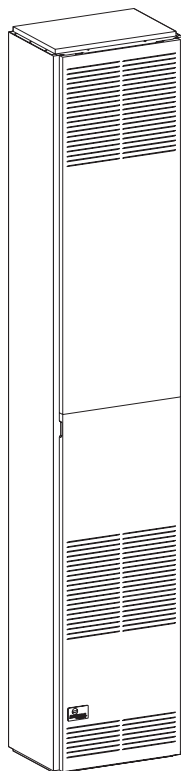




# INSTALLATION INSTRUCTIONS AND OWNER'S MANUAL



**FAN TYPE  
DIRECT VENT  
WALL FURNACE  
MODEL  
DVC55SPPXLP-1  
DVC55SPPXNAT-1**



**Installer:** Leave this manual with the appliance.  
**Consumer:** Retain this manual for future reference.

**WARNING:** If the information in these instructions are not followed exactly, a fire or explosion may result causing property damage, personal injury or loss of life.

- Do not store or use gasoline or other flammable vapors and liquids in the vicinity of this or any other appliance.
- **WHAT TO DO IF YOU SMELL GAS**
  - Do not try to light any appliance.
  - Do not touch any electrical switch; do not use any phone in your building.
  - Immediately call your gas supplier from a neighbor's phone. Follow the gas supplier's instructions.
  - If you cannot reach your gas supplier, call the fire department.
- Installation and service must be performed by a qualified installer, service agency or the gas supplier.

**WARNING:** If not installed, operated and maintained in accordance with the manufacturer's instructions, this product could expose you to substances in fuel or from fuel combustion which can cause death or serious illness.

This appliance may be installed in an aftermarket, permanently located, manufactured home (USA only) or mobile home, where not prohibited by state or local codes.

This appliance is only for use with the type of gas indicated on the rating plate. This appliance is not convertible for use with other gases, unless a certified kit is used.

# TABLE OF CONTENTS

SECTION	PAGE
Important Safety Information.....	3
Safety Information for Users of LP Gas .....	4
Requirements for Massachusetts.....	5
Introduction .....	6
Specifications .....	6
Gas Supply.....	7-8
Clearances .....	8
Installation Instructions.....	9-11
Lighting Instructions .....	12
Pilot Flame Characteristics .....	13
Main Burner Flame Characteristics .....	13
Wiring .....	14
Service and Maintenance Suggestions.....	15
Parts List .....	16
Parts View .....	17
Master Parts Distributor List.....	18
How To Order Repair Parts .....	18
Service Notes.....	19

# IMPORTANT SAFETY INFORMATION

## THIS IS A HEATING APPLIANCE

DO NOT OPERATE THIS APPLIANCE WITHOUT FRONT PANEL INSTALLED.

- Due to high temperatures the appliance should be located out of traffic and away from furniture and draperies.
- Children and adults should be alerted to the hazards of high surface temperatures and should stay away to avoid burns or clothing ignition.
- Young children should be carefully supervised when they are in the same room as the appliance.
- Clothing or other flammable material should not be placed on or near the appliance.
- Any safety screen or guard removed for servicing an appliance must be replaced prior to operating the appliance.
- Keep burner and control compartment clean.
- Vent cap hot while furnace is in operation.
- Installation and repair should be done by a **QUALIFIED SERVICE PERSON**. The appliance should be inspected before use and at least annually by a qualified service person. More frequent cleaning may be required due to excessive lint from carpeting, bedding materials, etc. It is imperative that control compartments, burners and circulating air passageways of the appliance be kept clean.
- **DO NOT** put anything around the furnace that will obstruct the flow of combustion and ventilation air.
- **DO** keep the appliance area clear and free from combustible material, gasoline and other flammable vapors and liquids.
- **DO** examine venting system periodically and replace damaged parts.
- **DO** make a periodic visual check of pilot and burners. Clean and replace damaged parts.
- **CAUTION:** Pilot hole cover must be kept tightly closed during operation.
- **DO NOT** use this heater if any part has been under water. Immediately call a qualified service technician to inspect the heater and to replace any part of the control system and any gas control which has been under water.

# SAFETY INFORMATION FOR USERS OF LP-GAS

Propane (LP-Gas) is a flammable gas which can cause fires and explosions. In its natural state, propane is odorless and colorless. You may not know all the following safety precautions which can protect both you and your family from an accident. Read them carefully now, then review them point by point with the members of your household. Someday when there may not be a minute to lose, everyone's safety will depend on knowing exactly what to do. If, after reading the following information, you feel you still need more information, please contact your gas supplier.

## LP-GAS WARNING ODOR

**If a gas leak happens, you should be able to smell the gas because of the odorant put in the LP-Gas. That's your signal to go into immediate action!**

- Do not operate electric switches, light matches, use your phone. Do not do anything that could ignite the gas.
- Get everyone out of the building, vehicle, trailer, or area. Do that IMMEDIATELY.
- Close all gas tank or cylinder supply valves.
- LP-Gas is heavier than air and may settle in low areas such as basements. When you have reason to suspect a gas leak, keep out of basements and other low areas. Stay out until firefighters declare them to be safe.
- Use your neighbor's phone and call a trained LP-Gas service person and the fire department. Even though you may not continue to smell gas, do not turn on the gas again. Do not re-enter the building, vehicle, trailer, or area.
- **Finally**, let the service man and firefighters check for escaped gas. Have them air out the area before you return. Properly trained LP-Gas service people should repair the leak, then check and relight the gas appliance for you.

## NO ODOR DETECTED - ODOR FADE

Some people cannot smell well. Some people cannot smell the odor of the chemical put into the gas. You must find out if you can smell the odorant in propane. Smoking can decrease your ability to smell. Being around an odor for a time can affect your sensitivity or ability to detect that odor. Sometimes other odors in the area mask the gas odor. People may not smell the gas odor or their minds are on something else. Thinking about smelling a gas odor can make it easier to smell.

The odorant in LP-gas is colorless, and it can fade under some circumstances. For example, if there is an underground leak, the movement of the gas through soil can filter the odorant. Odorants in LP-Gas also are subject to oxidation. This fading can occur if there is rust inside the storage tank or in iron gas pipes.

The odorant in escaped gas can adsorb or absorb onto or into walls, masonry and other materials and fabrics in a room. That will take some of the odorant out of the gas, reducing its odor intensity.

LP-Gas may stratify in a closed area, and the odor intensity could vary at different levels. Since it is heavier than air, there may be more odor at lower levels. Always be sensitive to the slightest gas odor. If you detect any odor, treat it as a serious leak. Immediately go into action as instructed earlier.

## SOME POINTS TO REMEMBER

- Learn to recognize the odor of LP-gas. Your local LP-Gas Dealer can give you a "Scratch and Sniff" pamphlet. Use it to find out what the propane odor smells like. If you suspect that your LP-Gas has a weak or abnormal odor, call your LP-Gas Dealer.
- If you are not qualified, do not light pilot lights, perform service, or make adjustments to appliances on the LP-Gas system. If you are qualified, consciously think about the odor of LP-Gas prior to and while lighting pilot lights or performing service or making adjustments.
- Sometimes a basement or a closed-up house has a musty smell that can cover up the LP-Gas odor. Do not try to light pilot lights, perform service, or make adjustments in an area where the conditions are such that you may not detect the odor if there has been a leak of LP-Gas.
- Odor fade, due to oxidation by rust or adsorption on walls of new cylinders and tanks, is possible. Therefore, people should be particularly alert and careful when new tanks or cylinders are placed in service. Odor fade can occur in new tanks, or reinstalled old tanks, if they are filled and allowed to set too long before refilling. Cylinders and tanks which have been out of service for a time may develop internal rust which will cause odor fade. If such conditions are suspected to exist, a periodic sniff test of the gas is advisable. If you have any question about the gas odor, call your LP-gas dealer. A periodic sniff test of the LP-gas is a good safety measure under any condition.
- If, at any time, you do not smell the LP-Gas odorant and you think you should, assume you have a leak. Then take the same immediate action recommended above for the occasion when you do detect the odorized LP-Gas.
- If you experience a complete "gas out," (the container is under no vapor pressure), turn the tank valve off immediately. If the container valve is left on, the container may draw in some air through openings such as pilot light orifices. If this occurs, some new internal rusting could occur. If the valve is left open, then treat the container as a new tank. Always be sure your container is under vapor pressure by turning it off at the container before it goes completely empty or having it refilled before it is completely empty.

# REQUIREMENTS FOR MASSACHUSETTS

For all side wall horizontally vented gas fueled equipment installed in every dwelling, building or structure used in whole or in part for residential purposes, including those owned or operated by the Commonwealth and where the side wall exhaust vent termination is less than seven (7) feet above finished grade in the area of the venting, including but not limited to decks and porches, the following requirements shall be satisfied:

1. **INSTALLATION OF CARBON MONOXIDE DETECTORS.** At the time of installation of the side wall horizontal vented gas fueled equipment, the installing plumber or gasfitter shall observe that a hard wired carbon monoxide detector with an alarm and battery back-up is installed on the floor level where the gas equipment is to be installed. In addition, the installing plumber or gasfitter shall observe that a battery operated or hard wired carbon monoxide detector with an alarm is installed on each additional level of the dwelling, building or structure served by the side wall horizontal vented gas fueled equipment. It shall be the responsibility of the property owner to secure the services of qualified licensed professionals for the installation of hard wired carbon monoxide detectors
  - a. In the event that the side wall horizontally vented gas fueled equipment is installed in a crawl space or an attic, the hard wired carbon monoxide detector with alarm and battery back-up may be installed on the next adjacent floor level.
  - b. In the event that the requirements of this subdivision can not be met at the time of completion of installation, the owner shall have a period of thirty (30) days to comply with the above requirements; provided, however, that during said thirty (30) day period, a battery operated carbon monoxide detector with an alarm shall be installed.
2. **APPROVED CARBON MONOXIDE DETECTORS.** Each carbon monoxide detector as required in accordance with the above provisions shall comply with NFPA 720 and be ANSI/UL 2034 listed and IAS certified.
3. **SIGNAGE.** A metal or plastic identification plate shall be permanently mounted to the exterior of the building at a minimum height of eight (8) feet above grade directly in line with the exhaust vent terminal for the horizontally vented gas fueled heating appliance or equipment. The sign shall read, in print size no less than one-half (1/2) inch in size, **“GAS VENT DIRECTLY BELOW. KEEP CLEAR OF ALL OBSTRUCTIONS”**.
4. **INSPECTION.** The state or local gas inspector of the side wall horizontally vented gas fueled equipment shall not approve the installation unless, upon inspection, the inspector observes carbon monoxide detectors and signage installed in accordance with the provisions of 248 CMR 5.08(2)(a) 1 through 4.
  - (b) **EXEMPTIONS:** The following equipment is exempt from 248 CMR 5.08(2)(a)1 through 4:
    1. The equipment listed in Chapter 10 entitled “Equipment Not Required To Be Vented” in the most current edition of NFPA 54 as adopted by the Board; and
    2. Product Approved side wall horizontally vented gas fueled equipment installed in a room or structure separate from the dwelling, building or structure used in whole or in part for residential purposes.
  - (c) **MANUFACTURER REQUIREMENTS - GAS EQUIPMENT VENTING SYSTEM PROVIDED.** When the manufacturer of Product Approved side wall horizontally vented gas equipment provides a venting system design or venting system components with the equipment, the instructions provided by the manufacturer for installation of the equipment and the venting system shall include:
    1. Detailed instructions for the installation of the venting system design or the venting system components; and
    2. A complete parts list for the venting system design or venting system.
  - (e) A copy of all installation instructions for all Product Approved side wall horizontally vented gas fueled equipment, all venting instructions, all parts lists for venting instructions, and/or all venting design instructions shall remain with the appliance or equipment at the completion of the installation.

# INTRODUCTION

## Introduction

Always consult your local Building Department regarding regulations, codes or ordinances which apply to the installation of a direct vent wall furnace.

## Instructions to Installer

1. Installer must leave instruction manual with owner after installation.
2. Installer must have owner fill out and mail warranty card supplied with furnace.
3. Installer should show owner how to start and operate furnace.

### Warning:

**Any change to this furnace or its control can be dangerous. This is a heating appliance and any panel, door or guard removed for servicing an appliance must be replaced prior to operating the appliance.**

**To Conserve Gas: Turn off pilot when heater is not in use.**

## General Information

This furnace is design certified in accordance with American National Standard/CSA Standard Z21.86 and CSA 2.32 by the Canadian Standards Association, as a fan type direct vent wall furnace to be installed according to these instructions.

**Any alteration of the original design, installed other than as shown in these instructions or use with a type of gas not shown on the rating plate is the responsibility of the person and company making the change.**

## Important

All correspondence should refer to complete Model No., Serial No. and type of gas.

**Notice:** During initial firing of this unit, its paint will bake out and smoke will occur. To prevent triggering of smoke alarms, ventilate the room in which the unit is installed.

## Installation on Rugs and Tile

If this appliance is installed directly on carpeting, tile or other combustible material other than wood flooring the appliance shall be installed on a metal or wood panel extending the full width and depth of the appliance.

The base referred to above does not mean the fire-proof base as used on wood stoves. The protection is for rugs that are extremely thick and light colored tile.

## Installation in Residential Garages

Gas utilization equipment in residential garages shall be installed so that all burners and burner ignition devices are located not less than 18" above the floor.

Such equipment shall be located, or protected, so it is not subject to physical damage by a moving vehicle.

## Qualified Installing Agency

Installation and replacement of gas piping, gas utilization equipment or accessories and repair and servicing of equipment shall be performed only by a qualified agency. The term "qualified agency" means any individual, firm, corporation or company which either in person or through a representative is engaged in and is responsible for (a) the installation or replacement of gas piping or (b) the connection, installation, repair or servicing of equipment, who is experienced in such work, familiar with all precautions required and has complied with all the requirements of the authority having jurisdiction.

**State of Massachusetts:** The installation must be made by a licensed plumber or gas fitter in the Commonwealth of Massachusetts.

The installation must conform with local codes or, in the absence of local codes, with the *National Fuel Gas Code ANSI Z223.1/NFPA 54\* Natural Gas and Propane Installation Code, CSA B149.1.*

*\*Available from the American National Standards Institute, Inc., 11 West 42nd St., New York, N.Y. 10036.*

## High Altitudes

For altitudes/elevations above 2,000 feet, input ratings should be reduced at the rate of 4 percent for each 1,000 feet above sea level.

**Canadian High Altitudes** for locations having an elevation above mean sea level between 2,000 feet (610m) and 4,500 feet (1370m), the manifold pressure is to be decreased from 4.0" w.c. to 3.2" w.c. for Natural Gas and from 10.0" w.c. to 8.0" w.c. for Propane Gas.

## Piezo Pilot Ignitor Instructions

Depressing the red button completely causes a spark to occur at the pilot. This is a substitute for a match which requires opening the pilot hole cover.

To light the pilot, it is important that the electrode be 1/8" from the thermocouple. The spark must occur at the point the burner flame hits the thermocouple. The end of the electrode will be red hot with the pilot on.

On a new installation with air in the gas line, it is suggested that a match be used. The match will light the pilot faster than the piezo under this condition.

# SPECIFICATIONS

Model	DV-55SPP
Input BTU/HR	55,000
Height	82 3/8"
Width	16"
Depth	11 1/2"
Gas Inlet	1/2" Pipe
CFM	400
<b>Accessories</b>	
SOR-1	Register Side Outlet
SOK-1	Side Outlet Kit, 10" Boot Assembly with Register
DV-822	Vinyl Siding Vent Kit



# GAS SUPPLY

## Locating Gas Supply

The gas line can enter the unit either through the floor or outside wall. The gas line opening should be made at this time. Location of the opening will be determined by the position of floor joists and the valve and union used for servicing.

### Recommended Gas Pipe Diameter

Pipe Length	Schedule 40 Pipe Inside Diameter		Tubing, Type L Outside Diameter	
	Nat.	L.P.	Nat.	L.P.
0-10 feet 0-3 meters	1/2"	3/8"	1/2"	3/8"
	12.7 mm	9.5mm	12.7 mm	9.5 mm
10-40 feet 4-12 meters	1/2"	1/2"	5/8"	1/2"
	12.7 mm	12.7mm	15.9 mm	12.7 mm
40-100 feet 13-30 meters	1/2"	1/2"	3/4"	1/2"
	12.7 mm	12.7mm	19 mm	12.7 mm
100-150 feet 31-46 meters	3/4"	1/2"	7/8"	3/4"
	19 mm	12.7 mm	22.2 mm	19 mm

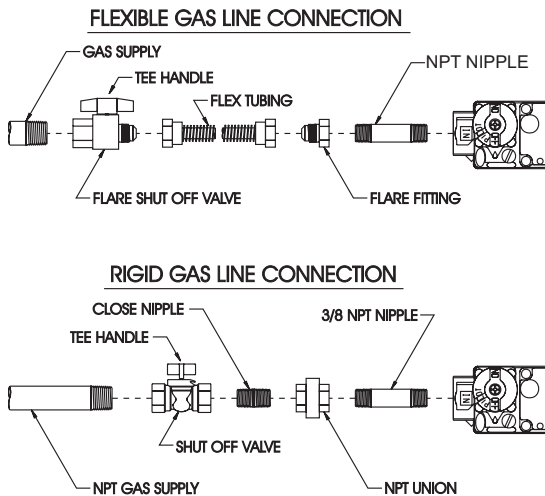
**Note:** Never use plastic pipe. Check to confirm whether your local codes allow copper tubing or galvanized.

**Note:** Since some municipalities have additional local codes, it is always best to consult your local authority and installation code.

The use of the following gas connectors is recommended:

- ANS Z21.24 Appliance Connectors of Corrugated Metal Tubing and Fittings
- ANS Z21.45 Assembled Flexible Appliance Connectors of Other Than All-Metal Construction

The above connectors may be used if acceptable by the authority having jurisdiction. The state of Massachusetts requires that a flexible appliance connector cannot exceed three feet in length.



**Figure 1**

Consult the current National Fuel Gas Code, ANSI Z223.1 CAN/CGA-B149 (.1 or .2) installation code.

## Installing a New Main Gas Cock

Each appliance should have its own manual gas cock.

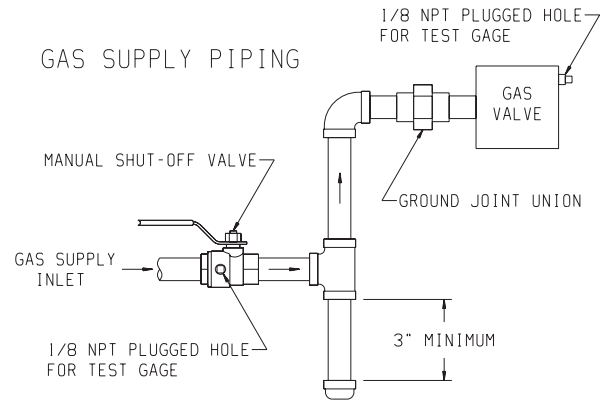
A manual main gas cock should be located in the vicinity of the unit. Where none exists, or where its size or location is not adequate, contact your local authorized installer for installation or relocation.

Compounds used on threaded joints of gas piping shall be resistant to the action of liquefied petroleum gases.

The gas lines must be checked for leaks by the installer. This should be done with a soap solution watching for bubbles on all exposed connections, and if unexposed, a pressure test should be made.

**Never use an exposed flame to check for leaks. Appliance must be disconnected from piping at inlet of control valve and pipe capped or plugged for pressure test. Never pressure test with appliance connected; control valve will sustain damage!**

A gas valve and ground joint union should be installed in the gas line upstream of the gas control to aid in servicing. It is required by the National Fuel Gas Code that a drip line be installed near the gas inlet. This should consist of a vertical length of pipe tee connected into the gas line that is capped on the bottom in which condensation and foreign particles may collect.



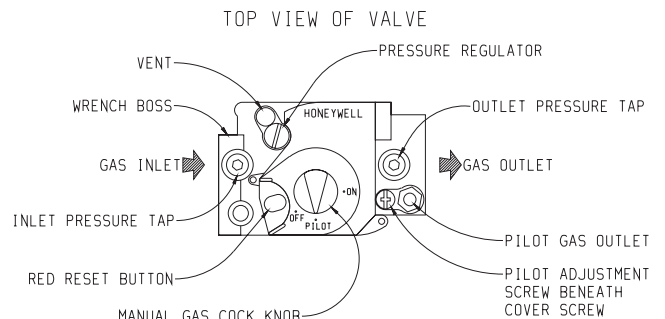
**Figure 2**

## Method of Installing a Tee Fitting Sediment Trap

### Pressure Testing of the Gas Supply System

1. To check the inlet pressure to the gas valve, a 1/8" (3mm) N.P.T. plugged tapping, accessible for test gauge connection, must be placed immediately upstream of the gas supply connection to the appliance.
2. The appliance and its individual shutoff valve must be disconnected from the gas supply piping system during any pressure testing of that system at test pressures in excess of 1/2 psig (3.5 kPa).
3. The appliance must be isolated from the gas supply piping system by closing its individual manual shutoff valve during any pressure testing of the gas supply piping system at test pressures equal to or less than 1/2 psig (3.5 kPa).

**Attention!** If one of the above procedures results in pressures in excess of 1/2 psig (14" w.c.) (3.5 kPa) on the appliance gas valve, it will result in a hazardous condition.



**Figure 3**

# GAS SUPPLY

## Checking Manifold Pressure

Both Propane and Natural gas valves have a built-in pressure regulator in the gas valve. Natural gas models will have a manifold pressure of approximately 4.0" w.c. at the valve outlet with the inlet pressure to the valve from a minimum of 6.0" w.c. for the purpose of input adjustment to a maximum of 7.0" w.c. Propane gas models will have a manifold pressure approximately 10.0" w.c. at the valve outlet with the inlet pressure to the valve from a minimum of 11.0" w.c. for the purpose of input adjustment to a maximum of 13.0" w.c.

A 1/8" N.P.T. plugged tapping, accessible for test gauge connection, is located on the outlet side of the gas control.

The built-in regulator comes on at approximately 1/4th pressure and full on in 10 seconds.

# CLEARANCES

1. In selecting a location for installation, it is necessary to provide adequate accessibility clearances for servicing and proper installation.
2. The DV-55 minimum wall depth is 4 1/2 inches and maximum wall depth is 13 inches. The maximum wall depth may be extended to 19" (483mm) using the model DV-1190 extended flue kit. The use of tubes not supplied by the manufacturer results in unsatisfactory performance.
3. The DV-55 can be attached to the wall or recessed into the wall up to 4 inches in depth but the minimum 4 1/2 inches vent/air intake system wall depth must be maintained. Example: If furnace is recessed into the wall at a depth of 4 inches, the minimum wall depth must be 8 1/2 inches.
4. The wall in which the furnace is recessed has (0) zero clearance to the furnace sides and top.
5. When using side discharge registers, SOR-1 or SOK-1, the furnace cannot be recessed into the wall.
6. Clearance to sidewall or combustible material is 4 inches.
7. Ceiling clearance is 4 inches.
8. Floor and rear wall clearance is (0) zero inches.
9. Clearance of 18 inches is required to sidewall or combustible material when flush mounted SOR-1, side outlet register is used. See Figure 4.
10. The minimum distance from the center of the vent cap to the nearest outside corner or obstruction is 24 inches.

The vent terminal of a direct vent appliance with an input over 50,000 BTU per hour shall be located at least 12 inches from any opening through which flue gases could enter a building. The bottom of the vent terminal and the air intake shall be located at least 12 inches above grade.

**WARNING: The nearest point of the vent cap should be a minimum horizontal distant of six (6) feet from any pressure regulator. In case of regulator malfunction, the six (6) feet distance will reduce the chance of gas entering the vent cap.**

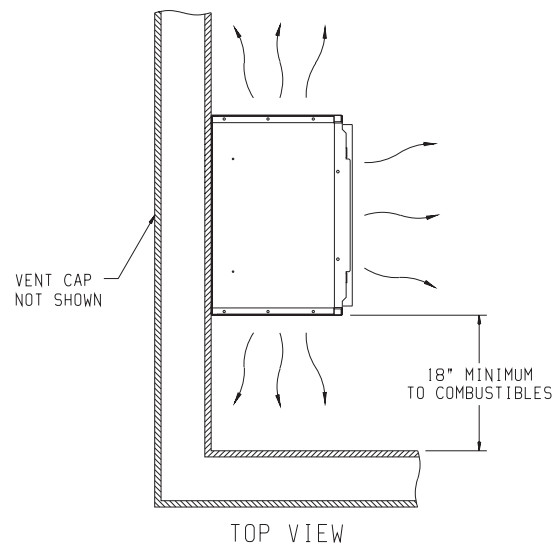


Figure 4



# INSTALLATION INSTRUCTIONS

## Locating Wall Opening

The furnace is to be located on an outside wall. Locate wall studs so that wall opening will be located between wall studs. The furnace is 16 inches in width and normal 16 inches on center studs will not allow the furnace to be recessed into the wall unless a stud is repositioned. The wall opening required as shown in Figure 5 is a diameter of 7 1/2 inches.

A template is provided in furnace carton for positioning furnace on the wall. Also, refer to Figure 5 for positioning the furnace on wall and for locating gas line connection.

## Installing Optional Side Outlets

Side outlet register, SOR-1 may be installed on one or both sides of the furnace at the required clearances of 18 inches to adjacent wall or combustible material as shown in Figure 4.

1. Locate and cut the 5 1/2" square opening in the cabinet side using the template from the kit, exposing the inner liner knock-out.
2. Remove the knock-out.
3. Place the register on the 5 1/2" opening with the louvers set for the desired direction and mark the mounting holes using the register as a template.
4. Drill (2) 1/8" diameter holes in cabinet side and fasten the register in place with (2) #10 x 1" screws provided.

Side outlet kit, 10" boot assembly with register, SOK-1 for warm air discharge into an adjoining room may be installed on either side of the furnace at the required clearance of 4 inches to adjacent wall as shown in Figure 7.

1. Locate and cut the 5 1/2" square opening in the cabinet side using the template from the kit, exposing the inner liner knock-out.
2. Remove the knock-out.
3. Using the inner and outer boots as hole templates, mark and drill (8) 1/8" diameter holes in the inner liner and cabinet side.
4. Using Figure 7 locate and cut a 6 3/4" square opening through walls.
5. Prepare wall opening for the vent-air intake system (see **Locating Wall Opening**).
6. With furnace in place, after checking alignment of side outlet opening in wall and furnace, place the 9 3/8" x 9 3/8" side outlet wall plate over outer boot, pass the outer boot through the wall and attach side outlet wall plate to furnace side of wall with (2) #10 x 1" screws provided.
7. Fasten outer boot to the cabinet side with (4) #8 x 1/4" screws provided.
8. Position and attach inner boot to inner liner with (4) #8 x 1/4" screws provided.
9. Locate the register with its louvers positioned for the desired air discharge direction and mark the mounting holes using the register as a template.
10. Drill (2) 1/8" diameter holes in the wall and fasten the register in place with (2) #10 x 1" screws provided.

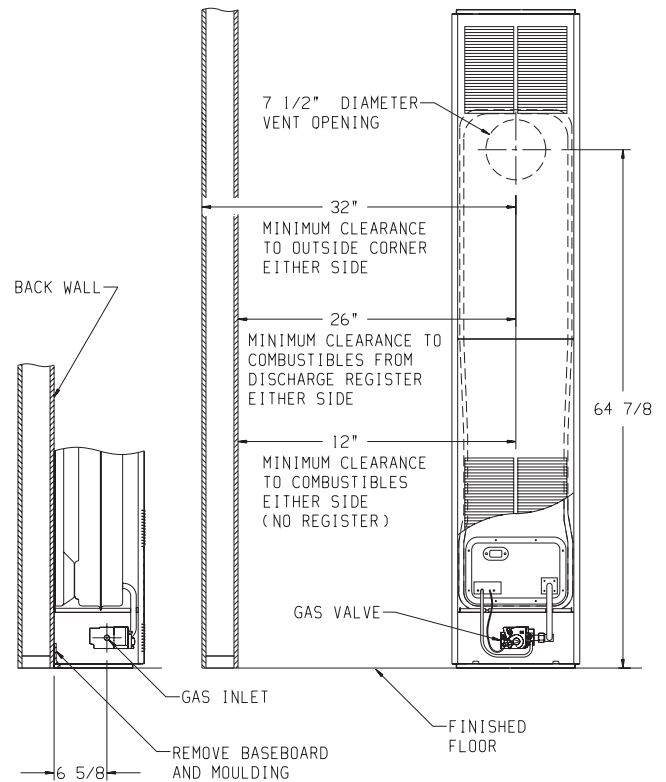


Figure 5

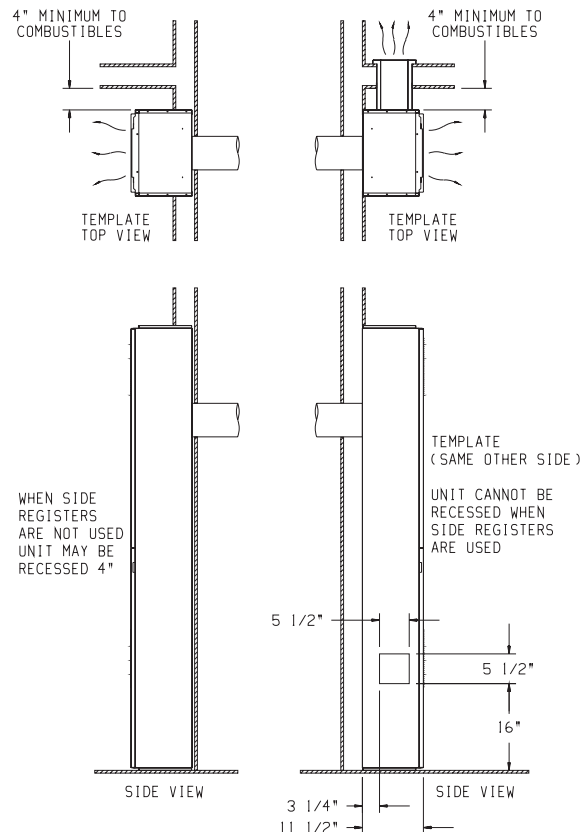


Figure 6

Figure 7

# INSTALLATION INSTRUCTIONS (continued)

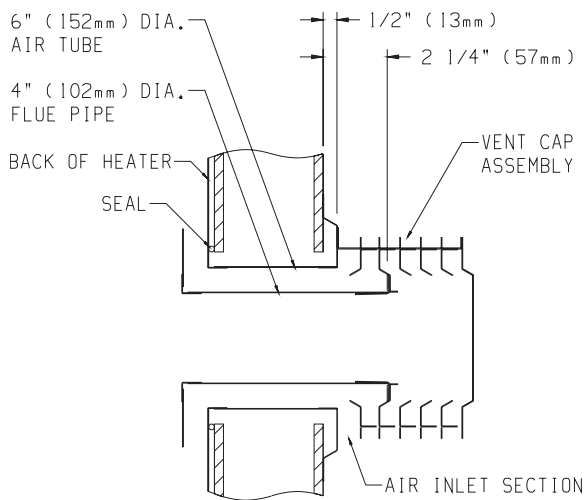


Figure 8

## Locating Electric Supply

A 7/8" diameter knockout is provided at the bottom of the left and right side panels. A three-prong (grounding) plug assembly is located within the control compartment (bottom) of the furnace. Please remove 7/8" knockout from appropriate side panel when routing plug assembly to an electrical outlet.

## Installation of Three-prong (Grounding) Plug Assembly

1. Disconnect nylon cap on 3' plug assembly from nylon plug on wiring harness. Remove 3' plug assembly from control compartment (bottom) of the furnace.
2. Remove 7/8" knockout from appropriate side panel.
3. Insert nylon cap on 3' plug assembly into the 7/8" hole in the side panel.
4. Connect nylon cap on 3' plug assembly to nylon plug on the wiring harness.
5. Place 7/8" strain relief bushing around the cord of the 3' plug assembly. Insert 7/8" strain relief bushing into the 7/8" hole in the side panel.

**Attention!** The 7/8" strain relief bushing is located within the same envelope as the Installation Instructions and Owner's Manual.

## Attaching Furnace to Wall

Refer to Figure 5 for the location of the 7 1/2" diameter wall opening for the furnace. After the wall opening has been located and cut, position flue outlet on furnace in center of wall opening. When attaching furnace to the wall remove that portion of baseboard and molding on the wall which is behind the furnace. Attach furnace to wall, at the outer casing top, with (2) toggle bolts provided and to floor, at the outer casing bottom, with (2) #10 x 1 1/2" screws provided.

**Attention!** The screw holes on the outer casing bottom are off-set above the floor approximately 3/8". Do not over-tighten screws and distort the off-set on the outer casing bottom. Distortion of the outer casing bottom will not allow the lower front panel to be attached to the furnace.

## Cutting Vent Tubes

This is the most important part of the installation. With the furnace installed on wall the 6" diameter air inlet tube and the 4" diameter flue outlet tube are to be marked and cut using the following procedure.

1. Attach 6" diameter air inlet tube onto the collar of air drop assembly. Be sure 6" diameter air inlet tube is placed as far as possible onto the collar of the air drop assembly. Mark the 6" diameter air inlet tube 1/2" beyond the outside wall. Remove 6" diameter air inlet tube from collar of air drop assembly.
2. Attach 4" diameter flue outlet tube onto flue outlet collar on combustion chamber. Be sure 4" diameter flue outlet tube is placed as far as possible onto the collar of flue outlet. Mark the 4" diameter flue outlet tube 2 1/4" beyond the outside wall. Remove 4" diameter flue outlet tube from collar of flue outlet on combustion chamber.
3. Mark or wrap tape completely around the tubes at the marked points to help in making a true cut. Do not crimp or enlarge tubes.

## Installing Vent Assembly

1. Place caulking (not provided) beneath the edge of the outside mounting plate. Use additional caulking to correct uneven wall surface, such as clapboard.
2. Attach 6" diameter air inlet tube onto the collar of air drop assembly. Attach caulked, outside mounting plate into the 6" diameter air inlet tube. Position the outside mounting plate so that 6" diameter air inlet tube has a slight downward slope to the outside. **The downward slope is necessary to prevent the entry of rainwater.** Attach outside mounting plate to exterior wall with (4) #10 x 1 1/2" screws provided.
3. Apply furnace cement to 4" diameter flue outlet collar on combustion chamber and to 4" diameter collar on vent cap. Attach 4" diameter flue outlet tube onto flue outlet collar on combustion chamber. Attach vent cap into the 4" diameter flue outlet tube. Attach vent cap to outside mounting plate with (3) #10 x 1/2" screws provided.
4. Installation is completed.

## Reassembly And Resealing Vent-Air Intake System

When vent-air intake system is removed for servicing the furnace, the following steps will assure proper reassembly and resealing of the vent-air intake assembly.

1. Remove old caulking beneath the edge of the outside mounting plate. Apply new caulking beneath the edge of the outside mounting plate. Use additional caulking to correct uneven wall surface, such as clapboard.
2. Remove old furnace cement from flue outlet collar on combustion chamber and collar of vent cap. Remove old furnace cement from both ends of 4" diameter flue outlet tube.
3. Attach 6" diameter air inlet tube onto the collar of air drop assembly. Attach caulked, outside mounting plate into the 6" diameter air inlet tube. Position the outside mounting plate so that 6" diameter air inlet tube has a slight downward slope to the outside. **The downward slope is necessary to prevent the entry of rainwater.** Attach outside mounting plate to exterior wall with (4) #10 x 1" screws provided.
4. Apply furnace cement to 4" diameter flue outlet collar on combustion chamber and to 4" diameter collar on vent cap. Attach 4" diameter flue outlet tube onto flue outlet collar on combustion chamber. Attach vent cap into the 4" diameter flue outlet tube. Attach vent cap to outside mounting plate with (3) #10 x 1/2" screws provided.
5. Reassembly and resealing vent-air intake system is completed.

# INSTALLATION INSTRUCTIONS (continued)

## Installing a Vent Near a Window Ledge,

### Other Type of Projection or on Siding (vinyl, aluminum, etc.)

Direct vent furnaces are designed to be installed on a uniform outside wall. When the wind comes from any angle (up, down or from either side), it must hit the vent cap equally over both the air inlet and the flue outlet portions of the vent. Any wall projection, such as a door or window casing, which disturbs the wind on one side of the air inlet section will result in back pressure on the flue section smothering the flame and eventual pilot outage.

When the vent cap is to be installed on siding or it appears that a projection within 6" of any side of the air inlet section could shield the air inlet section, the entire vent should be supported away from the wall at least the distance of the projection. 2" x 4" framing whose outside dimensions match the overall dimensions of the mounting plate is recommended. The 2" x 4" framing protects siding from possible warpage or discoloration. All joints can then be sealed and painted. The wall depth plus the additional depth of the 2" x 4" framing should not exceed a total depth of 13" for DV-55. (See Figure 9)

Vinyl siding vent kit, DV-822, is available from Empire Comfort Systems, Inc. The depth is 3", which enables the vent cap to be extended away from siding or projections. The wall depth plus the additional 3" depth of the vinyl siding vent cap extension should not exceed a total depth of 13" for DV-55. (See Figure 10)

**Warning:** When vinyl siding vent kit, DV-822 or 2" x 4" framing is added to an existing installation (furnace is installed) do not attempt to add sections of pipe to the flue outlet tube or air inlet tube. An air tight seal is required for both tubes. Refer to Parts List, page 16 to order tubes.

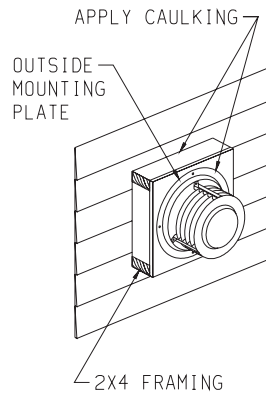


Figure 9

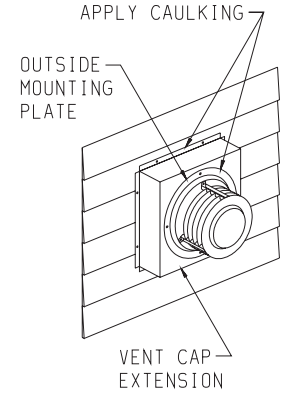


Figure 10


# LIGHTING INSTRUCTIONS

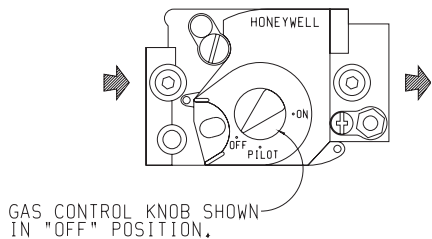
## FOR YOUR SAFETY READ BEFORE LIGHTING

**WARNING:** If you do not follow these instructions exactly, a fire or explosion may result causing property damage, personal injury or loss of life.

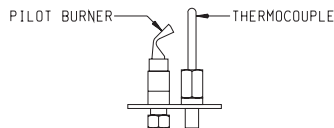
- A. This appliance has a pilot which must be lighted by hand. When lighting the pilot, follow these instructions exactly.
- B. **BEFORE LIGHTING** smell all around the appliance area for gas. Be sure to smell next to the floor because some gas is heavier than air and will settle on the floor.  
**WHAT TO DO IF YOU SMELL GAS**
  - Do not try to light any appliance.
  - Do not touch any electrical switch; do not use any phone in your building.
  - Immediately call your gas supplier from a neighbor's phone. Follow the gas supplier's instructions.
  - If you cannot reach your gas supplier, call the fire department.
- C. Use only your hand to push in or turn the gas control knob. Never use tools. If the knob will not push in or turn by hand, don't try to repair it; call a qualified service technician. Force or attempted repair may result in a fire or explosion.
- D. Do not use this appliance if any part has been under water. Immediately call a qualified service technician to inspect the appliance and to replace any part of the control system and any gas control which has been under water.



## LIGHTING INSTRUCTIONS

1. **STOP!** Read the safety information above.
2. Turn off all electric power to the appliance.
3. Remove control access panel (lower front panel).
4. Turn gas control knob clockwise  to "OFF."




5. Wait ten (10) minutes to clear out any gas. Then smell for gas, including near the floor. If you smell gas, **STOP!** Follow "B" in the safety information above. If you don't smell gas, go to the next step.
6. Remove the pilot access cover located on the combustion chamber.
7. Find pilot - follow metal tube from gas control. The pilot is located between the two burner tubes behind the pilot access cover.



8. Turn gas control knob counterclockwise  to "PILOT."
9. Push and hold red reset button down completely and repeatedly push the ignitor button until the pilot burner is lit. Pilot may also be lit with a match. Continue to hold the red reset button down for about one (1) minute after the pilot is lit. Release button and it will pop back up. Pilot should remain lit. If it goes out, repeat steps 5 through 10.
  - If button does not pop up when released, stop and immediately call a qualified service technician or gas supplier.
  - If the pilot will not stay lit after several tries, turn the gas control knob to "OFF" and call your service technician or gas supplier.
10. Replace pilot access cover.
11. Turn gas control knob counterclockwise  to "ON."
12. Replace control access panel (lower front panel).
13. Turn on all electric power to the appliance.

## TO TURN OFF GAS TO APPLIANCE

1. Turn off all electric power to appliance if service is to be performed .
2. Remove control access panel (lower front panel).
3. Push in gas control knob slightly and turn clockwise  to "OFF." Do not force.
4. Replace control access panel (lower front panel).

# PILOT FLAME CHARACTERISTICS

The correct pilot flame (Figure 11) will be blue, extending past the thermocouple. The flame will surround the thermocouple just below the tip.

Natural gas pilots require adjusting when the inlet gas pressure is above 5" w.c. Remove the pilot cover screw on the control valve (Figure 3, page 8), and turn the adjustment screw clockwise to reduce flame. Replace pilot cover screw to eliminate gas leaking at that control valve opening.

LP gas (propane) will not require adjustment.

After use, cleaning may be required for the proper flame.

## PROPER FLAME ADJUSTMENT

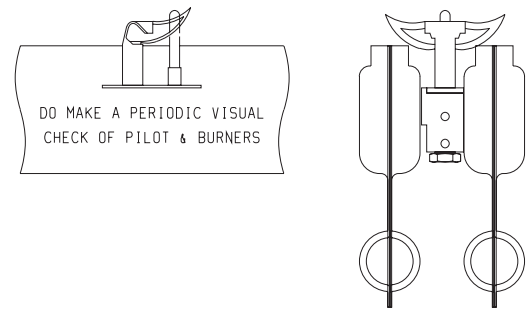


Figure 11

# MAIN BURNER FLAME CHARACTERISTICS

The correct flame will be a short blue inner flame with a much larger light blue outer flame. The main burner (Figure 12) shows the approximate height of each part of the flame for each gas. The burner does not have a primary air adjustment. The flame will be correct if the factory-set pressure and orifice opening are used. After the furnace has been operating, the burner ports may be blocked by foreign matter carried in by combustion air. Therefore, cleaning of the burner may be needed for proper flame.

To clean burner port disconnect the gas supply to the valve, and remove the eight screws fastening the burner door. After removing the burner door from the combustion chamber, remove rear burner, pilot burner and front burner. With front and rear burners removed from furnace, force water into the ribbon ports and dry with air pressure.

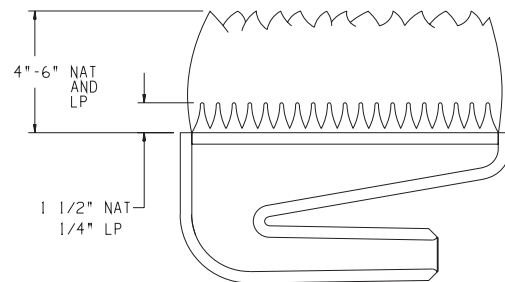


Figure 12

# WIRING

## Wiring

The appliance, when installed, must be electrically grounded in accordance with local codes or, in the absence of local codes, with the *National Electrical Code, ANSI/NFPA 70* or *Canadian Electrical Code, CSA C22.1*, if an external electrical source is utilized. **This appliance is equipped with a three-prong [grounding] plug for your protection against shock hazard and should be plugged directly into a properly grounded three-prong receptacle. Do not cut or remove the grounding prong from this plug.** For an ungrounded receptacle, an adapter, which has two prongs and a wire for grounding, can be purchased, plugged into the ungrounded receptacle and its wire connected to the receptacle mounting screw. With this wire completing the ground, the appliance cord plug can be plugged into the adapter and be electrically grounded. A 7/8" hole is provided in the junction box for use with a conduit connector if local codes require this type of protection.

**CAUTION:** Label all wires prior to disconnection when servicing controls. Wiring errors can cause improper and dangerous operation. Verify proper operation after servicing.

**To Conserve Gas: Turn off pilot when heater is not in use.**

## Installing the ON/OFF Device

To install an ON/OFF device (such as a wall switch, remote, toggle switch, or thermostat), remove the wire nut from the two wires from the valve. Run additional wire from the valve wires to the ON/OFF device. Install the ON/OFF device in the same room as the furnace following the installation instructions supplied with it. In the absence of instructions, install the ON/OFF device 4 to 5 feet above the floor on an interior wall not affected by another heating source (i.e. stove or water heater) or the temperature of an adjoining room.

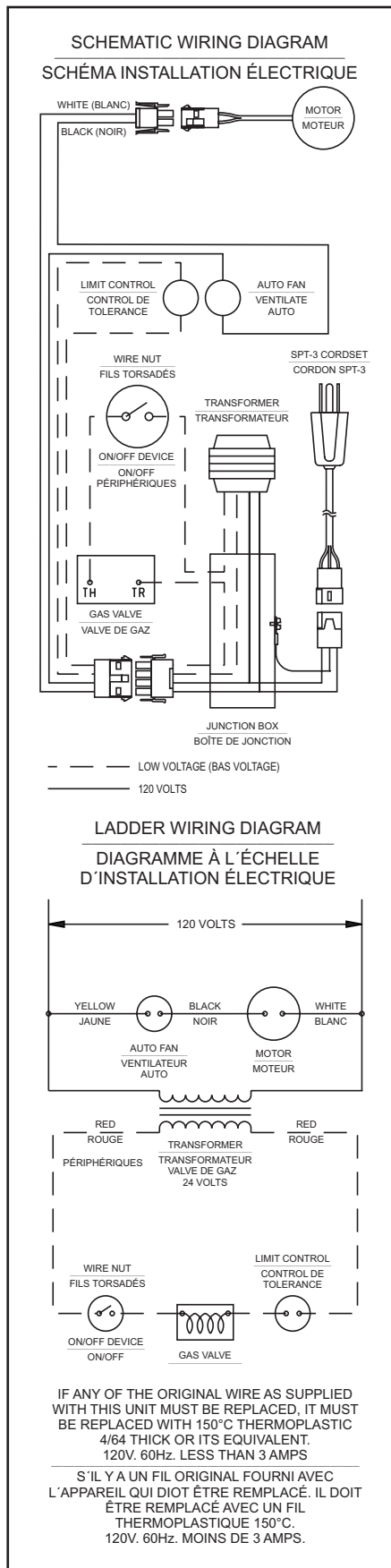


Figure 13



# SERVICE & MAINTENANCE SUGGESTIONS

## Replacing Fan and Oiling the Motor

The fan motor should be cleaned and oiled once each heating season. To reach the motor, withdraw the metal shroud surrounding the fan blade by removing the screws on each side. Oil holes are located on the top at each end of the motor. Use a few drops of #10 motor oil. To clean the motor, blow air through its ventilation openings with a vacuum cleaner or low pressure air source.

If fan motor is replaced, the silicone rubber gaskets, see Page 16, Index No. 4, Part No. 712059, should also be replaced. The gaskets must be stretched to fit the motor bolts into the gasket holes and then the motor and gaskets installed on the motor mounting bars.

**GENERAL :** All furnaces have been fire-tested to check for proper operation. This includes, main burner flame, pilot flame, fan operation, fan control, limit control and automatic valve operation. If the furnace fails to function on initial installation, it is advisable to re-check the following:

1. 115 volts to the junction box.
2. Inlet gas pressure.
3. The 24 volt system.
4. Type of gas being used and that shown on the rating label.

The Service Department at Empire Comfort Systems, Inc. may be contacted to assist in servicing furnace or call a qualified serviceman..

**Servicing the Pilot and Main Burners, Pilot Orifice, Thermocouple, and Main Burner Orifices:** Disconnect the gas supply at the inlet to the control valve. Then remove the burner door to which the above components are attached.

**Servicing The Fan Motor:** The upper front panel, the shroud surrounding the fan blade and fan blade must be removed. See "Replacing Fan and Oiling the Motor" paragraph above.

**Spark Igniter Does Not Light Pilot:** With air in the gas line, such as when the furnace is first installed or was off all summer, the pilot flame may be too lean to ignite on the first few trials. Turn the control valve knob to pilot position and depress the red reset button. Holding the button down continually to bleed the line:

1. Use lighter rod to light pilot with a match.
2. Use the piezo ignitor at 30 second intervals until it lights.

## If Electrode Does Not Produce Spark:

1. Check wire connections.
2. Check gap for pilot burner to the electrode tip. Should be between 1/8" and 3/16". Electrode wire and tip must be more than 1/4" away from all other metal components.

## If Pilot Does Not Light By Any Means:

1. Check valve knob for being in the "Pilot" position.
2. Check pilot adjustment for being full open (counterclockwise to open).
3. If gas is available in the supply tubing, the pilot orifice and/or pilot burner is probably restricted by a spider web. Clean pilot assembly and relight.

## If Pilot Does Not Remain On After Releasing Knob:

1. Follow instructions and hold button down longer and harder.
2. Determine if pilot flame extends past thermocouple; if not, adjust input or clean pilot burner.
3. Replace thermocouple if millivolts read less than 15 millivolts.

## Pilot Outage During Normal Operation:

1. Check air inlet tube for a good tight fit at both ends (6" diameter tube).
2. Check burner door and pilot hole cover for tight seal.
3. Check input by manifold pressure gauge or gas meter.

## Main Gas Valve Does Not Open When The ON/OFF Device Is Turned To On:

1. Check for 24 volts to valve by removing one wire and touching to the **SAME TERMINAL** it was on. Terminal should have a light spark.
2. To check for line voltage to furnace, remove lower front panel and switch compartment cover and short across two-terminal fan control to allow fan to operate. (Figure 13)

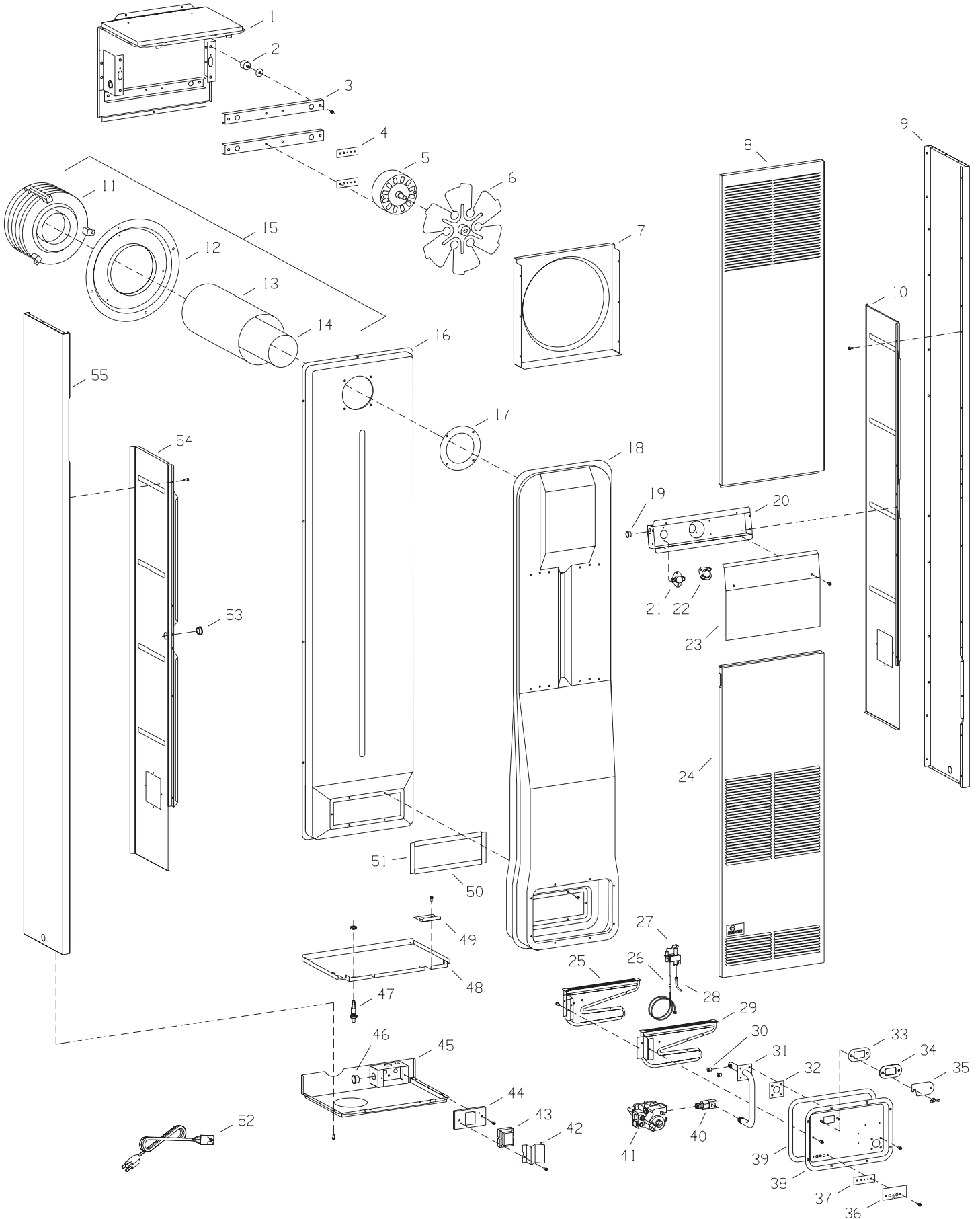
# PARTS LIST

**PLEASE NOTE:** When ordering parts, it is very important that **part number** and **description** of part coincide.

Index No.	Part No.	Description	Index No.	Part No.	Description
1	11762	Outer Casing Top	35	DV064	Cover Plate for Observation Hole
2	R618	Motor Mount (Four Required)	36	DV775	Seal Bracket
3	11764	Motor Mounting Bar (Two Required)	37	M147	Gasket Tubing Seal
4	M147	Gasket (Two Required)	38	DV847	Burner Door Natural Gas
5	R619	Motor	38	DV972	Burner Door LP Gas
6	11787	Fan Blade	39	DV779	Gasket for Burner Door
7	11766	Fan Housing	40	P112	Manifold Union
8	DV559	Upper Front Panel	41	R5655	Gas Valve VR8200C LP Gas
9	11759	Side Panel	41	R2148	Gas Valve VR8200C Natural Gas
10	DV613	Right Inner Shield	42	UH810	Transformer Mounting Bracket
11	DV725	Vent Cap	43	R1995	Transformer
12	DV131	Outside Mounting Plate	44	UH451	Junction Box Cover
13	DV548	Air Inlet Tube	45	DV967	Outer Casing Bottom
14	DV524	Flue Outlet Tube	46	R1515	Bushing
15	DV600	Vent Kit Complete (Nos. 11, 12, 13, 14)	47	R2708	Piezo Ignitor
16	DV1386	Air Drop	48	DV571	Control Compartment Divider
17	M96	Gasket for Flue Outlet Flange	49	DV671	Manifold Support
18	DV579C	Combustion Chamber	50	DV765	Gasket for Chamber Air Inlet (Top & Bottom) (Two Required)
19	R1536	Bushing	51	DV764	Gasket for Chamber Air Inlet (Sides) (Two Required)
20	11765	Switch Compartment Assembly	52	R690	Cord Set
21	R630	Limit Control	53	R1404	Bushing
22	R1941	Fan Control	54	DV614	Left Inner Shield
23	DV832	Switch Compartment Cover	55	11759	Side Panel
24	DV562	Lower Front Panel	Not Shown	R9832	Wiring Assembly Upper
25	DV826	Rear Burner	Not Shown	R9833	Wiring Assembly Lower
26	R685	Thermocouple	Not Shown	R734	Lighter Rod
27	R622L	Pilot with Orifice LP Gas	Not Shown	742265	Pilot Orifice LP Gas
27	R622N	Pilot with Orifice Natural Gas	Not Shown	R3469	Pilot Orifice Natural Gas
28	DV808	Pilot Tubing			
29	DV824	Front Burner			
30	P8842	Main Burner Orifice Natural Gas (Two Required)			
30	P8853	Main Burner Orifice LP Gas (Two Required)			
31	DV687	Manifold and Plate Assembly			
32	M148	Manifold Gasket			
33	M155	Gasket for Observation Hole Cover			
34	DV781	Lighting Hole Cover w/Mica			

**USE ONLY MANUFACTURER'S REPLACEMENT PARTS. USE OF ANY OTHER PARTS COULD CAUSE INJURY OR DEATH.**

# PARTS VIEW



# MASTER PARTS DISTRIBUTOR LIST

To Order Parts Under Warranty, please contact your local Empire dealer. See the dealer locator at [www.empirecomfort.com](http://www.empirecomfort.com). To provide warranty service, your dealer will need your name and address, purchase date and serial number, and the nature of the problem with the unit.

To Order Parts After the Warranty Period, please contact your dealer or one of the Master Parts Distributors listed below. This list changes from time to time. For the current list, please click on the Master Parts button at [www.empirecomfort.com](http://www.empirecomfort.com).

Please note: Master Parts Distributors are independent businesses that stock the most commonly ordered Original Equipment repair parts for Heaters, Grills, and Fireplaces manufactured by Empire Comfort Systems Inc.

## Dey Distributing

1401 Willow Lake Boulevard  
Vadnais Heights, MN 55101

**Phone:** 651-490-9191

**Toll Free:** 800-397-1339

**Website:** [www.deydistributing.com](http://www.deydistributing.com)

**Parts:** Heater, Hearth and Grills

## Victor Division of F. W. Webb Company

200 Locust Street  
Hartford, CT 06114

**Phone:** 860-722-2433

**Toll Free:** 800-243-9360

**Fax:** 860-293-0479

**Toll Free Fax:** 800-274-2004

**Websites:** [www.fwwebb.com](http://www.fwwebb.com) & [www.victormfg.com](http://www.victormfg.com)

**Parts:** Heater, Hearth and Grills

## East Coast Energy Products

10 East Route 36  
West Long Branch, NJ 07764

**Phone:** 732-870-8809

**Toll Free:** 800-755-8809

**Fax:** 732-870-8811

**Website:** [www.eastcoastenergy.com](http://www.eastcoastenergy.com)

**Parts:** Heater, Hearth and Grills

## Able Distributors

2501 North Central Avenue  
Chicago, IL 60639

**Phone:** 773-889-5555

**Toll Free:** 800-880-2253

**Fax:** 773-466-1118

**Website:** [www.abledistributors.com](http://www.abledistributors.com)

**Parts:** Heater

# HOW TO ORDER REPAIR PARTS

## Parts Not Under Warranty

Parts can be ordered through your Service Person, Dealer, or a Master Parts Distributor. See this page for the Master Parts Distributors list. For best results, the **service person or dealer** should order parts through the distributor. Parts can be shipped directly to the **service person/dealer**.

## Warranty Parts

Warranty parts will need a proof of purchase and can be ordered by your Service Person or Dealer. Proof of purchase is **required** for warranty parts.

All parts listed in the Parts List have a Part Number. When ordering parts, first obtain the Model Number and Serial Number from the name plate on your equipment. Then determine the Part Number (**not** the Index Number) and the Description of each part from the following illustration and part list. Be sure to give all this information . . .

Appliance Model Number \_\_\_\_\_ Part Description \_\_\_\_\_

Appliance Serial Number \_\_\_\_\_ Part Number \_\_\_\_\_

Type of Gas (Propane or Natural) \_\_\_\_\_

Do not order bolts, screws, washers or nuts. They are standard hardware items and can be purchased at any local hardware store.

Shipments contingent upon strikes, fires and all causes beyond our control.

# WARRANTY

Empire Comfort Systems Inc. warranties this space heating product to be free from defects at the time of purchase and for the periods specified below. Space heating products must be installed by a qualified technician and must be maintained and operated safely, in accordance with the instructions in the owner's manual. This warranty applies to the original purchaser only and is not transferable. All warranty repairs must be accomplished by a qualified gas appliance technician.

## **Limited Ten-Year Parts Warranty – Combustion Chamber**

Empire promises to the owner that if the combustion chamber (see parts list) fails because of defective workmanship or material with ten years from the date of purchase, Empire will repair or replace at Empire's option.

## **Limited One-Year Parts Warranty – Remote Controls, Accessories, and Parts**

Should any remote control, accessory, or other part fail because of defective workmanship within one year from the date of purchase, Empire will repair or replace at Empire's option.

## **Duties Of The Owner**

The appliance must be installed by a qualified installer and operated in accordance with the instructions furnished with the appliance. A bill of sale, cancelled check, or payment record should be kept to verify purchase date and establish warranty period. Ready access to the appliance for service.

## **What Is Not Covered**

Damages that might result from the use, misuse, or improper installation of this appliance.  
Travel, diagnostic costs and freight charges on warranted parts to and from the factory.  
Claims that do not involve defective workmanship or materials.  
Unauthorized service or parts replacements.  
Removal and reinstallation cost.  
Inoperable due to improper or lack of maintenance.

## **How To Get Service**

To make a claim under this warranty, please have your receipt available and contact your installing dealer. Provide the dealer with the model number, serial number, type of gas, and purchase verification. The installing dealer is responsible for providing service and will contact the factory to initiate any warranted parts replacements. Empire will make replacement parts available at the factory. Shipping expenses are not covered.

If, after contacting your Empire dealer, service received has not been satisfactory, contact: Consumer Relations Department, Empire Comfort Systems Inc., PO Box 529, Belleville, Illinois 62222, or send an e-mail to [info@empirecomfort.com](mailto:info@empirecomfort.com) with "Consumer Relations" in the subject line.

## **Your Rights Under State Law**

This warranty gives your specific legal rights, and you may also have other rights, which vary from state to state.



**Empire Comfort Systems Inc.  
Belleville, IL**

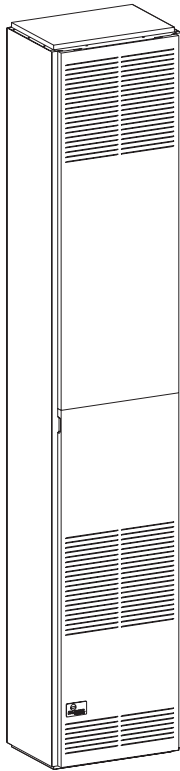
If you have a general question  
about our products, please e-mail  
us at [info@empirecomfort.com](mailto:info@empirecomfort.com).

If you have a service or repair  
question, please contact your dealer.

**[www.empirecomfort.com](http://www.empirecomfort.com)**



# INSTRUCTIONS POUR L'INSTALLATION ET MANUEL DU PROPRIÉTAIRE



**Installateur:** Laissez cette notice avec l'appareil.  
**Consommateur:** Conservez cette notice pour consultation ultérieure.

Cet appareil doit être installé dans une maison préfabriquée (E. U. seulement) ou mobile déjà installée à demeure si les règlements locaux le permettent.

Cet appareil doit être utilisé uniquement avec le type de gaz indiqué sur la plaque signalétique. Cet appareil ne doit pas être utilisé avec d'autres gaz sauf si une trousse de conversion certifiée est fournie.

**AVERTISSEMENT:** Si l'installation, l'usage et l'entretien de ce produit ne sont pas faits selon les instructions du fabricant, ce produit peut vous exposer à des matières contenues dans le carburant ou provenant de la combustion du carburant lesquelles peuvent causer la mort ou de sérieuses maladies.

## RADIATEUR MURAL À CIRCULATION FORCÉE AVEC UN ÉVENT DIRECT MODÈLES

DVC55SPPXLP-1  
DVC55SPPXNAT-1



**AVERTISSEMENT:** Assurez vous de bien suivre les instructions données dans cette notice pour réduire au minimum le risque d'incendie ou d'explosion ou pour éviter tout dommage matériel, toute blessure ou la mort.

- Ne pas entreposer ni utiliser d'essence ni d'autres vapeurs ou liquides inflammables dans le voisinage de cet appareil ou de tout autre appareil.
- **QUE FAIRE SI VOUS SENTEZ UNE ODEUR DE GAZ:**
  - Ne pas tenter d'allumer d'appareil.
  - Ne touchez à aucun interrupteur. Ne pas vous servir des téléphones se trouvant dans le bâtiment où vous vous trouvez.
  - Appelez immédiatement votre fournisseur de gaz depuis un voisin. Suivez les instructions du fournisseur.
  - Si vous ne pouvez rejoindre le fournisseur de gaz, appelez le service des incendies.
- L'installation et l'entretien doivent être assurés par un installateur ou un service d'entretien qualifié ou par le fournisseur de gaz.

## Introduction

Toujours consulter le département de construction de votre région en ce qui regarde les règlements, les codes ou les ordonnances qui s'appliquent à l'installation d'un radiateur mural à évacuation directe.

## Instructions pour l'installateur

1. Après l'installation, l'installateur doit laisser le manuel d'instructions au propriétaire.
2. L'installateur doit demander au propriétaire de compléter et poster la carte de garantie de l'unité de chauffage.
3. L'installateur doit expliquer au propriétaire la mise en marche et le fonctionnement du radiateur et du thermostat.

**Avvertissement: Tout changement fait à ce radiateur ou à ces commandes peut être dangereux. Ceci est un appareil de chauffage et si un panneau, une porte ou un dispositif protecteur est enlevé pour l'entretien de cet appareil, il doit être remplacé avant de remettre en marche.**

## Informations Générales

Ce radiateur est un modèle conformément certifié avec l'American National Standard / CSA Standard Z21.86 et CSA 2.32 par Canadian Standards Association comme étant un radiateur mural à circulation forcée avec un évent direct, devant être installé en accordance avec ces instructions.

**Tout changement du modèle d'origine, installé autrement que décrit dans ces instructions ou fonctionnant avec un genre de gaz qui n'est pas indiqué sur la plaque d'identification, est la responsabilité de la personne et de la compagnie faisant ce changement.**

## Important

Toute la correspondance doit mentionner le numéro complet du modèle et de la série et le genre de gaz.

**Avis:** Pendant le premier allumage de cette unité, la peinture cuira et de la fumée se produira. Pour prévenir les détecteurs de fumée de se déclencher, bien ventiler l'appartement dans lequel l'unité est installée.

## Installation sur un Tapis ou Tuile

Si cet appareil est installé directement sur un tapis, tuiles ou tout genre de matériel combustible autre qu'un plancher de bois, cet appareil doit être installé sur un panneau de métal ou de bois, celui-ci ayant la largeur et la profondeur de l'appareil.

La base que nous décrivons ci-dessus ne signifie pas le genre de base contre le feu comme il est utilisé pour les poêles à bois. La protection est pour les tapis extrêmement épais et les tuiles de couleur qui pourraient se décolorer.

## Installation dans les Garages Résidentiels

Tous les équipements dans les garages résidentiels employant du gaz, doivent être installés de façon à ce que les brûleurs et les appareils pour allumer les brûleurs doivent être situés à au moins 18" (45.7cm) au dessus du plancher.

Tous ces équipements doivent être situés ou protégés de façon à ce qu'un véhicule en se déplaçant ne puisse les endommager.

## Spécifications

Modèle	DV-55SPP
Puissance BTU/H (KW/H)	55,000 (161.12)
Hauteur	82 3/8" (2.1m)
Largeur	16" (40.64cm)
Profondeur	11 1/2" (29.21cm)
Arrivée de gaz (tuyau)	1/2" (13mm)
CFM	400
<b>Accessoires</b>	
SOR-1	Registre, sortie de côté
SOK-1	L'ensemble de sortie de côté, l'assemblage de la hotte de 25.4cm avec registre

## CECI EST UN APPAREIL DE CHAUFFAGE

**NE PAS FAIRE FONCTIONNER CET APPAREIL SANS QUE LE PANNEAU DU DEVANT SOIT INSTALLÉ.**

- A cause des hautes températures, cet appareil doit être situé dans un endroit non achalandé et loin des meubles et des rideaux.
- Les enfants et les adultes doivent être avisés des dangers des parois très chaudes et doivent rester loin pour éviter les brûlures ou l'allumage des vêtements.
- Les petits enfants doivent être surveillés étroitement lorsqu'ils sont dans le même appartement que l'appareil.
- Les vêtements ou d'autres matériaux inflammables ne doivent pas être placés sur ou près de l'appareil.
- Tout écran de sûreté qui est enlevé lors de la réparation d'un appareil, doit être remplacé avant de remettre en marche cet appareil.
- Garder propre le brûleur et le compartiment de contrôle.
- Le capuchon de l'évent est chaud lorsque le radiateur est en fonction.
- L'installation et la réparation doivent être faites par une personne qualifiée. L'appareil doit être inspecté avant l'usage et au moins une fois par année, par une personne qualifiée. S'il y a un excès de poussière venant du tapis, de la literie, etc..., de fréquents nettoyages seront requis. Il est impératif que les compartiments de commandes, les brûleurs et les passages de circulation d'air de l'appareil soient gardés propres.
- Ne rien mettre autour du radiateur qui pourrait obstruer le débit de combustion et la ventilation d'air.
- Les matériaux combustibles, la gasoline ou les vapeurs et liquides inflammables ne doivent jamais être dans le même endroit que le radiateur.
- Examiner périodiquement le système de ventilation et remplacer les pièces défectueuses.
- Faire périodiquement une inspection visuelle de la veilleuse et des brûleurs. Nettoyer et remplacer les pièces défectueuses.
- **AVERTISSEMENT:** Le couvercle pour l'accès à la veilleuse doit toujours être gardé hermétiquement fermé lors du fonctionnement.
- Ne pas utiliser ce radiateur s'il y a une pièce qui a été en contact avec l'eau. Appeler immédiatement un technicien qualifié pour inspecter le radiateur et remplacer toute pièce du système de commande et les commandes de gaz qui ont été en contact avec l'eau

## INFORMATION DE SÉCURITÉ POUR LES UTILISATEURS DE PROPANE

Le propane est un gaz inflammable qui peut causer des feux et des explosions. Dans son état naturel, le propane est inodore et sans couleur. Peut-être que vous ne connaissez pas toutes les précautions décrites ci-dessous? Elles peuvent vous protéger ainsi que votre famille contre un accident. Lisez-les attentivement dès maintenant, puis réexaminez les, point par point avec les membres de votre

famille. Un jour, lorsqu'il n'y aura pas une minute à perdre, la sécurité de chacun dépendra de votre savoir-faire. Si après avoir lu les informations suivantes, vous pensez avoir besoin de plus amples informations, s'il vous plaît contactez votre fournisseur de gaz.

### AVERTISSEMENT À PROPOS DE L'ODEUR DU PROPANE

Si une fuite de gaz survient, vous devriez sentir le gaz parce qu'il y a une odeur incorporée au propane.

C'est le signal que vous devez agir immédiatement.

- N'utiliser pas les interrupteurs électriques, n'allumer pas des allumettes ou n'utiliser pas le téléphone. Ne rien faire qui pourrait enflammer le gaz.
- Evacuer tout le monde du bâtiment, des véhicules et des lieux. Faire ceci immédiatement.
- Fermer toutes les soupapes d'approvisionnement des réservoirs et des bouteilles de gaz.
- Le propane est plus pesant que l'air et peut s'accumuler dans des endroits bas comme les soubassements. Lorsque vous avez des raisons de suspecter une fuite de gaz, n'allez pas dans les soubassements ou les endroits bas. Attendez que les pompiers vous assurent de la sûreté de ces endroits avant d'y aller.
- Utiliser le téléphone de votre voisin et appeler les pompiers et une personne entraînée avec le propane.
- Ne pas ouvrir les soupapes d'approvisionnement de gaz même si vous ne le sentez plus. Ne retourner pas dans le bâtiment, sur les véhicules ou sur les lieux.
- Finalement, laisser la personne qualifiée et les pompiers vérifier les fuites de gaz. Laisser-les aérer les lieux avant d'y retourner. Les personnes entraînées avec le propane devront réparer la fuite, vérifier et rallumer l'appareil au gaz, pour vous.

### AUCUNE ODEUR DÉCELÉE - FAIBLE ODEUR

**Il y a des personnes qui ne peuvent pas sentir très bien. Il y a des personnes qui ne peuvent pas sentir l'odeur chimique mis dans le gaz.** Vous devez vérifier si vous pouvez sentir cette odeur. Fumer peut décroître votre capacité de sentir. Sentir une odeur pour un certain temps, peut affecter votre sensibilité ou votre capacité de déceler cette odeur. Quelquefois d'autres odeurs, dans le même endroit, peuvent masquer l'odeur du gaz. Il y a des personnes qui ne peuvent pas sentir l'odeur du gaz ou que leur attention est sur quelque chose d'autre. Penser à sentir l'odeur du gaz peut faciliter la capacité de sentir.

**L'odeur dans le propane est sans couleur et peut s'affaiblir selon certaines circonstances.** Par exemple, s'il y a une fuite souterraine, le mouvement du gaz à travers le sol peut filtrer l'odeur. Aussi, l'odeur dans le propane peut être exposée à l'oxydation. Cet affaiblissement

peut survenir s'il y a de la rouille à l'intérieur des réservoirs ou dans les tuyaux de fer pour le gaz.

L'odeur de la fuite de gaz peut être adsorbée ou absorbée sur ou dans les murs, maçonnerie et d'autres matériaux et tissus dans une chambre. Ceci enlèvera une quantité de l'odeur du gaz, affaiblissant l'intensité de la senteur.

Le propane peut stratifier dans un endroit fermé et l'intensité de l'odeur peut varier à différents niveaux. Puisque le propane est plus pesant que l'air, l'odeur peut être plus prononcée à un bas niveau. Toujours être sensible à la moindre odeur de gaz. Si vous décelez une odeur, réagissez comme si vous aviez une sérieuse fuite. Passez à l'action immédiatement en suivant les informations précédentes.

### QUELQUES POINTS À RETENIR

- **Apprendre à reconnaître l'odeur du propane.** Votre distributeur de propane peut vous donner un échantillon que vous grattez et sentez. Utilisez-le pour savoir reconnaître l'odeur du propane. Si vous pensez que votre gaz propane a une faible ou anormale odeur, appelez votre distributeur.
- Si vous n'êtes pas qualifié, n'allumer pas la veilleuse, n'effectuer pas l'entretien ou n'ajuster pas les appareils fonctionnant au propane. Si vous êtes qualifié, soyez conscient de l'odeur du propane avant et pendant que vous allumez la veilleuse, effectuez l'entretien ou faites les ajustements.
- Quelquefois un soubassement ou une maison fermée a une senteur de moisi qui peut dissimuler l'odeur de propane. N'essayez pas d'allumer des veilleuses, d'effectuer l'entretien ou de faire des ajustements dans des endroits où les conditions sont de telle sorte que vous ne pouvez pas déceler l'odeur du propane en cas de fuite.
- L'affaiblissement d'odeur, attribuable à l'oxydation par la rouille ou l'adsorption sur les parois des nouveaux réservoirs et bouteilles, est possible. Par conséquent, les personnes doivent être particulièrement prudentes lorsque de nouveaux réservoirs ou bouteilles sont mis en service. L'affaiblissement d'odeur peut se produire dans les nouveaux réservoirs ou dans les vieux réservoirs qui sont réinstallés, s'ils sont remplis et inutilisés pour une longue période de temps. La formation de rouille à l'intérieur des bouteilles et des réservoirs qui ne sont pas utilisés pour une longue période de temps, peut provoquer un affaiblissement de l'odeur. Si vous pensez que de telles conditions existent, un test de senteur de gaz est recommandé périodiquement. **Si vous avez des questions à propos de l'odeur du gaz, appelez votre distributeur de propane. En toute circonstance, un test de senteur périodique du gaz propane est une mesure de prudence.**
- Si en aucun temps vous ne sentez pas l'odeur du propane et que vous devriez, assumez que vous avez une fuite. Agissez immédiatement selon les recommandations ci-dessus, décrivant les actions à suivre en cas de déclèment de gaz propane.
- Si vous découvrez que le réservoir est complètement vide de gaz (le réservoir n'a aucune pression de vapeur), fermez la soupape du réservoir immédiatement. Si la soupape du réservoir reste ouverte, le réservoir peut aspirer de l'air par les ouvertures, par exemple les orifices de la veilleuse. Si ceci survient, l'intérieur peut subir une additionnelle formation de rouille. Si la soupape est restée ouverte, considérez le contenant comme étant un nouveau réservoir. Soyez toujours certain que le réservoir est sous pression de vapeur; fermez la soupape du réservoir avant qu'il ne soit complètement vide et faites le remplir.

### Agence d'Installation Qualifiée

L'installation et le remplacement des tuyaux à gaz, des équipements ou accessoires, la réparation et l'entretien de l'équipement doivent être faits seulement par une agence qualifiée. Le terme "agence qualifiée" signifie tout individu, firme, corporation ou compagnie qui est, en personne ou par un représentant, engagé et responsable de: (a) l'installation ou le remplacement des tuyaux à gaz, ou (b) la connexion, l'installation, la réparation ou l'entretien de l'équipement, qui possède l'expérience nécessaire en ce genre de travail, est familier avec les précautions requises et s'est conformé à toutes les exigences de l'autorité ayant juridiction.

L'installation doit être conforme aux codes locaux. Dans l'absence de codes locaux, l'installation doit se conformer avec *National Fuel Gas Code ANSI Z223.1/NFPA 54\* Natural Gas and Propane Installation Code, CSA B149.1.*

\* Disponible chez American National Standards Institute, Inc., 11 West 42nd St., New York, N.Y. 10036.

### Espaces Libres

1. En choisissant un emplacement, il est nécessaire de fournir l'espace libre adéquat pour l'accès à l'installation et à l'entretien.
2. La profondeur minimum du mur pour le DV-55 est 4 1/2" (11.43cm) et la profondeur maximum du mur est de 13" (33.02cm). L'usage de tuyaux qui ne sont pas fournis par le fabricant, résultera en une performance insatisfaisante.
3. Le DV-55 peut être attaché au mur ou encastré dans le mur jusqu'à 4" (10.16cm) de profondeur mais la profondeur minimum de 4 1/2" (11.43cm) pour le système d'évacuation et d'alimentation d'air doit être maintenue.
4. L'espace libre entre les côtés et le dessus du radiateur au mur dans lequel le radiateur est encastré est de (0) zéro cm.
5. Lorsque vous utilisez les registres se dégageant sur les côtés, SOR-1 ou SOK-1, le radiateur ne peut pas être encastré dans le mur.
6. L'espace libre aux murs de côté ou aux matériaux combustibles est de 4" (10.16cm).
7. L'espace libre au plafond est de 4" (10.16cm).
8. L'espace libre au plancher et au mur arrière est de (0) zéro cm.
9. Lorsque le registre avec sortie sur le côté est utilisé, SOR-1, l'espace libre requis entre le radiateur et les murs de côté ou les matériaux combustibles est de 18" (45.72cm).
10. La distance minimum du centre du capuchon d'évent au coin extérieur ou obstruction le plus près est de 24" (61cm).

L'évent terminal d'un appareil à événement direct, avec une puissance au-dessus de 50,000 Btu (161.12 KW) par heure, doit être situé à au moins 12" (30.5cm) d'une ouverture par lequel un tuyau de gaz peut entrer dans le bâtiment. Le bas de l'évent terminal et la prise d'air doivent être situés à au moins 12" (30.5cm) au-dessus du niveau.

**AVERTISSEMENT: Le point le plus près du capuchon de l'évent doit être éloigné horizontalement d'un minimum de 6' (1.83m) du régulateur de pression. Dans le cas d'un mal fonctionnement du régulateur, la distance de 6' (1.83m) réduira la possibilité pour le gaz d'entrer par le capuchon de l'évent.**

### Emplacement de l'Ouverture dans le Mur

Le radiateur doit être situé sur un mur extérieur. Trouver les montants du mur, ainsi l'ouverture dans le mur sera entre les montants du mur. Le radiateur a une largeur de 16" (40.64cm) et étant donné que la distance normale entre les montants du mur est de 16" (40.64cm) le radiateur pourra être encastré seulement si un montant est changé de place. Comme le représente la Figure 2, l'ouverture dans le mur exige un diamètre de 7 1/2" (19.05cm).

Un guide est fourni dans l'emballage du radiateur pour vous aider à positionner le radiateur sur le mur. Aussi, référer à la Figure 2 pour positionner le radiateur sur le mur et pour situer les connexions pour la ligne de gaz.

### Installation des Sorties Optionelles sur les Côtés

Le registre avec sortie sur le côté, SOR-1, peut être installé sur un ou les deux côtés du radiateur pourvu que les espaces libres de 18" (45.7cm) du mur ou d'un matériel combustible, comme le montre la Figure 1, soient obtenus.

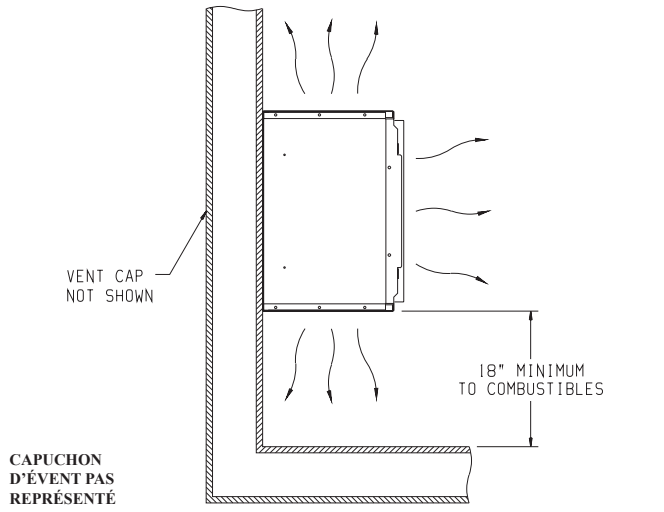
1. Situer et couper l'ouverture carrée de 5 1/2" (14cm) sur le côté du radiateur en employant le guide dans la trousse d'outils. Ceci exposera l'entrée défonçable du recouvrement intérieur.
2. Enlever l'entrée défonçable.
3. Placer le registre dans l'ouverture de 5 1/2" (14cm) en mettant les volets dans la direction désirée et marquer les trous de montage en employant le registre comme guide.
4. Percer (2) trous de 1/8" (3.2mm) de diamètre sur le côté du radiateur et attacher le registre avec (2) vis #10 x 1" (2.54cm). Les vis sont fournies.

L'ensemble de sortie sur le côté, l'assemblage de la hotte de 10" (25.4cm) avec registre, SOK-1 pour dégager de l'air chaud dans une chambre avoisinante, peut être installé sur n'importe quel côté du radiateur pourvu que l'espace libre de 4" (10.16cm), comme le montre la Figure 3A, soit obtenu.

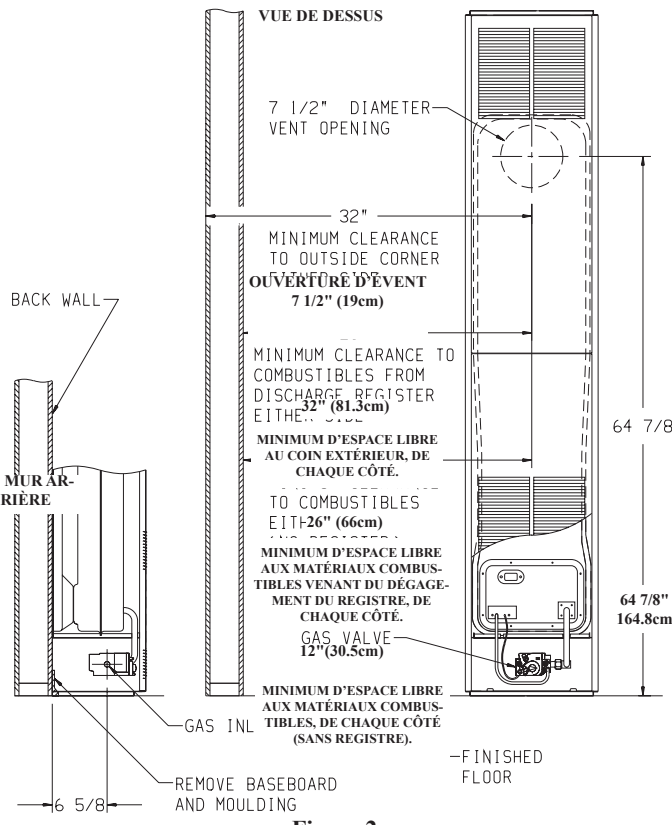
1. Situer et couper l'ouverture carrée de 5 1/2" (14cm) sur le côté du radiateur en employant le guide. Ceci exposera l'entrée défonçable du recouvrement intérieur.
2. Enlever l'entrée défonçable.
3. En utilisant les hottes intérieures et extérieures comme guide pour les trous, marquer et percer (8) trous de 1/8" (3.2mm) de diamètre dans le recouvrement intérieur et le côté du radiateur.
4. En utilisant la Figure 3A, situer et couper une ouverture carrée de 6 3/4" (17.15cm) à travers les murs.
5. Préparer l'ouverture dans le mur pour le système d'évacuation et d'alimentation d'air (voir Emplacement de l'Ouverture dans le Mur).
6. Avec le radiateur en place, après avoir vérifié l'alignement de l'ouverture de sortie sur le côté dans le mur et le radiateur, placer la plaque murale de sortie de côté de 9 3/8" x 9 3/8" (23.8cm x 23.8cm) par dessus la hotte extérieure. Passer la hotte extérieure à travers le mur et attacher la plaque murale de sortie de côté au mur du côté du radiateur avec (2) vis #10 x 1" (2.54cm). Les vis sont fournies.
7. Attacher la hotte extérieure au côté du radiateur avec (4) vis #8 x 1/4" (6.4mm). Les vis sont fournies.
8. Positionner et attacher la hotte intérieure au recouvrement intérieur avec (4) vis #8 x 1/4" (6.4mm). Les vis sont fournies.
9. Placer le registre avec ses volets dans la position désirée

pour la sortie d'air et marquer les trous de montage en utilisant le registre comme guide.

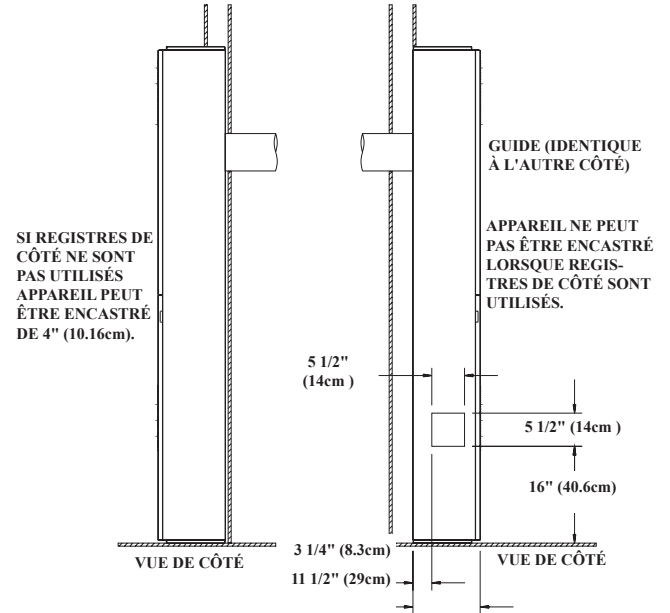
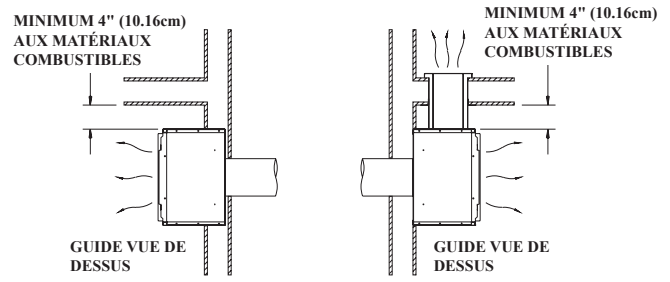
10. Percer (2) trous de 1/8" (3.2mm) de diamètre dans le mur et attacher le registre avec (2) vis #10 x 1" (2.54cm). Les vis sont fournies.



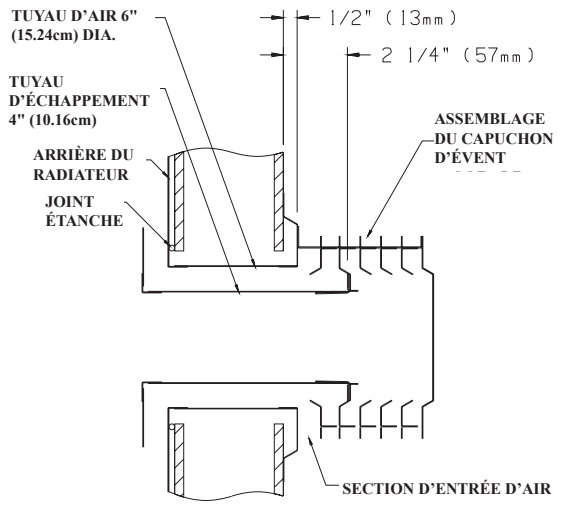
**Figure 1** MINIMUM DE 18" (45.7cm) AUX MATÉRIEAUX COMBUSTIBLES



**Figure 2**  
ENTRÉE DE GAZ  
6 5/8" : 16.8cm  
ENLEVER PLINTHE ET MOULURE.  
PLANCHER FINI



**Figure 3** **Figure 3A**



**Figure 4**

### Emplacement de l'Alimentation de Gaz

La ligne de gaz peut entrer dans l'appareil soit en venant du plancher ou du mur extérieur. L'ouverture pour la ligne de gaz doit être faite à ce moment. L'emplacement de l'ouverture sera déterminé par la position des solives du plancher et par la valve et le raccord utilisé lors de l'entretien.



### Emplacement de l'Alimentation Électrique

Sur le bas des panneaux des côtés gauche et droit, il y a une entrée défonçable de 7/8" (22.23mm) de diamètre. L'assemblage de la fiche à trois broches (prise de terre) est situé dans le compartiment des contrôles (au bas) du radiateur. S'il vous plaît, enlever l'entrée défonçable de 7/8" (22.23mm) du côté du panneau approprié lorsque vous acheminez l'assemblage de la fiche à une prise de courant.

### Installation de l'Assemblage de la Fiche à Trois Broches (Prise de Terre)

1. Débrancher le bouchon de nylon de la fiche de 3' (.92m) de la fiche de nylon sur le harnais de fils électriques. Enlever l'assemblage de la fiche de 3' (.92m) du compartiment des contrôles (au bas) du radiateur.
2. Enlever l'entrée défonçable de 7/8" (22.23mm) du côté du panneau approprié.
3. Introduire le bouchon de nylon de l'assemblage de la fiche de 3' (.92m) dans l'ouverture de 7/8" (22.23mm) sur le côté du panneau.
4. Brancher le bouchon de nylon de l'assemblage de la fiche de 3' (.92m) à la fiche de nylon sur le harnais de fils électriques.
5. Placer le manchon d'allègement de tension de 7/8" (22.23mm) autour du cordon de l'assemblage de la fiche de 3' (.92m). Introduire le manchon d'allègement de tension de 7/8" (22.23mm) dans l'ouverture de 7/8" (22.23mm) sur le côté du panneau.

**Attention!** Le manchon d'allègement de tension de 7/8" (22.23mm) est dans la même enveloppe jaune que les instructions pour l'installation et le manuel du propriétaire.

### Fixer le Radiateur au Mur

Référer à la Figure 2 pour l'emplacement de l'ouverture dans le mur de 7 1/2" (19.05cm) de diamètre pour le radiateur. Après avoir situé et coupé l'ouverture dans le mur, positionner le tuyau d'échappement du radiateur dans le centre de l'ouverture du mur. Lorsque vous fixez le radiateur au mur, enlever la plinthe et la moulure derrière le radiateur. Fixer le radiateur au mur par le haut de la paroi extérieure avec (2) boulons à ailettes et au plancher par le bas de la paroi extérieure avec (2) vis #10 x 1 1/2" (38mm). Les vis et les boulons sont fournis.

**Attention!** Les trous de vis sur le bas de la paroi extérieure sont décalés d'approximativement 3/8" (9.5mm) au dessus du plancher. Ne pas serrer trop fort les vis et déformer le bas de la paroi extérieure. Déformer le bas de la paroi extérieure vous empêchera de fixer le panneau du devant en bas, au radiateur.

### Couper les Tuyaux de Ventilation

Ceci est la partie la plus importante de l'installation. Avec le radiateur installé sur le mur, le tuyau d'arrivée d'air de 6" (15.24cm) de diamètre et le tuyau d'échappement de 4" (10.16cm) de diamètre doivent être marqués et coupés en employant les procédures suivantes:

1. Attacher le tuyau d'arrivée d'air de 6" (15.24cm) de diamètre sur le collet de l'assemblage de la descente d'air. Soyez certain de placer le tuyau d'arrivée d'air de 6" (15.24cm) de diamètre aussi loin que possible sur le collet de l'assemblage de la descente d'air. Marquer le tuyau d'arrivée d'air de 6" (15.24cm) de diamètre, 1/2" (12.7mm) au-delà du mur extérieur. Enlever le tuyau d'arrivée d'air de 6" (15.24cm) de diamètre du collet de l'assemblage de la descente d'air.
2. Attacher le tuyau d'échappement de 4" (10.16cm) de diamètre

sur le collet de la sortie d'échappement qui est sur la chambre de combustion. Soyez certain que le tuyau d'échappement de 4" (10.16cm) de diamètre est placé aussi loin que possible sur le collet de la sortie d'échappement. Marquer le tuyau d'échappement de 4" (10.16cm) de diamètre, 2 1/4" (5.7cm) au-delà du mur extérieur. Enlever le tuyau d'échappement de 4" (10.16cm) de diamètre du collet de la sortie d'échappement qui est sur la chambre de combustion.

3. Pour vous aider à faire une bonne coupe sur les tuyaux, tracez ou mettez du ruban adhésif tout autour des tuyaux. Ne pas déformer ou agrandir les tuyaux.

### Installation de l'Ensemble de Ventilation

1. Calfeutrer sous le bord de la plaque extérieure de montage. L'étope est non fourni. Ajouter de l'étope pour corriger les inégalités sur la surface du mur.
2. Attacher le tuyau d'arrivée d'air de 6" (15.24cm) de diamètre sur le collet de l'assemblage de la descente d'air. Attacher la plaque extérieure de montage que vous avez calfeutrée avec le tuyau d'arrivée d'air de 6" (15.24cm) de diamètre. Positionner la plaque extérieure de montage de façon à ce que le tuyau d'arrivée d'air de 6" (15.24cm) de diamètre ait une légère pente descendante vers l'extérieur. **La pente descendante est nécessaire pour prévenir l'entrée de la pluie.** Attacher la plaque extérieure de montage au mur extérieur avec 4 vis #10 x 1/2" (38mm). Les vis sont fournies.
3. Appliquer du ciment pour radiateur au collet de la sortie d'échappement de 4" (10.16cm) de diamètre et sur le collet de 4" (10.16cm) du capuchon d'évent. Attacher le tuyau de sortie d'échappement de 4" (10.16cm) de diamètre au collet de la sortie d'échappement de la chambre de combustion. Attacher le capuchon de l'évent au tuyau de sortie d'échappement de 4" (10.16cm) de diamètre. Attacher le capuchon de l'évent à la plaque extérieure de montage avec 3 vis #10 x 1 1/2" (12.7mm). Les vis sont fournies.
4. L'installation est complétée.

### Remontage et étanchement du système d'évacuation et d'alimentation d'air

Lorsque le système est enlevé pour réparer le radiateur, les étapes suivantes vous assureront la bonne méthode de remonter et d'assurer l'étanchéité du système d'évacuation et d'alimentation d'air.

1. Enlever la vieille étope sous le bord de la plaque extérieure de montage. Appliquer de la nouvelle étope sous le bord de la plaque extérieure de montage. Ajouter de l'étope pour corriger les inégalités sur la surface du mur.
2. Enlever le vieux ciment pour radiateur autour du collet de la sortie d'échappement de la chambre de combustion et autour du collet du capuchon d'évent. Enlever le vieux ciment pour radiateur autour des deux bouts du tuyau de sortie d'échappement de 4" (10.16cm) de diamètre.
3. Attacher le tuyau d'arrivée d'air de 6" (15.24cm) de diamètre au collet de l'assemblage de la descente d'air. Attacher la plaque extérieure de montage calfeutrée au tuyau d'arrivée d'air de 6" (15.24cm) de diamètre. Positionner la plaque extérieure de montage de façon à ce que le tuyau d'arrivée d'air de 6" (15.24cm) de diamètre ait une légère pente descendante vers l'extérieur. **La pente descendante est nécessaire pour prévenir l'entrée de la pluie.** Attacher la plaque extérieure de montage au mur extérieur avec 4 vis #10 x 1" (38mm). Les vis sont fournies.
4. Appliquer du ciment pour radiateur au collet de la sortie



d'échappement de 4" (10.16cm) de diamètre et sur le collet de 4" (10.16cm) de diamètre du capuchon d'évent. Attacher le tuyau de sortie d'échappement de 4" (10.16cm) de diamètre au collet de la sortie d'échappement de la chambre de combustion. Attacher le capuchon de l'évent au tuyau de sortie d'échappement de 4" (10.16cm) de diamètre. Attacher le capuchon de l'évent à la plaque extérieure de montage avec 3 vis #10 x 1/2" (12.7mm). Les vis sont fournies.

5. Le remontage et l'étanchement du système d'évacuation et d'alimentation d'air est complété.

**Installer un évent près d'un rebord de fenêtre, autre genre de saillie ou sur un revêtement (vinyle, aluminium, etc.)**

Les radiateurs à évent direct sont désignés pour être installés sur un mur extérieur uniforme. Lorsque le vent souffle de différentes directions (d'en haut, d'en bas, ou sur les côtés), il doit frapper le capuchon d'évent de façon à ce que les parties d'arrivée d'air et de sortie d'échappement de l'évent soient frappées également. Toutes sortes de saillies, par exemple une porte ou un cadre de fenêtre, peuvent dévier le vent qui frappera un côté de la section de l'arrivée d'air. Ceci occasionnera un retour de pression sur la portion d'échappement lequel étouffera la flamme et éventuellement produira l'extinction de la veilleuse.

Lorsque le capuchon d'évent doit être installé sur un revêtement ou près d'une saillie qui sera à 6" (15.24cm) de distance de la portion d'arrivée d'air, l'évent complet devra être soutenu loin du mur d'au moins la distance de la saillie. Nous recommandons une construction faite de 2" x 4" (5.08cm x 10.16cm) dont la dimension extérieure sera égale aux dimensions totales de la plaque de montage. La construction faite de 2" x 4" (5.08cm x 10.16cm) protégera le revêtement d'une possibilité de déformation ou de décoloration. Tous les joints peuvent alors être rendus étanches et peints. L'épaisseur du mur, plus l'épaisseur de la construction faite de 2" x 4" (5.08cm x 10.16cm) ne doit pas excéder l'épaisseur totale de 13" (33.02cm) pour le DV-55. (voir Figure 5).

L'ensemble d'évent pour le revêtement en vinyle, DV-822, est disponible chez Empire Comfort Systems, Inc. L'épaisseur est de 3" (7.62cm) ce qui permet le prolongement du capuchon d'évent loin du revêtement en vinyle ou des saillies. L'épaisseur du mur, plus l'épaisseur additionnelle de 3" (7.62cm) de l'extension du capuchon d'évent pour revêtement ne doit pas excéder une épaisseur totale de 13" (33.02cm) pour le DV-55. (voir Figure 5a).

**AVERTISSEMENT: Lorsque l'ensemble d'évent pour le revêtement en vinyle DV-822 ou la construction faite de 2" x 4" (5.08cm x 10.16cm) est ajouté à une installation déjà existante (radiateur est installé), n'essayer pas d'ajouter des sections de tuyau au tuyau de sortie d'échappement ou au tuyau d'arrivée d'air. Un joint étanche est requis pour les deux tuyaux. Référer à la liste des pièces pour commander les tuyaux.**

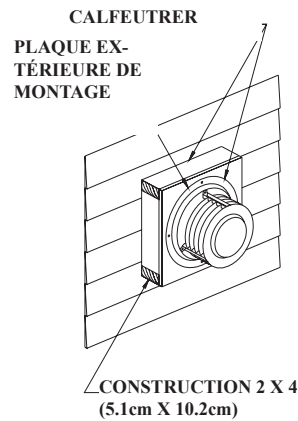


Figure 5

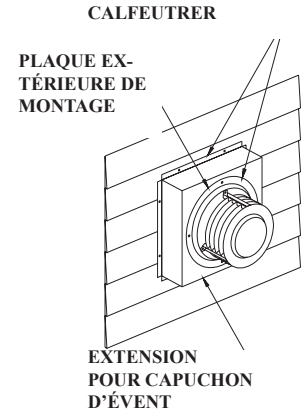


Figure 5a

**Alimentation en Gaz**

Vérifier tous les codes locaux pour répondre aux exigences, spécialement pour la grandeur et le genre de ligne d'alimentation de gaz requis. Pour la ligne de gaz naturel moins de 15' (4.58m) de long, utiliser un tuyau de 1/2" (12.7mm); pour une ligne plus longue, utiliser un tuyau de fer de 3/4" (19.05mm) ou l'équivalent. Pour la ligne de gaz propane, s'il vous plaît consultez le fournisseur de gaz propane.

**Installation d'un Nouveau Robinet Principal pour le Gaz**

Chaque appareil doit avoir son propre robinet manuel de gaz.

Un robinet manuel principal doit être situé près de l'appareil. S'il n'y en a pas ou si la grosseur ou l'emplacement est inadéquat, contacter votre installateur autorisé pour l'installation ou pour changer l'emplacement.

Les composantes employées sur les joints filetés des tuyaux doivent être résistantes à l'action des gaz de pétrole liquéfiés. La canalisation de gaz doit être vérifiée par l'installateur pour des possibilités de fuites. Ceci doit être fait sur toutes les connexions exposées avec une solution savonneuse. Surveiller pour la formation de bulles. Si les connexions ne sont pas exposées, un test de pression doit être fait.

**Ne jamais employer une flamme pour vérifier les fuites. Lors d'un test de pression, le tuyau d'arrivée de la valve de commande doit être débranché de l'appareil et bouché. Ne jamais faire un test de pression lorsque l'appareil est branché; la valve de commande peut être endommagée!**

Pour aider à l'entretien, une valve à gaz et un raccord horizontal doivent être installés sur la ligne de gaz en amont du contrôle de gaz. Le National Fuel Gas Code exige qu'une ligne d'égouttage soit installée près de l'entrée de gaz. Ceci doit consister en une longueur de tuyau vertical qui sera raccordé par un T sur la ligne de gaz et terminé au bas par un bouchon. La condensation et les particules étrangères s'y amasseront.

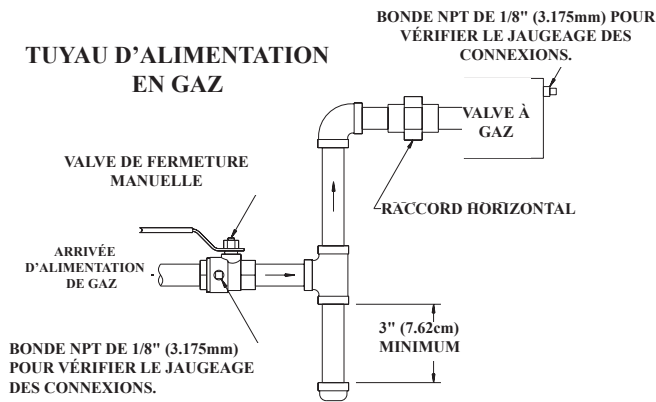


Figure 6

#### Méthode pour installer un collecteur de sédiment avec un adaptateur en T

L'emploi des connexions de gaz suivantes est recommandé:

- ANS Z21.24 Connexions d'appareil de tuyaux et de raccords en métal ondulé.
- ANS Z21.45 Connexions flexibles d'appareil autre qu'en métal.

Les connexions ci-dessus peuvent être utilisées si elles sont acceptées par les autorités ayant juridiction.

#### Test Pression du Système d'Alimentation de Gaz

1. Pour vérifier la pression d'arrivée de la valve de gaz, une bonde N.P.T. de 1/8" (3.175mm), accessible pour vérifier le jaugeage des connexions, doit être située immédiatement en amont de la connexion d'alimentation de gaz de l'appareil.
2. Pendant un test de pression du système d'alimentation de gaz, l'appareil et sa valve de fermeture doivent être débranchés si une pression supérieure à 1/2 psig (3.5kPa) est employée.
3. Pendant un test de pression du système d'alimentation de gaz, si une pression égale ou inférieure à 1/2 psig (3.5kPa) est employée, l'appareil doit être isolé du système d'alimentation de gaz en fermant sa propre valve de fermeture manuelle.

**Attention!** Si une des procédures ci-dessus occasionne une pression supérieure à 1/2 psig (14" w.c.) (3.5kPa) sur la valve de gaz de l'appareil, une situation dangereuse s'en suivra.

#### Vérifier les Pressions de Gaz

Un régulateur de pression est incorporé dans la valve de gaz propane et celle de gaz naturel. Les modèles pour le gaz naturel auront des pressions de gaz approximativement de 4.0" w.c. (1kPa) à la sortie de la valve et une pression d'entrée à la valve d'un minimum de 6.0" w.c. (1.5kPa) pour permettre l'ajustement à l'entrée, allant à un maximum de 7.0" w.c. (1.74kPa). Les modèles pour le gaz propane auront des pressions de gaz approximativement de 10.0" w.c. (2.5kPa) à la sortie de la valve et une pression d'entrée à la valve d'un minimum de 11.0" w.c. (2.74kPa) pour permettre l'ajustement à l'entrée, allant à un maximum de 13.0" w.c. (3.24kPa).

Une bonde N.P.T. de 1/8" (3.175mm), accessible pour vérifier le jaugeage des connexions, est située sur le côté de la sortie de la commande de gaz.

Le régulateur incorporé se déclenche à approximativement 1/4 de la pression et s'ouvre au plus fort en 10 secondes.

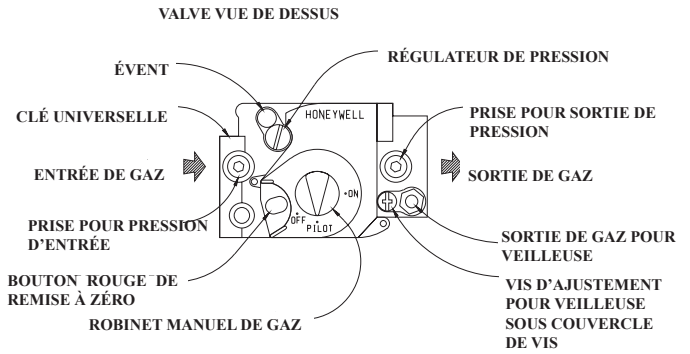


Figure 7

#### Hautes Altitudes

Pour des altitudes/élevations au dessus de 2,000' (610m), les puissances d'entrée devront être réduites de 4% pour chaque 1,000' (305m) au dessus du niveau de la mer. **Hautes Altitudes au Canada** pour les endroits ayant une élévation au dessus du niveau de la mer entre 2,000' (610m) et 4,500' (1370m), la pression doit être diminuée de 4.0" w.c. (1kPa) à 3.2" w.c. (.8kPa) pour le gaz naturel et de 10.0" w.c. (2.5kPa) à 8.0" w.c. (2kPa) pour le gaz propane.

#### Instructions Pour le Piezo-Allumeur de la Veilleuse

Baisser le bouton rouge complètement provoquera une étincelle qui surviendra à la veilleuse. Ceci est un substitut à une allumette. Celle-ci exigerait l'ouverture du couvercle pour l'accès à la veilleuse.

Pour allumer la veilleuse, il est important que l'électrode soit à 1/8" (3.175mm) du thermocouple. L'étincelle doit se produire à l'endroit où la flamme du brûleur frappe le thermocouple. Le bout de l'électrode sera chauffé au rouge lorsque la veilleuse est en fonction.

Sur une nouvelle installation ayant de l'air dans la ligne de gaz, il est suggéré d'utiliser une allumette. Dans cette condition, l'allumette allumera la veilleuse plus vite qu'avec le piezo-allumeur.

#### Aspect Convenable de la Flamme du Brûleur Principal

La flamme de la veilleuse (Figure 8) sera bleue et s'allongera plus loin que le thermocouple. La flamme entourera le thermocouple juste en-dessous de la pointe.

Les veilleuses de gaz naturel exigent un ajustement lorsque la pression d'entrée de gaz est supérieure à 5.0" w.c. (1.25kPa). Enlever la vis du couvercle de la veilleuse sur la valve de contrôle (Figure 7) et tourner la vis d'ajustement dans le sens des aiguilles d'une montre pour réduire la flamme. Replacer la vis du couvercle de la veilleuse pour éliminer une fuite de gaz à cette ouverture de la valve de contrôle.

Le gaz propane n'exige aucun ajustement.

Après l'usage, un nettoyage peut être exigé pour obtenir une flamme convenable.

**AVERTISSEMENT:** Lors de l'entretien des commandes, tous les fils doivent être identifiés avant de les débrancher. Une erreur de filetage peut entraîner un mauvais et dangereux fonctionnement. Vérifier le fonctionnement après l'entretien.

## AJUSTEMENT CONVENABLE DE LA FLAMME

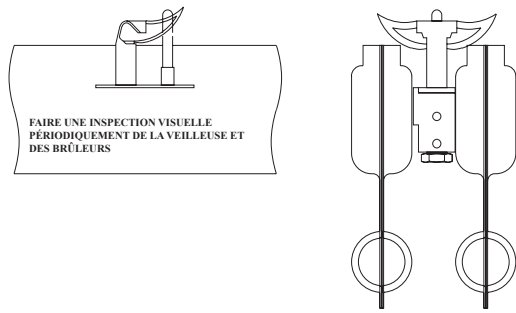


Figure 8

### Aspect Convenable de la Flamme du Brûleur Principal

La flamme convenable aura une petite flamme bleue intérieure avec une flamme extérieure bleue pâle beaucoup plus grande. Le brûleur principal (Figure 9) représente la hauteur approximative pour chaque partie de la flamme pour chaque gaz. Il n'y a pas d'ajustement d'air primaire pour le brûleur. La flamme se corrigera si la pression pré-ajustée à l'usine et les ouvertures sont utilisées. Après que le radiateur ait fonctionné, il se peut que les ouvertures du brûleur soient bloquées par des matières étrangères venant de l'air de combustion. Donc un nettoyage du brûleur peut être exigé pour obtenir une flamme convenable.

Pour nettoyer les ouvertures du brûleur, débrancher l'alimentation de gaz à la valve et enlever les huit vis qui tiennent la porte du brûleur. Après avoir enlevé la porte du brûleur la chambre de combustion, enlever le brûleur de arrière, le brûleur de la veilleuse et le brûleur de devant. Avec les brûleurs de devant et arrière enlevés, faire entrer de l'eau avec force dans la bande d'ouvertures et sécher avec une pression d'air.

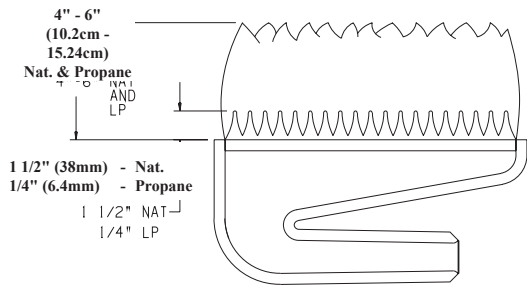


Figure 9

### Remplacement du Ventilateur et Huilage du Moteur

Le moteur du ventilateur doit être nettoyé et huilé une fois chaque saison de chauffage. Pour atteindre le moteur, enlever le blindage métallique autour des ailettes du ventilateur en enlevant les vis de chaque côtés. Utiliser quelques gouttes d'huile à moteur #10. Pour nettoyer le moteur, souffler de l'air à travers les ouvertures de ventilation avec un aspirateur ou une source d'air à basse pression.

Si le moteur du ventilateur est remplacé, vous devez aussi remplacer les joints d'étanchéité en silicone caoutchouc, voir page 12, index no 4, pièce no 712059. Les joints d'étanchéité doivent être étirés pour s'adapter sur les boulons du moteur dans les espaces pour joint d'étanchéité. Le moteur et les joints d'étanchéité peuvent être installés sur les barres de montage du moteur.

## Pose des Fils Électriques

Si vous utilisez une source électrique extérieure, l'appareil, lorsqu'il est installé, doit avoir une prise de terre conforme avec les codes locaux ou dans l'absence de codes locaux, avec le *National Electrical Code, ANSI/NFPA70* ou *Canadian Electrical Code, CSA C22.1*. Pour votre protection contre les dangers de chocs, cet appareil est muni d'une fiche à trois broches (prise de terre) qui doit être branchée directement dans une prise de courant femelle qui a été convenablement mise à terre. Ne pas couper ou enlever la broche de mise à terre de cette fiche. Pour une prise de courant femelle qui n'a pas de mise à terre, un adaptateur qui a deux broches et un fil de mise à terre peut être acheté et branché dans la prise de courant femelle qui n'a pas de mise à terre et le fil doit être attaché à la vis du support de la prise de courant. Avec ce fil complétant la mise à terre, la fiche de l'appareil peut être branchée dans l'adaptateur. La boîte de jonction est munie d'un trou de 7/8" (22.2mm) pour utiliser un raccord conducteur, si les codes locaux exigent ce genre de protection.

### Installation du Thermostat

Le thermostat doit être installé dans la même pièce que le radiateur. Il doit être de 4' (10.2cm) à 5' (12.7cm) au dessus du plancher et loin d'autres sources de chaleur (cuisinière, chauffe-eau, etc.) incluant les murs ou encadrements de porte ayant une source de chaleur dans la pièce avoisinante. Ne pas installer le thermostat sur un mur extérieur.

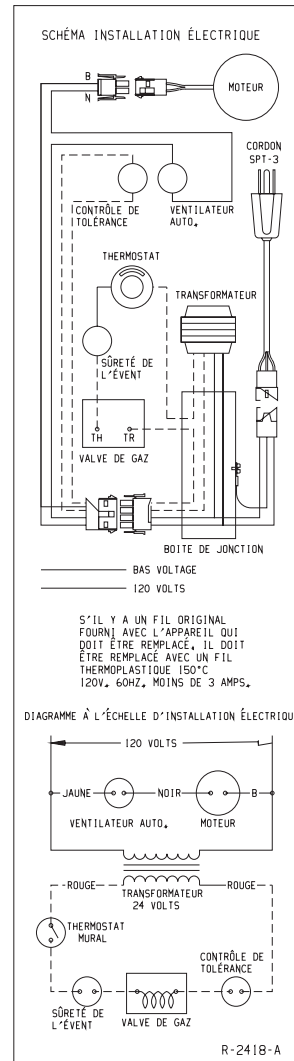


Figure 10

# POUR VOTRE SÉCURITÉ LIRE AVANT D'ALLUMER

**AVERTISSEMENT:** Si vous ne suivez pas exactement ces instructions, un feu ou une explosion peut se produire causant des dommages à la propriété, des blessures corporelles ou la mort.

A. Cet appareil a une veilleuse qui doit être allumée manuellement. Lorsque vous allumez la veilleuse, suivez exactement ces instructions.

B. AVANT D'ALLUMER, sentez partout dans l'appartement dans lequel l'appareil est situé pour déceler une odeur de gaz. Soyez certain de sentir près du plancher parce qu'il y a des gaz qui sont plus pesant que l'air et ceux-ci resteront sur le plancher.

## QUOI FAIRE SI VOUS SENTEZ LE GAZ

- N'essayez pas d'allumer un appareil.
- Ne touchez pas les interrupteurs électriques. N'utilisez pas les téléphones dans le bâtiment.
- Appeler immédiatement votre fournisseur de gaz en employant le téléphone de votre voisin. Suivre les

instructions du fournisseur de gaz.

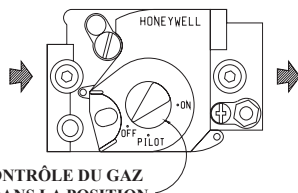
- Si vous ne pouvez pas contacter votre fournisseur de gaz, appeler le poste de pompiers.

C. Utiliser seulement votre main pour pousser ou tourner le bouton de contrôle de gaz. N'utiliser jamais des outils. Si vous ne pouvez pas pousser ou tourner le bouton avec vos mains, n'essayez pas de le réparer; appeler un technicien qualifié. Forcer ou essayer de réparer peut résulter en un feu ou une explosion.

D. Ne pas utiliser cet appareil si une pièce a été en contact avec l'eau. Appeler immédiatement un technicien qualifié pour inspecter le radiateur et remplacer toute pièce du système de commande et les commandes de gaz qui ont été en contact avec l'eau.

## INSTRUCTIONS D'ALLUMAGE

1. Arrêter! Lire les informations de sécurité ci-dessus.
2. Éteindre tout pouvoir électrique à l'appareil.
3. Enlever le panneau d'accès au contrôle (panneau du bas avant).
4. Tourner le bouton de contrôle de gaz dans le sens des aiguilles d'une montre à la position "fermé".

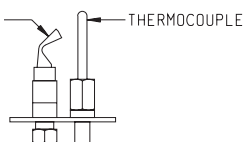


BOUTON DE CONTRÔLE DU GAZ  
REPRÉSENTÉ DANS LA POSITION  
"FERMÉ".

5. Attendre 10 minutes pour se débarrasser des gaz. Après les 10 minutes, sentir partout y compris près du plancher pour déceler une odeur de gaz. Si vous sentez le gaz, ARRÊTER! Suivre "B" dans les informations de sécurité ci-dessus. Si vous ne sentez aucun gaz, aller à la prochaine étape.

6. Enlever le couvercle d'accès à la veilleuse situé sur la chambre de combustion.

7. Trouver la veilleuse - suivre le tuyau de métal à partir du contrôle de gaz. La veilleuse est située entre les deux tuyaux des brûleurs, derrière le couvercle d'accès à la veilleuse.



8. Tourner le bouton de contrôle de gaz dans le sens opposé des aiguilles d'une montre à la position "veilleuse".

9. Pousser et garder complètement en bas le bouton rouge de remise à zéro et pousser à plusieurs reprises le bouton d'allumage jusqu'à ce que le brûleur de la veilleuse soit allumé. La veilleuse peut aussi être allumée avec une allumette. Continuer de tenir le bouton rouge de remise à zéro pour environ une minute après que la veilleuse soit allumée. Relâcher le bouton et il reviendra à sa position. La veilleuse est supposée rester allumer. Si elle s'éteint, recommencer les étapes 5 jusqu'à 10.

• Si le bouton ne revient pas à sa position lorsque vous le relâchez, arrêter et appeler immédiatement un technicien d'entretien ou le fournisseur de gaz.

• Si la veilleuse ne reste pas allumée après plusieurs essais, tourner le bouton de contrôle de gaz à la position "fermé" et appeler votre technicien d'entretien ou votre fournisseur de gaz.

10. Replacer le couvercle d'accès à la veilleuse.

11. Tourner le bouton de contrôle de gaz dans le sens opposé des aiguilles d'une montre à la position "ouvert".

12. Replacer le panneau d'accès au contrôle (panneau du bas avant).

13. Allumer tout le pouvoir électrique de l'appareil.

## POUR FERMER LE GAZ À L'APPAREIL

1. Si l'entretien doit être fait, éteindre tout le pouvoir électrique à l'appareil.

2. Enlever le panneau d'accès au contrôle (panneau du bas avant).

3. Pousser légèrement le bouton de contrôle de gaz et tourner dans le sens des aiguilles d'une montre à la position "fermé". Ne pas forcer.

4. Replacer le panneau d'accès au contrôle (panneau du bas avant).



# SUGGESTIONS POUR LE SERVICE ET L'ENTRETIEN.

## APPELER UN TECHNICIEN D'ENTRETIEN

**GÉNÉRAL :** Tous les radiateurs ont reçu un test d'allumage pour vérifier le bon fonctionnement. Ceci inclut la flamme du brûleur principal, la flamme de la veilleuse, le fonctionnement du ventilateur, le contrôle du ventilateur, le contrôle de tolérance et le fonctionnement de la valve automatique. Si le radiateur ne fonctionne pas à la première installation, nous vous suggérons de vérifier ce qui suit:

1. 115 volts à la boîte de jonction
2. Pression de gaz à l'arrivée
3. Le système de 24 volts
4. Le genre de gaz utilisé et montré sur la plaque d'identification.

Pour vous assister à l'entretien du radiateur, vous pouvez contacter le département de service à Empire Comfort Systems, Inc.

**Entretien de la veilleuse et des brûleurs principaux, ouverture de la veilleuse, thermocouple et ouvertures du brûleur principal:** Débrancher l'alimentation de gaz à l'entrée de la valve de contrôle. Enlever la porte du brûleur à laquelle les pièces composantes ci-dessus sont attachées.

**Entretien du moteur du ventilateur :** Le panneau de devant en haut, le blindage autour des ailettes du ventilateur et les ailettes du ventilateur doivent être enlevés. Voir le paragraphe "Huilage du moteur" en page 8.

L'allumage à étincelles n'allume pas la veilleuse: Lorsqu'il y a de l'air dans la ligne de gaz, par exemple lors de la première installation du radiateur ou à cause du non-fonctionnement durant l'été, la flamme de la veilleuse peut être trop faible pour s'enflammer lors des premiers essais. Tourner le bouton de la valve de contrôle à la position veilleuse et baisser le bouton rouge de remise à zéro. Tenir continuellement le bouton baissé pour drainer la ligne;

1. Utiliser une tige d'allumage pour allumer la veilleuse avec une allumette.
2. Utiliser le piezo-allumeur à 30 secondes d'intervalles jusqu'à ce qu'elle s'allume.

**Si l'électrode ne produit pas d'étincelle:**

1. Vérifier les connexions des fils électriques
2. Vérifier la distance du brûleur de la veilleuse au bout de l'électrode. Doit être entre 1/8" (3.2mm) et 3/16" (4.8mm). Le fil de l'électrode et le bout doivent être éloignés à plus de 1/4" (6.3mm) de toutes autres pièces métalliques.

**En aucune façon, la veilleuse ne s'allume pas:**

1. Vérifier le bouton de la valve, il doit être dans la position "veilleuse".
2. Vérifier l'ajustement de la veilleuse, il doit être complète-

ment ouvert (dans le sens opposé des aiguilles d'une montre pour "ouvert").

3. S'il y a du gaz dans le tuyau d'alimentation, l'ouverture de la veilleuse et/ou le brûleur de la veilleuse est probablement bouché par un fil d'araignées. Nettoyer l'assemblage de la veilleuse et réallumer.

**La veilleuse s'enflamme mais s'éteint lorsque le bouton est relâché:**

1. Suivre les instructions et appuyer sur le bouton plus longtemps et fermement.
2. Déterminer si la flamme de la veilleuse s'allonge au-delà du thermocouple; si non, ajuster l'arrivée ou nettoyer le brûleur de la veilleuse.
3. Remplacer le thermocouple si la lecture des millivolts est moindre que 15 millivolts.

**La veilleuse s'éteint lors d'une opération normale.**

1. Vérifier le tuyau d'entrée d'air pour qu'il soit bien ajusté aux deux extrémités [tuyau 6" (15.24cm) diamètre].
2. Vérifier que la porte du brûleur et le couvercle de l'ouverture de la veilleuse soient fermés hermétiquement.
3. Vérifier l'entrée avec un manomètre ou un gazomètre.

**Valve principale de gaz ne s'ouvre pas lorsque le thermostat est tourné à "ouvert":**

1. Vérifier que les 24 volts se rendent à la valve en enlevant un fil et en touchant à la MÊME BORNE qu'il était branché. Il y aura une petite étincelle à la borne. NE PAS COURT-CIRCUITER LES BORNES, LE THERMOSTAT MURAL BRÛLERA.
2. Les fils électriques du thermostat mural peuvent être court-circuités, ainsi vérifier pour un thermostat défectueux.
3. Pour vérifier le voltage dans la ligne au radiateur, enlever le panneau de devant en bas et le couvercle du compartiment d'interrupteur et court-circuiter deux bornes du contrôle du ventilateur pour permettre au ventilateur de fonctionner. (Figure 10)

**AVERTISSEMENT:** Lors de l'entretien des commandes, tous les fils doivent être identifiés avant de les débrancher. Une erreur de filetage peut entraîner un mauvais et dangereux fonctionnement. Vérifier que le fonctionnement soit convenable après l'entretien.

## Façon de Commander les Pièces de Réparation ...

Les pièces peuvent être commandées seulement par l'entremise du **technicien d'entretien ou du vendeur**. Pour de meilleurs résultats, le **technicien d'entretien ou le vendeur** devrait commander les pièces chez le distributeur. Les pièces peuvent être expédiées directement au technicien d'entretien ou au vendeur.

Toutes les pièces énumérées dans la liste ont un numéro de pièce. Lorsque vous commandez des pièces, premièrement obtenez le numéro du modèle sur la plaque d'identification de l'appareil. Puis en vous référant à l'illustration et à la liste des pièces, déterminer le numéro de la pièce (pas le numéro d'index) et la description de chaque pièce. Soyez certain de donner toutes ces informations ...

Numéro du modèle du radiateur \_\_\_\_\_ Description de la pièce \_\_\_\_\_

Numéro de série du radiateur \_\_\_\_\_ Numéro de la pièce \_\_\_\_\_

Sorte de Gaz (Propane ou Naturel) \_\_\_\_\_

Ne pas commander les boulons, les vis, les rondelles ou les écrous. Ce sont des pièces standard que vous pouvez acheter dans les quincailleries.

L'expédition des marchandises se fera sans délai, excepté en cas de grèves, de feux ou toutes autres circonstances indépendantes de notre volonté.

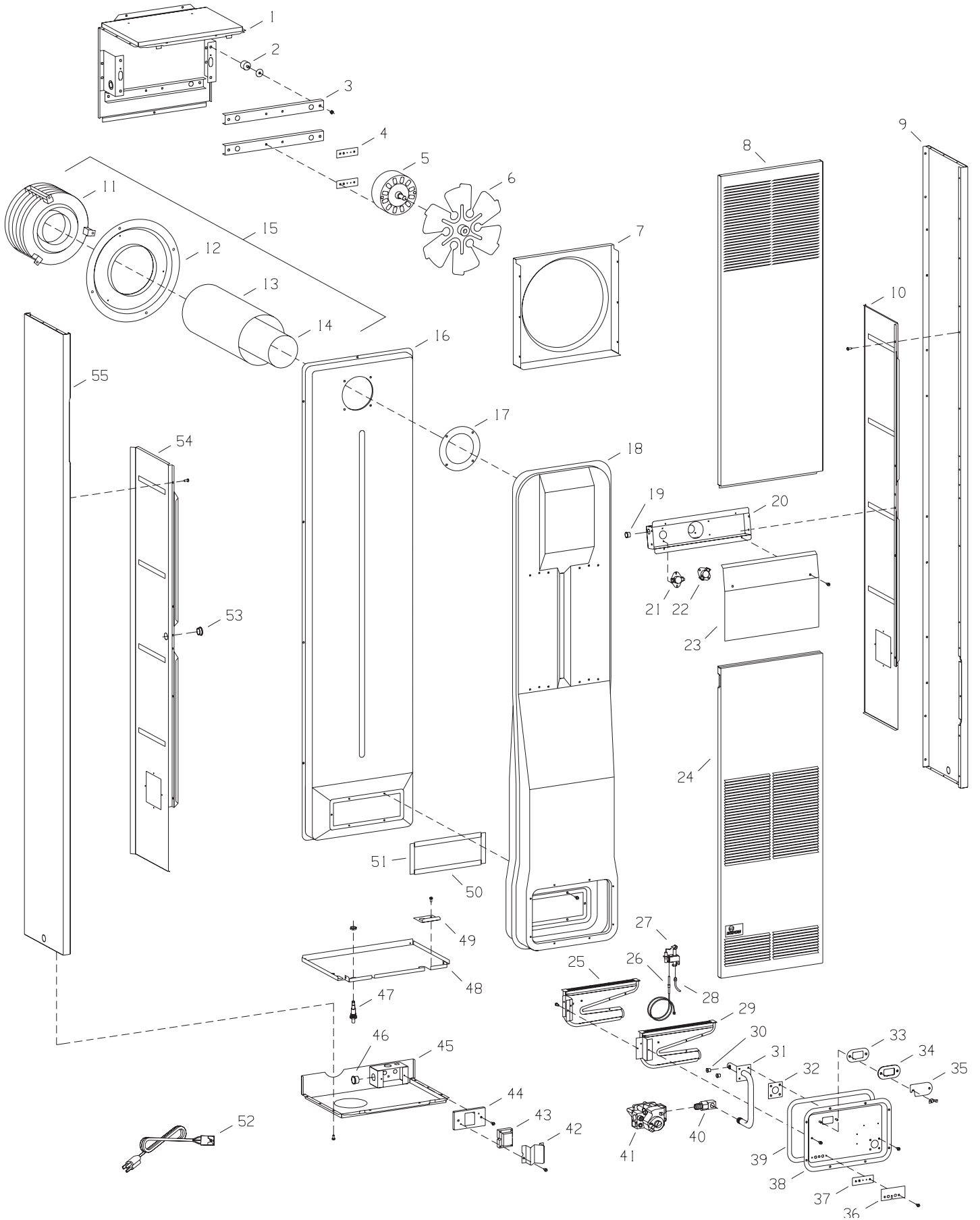
**S'IL VOUS PLAÎT NOTER:** Lorsque vous commandez les pièces, il est très important que le numéro de la pièce et la description coïncident.

Numéro d'index	Numéro de la pièce	Description
1	11763	Dessus de la paroi extérieure
2	R618	Fixation du moteur (exige quatre)
3	11764	Barres de montage du moteur (exige deux)
4	M147	Joint d'étanchéité (exige deux)
5	R619	Moteur
6	11787	Ailettes du ventilateur
7	11766	Bâti du ventilateur
8	DV559	Panneau de devant en haut
9	11759	Panneau du côté
10	DV613	Écran intérieur de droit
11	DV725	Capuchon d'évent
12	DV131	Plaque extérieure de montage
13	DV548	Tuyau d'arrivée d'air
14	DV524	Tuyau d'échappement
15	DV600	L'ensemble d'évent complet (numéro. 11, 12, 13, 14)
16	DV1386	Assemblage soudé de la descente d'air
17	M96	Joint d'étanchéité pour collet du tuyau d'échappement
18	DV579C	Assemblage soudé de la chambre de combustion
19	R1536	Manchon
20	11756	Assemblage du compartiment d'interrupteur
21	R630	Contrôle de tolérance
22	R1941	Contrôle du ventilateur
23	DV832	Couvercle du compartiment d'interrupteur
24	DV562	Panneau du bas avant
25	DV826	Assemblage du brûleur arrière
26	R685	Thermocouple
27	R622L	Veilleuse avec ouverture gaz propane
27	R622N	Veilleuse avec ouverture gaz naturel
28	DV808	Tuyauterie de la veilleuse
29	DV824	Assemblage du brûleur avant
30	P8842	Brûleur principal avec ouverture gaz naturel (exige deux)
30	P8853	Brûleur principal avec ouverture gaz propane (exige deux)
31	DV687	Tuyau de gaz et assemblage de plaques
32	M148	Joint d'étanchéité pour tuyau de gaz

Numéro d'index	Numéro de la pièce	Description
33	M155	Joint d'étanchéité pour couvercle de l'ouverture d'observation
34	DV781	Assemblage du couvercle de l'ouverture d'allumage avec mica transparent
35	DV064	Plaque de couverture pour l'ouverture d'observation
36	DV775	Support hermétique
37	M147	Joint d'étanchéité hermétique de la tubulure
38	DV847	Porte du brûleur gaz naturel
38	DV972	Porte du brûleur gaz propane
39	DV779	Joint d'étanchéité pour porte du brûleur
40	P112	Raccord du tuyau de gaz
41	R5655	Valve de gaz VR8200C gaz propane
41	R2148	Valve de gaz VR8200C gaz naturel
42	UH810	Support de montage pour transformateur
43	R1995	Transformateur
44	UH451	Couvercle pour boîte de jonction
45	DV967	Dessous de la paroi extérieure
46	8720148	Manchon
47	R2708	Piezo-allumeur
48	DV571	Division du compartiment des contrôles
49	DV671	Support du tuyau de gaz
50	DV765	Joint d'étanchéité pour la chambre d'entrée d'air (dessus et dessous) (exige deux)
51	DV764	Joint d'étanchéité pour la chambre d'entrée d'air (côtés) (exige deux)
52	R690	Cordon électrique
53	R1404	Manchon
54	DV614	écran intérieur gauche
55	11759	Panneau du côté
N/S	R1196D	Fil électrique du ventilateur et de tolérance
N/S	R6389	Thermostat mural de 24 volts
N/S	R734	Tige d'allumage
N/S	742265	Overture de la veilleuse (gaz propane)
N/S	R3469	Overture de la veilleuse (gaz naturel)

N/S - Pas représenté

**Utiliser seulement les pièces de remplacement du fabricant. L'emploi de d'autres pièces peut causer des blessures ou la mort.**





# GARANTIE

Empire Comfort Systems Inc. garantit que ce produit de chauffage individuel est exempt de défauts au moment de son achat et pendant les périodes indiquées ci-dessous. Les produits de chauffage individuel doivent être installés par un technicien qualifié et doivent être entretenus et utilisés de façon sécuritaire, en conformité avec les instructions du mode d'emploi. Cette garantie est accordée à l'acheteur initial seulement et n'est pas transférable. Toutes les réparations sous garantie doivent être exécutées par un technicien d'appareil au gaz qualifié.

## **Garantie limitée de dix ans sur les pièces – Chambre de combustion**

En cas de défaillance de la chambre de combustion (voir la nomenclature des pièces) en raison de défauts de pièces ou de main-d'œuvre dans les dix ans à compter de la date d'achat, Empire s'engage à la réparer ou à la remplacer, au choix d'Empire.

## **Garantie limitée d'un an sur les pièces – Télécommande, accessoires et pièces**

En cas de défaillance d'une télécommande, d'un accessoire ou autre pièce en raison de défauts de main-d'œuvre dans un délai d'un an à compter de la date d'achat, Empire s'engage à la réparer ou à la remplacer, au choix d'Empire.

## **Obligations du propriétaire**

L'appareil doit être installé par un installateur qualifié et utilisé en conformité avec les instructions fournies avec l'appareil. Conserver une facture, un chèque oblitéré ou un justificatif de paiement pour attester de la date d'achat et établir la période de garantie. Accès immédiat à l'appareil pour la réparation.

## **Ce qui n'est pas couvert**

Dommages pouvant résulter de l'emploi, de l'emploi abusif ou d'une installation incorrecte de cet appareil.  
Frais de déplacement, de diagnostic et de transport des pièces sous garantie vers et depuis l'usine.  
Réclamations qui n'impliquent pas des défauts de pièces ou de main-d'œuvre.  
Réparations ou remplacements de pièces non autorisés.  
Coûts de dépose et de remontage.  
Appareil inutilisable en raison d'un entretien incorrect ou insuffisant.

## **Comment recourir à la garantie**

Pour soumettre une réclamation en garantie, veiller à avoir le reçu à disposition et communiquer avec le revendeur installateur. Indiquer au revendeur le numéro de modèle, le numéro de série, le type de gaz et le justificatif d'achat. Le revendeur installateur a pour responsabilité d'assurer la réparation et s'adressera à l'usine pour mettre en œuvre tout remplacement de pièces sous garantie. Empire met les pièces de rechange à disposition à l'usine. Les frais de port ne sont pas couverts.

Si, après s'être adressé au revendeur Empire, le service reçu n'est pas satisfaisant, communiquer avec: Consumer Relations Department, Empire Comfort Systems Inc., PO Box 529, Belleville, Illinois 62222 (États-Unis) ou envoyer un courriel à [info@empirecomfort.com](mailto:info@empirecomfort.com) en indiquant « Consumer Relations » dans le champ de sujet.

## **Vos droits en vertu de la loi provinciale**

Cette garantie vous accorde des droits juridiques particuliers, toutefois vous pouvez avoir d'autres droits, qui varient d'une province à l'autre.





**Empire Comfort Systems Inc.  
Belleville, IL**

Pour toute question générale  
concernant nos produits, veuillez  
nous envoyer un courriel à  
[info@empirecomfort.com](mailto:info@empirecomfort.com).

Pour toute question d'entretien  
ou de réparation, veuillez  
contacter votre revendeur.

[www.empirecomfort.com](http://www.empirecomfort.com)