

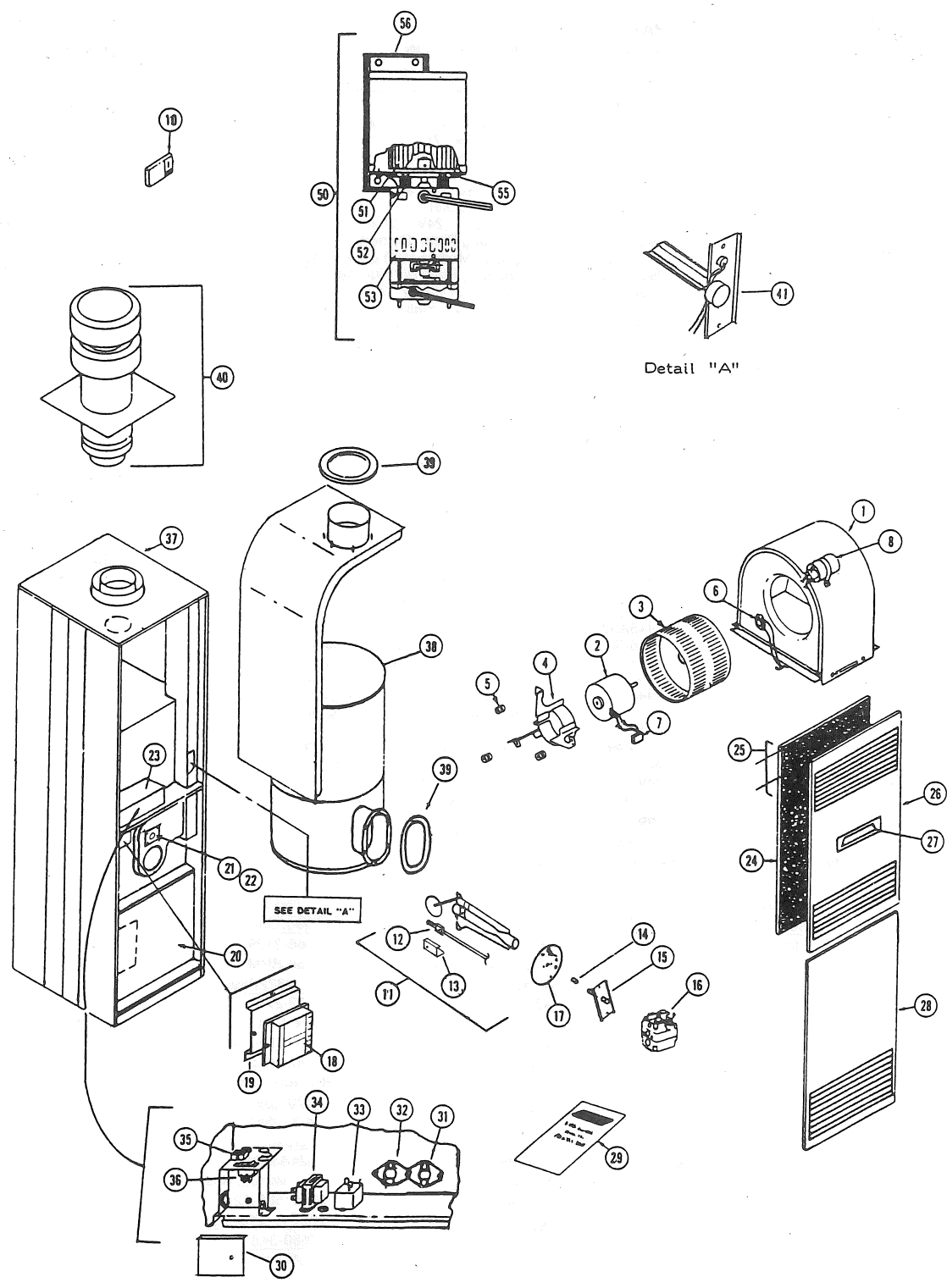
CLICK ANYWHERE on THIS PAGE to RETURN to COLEMAN HVAC HISTORY & GUIDES at InspectApedia.com



First Production Serial #039200000

7900/D Series
HSI Gas Downflow Furnace

MODEL	7956-656/D	7970-656/D	7995-656/D
BTU/IN	56,000	70,000	95,000
BTU/OUT	46,000	57,000	75,000



EVCON INDUSTRIES, INC.

P.O. Box 19014
Wichita, KS 67204-9014

7900/D Series
HSI Gas Downflow Furnace



CODE 14 - BURNER ORIFICE

Model	7956-656/D	7970-656/D	7995-656/D
Nat	9951-1281	9951-1491	9951-1801
LP	9951-0821	9951-0931	9951-1061

CODE	USED ON MODELS	NO. REQ.	PART NUMBER	DESCRIPTION	VENDOR
-	ALL		8B2461	Enamel (Spray 15 oz. Evcon Almond)	
1-9				Blower Parts (See Below)	
10	ALL	1	7700-3751	Thermostat (Adj. Ant.)	RS #60A-160-039
11	ALL	1	7970-5851	Burner Assy. (Less Gas Valve - Includes Codes 12, 13 & 17)	
12	ALL	1	1474-0521	Hot Surface Ignitor	Norton #201N(W)
13	ALL	1	7970-179	Ignitor Shield	
14				Note: See chart above for burner orifice number	
15	ALL	1	7945B5151	Valve Bracket	
16	ALL	1	7707-3261	Gas Valve (24V. .23 Amp. 1/2" x 3/8")	W-R #36C78-175
17	ALL	1	7945-1631	Mounting Plate (Burner)	
18	ALL	1	1474-0041	Ignition Module (120 & 24 V. AC- Triple Try)	RS #HS780-34NL-306A
19	ALL	1	7970-120	Mounting Plate (Ignition Module)	
20	ALL	1	7656A5201	Panel (Coil Cavity 19-13/16")	
21	ALL	1	7706-5251	Observation Plate (with Gasket)	
22	ALL	1	7706-3251	Gasket (Observation Plate)	
23	ALL	1	7945A1351	Cover (Control Box)	
24	ALL	1	7660-3401	Filter (19-3/8 x 35-3/4 x 1/4)	
25	ALL	2	7670-3451	Filter Retainer (PK'd. 2)	
26	ALL	1	7956-5231	Panel (Upper)	
27	ALL	1	1539-177	Coleman Evcon Logo (Presidential)	
28	ALL	1	7956-1571	Panel (Lower)	
29	ALL	1	1972-967/A	Customer Envelope	
30	ALL	1	7956-112	Junction Box Cover	
31	7956/D	1	7945-3281	Limit Switch (0-140° C-110°)	EX #402-679
	7970/D	1	7970-3281	Limit Switch (0-145° C-115°)	EX #402-680
	7995/D	1	7995-3281	Limit Switch (0-150° C-120°)	EX #402-681
32	7956/D, 7970/D	1	7660-3281	Fan Switch (C-110° 0-90°)	TOD #60T82 (200500)
	7995/D	1	7995-3351	Fan Switch (C-115° 0-95°)	TOD #60T82 (312661)
33	ALL	1	8665-5701	Booster Relay (8665-309)	RBM #84-50902-101
34	ALL	1	7945-3551	Transformer (115-24V. 15VA)	JARD #TA151224-B11
35	ALL	1	7956-598	Connector Cap (with Wires - Control Box)	
36	ALL	1	7970-3331	System Switch (On/Off/On)	
37	ALL	1	7945A5721	Casing Top	Carling #RC901-RB
38	7956/D	1	7956-5751	Heat Exchanger (with Gaskets)	
	7970/D	1	7975-5751	Heat Exchanger (with Gaskets)	
	7995/D	1	7995-5751	Heat Exchanger (with Gaskets)	
39	ALL	1	7945-3011	Gasket Pkg. (Heat Exchanger)	
40				Roof Jack (See #15 Catalog-Section 1A)	
41	ALL	1	7956-5771	Combustion Air Damper	
50	ALL	1	7995-6451	Booster Assy. (Includes Code 51 thru 56)	
51	ALL	1	8865-3611	Impeller (3-13/16 x 1 7/8 x 3/8)	Torr. #AA326-128
52	ALL	1	8865B1281	Motor Mount (Rubber 4/pkg.)	
53	ALL	1	7700B3149	Booster Motor - 3000 RPM	FASCO #7121-2842
55	ALL	1	8865A1471	Mount Plate (Booster Motor)	
56	ALL	1	7995A386	Booster Gasket	

BLOWERS (Heating Only - for air conditioning blowers see #15 Catalog - Section 1A)

CODE	MODEL	7956/D 7970/D	7995/D
1	Scroll	7966A530	7966A530
2	Motor	7966-311P 1/6 HP - 1100 RPM - 8.2 A. WEST. #322P289	1468-2129 1/4 HP - 1050 RPM - 6.0 A. WEST. #322P890
3	Blower Wheel (Dia.-Width Bore)	1472-2751 10 5/8 x 7 1/8 x 1/2 TORIN #1020-704-5 LAU #027855-10 MORR. #03-42001-0	1472-2751 10 5/8 x 7 1/8 x 1/2 TORIN #1020-704-5 LAU #027855-10 MORR. #03-42001-0
4	Motor Clamp	7670-5391	7670-5391
5	Motor Mount	7670-3551 (3/pkg.)	7670-3551 (3/pkg.)
6	Limit Switch (Upper)	7624A3591 Open 180° - Manual Reset TI #20615L5-A29 TOD #60T14 (205732)	7624A3591 Open 180° - Manual Reset TI #20615L5-A29 TOD #60T14 (205732)
7	Connector Plug	7680-348	7680-348
8	Run Capacitor	None	1499-4461

NOTE: All parts with three digit suffix numbers are "Special Order" Parts. These parts are subject to factory availability and require extra time for delivery.

Composite 7970-600/D