

# TECHNICAL GUIDE

---

## SEALED COMBUSTION DOWNFLOW GAS FURNACES

### MODELS: DGAX SERIES



## DESCRIPTION

The DGAX Series gas furnace is actually two systems in one. As a powerful air handler, it can handle up to 4 tons of cooling. As a gas furnace, its range of heating capacities make it a perfect match for the heating requirements of almost any manufactured home.

## FEATURES

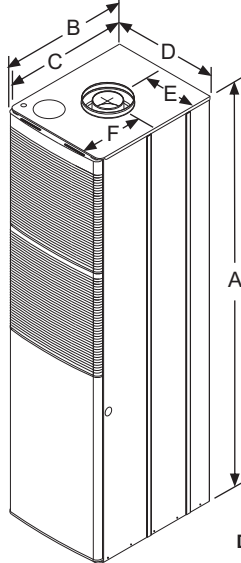
- **Zero Clearance Feature** - Allows these furnaces to be installed where space is a premium.
- **Molded Contoured White Upper Panel** - Provides an attractive modern appearance and offers a scratch-resistant, durable appliance finish.
- **Pre-Painted Contoured White Lower** - Panels provide an attractive scratch-resistant appliance finish.
- **Built-in Coil Cabinet** - Is design-matched to work in conjunction with Coleman heat pumps and air conditioners, providing ease of installation and highly efficient operating performance. (DGAX model).
- **Standard ECM Blower** - Provides energy efficiency while providing 5 speed tap options.
- **Air Conditioner Ready DGAX** - Models have blowers capable of handling up to 4 tons of air conditioning.
- **Aluminized Steel Heat Exchanger** - Provides efficient operation and unmatched corrosion resistance.
- **Universal Disposal Filters** - Clean the air and are easy to replace.
- **Sealed Combustion** - Design draws in combustion air directly from outside, providing quiet operation while increasing operating efficiency and reducing cold drafts.
- Conversion to propane gas is fast and easy. All models are provided with a convertible gas valve and gas orifices for both natural and propane gas.

Due to continuous product improvement, specifications are subject to change without notice.

Additional efficiency rating information can be found at [www.gamanet.org](http://www.gamanet.org).

	Inches	c.m.
A	76"	193.0
B	24-3/4"	62.9
C	23"	58.4
D	19-1/2"	49.5
E	9-3/4"	24.8
F	12"	30.5

.3" Ext. Static Duct Pressure -  
No Coil - Std. Blower - High Speed



**DGAX SERIES**

A1111-001

**TECHNICAL SPECIFICATIONS**

MODEL NUMBER	DGAX056BDTA	DGAX070BDTA	DGAX077BDTA	DGAX090BDTA
Factory Equipped Fuel	Natural Gas			
Ignition Type	Automatic Hot Surface Ignition			
A/C Controls	A/C Ready			
Input Rate, BTUH	56,000	70,000	77,000	90,000
Output, BTUH	45,000	56,000	62,000	72,000
AFUE, % (Nat./LP)	80.0	80.0	80.0	80.0
High Altitude	For elevations above 2,000 feet, reduce input 4% for each 1,000 feet of elevation above sea level			
Air Temperature RiseRange, °F	45-75			
Designed Maximum Outlet Air Temperature, °F	165			
Maximum External Static Pressure, in. W.C.	0.3			
Furnace Flue Pipe	Must use 4000 Series Roof Jacks			
Gas Connection	1/2" NFPT			
Electric Service	115 VAC, 60 Hz, 1 Phase			
Fuse or Circuit Breaker	15 Amp			
Thermostat Circuit	24 VAC 60 Hz			
Filters	Two 16" x 20" x 1"			

MINIMUM DISTANCE TO COMBUSTIBLE MATERIALS														
Application	Top		Front		Rear		Sides		Roof Jack Flue		Floor <sup>1</sup>		Duct <sup>1</sup>	
	Closet	Alcove	Closet	Alcove	Closet	Alcove	Closet	Alcove	Closet	Alcove	Closet	Alcove	Closet	Alcove
	In.	In.	In.	In.	In.	In.	In.	In.	In.	In.	In.	In.	In.	In.
<b>Downflow</b>	2	2	6	24	0	0	0	0	0	0	0	0	0	0

1. Approved duct connector required for use on combustible floor.

**BLOWER PERFORMANCE CFM - DOWNFLOW WITHOUT FILTERS**

Models	BTU/H (kW) Input/Output	Speed Tap	Airflow Data (SCFM)									
			Ext. Static Pressure (in. H <sub>2</sub> O)									
			Without Coil					With Coil				
			0.1	0.2	0.3	0.4	0.5	0.1	0.2	0.3	0.4	0.5
DGAX056	56/45 (16.4/13.1)	High	1441	1404	1366	1332	1292	1342	1311	1278	1250	1224
		Medium High	1233	1197	1164	1130	1094	1164	1138	1111	1083	1051
		Medium	1074	1035	998	964	922	1016	989	960	928	898
		Medium Low	1000	962	923	885	845	953	923	890	854	821
		Low	731	687	637	588	529	689	664	620	574	529
DGAX070	70/56 (20.5/16.4)	High	1441	1404	1366	1332	1292	1342	1311	1278	1250	1224
		Medium High	1233	1197	1164	1130	1094	1164	1138	1111	1083	1051
		Medium	1074	1035	998	964	922	1016	989	960	928	898
		Medium Low	1000	962	923	885	845	953	923	890	854	821
		Low	731	687	637	588	529	689	664	620	574	529
DGAX077	77/62 (22.5/18.5)	High	1441	1404	1366	1332	1292	1342	1311	1278	1250	1224
		Medium High	1233	1197	1164	1130	1094	1164	1138	1111	1083	1051
		Medium	1074	1035	998	964	922	1016	989	960	928	898
		Medium Low	1000	962	923	885	845	953	923	890	854	821
		Low	731	687	637	588	529	689	664	620	574	529
DGAX090	90/72 (26.3/21.1)	High	1441	1404	1366	1332	1292	1342	1311	1278	1250	1224
		Medium High	1233	1197	1164	1130	1094	1164	1138	1111	1083	1051
		Medium	1074	1035	998	964	922	1016	989	960	928	898
		Medium Low	1000	962	923	885	845	953	923	890	854	821
		Low	731	687	637	588	529	689	664	620	574	529

Use Low speed tap(5) for DGAX056 for compliance with Fan Efficiency Rating test.

Use Medium Low(4) speed tap for DGAX070 for compliance with Fan Efficiency Rating test.

Use Medium(3) speed tap for DGAX077 for compliance with Fan Efficiency Rating test.

Use Medium High(2) speed tap for DGAX090 for compliance with Fan Efficiency Rating test.

Applications with static pressures higher than 0.3" are not recommended.

**ACCESSORIES**

MODEL NO.	DESCRIPTION	USED WITH
S1-1PS0166	High Altitude Kit for Natural Gas	All Models
S1-1PS0167	High Altitude Kit for Propane (LP) Gas	All Models
7900-7631	Upper Furnace Door	All Models

# NOTES