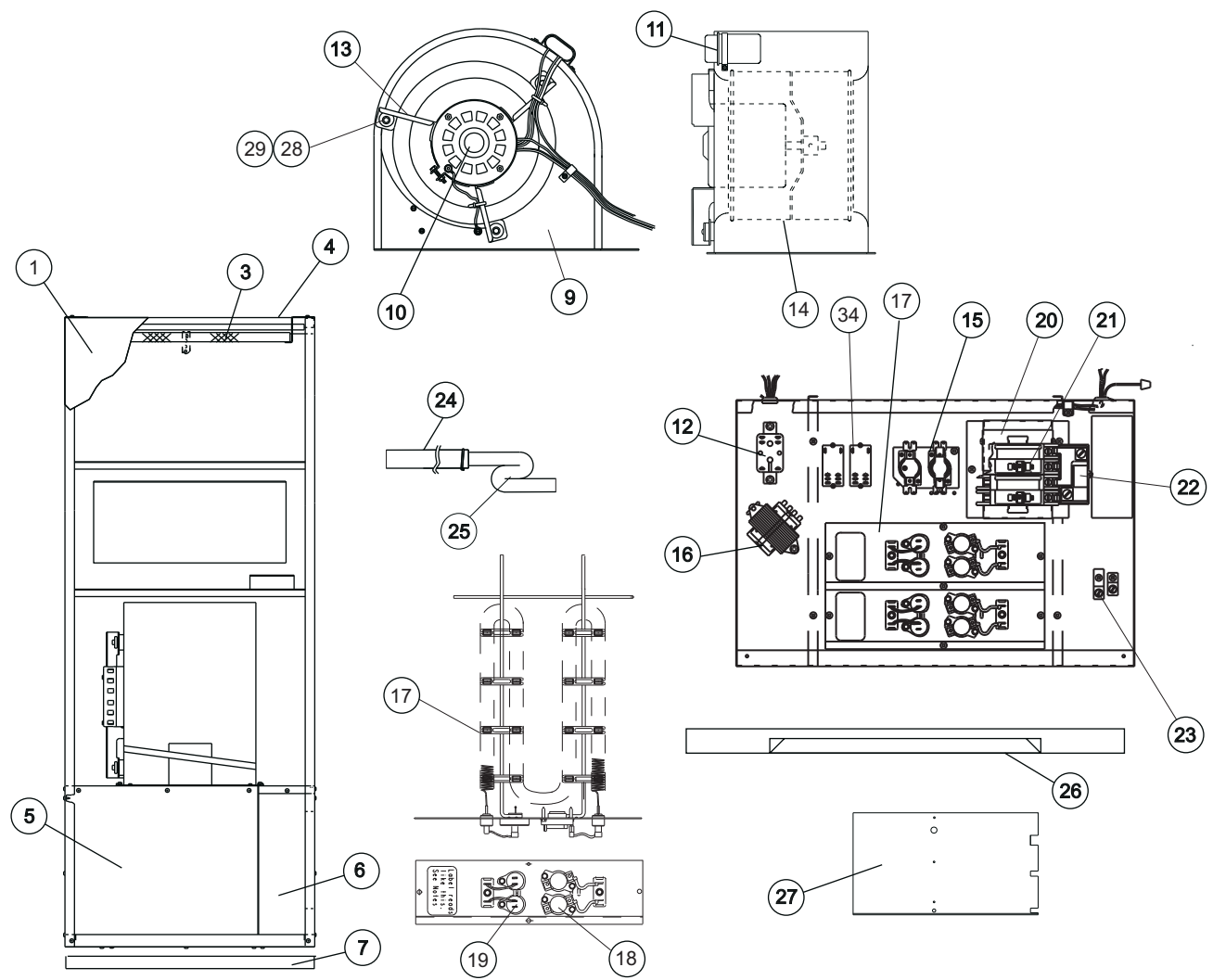


CLICK ANYWHERE on THIS PAGE to RETURN to COLEMAN HVAC HISTORY & GUIDES at InspectApedia.com

# EBE SERIES DOWNFLOW ELECTRIC FURNACE STD. ECM MOTOR (STYLE A)

Supersedes: Nothing

035-26491-001 Rev. A (1117)



ITEM	DESCRIPTION	EBE10A	EBE12A	EBE15A	<
1	Front Panel (Louvered, Insulated)	3501-9211	3501-9211	3501-9211	
2* (Opt)	Front Panel (Solid, Insulated)	3501-9111	3501-9111	3501-9111	
3	Filter (16 x 20 x 1)	S1-1214-2511	S1-1214-2511	S1-1214-2511	
4	Support Angle.Top (Door)	S1-3500-1861	S1-3500-1861	S1-3500-1861	
5	Cover, Electric Box	S1-3500-2351/A	S1-3500-2361/A	S1-3500-2361/A	
6	Cover (Service Entrance)	S1-3500-1271	S1-3500-1271	S1-3500-1271	
7	Sub-base	S1-3500-1071/B	S1-3500-1071/B	S1-3500-1071/B	
8					
9	Blower Housing	S1-37323744001	S1-37323744001	S1-37323744001	
10	Blower Motor, Std. ECM (Prgm)	<b>S1-02439707000</b>	<b>S1-02439707000</b>	<b>S1-02439707000</b>	
11	Capacitor, Run	---	---	---	
12	Relay, Fan	---	---	---	
13	Motor Mount Assembly Kit (1PC)	S1-37319831002	S1-37319831002	S1-37319831002	
14	Blower Wheel	S1-02632627700	S1-02632627700	S1-02632627700	
15	Sequencer	S1-3110-3571	S1-3110-3571	S1-3115-3571	
16	Transformer (240/24V-40A)	S1-3300-3861	S1-3300-3861	S1-3300-3861	
17	Heater Element Assembly w/Limit and Jumper Wire	(9.6Kw) S1-02541236000	(11.2Kw) S1-02541238000	(4.8Kw) & (9.6Kw) S1-02541237000 S1-02541236000	
18	Limit Switch	S1-02541249000 (Open 200, Close 140)	S1-02541249000 (Open 200, Close 140)	S1-02541249000 (Open 200, Close 140)	
19	Fusible Link	S1-02541250000	S1-02541250000	S1-02541250000	
20	Bracket (Circuit Breaker)	3500-128	3500-128	3500-128	
21	Circuit Breaker (1 Req'd)	S1-3500-377P/A	---	---	
	Circuit Breaker (2 Req'd)	---	S1-3500-377P/A	S1-3500-377P/A	
22	Buss Bar (See Note 2)	S1-3500-378P	S1-3500-378P	S1-3500-378P	
23	Ground Lug (Large)	1216-231	1216-231	1216-231	
	Ground Lug (Small)	---	---	S1-02521798000	
24	Drain Tube (See Note 1)	S1-02922184001	S1-02922184001	S1-02922184001	
25	Condensate Trap (See Note 1)	S1-3240-3051	S1-3240-3051	S1-3240-3051	
26	Coil Shelf (See Note 1)	3500-174	3500-174	3500-174	
27	Coil Shelf Panel (See Note 1)	3500-171	3500-171	3500-171	
28	Ferrule (3 Req'd)	S1-02320541000	S1-02320541000	S1-02320541000	
29	Grommet (3 Req'd)	S1-02814740000	S1-02814740000	S1-02814740000	
30	Fuse	S1-02532746026	S1-02532746026	S1-02532746026	
31*	Wiring diagram	5395383	5395384	5395385	
32*	Harness, Wire, ECM	<b>S1-02550192000</b>	<b>S1-02550192000</b>	<b>S1-02550192000</b>	
33*	Cover, Service	S1-3500-1271	S1-3500-1271	S1-3500-1271	
34	Relay, Control (1 Req'd)	S1-02436281000	S1-02436281000	---	
	Relay, Control (2 Req'd)	---	---	S1-02436281000	

**NOTE:** \*Not Shown

New replacement parts shown in **bold** face type at the first printing of parts list dated 11/17.

Major components and suggested stocking items are shown with shaded item number.

"<" Across from row indicates a change in that row.

--- Not applicable to specified model.

All parts with three digit suffix numbers are "Special Order" parts. These parts are subject to factory availability and require extra time for delivery.

1 Not Standard with furnace, contained in accessory kit no. 3500-8981.

2 Standard on EBE12A.

ITEM	DESCRIPTION	EBE17A	EBE20A	EBE23A
1	Front Panel (Louvered, Insulated)	3501-9211	3501-9211	3501-9211
2* (Opt)	Front Panel (Solid, Insulated)	3501-9111	3501-9111	3501-9111
3	Filter (16 x 20 x 1)	S1-1214-2511	S1-1214-2511	S1-1214-2511
4	Support Angle, Top (Door)	S1-3500-1861	S1-3500-1861	S1-3500-1861
5	Cover, Electric Box	S1-3500-2361/A	S1-3500-2361/A	S1-3500-2361/A
6	Cover (Service Entrance)	S1-3500-1271	S1-3500-1271	S1-3500-1271
7	Sub-base	S1-3500-1071/B	S1-3500-1071/B	S1-3500-1071/B
8				
9	Blower Housing	S1-37323744001	S1-37323744001	S1-37323744001
10	Blower Motor, Std. ECM (Prgm)	<b>S1-02439707000</b>	<b>S1-02439707000</b>	<b>S1-02439707000</b>
11	Capacitor, Run	---	---	---
12	Relay, Fan	---	---	---
13	Motor Mount Assembly Kit (1PC)	S1-37319831002	S1-37319831002	S1-37319831002
14	Blower Wheel	S1-02632627700	S1-02632627700	S1-02632627700
15	Sequencer	S1-3115-3571	S1-3120A3571	S1-3120A3571
16	Transformer (240/24V-40A)	S1-3300-3861	S1-3300-3861	S1-3300-3861
17	Heater Element Assembly w/Limit and Jumper Wire	(5.6Kw) & (10.4Kw) S1-02541239000 S1-02541240000	2 Ea. (9.6Kw) S1-02541236000	(10.4Kw) & (11.2Kw) S1-02541240000 S1-02541238000
18	Limit Switch	S1-02541249000 (Open 200, Close 140)	S1-02541249000 (Open 200, Close 140)	S1-02541249000 (Open 200, Close 140)
19	Fusible Link	S1-02541250000	S1-02541250000	S1-02541250000
20	Bracket (Circuit Breaker)	3500-128	3500-128	3500-128
21	Circuit Breaker (2 Req'd) (See Note 2)	S1-3500-377P/A	S1-3500-377P/A	S1-3500-377P/A
22	Buss Bar	S1-3500-378P	S1-3500-378P	S1-3500-378P
23	Ground Lug (Large)	1216-231	1216-231	1216-231
	Ground Lug (Small)	S1-02521798000	S1-02521798000	S1-02521798000
24	Drain Tube (See Note 1)	S1-02922184001	S1-02922184001	S1-02922184001
25	Condensate Trap (See Note 1)	S1-3240-3051	S1-3240-3051	S1-3240-3051
26	Coil Shelf (See Note 1)	3500-174	3500-174	3500-174
27	Coil Shelf Panel (See Note 1)	3500-171	3500-171	3500-171
28	Ferrule (3 Req'd)	S1-02320541000	S1-02320541000	S1-02320541000
29	Grommet (3 Req'd)	S1-02814740000	S1-02814740000	S1-02814740000
30	Fuse	S1-02532746026	S1-02532746026	S1-02532746026
31*	Wiring diagram	5395387	5395388	5395389
32*	Harness, Wire, ECM	<b>S1-02550192000</b>	<b>S1-02550192000</b>	<b>S1-02550192000</b>
33*	Cover, Service	S1-3500-1271	S1-3500-1271	S1-3500-1271
34	Relay, Control (2 Req'd)	S1-02436281000	S1-02436281000	S1-02436281000

**NOTE:** \*Not Shown

New replacement parts shown in **bold** face type at the first printing of parts list dated 11/17.

Major components and suggested stocking items are shown with shaded item number.

"<" Across from row indicates a change in that row.

--- Not applicable to specified model.

All parts with three digit suffix numbers are "Special Order" parts. These parts are subject to factory availability and require extra time for delivery.

1 Not Standard with furnace, contained in accessory kit no. 3500-8981.

**TO ORDER AUTHORIZED FACTORY REPLACEMENT PARTS** - Contact your Source1 HVAC Parts Distributor or visit our website at **[www.Source1Parts.com](http://www.Source1Parts.com)** for a Distributor and Dealer listing.