

## USER'S INFORMATION MANUAL

**WARNING: If the information in this manual is not followed exactly, a fire or explosion may result, causing property damage, personal injury, or loss of life.**

- Do not store or use gasoline or other flammable vapors and liquids in the vicinity of this or any other appliance.
- **WHAT TO DO IF YOU SMELL GAS**
  - Do not try to light any appliance.
  - Do not touch any electrical switch; do not use any phone in your building.
  - Immediately call your gas supplier from a neighbor's phone. Follow the gas supplier's instructions.
  - If you cannot reach your gas supplier, call the fire department.
- Installation and service must be performed by a qualified installer, service agency, or the gas supplier.

### Operation Sequence

1. Set thermostat(s) above room temperature to initiate call for heat.
2. Spark will turn on and pilot gas valve will open. Pilot will ignite when gas reaches pilot burner.
3. Main gas valve opens and main burner(s) ignite.

Should overheating occur or the gas supply fail to shut off, do not turn off or disconnect electrical supply to pump. Instead, shut off gas supply at location external to appliance.

### MAINTENANCE

1. Before each heating season or annually. Contact a qualified service agency to examine flue passages between boiler sections, vent system, and main burner per instructions in Installation, Operation & Maintenance manual.
2. Continuously. Keep boiler area clear and free from combustible materials, gasoline and other flammable vapors or liquids. Remove any obstructions to flow of combustion air and ventilation air to appliance.
3. Monthly. Inspect air intake and vent system for deterioration, leakage, sagging, or obstructed materials. Contact a qualified service agency to repair, as necessary.
4. Rollout Switch (Flame Rollout Safety Shutoff). A temperature sensitive fusible link device located on boiler base just above burners. Rollout switch interrupts flow of main burner gas if flue passages become blocked.

Do not attempt to place boiler in operation if rollout switch activates to shut off main burner gas. Contact a qualified service agency to remedy flue passage blockage, install replacement rollout switch specified by manufacturer, and restore/verify proper operation.

5. Spill Switch (Blocked Vent Shutoff System). A manual reset disc thermostat located at the draft diverter relief opening. Spill switch interrupts flow of main burner gas if chimney or vent system becomes blocked.



Do not attempt to place boiler in operation if spill switch activates to shut off main burner gas. Contact a qualified service agency to remedy chimney or vent system blockage and restore/verify proper operation.

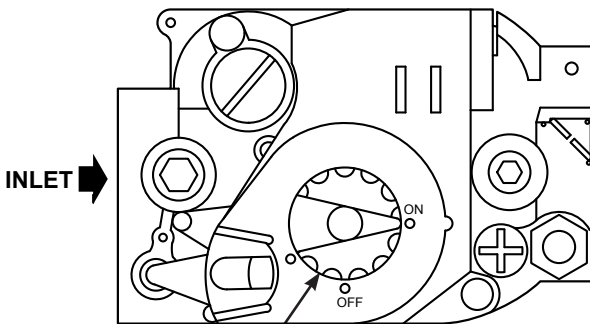
## FOR YOUR SAFETY READ BEFORE OPERATING

- A. This appliance equipped with an ignition device which automatically lights pilot. Do not try to light pilot by hand.
- B. BEFORE OPERATING smell all around appliance area for gas. Be sure to smell next to floor because some gas is heavier than air and will settle to floor. Follow instructions on other side if you smell gas.
- C. Use only your hand to turn gas control knob. Never use tools. If knob will not turn by hand, don't try to repair it, call a qualified service technician. Force or attempted repair may result in fire or explosion.
- D. Do not use this appliance if any part has been under water. Immediately call a qualified service technician to inspect appliance and to replace any part of control system and any gas control which has been under water.

---

## OPERATING INSTRUCTIONS


1. STOP! Read the safety information above in this manual.
2. Set the thermostat to the lowest setting.
3. Turn off all electric power to the appliance.
4. This appliance is equipped with an ignition device which automatically lights the burner. DO NOT try to light the burner by hand.
5. Remove lower front panel.
6. Turn clockwise  to "OFF".
7. Wait five (5) minutes to clear out any gas. Then smell for gas, including near the floor. If you smell gas, STOP! Follow the safety information above in this manual. If you don't smell gas, go to the next step.
8. Turn gas control knob counterclockwise  to "ON".
9. Replace the lower front panel.
10. Turn on all electric power to the appliance.
11. Set the thermostat to the desired setting.
12. If the appliance will not operate, follow the instructions "TO TURN OFF GAS TO APPLIANCE" and call your service technician or gas supplier.



Gas control knob shown in ON position

---

## TO TURN OFF GAS TO APPLIANCE

1. Set thermostat to lowest setting.
2. Turn off all electric power to appliance if service to be performed.
3. Push in gas control knob slightly and turn clockwise  to OFF. Do not force.