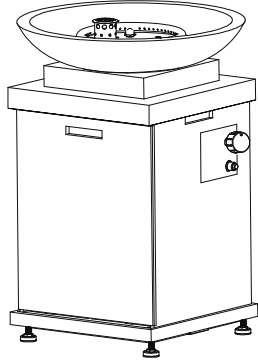


OWNERS MANUAL

▲ READ BEFORE USE!

Series No.: _____ Style No.: 2 2 1 8 2 0



▲ WARNING



USE LIQUID PROPANE GAS ONLY!

- Do not store or use gasoline or other flammable vapors and liquids in the vicinity of this or any other appliance.
- Service must be performed by a qualified installer, service agency or the gas supplier.
- **WHAT TO DO IF YOU SMELL GAS:**
 - Do not try to light any appliance.
 - Immediately shut off gas supply at tank.
- Do not touch any electrical switch; do not use any phone in your room.
- Immediately call your gas supplier from a neighbor's phone. Follow the gas supplier's instructions.
 - If you cannot reach your gas supplier, call the fire department.

▲ WARNING

**For Outdoor Use Only!
Use Liquid Propane Gas (LP-Gas) Only !**

▲ Propane cylinders sold separately.

▲ WARNING

Improper installation, adjustment, alteration, service or maintenance can cause injury or property damage. Read the owners manual thoroughly before installing or servicing this equipment. If the information in this manual is not followed exactly, a fire or explosion may result causing property damage, personal injury or loss of life.

▲ WARNING

Turn off gas supply when the fire pit is not in use.

▲ WARNING

Battery may contain mercury. Do not deposit in fire or put in trash. Recycle the battery as hazardous waste.

▲ If the fire pit is stored indoors, detach and leave LP-Gas cylinder outdoors.

▲ WARNING

This fire pit must be attended at all times!



▲ DANGER

Failure to follow the Dangers, Warnings and Cautions contained in this Owner's Manual may result in serious bodily injury or death, or in a fire or an explosion causing damage to property. **During Ignition procedure, one should NEVER get his/her face close to and or above the Burner. In case of the unnoticed flame may suddenly be lit up and causing injury.**



WARNING

- *Do not use this fire pit for cooking.
- *Remove the PVC Cover from the fire pit before operating the appliance.
- *Do not lay the PVC Cover over the fire pit until it is turned off and completely cooled down.
- *Do not burn any other materials than are supplied with and intended for use in this fireplace.
- *Do not pour water into fireplace.
- *The installation of this product must conform with local codes or, in the absence of local codes, with either the National Fuel Gas Code, ANSI Z223.1/NFPA 54, or CAN/CGA-B149.1, National Gas and Propane Installation Code.
- *Do not use this fireplace if any part has been under water.
- *Do not store a spare or disconnected liquid propane cylinder under or near this fireplace.
- *After a period of storage, and/or non use, the propane fireplace should be checked for gas leaks and burner obstructions before use.
- *Do not operate the propane fireplace if there is a gas leak present.
- *Never use a flame to check for gas leaks.
- *Combustible materials should never be within 10 feet of the top, back or sides of your propane fireplace.
- *The propane fireplace should never be used by children. Children must be supervised when they are anywhere near the appliance.
- *Users should be alerted to the hazards of high surface temperatures and keep a safe distance to avoid burning or clothing ignition.
- *Pay attention when operating the fire pit. It is hot in use and should never be left unattended. Do not transit it while in operation.
- *Should fire go out while burning, turn the gas valve off. Follow the instruction and wait five minutes before attempting to relight.
- *Never use charcoal or any other solid fuel in the fire pit. Never parch clothing or other flammable materials on or near the fire pit.
- *Never lean over the open fireplace or place hands or fingers on the upper portion of an operational unit.
- *Keep ventilation openings in cylinder enclosure(FIREPLACE BODY) free and clear of debris.
- *Do not rest feet on the fireplace.
- *Please take out the battery when not using the fireplace for an extended length of time.
- *Do not enlarge valve orifices or burner ports when cleaning the valve or burner.
- *Cylinder supply system must be arranged for vapor withdrawal
- *LP Tank used must include a collar to protect the cylinder valve
- *Never fill the cylinder beyond 80% full
- *Liquid propane gas is not natural gas. Only use propane for this fire pit.
- *The conversion or attempted use of natural gas in a liquid propane unit or liquid propane gas in a natural gas unit is dangerous.
- *Do not use this fire pit on vehicles or boats. Always operate the appliance on flat ground outdoors.
- *Keep any electrical supply cord and the fuel supply hose away from any heated surfaces.
- *Do not use this fireplace unless all parts are in place.
 - * Any guard or other protective device removed for servicing this appliance must be replaced prior to operating this appliance.
 - * The maximum inlet gas supply pressure of 11" W.C.
 - * This appliance is designed for use with a 20 lb. liquid propane gas(LP) tank, not included with this fireplace. Never connect your fireplace to an LP gas tank that exceeds this capacity. A tank of approximately 12 inches in diameter by 18-1/2 inches high is the maximum size LP gas tank to use. A propane tank with an OPD (Overfill Prevention Device) must be used. The LP gas tank must be constructed and marked in accordance with the specifications for LP-Gas Cylinders of the U.S. Department of Transportation (DOT) or the National Standard of Canada, CAN/CSA-B 339, cylinders, Spheres and Tubes for Transportation of Dangerous Goods; and Commission, as applicable
- * Lighting and Shutdown instructions and control operation with pictorial representation.
- * Cylinders must be stored outdoors in a well-ventilated area out of the reach of children.
 - Disconnected cylinders must have valve plugs tightly installed and must not be stored in a building garage or any other enclosed area.

FOR LIQUID PROPANE GAS UNITS

- *The gas pressure regulator provide with the propane fire pit must be used.
- *Do not attempt to disconnect the gas regulator or any gas fitting while your fireplace is in operation.
- *A dented or rusty liquid propane cylinder may be hazardous and should be checked by your gas supplier prior to use.
- *Do not use a liquid propane cylinder with a damaged valve and any other worn out parts.
- *Transit and store the empty gas cylinders carefully and properly.
- *If you see, smell or hear the hiss of escaping gas from the liquid propane cylinder:
 1. Turn off the gas supply and get away from the gas cylinder and the fire pit at once.
 2. Do not attempt to correct the problem yourself.
 3. Get to your gas supplier and/or the fire department for help.

Children and adults should be alerted to the hazards of high surface temperatures and should stay away to avoid burns or clothing ignition.

- Young children should be carefully supervised when they are in the area of the appliance.
- Clothing or other flammable materials should not be hung from the appliance, or placed on or near the appliance.
- Any guard or other protective device removed for servicing the appliance must be replaced prior to operating the appliance.
- Installation and repair should be done by a qualified service person. The appliance should be inspected before use and at least annually by a qualified service person. More frequent cleaning may be required as necessary. It is imperative that control compartment, burners and circulating air passageways of the appliance be kept clean.
- The appliance should be inspected before use and at least annually by a qualified service person.

Immediately call a qualified service technician to inspect the appliance and to replace any part of the control system and any gas control which has been under water.”

- Instructions to the effect that this appliance shall be used only outdoors in a well-ventilated space and shall not be used in a building, garage or any other enclosed area.
- Procedure of how to disconnect the LP-gas supply cylinder.

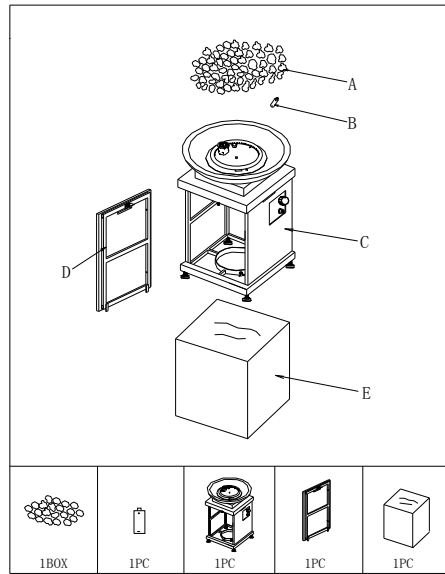
WARNING: Improper installation, adjustment, alteration, service or maintenance can cause injury or property damage. Refer to the owner’s information manual provided with this appliance. For assistance or additional information consult a qualified installer, service agency or the gas supplier.

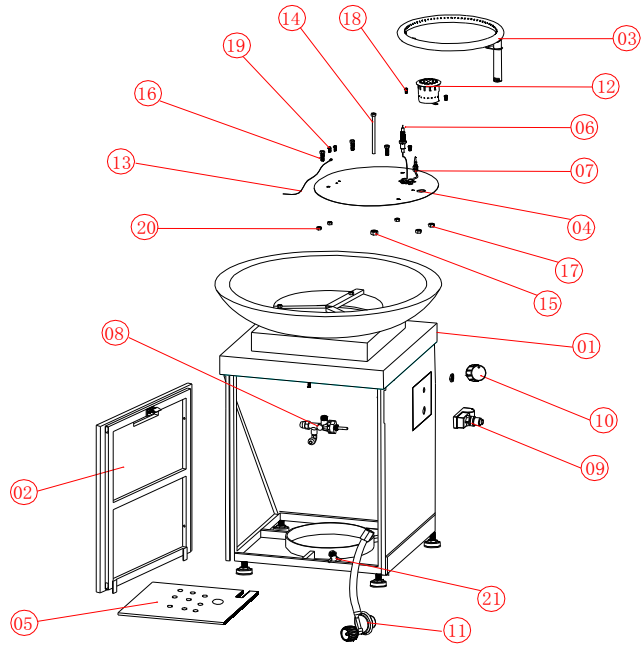
The LP-gas supply cylinder must be disconnected when this appliance is not in use

Only cylinder marked “propane” shall be used.

Accessories

ITEM	DESCRIPTION	QTY
A	LAVA ROCKS	1 BOX
B	BATTERY(AAA)	1PC
C	FIREPLACE	1PC
D	DOOR	1PC
E	PVC COVER	1PC





ITEM NO.	SPECIFICATION	QTY	PARTS NO.	ITEM NO.	SPECIFICATION	QTY	PARTS NO.
1	Body	1	B3020501	14	M5*125cross recessed round head screws	1	B3020515
2	Door	1	B3020502	15	M5 Hex Nut	1	B3020516
3	Burner	1	B3020503	16	M6*15 Hex Screw	3	B3020517
4	Fire Bowl	1	B3020504	17	M4 Hex Nut	2	B3020518
5	Heat Insulation Board	1	B3020505	18	M4*12cross recessed round head screws	2	B3020519
6	Ignition Pin	1	B3020506	19	M4*12cross recessed round head screws	3	B3020520
7	Thermocouple	1	B3020507	20	M4 Nut	3	B3020521
8	Gas Valve/Control Knob	1	B3020508	21	M8*30 Wing Screw	1	B3020522
9	Pulse Ignition	1	B3020509				
10	Inside magnet	1	B3020510				
11	Regulator	1	B3020511				
12	Guard	1	B3020512				
13	Grounding Wire	1	B3020513				

ASSEMBLY INSTRUCTIONS

* Please keep this owners manual for future reference.

***If you have opened the carton and removed all packages, please disregard the STEP 1 and 2. See the STEP 3 directly.**

STEP 1.

(1) Open the carton and turn it upside down, make sure the 4 flaps of the carton being open up as below **Figure STEP 1**.

(2) Lift off the carton carefully and be wary of the accessories inside falling away. Take away the box containing lava rocks.

(3) Take all the packing materials away.

See **Figure STEP 1**.

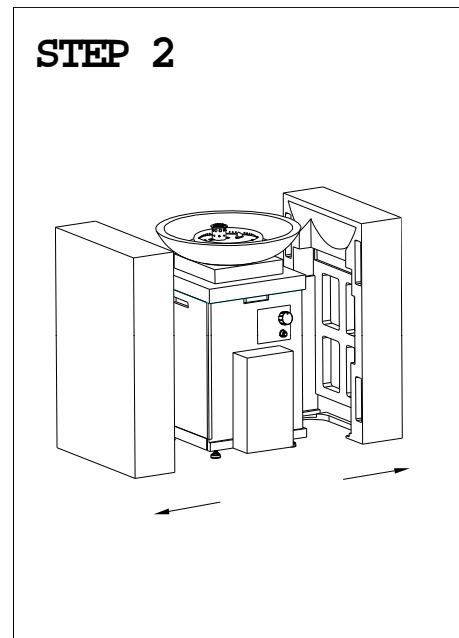
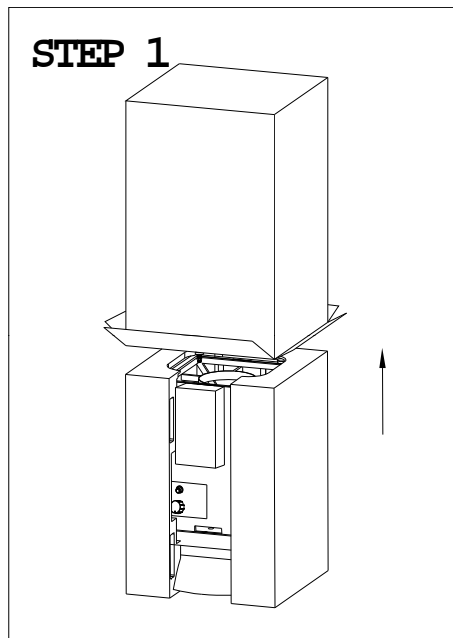
STEP 2.

(1) Turn the firepit heads up on a flat ground.

(2) Cut off the binding tape on the polyfoam and remove all the polyfoam.

(3) Cut off the tie fastened the regulator at the metal stand and set it free for installation to the LP-Gas Tank.

See **Figure STEP 2**.



STEP 3.

(I) Make sure the gas supply system is turned "OFF" before assembling. Check each part before using the product. To set the LP-Gas tank in the firepit, pull out the door gently then lift up to set it free as the arrowhead indicates. To replace the door, set the door in the firepit frame completely. Make sure to insert the two metal slips at the bottom of the door behind the door rim. Then push the top of the door towards the middle metal nail at the top of the frame till you hear "click". Gentle operation is necessary when handling the door because the door is made up of fragile materials and parts.

See Figure I.

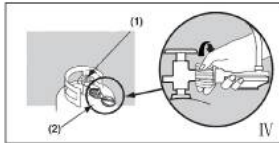
(II) Place the gas tank in the metal stand. Make sure the gas tank sits on the metal stand securely. Turn the wing screw on the outer part of metal stand clockwise to secure the gas tank tightly. **See Figure II**

(III) Locate the battery, remove the plastic cover first. Unscrew the rubber cap of the Electric Ignitor, place a AAA battery into the battery case. Make sure the positive pole ("+") towards the cap. Screw the cap back to the battery case tightly. **See Figure III.**

(IV) Make sure the hose is secured in retainer clip. Connect the Pressure-Regulating Valve to the gas tank.

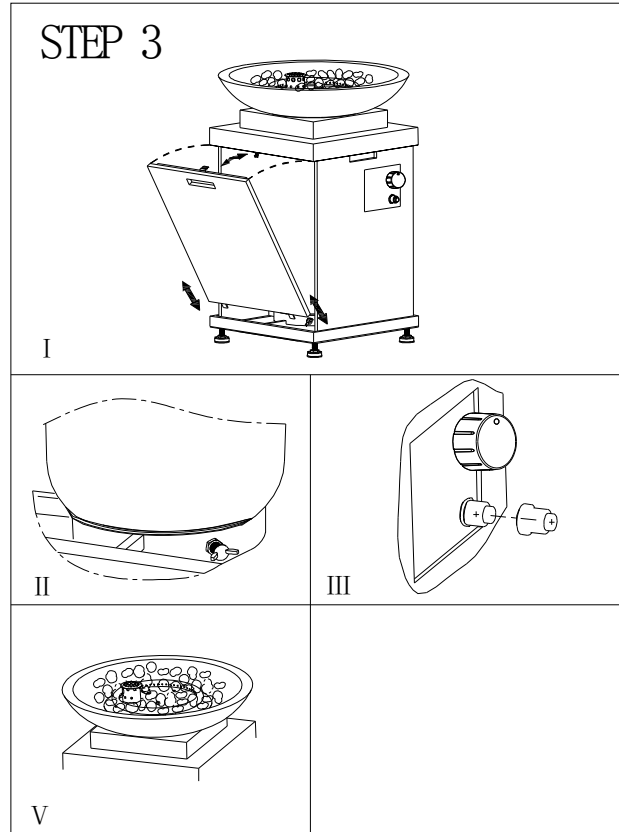
See Figure IV.


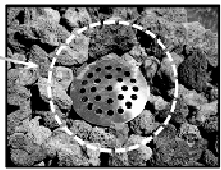
- 1) Turn the T-handle clockwise to close the gas supply on the gas tank.
- 2) Screw Regulator Coupling clockwise by hand only. Make sure it is fastened.



(V) Place the lava rocks evenly in the fire bowl on the top of the fire pit. See Figure V
**** DO NOT COVER THE IGNITION SCREEN when placing the lava rocks into the fire bowl. Always keep Ignition Screen visible. ****

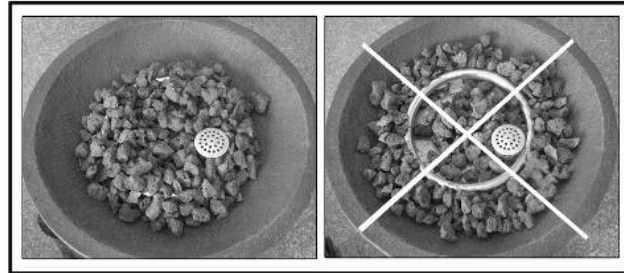
****See following WARNING and Figure.****



<p>⚠ WARNING</p> <p>This screen must be clear and free of obstructions at all times to insure proper operation.</p>	<p>Screen </p> <p>DO NOT PLACE LAVA ROCKS ON THE SCREEN. KEEP SCREEN CLEAR.</p> 
---	---

⚠

The burner of the firepit must be covered by lava rocks completely. Otherwise the flame may be extinguished occasionally. See the Figure CORRECT and INCORRECT for reference.



CORRECT

INCORRECT

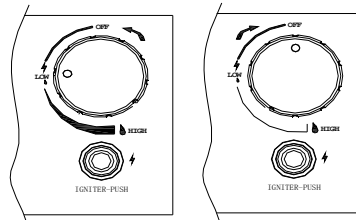
Perform leak test in a well ventilated area outside and where no source of spark can occur. Remove battery from igniter. Open tank valve fully (counter-clockwise). Turn the on/off valve at the unit to the 'off' position to pressurize the hose assembly. Use a soapy water solution to check all the connections leaks before attempting to light the appliance. **If a leak is found, turn the tank valve off and do not use the appliance until repairs can be made.**

- TIPS:** Before Beginning
- Read the instructions thoroughly.
 - Check and make sure that all parts are present.
 - For future reference, save this instruction sheet.

TO LIGHT

Before each use, inspect all hose. Replace hose if there are any signs of cutting, wear or abrasion.

- (1) Remove the PVC Cover from the fire pit before operating the appliance.
- (2) Turn the T-handle on the gas tank counter-clockwise to open the gas supply.
- (3) Close the storing door on the firepit for the gas tank.
- (4) Light the firepit as below steps:



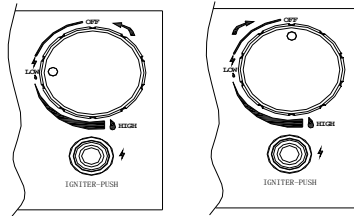
- A. Push and turn the Control Knob counter-clockwise to the "LOW" position. Keep pushing the Control Knob. Meanwhile press and hold the Electric Ignitor to light the burner .
- B. After ignition, release the Electric Ignitor. Continue to push and hold the Control Knob for 45 seconds.
- C. If ignition does NOT immediately take place in seconds, push and turn the Control Knob clockwise to "OFF". Wait 5 minutes, then repeat the lighting procedure as above.



Observe flame height when lit:
Flame should be a yellow/blue color between 2 to 10 inches high.

TO EXTINGUISH

- ※ Push the Control Knob and turn clockwise to the "OFF" position.
- ※ Turn the T-handle on the gas tank clockwise to close the gas supply if not for use in a long time.(See below figure)



ROUTINE CARE

- ※ Keep your firepit free and clear from combustible materials.
- ※ Visually inspect burner from obstructions, keep tank enclosure free and clear from debris.
- ※ After the burner and lava rocks are completely cooled down, use a soft brush to get rid of the mild stains, loose dirt and soil. Wipe with a soft cloth.

LP (Liquid Propane) gas supply connection

Always confirm that all burner control knobs are in the OFF position before connecting the gas supply.

Do not obstruct the flow of combustion air and ventilation air to the grill.

To Connect:

- 1.Ensure that there is no debris caught in the head of gas cylinder, head of the regulator valve or in the head of the burner and burner ports.
- 2.Insert the nipple of the valve coupling into the cylinder valve and tighten the connection collar by turning it clockwise with one hand while holding the regulator with the other hand. (See diagram.)
- 3.Disconnect the propane cylinder from the regulator valve when the grill is not in use.

To Disconnect:

Always confirm that the cylinder valve is in the OFF position before disconnecting the gas supply.

1. Hold the regulator with the one hand and loosen the connection collar by turning it counter-clockwise with the other hand. (See diagram.)



STUBBORN STAINS

- ※Stubborn stains, discoloration and possibly rust pitting can occur from exposure to harsh outdoor conditions.
- ※Be careful not let any powder or solvent come in contact with painted or plastic components as damage may occur.

MAINTENANCE

- ※Store the fire pit in a cool dry place away from direct sunlight.
- ※The propane cylinder must be disconnected and removed from the fire pit before the appliance can be stored indoors.
- ※Make sure both the gas and the fire pit are turned off before changing battery. Please refer to the process of assembling battery.
- ※Use Manufacturer approved or supplied replacement parts and accessories only. Otherwise may void the warranty of this product and result in a hazardous condition.
- ※Please contact the Manufacturer for information regarding replacement hoses, thermocouples, ignitors, lava rocks, etc.

IF YOU HAVE QUESTIONS OR CONCERNS

PLEASE CALL BOND TOLL FREE #

1-866-771-BOND(2663) OR TO BETTER

EXPEDITE YOUR REQUEST FEEL FREE TO EMAIL US

customerservice@bondmfg.com

OR LOG IN TO OUR WEBSITE UNDER CUSTOMER SERVICE SUPPORT

www.bondmfg.com

BOND MANUFACTURING CO.

1666 WILLOW PASS ROAD BAY POINT, CA 94565