

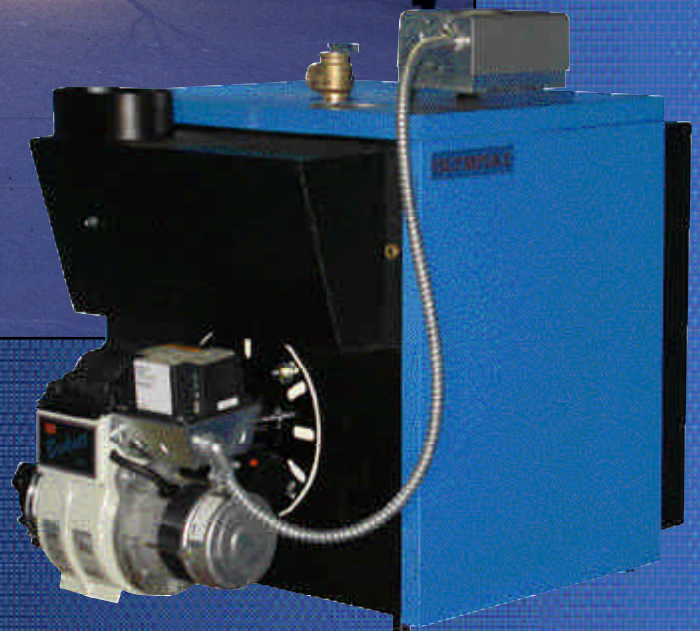
# OLYMPIA I

A COMPACT OIL FIRED BOILER  
DESIGNED TO MEET  
THE HEATING LOAD REQUIREMENTS  
OF TODAY'S HOMES



AVAILABLE FOR DIRECT VENT  
SEALED COMBUSTION OR  
FOR STANDARD CHIMNEY  
VENTING

**OIL FIRED  
HOT WATER BOILER**



by **AXEMAN-ANDERSON**

# RELIABLE COMFORT

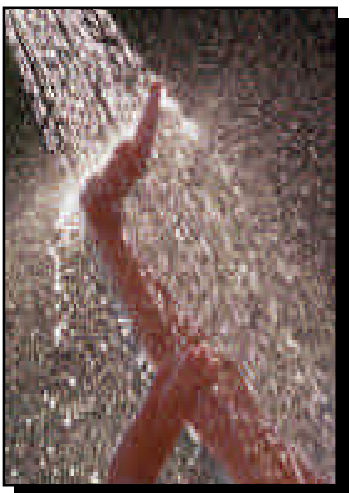
The Axeman-Anderson Olympia I hot water boiler is the perfect combination of efficiency, comfort and reliability, all at an affordable price. Axeman-Anderson has been designing and manufacturing boilers in the USA for over half a century and holds an enviable position in the heating industry for manufacturing heating units of the highest quality and efficiency. Installing an Axeman-Anderson Olympia I boiler will keep your home comfortable and your fuel bills affordable.

## LIFETIME WARRANTY

Axeman-Anderson backs all its residential boilers with a non-prorated lifetime warranty covering the entire pressure vessel. Most cast iron boiler warranties only cover an individual section.

## COMPACT ONE PIECE CONSTRUCTION

The Olympia I is constructed of heavy plate steel that has been formed and welded by certified craftsmen. The pressure vessel is one piece, not sections held together with rods, nuts, nipples or gaskets.



## DOMESTIC HOT WATER

With the use of an indirect water heater, the Olympia I can supply all the hot water needed for whirlpool tubs, showers, dishwashers, laundry, etc.

## A.S.M.E. CONSTRUCTION

Each Olympia I boiler is factory inspected by an inspector employed by a nationally recognized boiler inspection and insurance company.



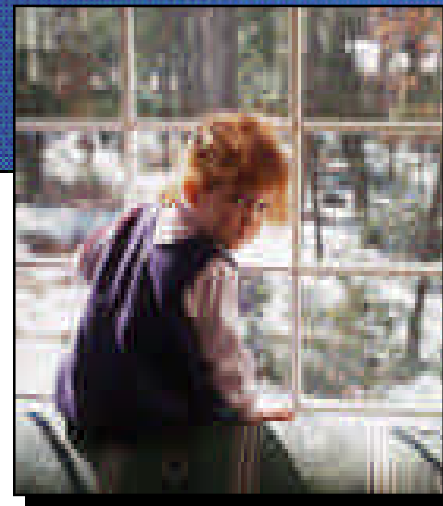
## RADIATION

The Olympia I used with baseboard radiation or cast iron standing radiation systems will deliver reliable efficient heat to any home.



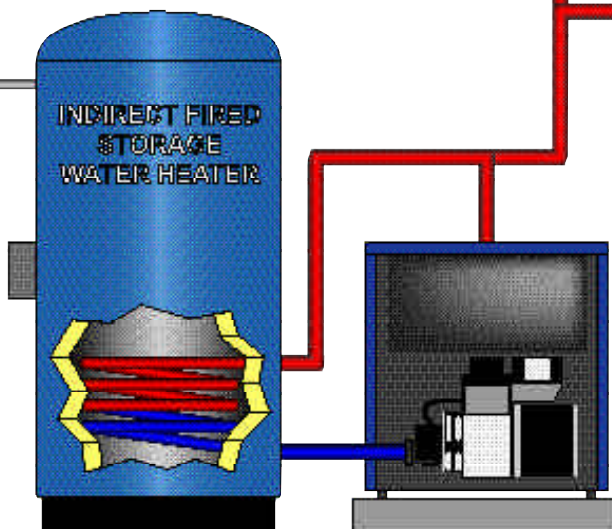
## RADIANT FLOOR

Use the Olympia I with radiant floor tubing for the ultimate in home comfort. You can also combine radiant floor systems with baseboard radiation or hydronic fan coil units.



## EFFICIENCIES AS HIGH AS 88%

The Olympia I Annual Fuel Utilization Efficiencies are among the highest rated, saving you fuel cost dollars. Olympia I models that meet ENERGY STAR® efficiency guidelines are designed to use less energy, help you save money on utility bills, and help protect the environment. Replacing an old, outdated heating system using an Olympia I boiler can save up to 40% of your fuel costs.



**Flue Economizers**  
Specially designed for superior heat-transfer efficiency

**Built in dip tube**  
Eliminates air in the system automatically

**Reliable Controls**  
AquaStat located directly in vessel for fast, accurate sensing

**A.S.M.E. Construction**  
Built to meet Section IV of the American Society of Mechanical Engineers Boiler and Pressure Vessel Code.

**Horizontal Fire Tubes**  
Not only the most efficient design, but also easy to clean

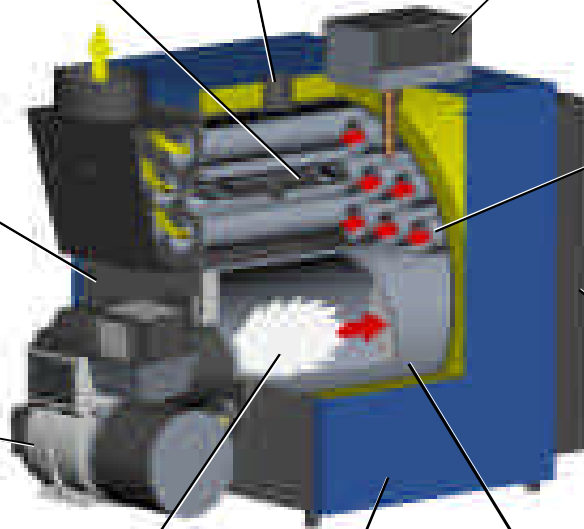
**Flame Retention**  
3450 R.P.M. oil burner for clean efficient combustion

**Easy To Service**  
Flue box with pyrex sight port removes with 4 brass nuts for simple and complete cleanings

**No Combustion Chamber**  
All heat is transferred directly to the water walls for greater heat absorption. No heat is lost in the combustion area.

**Deluxe Jacket**  
Powder coated finish and fully insulated

**Full Wet Base Design**  
Water surrounds the entire combustion area, maximizing heat absorption

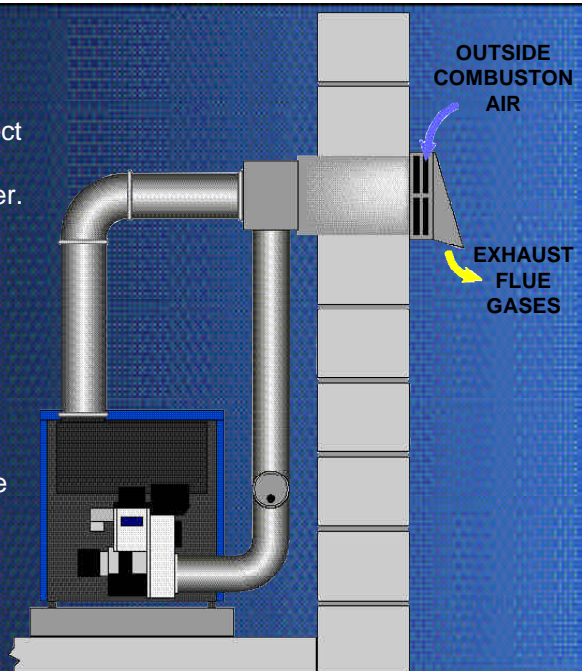


### EASY TO SERVICE

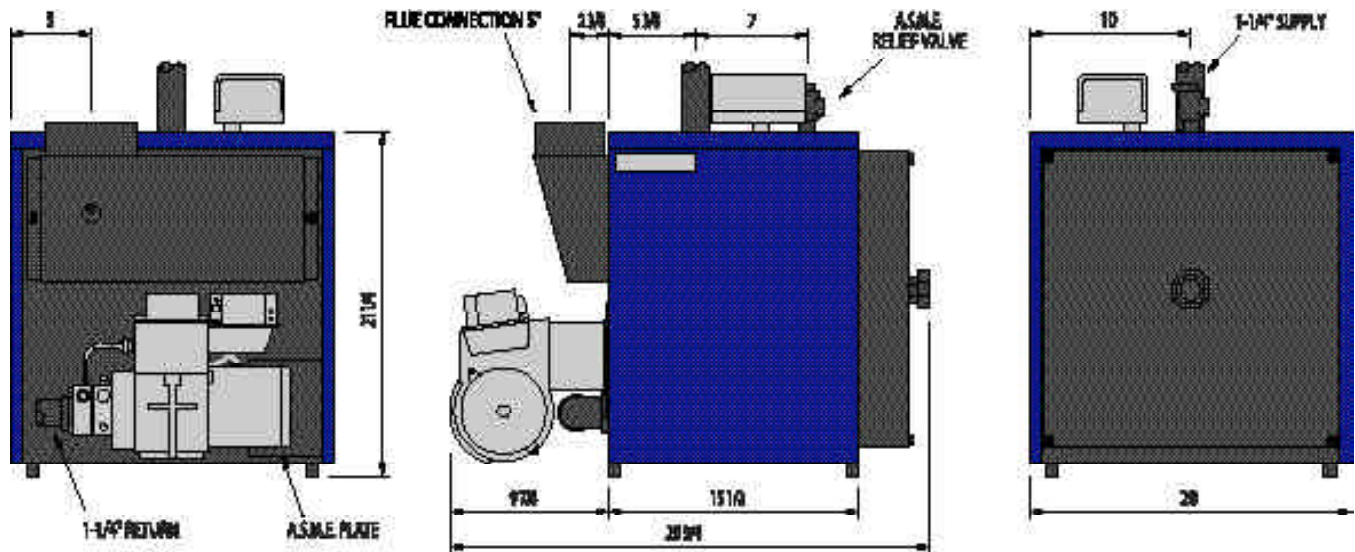
The OLYMPIA I with its removable flue box exposes 100% of the smooth wall heating surface enabling complete and thorough cleanings, maintaining efficient operation year after year.

### DIRECT VENT

Model OL105DVSC is a direct vent sealed combustion version of the Olympia I boiler. The balanced flue system pulls combustion air directly from outside and exhausts flue gases to the outside through the wall termination. No chimney is required. Available as shown with a single termination or with separate terminations for the flue and the combustion air intake.



# TECHNICAL SPECIFICATIONS AND DIMENSIONS



## SPECIFICATIONS - STANDARD CHIMNEY

MODEL NO.	D.O.E. HEATING CAPACITY M.B.H.	NET I.B.R. RATING WATER M.B.H.	@140 PSI I.B.R. INPUT G.P.H.	ACTUAL NOZZLE SIZE G.P.H.	A.F.U.E. *		HEATING SURFACE SQ. FT.	WATER CONTENT GAL.	SHIPPING WEIGHT LBS	
					LESS DAMPER	WITH DAMPER			OLP	OLKDC
OL91	80	70	.65	.60	86.4	88.0	12	8.9	245	224
OL119	103	90	.85	.75	83.9	86.4	12	8.9	245	224

**Standard Equipment OLKDC “Knocked Down” Complete:** A.S.M.E. wet base boiler, jacket with insulation, 3450 R.P.M. flame retention burner with nozzle and cad cell, burner relay, triple acting aquastat relay, wiring harness, A.S.M.E. 30# relief valve, temperature-pressure gauge, and drain valve.

**Standard Equipment OLP “Packaged”:** Includes all of “OLKDC” items completely assembled, wired and packaged.

## SPECIFICATIONS - DIRECT VENT SEALED COMBUSTION

MODEL NO.	D.O.E. HEATING CAPACITY M.B.H.	NET I.B.R. RATING WATER M.B.H.	@140 PSI I.B.R. INPUT G.P.H.	ACTUAL NOZZLE SIZE G.P.H.	* A.F.U.E. %	HEATING SURFACE SQ. FT.	WATER CONTENT GAL.	AIR INTAKE AND FLUE EXHAUST TERMINATION	SHIPPING WEIGHT LBS	
									OLP	OLKDC
OL105-DVSC	92	80	.75	.65	85.5	12	8.9	4" SEPARATE	261	240
OL105-DVSC-F	92	80	.75	.65	85.5	12	8.9	4" SINGLE	261	240

**Standard Equipment OLKDC “Knocked Down” Complete:** A.S.M.E. wet base boiler, jacket with insulation, 3450 R.P.M. flame retention burner with pre and post purge controls, nozzle and cad cell, burner relay, triple acting aquastat relay, wiring harness, A.S.M.E. 30# relief valve, temperature-pressure gauge, and drain valve. In addition, a combustion air vacuum relief, 5” to 4” reducer, and either a single termination or separate terminations for the combustion air and exhaust flue gases.

**Standard Equipment OLP “Packaged”:** Includes all of “OLKDC” items completely assembled, wired and packaged.

**Ratings based on:** -.02” overfire - 14.0% CO<sub>2</sub> - oil at 140,000 BTU per gallon. The Net I.B.R. ratings shown are based on a piping and pick-up allowance of 1.15. For installations having unusual piping and pick-up requirements, consult manufacturer.

\* Models with A.F.U.E. efficiencies 85% and higher meet ENERGY STAR guidelines.



**AXEMAN-ANDERSON COMPANY** Engineers & Manufacturers of Heating Equipment  
 300 East Mountain Avenue, South Williamsport, PA 17702  
 Telephone 570-326-9114 Fax 570-326-2152

