

# INSTALLATION INSTRUCTIONS

## A95UH1D, A93UH1D, 95G1UH-P & 92G1UH-P



### Warm Air Gas Furnace Upflow/Horizontal Left and Right Air Discharge



This manual must be left with the homeowner for future reference.



This is a safety alert symbol and should never be ignored. When you see this symbol on labels or in manuals, be alert to the potential for personal injury or death.

### Table of Contents

Unit Dimensions .....	2	Gas Piping .....	39
Parts Arrangement.....	3	Electrical .....	42
Gas Furnace.....	4	Unit Start-Up.....	45
Shipping and Packing List .....	4	Testing for Proper Venting and Sufficient Combustion	
Safety Information .....	4	Air for Non-Direct Vent Applications .....	49
General.....	6	Other Unit Adjustments.....	50
Combustion, Dilution & Ventilation Air .....	7	Blower Performance A93UH1D / 92G1UH .....	51
Installation .....	10	Blower Performance A95UH1D / 95G1UHD .....	54
Filters.....	13	Service.....	57
Duct System .....	13	Planned Service .....	59
Venting Practices.....	16	Repair Parts List.....	59
Condensate Piping .....	36		

### **WARNING**

Improper installation, adjustment, alteration, service or maintenance can cause property damage, personal injury or loss of life. Installation and service must be performed by a licensed professional installer (or equivalent), service agency or the gas supplier.

### **CAUTION**

As with any mechanical equipment, personal injury can result from contact with sharp sheet metal edges. Be careful when you handle this equipment.

Manufactured By  
**Allied Air Enterprises LLC**  
A Lennox International, Inc. Company  
215 Metropolitan Drive  
West Columbia, SC 29170



(P) 507270-03

**Save these instructions for future reference**

## Unit Dimensions

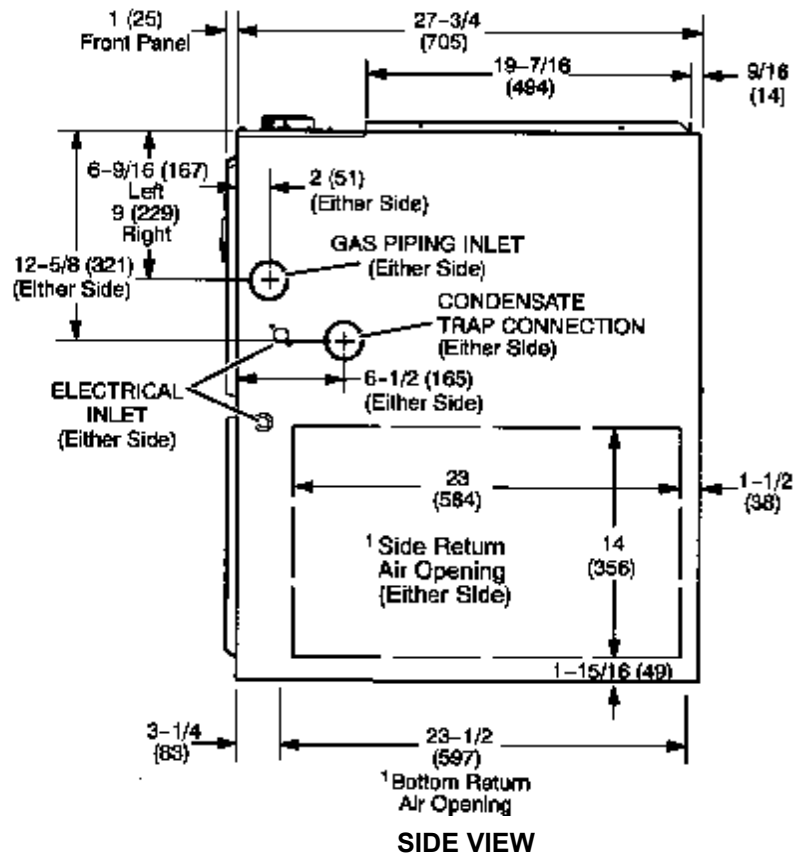
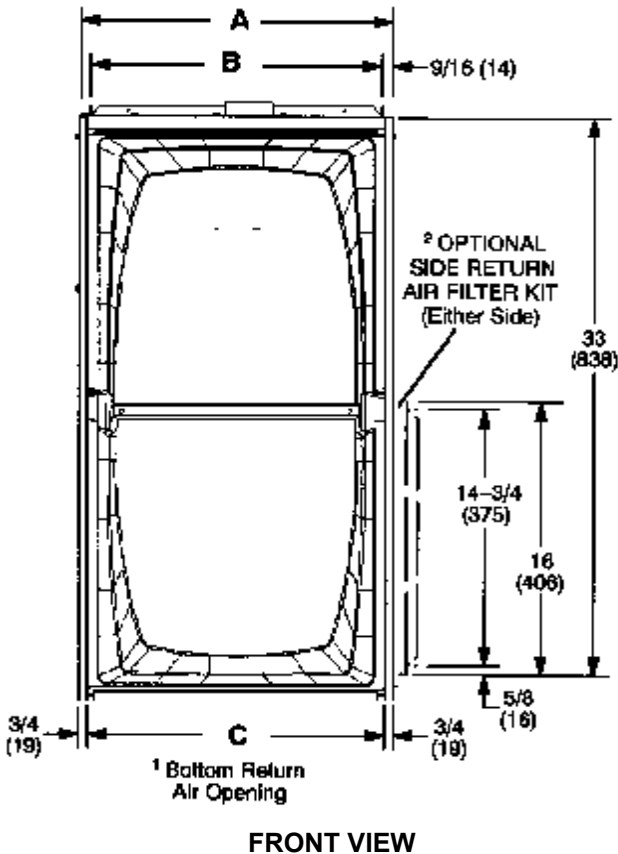
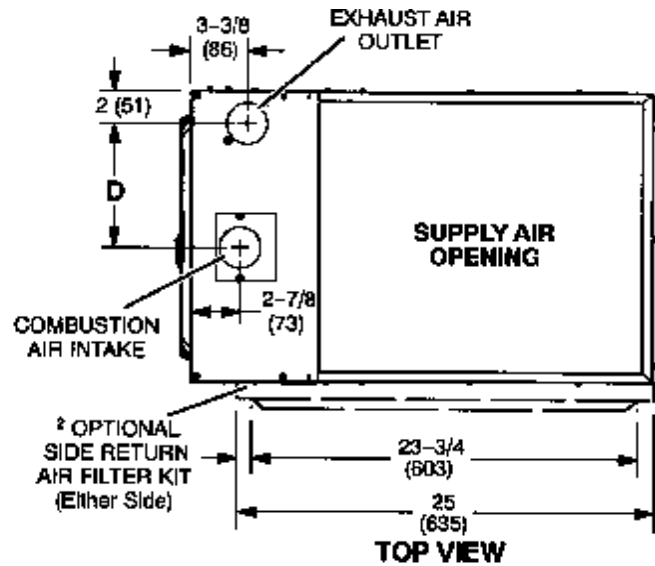
**1 NOTE** - C\*20 and D\*20 (5 Ton) size units installed in upflow applications that require air volumes of 1800 cfm (850 L/s) or greater must have one of the following:

1. Single side return air with transition, to accommodate 20 x 25 x 1 in. (508 x 635 x 25 mm) cleanable air filter. (Required to maintain proper air velocity.)
2. Single side return air with optional "RAB" Return Air Base.
3. Bottom return air.
4. Return air from both sides.
5. Bottom and one side return air.

See Blower Performance tables for additional information.

**2** Optional External Side Return Air Filter kit is not for use with optional Return Air Base.

\* Consider sizing requirements for optional IAQ equipment before cutting side return opening.



A95UH1D / A93UH1D 95G1UHD / 92G1UHD Capacity	A		B		C		D	
	in.	mm	in.	mm	in.	mm	in.	mm
045-08 045-12 070-08 070-12	17-1/2	446	16-3/8	416	16	406	1-5/8	194
090-12 090-16 110-16 110-20	21	533	19-7/8	505	19-1/2	495	9-3/8	238
135-20	24-1/2	622	23-3/8	594	23	584	11-1/8	238

## Parts Arrangement

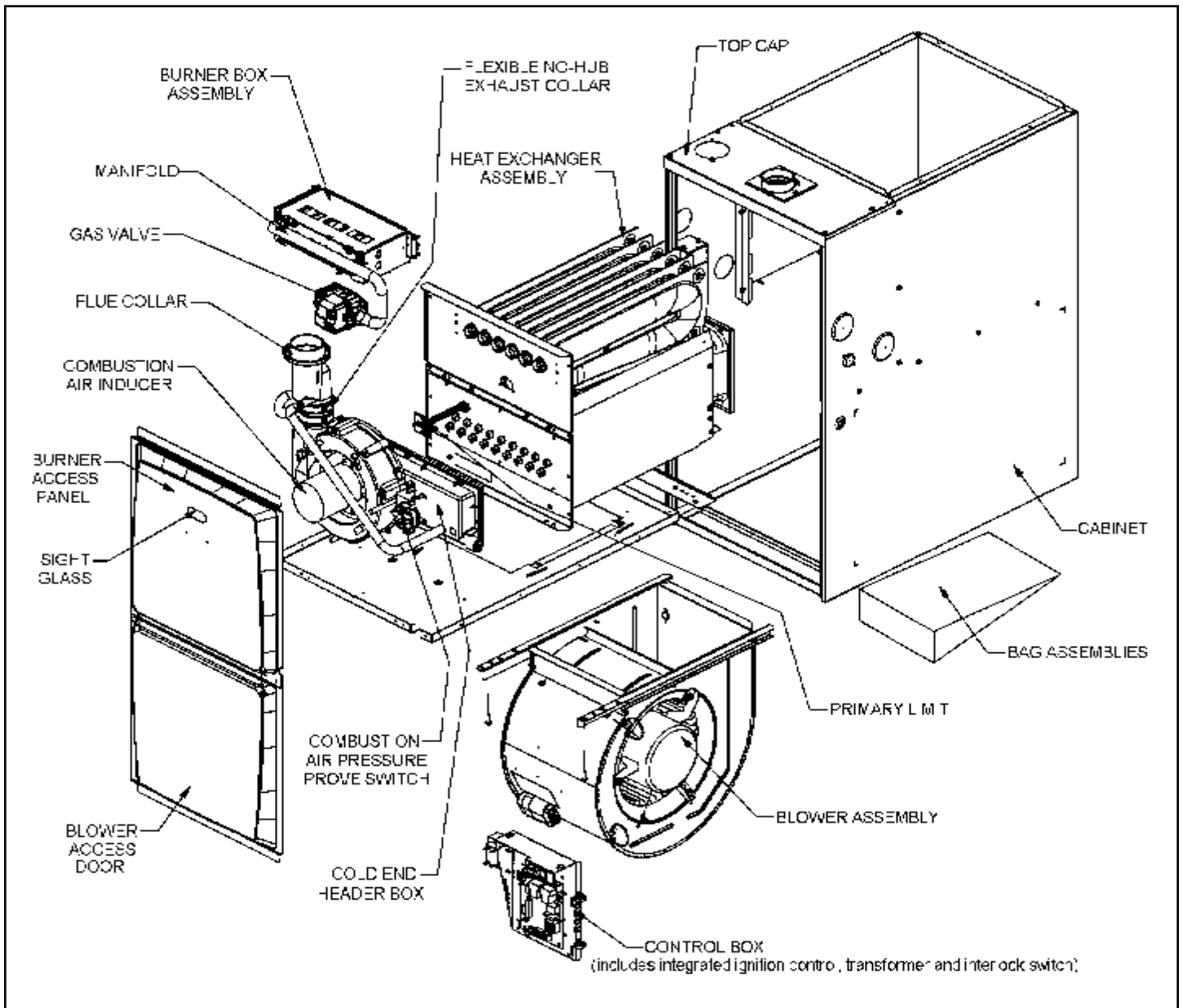


Figure 1.

## Gas Furnace

The A95UH1D / A93UH1D / 95G1UHD / 92G1UHD Category IV gas furnace is shipped ready for installation in the upflow or horizontal position. The furnace is shipped with the bottom panel in place. The bottom panel must be removed if the unit is to be installed in horizontal or upflow applications with bottom return air.

The A95UH1D / A93UH1D / 95G1UHD / 92G1UHD can be installed as either a Direct Vent or a Non-Direct Vent gas central furnace. When the unit is installed as a Direct Vent furnace, it is considered a sealed combustion system.

The furnace is equipped for installation in natural gas applications. A conversion kit (ordered separately) is required for use in propane/LP gas applications.

**NOTE:** In Direct Vent installations, combustion air is taken from outdoors and flue gases are discharged outdoors. In Non-Direct Vent installations, combustion air is taken from indoors and flue gases are discharged outdoors. See Figure 2 and Figure 3 for applications involving roof termination.

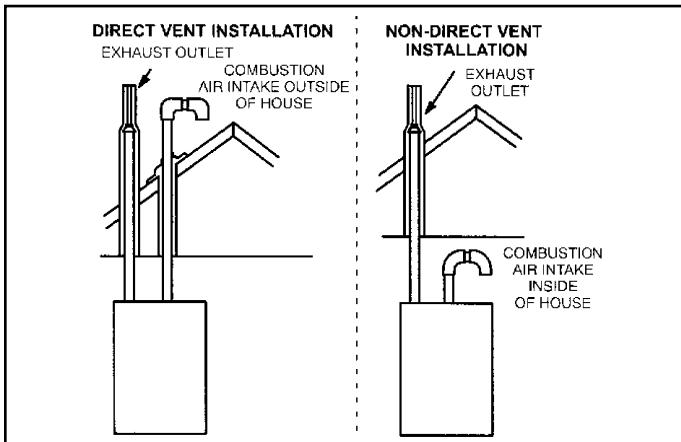


Figure 2.

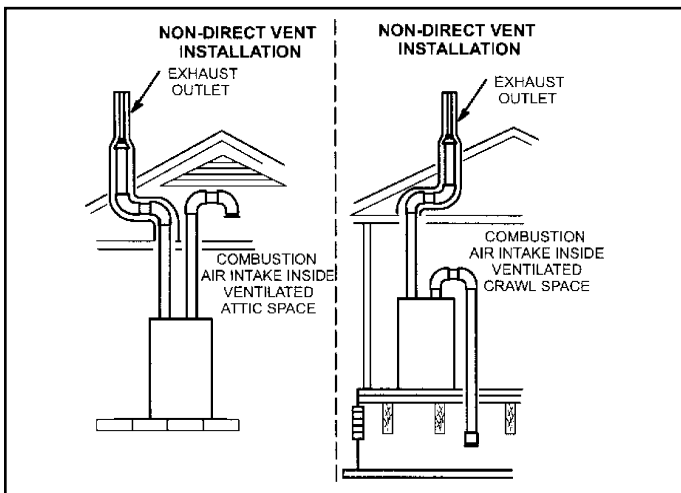


Figure 3.

## Shipping and Packing List

- 1 - Assembled Gas Furnace
- 1 - Bag assembly containing the following:
  - 1 - Snap bushing
  - 1 - Snap Plug
  - 1 - Wire tie
  - 1 - Condensate trap
  - 1 - Condensate trap cap
  - 1 - Condensate trap clamp
  - 1 - 2" diameter debris screen
  - 1 - 3/4" Threaded street elbow

**NOTE:** The required bellows grommet is field-provided. See the Gas Piping section for relevant diagrams.

Check equipment for shipping damage. If you find any damage, immediately contact the last carrier.

Please refer to specification sheets for available accessories

## Safety Information

### ⚠ WARNING

Improper installation, adjustment, alteration, service or maintenance can cause property damage, personal injury or loss of life. Installation and service must be performed by a licensed professional installer (or equivalent), service agency or the gas supplier.

### ⚠ CAUTION

As with any mechanical equipment, personal injury can result from contact with sharp sheet metal edges. Be careful when you handle this equipment.

### ⚠ DANGER

#### DANGER OF EXPLOSION!

There are circumstances in which odorant used with LP/Propane gas can lose its scent. In case of a leak, LP/Propane gas will settle close to the floor and may be difficult to smell. An LP/Propane leak detector should be installed in all LP applications.

Use only the type of gas approved for use with this furnace. Refer to unit nameplate.

A95UH1D / A93UH1D / 95G1UHD / 92G1UHD units are CSA International certified to ANSI Z21.47 and CSA 2.3 standards.

### Building Codes

In the USA, installation of gas furnaces must conform with local building codes. In the absence of local codes, units must be installed according to the current National Fuel Gas Code (ANSI Z223.1/NFPA 54). The National Fuel Gas Code is available from the American National Standards Institute, Inc., 11 West 42nd Street, New York, NY 10036.

In Canada, installation must conform with current National Standard of Canada CSA-B149 Natural Gas and Propane Installation Codes, local plumbing or waste water codes and other applicable local codes.

In order to ensure proper unit operation in non-direct vent applications, combustion and ventilation air supply must be provided according to the current National Fuel Gas Code or CSA-B149 standard.

### Installation Locations

This furnace is CSA International certified for installation clearances to combustible material as listed on the unit nameplate and in the table in Figure 13 and Figure 18. Accessibility and service clearances must take precedence over fire protection clearances.

**NOTE:** For installation on combustible floors, the furnace shall not be installed directly on carpeting, tile, or other combustible material other than wood flooring.

For installation in a residential garage, the furnace must be installed so that the burner(s) and the ignition source are located no less than 18 inches (457 mm) above the floor. The furnace must be located or protected to avoid physical damage by vehicles. When a furnace is installed in a public garage, hangar, or other building that has a hazardous atmosphere, the furnace must be installed according to recommended good practice requirements and current National Fuel Gas Code or CSA B149 standards.

**NOTE:** Furnace must be adjusted to obtain a temperature rise within the range specified on the unit nameplate. Failure to do so may cause erratic limit operation and premature heat exchanger failure.

This furnace must be installed so that its electrical components are protected from water.

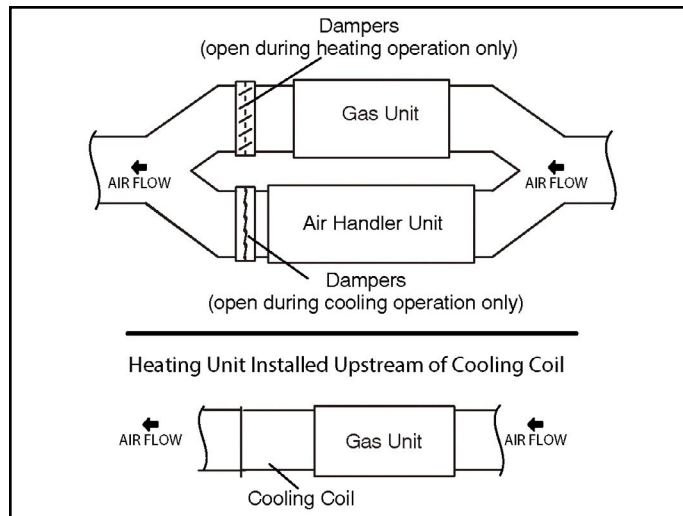
### Installed in Combination with a Cooling Coil

When this furnace is used with cooling units (Figure 4), it shall be installed in parallel with, or on the upstream side of, cooling units to avoid condensation in the heating compartment. With a parallel flow arrangement, a damper (or other means to control the flow of air) must adequately prevent chilled air from entering the furnace. If the damper is manually operated, it must be equipped to prevent operation of either the heating or the cooling unit, unless it is in the full HEAT or COOL setting.

When installed, this furnace must be electrically grounded according to local codes. In addition, in the United States, installation must conform with the current National Electric Code, ANSI/NFPA No. 70. The National Electric Code (ANSI/NFPA No. 70) is available from the following address:

National Fire Protection Association  
1 Battery March Park  
Quincy, MA 02269

In Canada, all electrical wiring and grounding for the unit must be installed according to the current regulations of the Canadian Electrical Code Part I (CSA Standard C22.1) and/or local codes.



**Figure 4. Heating Unit Installed Parallel to Air Handler Unit**

**NOTE:** This furnace is designed for a minimum continuous return air temperature of 60°F (16°C) or an intermittent operation down to 55°F (13°C) dry bulb for cases where a night setback thermostat is used. Return air temperature must not exceed 85°F (29°C) dry bulb.

This furnace may be installed in alcoves, closets, attics, basements, garages, and utility rooms in the upflow or horizontal position.

This furnace design has not been CSA certified for installation in mobile homes, recreational vehicles, or outdoors.

## Use of Furnace as a Construction Heater

Units may be used for heating of buildings or structures under construction, if the following conditions are met to ensure proper operation.

### DO NOT USE THE UNIT FOR CONSTRUCTION HEAT UNLESS ALL OF THE FOLLOWING CRITERIA ARE MET:

- a. Furnace must be in its final location. The vent system must be permanently installed per these installation instructions.
- b. Furnace must be installed as a two pipe system and one hundred percent (100%) outdoor air must be provided for combustion air requirements during construction.
- c. A room thermostat must control the furnace. The use of fixed jumpers that will provide continuous heating is prohibited.
- d. The input rate and temperature rise must be set per the furnace rating plate.
- e. Supply and Return air ducts must be provided and sealed to the furnace. Return air must be terminated outside of the space where furnace is installed.
- f. Return air temperature range between 60°F (16°C) and 80°F (27°C) must be maintained.
- g. MERV 11 or greater air filters must be installed in the system and must be regularly inspected and maintained (e.g., regular static checks and replaced at end of life) during construction.
- h. Blower and vestibule access panels must be in place on the furnace at all times.
- i. The furnace heat exchanger, components, duct system, and evaporator coils must be thoroughly cleaned following final construction clean-up.
- j. Air filters must be replaced upon construction completion.
- k. All furnace operating conditions (including ignition, input rate, temperature rise and venting) must be verified in accordance with these installation instructions.

EQUIPMENT MAY EXPERIENCE PREMATURE COMPONENT FAILURE AS A RESULT OF FAILURE TO FOLLOW THE ABOVE INSTALLATION INSTRUCTIONS. FAILURE TO FOLLOW THE ABOVE INSTALLATION INSTRUCTIONS VOIDS THE MANUFACTURER'S EQUIPMENT LIMITED WARRANTY. ALLIED AIR DISCLAIMS ALL LIABILITY IN CONNECTION WITH INSTALLER'S FAILURE TO FOLLOW THE ABOVE INSTALLATION INSTRUCTIONS.

NOTWITHSTANDING THE FOREGOING, INSTALLER IS RESPONSIBLE FOR CONFIRMING THAT THE USE OF CONSTRUCTION HEAT IS CONSISTENT WITH THE POLICIES AND CODES OF ALL REGULATING ENTITIES. ALL SUCH POLICIES AND CODES MUST BE ADHERED TO.

## General

These instructions are intended as a general guide and do not supersede local codes in any way. Consult authorities having jurisdiction before installation.

In addition to the requirements outlined previously, the following general recommendations must be considered when installing one of these furnaces:

- Place the furnace as close to the center of the air distribution system as possible. The furnace should also be located close to the vent termination point.
- When the furnace is installed in non-direct vent applications, do not install the furnace where drafts might blow directly into it. This could cause improper combustion and unsafe operation.
- When the furnace is installed in non-direct vent applications, do not block the furnace combustion air opening with clothing, boxes, doors, etc. Air is needed for proper combustion and safe unit operation.
- When the furnace is installed in an attic or other insulated space, keep insulation away from the furnace.
- When the furnace is installed in an unconditioned space, consider provisions required to prevent freezing of condensate drain system.

**NOTE:** *The Commonwealth of Massachusetts stipulates these additional requirements:*

- Gas furnaces shall be installed by a licensed plumber or fitter only.
- The gas cock must be "T handle" type.
- When a furnace is installed in an attic, the passageway to and service area surrounding the equipment shall be floored.

## CAUTION

These units should not be installed in areas normally subject to freezing temperatures.

## Combustion, Dilution & Ventilation Air

If this unit is installed as a Non-Direct Vent Furnace, follow the guidelines in this section.

**NOTE:** *In Non-Direct Vent Installations, combustion air is taken from indoors and flue gases are discharged outdoors.*

### WARNING

Insufficient combustion air can cause headaches, nausea, dizziness or asphyxiation. It will also cause excess water in the heat exchanger resulting in rusting and premature heat exchanger failure. Excessive exposure to contaminated combustion air will result in safety and performance related problems. Avoid exposure to the following substances in the combustion air supply:

- Permanent wave solutions
- Chlorinated waxes and cleaners
- Chlorine base swimming pool chemicals
- Water softening chemicals
- De-icing salts or chemicals
- Carbon tetrachloride
- Halogen type refrigerants
- Cleaning solvents (such as perchloroethylene)
- Printing inks, paint removers, varnishes, etc.
- Hydrochloric acid
- Cements and glues
- Antistatic fabric softeners for clothes dryers
- Masonry acid washing materials

In the past, there was no problem in bringing in sufficient outdoor air for combustion. Infiltration provided all the air that was needed. In today's homes, tight construction practices make it necessary to bring in air from outside for combustion. Take into account that exhaust fans, appliance vents, chimneys, and fireplaces force additional air that could be used for combustion out of the house.

Unless outside air is brought into the house for combustion, negative pressure (outside pressure is greater than inside pressure) will build to the point that a down draft can occur in the furnace vent pipe or chimney. As a result, combustion gases enter the living space creating a potentially dangerous situation.

In the absence of local codes concerning air for combustion and ventilation, use the guidelines and procedures in this section to install these furnaces to ensure efficient and safe operation. You must consider combustion air needs and requirements for exhaust vents and gas piping. A portion

of this information has been reprinted with permission from the National Fuel Gas Code (ANSI-Z223.1/NFPA 54). This reprinted material is not the complete and official position of ANSI on the referenced subject, which is represented only by the standard in its entirety.

In Canada, refer to the CSA B149 Installation codes.

### CAUTION

Do not install the furnace in a corrosive or contaminated atmosphere. Meet all combustion and ventilation air requirements, as well as all local codes.

All gas-fired appliances require air for the combustion process. If sufficient combustion air is not available, the furnace or other appliance will operate inefficiently and unsafely. Enough air must be provided to meet the needs of all fuel-burning appliances and appliances such as exhaust fans which force air out of the house. When fireplaces, exhaust fans, or clothes dryers are used at the same time as the furnace, much more air is required to ensure proper combustion and to prevent a down draft. Insufficient air causes incomplete combustion which can result in carbon monoxide.

In addition to providing combustion air, fresh outdoor air dilutes contaminants in the indoor air. These contaminants may include bleaches, adhesives, detergents, solvents and other contaminants which can corrode furnace components.

The requirements for providing air for combustion and ventilation depend largely on whether the furnace is installed in an unconfined or a confined space.

#### Unconfined Space

An unconfined space is an area such as a basement or large equipment room with a volume greater than 50 cubic feet (1.42 m<sup>3</sup>) per 1,000 Btu (.29 kW) per hour of the combined input rating of all appliances installed in that space. This space also includes adjacent rooms which are not separated by a door. Though an area may appear to be unconfined, it might be necessary to bring in outdoor air for combustion if the structure does not provide enough air by infiltration. If the furnace is located in a building of tight construction with weather stripping and caulking around the windows and doors, follow the procedures in the "Air from Outside" section.

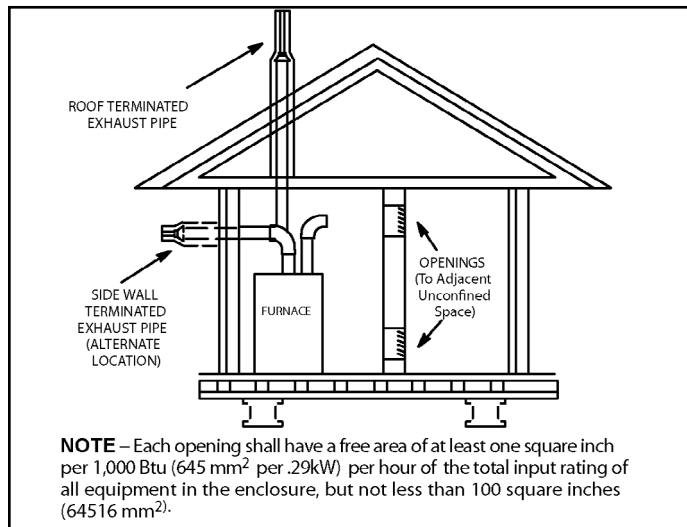
#### Confined Space

A confined space is an area with a volume less than 50 cubic feet (1.42 m<sup>3</sup>) per 1,000 Btu (.29 kW) per hour of the combined input rating of all appliances installed in that space. This definition includes furnace closets or small equipment rooms.

When the furnace is installed so that supply ducts carry air circulated by the furnace to areas outside the space containing the furnace, the return air must be handled by ducts which are sealed to the furnace casing and which terminate outside the space containing the furnace. This is especially important when the furnace is mounted on a platform in a confined space such as a closet or small equipment room. Even a small leak around the base of the unit at the platform or at the return air duct connection can cause a potentially dangerous negative pressure condition. Air for combustion and ventilation can be brought into the confined space either from inside the building or from outside.

### Air from Inside

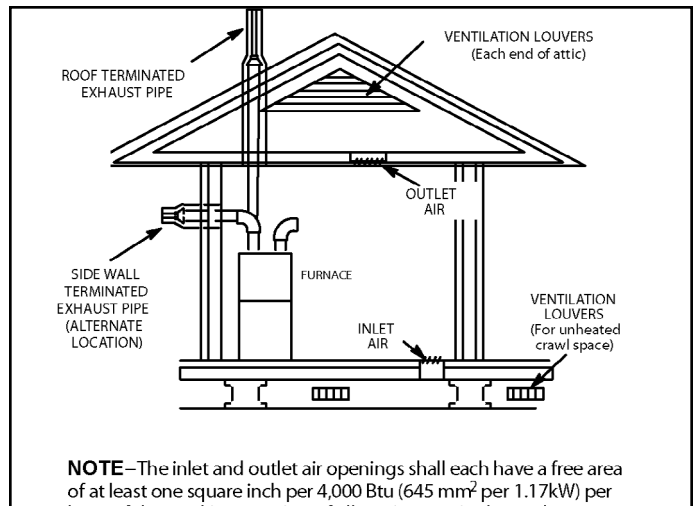
If the confined space that houses the furnace adjoins a space categorized as unconfined, air can be brought in by providing two permanent openings between the two spaces. Each opening must have a minimum free area of 1 square inch (645 mm<sup>2</sup>) per 1,000 Btu (.29 kW) per hour of total input rating of all gas-fired equipment in the confined space. Each opening must be at least 100 square inches (64516 mm<sup>2</sup>). One opening shall be within 12 inches (305 mm) of the top of the enclosure and one opening within 12 inches (305 mm) of the bottom. See Figure 5.



**Figure 5. Equipment in Confined Space - All Air From Inside**

### Air from Outside

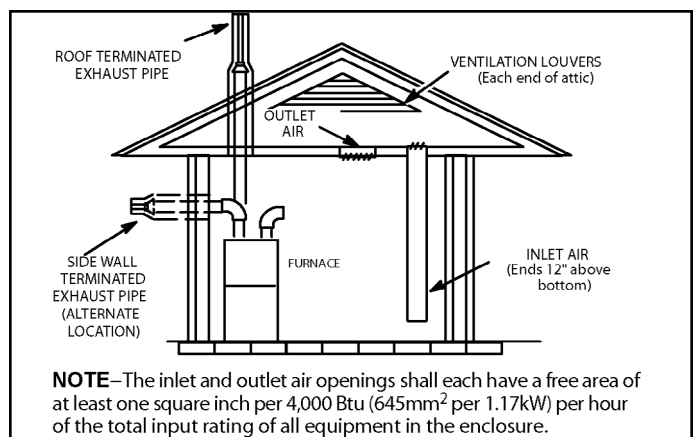
If air from outside is brought in for combustion and ventilation, the confined space shall be provided with two permanent openings. One opening shall be within 12" (305 mm) of the top of the enclosure and one within 12" (305 mm) of the bottom. These openings must communicate directly or by ducts with the outdoors or spaces (crawl or attic) that freely communicate with the outdoors or indirectly through vertical ducts. Each opening shall have a minimum free area of 1 square inch per 4,000 Btu (645 mm<sup>2</sup> per .59 kW) per hour of total input rating of all equipment in the enclosure (see Figure 6 and Figure 7). It is also permissible to bring in air for combustion from a ventilated attic (Figure 8) or ventilated crawl space (Figure 9).



**Figure 6. Equipment in Confined Space - All Air from Outside (Inlet Air from Crawl Space and Outlet Air to Ventilated Attic)**

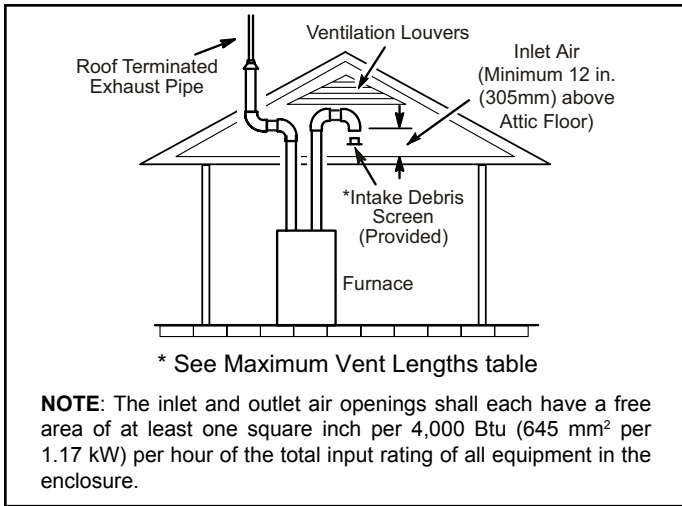
When communicating with the outdoors through horizontal ducts, each opening shall have a minimum free area of 1 square inch (645 mm<sup>2</sup>) per 2,000 Btu (.56 kW) per total input rating of all equipment in the enclosure. See Figure 10.

When ducts are used, they shall be of the same cross-sectional area as the free area of the openings to which they connect. The minimum dimension of rectangular air ducts shall be no less than 3 inches (75 mm). In calculating free area, the blocking effect of louvers, grilles, or screens must be considered. If the design and free area of protective covering is not known for calculating the size opening required, it may be assumed that wood louvers will have 20 to 25 percent free area and metal louvers and grilles will have 60 to 75 percent free area. Louvers and grilles must be fixed in the open position or interlocked with the equipment so that they are opened automatically during equipment operation.

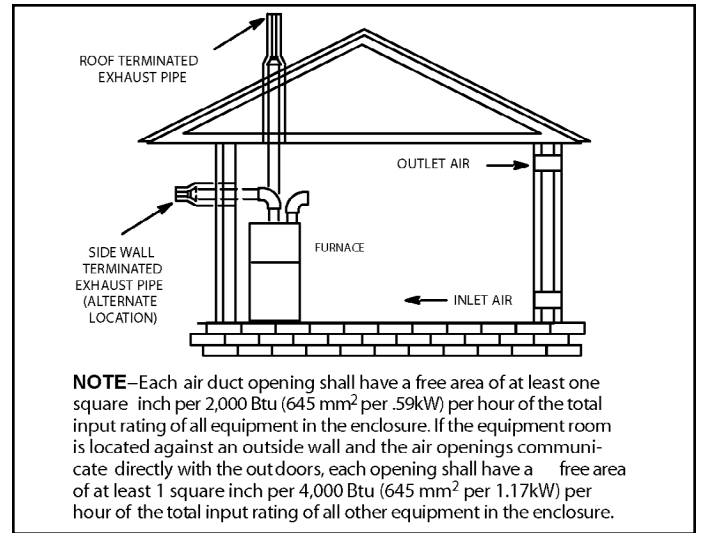


**Figure 7. Equipment in Confined Space - All Air from Outside (All Air through Ventilated Attic)**

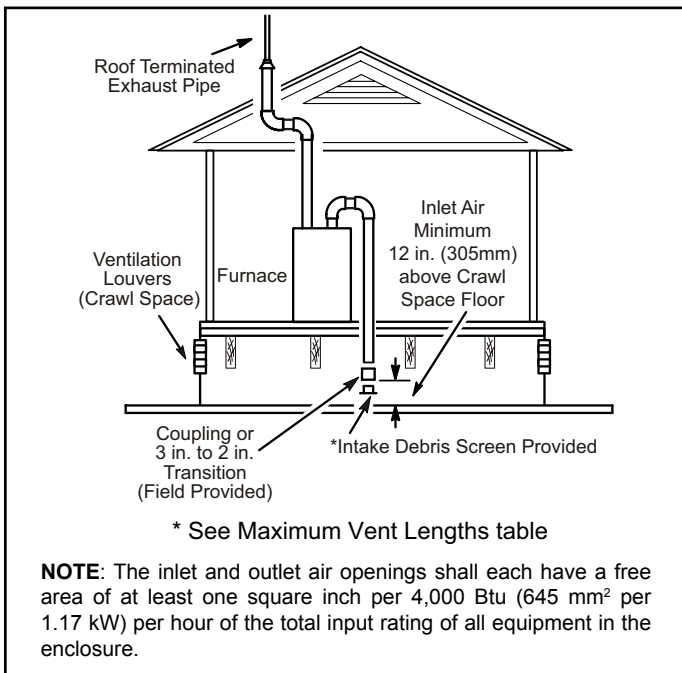




**Figure 8. Equipment in Confined Space (Inlet Air from Ventilated Attic & Outlet Air to Outside)**



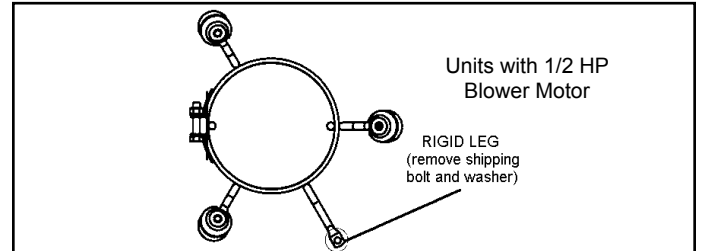
**Figure 10. Equipment in Confined Space - All Air from Outside**



**Figure 9. Equipment in Confined Space (Inlet Air from Ventilated Crawl Space & Outlet Air to Outside)**

### Shipping Bolt Removal

Units with 1/2 hp blower motor are equipped with three flexible legs and one rigid leg. The rigid leg is equipped with a shipping bolt and a flat white plastic washer (rather than the rubber mounting grommet used with a flexible mounting leg). See Figure 11. The bolt and washer must be removed before the furnace is placed into operation. After the bolt and washer have been removed, the rigid leg will not touch the blower housing.



**Figure 11.**

## Installation

### Setting Equipment

#### **⚠ WARNING**

Do not connect the return air ducts to the back of the furnace. Doing so will adversely affect the operation of the safety control devices, which could result in personal injury or death.

#### **⚠ WARNING**

Blower access panel must be securely in place when blower and burners are operating. Gas fumes, which could contain carbon monoxide, can be drawn into living space resulting in personal injury or death.

### Upflow Applications

The gas furnaces can be installed as shipped in the upflow position. Refer to Figure 13 for clearances. Select a location that allows for the required clearances that are listed on the unit nameplate. Also consider gas supply connections, electrical supply, vent connection, condensate trap and drain connections, and installation and service clearances [24 inches (610 mm) at unit front]. The unit must be level from side to side. Tilt the unit slightly (maximum 1/2 in. from level) from back to front to aid in the draining of the heat exchanger. See Figure 12.

Allow for clearances to combustibles as indicated on the unit nameplate.

#### **⚠ WARNING**

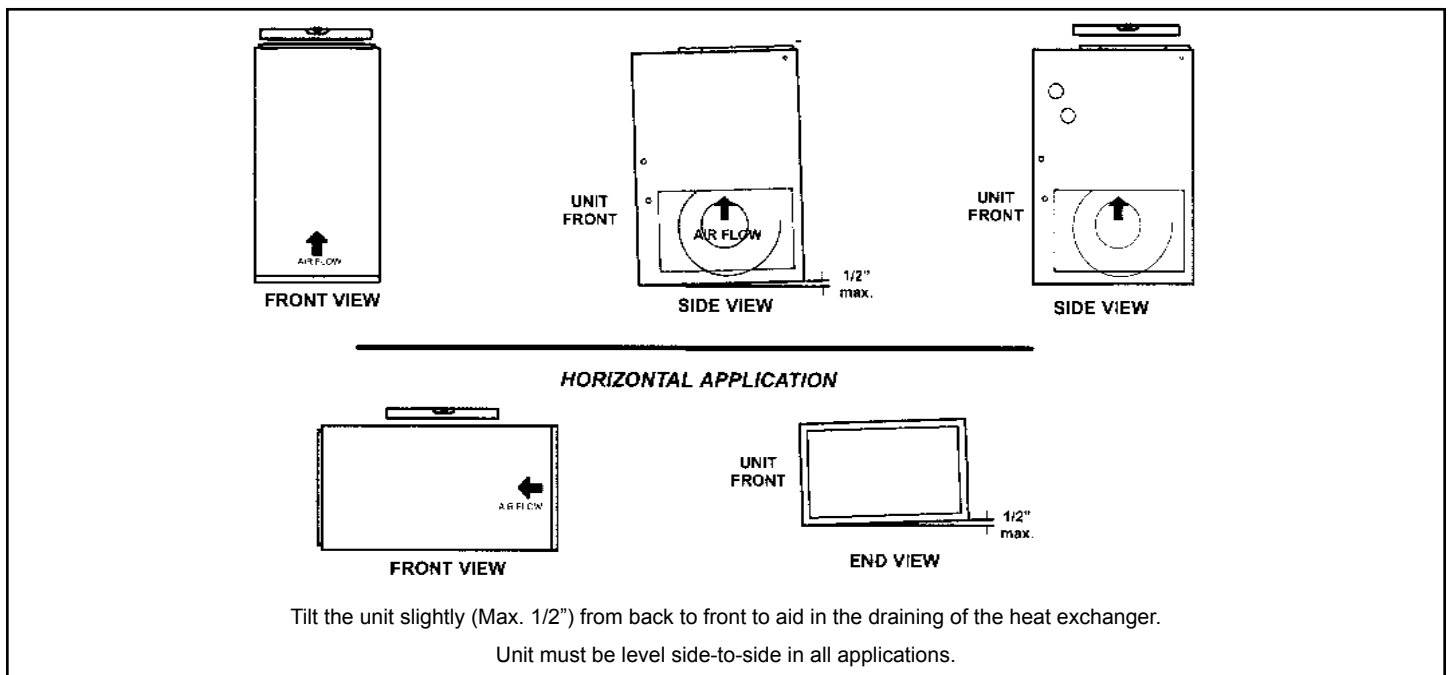
Improper installation of the furnace can result in personal injury or death. Combustion and flue products must never be allowed to enter the return air system or air in the living space. Use sheet metal screws and joint tape to seal return air system to furnace.

In platform installations with furnace return, the furnace should be sealed airtight to the return air plenum. A door must never be used as a portion of the return air duct system. The base must provide a stable support and an airtight seal to the furnace. Allow absolutely no sagging, cracks, gaps, etc.

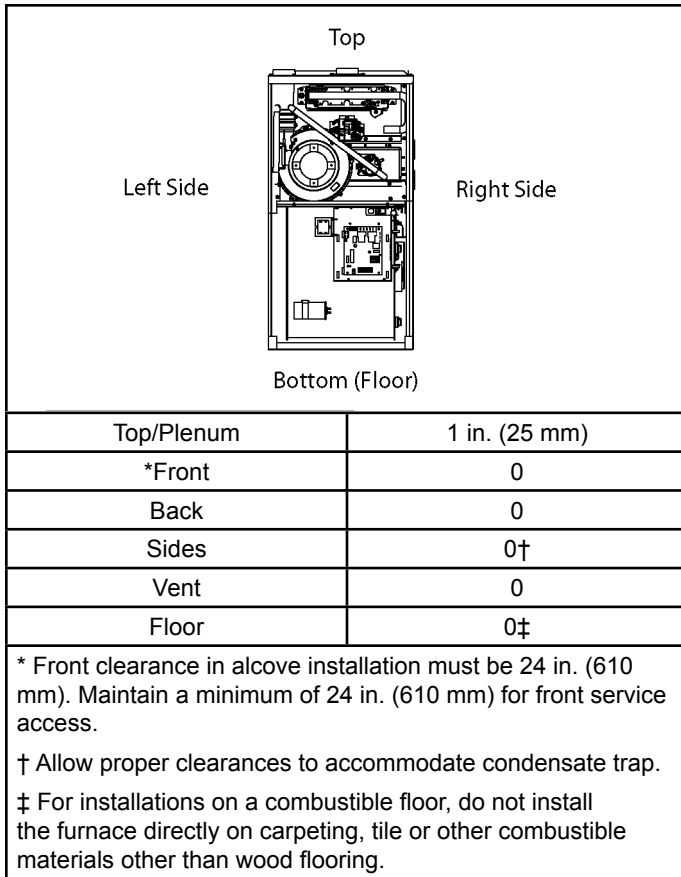
For no reason should return and supply air duct systems ever be connected to or from other heating devices such as a fireplace or stove, etc. Fire, explosion, carbon monoxide poisoning, personal injury and/or property damage could result.

### Return Air Guidelines

Return air can be brought in through the bottom or either side of the furnace installed in an upflow application. If the furnace is installed on a platform with bottom return, make an airtight seal between the bottom of the furnace and the platform to ensure that the furnace operates properly and safely. The furnace is equipped with a removable bottom panel to facilitate installation.



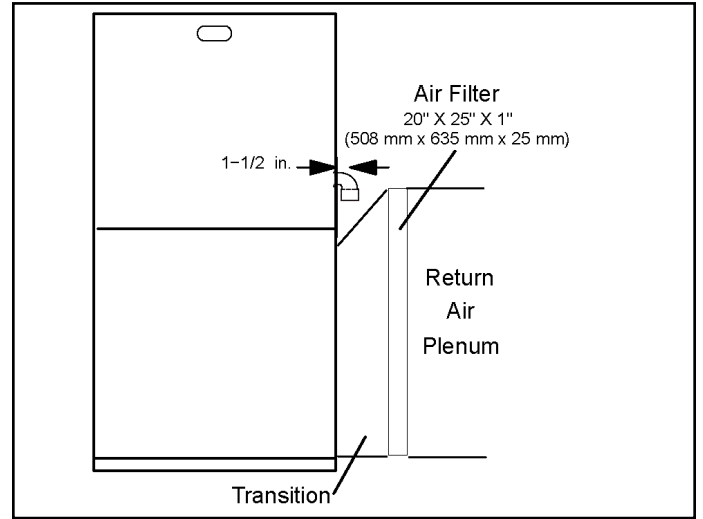
**Figure 12. Setting Equipment**



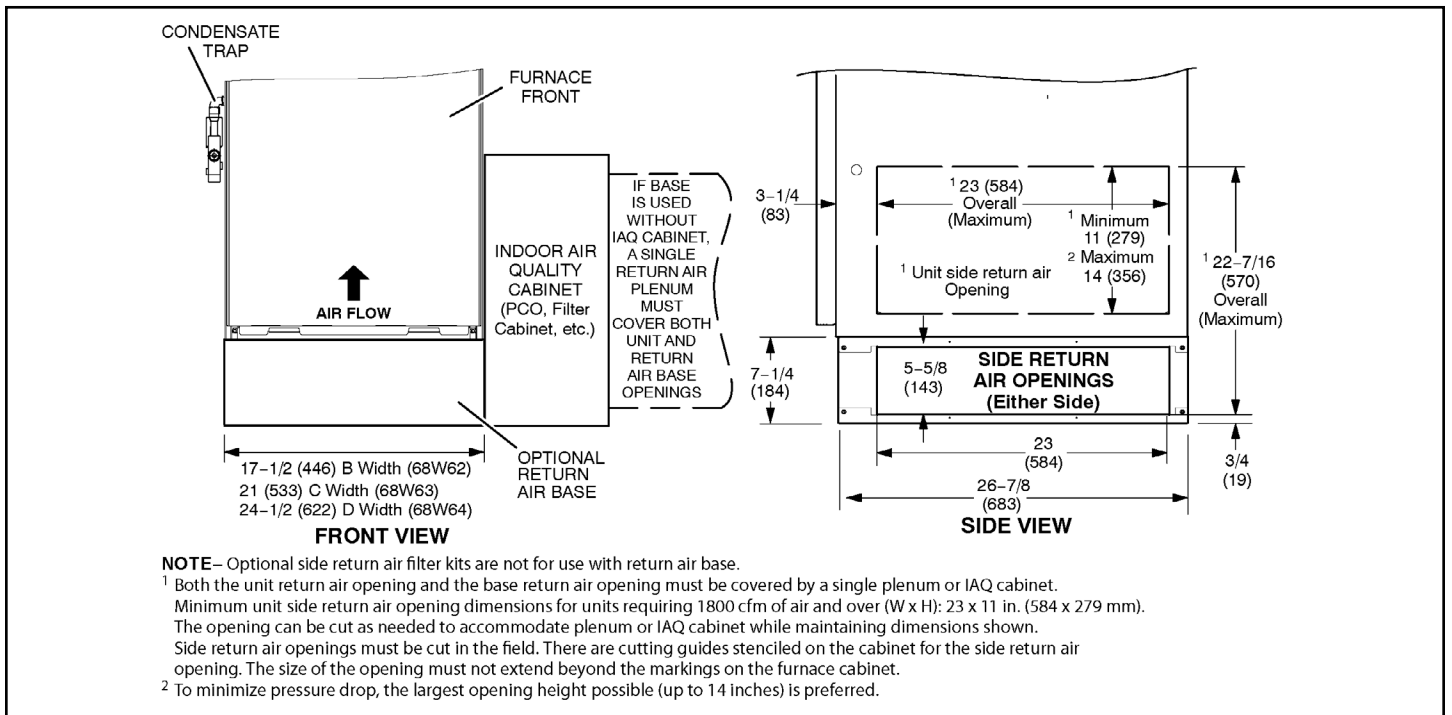
**Figure 13. Upflow Applications Installation Clearances**

Markings are provided on both sides of the furnace cabinet for installations that require side return air. Cut the furnace cabinet at the maximum dimensions shown on Page 2.

Furnace applications which include side return air and a condensate trap installed on the same side of the cabinet (trap can be installed remotely within 5 ft.) require either a return air base or field-fabricated transition to accommodate an optional IAQ accessory taller than 14.5". See Figure 14.



**Figure 14. Side Return Air (with Transition and Filter)**



**Figure 15. Optional Return Air Base (Upflow Applications Only)**

## Removing the Bottom Panel

Remove the two screws that secure the bottom cap to the furnace. Pivot the bottom cap down to release the bottom panel. Once the bottom panel has been removed, reinstall the bottom cap. See Figure 16.

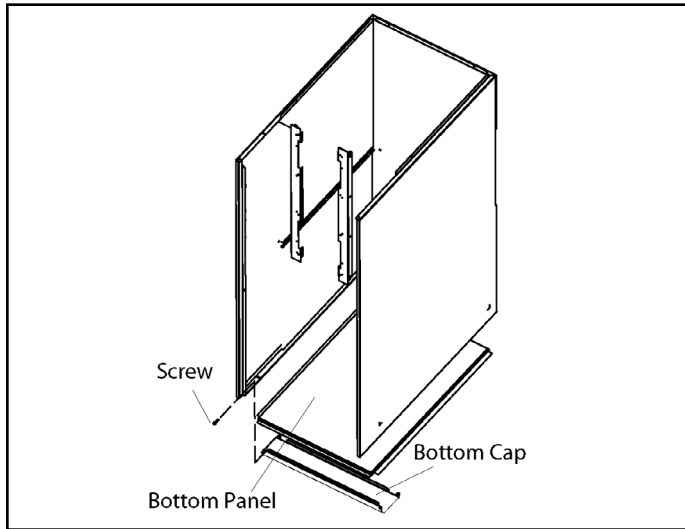


Figure 16. Removing the Bottom Panel

## Horizontal Applications



**WARNING**

Do not install the furnace on its front or its back. See Figure 17.

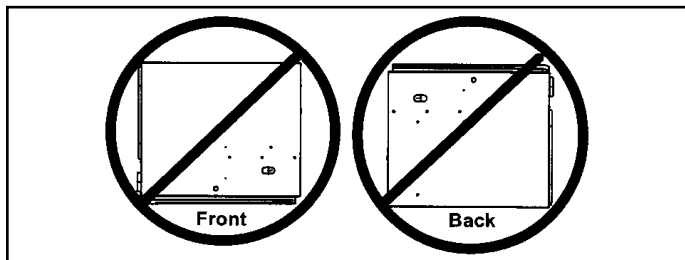


Figure 17.

This furnace can be installed in horizontal applications with either right or left hand air discharge.

Refer to Figure 18 for clearances in horizontal applications.

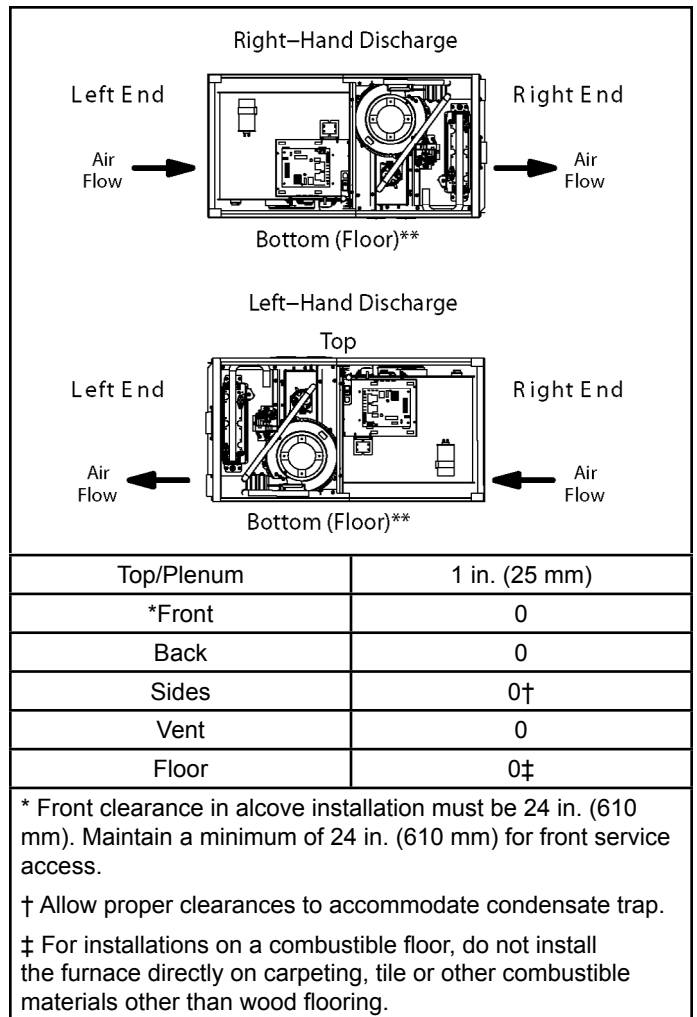


Figure 18. Horizontal Application Installation Clearances

## Suspended Installation of Horizontal Unit

This furnace may be installed in either an attic or a crawl space. Either suspend the furnace from roof rafters or floor joists, as shown in Figure 19, or install the furnace on a platform, as shown in Figure 20. A horizontal suspension kit (51W10) may be ordered from your distributor or use equivalent.

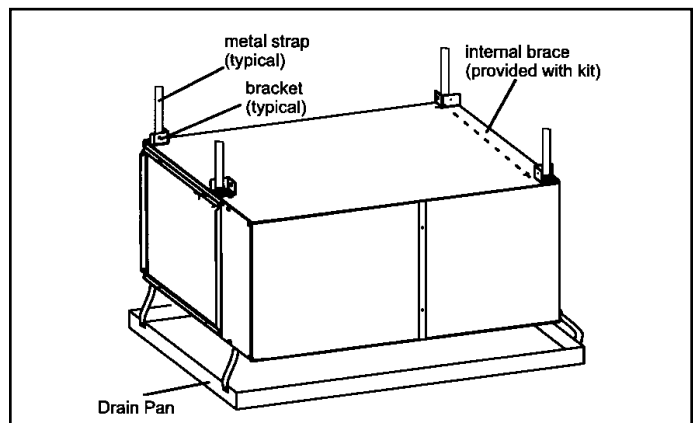


Figure 19. Typical Horizontal Application

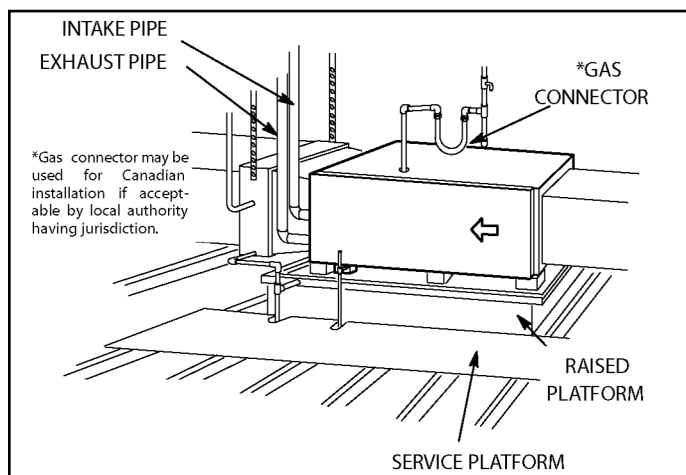
**NOTE:** Heavy-gauge sheet metal straps may be used to suspend the unit from roof rafters or ceiling joists. When straps are used to suspend the unit in this way, support must be provided for both the ends. The straps must not interfere with the plenum or exhaust piping installation.

Cooling coils and supply and return air plenums must be supported separately.

**NOTE:** When the furnace is installed on a platform or with the horizontal suspension kit in a crawl space, it must be elevated enough to avoid water damage, accommodate drain trap and to allow the evaporator coil to drain.

**Platform Installation of Horizontal Unit**

1. Select location for unit keeping in mind service and other necessary clearances. See Figure 18.
2. Construct a raised wooden frame and cover frame with a plywood sheet. If unit is installed above finished space, fabricate an auxiliary drain pan to be installed under unit. Set unit in drain pan as shown in Figure 20. Leave 8 inches for service clearance below unit for condensate trap.
3. Provide a service platform in front of unit. When installing the unit in a crawl space, a proper support platform may be created using cement blocks.
4. Route auxiliary drain line so that water draining from this outlet will be easily noticed by the homeowner.
5. If necessary, run the condensate line into a condensate pump to meet drain line slope requirements. The pump must be rated for use with condensing furnaces. Protect the condensate discharge line from the pump to the outside to avoid freezing.
6. Continue with exhaust, condensate and intake piping installation according to instructions.



**Figure 20.**

**Return Air - Horizontal Applications**

Return air may be brought in only through the end of a furnace installed in the horizontal position. The furnace is equipped with a removable bottom panel to facilitate installation. See Figure 16.

**Filters**

This unit is not equipped with a filter or rack. A field provided filter is required for the unit to operate properly. Table 1 list recommended filter sizes.

A filter must be in place whenever the is operating.

Furnace Cabinet Width	Filter Size	
	Side Return	Bottom Return
17-1/2"	16 x 25 x 1 (1)	16 x 25 x 1 (1)
21"		20 x 25 x 1 (1)
24-1/2"	16 x 25 x 1 (2)	24 x 25 x 1 (1)

**Table 1.**

**Duct System**

Use industry approved standards to size and install the supply and return air duct system. This will result in a quiet and low-static system that has uniform air distribution.

**NOTE:** This furnace is not certified for operation in heating mode (indoor blower operating at selected heating speed) with an external static pressure which exceeds 0.5 inches w.c. Operation at these conditions may result in improper limit operation.

**Supply Air Plenum**

If the furnace is installed without a cooling coil, a removable access panel should be installed in the supply air duct. The access panel should be large enough to permit inspection (by reflected light) of the heat exchanger for leaks after the furnace is installed. The furnace access panel must always be in place when the furnace is operating and it must not allow leaks into the supply air duct system.

**Return Air Plenum**

**NOTE:** Return air must not be drawn from a room where this furnace, or any other gas fueled appliance (i.e., water heater), or carbon monoxide producing device (i.e., wood fireplace) is installed.

When return air is drawn from a room, a negative pressure is created in the room. If a gas appliance is operating in a room with negative pressure, the flue products can be pulled back down the vent pipe and into the room. This reverse flow of the flue gas may result in incomplete combustion and the formation of carbon monoxide gas. This raw gas or toxic fumes might then be distributed throughout the house by the furnace duct system.

Return air can be brought in through the bottom or either side of the furnace. If a furnace with bottom return air is installed on a platform, make an airtight seal between the bottom of the furnace and the platform to ensure that the

unit operates properly and safely. Use fiberglass sealing strips, caulking, or equivalent sealing method between the plenum and the furnace cabinet to ensure a tight seal. If a filter is installed, size the return air duct to fit the filter frame.

### Pipe & Fittings Specifications

All pipe, fittings, primer and solvent cement must conform with American National Standard Institute and the American Society for Testing and Materials (ANSI/ASTM) standards. The solvent shall be free flowing and contain no lumps, undissolved particles or any foreign matter that adversely affects the joint strength or chemical resistance of the cement. The cement shall show no gelation, stratification, or separation that cannot be removed by stirring. Refer to Table 2 for approved piping and fitting materials.

**⚠ CAUTION**

Solvent cements for plastic pipe are flammable liquids and should be kept away from all sources of ignition. Do not use excessive amounts of solvent cement when making joints. Good ventilation should be maintained to reduce fire hazard and to minimize breathing of solvent vapors. Avoid contact of cement with skin and eyes.

**⚠ IMPORTANT**

A95UH1D / A93UH1D / 95G1UHD / 92G1UHD exhaust and intake connections are made of PVC. Use PVC primer and solvent cement when using PVC vent pipe. When using ABS vent pipe, use transitional solvent cement to make connections to the PVC fitting in the unit.

Use PVC primer and solvent cement or ABS solvent cement meeting ASTM specifications, refer to Table 2. As an alternate, use all purpose cement, to bond ABS, PVC, or CPVC pipe when using fittings and pipe made of the same materials. Use transition solvent cement when bonding ABS to either PVC or CPVC.

Low temperature solvent cement is recommended during cooler weather. Metal or plastic strapping may be used for vent pipe hangers. Uniformly apply a liberal coat of PVC primer for PVC or use a clean dry cloth for ABS to clean inside socket surface of fitting and male end of pipe to depth of fitting socket.

### Canadian Applications Only

Pipe, fittings, primer and solvent cement used to vent (exhaust) this appliance must be certified to ULC S636 and supplied by a single manufacturer as part of an approved vent (exhaust) system. When bonding the vent system to the furnace, use ULC S636 approved One-Step Transition

Cement to bond the pipe to the flue collar, or to bond the 90° elbow or reducing 90° elbow to the flue collar. In addition, the first three feet of vent pipe from the furnace flue collar must be accessible for inspection.

Piping and Fittings Specifications	
Schedule 40 PVC (Pipe)	D1785
Schedule 40 PVC (Cellular Core Pipe)	F891
Schedule 40 PVC (Fittings)	D2466
Schedule 40 CPVC (Pipe)	F441
Schedule 40 CPVC (Fittings)	F438
SDR-21 PVC or SDR-26 PVC (Pipe)	D2241
SDR-21 CPVC or SDR-26 CPVC (Pipe)	F442
Schedule 40 ABS Cellular Core DWV (Pipe)	F628
Schedule 40 ABS (Pipe)	D1527
Schedule 40 ABS (Fittings)	D2468
ABS-DWV (Drain Waste & Vent) (Pipe & Fittings)	D2661
PVC-DWV (Drain Waste & Vent) (Pipe & Fittings)	D2665
Primer & Solvent Cement	ASTM SPECIFICATION
PVC & CPVC Primer	F656
PVC Solvent Cement	D2564
CPVC Solvent Cement	F493
ABS Solvent Cement	D2235
PVC/CPVC/ABS All Purpose Cement For Fittings & Pipe of the same material	D2564, D2235, F493
ABS to PVC or CPVC Transition Solvent Cement	D3138
Canada Pipe & Fitting & Solvent Cement	MARKING
PVC & CPVC Pipe and Fittings	ULCS636
PVC & CPVC Solvent Cement	
ABS to PVC or CPVC Transition Cement	
Polypropylene Venting System	ULC-S636
PolyPro® by Duravent	
InnoFlue® by Centrotherm	
ECCO Polypropylene Vent™	

**Table 2.**

### Joint Cementing Procedure

All cementing of joints should be done according to the specifications outlined in ASTM D 2855.

**NOTE:** A sheet metal screw may be used to secure the intake pipe to the connector, if desired. Use a drill or self tapping screw to make a pilot hole.

Capacity	VENT PIPE DIA. (in.)	STANDARD			CONCENTRIC		
		Outdoor Exhaust Accelerator (Dia. X Length)	Outdoor Exhaust Accelerator (Dia. X Length)	Flush Mount Kit	1-1/2" Concentric Kit	2" Concentric Kit	3" Concentric Kit
		1-1/2" X 12"	2" X 12"	51W11 **	71M80 or +44W92++	69M29 or +44W92++	60L46 or 44W93+
045	2	YES		YES	YES		
	2-1/2	YES		YES	YES		
	3	YES		YES	YES		
070	2	YES		YES	YES		
	2-1/2	YES		YES	YES		
	3	YES		YES	YES		
090	2		YES	YES		YES	YES
	2-1/2		YES	YES		YES	YES
	3		YES	YES		YES	YES
110	2		YES	YES		YES	YES
	2-1/2		YES	YES		YES	YES
	3		YES	YES		YES	YES
135	3		YES	YES			YES

\* Requires field-provided and installed 1-1/2" exhaust accelerator.

\*\* Kit 51W11 is provided with a 1-1/2" accelerator which must be for all 2 and 2-1/2" PVC installations.

+ Termination kits 44W92 and 44W93 are approved for use in Canadian installations to meet CSAB149.

++ The 44W92 Concentric kit is provided with a 1-1/2" accelerator, which must be installed on the exhaust outlet when this kit is used with this furnace.

**Table 3. Outdoor Termination Kits Usage**



**DANGER**

**DANGER OF EXPLOSION!**

Fumes from PVC glue may ignite during system check. Allow fumes to dissipate for at least 5 minutes before placing unit into operation.

1. Measure and cut vent pipe to desired length.
2. Deburr and chamfer end of pipe, removing any ridges or rough edges. If end is not chamfered, edge of pipe may remove cement from fitting socket and result in a leaking joint.
3. Clean and dry surfaces to be joined.
4. Test fit joint and mark depth of fitting on outside of pipe.
5. Uniformly apply a liberal coat of PVC primer for PVC or use a clean dry cloth for ABS to clean inside socket surface of fitting and male end of pipe to depth of fitting socket.

**NOTE:** Time is critical at this stage. Do not allow primer to dry before applying cement.

6. Promptly apply solvent cement to end of pipe and inside socket surface of fitting. Cement should be applied lightly but uniformly to inside of socket. Take care to keep excess cement out of socket. Apply second coat to end of pipe.
7. Immediately after applying last coat of cement to pipe, and while both inside socket surface and end of pipe are wet with cement, forcefully insert end of pipe into socket until it bottoms out. Turn PVC pipe 1/4 turn during assembly (but not after pipe is fully inserted) to distribute cement evenly. Do not turn ABS or cellular core pipe.  
**NOTE:** Assembly should be completed within 20 seconds after last application of cement. Hammer blows should not be used when inserting pipe.
8. After assembly, wipe excess cement from pipe at end of fitting socket. A properly made joint will show a bead around its entire perimeter. Any gaps may indicate an improper defective assembly due to insufficient solvent.
9. Handle joints carefully until completely set.

## Venting Practices

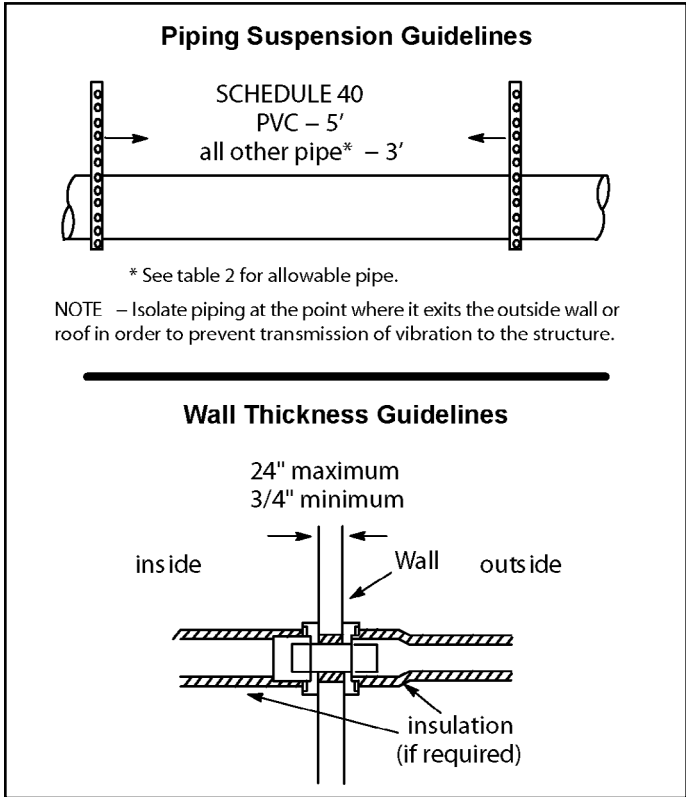


Figure 21.

### Removal of the Furnace from Common Vent

In the event that an existing furnace is removed from a venting system commonly run with separate gas appliances, the venting system is likely to be too large to properly vent the remaining attached appliances.

Conduct the following test while each appliance is operating and the other appliances (which are not operating) remain connected to the common venting system. If the venting system has been installed improperly, you must correct the system as indicated in the general venting requirements section.

**⚠ WARNING**

**CARBON MONOXIDE POISONING HAZARD**

Failure to follow the steps outlined below for each appliance connected to the venting system being placed into operation could result in carbon monoxide poisoning or death.

The following steps shall be followed for each appliance connected to the venting system being placed into operation, while all other appliances connected to the venting system are not in operation.

1. Seal any unused openings in the common venting system.
2. Inspect the venting system for proper size and horizontal pitch. Determine that there is no blockage, restriction, leakage, corrosion, or other deficiencies which could cause an unsafe condition.
3. Close all building doors and windows and all doors between the space in which the appliances remaining connected to the common venting system are located and other spaces of the building. Turn ON clothes dryers and any appliances not connected to the common venting system. Turn ON any exhaust fans, such as range hoods and bathroom exhausts, so they will operate at maximum speed. Do not operate a summer exhaust fan. Close fireplace dampers.
4. Follow the lighting instructions. Turn ON the appliance that is being inspected. Adjust the thermostat so that the appliance operates continuously.
5. After the main burner has operated for 5 minutes, test for leaks of flue gases at the draft hood relief opening. Use the flame of a match or candle.
6. After determining that each appliance connected to the common venting system is venting properly, (step 3) return all doors, windows, exhaust fans, fireplace dampers, and any other gas burning appliances to their previous mode of operation.
7. If a venting problem is found during any of the preceding tests, the common venting system must be modified to correct the problems.

Resize the common venting system to the minimum vent pipe size determined by using the appropriate tables in Appendix G. (These are in the current standards of the National Fuel Gas Code ANSI Z223.1.

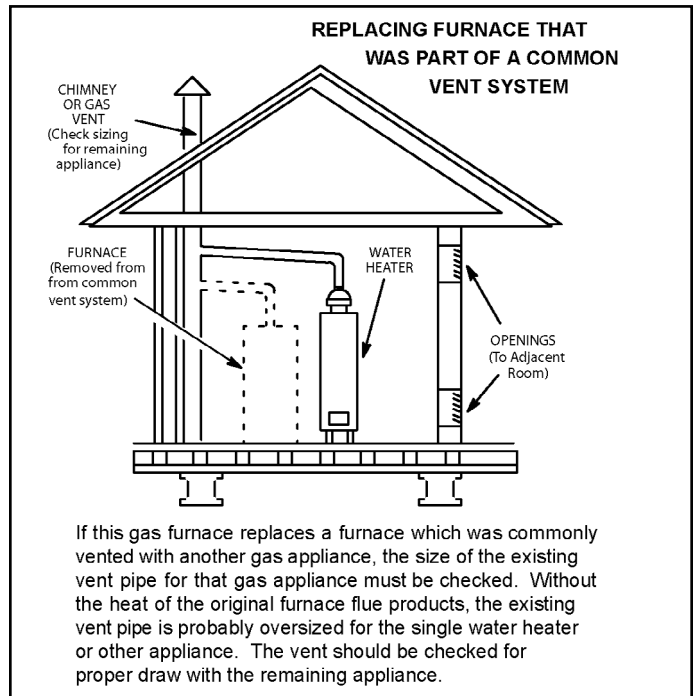


Figure 22.



## Exhaust Piping

See Figure 25 and Figure 26

1. In areas where piping penetrates joist or interior walls, hole must be large enough to allow clearance on all sides of pipe through center of hole using a hanger.
2. When furnace is installed in a residence where unit is shut down for an extended period of time, such as a vacation home, make provisions for draining condensate collection from trap and lines.
3. Route piping to outside of structure. Continue with installation following instructions given in piping termination section.

### CAUTION

Do not discharge exhaust into an existing stack or stack that also serves another gas appliance. If vertical discharge through an existing unused stack is required, insert PVC pipe inside the stack until the end is even with the top or outlet end of the metal stack.

### CAUTION

The exhaust vent pipe operates under positive pressure and must be completely sealed to prevent leakage of combustion products into the living space.

## Vent Piping Guidelines

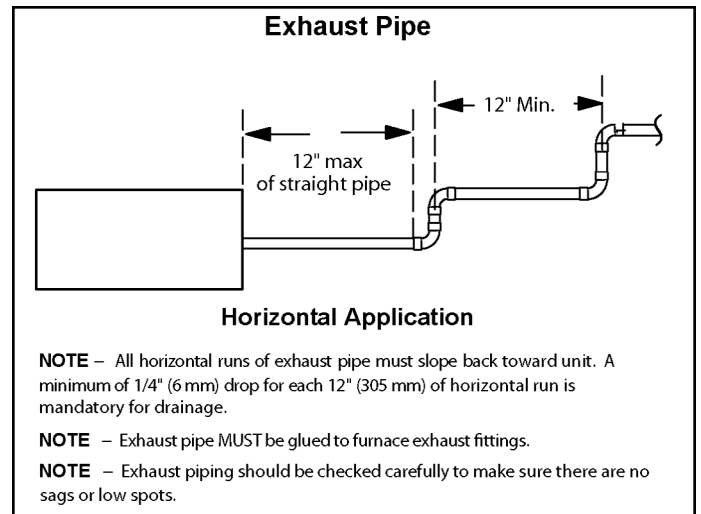
This gas furnace can be installed as either a Non-Direct Vent or a Direct Vent gas central furnace.

**NOTE:** *In non-Direct Vent installations, combustion air is taken from indoors and flue gases are discharged outdoors. In Direct Vent installations, combustion air is taken from outdoors and flue gases are discharged outdoors.*

Intake and exhaust pipe sizing - Size pipe according to Table 4 and Table 5A through Table 6C. Table 4 lists the minimum vent pipe lengths permitted. Table 5A and Table 5B list the maximum pipe lengths permitted for A93UH1D and 92G1UH-P. Table 6A through Table 6C list the maximum pipe lengths permitted for A95UH1D and 95G1UH-P.

Regardless of the diameter of pipe used, the standard roof and wall terminations described in section Exhaust Piping Terminations should be used. Exhaust vent termination pipe is sized to optimize the velocity of the exhaust gas as it exits the termination. Refer to Table 8.

In some applications which permit the use of several different sizes of vent pipe, a combination vent pipe may be used. Contact Allied Air Technical Service for assistance in sizing vent pipe in these applications.



**Figure 23.**

**NOTE:** *It is acceptable to use any pipe size which fits within the guidelines allowed in Table 5A and Table 5B, and Table 6A through Table 6C.*

**NOTE:** *The exhaust collar on all models is sized to accommodate 2" Schedule 40 vent pipe. In horizontal applications, transition to exhaust pipe larger than 2" must be made in vertical runs of the pipe. A 2" elbow must be added before the pipe is transitioned to any size larger than 2". This elbow must be added to the elbow count used to determine acceptable vent lengths. Contact the Application Department for more information concerning sizing of vent systems which include multiple pipe sizes.*

Capacity	Min. Vent Length*
045, 070, 090, 110	15 ft. or 5 ft plus 2 elbows or 10 ft plus 1 elbow
135**	

\* Any approved termination may be added to the minimum length listed.

\*\* This gas furnace must have 3" to 2" reducing elbow (supplied or field replacement Canadian kit) installed directly into unit flue collar.

**Table 4. Minimum Vent Pipe Lengths**

### IMPORTANT

Do not use screens or perforated metal in exhaust or intake terminations. Doing so will cause freeze-ups and may block the terminations.

Use Figure 24 to correctly size vent pipe diameter.

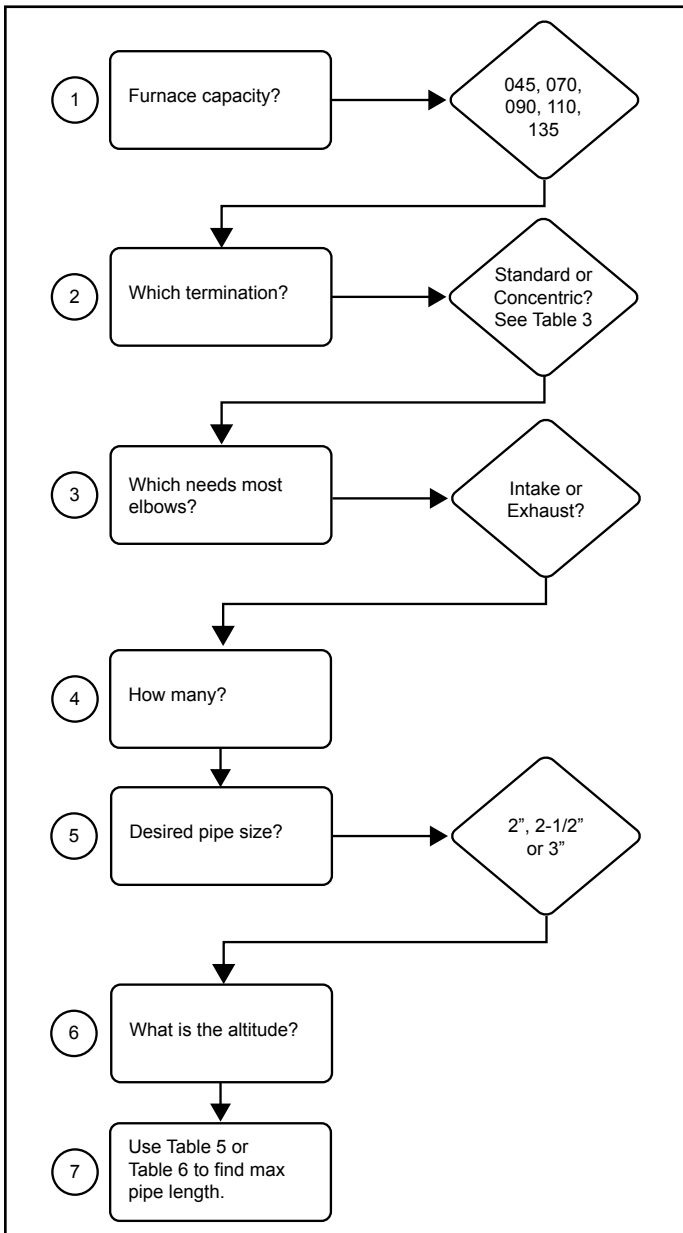


Figure 24.

**A93UH1D and 92G1UH-P Maximum Allowable Intake or Exhaust Vent Length in Feet**

**Standard Termination at Elevation 0 - 10,000 ft**

Number of 90° Elbows Used	2" Pipe					2-1/2" Pipe					3" Pipe				
	Capacity					Capacity					Capacity				
	045	070	090	110	135	045	070	090	110	135	045	070	090	110	135
1	76	61	39	19	n/a	110	95	63	38	n/a	132	132	113	113	109
2	71	56	34	14		105	90	58	33		127	127	108	108	104
3	66	51	29	9		100	85	53	28		122	122	103	103	99
4	61	46	24	n/a		95	80	48	23		117	117	98	98	94
5	56	41	19			90	75	43	18		112	112	93	93	89
6	51	36	14			85	70	38	13		107	107	88	88	84
7	46	31	9			80	65	33	8		102	102	83	83	79
8	41	26	n/a			75	60	28	n/a		97	97	78	78	74
9	36	21				70	55	23			92	92	73	73	69
10	31	16		65		50	18		87		87	68	68	64	

**Concentric Termination Elevation 0 - 10,000 ft**

Number of 90° Elbows Used	2" Pipe					2-1/2" Pipe					3" Pipe				
	Capacity					Capacity					Capacity				
	045	070	090	110	135	045	070	090	110	135	045	070	090	110	135
1	68	53	37	17	n/a	100	85	59	34	n/a	116	116	109	109	100
2	63	48	32	12		95	80	54	29		111	111	104	104	95
3	58	43	27	7		90	75	49	24		106	106	99	99	90
4	53	38	22	n/a		85	70	44	19		101	101	94	94	85
5	48	33	17			80	65	39	14		96	96	89	89	80
6	43	28	12			75	60	34	9		91	91	84	84	75
7	38	23	7			70	55	29	n/a		86	86	79	79	70
8	33	18	n/a			65	50	24			81	81	74	74	65
9	28	13				60	45	19	76		76	69	69	60	
10	23	8		55		40	14		71		71	64	64	55	

*\*Size intake and exhaust pipe length separately. Values in table are for Intake OR Exhaust, not combined total. Both Intake and Exhaust must be same pipe size.*

**Table 5A.**

<b>A93UH1D and 92G1UH-P Maximum Allowable Exhaust Vent Length with Furnace Installed in a Closet or Basement Using Ventilated Attic or Crawl Space for Intake in Feet</b>															
<b>Standard Termination at Elevation 0 - 10,000 ft</b>															
<b>Number of 90° Elbows Used</b>	<b>2" Pipe</b>					<b>2-1/2" Pipe</b>					<b>3" Pipe</b>				
	<b>Capacity</b>					<b>Capacity</b>					<b>Capacity</b>				
	<b>045</b>	<b>070</b>	<b>090</b>	<b>110</b>	<b>135</b>	<b>045</b>	<b>070</b>	<b>090</b>	<b>110</b>	<b>135</b>	<b>045</b>	<b>070</b>	<b>090</b>	<b>110</b>	<b>135</b>
1	66	51	29	9	n/a	95	80	48	23	n/a	112	112	93	93	89
2	61	46	24	4		90	75	43	18		107	107	88	88	84
3	56	41	19	n/a		85	70	38	13		102	102	83	83	79
4	51	36	14			80	65	33	8		97	97	78	78	74
5	46	31	9			75	60	28	3		92	92	73	73	69
6	41	26	4			70	55	23	n/a		87	87	68	68	64
7	36	21	n/a			65	50	18			82	82	63	63	59
8	31	16				60	45	13			77	77	58	58	54
9	26	11				55	40	8	72		72	53	53	49	

**NOTE:** Additional vent pipe and elbows used to terminate the vent pipe outside the structure must be included in the total vent length calculation.

**Table 5B.**

**A95UH1D and 95G1UH-P Maximum Allowable Intake or Exhaust Vent Length in Feet**

Standard Termination at Elevation 0 - 4,500 ft															
Number of 90° Elbows Used	2" Pipe					2-1/2" Pipe					3" Pipe				
	Capacity					Capacity					Capacity				
	045	070	090	110	135	045	070	090	110	135	045	070	090	110	135
1	76	61	39	19	n/a	110	95	63	38	n/a	132	132	113	113	109
2	71	56	34	14		105	90	58	33		127	127	108	108	104
3	66	51	29	9		100	85	53	28		122	122	103	103	99
4	61	46	24	n/a		95	80	48	23		117	117	98	98	94
5	56	41	19			90	75	43	18		112	112	93	93	89
6	51	36	14			85	70	38	13		107	107	88	88	84
7	46	31	9			80	65	33	8		102	102	83	83	79
8	41	26	n/a			75	60	28	n/a		97	97	78	78	74
9	36	21				70	55	23			92	92	73	73	69
10	31	16		65		50	18	87	87		68	68	64		
Standard Termination Elevation 4,501 - 10,000 ft															
Number of 90° Elbows Used	2" Pipe					2-1/2" Pipe					3" Pipe				
	Capacity					Capacity					Capacity				
	045	070	090	110	135	045	070	090	110	135	045	070	090	110	135
1	76	61	39	n/a	n/a	110	95	63	38	n/a	132	132	113	113	109
2	71	56	34			105	90	58	33		127	127	108	108	104
3	66	51	29			100	85	53	28		122	122	103	103	99
4	61	46	24			95	80	48	23		117	117	98	98	94
5	56	41	19			90	75	43	18		112	112	93	93	89
6	51	36	14			85	70	38	13		107	107	88	88	84
7	46	31	9			80	65	33	8		102	102	83	83	79
8	41	26	n/a			75	60	28	n/a		97	97	78	78	74
9	36	21				70	55	23			92	92	73	73	69
10	31	16				65	50	18	87		87	68	68	64	
*Size intake and exhaust pipe length separately. Values in table are for Intake OR Exhaust, not combined total. Both Intake and Exhaust must be same pipe size.															

**Table 6A.**

**A95UH1D and 95G1UH-P Maximum Allowable Intake or Exhaust Vent Length in Feet**

<b>Concentric Termination at Elevation 0 - 4,500 ft</b>															
<b>Number of 90° Elbows Used</b>	<b>2" Pipe</b>					<b>2-1/2" Pipe</b>					<b>3" Pipe</b>				
	<b>Capacity</b>					<b>Capacity</b>					<b>Capacity</b>				
	<b>045</b>	<b>070</b>	<b>090</b>	<b>110</b>	<b>135</b>	<b>045</b>	<b>070</b>	<b>090</b>	<b>110</b>	<b>135</b>	<b>045</b>	<b>070</b>	<b>090</b>	<b>110</b>	<b>135</b>
1	68	53	37	17	n/a	100	85	59	34	n/a	116	116	109	109	100
2	63	48	32	12		95	80	54	29		111	111	104	104	95
3	58	43	27	7		90	75	49	24		106	106	99	99	90
4	53	38	22	n/a		85	70	44	19		101	101	94	94	85
5	48	33	17			80	65	39	14		96	96	89	89	80
6	43	28	12			75	60	34	9		91	91	84	84	75
7	38	23	7			70	55	29	n/a		86	86	79	79	70
8	33	18	n/a			65	50	24			81	81	74	74	65
9	28	13				60	45	19			76	76	69	69	60
10	23	8				55	40	14			71	71	64	64	55
<b>Concentric Termination Elevation 4,501 - 10,000 ft</b>															
<b>Number of 90° Elbows Used</b>	<b>2" Pipe</b>					<b>2-1/2" Pipe</b>					<b>3" Pipe</b>				
	<b>Capacity</b>					<b>Capacity</b>					<b>Capacity</b>				
	<b>045</b>	<b>070</b>	<b>090</b>	<b>110</b>	<b>135</b>	<b>045</b>	<b>070</b>	<b>090</b>	<b>110</b>	<b>135</b>	<b>045</b>	<b>070</b>	<b>090</b>	<b>110</b>	<b>135</b>
1	68	53	37	n/a	n/a	100	85	59	34	n/a	116	116	109	109	100
2	63	48	32			95	80	54	29		111	111	104	104	95
3	58	43	27			90	75	49	24		106	106	99	99	90
4	53	38	22			85	70	44	19		101	101	94	94	85
5	48	33	17			80	65	39	14		96	96	89	89	80
6	43	28	12			75	60	34	9		91	91	84	84	75
7	38	23	7			70	55	29	n/a		86	86	79	79	70
8	33	18	n/a			65	50	24			81	81	74	74	65
9	28	13				60	45	19			76	76	69	69	60
10	23	8				55	40	14			71	71	64	64	55
<i>*Size intake and exhaust pipe length separately. Values in table are for Intake OR Exhaust, not combined total. Both Intake and Exhaust must be same pipe size.</i>															

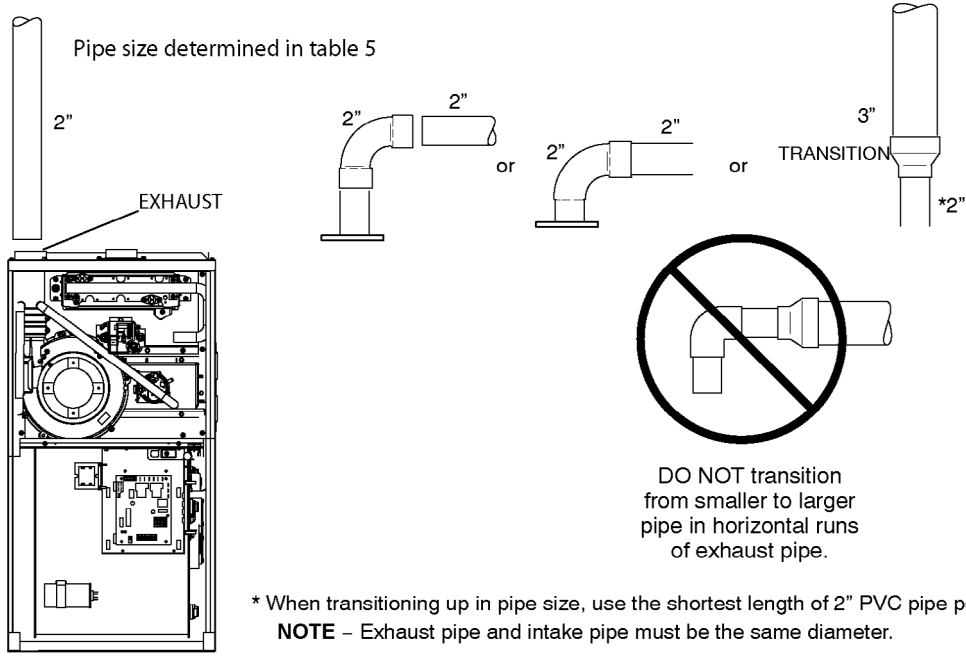
**Table 6B.**

**A95UH1D and 95G1UH-P Maximum Allowable Exhaust Vent Length with Furnace Installed in a Closet or Basement Using Ventilated Attic or Crawl Space for Intake in Feet**

Standard Termination at Elevation 0 - 4,500 ft															
Number of 90° Elbows Used	2" Pipe					2-1/2" Pipe					3" Pipe				
	Capacity					Capacity					Capacity				
	045	070	090	110	135	045	070	090	110	135	045	070	090	110	135
1	66	51	29	9	n/a	95	95	73	38	n/a	113	112	93	93	89
2	61	46	24	4		90	90	68	33		108	107	88	88	84
3	56	41	19	n/a		85	85	63	28		103	102	83	83	79
4	51	36	14			80	80	58	23		98	97	78	78	74
5	46	31	9			75	75	53	18		93	92	73	73	69
6	41	26	4			70	70	48	13		88	87	68	68	64
7	36	21	n/a			65	65	43	8		83	82	63	63	59
8	31	16				60	60	38	3		78	77	58	58	54
9	26	11				55	55	33	n/a		73	72	53	53	49
10	21	6				50	50	28			68	67	48	48	44
Standard Termination Elevation 4,501 - 10,000 ft															
Number of 90° Elbows Used	2" Pipe					2-1/2" Pipe					3" Pipe				
	Capacity					Capacity					Capacity				
	045	070	090	110	135	045	070	090	110	135	045	070	090	110	135
1	66	51	29	n/a	n/a	95	95	73	38	n/a	113	112	93	93	89
2	61	46	24			90	90	68	33		108	107	88	88	84
3	56	41	19			85	85	63	28		103	102	83	83	79
4	51	36	14			80	80	58	23		98	97	78	78	74
5	46	31	9			75	75	53	18		93	92	73	73	69
6	41	26	4			70	70	48	13		88	87	68	68	64
7	36	21	n/a			65	65	43	8		83	82	63	63	59
8	31	16				60	60	38	3		78	77	58	58	54
9	26	11				55	55	33	n/a		73	72	53	53	49
10	21	6				50	50	28			68	67	48	48	44
<b>NOTE:</b> Additional vent pipe and elbows used to terminate the vent pipe outside the structure must be included in the total vent length calculation.															

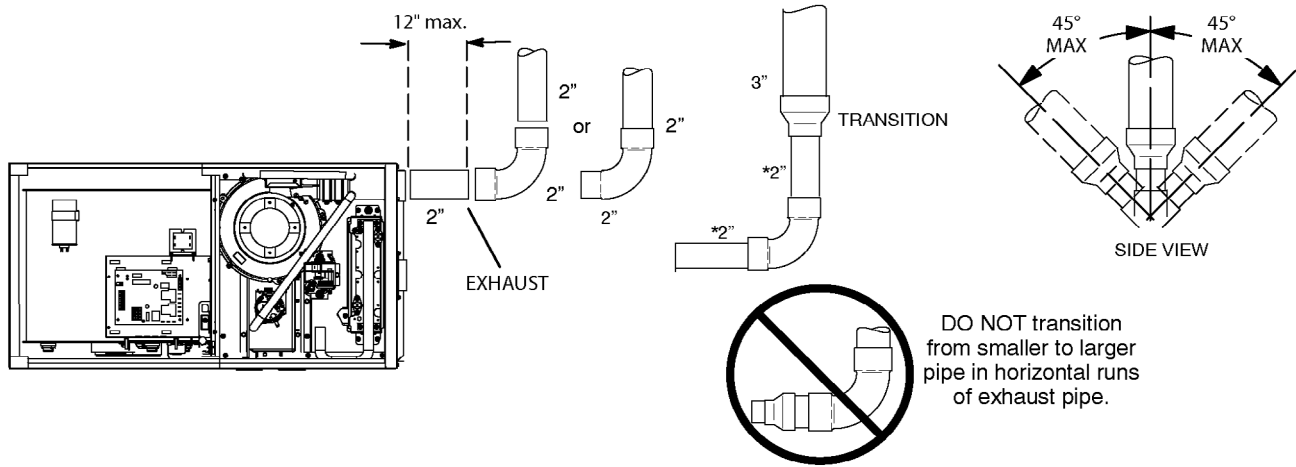
**Table 6C.**

**TYPICAL EXHAUST PIPE CONNECTIONS IN UPFLOW DIRECT OR NON-DIRECT VENT APPLICATIONS**



**Figure 25.**

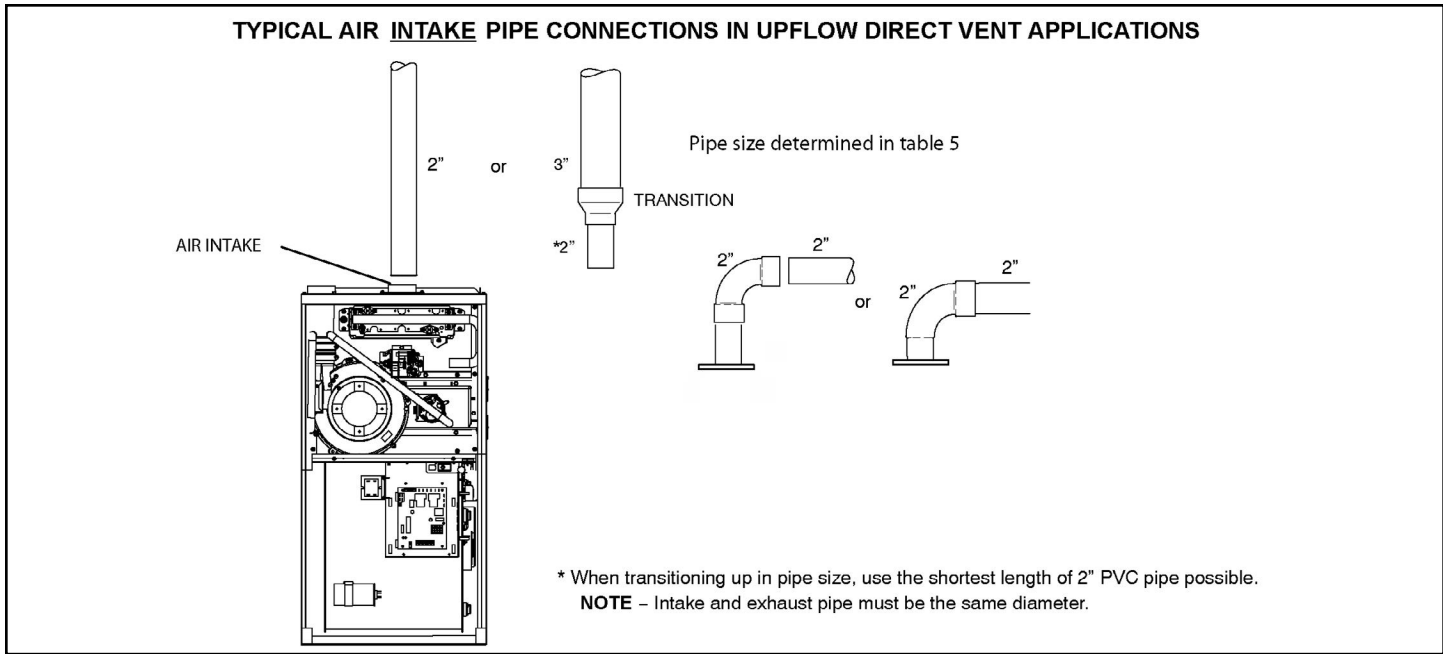
**TYPICAL EXHAUST PIPE CONNECTIONS IN HORIZONTAL DIRECT OR NON-DIRECT VENT APPLICATIONS (RIGHT HAND DISCHARGE SHOWN)**



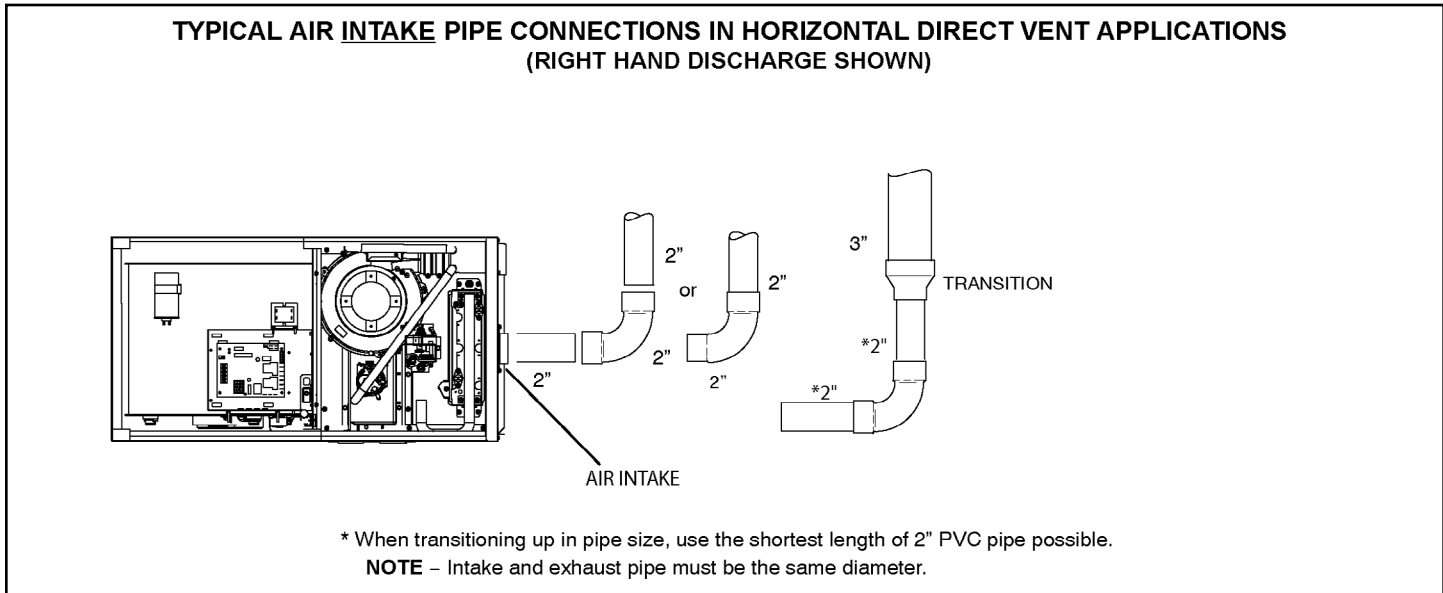
\* When transitioning up in pipe size, use the shortest length of 2" PVC pipe possible.  
 NOTE - Exhaust pipe and intake pipe must be the same diameter.

**Figure 26.**





**Figure 27.**



**Figure 28.**

**Intake Piping**

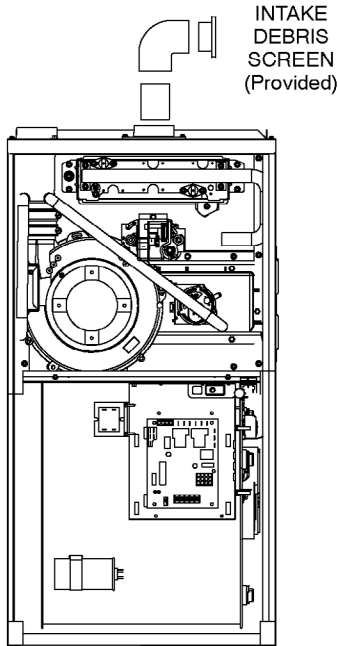
See Figure 27 through Figure 30

This gas furnace may be installed in either direct vent or non-direct vent applications. In non-direct vent applications, when intake air will be drawn into the furnace from the surrounding space, the indoor air quality must be considered and guidelines listed in Combustion, Dilution and Ventilation Air section must be followed.

Follow the next two steps when installing the unit in Direct Vent applications, where combustion air is taken from outdoors and flue gases are discharged outdoors. The provided air intake screen must not be used in direct vent applications (outdoors).

1. Use transition solvent cement or a sheet metal screw to secure the intake pipe to the inlet air connector.
2. Route piping to outside of structure. Continue with installation following instructions given in general guide lines for piping terminations and in intake and exhaust piping terminations for direct vent sections. Refer to Table 5A and Table 5B, and Table 6A through Table 6C for pipe sizes.

**TYPICAL AIR INTAKE PIPE CONNECTIONS**  
UPFLOW NON-DIRECT  
VENT APPLICATIONS



**NOTE** – Debris screen and elbow may be rotated, so that screen may be positioned to face forward or to either side.

**Figure 29.**

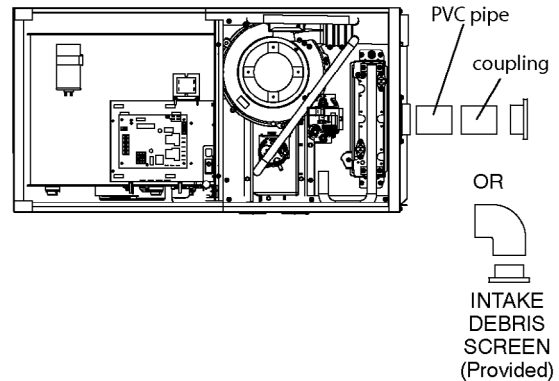
**⚠ CAUTION**

If this unit is being installed in an application with combustion air coming in from a space serviced by an exhaust fan, power exhaust fan, or other device which may create a negative pressure in the space, take care when sizing the inlet air opening. The inlet air opening must be sized to accommodate the maximum volume of exhausted air as well as the maximum volume of combustion air required for all gas appliances serviced by this space.

Follow the next two steps when installing the unit in Non-Direct Vent applications where combustion air is taken from indoors and flue gases are discharged outdoors.

1. Use field-provided materials and the factory-provided air intake screen to route the intake piping as shown in Figure 29 or Figure 30. Maintain a minimum clearance of 3" (76 mm) around the air intake opening. The air intake opening (with the protective screen) should always be directed forward or to either side in the upflow position, and either straight out or downward in the horizontal position.

**TYPICAL AIR INTAKE PIPE CONNECTIONS**  
HORIZONTAL NON-DIRECT VENT APPLICATIONS  
(Horizontal Right-Hand Air Discharge Application Shown)

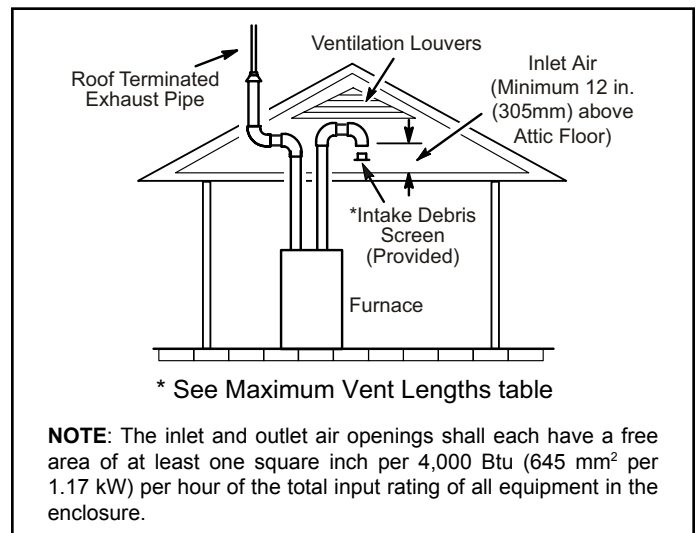


**NOTE** – Debris screen may be positioned straight out (preferred) or with an elbow rotated to face down.

**Figure 30.**

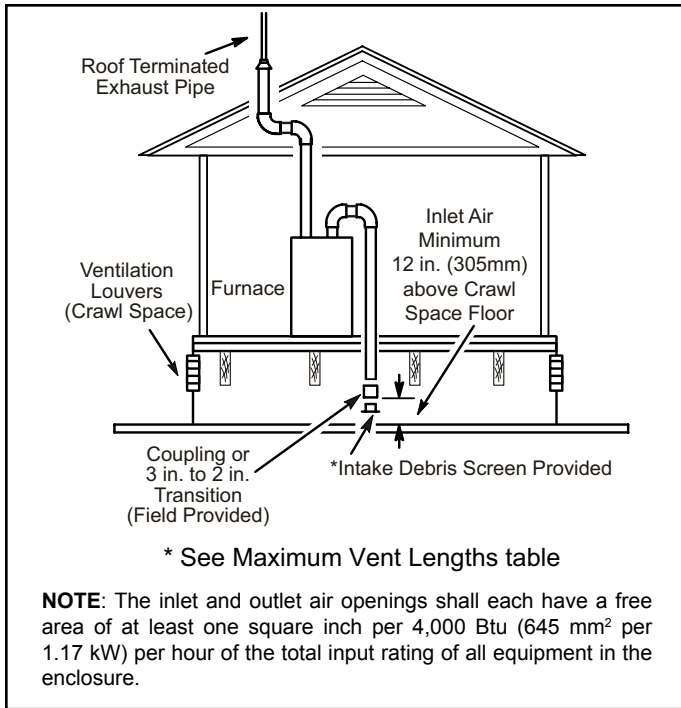
The air intake piping must not terminate too close to the flooring or a platform. Ensure that the intake air inlet will not be obstructed by loose insulation or other items that may clog the debris screen.

2. If intake air is drawn from a ventilated attic (Figure 31) or ventilated crawlspace (Figure 32) the exhaust vent length must not exceed those listed in Table 5B or Table 6C. If 3" diameter pipe is used, reduce to 2" diameter pipe at the termination point to accommodate the debris screen.
3. Use a sheet metal screw to secure the intake pipe to the connector, if desired.



**Figure 31. Equipment in Confined Space**  
(Inlet Air from Ventilated Attic & Outlet Air to Outside)

**NOTE:** The inlet and outlet air openings shall each have a free area of at least one square inch per 4,000 Btu (645 mm<sup>2</sup> per 1.17 kW) per hour of the total input rating of all equipment in the enclosure.

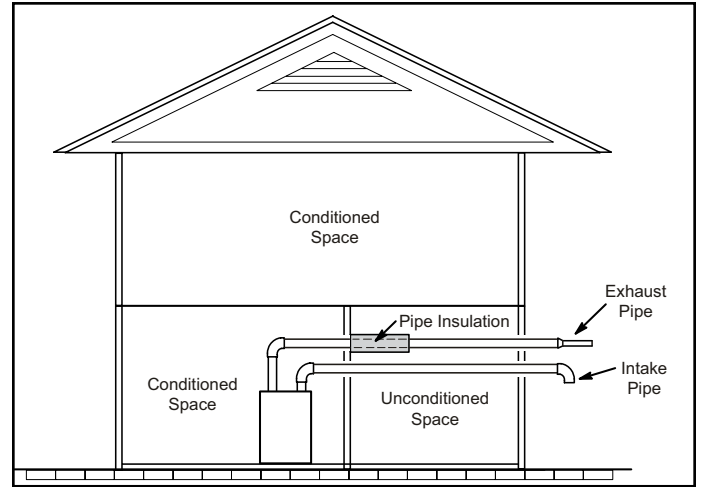


**Figure 32. Equipment in Confined Space (Inlet Air from Ventilated Crawl Space & Outlet Air to Outside)**

**General Guidelines for Vent Terminations**

In Non-Direct Vent applications, combustion air is taken from indoors and the flue gases are discharged to the outdoors. This furnace is then classified as a non-direct vent, Category IV gas furnace.

In Direct Vent applications, combustion air is taken from outdoors and the flue gases are discharged to the outdoors. This furnace is then classified as a direct vent, Category IV gas furnace.



**Figure 33. Insulating Exhaust Pipe in an Unconditioned Space**

**Maximum Allowable Exhaust Vent Pipe Length (in ft.) without Insulation in Unconditioned Space for Winter Design Temperatures Single - Stage High Efficiency Furnace**

Winter Design Temperatures <sup>1</sup> °F (°C)	Vent Pipe Diameter	Unit Input Size									
		045		070		090		110		135	
		PVC	<sup>2</sup> PP	PVC	<sup>2</sup> PP	PVC	<sup>2</sup> PP	PVC	<sup>2</sup> PP	PVC	<sup>2</sup> PP
32 to 21 (0 to -6)	2 in.	18	16	31	28	50	48	30	30	N/A	N/A
	2-1/2 in.	13	N/A	24	N/A	42	N/A	56	N/A	N/A	N/A
	3 in.	9	9	18	18	35	35	47	47	52	52
20 to 1 (-7 to -17)	2 in.	9	8	18	16	32	29	30	30	N/A	N/A
	2-1/2 in.	5	N/A	13	N/A	24	N/A	34	N/A	N/A	N/A
	3 in.	N/A	N/A	8	8	19	19	26	26	30	30
0 to -20 (-18 to -29)	2 in.	5	3	12	10	22	19	30	27	N/A	N/A
	2-1/2 in.	N/A	N/A	7	N/A	15	N/A	22	N/A	N/A	N/A
	3 in.	N/A	N/A	N/A	N/A	10	10	16	16	18	18

<sup>1</sup> Refer to 99% Minimum Design Temperature table provided in the current edition of the ASHRAE Fundamentals Handbook.

<sup>2</sup> Poly-Propylene vent pipe (PP) by Duravent and Centrotherm

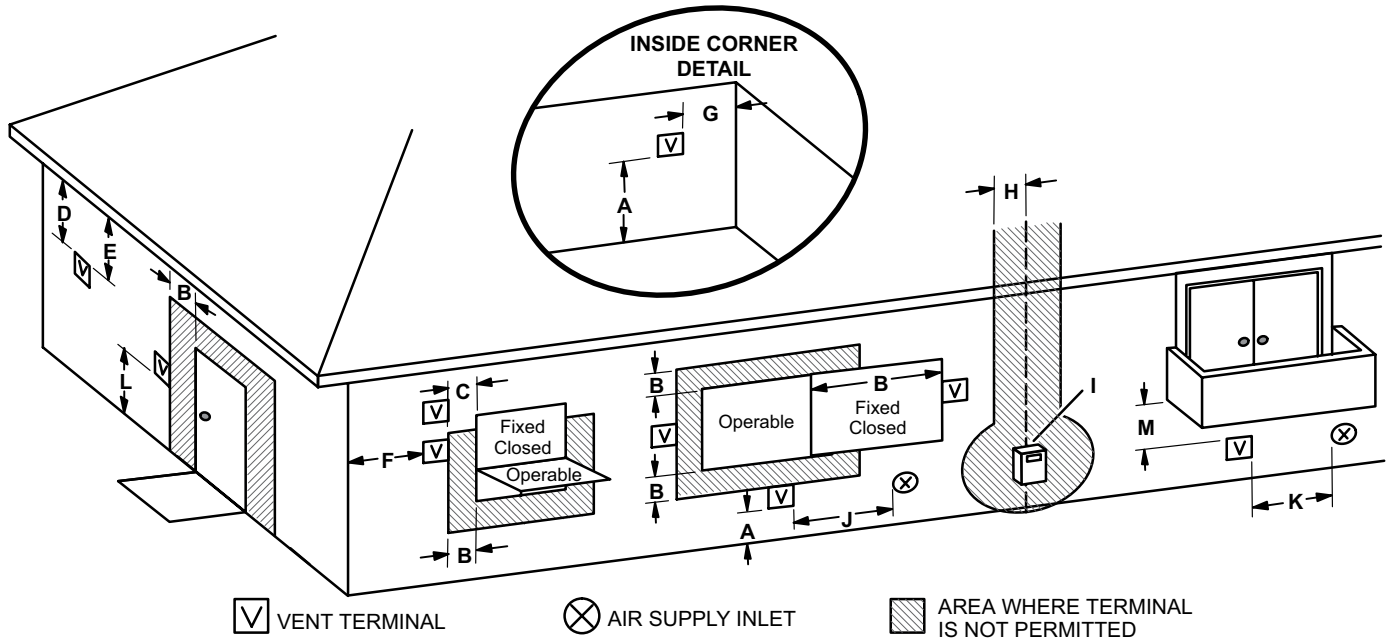
NOTE - Concentric terminations are the equivalent of 5' and should be considered when measuring pipe length.

NOTE- Maximum uninsulated vent lengths listed may include the termination (vent pipe exterior to the structure ) and cannot exceed 5 linear feet or the maximum allowable intake or exhaust vent length listed in Table 5A and Table 5B or Table 6A through Table 6C.

NOTE - If insulation is required in an unconditioned space, it must be located on the pipe closest to the furnace. See Figure 33.

**Table 7.**

## VENT TERMINATION CLEARANCES FOR NON-DIRECT VENT INSTALLATIONS IN THE US AND CANADA



	US Installations <sup>1</sup>	Canadian Installations <sup>2</sup>
A =	Clearance above grade, veranda, porch, deck or balcony	12 inches (305mm) or 12 in. (305mm) above average snow accumulation.
B =	Clearance to window or door that may be opened	4 feet (1.2 m) below or to side of opening; 1 foot (30cm) above opening
C =	Clearance to permanently closed window	* 12"
D =	Vertical clearance to ventilated soffit located above the terminal within a horizontal distance of 2 feet (610 mm) from the center line of the terminal	* Equal to or greater than soffit depth.
E =	Clearance to unventilated soffit	* Equal to or greater than soffit depth.
F =	Clearance to outside corner	* No minimum to outside corner
G =	Clearance to inside corner	*
H =	Clearance to each side of center line extended above meter / regulator assembly	* 3 feet (.9m) within a height 15 feet (4.5m) above the meter / regulator assembly
I =	Clearance to service regulator vent outlet	* 3 feet (.9m)
J =	Clearance to non-mechanical air supply inlet to building or the combustion air inlet to any other appliance	4 feet (1.2 m) below or to side of opening; 1 foot (30 cm) above opening
K =	Clearance to mechanical air supply inlet	3 feet (.9m) above if within 10 feet (3m) horizontally
L =	Clearance above paved sidewalk or paved driveway located on public property	7 feet (2.1m)†
M =	Clearance under veranda, porch, deck or balcony	*12 inches (305mm)‡

<sup>1</sup> In accordance with the current ANSI Z223.1/NFPA 54 Natural Fuel Gas Code

<sup>2</sup> In accordance with the current CSA B149.1, Natural Gas and Propane Installation Code

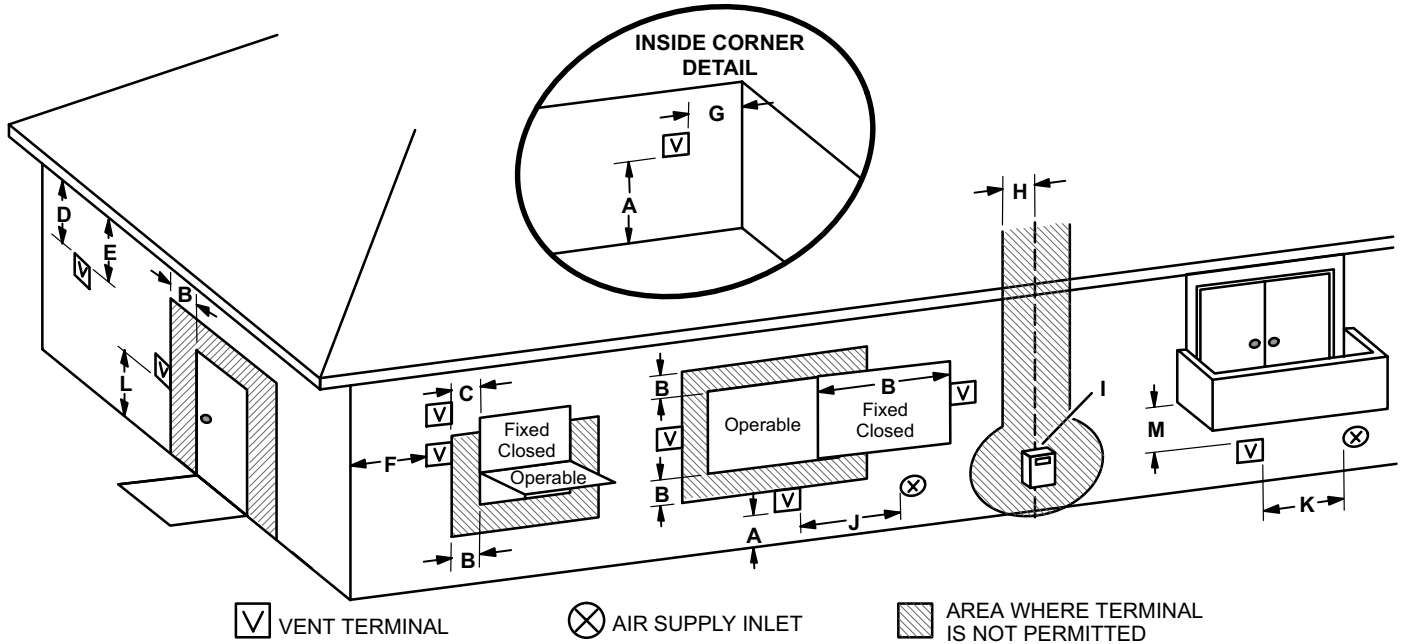
† A vent shall not terminate directly above a sidewalk or paved driveway that is located between two single family dwellings and serves both dwellings.

‡ Permitted only if veranda, porch, deck or balcony is fully open on a minimum of two sides beneath the floor. Allied Air recommends avoiding this location if possible.

\*For clearances not specified in ANSI Z223.1/NFPA 54 or CSA B149.1, clearance will be in accordance with local installation codes and the requirements of the gas supplier and these installation instructions."

**Figure 34. Vent Termination Clearances for Non-Direct Vent Installations**

## VENT TERMINATION CLEARANCES FOR DIRECT VENT INSTALLATIONS IN THE USA AND CANADA



	US Installations <sup>1</sup>	Canadian Installations <sup>2</sup>	
A =	Clearance above grade, veranda, porch, deck or balcony	12 inches (305mm) or 12 in. (305mm) above average snow accumulation.	12 inches (305mm) or 12 in. (305mm) above average snow accumulation.
B =	Clearance to window or door that may be opened	6 inches (152mm) for appliances <10,000 Btuh (3kw), 9 inches (228mm) for appliances > 10,000 Btuh (3kw) and <50,000 Btuh (15kw), 12 inches (305mm) for appliances > 50,000 Btuh (15kw)	6 inches (152mm) for appliances <10,000 Btuh (3kw), 12 inches (305mm) for appliances > 10,000 Btuh (3kw) and <100,000 Btuh (30kw), 36 inches (.9m) for appliances > 100,000 Btuh (30kw)
C =	Clearance to permanently closed window	* 12"	* 12"
D =	Vertical clearance to ventilated soffit located above the terminal within a horizontal distance of 2 feet (610mm) from the center line of the terminal	* Equal to or greater than soffit depth	* Equal to or greater than soffit depth
E =	Clearance to unventilated soffit	* Equal to or greater than soffit depth	* Equal to or greater than soffit depth
F =	Clearance to outside corner	* No minimum to outside corner	* No minimum to outside corner
G =	Clearance to inside corner	*	*
H =	Clearance to each side of center line extended above meter / regulator assembly	3 feet (.9m) within a height 15 feet (4.5m) above the meter / regulator assembly	3 feet (.9m) within a height 15 feet (4.5m) above the meter / regulator assembly
I =	Clearance to service regulator vent outlet	* 3 feet (.9m)	3 feet (.9m)
J =	Clearance to non-mechanical air supply inlet to building or the combustion air inlet to any other appliance	6 inches (152mm) for appliances <10,000 Btuh (3kw), 9 inches (228mm) for appliances > 10,000 Btuh (3kw) and <50,000 Btuh (15kw), 12 inches (305mm) for appliances > 50,000 Btuh (15kw)	6 inches (152mm) for appliances <10,000 Btuh (3kw), 12 inches (305mm) for appliances > 10,000 Btuh (3kw) and <100,000 Btuh (30kw), 36 inches (.9m) for appliances > 100,000 Btuh (30kw)
K =	Clearance to mechanical air supply inlet	3 feet (.9m) above if within 10 feet (3m) horizontally	6 feet (1.8m)
L =	Clearance above paved sidewalk or paved driveway located on public property	* 7 feet (2.1m)	7 feet (2.1m)†
M =	Clearance under veranda, porch, deck or balcony	*12 inches (305mm)‡	12 inches (305mm)‡

<sup>1</sup> In accordance with the current ANSI Z223.1/NFPA 54 Natural Fuel Gas Code

<sup>2</sup> In accordance with the current CSA B149.1, Natural Gas and Propane Installation Code

† A vent shall not terminate directly above a sidewalk or paved driveway that is located between two single family dwellings and serves both dwellings.

‡ Permitted only if veranda, porch, deck or balcony is fully open on a minimum of two sides beneath the floor. Allied Air recommends avoiding this location if possible.

\*For clearances not specified in ANSI Z223.1/NFPA 54 or CSA B149.1, clearance will be in accordance with local installation codes and the requirements of the gas supplier and these installation instructions."

**Figure 35. Vent Termination Clearances for Direct Vent Installations**

In both Non-Direct Vent and Direct Vent applications, the vent termination is limited by local building codes. In the absence of local codes, refer to the current National Fuel Gas Code ANSI Z223-1/NFPA 54 in U.S.A., and current CSA-B149 Natural Gas and Propane Installation Codes in Canada for details.

Position termination according to location given in Figure 34 or Figure 35. In addition, position termination so it is free from any obstructions and 12" above the average snow accumulation.

At vent termination, care must be taken to maintain protective coatings over building materials (prolonged exposure to exhaust condensate can destroy protective coatings). It is recommended that the exhaust outlet not be located within 6 feet (1.8 m) of a condensing unit because the condensate can damage the painted coating.

**NOTE:** See Table 7 for maximum allowed exhaust pipe length without insulation in unconditioned space during winter design temperature is below 32° F (0° C). If required, exhaust piping should be insulated with 1/2" (13 mm), Armaflex or equivalent. In extremely cold climate areas with temperature below 20° F (6.7° C) it is recommended that, 3/4" (19 mm) Armaflex or equivalent be used. Insulation on outside runs of exhaust pipe may be painted or wrapped to protect insulation from deterioration in accordance with the insulation manufacturers recommendation. Exhaust pipe insulation may not be necessary in some specific applications.

**NOTE:** During extremely cold temperatures, below approximately 20° F (6.7° C), units with long runs of vent pipe through unconditioned space, even when insulated, may form ice in the exhaust termination that prevents the unit from operating properly. Longer run times of at least 5 minutes will alleviate most icing problems. Also, a heating cable may be installed on exhaust piping and termination to prevent freeze-ups. Heating cable installation kits are available. See unit specification sheets for part numbers.

**⚠ IMPORTANT**

Do not use screens or perforated metal in exhaust terminations. Doing so will cause freeze-ups and may block the terminations.

**⚠ IMPORTANT**

**For Canadian Installations Only:**

In accordance to CSA International B149 installation codes, the minimum allowed distance between the combustion air intake inlet and the exhaust outlet of other appliances shall not be less than 12 inches (305 mm).

## Details of Intake and Exhaust Piping Terminations for Direct Vent Installations

**NOTE:** In Direct Vent installations, combustion air is taken from outdoors and flue gases are discharged to outdoors.

**NOTE:** Flue gas may be slightly acidic and may adversely affect some building materials. If any vent termination is used and the flue gases may impinge on the building material, a corrosion-resistant shield (minimum 24 inches square) must be used to protect the wall surface. If the optional tee is used, the protective shield is required. The shield should be constructed using wood, plastic, sheet metal or other suitable material. All seams, joints, cracks, etc. in the affected area should be sealed using an appropriate sealant. See Figure 44.

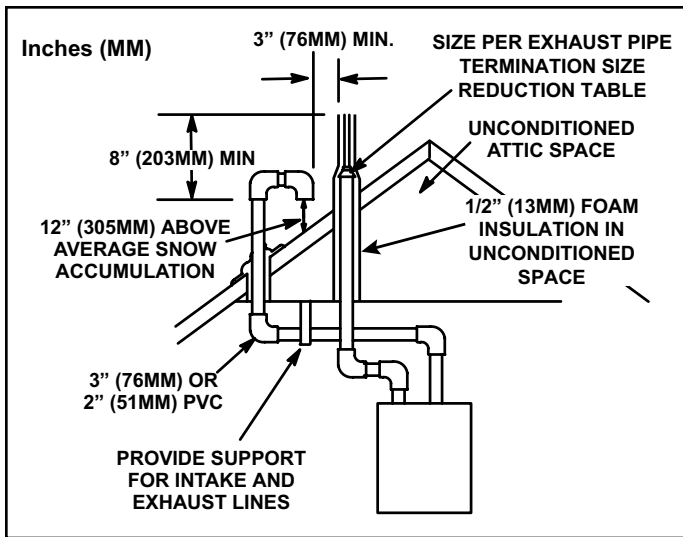
Intake and exhaust pipes may be routed either horizontally through and outside wall or vertically through the roof. In attic or closet installations, vertical termination through the roof is preferred. Figure 36 through Figure 43 show typical terminations.

1. Intake and exhaust terminations are not required to be in the same pressure zone. You may exit the intake on one side of the structure and the exhaust on another side (Figure 37). You may exit the exhaust out the roof and the intake out the side of the structure (Figure 38).
2. Intake and exhaust pipes should be placed as close together as possible at termination end (refer to illustrations). Minimum separation is 3" (76 mm) on roof terminations and 6" (152 mm) on sidewall terminations.
3. On roof terminations, the intake piping should terminate straight down using two 90° elbows (see Figure 36).
4. Exhaust piping must terminate straight out or up as shown. A reducer may be required on the exhaust piping at the point where it exits the structure to improve the velocity of exhaust away from the intake piping. See Table 8.

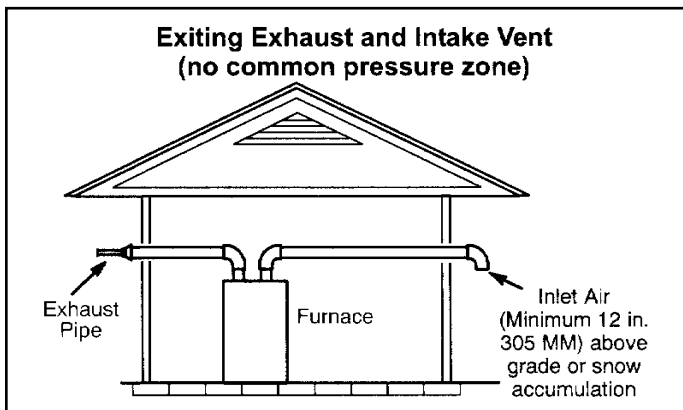
Capacity	Exhaust Pipe Size	Termination Pipe Size
*045 and 070	2" (51 mm), 2-1/2" (64 mm), 3" (76 mm)	1-1/2" (38 mm)
*090		2" (51 mm)
110		
135	3" (76 mm)	
* -045, -070, and -090 units with the flush mount termination must use the 1 1/2" accelerator supplied with the kit.		

**Table 8. Exhaust Pipe Termination Size Reduction**

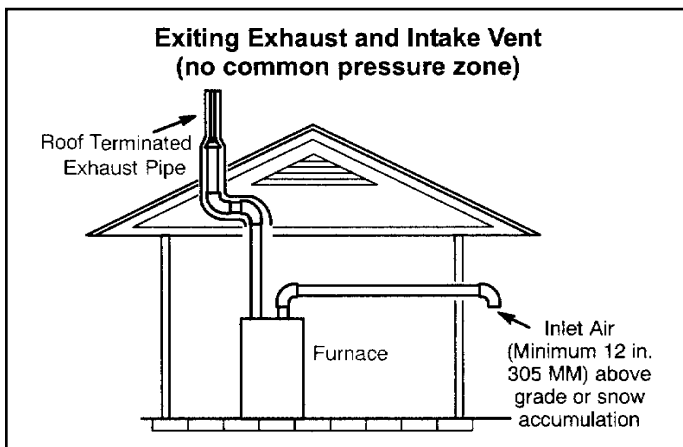
**NOTE:** Care must be taken to avoid recirculation of exhaust back into intake pipe.



**Figure 36. Direct Vent Roof Termination Kit 15F75 or 44J41**



**Figure 37.**

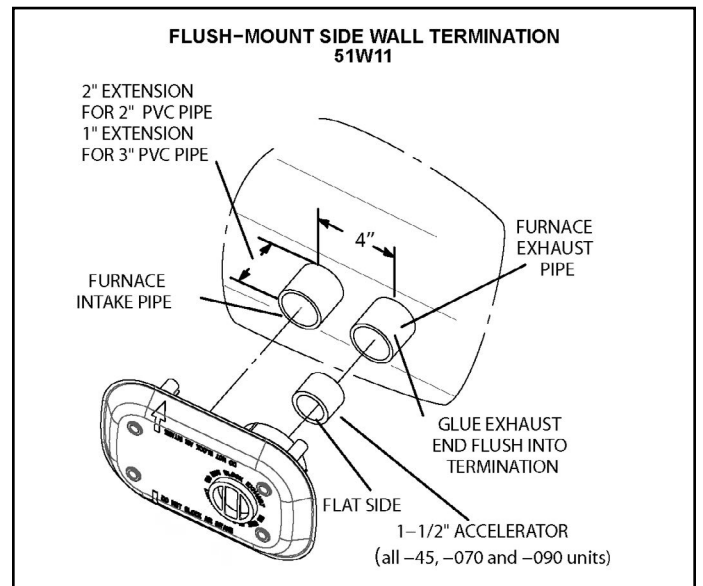


**Figure 38.**

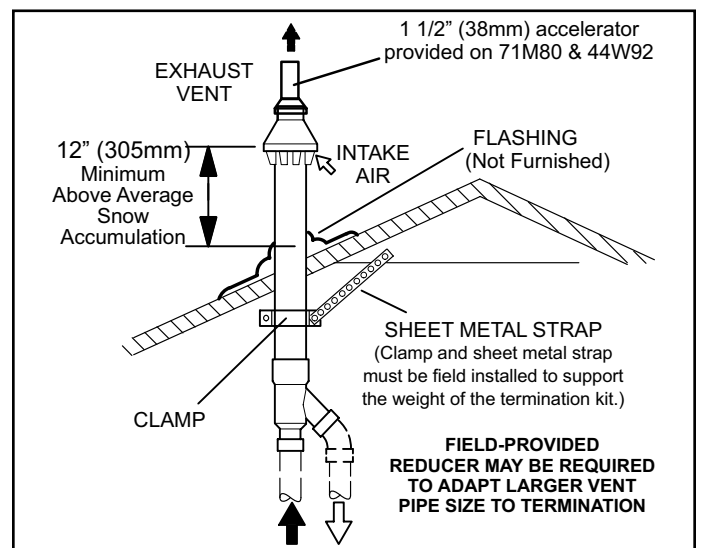
5. On field supplied terminations for sidewall exit, exhaust piping may extend a maximum of 12 inches (305 mm) for 2" PVC and 20 inches (508 mm) for 3" (76 mm) PVC beyond the outside wall. Intake piping should be as short as possible. See Figure 44.
6. On field supplied terminations, a minimum distance between the end of the exhaust pipe and the end of

the intake pipe without a termination elbow is 8" and a minimum distance of 6" with a termination elbow. See Figure 44.

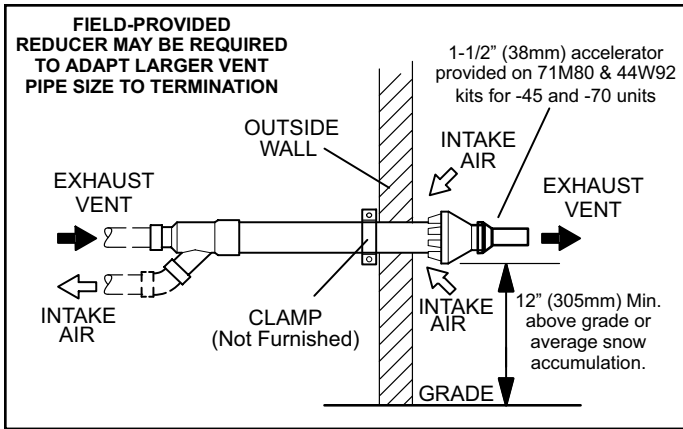
7. If intake and exhaust piping must be run up a side wall to position above snow accumulation or other obstructions, piping must be supported every 24" (610 mm) as shown in Figure 44. Exhaust and intake piping that is run up a wall is considered to be in an unconditioned space, so piping should be sized according to Table 7. The intake piping may be equipped with a 90° elbow turndown. Using turndown will add 5 feet (1.5 m) to the equivalent length of the pipe.
8. A multiple furnace installation may use a group of up to four terminations assembled together horizontally, as shown in Figure 42.



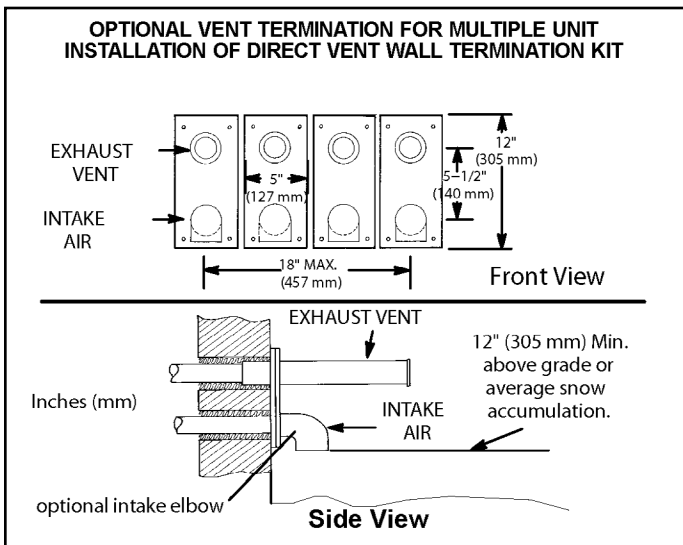
**Figure 39.**



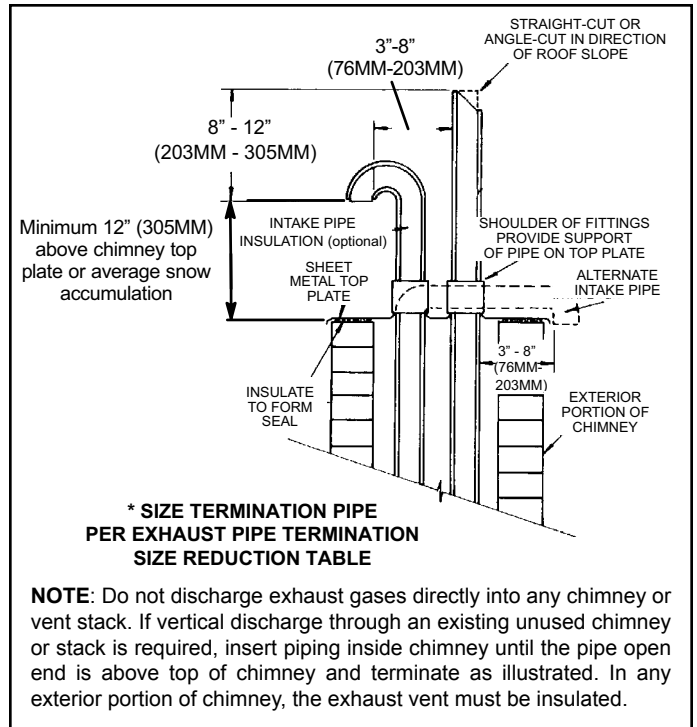
**Figure 40. Direct Vent Concentric Rooftop Termination  
71M80, 69M29 or 60L46 (US)  
44W92 or 44W93 (Canada)**



**Figure 41. Direct Vent Concentric Wall Termination  
71M80, 69M29 or 60L46 (US)  
44W92 or 44W93 (Canada)**



**Figure 42.**

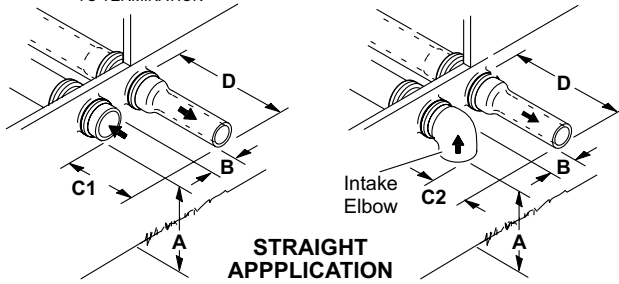


**Figure 43. Direct Vent Application Using Existing Chimney**

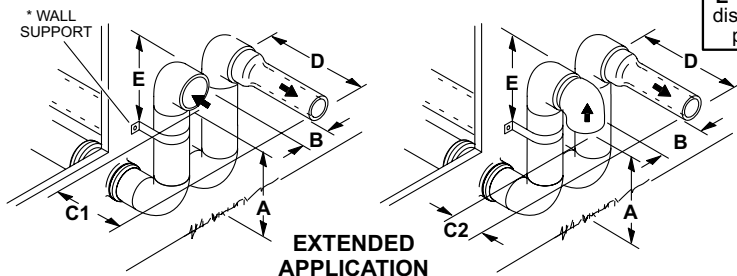


## FIELD FABRICATED WALL TERMINATION

NOTE - FIELD-PROVIDED REDUCER MAY BE REQUIRED TO ADAPT LARGER VENT PIPE SIZE TO TERMINATION



**STRAIGHT APPLICATION**

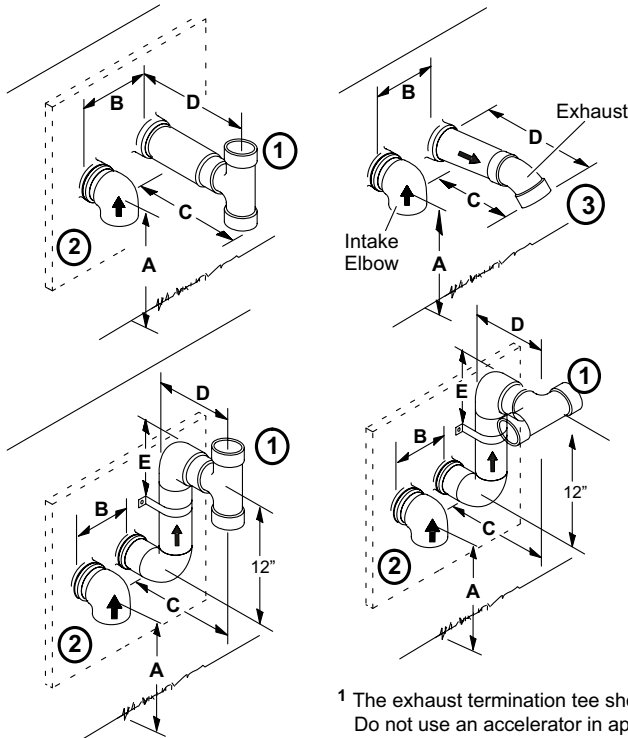


**EXTENDED APPLICATION**

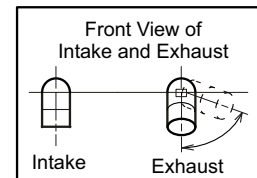
	2" (51mm) Vent Pipe	3" (76mm) Vent Pipe
<b>A</b> - Minimum clearance above grade or average snow accumulation	12" (305 mm)	12" (305 mm)
<b>B</b> - Maximum horizontal separation between intake and exhaust	6" (152 mm)	6" (152 mm)
<b>C1</b> -Minimum from end of exhaust to inlet of intake	8" (203 mm)	8" (203 mm)
<b>C2</b> -Minimum from end of exhaust to inlet of intake	6" (152 mm)	6" (152 mm)
<b>D</b> - Maximum exhaust pipe length	12" (305 mm)	20" (508 mm)
<b>E</b> - Maximum wall support distance from top of each pipe (intake/exhaust)	6" (152 mm)	6" (152 mm)

\* Use wall support every 24" (610 mm). Use two wall supports if extension is greater than 24" (610 mm) but less than 48" (1219 mm).  
NOTE - One wall support must be within 6" (152 mm) from top of each pipe (intake and exhaust) to prevent movement in any direction.

## ALTERNATE TERMINATIONS (TEE & FORTY-FIVE DEGREE ELBOWS ONLY)



	2" (51MM) Vent Pipe	3" (76MM) Vent Pipe
<b>A</b> - Clearance above grade or average snow accumulation	12" (305 mm) Min.	12" (305 mm) Min.
<b>B</b> - Horizontal separation between intake and exhaust	6" (152 mm) Min. 24" (610 mm) Max.	6" (152 mm) Min. 24" (610 mm) Max.
<b>C</b> - Minimum from end of exhaust to inlet of intake	9" (227 mm) Min.	9" (227 mm) Min.
<b>D</b> - Exhaust pipe length	12" (305 mm) Min. 16" (405 mm) Max.	12" (305 mm) Min. 20" (508 mm) Max.
<b>E</b> - Wall support distance from top of each pipe (intake/exhaust)	6" (152 mm) Max.	6" (152 mm) Max.



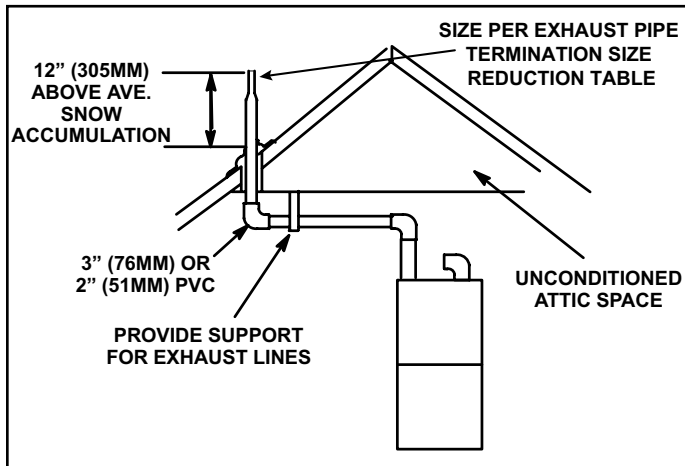
- <sup>1</sup> The exhaust termination tee should be connected to the 2" or 3" PVC flue pipe as shown in the illustration. Do not use an accelerator in applications that include an exhaust termination tee. The accelerator is not required.
- <sup>2</sup> As required. Flue gas may be acidic and may adversely affect some building materials. If a side wall vent termination is used and flue gases will impinge on the building materials, a corrosion-resistant shield (24 inches square) should be used to protect the wall surface. If optional tee is used, the protective shield is recommended. The shield should be constructed using wood, sheet metal or other suitable material. All seams, joints, cracks, etc. in affected area, should be sealed using an appropriate sealant.
- <sup>3</sup> Exhaust pipe 45° elbow can be rotated to the side away from the combustion air inlet to direct exhaust away from adjacent property. The exhaust must never be directed toward the combustion air inlet.

**Figure 44.**

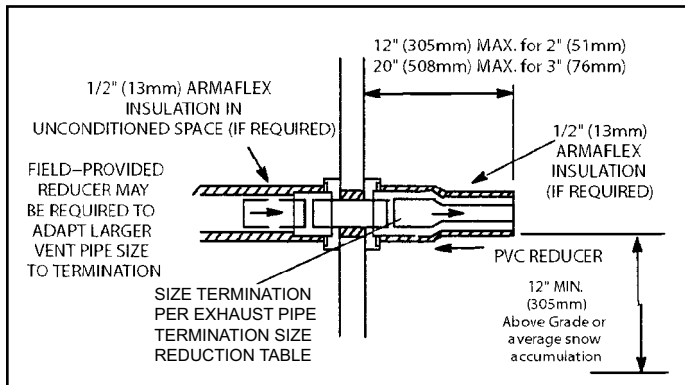
## Details of Exhaust Piping Terminations for Non-Direct Vent Applications

Exhaust pipes may be routed either horizontally through an outside wall or vertically through the roof. In attic or closet installations, vertical termination through the roof is preferred. Figure 45 through Figure 48 show typical terminations.

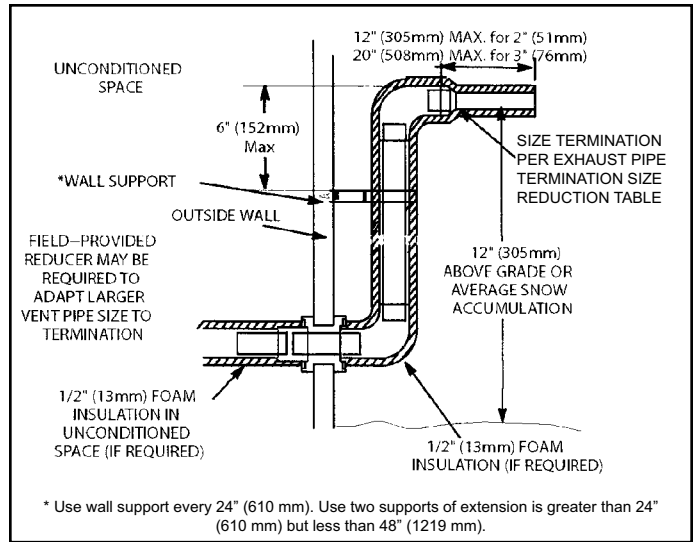
1. Exhaust piping must terminate straight out or up as shown. The termination pipe must be sized as listed in Table 8. The specified pipe size ensures proper velocity required to move the exhaust gases away from the building.
2. On field supplied terminations for side wall exit, exhaust piping may extend a maximum of 12 inches (305 mm) for 2" PVC and 20" (508 mm) for 3" PVC beyond the outside wall. See Figure 46.
3. If exhaust piping must be run up a sidewall to position above snow accumulation or other obstructions, piping must be supported every 24" (610 mm) as shown in Figure 47. When exhaust piping must be run up an outside wall, any reduction in exhaust pipe size must be done after the final elbow.



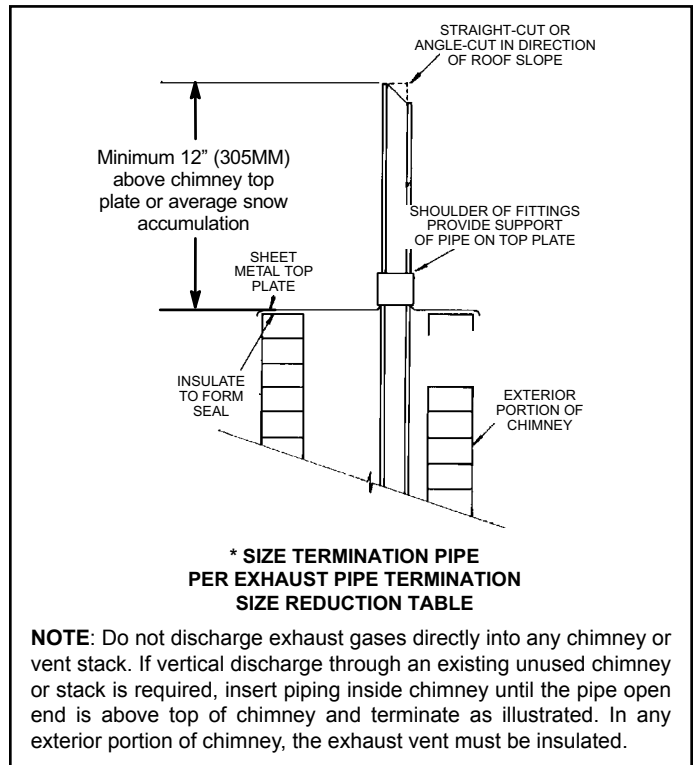
**Figure 45. Non-Direct Vent Roof Termination Kit (15F75 or 44J41)**



**Figure 46. Non-Direct Vent Field Supplied Wall Termination**



**Figure 47. Non-Direct Vent Field Supplied Wall Termination Extermination**



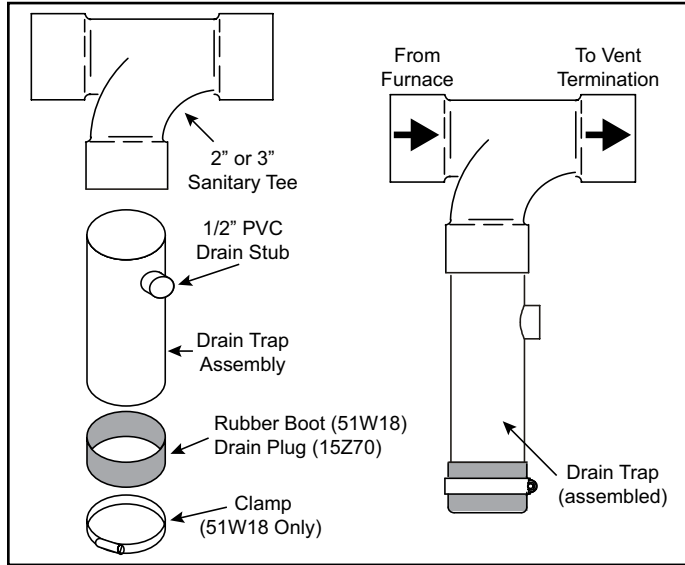
**Figure 48. Non-Direct Vent Application Using Existing Chimney**

**NOTE:** Do not discharge exhaust gases directly into any chimney or vent stack. If vertical discharge through an existing unused chimney or stack is required, insert piping inside chimney until the pipe open end is above top of chimney and terminate as illustrated. In any exterior portion of chimney, the exhaust vent must be insulated.

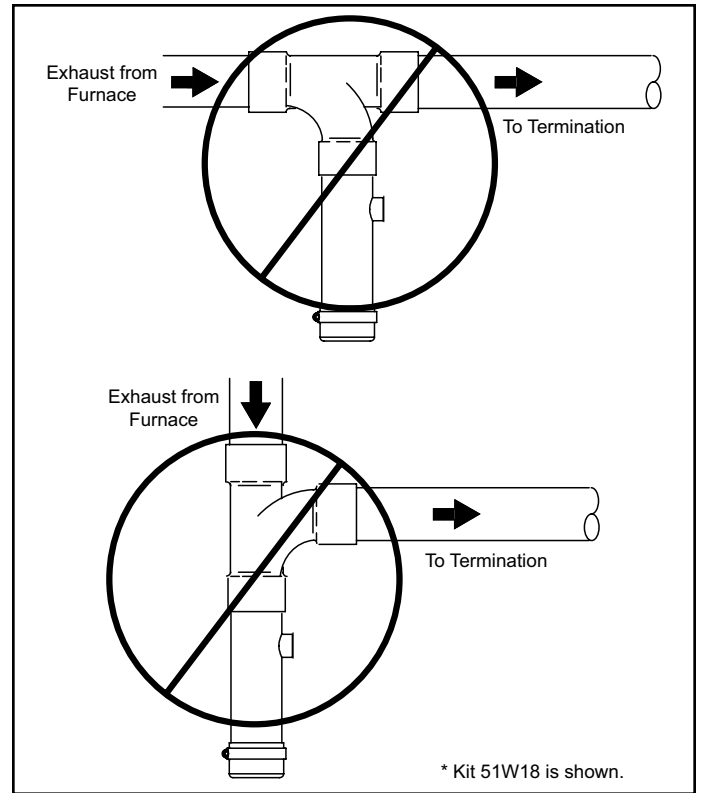
**Exhaust through Crawl Space Vent Option**

All 33" condensing gas furnaces (92%+) are now approved to be vented down through a crawl space. Ensure a vent pipe drain kit, 51W18 (USA) or 15Z70 (Canada), is used as directed through the floor joists and into the crawl space. See the following figures.

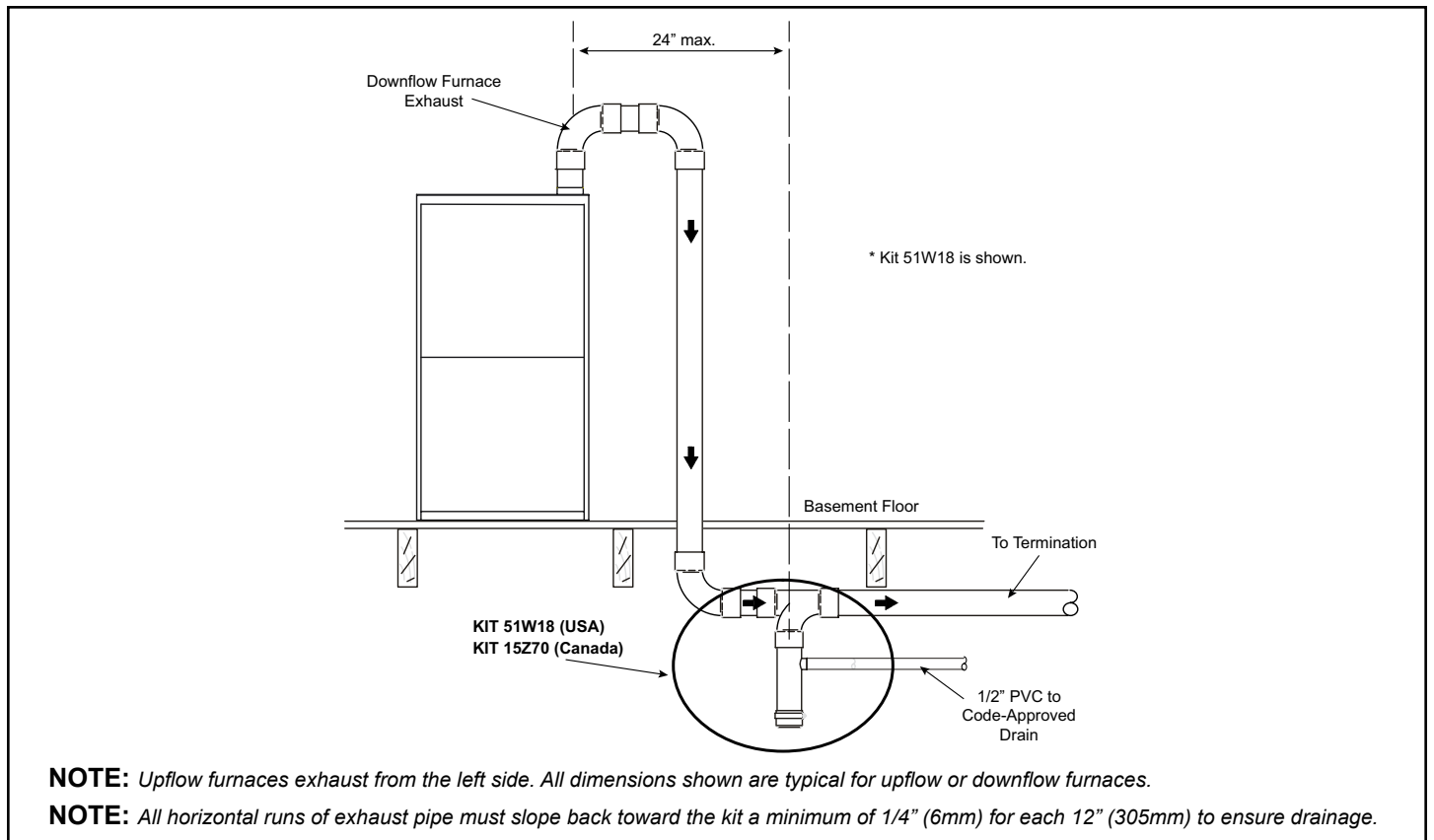
Consult the vent tables for vent lengths and approved materials.



**Figure 49. Kit 51W18 (USA) / 15Z70 (Canada) Parts Identification and Assembly**



**Figure 50. Crawl Space Vent Pipe Drain Trap Assembled Incorrectly**



**NOTE:** Upflow furnaces exhaust from the left side. All dimensions shown are typical for upflow or downflow furnaces.

**NOTE:** All horizontal runs of exhaust pipe must slope back toward the kit a minimum of 1/4" (6mm) for each 12" (305mm) to ensure drainage.

**Figure 51. Upflow or Downflow Furnace with Exhaust through Crawl Space**

## Condensate Piping

This unit is designed for either right or left side exit of condensate piping in upflow applications. In horizontal applications, the condensate trap must extend below the unit. An 8" service clearance is required for the condensate trap.

Refer to Figure 52 and Figure 53 for condensate trap locations. Figure 58 shows trap assembly using 1/2" PVC or 3/4" PVC.

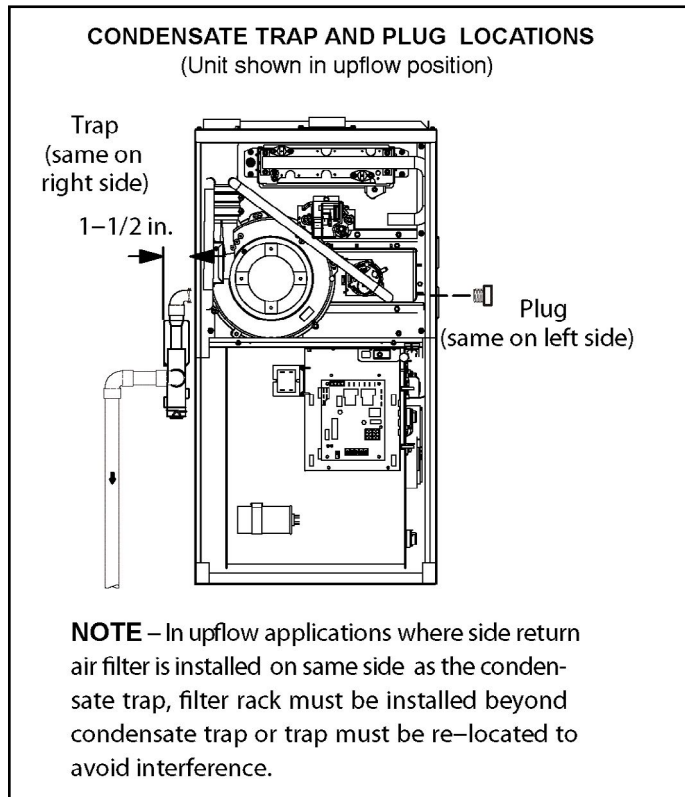


Figure 52.

**NOTE:** If necessary the condensate trap may be installed up to 5' away from the furnace. Use PVC pipe to connect trap to furnace condensate outlet. Piping from furnace must slope down a minimum of 1/4" per ft. toward trap.

1. Determine which side condensate piping will exit the unit, location of trap, field-provided fittings and length of PVC pipe required to reach available drain.
2. Use a large flat head screw driver or an 1/2" drive socket extension and remove plug (Figure 52) from the cold end header box at the appropriate location on the side of the unit. Install provided 3/4 NPT street elbow fitting into cold end header box. Use Teflon tape or appropriate pipe dope.
3. Install the cap over the clean out opening at the base of the trap. Secure with clamp. See Figure 58.

4. Install drain trap using appropriate PVC fittings, glue all joints. Glue the provided drain trap as shown in Figure 58. Route the condensate line to an open drain. Condensate line must maintain a 1/4" downward slope from the furnace to the drain.

### CAUTION

Do not use copper tubing or existing copper condensate lines for drain line.

5. Install field provided vent on trap assembly as shown in Figure 53 through Figure 59. Trap must extend at least 1" above the furnace condensate drain connection in upflow applications and 4-1/2" above the bottom of the cabinet in horizontal applications.
6. If unit will be started immediately upon completion of installation, prime trap per procedure outlined in Unit Start-Up section.

Condensate line must slope downward away from the trap to drain. If drain level is above condensate trap, condensate pump must be used. Condensate drain line should be routed within the conditioned space to avoid freezing of condensate and blockage of drain line. If this is not possible, a heat cable kit may be used on the condensate trap and line. Heating cable kit is available in various lengths; 6 ft. (1.8 m) - kit no. 26K68; 24 ft. (7.3 m) - kit no. 26K69; and 50 ft. (15.2 m) - kit no. 26K70.

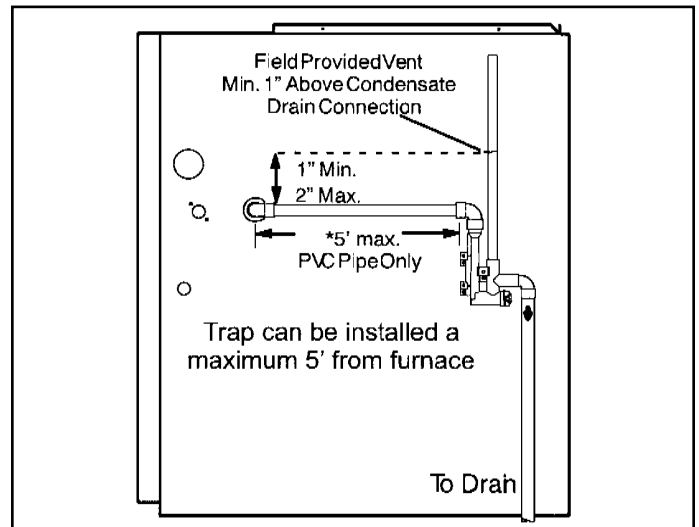
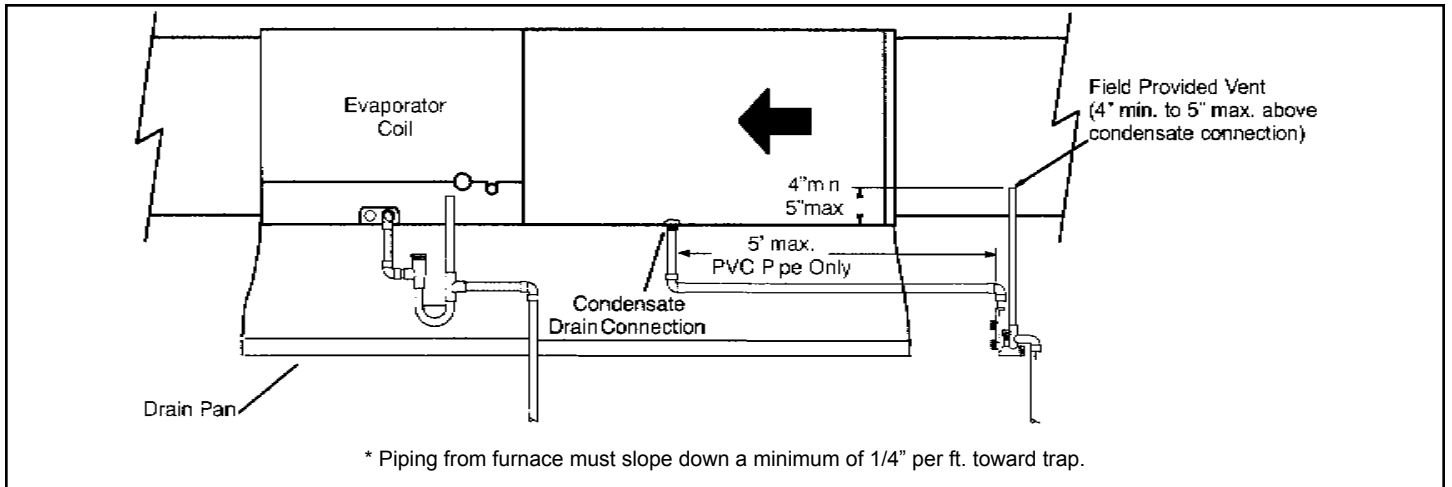


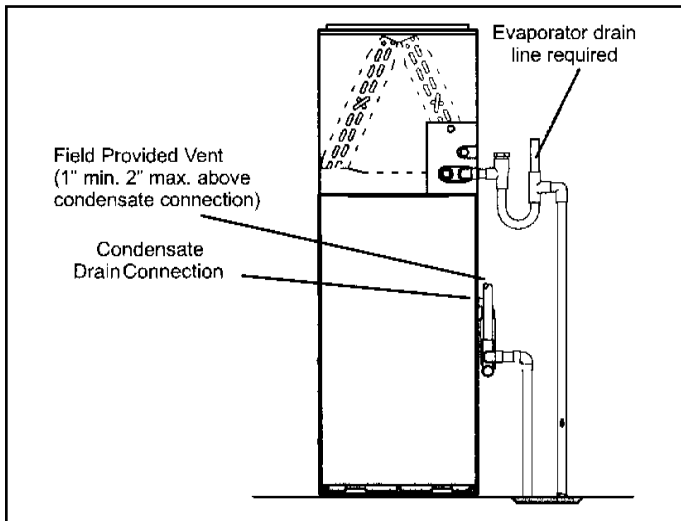
Figure 53. Condensate Trap Locations (Unit shown in upflow position with remote trap)

### IMPORTANT

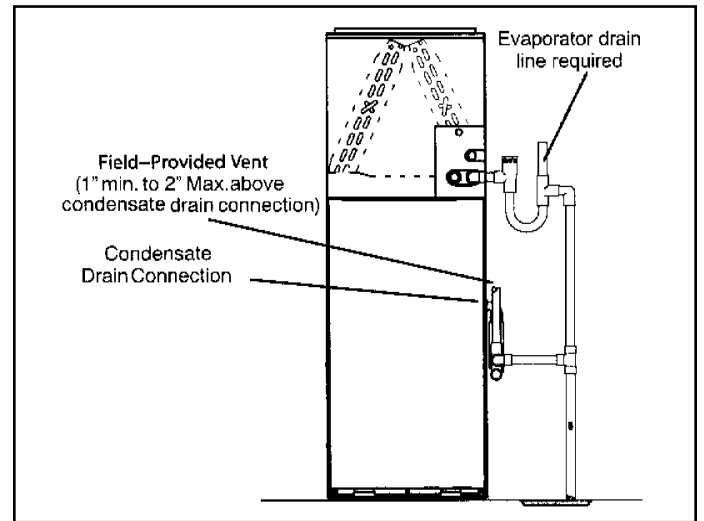
When combining the furnace and evaporator coil drains together, the A/C condensate drain outlet must be vented to relieve pressure in order for the furnace pressure switch to operate properly.



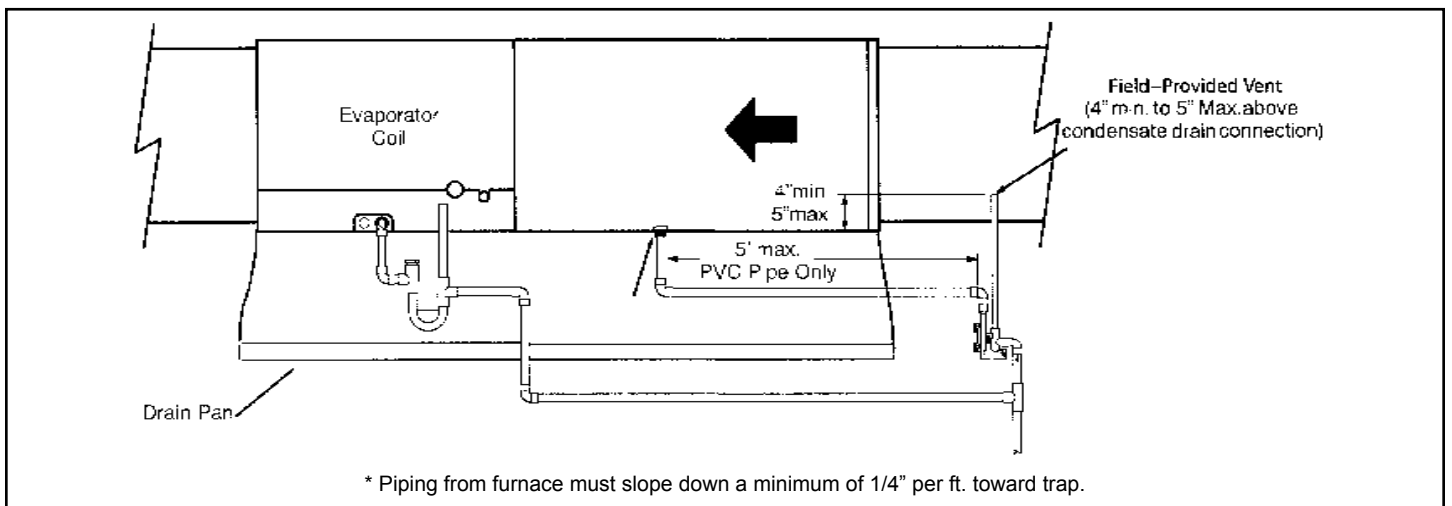
**Figure 54. Evaporator Coil Using a Separate Drain  
(Unit shown in horizontal right-hand discharge position)**



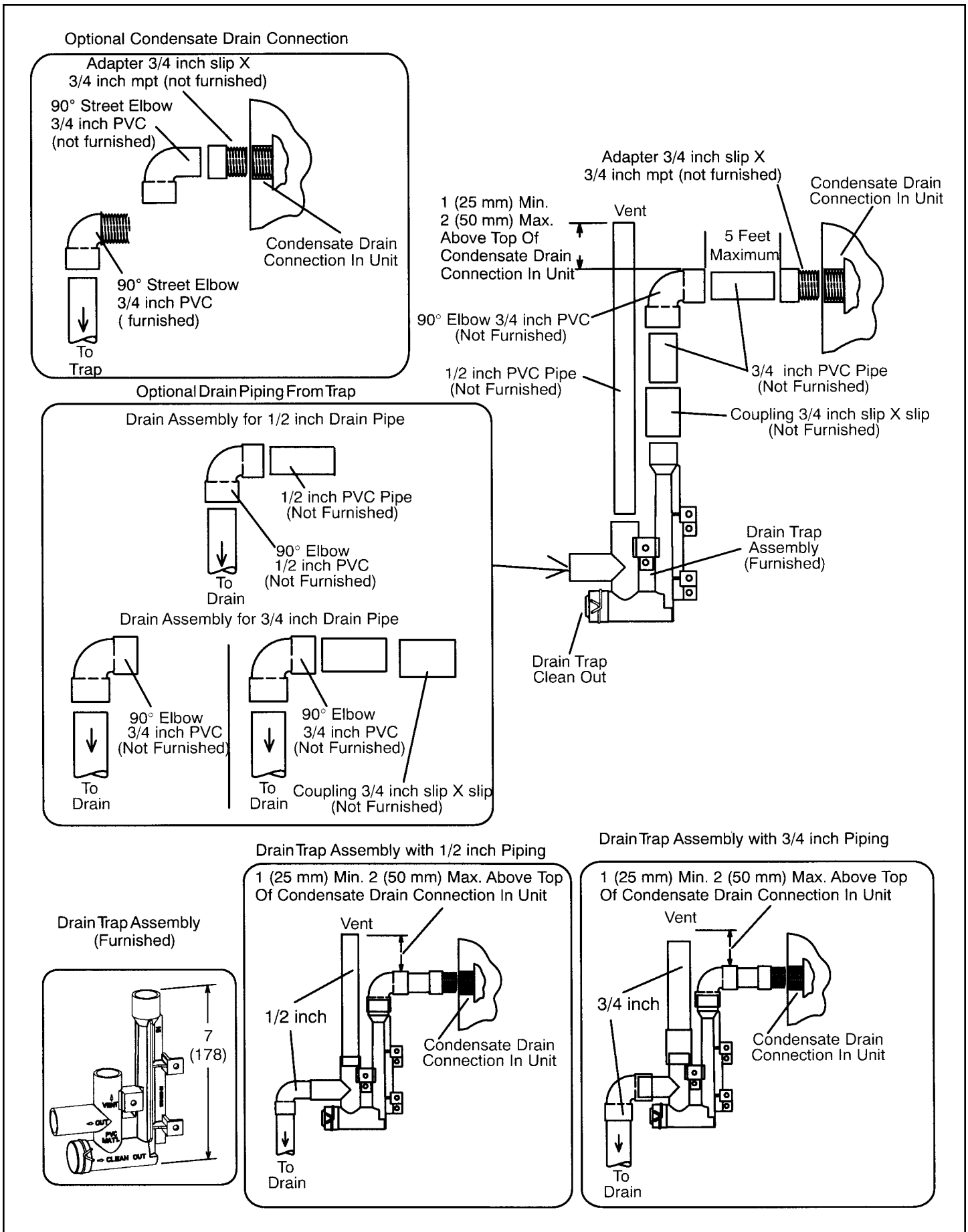
**Figure 55. Evaporator Coil Using a Separate Drain**



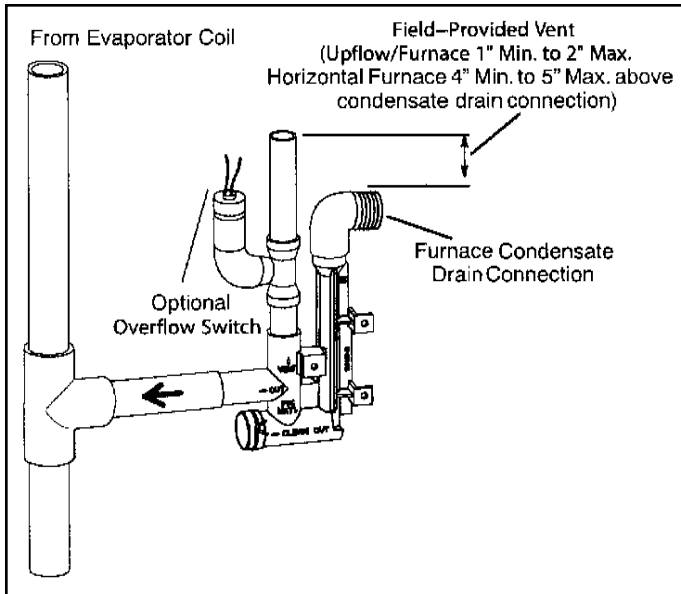
**Figure 56. Evaporator Coil Using a Common Drain**



**Figure 57. Evaporator Coil Using a Common Drain  
(Unit shown in horizontal left-hand discharge position)**



**Figure 58. Trap / Drain Assembly Using 1/2" PVC or 3/4" PVC**



**Figure 59. Condensate Trap with Optional Overflow Switch**

## Gas Piping

### **CAUTION**

If a flexible gas connector is required or allowed by the authority that has jurisdiction, black iron pipe shall be installed at the gas valve and extend outside the furnace cabinet. The flexible connector can then be added between the black iron pipe and the gas supply line.

### **WARNING**

Do not exceed 600 in.-lbs. (50 ft.-lbs.) torque when attaching the gas piping to the gas valve.

1. Gas piping may be routed into the unit through either the left or right hand side. Supply piping enters into the gas valve from the side of the valve as shown in Figure 61 and Figure 62. Move Bellows grommet to side which gas line enters. Ensure opposite gas line hole is plugged with supplied plug.

### **IMPORTANT**

A low inlet pressure switch in LP/propane applications is recommended.

2. When connecting gas supply, factors such as length of run, number of fittings and furnace rating must be considered to avoid excessive pressure drop. Table 9 list recommended pipe sizes for typical applications.

**NOTE:** Use two wrenches when connecting gas piping to avoid transferring to the manifold.

3. Gas piping must not run in or through air ducts, clothes chutes, chimneys or gas vents, dumb waiters or elevator shafts. Center gas line through piping hole. Gas line should not touch side of unit. See Figure 61 and Figure 62.
4. Piping should be sloped 1/4 " per 15 feet (6 mm per 5.6 m) upward toward the gas meter from the furnace. The piping must be supported at proper intervals, every 8 to 10 feet (2.44 to 3.05 m), using suitable hangers or straps. Install a drip leg in vertical pipe runs to serve as a trap for sediment or condensate.
5. A 1/8" N.P.T. plugged tap or pressure post is located on the gas valve to facilitate test gauge connection. See Figure 60.
6. In some localities, codes may require installation of a manual main shut-off valve and union (furnished by installer) external to the unit. Union must be of the ground joint type.

### **IMPORTANT**

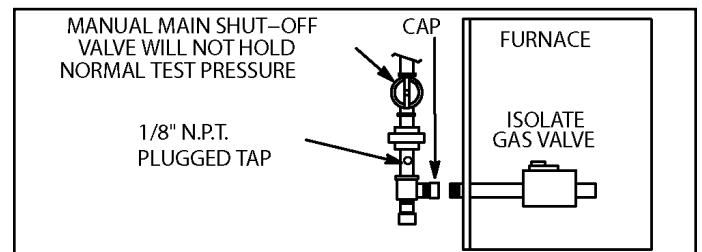
Compounds used on threaded joints of gas piping must be resistant to the actions of liquified petroleum gases.

### Leak Check

After gas piping is completed, carefully check all piping connections (factory and field installed) for gas leaks. Use a leak detecting solution or other preferred means.

Never use an open flame to test for gas leaks. Check all connections using a commercially available soap solution made specifically for leak detection.

The furnace must be isolated from the gas supply system by closing its individual manual shut-off valve during any pressure testing of the gas supply system at pressures more than or equal to 1/2 psig (3.48 kPa, 14 inches w.c.).



**Figure 60.**

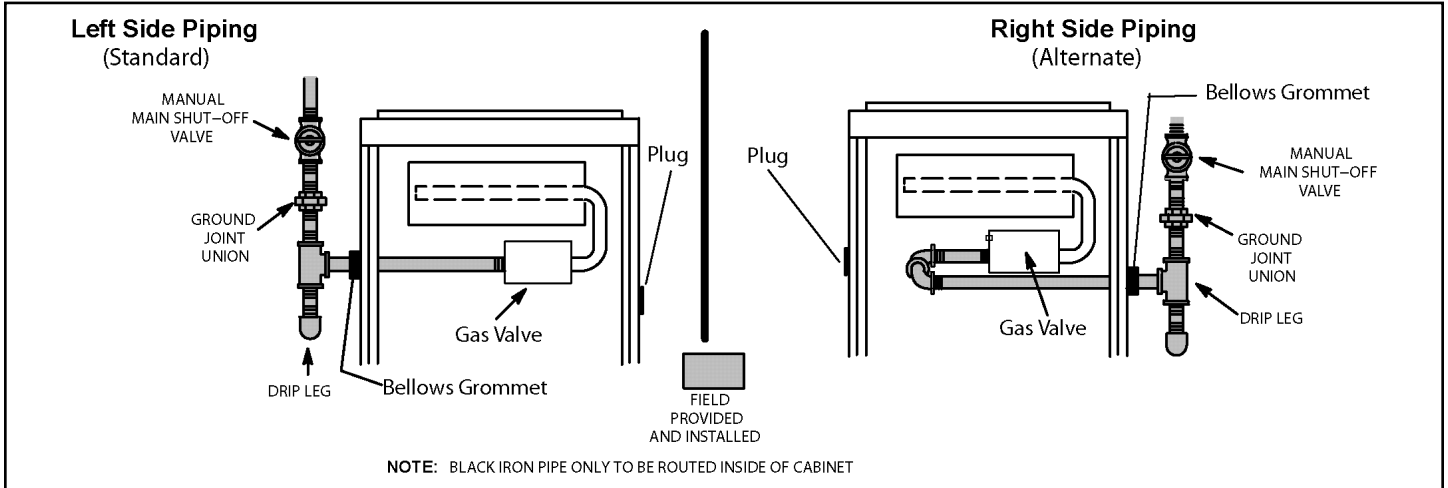
## ⚠ IMPORTANT

When testing pressure of gas lines, gas valve must be disconnected and isolated. See Figure 60. Gas valves can be damaged if subjected to pressures greater than 1/2 psig (3.48 kPa).

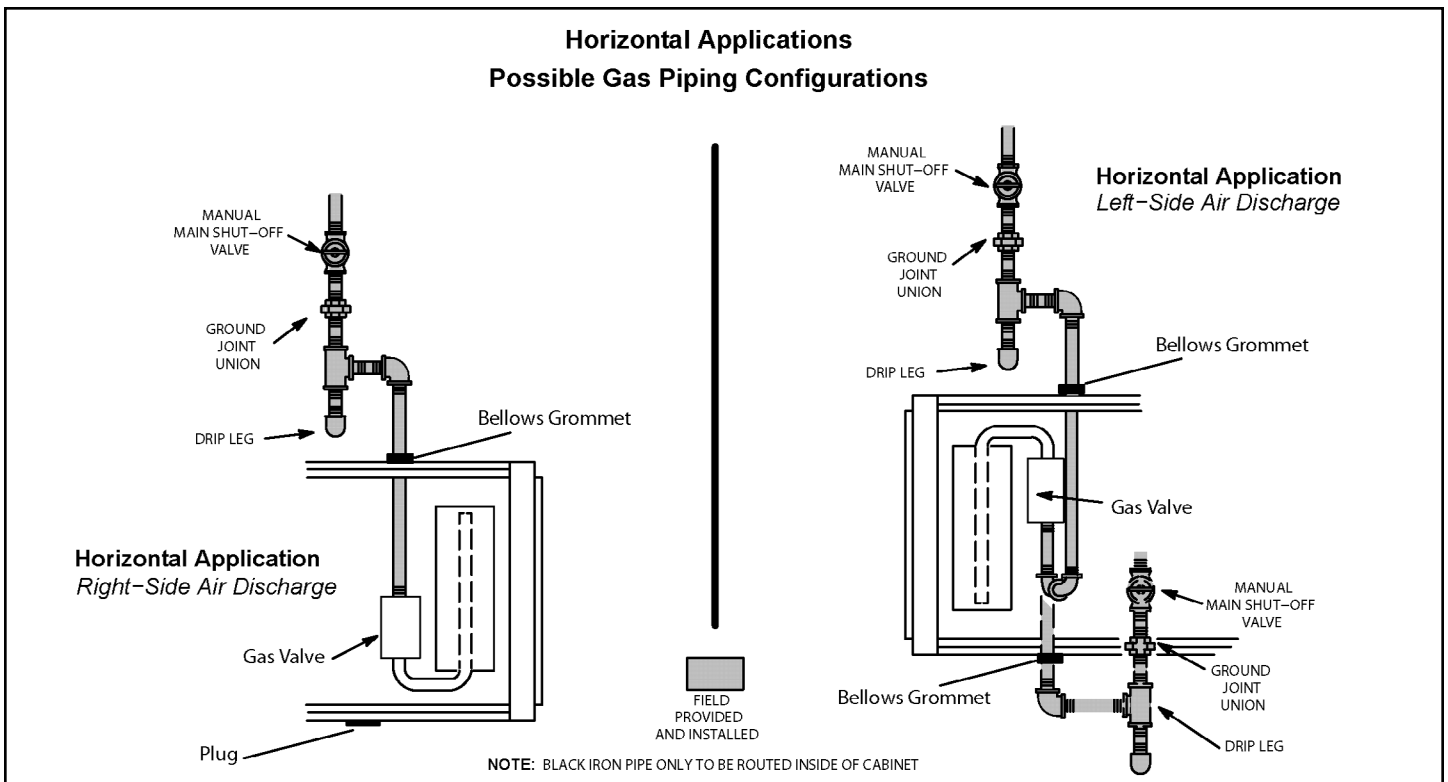
## ⚠ WARNING

### FIRE OR EXPLOSION HAZARD

Failure to follow the safety warnings exactly could result in serious injury, death, or property damage. Never use an open flame to test for gas leaks. Check all connections using a commercially available soap solution made specifically for leak detection. Some soaps used for leak detection are corrosive to certain metals. Carefully rinse piping thoroughly after leak test has been completed.



**Figure 61. Gas Piping Upflow Applications**



**Figure 62. Gas Piping Horizontal Applications**



**Gas Pipe Capacity - FT<sup>3</sup>/HR (kL/HR)**

Nominal Iron Pipe Size - inches (mm)	Internal Diameter - inches (mm)	Length of Pipe - feet (m)									
		10 (3.048)	20 (6.096)	30 (9.144)	40 (12.192)	50 (15.240)	60 (18.288)	70 (21.336)	80 (24.384)	90 (27.432)	100 (30.480)
1/2 (12.7)	.622 (17.799)	175 (4.96)	120 (3.40)	97 (2.75)	82 (2.32)	73 (2.07)	66 (1.87)	61 (1.73)	57 (1.61)	53 (1.50)	50 (1.42)
3/4 (19.05)	.824 (20.930)	360 (10.19)	250 (7.08)	200 (5.66)	170 (4.81)	151 (4.28)	138 (3.91)	125 (3.54)	118 (3.34)	110 (3.11)	103 (2.92)
1 (25.4)	1.049 (26.645)	680 (19.25)	465 (13.17)	375 (10.62)	320 (9.06)	285 (8.07)	260 (7.36)	240 (6.80)	220 (6.23)	205 (5.80)	195 (5.52)
1-1/4 (31.75)	1.380 (35.052)	1400 (39.64)	950 (26.90)	770 (21.80)	660 (18.69)	580 (16.42)	530 (15.01)	490 (13.87)	460 (13.03)	430 (12.18)	400 (11.33)
1-1/2 (38.1)	1.610 (40.894)	2100 (59.46)	460 (41.34)	1180 (33.41)	990 (28.03)	900 (25.48)	810 (22.94)	750 (21.24)	690 (19.54)	650 (18.41)	620 (17.56)
2 (50.8)	2.067 (52.502)	3950 (111.85)	2750 (77.87)	2200 (62.30)	1900 (53.80)	1680 (47.57)	1520 (43.04)	1400 (39.64)	1300 (36.81)	1220 (34.55)	1150 (32.56)
2-1/2 (63.5)	2.469 (67.713)	6300 (178.39)	4350 (123.17)	3520 (99.67)	3000 (84.95)	2650 (75.04)	2400 (67.96)	2250 (63.71)	2050 (58.05)	1950 (55.22)	1850 (52.38)
3 (76.2)	3.068 (77.927)	11000 (311.48)	7700 (218.03)	6250 (176.98)	5300 (150.07)	4750 (134.50)	4300 (121.76)	3900 (110.43)	3700 (104.77)	3450 (97.69)	3250 (92.03)
4 (101.6)	4.026 (102.260)	23000 (651.27)	15800 (447.39)	12800 (362.44)	10900 (308.64)	9700 (274.67)	9700 (274.67)	8100 (229.36)	7500 (212.37)	7200 (203.88)	6700 (189.72)
<b>NOTE:</b> Capacity given in cubic feet of gas per hour (kilo liters of gas per hour) and based on 0.60 specific gravity gas.											

**Table 9.**

## Electrical

### ELECTROSTATIC DISCHARGE (ESD)

#### Precautions and Procedures

#### **⚠ CAUTION**

Electrostatic discharge can affect electronic components. Take precautions during furnace installation and service to protect the furnace's electronic controls. Precautions will help to avoid control exposure to electrostatic discharge by putting the furnace, the control and the technician at the same electrostatic potential. Neutralize electrostatic charge by touching hand and all tools on an unpainted unit surface, such as the gas valve or blower deck, before performing any service procedure.

#### INTERIOR MAKE-UP BOX INSTALLATION

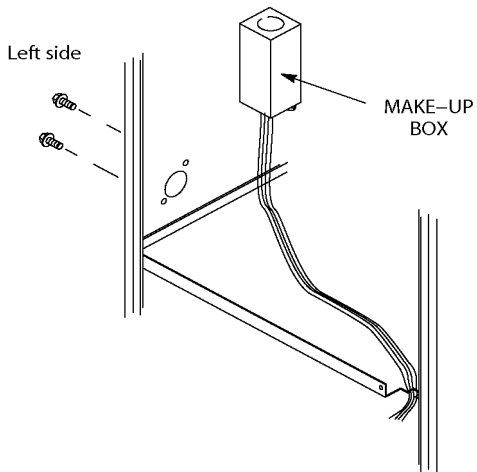


Figure 63.

#### INTERIOR MAKE-UP BOX INSTALLATION

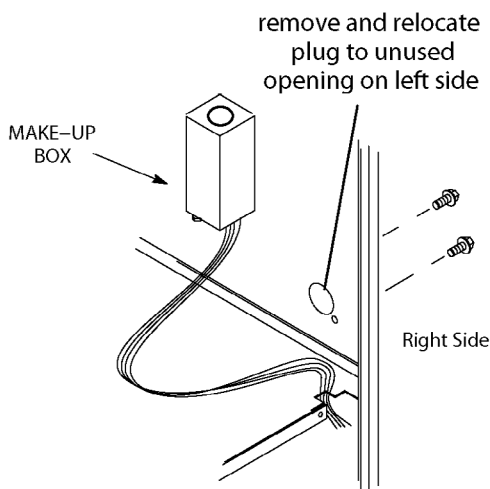


Figure 64.

The unit is equipped with a field makeup box. The makeup box may be moved to the right side of the furnace to facilitate installation. Seal unused openings on left side with plugs removed from right side. Secure the excess wire to the existing harness to protect it from damage.

Refer to Figure 66 for field wiring and Figure 67 for schematic wiring diagram and troubleshooting.

The power supply wiring must meet Class I restrictions. Protected by either a fuse or circuit breaker, select circuit protection and wire size according to unit nameplate.

**NOTE:** Unit nameplate states maximum current draw. Maximum Over-Current Protection allowed is 15 AMP.

Holes are on both sides of the furnace cabinet to facilitate wiring.

Install a separate (properly sized) disconnect switch near the furnace so that power can be turned off for servicing.

Before connecting the thermostat check to make sure the wires will be long enough for servicing at a later date. Make sure that thermostat wire is long enough to facilitate future removal of blower for service.

Complete the wiring connections to the equipment. Use the provided unit wiring diagram and the field wiring diagram shown in Figure 66. Use 18 gauge wire or larger that is suitable for Class II rating for thermostat connections.

Electrically ground the unit according to local codes or, in the absence of local codes, according to the current National Electric Code (ANSI/HFPA No. 70) for the USA and current Canadian Electric Code Part 1 (CSA standard C22.1) for Canada. A green ground wire is provided in the field makeup box.

**NOTE:** The gas furnace contains electronic components that are polarity sensitive. Make sure that the furnace is wired correctly and is properly grounded.

#### Accessory Terminals

One line voltage "ACC" 1/4" spade terminal is provided on the furnace control board. Any accessory rated up to one amp can be connected to this terminal with the neutral leg of the circuit being connected to one of the provided neutral terminals. If an accessory rated at greater than one amp is connected to this terminal, it is necessary to use an external relay. See Figure 68 for control board configuration. This terminal is energized when the indoor blower is operating.

One line voltage "HUM" 1/4" spade terminal is provided on the furnace control board. Any humidifier rated up to one amp can be connected to this terminal with the neutral leg of the circuit being connected to one of the provided neutral terminals. If a humidifier rated at greater than one amp is connected to this terminal, it is necessary to

use an external relay. See Figure 68 for control board configuration. This terminal is energized in the heating mode when the combustion air inducer is operating.

Install the room thermostat according to the instructions provided with the thermostat. See Figure 65 for thermostat designations. If the furnace is being matched with a heat pump, refer to the FM21 installation instruction or appropriate dual fuel thermostat instructions.

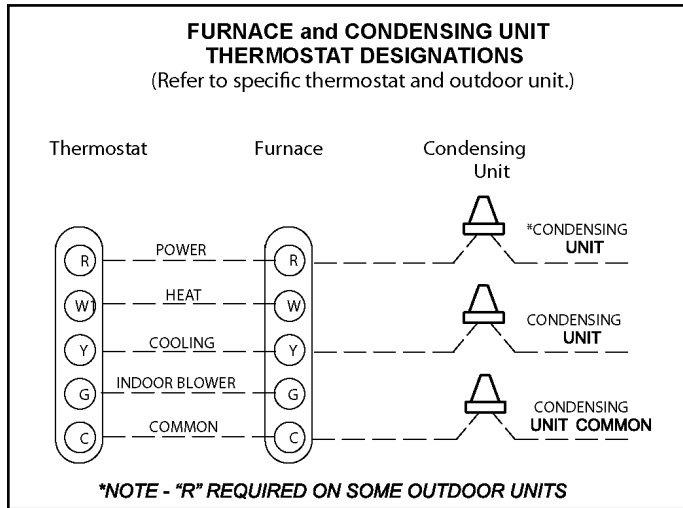


Figure 65.

### Indoor Blower Speeds

1. When the thermostat is set to "FAN ON", the indoor blower will run continuously on the heating speed when there is no cooling or heating demand.
2. When the furnace is running in the heating mode, the indoor blower will run on the heating speed.
3. When there is a cooling demand, the indoor blower will run on the cooling speed.

### Generator Use - Voltage Requirements

- The furnace requires 120 volts  $\pm$  10% (Range: 108 volts to 132 volts)
- The furnace operates at 60 Hz  $\pm$  5% (Range: 57 Hz to 63 Hz)
- The furnace integrated control requires both proper polarity and proper ground. Both polarity and proper grounding should be checked before attempting to operate the furnace on either permanent or temporary power.
- Generator should have a wave form distortion of less than 5% THD (total harmonic distortion).

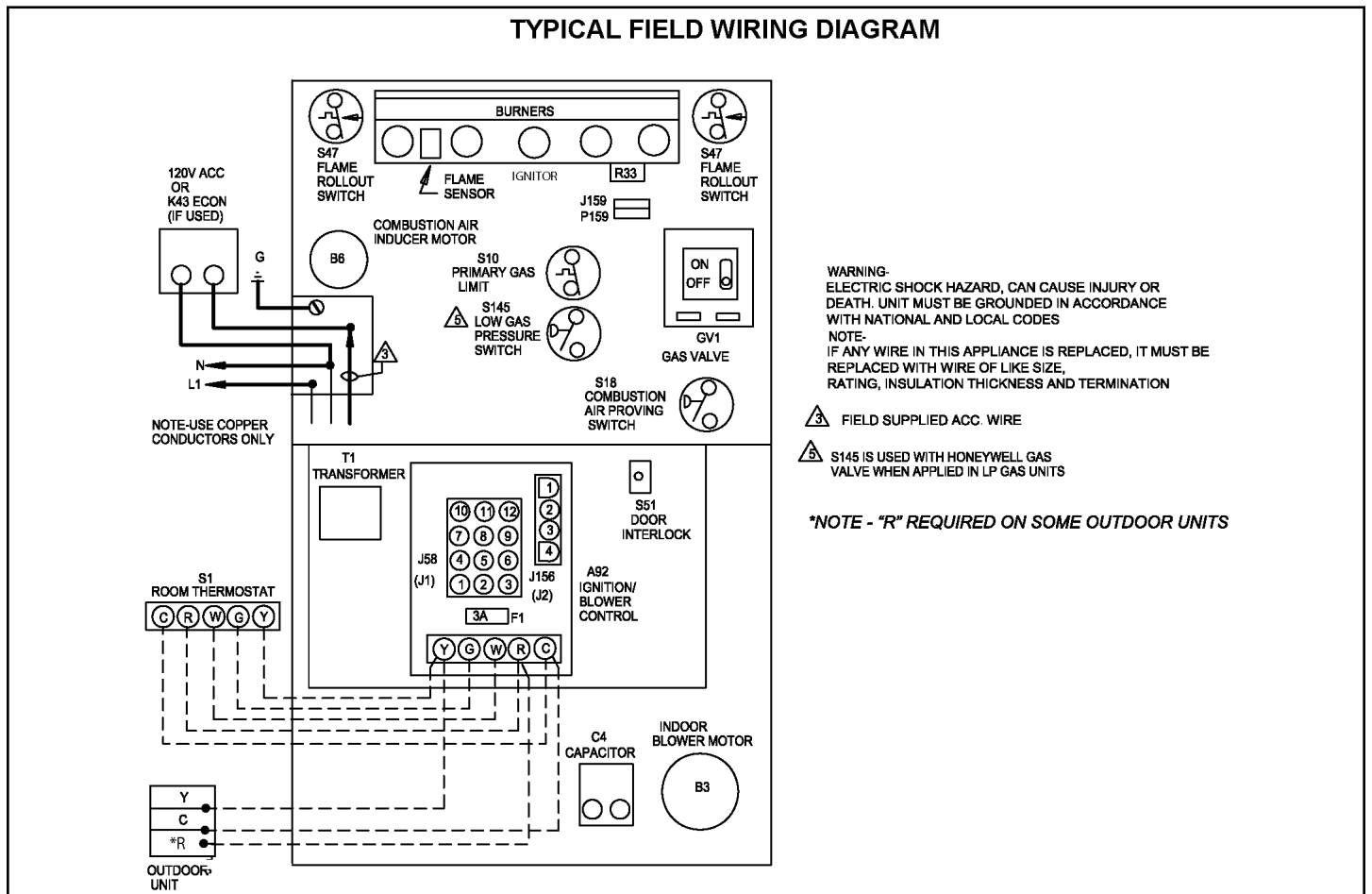


Figure 66.

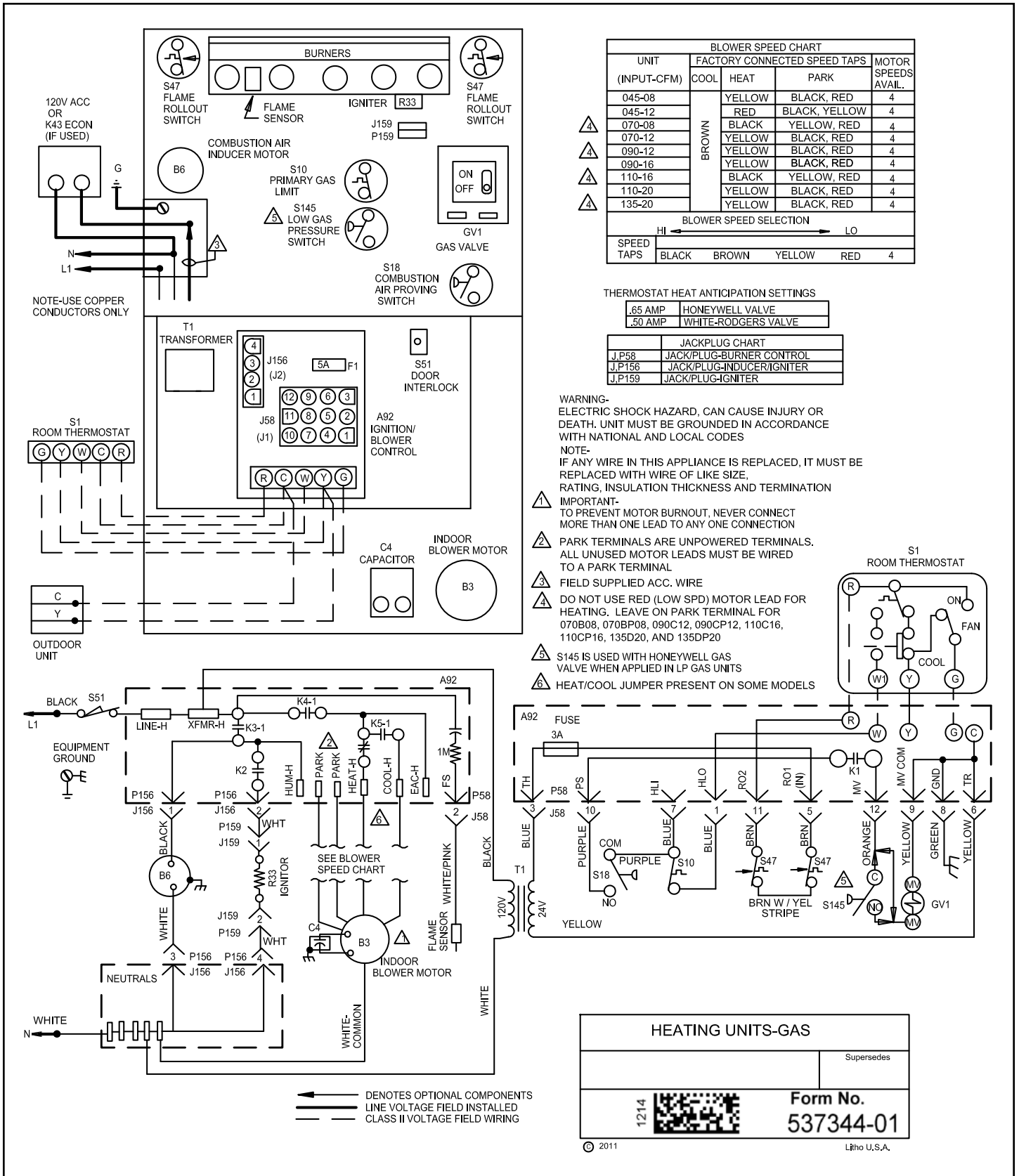


Figure 67. Typical Wiring Diagram

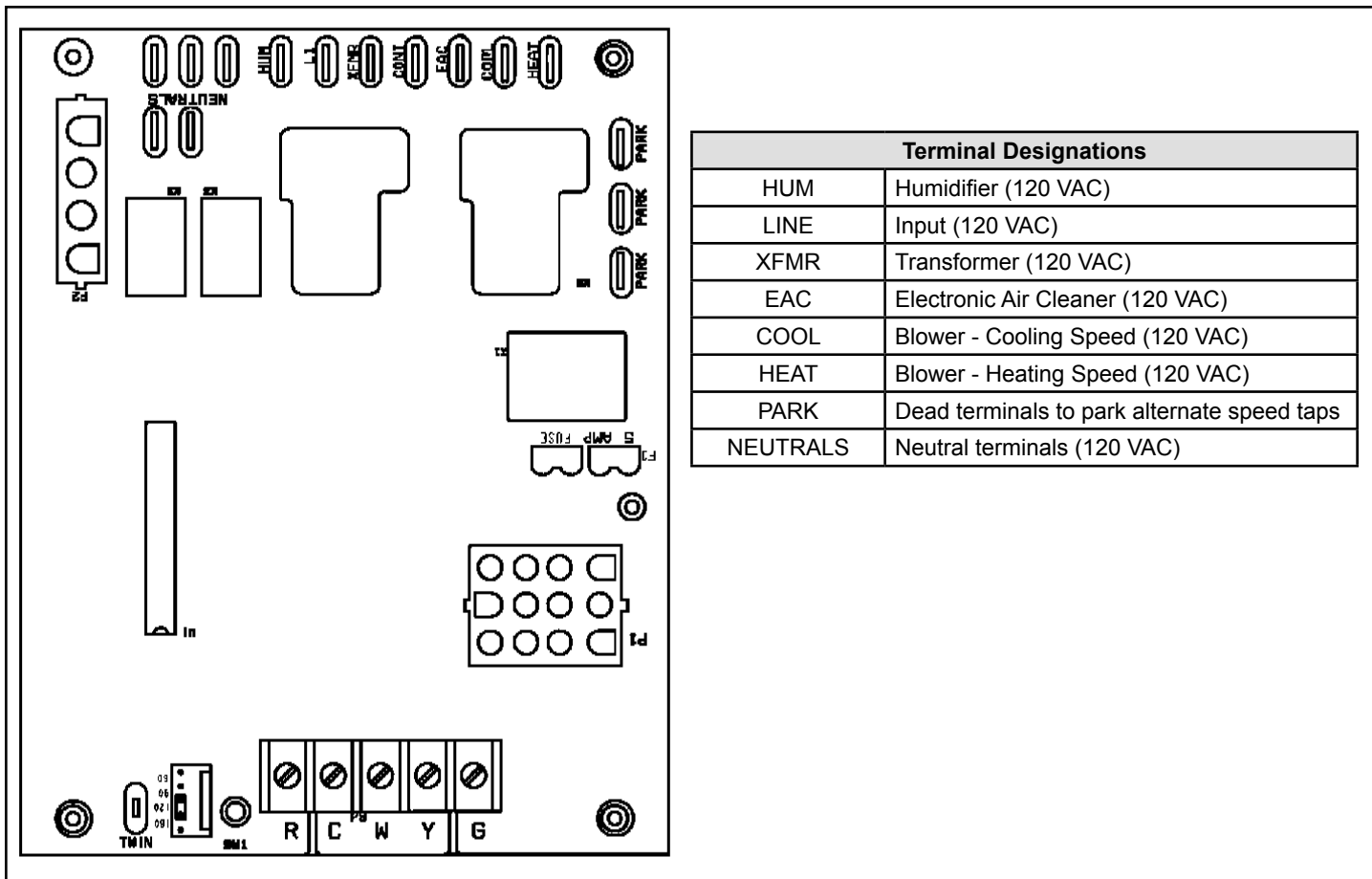


Figure 68. Integrated Control  
(Automatic Hot Surface Ignition System)

### Unit Start-Up

FOR YOUR SAFETY READ BEFORE OPERATING

#### ⚠ WARNING

Do not use this furnace if any part has been underwater. A flood-damaged furnace is extremely dangerous. Attempts to use the furnace can result in fire or explosion. Immediately call a qualified service technician to inspect the furnace and to replace all gas controls, control system parts, and electrical parts that have been wet or to replace the furnace, if deemed necessary.

#### ⚠ WARNING



Danger of explosion. Can cause injury or product or property damage. Should the gas supply fail to shut off or if overheating occurs, shut off the gas valve to the furnace before shutting off the electrical blower deck, before performing any service procedure.

#### ⚠ CAUTION

Before attempting to perform any service or maintenance, turn the electrical power to unit OFF at disconnect switch.

**BEFORE LIGHTING** the unit, smell all around the furnace area for gas. Be sure to smell next to the floor because some gas is heavier than air and will settle on the floor.

The gas valve on the unit is equipped with a gas control switch (lever). Use only your hand to move switch. Never use tools. If the switch will not move by hand, do not try to repair it. Force or attempted repair may result in a fire or explosion.

#### Placing the Furnace into Operation

This furnace is equipped with an automatic hot surface ignition system. Do not attempt to manually light burners on this furnace. Each time the thermostat calls for heat, the burners will automatically light. The ignitor does not get hot when there is no call for heat on these units.

## Priming Condensate Trap

The condensate trap should be primed with water prior to start-up to ensure proper condensate drainage. Either pour 10 fl. oz. (300 ml) of water into the trap, or follow these steps to prime the trap:

1. Follow the lighting instructions to place the unit into operation.
2. Set the thermostat to initiate a heating demand.
3. Allow the burners to fire for approximately 3 minutes.
4. Adjust the thermostat to deactivate the heating demand.
5. Wait for the combustion air inducer to stop. Set the thermostat to initiate a heating demand and again allow the burners to fire for approximately 3 minutes.
6. Adjust the thermostat to deactivate the heating demand and wait for the combustion air inducer to stop. At this point, the trap should be primed with sufficient water to ensure proper condensate drain operation.

### **WARNING**

If you do not follow these instructions exactly, a fire or explosion may result causing property damage, personal injury or death.

## Gas Valve Operation

See Figure 69

1. **STOP!** Read the safety information at the beginning of this section.
2. Set the thermostat to the lowest setting.
3. Turn OFF all electrical power to the unit.
4. This furnace is equipped with an ignition device which automatically lights the burners. Do not try to light the burners by hand.
5. Remove the upper access panel.
6. Move gas valve switch to OFF. See Figure 69.
7. Wait five minutes to clear out any gas. If you then smell gas, **STOP!** Immediately call your gas supplier from a neighbor's phone. Follow the gas supplier's instructions. If you do not smell gas go to next step.

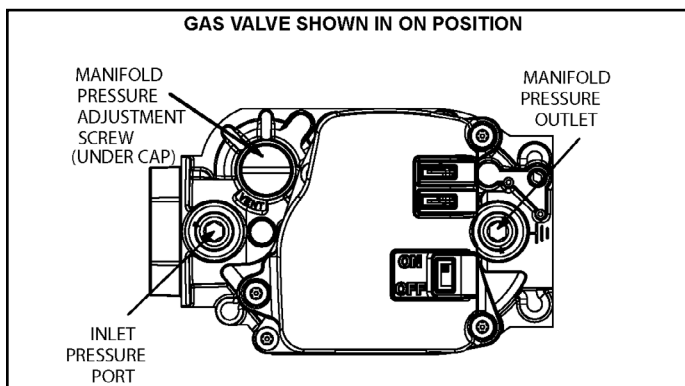


Figure 69.

8. Move gas valve switch to ON. See Figure 69.
9. Replace the upper access panel.
10. Turn on all electrical power to the unit.
11. Set the thermostat to desired setting.

**NOTE:** When unit is initially started, steps 1 through 11 may need to be repeated to purge air from gas line.

12. If the appliance will not operate, follow the instructions "Turning Off Gas to Unit" and call your service technician or gas supplier.

## Turning Off Gas to Unit

1. Set the thermostat to the lowest setting.
2. Turn off all electrical power to the unit if service is to be performed.
3. Remove the upper access panel.
4. Move gas valve switch to OFF.
5. Replace the upper access panel.

## Failure To Operate

If the unit fails to operate, check the following:

1. Is the thermostat calling for heat?
2. Are access panels securely in place?
3. Is the main disconnect switch closed?
4. Is there a blown fuse or tripped breaker?
5. Is the filter dirty or plugged? Dirty or plugged filters will cause the limit control to shut the unit off.
6. Is gas turned on at the meter?
7. Is the manual main shut-off valve open?
8. Is the internal manual shut-off valve open?
9. Is the unit ignition system in lockout? If the unit locks out again, inspect the unit for blockages.

## Heating Sequence of Operation

1. When thermostat calls for heat, combustion air inducer starts.
2. Combustion air pressure switch proves blower operation. Switch is factory set and requires no adjustment.
3. After a 15 second pre-purge, the hot surface ignitor energizes.
4. After a 20 second ignitor warm-up period, the gas valve solenoid opens. A 4-second "Trial for Ignition" period begins.
5. Gas is ignited, flame sensor proves the flame, and the combustion process continues.
6. If flame is not detected after first ignition trial, the ignition control will repeat steps 3 and 4 four more times before locking out the gas valve. The ignition control will then automatically repeat steps 1 through 6 after 60 minutes. To interrupt the 60 minute period, move thermostat from "Heat" to "OFF" then back to "Heat". Heating sequence then restarts at step 1.

## Gas Pressure Adjustment

### Gas Flow (Approximate)

Capacity	Seconds for One Revolution			
	Natural		LP	
	1 cu ft Dial	2 cu ft Dial	1 cu ft Dial	2 cu ft Dial
-045	80	160	200	400
-070	55	110	136	272
-090	41	82	102	204
-110	33	66	82	164
-135	27	54	68	136
Natural - 1000 btu/cu ft			LP - 2500 btu/cu ft	

**Table 10. Gas Meter Clocking Chart**

Furnace should operate at least 5 minutes before checking gas flow. Determine time in seconds for two revolutions of gas through the meter. (Two revolutions assures a more accurate time.) Divide by two and compare to time in Table 10. If manifold pressure matches Table 12 and rate is incorrect, check gas orifices for proper size and restriction. Remove temporary gas meter if installed.

**NOTE:** To obtain accurate reading, shut off all other gas appliances connected to meter.

### Supply Pressure Measurement

When testing supply gas pressure, use the 1/8" N.P.T. plugged tap or pressure post located on the gas valve to facilitate test gauge connection. See Figure 69. Check gas line pressure with unit firing at maximum rate. Low pressure may result in erratic operation or underfire. High pressure can result in permanent damage to gas valve or overfire.

On multiple unit installations, each unit should be checked separately, with and without other units operating. Supply pressure must fall within range listed in Table 12.

### Manifold Pressure Measurement

1. Remove the threaded plug from the outlet side of the gas valve and install a field provided barbed fitting. Connect to a manometer to measure manifold pressure.

**Manifold and Supply Line Pressure 0 - 10,000 ft.**

Capacity	Gas	Manifold Pressure in. w.g.					Supply Line Pressure in. w.g.	
		0 - 4,500 ft.	4,501 - 5,500 ft.	5,501 - 6,500 ft.	6,501 - 7,500 ft.	7,501 - 10,000 ft.	0 - 10,000 ft.	
All	Natural	3.5	3.3	3.2	3.1	3.5	4.5	13.0
	LP / Propane	10.	9.4	9.1	8.9	10.0	11.0	13.0

**NOTE:** A natural to LP propane gas changeover kit is necessary to convert this unit. Refer to the changeover kit installation instruction for the conversion procedure.

**Table 12.**

2. Start unit and allow 5 minutes for unit to reach steady state.
3. While waiting for the unit to stabilize, observe the flame. Flame should be stable and should not lift from burner. Natural gas should burn blue.
4. After allowing unit to stabilize for 5 minutes, record manifold pressure and compare to value given in Table 12.

**NOTE:** Shut unit off and remove manometer as soon as an accurate reading has been obtained. Take care to remove barbed fitting and replace threaded plug.

### Proper Combustion

Furnace should operate minimum 15 minutes with correct manifold pressure and gas flow rate before checking combustion. Take combustion sample beyond the flue outlet and compare to the tables below.

Capacity	CO <sub>2</sub> % for Nat	CO <sub>2</sub> % for L.P.
All	7.2 - 7.9	8.6 - 9.3
The maximum carbon monoxide reading should not exceed 100 ppm.		

**Table 11.**

### High Altitude Information

**NOTE:** In Canada, certification for installations at elevations over 4500 feet (1371 m) is the jurisdiction of local authorities.

Units may be installed at altitudes up to 10,000 ft. above sea level. See Table 11 for derate manifold values. Units installed at altitude of 7501 - 10,000 feet require an orifice change. Units installed at altitudes of 4,501 - 10,000 feet (1371 -3048 m) may require a pressure switch change which can be ordered separately.

Table 13 lists required pressure switch changes and orifice conversion kits at varying altitudes.

The combustion air pressure switches are factory set and require no adjustment.

**Burner Orifice Conversion Kits at Varying Altitudes**

Capacity	0 - 7,500 ft (0 - 2,286 m)		7,501 - 10,000 ft (2,286 - 3,048 m)	
	Natural to LP/ Propane	LP/Propane to Natural	High Altitude Natural Burner Orifice Kit	High Altitude LP/Propane Burner Orifice Kit
All	11K50+	73W80*	51W01	11K45+
* Conversion requires installation of a gas valve regulator spring which is provided with the gas conversion Kit. + LP Kits include low line pressure switch.				

**A93 and 92G1 Pressure Switch Requirements at Varying Altitudes**

Capacity	0 - 4500 ft (0 - 1371m)	4501 - 7500 ft (1371 - 2286m)	7501 - 10000 ft (2286 - 3048m)
045	No Change	11J09	11J10
070			
090			
110			
135	No Change	11U70	11U68
Pressure switch is factory set. No adjustment necessary. All models use the factory-installed pressure switch from 0-4500 feet (0-1371 m).			

**A95 and 95G1 Pressure Switch Requirements at Varying Altitudes**

Capacity	0 - 4500 ft (0 - 1371m)	4501 - 7500 ft (1371 - 2286m)	7501 - 10000 ft (2286 - 3048m)
045	No Change	No Change	11J09
070	No Change	11J12	10U93
090	No Change	11U70	10U93
110	No Change	11J12	10U93
135	No Change	11U70	10U93
Pressure switch is factory set. No adjustment necessary. All models use the factory-installed pressure switch from 0-4500 feet (0-1371 m).			

**Table 13.**



## Testing for Proper Venting and Sufficient Combustion Air for Non-Direct Vent Applications

### **WARNING**

#### **CARBON MONOXIDE POISONING HAZARD**

Failure to follow the steps outlined below for each appliance connected to the venting system being placed into operation could result in carbon monoxide poisoning or death.

The following steps shall be followed for each appliance connected to the venting system being placed into operation, while all other appliances connected to the venting system are not in operation.

After the gas furnace has been started, the following test should be conducted to ensure proper venting and sufficient combustion air has been provided to the unit as well as to other gas-fired appliances which are separately vented.

If this furnace replaces a Category I furnace which was commonly vented with another gas appliance, the size of the existing vent pipe for that gas appliance must be checked. Without the heat of the original furnace flue products, the existing vent pipe is probably oversized for the single water heater or other appliance. The vent should be checked for proper draw with the remaining appliance.

The test should be conducted while all appliances (both in operation and those not in operation) are connected to the venting system being tested. If the venting system has been installed improperly, or if provisions have not been made for sufficient amounts of combustion air, corrections must be made as outlined in the previous section.

1. Seal any unused openings in the venting system.
2. Visually inspect the venting system for proper size and horizontal pitch. Determine there is no blockage or restriction, leakage, corrosion, or other deficiencies which could cause an unsafe condition.
3. To the extent that it is practical, close all building doors and windows and all doors between the space in which the appliances connected to the venting system are located and other spaces of the building.
4. Close fireplace dampers.
5. Turn on clothes dryers and any appliances not connected to the venting system. Turn on any exhaust fans, such as range hoods and bathroom exhausts, so they will operate at maximum speed. Do not operate a summer exhaust fan.
6. Follow the lighting instruction to place the appliance being inspected into operation. Adjust thermostat so appliance will operate continuously.
7. Use the flame of match or candle to test for spillage of flue gases at the draft hood relief opening after 5 minutes of main burner operation.
8. If improper venting is observed during any of the above tests, the venting system must be corrected or sufficient combustion/makeup air must be provided. The venting system should be re-sized to approach the minimum size as determined by using the appropriate tables in appendix G in the current standards of the National Fuel Gas Code ANSI-Z223.1/NPFA 54 in the U.S.A., and the appropriate Natural Gas and Propane appliances venting sizing tables in the current standard of the CSA-B149 Natural Gas and Propane Installation Codes in Canada.
9. After determining that each appliance remaining connected to the common venting system properly vents when tested as indicated in step 3, return doors, windows, exhaust fans, fireplace dampers and any other gas burning appliance to their previous condition of use.

## Other Unit Adjustments

### Primary Limit

The primary limit is located on the heating compartment vestibule panel. This limit is factory set and requires no adjustment.

### Flame Rollout Switches (Two)

These manually reset switches are located on the front of the burner box. These limits are factory set and require no adjustment.

### Pressure Switch

The pressure switch is located in the heating compartment on the cold end header box. This switch checks for proper combustion air inducer operation before allowing ignition trial. The switch is factory set and must not be adjusted.

### Temperature Rise

After the furnace has been started and supply and return air temperatures have been allowed to stabilize, check the temperature rise. If necessary, adjust the blower speed to maintain the temperature rise within the range shown on the unit nameplate. Increase the blower speed to decrease the temperature. Decrease the blower speed to increase the temperature rise. Failure to adjust the temperature rise may cause erratic limit operation.

### Fan Control

The fan ON time of 30 seconds is not adjustable. The fan OFF delay (amount of time that the blower operates after the heat demand has been satisfied) may be adjusted by changing the jumper position across the five pins on the integrated control. The unit is shipped with a factory heat fan OFF setting of 120 seconds. The fan OFF delay affects comfort and is adjustable to satisfy individual applications. Adjust the fan OFF delay to achieve a supply air temperature between 90° and 110° F at the moment that the blower is de-energized. Longer OFF delay settings provide lower return air temperatures; shorter settings provide higher return air temperatures. See Figure 70.

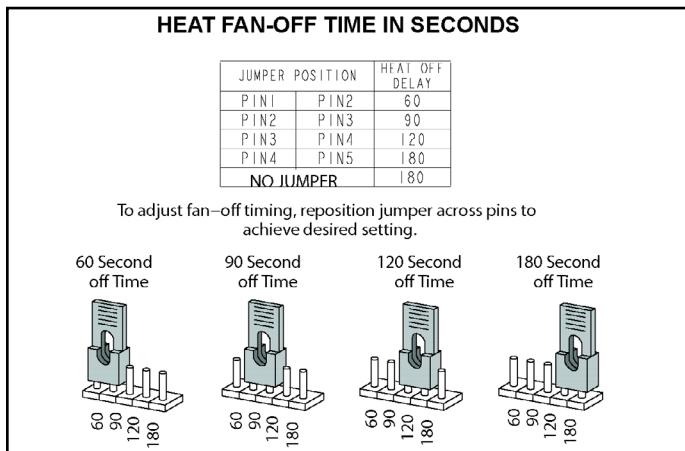


Figure 70.

### Thermostat Heat Anticipation

Set the heat anticipator setting (if adjustable) according to the amp draw listed on the wiring diagram that is attached to the unit.

### Electrical

1. Check all wiring for loose connections.
2. Check for the correct voltage at the furnace (with furnace operating). Correct voltage is 120 VAC ± 10%
3. Check amp-draw on the blower motor with the blower access panel in place.

Motor Nameplate \_\_\_\_\_ Actual \_\_\_\_\_

### Blower Speeds

Follow the steps below to change the blower speeds.

1. Turn off electrical power to furnace.
2. Remove blower access panel.
3. Disconnect existing speed tap at control board speed terminal.

**NOTE:** Termination of any unused motor leads must be insulated.

4. Place unused blower speed tap on integrated control "PARK" terminal or insulate.
5. Refer to blower speed selection chart on unit wiring diagram for desired heating or cooling speed. See Blower performance data beginning on the next page.
6. Connect selected speed tap at control board speed terminal.
7. Re-secure blower access panel.
8. Turn on electrical power to furnace.
9. Recheck temperature rise.

### Electronic Ignition

The integrated control has an added feature of an internal Watchguard control. The feature serves as an automatic reset device for integrated control lockout caused by ignition failure. This type of lockout is usually due to low gas line pressure. After one hour of continuous thermostat demand for heat, the Watchguard will break and remake thermostat demand to the furnace and automatically reset the integrated control to begin the ignition sequence.

### Exhaust and Air Intake Pipe

1. Check exhaust and air intake connections for tightness and to make sure there is no blockage.
2. Is pressure switch closed? Obstructed exhaust pipe will cause unit to shut off at pressure switch. Check termination for blockages.
3. Obstructed pipe or termination may cause rollout switches to open. Reset manual flame rollout switches on burner box assembly if necessary.

## Blower Performance A93UH1D / 92G1UH

### A93UH1D / 92G1UH 045\*B08 Performance (Less Filter)

External Static Pressure in. w.c.	Air Volume / Watts at Various Blower Speeds							
	High		Medium-High		Medium-Low		Low	
	cfm	Watts	cfm	Watts	cfm	Watts	cfm	Watts
0.00	1140	455	920	365	765	295	710	265
0.10	1135	445	900	360	765	290	690	255
0.20	1125	430	895	350	755	285	680	255
0.30	1090	415	870	340	725	280	660	250
0.40	1065	405	870	325	715	270	635	245
0.50	1020	390	825	315	675	260	605	235
0.60	945	365	780	300	640	250	555	225
0.70	910	350	740	295	585	240	505	220
0.80	790	325	670	275	510	225	455	205
0.90	735	310	575	255	460	220	390	195

### A93UH1D / 92G1UH 045\*B12 Performance (Less Filter)

External Static Pressure in. w.c.	Air Volume / Watts at Various Blower Speeds							
	High		Medium-High		Medium-Low		Low	
	cfm	Watts	cfm	Watts	cfm	Watts	cfm	Watts
0.00	1600	700	1370	590	1160	475	1005	400
0.10	1600	685	1355	565	1155	465	1015	390
0.20	1550	650	1330	540	1150	445	1000	380
0.30	1480	625	1295	515	1140	430	975	365
0.40	1425	590	1280	490	1105	415	975	350
0.50	1355	565	1190	460	1085	395	940	335
0.60	1320	545	1165	435	1030	375	900	315
0.70	1225	500	1110	425	975	355	855	310
0.80	1135	480	1050	395	920	330	780	280
0.90	1025	445	950	360	800	295	700	255

### A93UH1D / 92G1UH 070\*B08 Performance (Less Filter)

External Static Pressure in. w.c.	Air Volume / Watts at Various Blower Speeds							
	High		Medium-High		Medium-Low		Low	
	cfm	Watts	cfm	Watts	cfm	Watts	cfm	Watts
0.00	1140	455	920	365	765	295	710	265
0.10	1135	445	900	360	765	290	690	255
0.20	1125	430	895	350	755	285	680	255
0.30	1090	415	870	340	725	280	660	250
0.40	1065	405	870	325	715	270	635	245
0.50	1020	390	825	315	675	260	605	235
0.60	945	365	780	300	640	250	555	225
0.70	910	350	740	295	585	240	505	220
0.80	790	325	670	275	510	225	455	205
0.90	735	310	575	255	460	220	390	195

**NOTE:** All air is measured external to unit without filter (filter not furnished - field provided)

**A93UH1D / 92G1UH 070\*B12 Performance (Less Filter)**

External Static Pressure in. w.c.	Air Volume / Watts at Various Blower Speeds							
	High		Medium-High		Medium-Low		Low	
	cfm	Watts	cfm	Watts	cfm	Watts	cfm	Watts
0.00	1615	680	1355	570	1140	480	1030	400
0.10	1565	660	1365	545	1150	465	1020	385
0.20	1535	630	1340	525	1150	440	1025	375
0.30	1440	600	1300	500	1110	420	1000	350
0.40	1405	570	1255	470	1075	400	975	345
0.50	1340	535	1200	445	1045	380	945	330
0.60	1255	500	1125	420	995	355	875	310
0.70	1165	475	1080	395	935	335	820	290
0.80	1060	455	990	365	870	315	750	265
0.90	955	425	895	345	750	285	660	245

**A93UH1D / 92G1UH 090\*C12 Performance (Less Filter)**

External Static Pressure in. w.c.	Air Volume / Watts at Various Blower Speeds							
	High		Medium-High		Medium-Low		Low	
	cfm	Watts	cfm	Watts	cfm	Watts	cfm	Watts
0.00	1620	745	1340	620	1130	500	965	405
0.10	1610	720	1335	595	1135	490	975	395
0.20	1565	695	1335	565	1145	465	970	385
0.30	1525	665	1300	555	1135	455	970	370
0.40	1485	635	1295	520	1110	435	960	355
0.50	1430	600	1260	495	1090	405	940	345
0.60	1365	570	1210	475	1035	390	900	330
0.70	1295	535	1155	445	995	365	860	305
0.80	1200	505	1065	415	930	340	745	270
0.90	1060	460	955	375	820	305	695	260

**A93UH1D / 92G1UH 090\*C16 Performance (Less Filter)**

External Static Pressure in. w.c.	Air Volume / Watts at Various Blower Speeds							
	High		Medium-High		Medium-Low		Low	
	cfm	Watts	cfm	Watts	cfm	Watts	cfm	Watts
0.00	2025	900	1690	780	1395	645	1200	540
0.10	1995	880	1705	760	1390	635	1205	525
0.20	1925	835	1675	715	1405	605	1205	505
0.30	1850	795	1640	680	1400	580	1170	490
0.40	1790	760	1575	645	1395	560	1170	475
0.50	1700	725	1540	625	1350	535	1140	450
0.60	1610	690	1455	580	1295	505	1100	430
0.70	1540	645	1365	550	1225	480	1030	405
0.80	1415	615	1265	510	1125	445	980	385
0.90	1270	565	1165	470	1060	420	900	350

**NOTE:** All air is measured external to unit without filter (filter not furnished - field provided)

**A93UH1D / 92G1UH 110\*C16 Performance (Less Filter)**

External Static Pressure in. w.c.	Air Volume / Watts at Various Blower Speeds							
	High		Medium-High		Medium-Low		Low	
	cfm	Watts	cfm	Watts	cfm	Watts	cfm	Watts
0.00	2030	905	1750	805	1425	665	1225	530
0.10	1950	865	1755	770	1430	630	1215	515
0.20	1935	840	1675	735	1455	610	1230	505
0.30	1885	810	1660	685	1410	585	1200	485
0.40	1830	780	1585	645	1385	570	1190	470
0.50	1750	740	1565	630	1320	535	1165	455
0.60	1660	695	1485	585	1280	505	1105	425
0.70	1540	665	1380	555	1230	485	1060	405
0.80	1420	615	1290	520	1140	445	945	375
0.90	1290	575	1175	470	1045	410	850	350

**A93UH1D / 92G1UH 110\*C20 Performance (Less Filter)**

External Static Pressure in. w.c.	Air Volume / Watts at Various Blower Speeds															
	Bottom Return Air, Side Return Air with Optional Return Air Base, Return Air from Both Sides or Return Air from Bottom and One Side.								Single Side Return Air - Air volumes in <b>bold</b> require field fabricated transition to accommodate 20 x 25 x 1 in. air filter in order to maintain proper air velocity.							
	High		Medium-High		Medium-Low		Low		High		Medium-High		Medium-Low		Low	
	cfm	Watts	cfm	Watts	cfm	Watts	cfm	Watts	cfm	Watts	cfm	Watts	cfm	Watts	cfm	Watts
0.00	2395	1265	2250	1055	2020	875	1725	715	<b>2570</b>	<b>1390</b>	<b>2300</b>	<b>1110</b>	<b>1990</b>	<b>905</b>	1685	725
0.10	2410	1250	2215	1025	1980	855	1730	705	<b>2490</b>	<b>1345</b>	<b>2220</b>	<b>1090</b>	<b>1970</b>	<b>890</b>	1650	710
0.20	2370	1220	2180	995	1950	830	1670	685	<b>2415</b>	<b>1325</b>	<b>2170</b>	<b>1060</b>	<b>1925</b>	<b>880</b>	1620	700
0.30	2270	1190	2120	975	1885	810	1635	670	<b>2335</b>	<b>1270</b>	<b>2115</b>	<b>1025</b>	<b>1865</b>	<b>850</b>	1605	685
0.40	2185	1160	1995	945	1835	790	1605	660	<b>2230</b>	<b>1235</b>	<b>2055</b>	<b>1005</b>	<b>1820</b>	<b>825</b>	1565	675
0.50	2115	1120	1955	925	1760	765	1545	640	<b>2160</b>	<b>1200</b>	<b>1995</b>	<b>975</b>	1755	795	1510	650
0.60	2020	1100	1865	885	1721	745	1485	615	<b>2065</b>	<b>1155</b>	<b>1875</b>	<b>925</b>	1690	770	1455	630
0.70	1910	1065	1765	855	1630	720	1425	600	<b>1945</b>	<b>1100</b>	<b>1800</b>	<b>900</b>	1595	735	1425	620
0.80	1815	1025	1675	825	1555	695	1330	575	<b>1850</b>	<b>1060</b>	1700	865	1515	715	1315	590
0.90	1680	1000	1575	805	1440	670	1275	565	1700	1025	1590	835	1430	690	1210	565

**A93UH1D / 92G1UH 135\*D20 Performance (Less Filter)**

External Static Pressure in. w.c.	Air Volume / Watts at Various Blower Speeds															
	Bottom Return Air, Side Return Air with Optional Return Air Base, Return Air from Both Sides or Return Air from Bottom and One Side.								Single Side Return Air - Air volumes in <b>bold</b> require field fabricated transition to accommodate 20 x 25 x 1 in. air filter in order to maintain proper air velocity.							
	High		Medium-High		Medium-Low		Low		High		Medium-High		Medium-Low		Low	
	cfm	Watts	cfm	Watts	cfm	Watts	cfm	Watts	cfm	Watts	cfm	Watts	cfm	Watts	cfm	Watts
0.00	2455	1300	2225	1055	2000	890	1730	725	<b>2480</b>	<b>1410</b>	<b>2240</b>	<b>1160</b>	<b>1955</b>	<b>900</b>	1650	735
0.10	2410	1260	2220	1045	1970	865	1755	710	<b>2450</b>	<b>1380</b>	<b>2240</b>	<b>1130</b>	<b>1885</b>	<b>890</b>	1660	725
0.20	2350	1235	2170	1020	1945	840	1710	695	<b>2370</b>	<b>1345</b>	<b>2160</b>	<b>1075</b>	<b>1930</b>	<b>865</b>	1630	715
0.30	2260	1200	2100	985	1915	815	1675	680	<b>2350</b>	<b>1310</b>	<b>2120</b>	<b>1065</b>	<b>1895</b>	<b>845</b>	1620	700
0.40	2135	1160	2050	955	1825	795	1655	660	<b>2225</b>	<b>1265</b>	<b>2080</b>	<b>1030</b>	<b>1800</b>	<b>830</b>	1605	690
0.50	2095	1135	1950	930	1805	785	1575	640	<b>2165</b>	<b>1220</b>	<b>1985</b>	<b>1000</b>	1775	805	1580	670
0.60	1980	1085	1875	895	1720	750	1540	625	<b>2065</b>	<b>1185</b>	<b>1905</b>	<b>960</b>	1715	775	1460	625
0.70	1885	1055	1820	870	1680	725	1480	610	<b>1985</b>	<b>1140</b>	<b>1810</b>	<b>930</b>	1665	755	1460	625
0.80	1810	1030	1690	830	1580	690	1405	590	<b>1885</b>	<b>1110</b>	1695	885	1600	735	1440	610
0.90	1690	995	1620	800	1505	670	1360	565	<b>1800</b>	<b>1075</b>	1540	850	1515	705	1335	580

**NOTE:** All air is measured external to unit without filter (filter not furnished - field provided)

## Blower Performance A95UH1D / 95G1UHD

### A95UH1D / 95G1UH 045\*B08 Performance (Less Filter)

External Static Pressure in. w.c.	Air Volume / Watts at Various Blower Speeds							
	High		Medium-High		Medium-Low		Low	
	cfm	Watts	cfm	Watts	cfm	Watts	cfm	Watts
0.00	1140	455	920	365	765	295	710	265
0.10	1135	445	900	360	765	290	690	255
0.20	1125	430	895	350	755	285	680	255
0.30	1090	415	870	340	725	280	660	250
0.40	1065	405	870	325	715	270	635	245
0.50	1020	390	825	315	675	260	605	235
0.60	945	365	780	300	640	250	555	225
0.70	910	350	740	295	585	240	505	220
0.80	790	325	670	275	510	225	455	205
0.90	735	310	575	255	460	220	390	195

### A95UH1D / 95G1UH 045\*B12 Performance (Less Filter)

External Static Pressure in. w.c.	Air Volume / Watts at Various Blower Speeds							
	High		Medium-High		Medium-Low		Low	
	cfm	Watts	cfm	Watts	cfm	Watts	cfm	Watts
0.00	1605	700	1370	590	1160	475	1010	400
0.10	1600	680	1355	565	1155	465	1015	390
0.20	1550	645	1330	540	1150	445	1000	380
0.30	1480	620	1295	520	1140	430	975	365
0.40	1425	590	1280	490	1105	415	975	345
0.50	1355	565	1190	460	1085	395	940	335
0.60	1320	545	1165	435	1030	380	900	315
0.70	1225	500	1110	425	980	355	855	310
0.80	1135	480	1050	395	920	330	780	280
0.90	1025	445	950	360	795	295	700	255

### A95UH1D / 95G1UH 070\*B12 Performance (Less Filter)

External Static Pressure in. w.c.	Air Volume / Watts at Various Blower Speeds							
	High		Medium-High		Medium-Low		Low	
	cfm	Watts	cfm	Watts	cfm	Watts	cfm	Watts
0.00	1585	685	1340	585	1095	480	880	380
0.10	1560	665	1320	565	1085	470	885	375
0.20	1515	630	1300	540	1080	460	880	370
0.30	1465	590	1275	520	1065	440	890	360
0.40	1410	570	1235	490	1050	420	875	350
0.50	1345	540	1195	470	1020	400	840	335
0.60	1275	510	1140	440	975	365	830	315
0.70	1195	485	1090	410	930	355	780	290
0.80	1105	460	995	380	850	325	730	275
0.90	985	420	890	345	770	300	650	255

**NOTE:** All air is measured external to unit without filter (filter not furnished - field provided)

**A95UH1D / 95G1UH 090\*C12 Performance (Less Filter)**

External Static Pressure in. w.c.	Air Volume / Watts at Various Blower Speeds							
	High		Medium-High		Medium-Low		Low	
	cfm	Watts	cfm	Watts	cfm	Watts	cfm	Watts
0.00	1630	715	1345	590	1090	475	885	385
0.10	1615	700	1320	580	1070	465	890	380
0.20	1580	675	1305	570	1070	455	890	370
0.30	1525	620	1295	535	1060	435	890	360
0.40	1480	615	1275	515	1055	430	885	350
0.50	1415	565	1220	485	1030	410	860	330
0.60	1350	535	1175	450	1005	390	835	310
0.70	1260	505	1115	415	955	360	785	290
0.80	1190	480	1010	380	880	325	740	285
0.90	1060	435	930	360	795	295	655	250

**A95UH1D / 95G1UH 090\*C16 Performance (Less Filter)**

External Static Pressure in. w.c.	Air Volume / Watts at Various Blower Speeds							
	High		Medium-High		Medium-Low		Low	
	cfm	Watts	cfm	Watts	cfm	Watts	cfm	Watts
0.00	2140	880	1895	780	1590	645	1350	550
0.10	2110	850	1880	760	1585	635	1360	545
0.20	2060	810	1835	725	1580	620	1360	520
0.30	1990	765	1805	690	1550	585	1365	495
0.40	1925	750	1755	655	1510	545	1330	470
0.50	1830	700	1680	610	1455	525	1285	450
0.60	1720	645	1610	575	1390	480	1230	415
0.70	1600	615	1525	535	1300	465	1165	390
0.80	1455	560	1410	495	1195	430	1035	365
0.90	1300	515	1305	465	1100	390	900	320

**A95UH1D / 95G1UH 110\*C16 Performance (Less Filter)**

External Static Pressure in. w.c.	Air Volume / Watts at Various Blower Speeds							
	High		Medium-High		Medium-Low		Low	
	cfm	Watts	cfm	Watts	cfm	Watts	cfm	Watts
0.00	2000	910	1675	765	1360	635	1185	525
0.10	1980	895	1650	745	1370	610	1180	505
0.20	1935	855	1600	710	1400	590	1170	485
0.30	1875	830	1560	680	1370	570	1160	490
0.40	1800	785	1490	655	1325	545	1120	455
0.50	1725	720	1400	610	1295	515	1080	435
0.60	1630	685	1335	585	1185	480	1030	410
0.70	1530	665	1290	525	1100	435	940	385
0.80	1410	610	1190	485	985	400	790	365
0.90	1245	560	1000	430	925	380	715	315

**NOTE:** All air is measured external to unit without filter (filter not furnished - field provided)

**A95UH1D / 95G1UH 110\*C20 Performance (Less Filter)**

External Static Pressure in. w.c.	Air Volume / Watts at Various Blower Speeds															
	Bottom Return Air, Side Return Air with Optional Return Air Base, Return Air from Both Sides or Return Air from Bottom and One Side.								Single Side Return Air - Air volumes in <b>bold</b> require field fabricated transition to accommodate 20 x 25 x 1 in. air filter in order to maintain proper air velocity.							
	High		Medium-High		Medium-Low		Low		High		Medium-High		Medium-Low		Low	
	cfm	Watts	cfm	Watts	cfm	Watts	cfm	Watts	cfm	Watts	cfm	Watts	cfm	Watts	cfm	Watts
0.00	2370	1330	2230	1100	2000	910	1735	745	<b>2360</b>	<b>1320</b>	<b>2260</b>	<b>1085</b>	<b>1965</b>	<b>905</b>	1745	745
0.10	2350	1295	2205	1085	1970	890	1730	735	<b>2330</b>	<b>1285</b>	<b>2180</b>	<b>1070</b>	<b>1945</b>	<b>890</b>	1715	735
0.20	2265	1280	2135	1070	1890	875	1730	720	<b>2255</b>	<b>1250</b>	<b>2075</b>	<b>1045</b>	<b>1885</b>	<b>880</b>	1695	725
0.30	2190	1230	2050	1040	1785	850	1685	705	<b>2150</b>	<b>1210</b>	<b>2060</b>	<b>1020</b>	<b>1880</b>	<b>855</b>	1645	710
0.40	2090	1190	1945	995	1755	830	1665	695	<b>2015</b>	<b>1180</b>	<b>1970</b>	<b>990</b>	1795	830	1610	695
0.50	2000	1160	1880	955	1685	815	1640	685	<b>1995</b>	<b>1145</b>	<b>1900</b>	<b>955</b>	1775	805	1555	680
0.60	1935	1135	1770	930	1540	780	1590	660	<b>1920</b>	<b>1110</b>	1785	910	1695	775	151	645
0.70	1805	1085	1720	895	1480	750	1505	630	1780	1070	1710	885	1590	745	1440	630
0.80	1730	1065	1590	855	1405	720	1455	610	1680	1045	1570	845	1520	710	1350	610
0.90	1645	1010	1520	840	1340	705	1400	595	1595	1010	1540	830	1445	695	1315	600

**A95UH1D / 95G1UH 135\*D20 Performance (Less Filter)**

External Static Pressure in. w.c.	Air Volume / Watts at Various Blower Speeds															
	Bottom Return Air, Side Return Air with Optional Return Air Base, Return Air from Both Sides or Return Air from Bottom and One Side.								Single Side Return Air - Air volumes in <b>bold</b> require field fabricated transition to accommodate 20 x 25 x 1 in. air filter in order to maintain proper air velocity.							
	High		Medium-High		Medium-Low		Low		High		Medium-High		Medium-Low		Low	
	cfm	Watts	cfm	Watts	cfm	Watts	cfm	Watts	cfm	Watts	cfm	Watts	cfm	Watts	cfm	Watts
0.00	2445	1400	2275	1205	1985	925	1695	755	<b>2415</b>	<b>1390</b>	<b>2240</b>	<b>1165</b>	<b>1905</b>	<b>915</b>	1655	755
0.10	2410	1370	2230	1120	1950	915	1685	745	<b>2390</b>	<b>1365</b>	<b>2210</b>	<b>1125</b>	<b>1890</b>	<b>905</b>	1640	745
0.20	2350	1315	2170	1100	1890	900	1665	740	<b>2335</b>	<b>1335</b>	<b>2140</b>	<b>1095</b>	<b>1840</b>	<b>890</b>	1570	735
0.30	2250	1285	2110	1075	1820	880	1610	725	<b>2310</b>	<b>1305</b>	<b>2040</b>	<b>1060</b>	1760	860	1500	720
0.40	2150	1245	1970	1030	1750	855	1565	705	<b>2170</b>	<b>1245</b>	<b>1965</b>	<b>1025</b>	1685	835	1480	705
0.50	2030	1200	1900	995	1710	830	1510	685	<b>2065</b>	<b>1215</b>	<b>1905</b>	<b>995</b>	1625	815	1425	685
0.60	1950	1170	1795	955	1645	800	1435	670	<b>1950</b>	<b>1175</b>	<b>1830</b>	<b>980</b>	1530	785	1365	670
0.70	1870	1130	1690	915	1560	780	1410	655	1770	1125	1750	940	1435	755	1305	650
0.80	1740	1100	1520	895	1455	745	1280	620	1680	1095	1645	905	1365	730	1215	625
0.90	1650	1060	1430	865	1360	710	1210	595	1575	1035	1530	850	1250	705	1125	585



## Service

### **WARNING**

#### **ELECTRICAL SHOCK, FIRE, OR EXPLOSION HAZARD.**

Failure to follow safety warnings exactly could result in dangerous operation, serious injury, death or property damage.

Improper servicing could result in dangerous operation, serious injury, death, or property damage.

Before servicing, disconnect all electrical power to furnace.

When servicing controls, label all wires prior to disconnecting. Take care to reconnect wires correctly. Verify proper operation after servicing.

At the beginning of each heating season, system should be checked as follows by a qualified service technician:

### **Blower**

Check the blower wheel for debris and clean if necessary. The blower motors are pre-lubricated for extended bearing life. No further lubrication is needed.

### **WARNING**

The blower access panel must be securely in place when the blower and burners are operating. Gas fumes, which could contain carbon monoxide, can be drawn into living space resulting in personal injury or death.

### **Filters**

All air filters are installed external to the unit. Filters should be inspected monthly. Clean or replace the filters when necessary to ensure proper furnace operation. Table 1 lists recommended filter sizes.

### **Exhaust and Air Intake Pipes**

Check the exhaust and air intake pipes and all connections for tightness and to make sure there is no blockage.

**NOTE:** After any heavy snow, ice or frozen fog event the furnace vent pipes may become restricted. Always check the vent system and remove any snow or ice that may be obstructing the plastic intake or exhaust pipes.

### **Electrical**

1. Check all wiring for loose connections.
2. Check for the correct voltage at the furnace (with furnace operating). Correct voltage is 120 VAC  $\pm$  10%
3. Check amp-draw on the blower motor with the blower access panel in place.

Motor Nameplate \_\_\_\_\_ Actual \_\_\_\_\_

### **Winterizing and Condensate Trap Care**

1. Turn off power to the furnace.
2. Have a shallow pan ready to empty condensate water.
3. Remove the clean out cap from the condensate trap and empty water. Inspect the trap then reinstall the clean out cap.

### **Cleaning Heat Exchanger**

If cleaning the heat exchanger becomes necessary, follow the below procedures and refer to Figure 1 when disassembling unit. Use papers or protective covering in front of furnace while removing heat exchanger assembly.

1. Turn off electrical and gas supplies to the furnace.
2. Remove the burner access panel.
3. Mark all gas valve wires and disconnect them from valve.
4. Remove gas supply line connected to gas valve.
5. Remove sensor wire from flame sensor. Disconnect 2-pin plug from the ignitor.
6. Disconnect wires from flame rollout switches.
7. Remove four burner assembly screws at the vestibule panel and remove gas valve /manifold and burner box as a single unit.
8. If necessary, clean burners at this time. Follow procedures outlined in Burner Cleaning section.
9. Remove the clean-out cap on trap and drain. Replace cap.
10. Disconnect condensate drain line from the condensate trap. Remove condensate trap (it may be necessary to cut drain pipe). Remove the 1/2" NPT fitting from the cold end header box. Disconnect drain tubes from cold end header collector box.
11. Disconnect condensate drain tubes from flue collar. Remove screws that secures flue collar in place. Remove flue collar. It may be necessary to cut the exiting exhaust pipe for removal of the fitting.
12. Loosen two clamps from flexible no-hub exhaust collar.
13. Disconnect the 2-pin plug from the combustion air inducer. Remove screws which secure combustion air inducer to collector box. Remove combustion air inducer assembly. Remove ground wire.
14. Mark and disconnect all combustion air pressure tubing from cold end header collector box.
15. Mark and remove wires from pressure switch. Remove pressure switch. Keep tubing attached to pressure switch.
16. Remove electrical junction box from the side of the furnace.
17. Remove blower access panel.
18. Mark and disconnect any remaining wiring to heating compartment components. Disengage strain relief bushing and pull wiring and bushing through the hole in the blower deck.

19. Remove the primary limit from the vestibule panel.
20. Remove top cap screws to allow top cap to be tilted upward to allow clearance for removing heat exchanger.
21. Remove two screws from the front cabinet flange at the blower deck. Spread cabinet sides slightly to allow clearance for removal of heat exchanger.
22. Remove screws along vestibule sides and bottom which secure vestibule panel and heat exchanger assembly to cabinet. Remove two screws from blower rails which secure bottom heat exchanger flange. Remove heat exchanger from furnace cabinet.
23. Back wash heat exchanger with soapy water solution or steam. If steam is used it must be below 275°F (135°C).
24. Thoroughly rinse and drain the heat exchanger. Soap solutions can be corrosive. Take care to rinse entire assembly.
25. Reinstall heat exchanger into cabinet making sure that the rear baffle of the heat exchanger assembly is nested under the support located at the rear of the cabinet. Remove the indoor blower to view this area through the blower opening.
26. Re-secure the supporting screws along the vestibule sides.
27. Reinstall blower assembly and reinstall two screws through rails.
28. Reinstall cabinet screws on front flange at blower deck.
29. Reinstall screws securing top cap.
30. Reinstall the primary limit on the vestibule panel.
31. Route heating component wiring through hole in blower deck and reinsert strain relief bushing.
32. Reinstall pressure switch and reconnect pressure switch wiring.
33. Carefully connect combustion air pressure switch hosing from pressure switch to proper stubs on cold end header collector box.
34. Reinstall 1/2" NPT (if removed) in the cold end header box. Reconnect drain tubing to collector box.
35. Reinstall condensate trap pipe. Reconnect condensate drain line to the condensate trap.
36. Reinstall electrical junction box.
37. Reinstall the combustion air inducer and flexible no hub connector. Reconnect the 2 pin plug to the wire harness.
38. Reconnect drain tubes between flue collar and cold end header box.
39. Secure burner assembly to vestibule panel using four existing screws. Burners are self aligning to center of clam shells.
40. Reconnect gas supply line to gas valve.
41. Reconnect flame rollout switch wires.
42. Reconnect sensor wire and reconnect 2 pin plug from ignitor.
43. Reconnect wires to gas valve.
44. Replace the blower compartment access panel.
45. Refer to instruction on verifying gas and electrical connections when reestablishing supplies.
46. Follow lighting instructions to light and operate furnace for 5 minutes to ensure that heat exchanger is clean and dry and that furnace is operating properly.
47. Replace heating compartment access panel.

### **Cleaning the Burner Assembly**

1. Turn off gas and electrical power to the furnace. Remove heating compartment access panel.
2. Disconnect the gas supply line from the gas valve.
3. Disconnect and label wires from gas valve.
4. Disconnect ignitor wiring at 2 circuit plug.
5. Disconnect and label wires from rollout switch.
6. Disconnect and label flame sensor wire.
7. Disconnect and label ground wire from burner/manifold assembly.
8. Remove four screws that secures burner/manifold assembly to vestibule. Remove the assembly and make note not to allow ignitor plate to dislodge from the assembly.
9. Gently clean the face of the burners using the soft brush attachment on a vacuum cleaner. Visually inspect the inside of the burners and crossovers for any blockage caused by foreign matter. Remove any blockage
10. Reinstall the burner/manifold assembly using the existing four screws. Burners are self aligning to center of clam shells.
11. Reconnect ground wire.
12. Reconnect flame sensor wire.
13. Reconnect rollout switch wires.
14. Reconnect ignitor wires.
15. Reconnect gas valve wires.
16. Reconnect gas supply line to gas valve.
17. Refer to instructions on verifying gas and electrical connections when re-establishing supplies.
18. Follow instructions to place furnace in operation. Run furnace 5 minutes to ensure burners are clean and operating correctly.
19. Replace heating compartment access panel.

## Planned Service

A service technician should check the following items during an annual inspection. Power to the unit must be shut off for safety.

**Fresh air grilles and louvers** (on the unit and in the room where the furnace is installed) - Must be open and unobstructed to provide combustion air.

**Burners** - Must be inspected for rust, dirt, or signs of water.

**Vent pipe** - Must be inspected for signs of water, cracked, damaged or sagging pipe, or disconnected joints.

**Unit appearance** - Must be inspected for rust, dirt, signs of water, burnt or damaged wires, or components.

**Blower access door** - Must be properly in place and provide a seal between the return air and the room where the furnace is installed.

**Return air duct** - Must be properly attached and provide an air seal to the unit.

**Operating performance** - Unit must be observed during operation to monitor proper performance of the unit and the vent system.

**Combustion gases** - Flue products should be analyzed and compared to the unit specifications.

Problems detected during the inspection may make it necessary to temporarily shut down the furnace until the items can be repaired or replaced.

**Instruct the homeowners to pay attention to their furnace.** Situations can arise between annual furnace inspections that may result in unsafe operation. For instance, items innocently stored next to the furnace may obstruct the combustion air supply. This could cause incomplete combustion and the production of carbon monoxide gas.

LED Status	Fault Description
LED Off	No power to control or control hardware fault detected
LED On	Normal operation
1 Flash	Flame present with gas valve off
2 Flashes	Pressure switch closed with inducer off
3 Flashes	Pressure switch open with inducer on
4 Flashes	High limit switch open
5 Flashes	Rollout switch open
6 Flashes	Pressure switch cycle lockout
7 Flashes	Lockout due to no ignition
8 Flashes	Lockout due to too many flame dropouts
9 Flashes	Incorrect line voltage phasing

Table 14. Diagnostic Codes

## Repair Parts List

The following repair parts are available through Allied Air dealers. When ordering parts, include the complete furnace model number listed on the CSA nameplate. All service must be performed by a licensed professional installer (or equivalent), service agency, or gas supplier.

### Cabinet Parts

- Upper Access Panel
- Blower Access Panel
- Top Cap

### Control Panel Parts

- Transformer
- Integrated Control Board
- Door Interlock Switch

### Blower Parts

- Blower Wheel
- Motor
- Motor Mounting Frame
- Motor Capacitor
- Blower Housing Cutoff Plate

### Heating Parts

- Flame Sensor
- Heat Exchanger Assembly
- Gas Manifold
- Combustion Air Inducer
- Gas Valve
- Main Burner Cluster
- Main Burner Orifices
- Pressure Switch
- Ignitor
- Primary Limit Control
- Flame Rollout Switches

# Requirements for Commonwealth of Massachusetts

## Modifications to NFPA-54, Chapter 10

### Revise NFPA-54 section 10.8.3 to add the following requirements:

For all side wall, horizontally vented, gas-fueled equipment installed in every dwelling, building or structure used in whole or in part for residential purposes, including those owned or operated by the Commonwealth and where the side wall exhaust vent termination is less than seven (7) feet above the finished grade in the area of the venting, including but not limited to decks and porches, the following requirements shall be satisfied:

1. **INSTALLATION OF CARBON MONOXIDE DETECTORS.** At the time of installation of the side wall, horizontally vented, gas-fueled equipment, the installing plumber or gas fitter shall observe that a hard-wired carbon monoxide detector with an alarm and battery backup is installed on the floor level where the gas equipment is to be installed. In addition, the installing plumber or gas fitter shall observe that a battery-operated or hard-wired carbon monoxide detector with an alarm is installed on each additional level of the dwelling, building or structure served by the side wall, horizontally vented, gas-fueled equipment. It shall be the responsibility of the property owner to secure the services of qualified licensed professionals for the installation of hard-wired carbon monoxide detectors.
  - a. In the event that the side wall, horizontally vented, gas-fueled equipment is installed in a crawl space or an attic, the hard-wired carbon monoxide detector with alarm and battery backup may be installed on the next adjacent floor level.
  - b. In the event that the requirements of this subdivision cannot be met at the time of completion of installation, the owner shall have a period of thirty (30) days to comply with the above requirements; provided, however, that during said thirty (30) day period, a battery-operated carbon monoxide detector with an alarm shall be installed.
2. **APPROVED CARBON MONOXIDE DETECTORS.** Each carbon monoxide detector as required in accordance with the above provisions shall comply with NFPA 720 and be ANSI/UL 2034 listed and IAS certified.
3. **SIGNAGE.** A metal or plastic identification plate shall be permanently mounted to the exterior of the building at a minimum height of eight (8) feet above grade directly in line with the exhaust vent terminal for the horizontally vented, gas-fueled heating appliance or equipment. The sign shall read, in print size no less than one-half (1/2) inch in size, **"GAS VENT DIRECTLY BELOW. KEEP CLEAR OF ALL OBSTRUCTIONS."**

4. **INSPECTION.** The state or local gas inspector of the side wall, horizontally vented, gas-fueled equipment shall not approve the installation unless, upon inspection, the inspector observes carbon monoxide detectors and signage installed in accordance with the provisions of 248 CMR 5.08(2)(a) 1 through 4.

### **EXEMPTIONS: The following equipment is exempt from 24 CMR 5.08(2)(a) 1 through 4:**

1. The equipment listed in Chapter 10 entitled "Equipment Not Required to Be Vented" in the most current edition of NFPA 54 as adopted by the Board; and
2. Product Approved side wall, horizontally vented, gas-fueled equipment installed in a room or structure separate from the dwelling, building or structure used in whole or in part for residential purposes.

### **MANUFACTURER REQUIREMENTS - GAS EQUIPMENT VENTING SYSTEM PROVIDED.**

When the manufacturer of Product Approved side wall, horizontally vented, gas-fueled equipment provides a venting system design or venting system components with the equipment, the instructions provided by the manufacturer for installation of the equipment and the venting system shall include:

1. Detailed instructions for the installation of the venting system design or the venting system components: and
2. A complete parts list for the venting system design or venting system.

### **MANUFACTURER REQUIREMENTS - GAS EQUIPMENT VENTING SYSTEM NOT PROVIDED.**

When the manufacturer of Product Approved sidewall, horizontally vented, gas-fueled equipment does not provide the parts for venting the flue gases, but identifies "special venting systems," the following requirements shall be satisfied by the manufacturer:

1. The referenced "special venting system" instructions shall be included with the appliance or equipment installation instructions; and
2. The "special venting systems" shall be Product Approved by the Board, and the instructions for that system shall include a parts list and detailed installation instructions.

**A copy of all installation instructions for all Product Approved side wall, horizontally vented, gas-fueled equipment, all venting instructions, all parts lists for venting instructions, and/or all venting design instructions shall remain with the appliance or equipment at the completion of the installation.**