

## Switch Boxes and Accessories

### Old-Work Box Support

- Quickly attaches box through finished drywall
- For up to 1½" thick drywall
- New 820D shipped in one-piece break-apart design
- Easy to install

| CAT. NO. | FIG. NO. | DESCRIPTION                               | STD. CTN. |
|----------|----------|---|-----------|
| 820D     | 1        | Old-work switch box steel-mounting holder | 500 sets  |

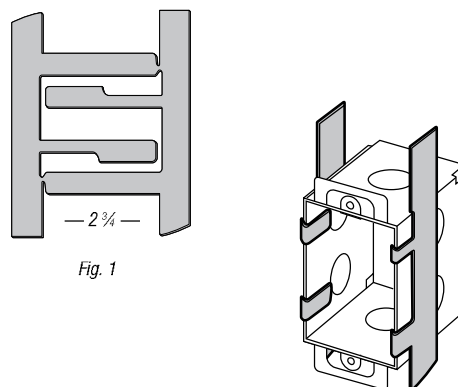


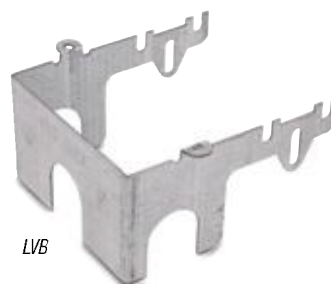
Fig. 1

### Steel Low-Voltage Bracket

- Fixes to the switch box easily with the screws provided
- Works with any Steel City® switch box, regardless of depth
- Single-screw fixing as well as two-screw fixing
- Low-voltage cable support is provided by fitting location tabs
- UL Listed for low-voltage support



| CAT. NO. | DESCRIPTION  | BOX DEPTH (IN.) | STD. CTN. |
|----------|--|-----------------|-----------|
| LVB      | Bracketed to T&B boxes; provides means of installing a low-voltage device alongside a regular switch or outlet | 1 1/8           | 25        |

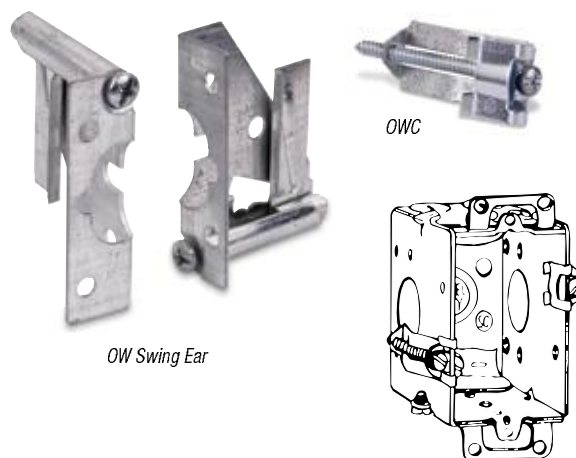


LVB

### Old-Work Box Support Clips

- Adapts to any wall thickness up to ¾"

| CAT. NO.     | DESCRIPTION   | STD. CTN.    |
|--------------|---|--------------|
| OWC          | Clips lock old-work steel switch boxes tightly to wall plaster, drywall, concrete block, brick or concrete. 2 required per box, (1 set) | 250 sets     |
| OW SWING EAR | Swing ears only (for field installations) with self-threading screws  | 50 (25 pair) |



OW Swing Ear