

Eaton

Residential loadcenter and circuit breakers

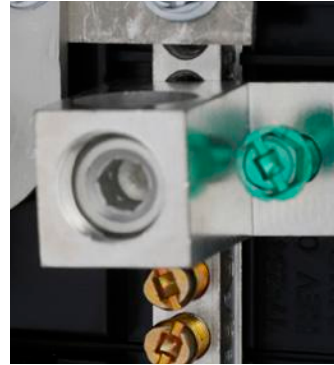
Installation tips

CH & BR plug-on neutral loadcenters and circuit breakers



Drywall offsets tabs

- For flush mount applications, utilize the drywall offsets at the top and bottom on both sides of the loadcenter.
- Push the tabs out 90 degrees so that they are perpendicular to the side of the loadcenter.
- When installing the loadcenter between studs, the tabs help provide the proper drywall offset.



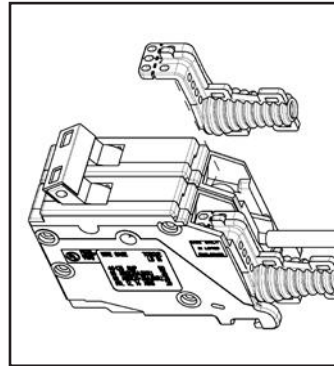
Green bonding screw

- The green bonding screw comes unthreaded.
- When required to bond the ground and neutral, thread the green bonding screw into case with 40 in-lbs of torque.
- For applications when the ground and neutral should not be bonded, it is recommended that the green screw is removed entirely and discarded.



Keyhole hanging feature

- Take advantage of the keyhole hanging feature for an easy and hassle free cover installation.
 - Place the top two cover screws in the loadcenter case holes. Then, align the top two cover keyholes with the top two cover screws to easily hang the cover.
 - The cover keyhole hanging feature also works for bottom feed applications.



Main breaker loadcenters and terminal insulators

- Install terminal insulators to the service entry cable and line-side lugs of the main breaker device.
- All 225A and smaller main breaker loadcenters ship from the factory with a terminal insulator kit.
- The terminal insulator kit will need to be purchased separately for main breaker loadcenters greater than 225A.



Torque rating

- The torque rating information can be found on the loadcenter PUB. Refer to the chart on the PUB for the specific torque value required. After referencing the chart, use a torque wrench to torque to the specified value.



Ordering a convertible loadcenter

- To order a convertible loadcenter, select a loadcenter catalog number with "N" or "E" as the main device designation.
- "N" indicates convertible loadcenter with no main device installed at factory.
- "E" indicates convertible loadcenter with main lugs installed.

EATON

Powering Business Worldwide



BR plug-on neutral (PON) circuit breaker installation tips

Please follow these specific steps when installing Eaton's BR PON circuit breakers.

- Align the breaker "FIN" with loadcenter "SLOT":
 - Please refer to figure 1.
- Rock the breaker back ~45° and insert "FOOT" into backpan.
 - Please refer to figure 2.
- While pulling the breaker towards the backpan slot, rotate down to lock into place.
 - Please refer to figure 3.

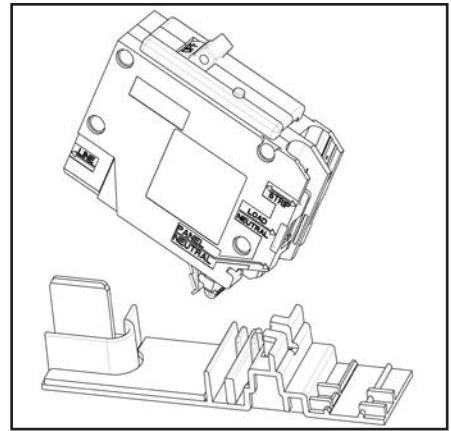


Figure 1

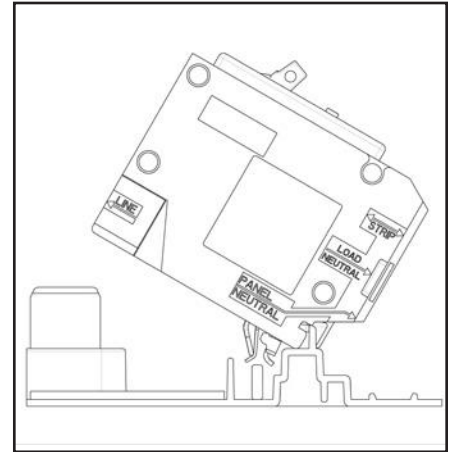


Figure 2

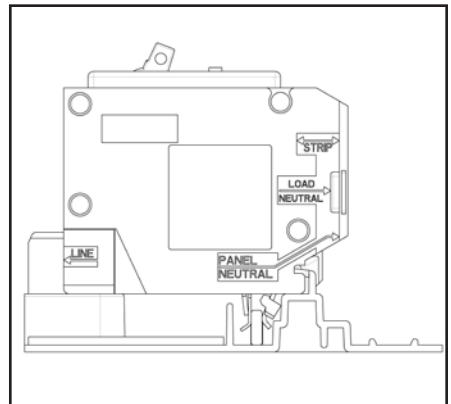


Figure 3



Eaton's "Rock 'N' Lock" feature provides a safe and secure connection by easily rocking the breaker clip onto the redesigned in-board neutral.

Please note: Install long-body BR breakers (2 pole GFCI, 2 pole AFCI, or surge) towards the bottom of the BR plug-on neutral loadcenters below the twin neutral bars.



CH plug-on neutral (PON) circuit breaker installation tips

Please follow these specific steps when installing Eaton's CH PON circuit breakers, across from one another.

- Firmly press the load-side of each breaker all the way down onto the neutral bar.
- Once the load-side of each breaker is securely attached to the neutral bar, push down on the line-side of each breaker attaching it to the bus-stab. This makes for a complete connection to the bus.
 - For the line-side, it is recommended to push down on each breaker at the same time.
- Verify the load-side meets the neutral bar, and the line-side is centered within the loadcenter.
 - Please refer to figures 1 and 2.
- Once confirmed the CH PON breakers have a secure connection to the neutral bars and bus stabs, the CH loadcenter deadfront and cover can be installed.

Please note: As stated on all CH PON loadcenter interior labels (figure 3), the neutral bar screws are not to be backed out, and the wire is not to be installed in the neutral bar terminals beneath the CH PON breakers. **Failure to follow this specific instruction may prevent proper installation.**

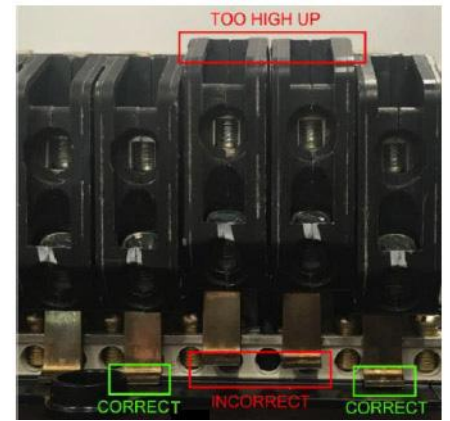


Figure 1

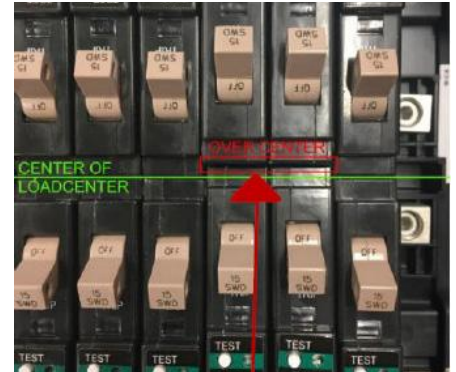


Figure 2

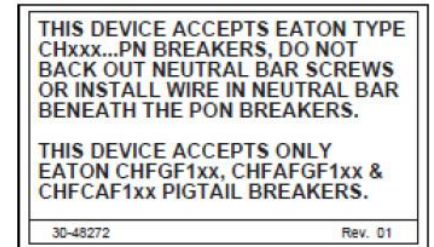


Figure 3

We make what matters work.*

- * At Eaton, we believe that power is a fundamental part of just about everything people do. Technology, transportation, energy and infrastructure-these are things the world relies on every day. That's why Eaton is dedicated to helping our customers find new ways to manage electrical, hydraulic and mechanical power more efficiently, safely and sustainably. To improve people's lives, the communities where we live and work, and the planet our future generations depend upon. Because that's what really matters. And we're here to make sure it works.

See more at [Eaton.com/whatmatters](https://www.eaton.com/whatmatters)

Eaton
1000 Eaton Boulevard
Cleveland, OH 44122
United States
[Eaton.com](https://www.eaton.com)

© 2019 Eaton
All Rights Reserved
Publication No. PA003024EN
Printed in USA
April 2019

Eaton is a registered trademark.

All other trademarks are property
of their respective owners.

Follow us on social media to get the
latest product and support information.

