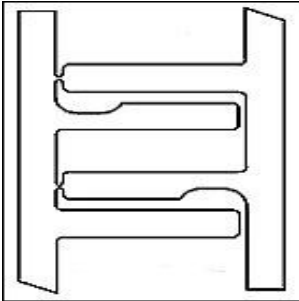




Site Search: >>

Home About Us Products Price Lists Library ERICO Partners Software & Downloads Contact Us

You are here: [ERICO International](#) : [Products](#) : [CADDY® Fasteners - Electrical](#) : [Drywall](#) : CADDY® Old Work Box Mount [Change Country](#)



CADDY® Old Work Box Mount



[Where to buy](#) [Printer friendly](#)

ERICO offers the CADDY Old Work Box Mount.

Supporting Information

- CADDY DS12A demo video (Apple iPod)
- CADDY DS12A demo video (Windows Media Player)
- CADDY DSB demo video (Apple iPod)
- CADDY DSB demo video (Windows Media Player)
- CADDY Electrical and Low Voltage/Datacomm Fasteners 2007

Features

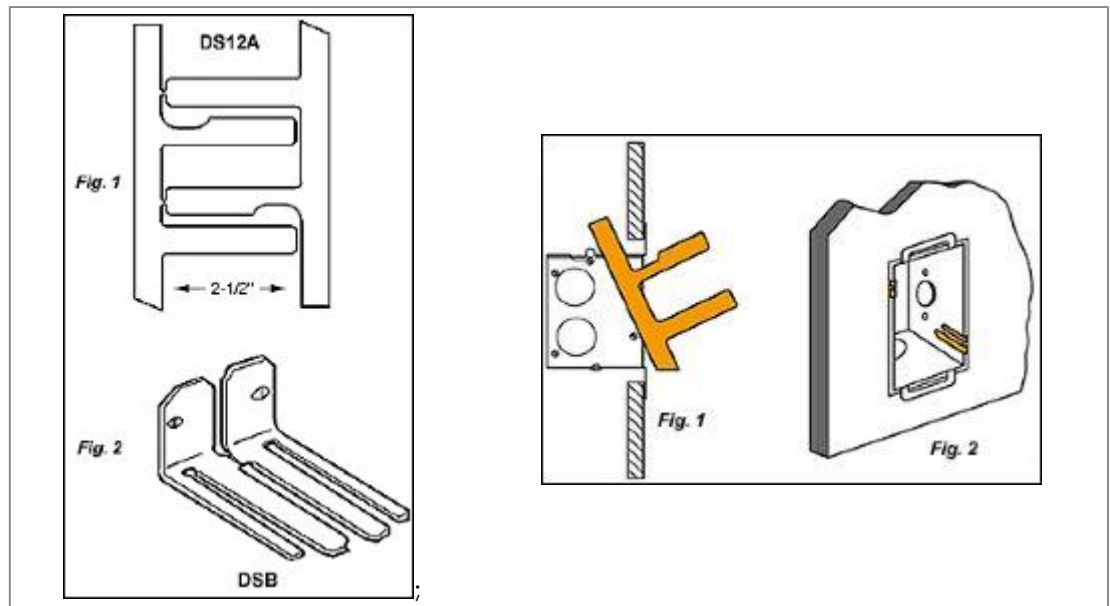
- | One-piece, break-apart design is easier to handle
- | Fastener installs before the box to free up your hands
- | Accomodates single or multiple gang boxes; for multiple gang boxes, use 2 DSBs
- | Can be placed at different locations on an electrical box to allow for more clearance

Applications

Works on drywall, lathe and plaster - only a drywall saw required.

More Information

Product Available In:
North America
Latin America



Catalog No.	Fig No.	Wall Thickness	Std Box Qty
DS12A	1	Up to 1-1/2"	100 Sets
DSB	2	1/4" to 1-1/4"	100 Sets

No Load Rating - Positioning Only

Copyright © 2008 ERICO International Corporation. [Privacy and Legal Statements](#) · [Top of Page](#)