

Installation Manual

Installation and Appliance Setup

CAUTION! Risk of Fire! DO NOT store instruction manuals inside fireplace cavity. High temperatures could cause a fire.

INSTALLER: Leave this manual with the appliance, not inside the appliance.

CONSUMER: Retain this manual for future reference. Do not store inside the appliance

NOTICE: DO NOT discard this manual!

HEAT & GLO®

No one builds a better fire

Models:

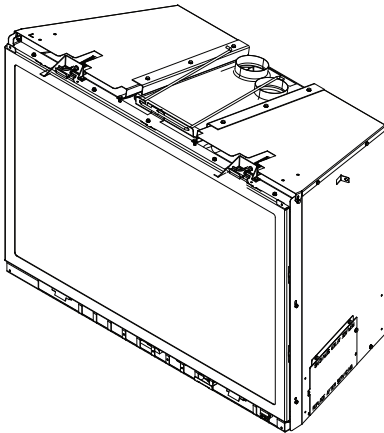
ESCAPE-30-IFT

ESCAPE-30LP-IFT

ESCAPE-35-IFT

ESCAPE-35LP-IFT

GAS-FIRED



This appliance may be installed as an OEM installation in manufactured home (USA only) or mobile home and must be installed in accordance with the manufacturer's instructions and the *Manufactured Home Construction and Safety Standard, Title 24 CFR, Part 3280* in the United States, or the *Standard for Installation in Mobile Homes, CAN/CSA Z240 MH Series*, in Canada.

This appliance is only for use with the type(s) of gas indicated on the rating plate. This appliance is not convertible for use with other gases, unless a certified kit is used.

⚠ WARNING:

FIRE OR EXPLOSION HAZARD

Failure to follow safety warnings exactly could result in serious injury, death, or property damage.

- **DO NOT** store or use gasoline or other flammable vapors and liquids in the vicinity of this or any other appliance.
- **What to do if you smell gas**
 - **DO NOT** try to light any appliance.
 - **DO NOT** touch any electrical switch. **DO NOT** use any phone in your building.
 - Leave the building immediately.
 - Immediately call your gas supplier from a neighbor's phone. Follow the gas supplier's instructions.
 - If you cannot reach your gas supplier, call the fire department.
- Installation and service must be performed by a qualified installer, service agency, or the gas supplier.

⚠ DANGER



HOT GLASS WILL CAUSE BURNS.

DO NOT TOUCH GLASS UNTIL COOLED.

NEVER ALLOW CHILDREN TO TOUCH GLASS.

A barrier designed to reduce the risk of burns from the hot viewing glass is provided with this appliance and must be installed for the protection of children and other at-risk individuals.

▲ Safety Alert Key:

- **DANGER!** Indicates a hazardous situation which, if not avoided will result in death or serious injury.
- **WARNING!** Indicates a hazardous situation which, if not avoided could result in death or serious injury.
- **CAUTION!** Indicates a hazardous situation which, if not avoided, could result in minor or moderate injury.
- **NOTICE:** Used to address practices not related to personal injury.

Note: The term “recommend” or “recommended” does not indicate a requirement. It is a best practice suggested by Hearth & Home Technologies®.

Table of Contents

Installation Standard Work Checklist	3
--	---

1 Product Specific and Important Safety Information

A. Appliance Certification	4
B. Glass Specifications	4
C. BTU Specifications	4
D. High Altitude Installations	4
E. Non-Combustible Materials Specification	4
F. Combustible Materials Specification	4
G. Electrical Codes	4
H. California	4

2 Getting Started

A. Design and Installation Considerations	5
B. Tools and Supplies Needed	5
C. Inspect Appliance and Components	5

3 Framing and Clearances

A. Appliance/Decorative Barrier Front Dimension Diagram . .	6
---	---

4 Fireplace Size Requirements

A. Minimum Fireplace Opening	10
B. Wall Extension	12

5 Termination Location and Vent Information

A. Vent Termination Minimum Clearances	14
--	----

6 Installation Preparation

A. Cleaning	15
B. Flue Damper	15
C. Gas Line	15
D. Fireplace Conversion Notice	15
E. Electrical Outlet Box	15

7 Installing Vent Pipe and Appliance

A. Vent Limits	16
B. Venting Components	16
C. Connecting Vent Pipe	17
D. Placing, Securing and Leveling the Appliance	18
E. Installing Adaptor and Termination Cap	19

8 Electrical Information

A. General Information	21
B. Wiring Requirements - IntelliFire Touch® Ignition System Wiring	22

9 Gas Information

A. Fuel Conversion	24
B. Gas Pressure	24
C. Gas Connection	24
D. High Altitude Installations	24
E. Air Shutter Setting	25

10 Finishing

A. Mantel and Wall Projections	26
→ B. Hearth Extension / Vinyl Flooring	27

11 Appliance Setup

A. Fixed Glass Assembly	28
B. Remove the Shipping Materials	29
C. Inspect Firebox	29
D. Clean the Appliance	29
E. Accessories	29
F. Place the Lava Rock	30
G. Ember Placement	30
H. Install the Log Assembly and Glass Rock	30
I. IntelliFire Touch Control System Setup	37
J. Install Decorative Barrier Front/Surround	37
K. Appliance Break-In	37
L. Heat Management	38

12 Reference Materials

A. Vent Components	39
B. Accessories	40

→ = Contains updated information.

Installation Standard Work Checklist

ATTENTION INSTALLER: Follow this Standard Work Checklist

This standard work checklist is to be used by the installer in conjunction with, not instead of, the instructions contained in this installation manual.

Customer: _____
Lot/Address: _____

Date Installed: _____
Location of Fireplace: _____

Model (circle one): ESCAPE-30-IFT ESCAPE-30LP-IFT
ESCAPE-35-IFT ESCAPE-35LP-IFT

Installer: _____
Dealer/Distributor Phone # _____
Serial #: _____

WARNING! Risk of Fire or Explosion! Failure to install appliance according to these instructions can lead to a fire or explosion.

Appliance Install

	YES	IF NO, WHY?
Verify fireplace is clean and remove/block open damper/modify damper for vent pipe clearance (Pg. 14) .	<input type="checkbox"/>	
Appliance is leveled and secured (Pg. 18).	<input type="checkbox"/>	

Venting/Chimney Section 7 (Pg. 16-19)

Exhaust stainless steel flex is properly formed and routed through existing fireplace damper.	<input type="checkbox"/>	
Vent intake and exhaust liners are properly installed to the correct collars, sealed and secured to top plate and to the termination cap.	<input type="checkbox"/>	
Termination cap installed, secured and sealed to top plate.	<input type="checkbox"/>	

Electrical Section 8 (Pg. 11-22)

Unswitched power (110-120 VAC) provided to the appliance.	<input type="checkbox"/>	
Switch wires properly installed.	<input type="checkbox"/>	

Gas Section 9 (Pg. 24-25)

Proper appliance for fuel type.	<input type="checkbox"/>	
Was a conversion performed?	<input type="checkbox"/>	
Leak check performed and inlet pressure verified.	<input type="checkbox"/>	
Verified proper air shutter setting for installation type.	<input type="checkbox"/>	

Finishing Section 10 (Pg. 26-27)

Combustible materials not installed in non-combustible areas.	<input type="checkbox"/>	
Verified all clearances meet installation manual requirements.	<input type="checkbox"/>	
Mantels and wall projections comply with installation manual requirements.	<input type="checkbox"/>	

Appliance Setup Section 11 (Pg. 28-38)

All packaging and protective materials removed (inside & outside of appliance).	<input type="checkbox"/>	
Refractories, logs, media and embers installed correctly.	<input type="checkbox"/>	
Glass assembly installed and secured.	<input type="checkbox"/>	
Accessories installed properly.	<input type="checkbox"/>	
Surround or decorative front properly installed.	<input type="checkbox"/>	
Manual bag and all of its contents are removed from inside/under the appliance and given to party responsible for use and operation.	<input type="checkbox"/>	
Fireplace warning plate is attached to the existing woodburning fireplace.	<input type="checkbox"/>	
Remote control is programmed, functions verified using remote control instructions.	<input type="checkbox"/>	
Started appliance and verified no gas leaks exist.	<input type="checkbox"/>	

Hearth & Home Technologies recommends the following:

- Photographing the installation and copying this checklist for your file.
- That this checklist remain visible at all times on the appliance until the installation is complete.

Comments: Further description of the issues, who is responsible (Installer/ Builder/ Other Trades, etc) and corrective action needed _____

Comments Communicated to party responsible _____ by _____ on _____
(Builder / Gen. Contractor/) (Installer) (Date)

➔ = Contains updated information.

2550-982B 9/21

1 Product Specific and Important Safety Information

A. Appliance Certification

MODELS: ESCAPE-30-IFT ESCAPE-30LP-IFT, ESCAPE-35-IFT, ESCAPE-35LP-IFT
LABORATORY: Underwriters Laboratories, Inc. (UL)
TYPE: Direct Vent Heater
STANDARD: ANSI Z21.88-2019 CSA 2.33-2019

This product is listed to ANSI standards for “Vented Gas Fireplace Heaters” and applicable sections of “Gas Burning Heating Appliances for Manufactured Homes and Recreational Vehicles”, and “Gas Fired Appliances for Use at High Altitudes”.

NOTICE: This installation must conform with local codes. In the absence of local codes you must comply with the National Fuel Gas Code, ANSI Z223.1-latest edition in the U.S.A. and the CAN/CGA B149 Installation Codes in Canada.

NOT INTENDED FOR USE AS A PRIMARY HEAT SOURCE. This appliance is tested and approved as either supplemental room heat or as a decorative appliance. It should not be factored as primary heat in residential heating calculations.

B. Glass Specifications

This appliance is equipped with ceramic glass with an anti-reflective coating. Replace glass only with ceramic glass. Please contact your dealer for replacement glass.

C. BTU Specifications

Models (U.S. or Canada)		Maximum Input BTU/h	Minimum Input BTU/h	Orifice Size (DMS)
ESCAPE-30-IFT (NG)	(0-2000 FT)	36,000	18,500	33
ESCAPE-30LP-IFT (Propane)	(0-2000 FT)	36,000	19,000	50
ESCAPE-35-IFT (NG)	(0-2000 FT)	40,000	20,000	31
ESCAPE-35LP-IFT (Propane)	(0-2000 FT)	38,000	19,000	49

D. High Altitude Installations

NOTICE: If the heating value of the gas has been reduced, these rules do not apply. Check with your local gas utility or authorities having jurisdiction.

When installing above 2000 feet elevation:

- In the USA: Reduce input rate 4% for each 1000 feet above 2000 feet.
- In CANADA: Input ratings are certified without a reduction of input rate for elevations up to 4500 feet (1370 m) above sea level. Please consult provincial and/or local authorities having jurisdiction for installations at elevations above 4500 feet (1370 m).

Check with your local gas utility to determine proper orifice size.

E. Non-Combustible Materials Specification

Material which will not ignite and burn. Such materials are those consisting entirely of steel, iron, brick, tile, concrete, slate, glass or plasters, or any combination thereof.

Materials that are reported as passing **ASTM E 136, Standard Test Method for Behavior of Materials in a Vertical Tube Furnace at 750 °C** shall be considered non-combustible materials.

F. Combustible Materials Specification


Materials made of or surfaced with wood, compressed paper, plant fibers, plastics, or other material that can ignite and burn, whether flame proofed or not, or plastered or unplastered shall be considered combustible materials.

G. Electrical Codes

NOTICE: This appliance must be electrically wired and grounded in accordance with local codes or, in the absence of local codes, with **National Electric Code ANSI/NFPA 70-latest edition or the Canadian Electric Code CSA C22.1.**

- A 110-120 VAC circuit for this product must be protected with ground-fault circuit-interrupter protection, in compliance with the applicable electrical codes, when it is installed in locations such as in bathrooms or near sinks.

H. California

 **WARNING:** This product and the fuels used to operate this product (liquid propane or natural gas), and the products of combustion of such fuels, can expose you to chemicals including benzene, which is known to the State of California to cause cancer and reproductive harm. For more information go to: www.P65Warnings.ca.gov.

2 Getting Started

A. Design and Installation Considerations

WARNING! Risk of Fire or Explosion! Read all instructions before starting the installation.

Gas inserts are designed for installations into solid fuel masonry or UL127 listed factory built fireplaces. No additional outside air source is required.

Installation MUST comply with local, regional, state and national codes and regulations. Consult insurance carrier, local building inspector, fire officials or authorities having jurisdiction over restrictions, installation inspection and permits.

Prior to installing the gas insert:

- Ensure chimney is constructed of non-combustible materials.
- Ensure chimney is clean and in good working order.
- Ensure that all chimney cleanouts fit properly to prevent air leakage into chimney.
- Ensure combustible mantel and surround clearances comply with insert requirements.
- Ensure all joints are properly engaged and the chimney is properly secured.
- Determine minimum fireplace size. See Section 4.A.
- Determine gas supply piping requirements.
- Determine electrical wiring requirements.
- Determine finishing details.
- Determine whether optional accessories—devices such as a wall switch or remote control—are desired.

Installation and service of this appliance should be performed by qualified personnel. Hearth & Home Technologies recommends HHT Factory Trained or NFI certified professionals.



Improper installation, adjustment, alteration, service or maintenance can cause injury or property damage. For assistance or additional information, consult a qualified service technician, service agency or your dealer.

B. Tools and Supplies Needed

Before beginning the installation be sure that the following tools and building supplies are available.

- | | |
|--------------|-----------------------------------|
| Tape measure | Pliers |
| Hammer | Phillips screwdriver |
| Voltmeter | Electric drill and bits (1/4 in.) |
| Gloves | Safety glasses |
| Level | Reciprocating saw |
| Manometer | Flat blade screwdriver |
- Noncorrosive leak check solution
1/2 - 3/4 in. length, #6 or #8 Self-drilling screws
Caulking material (300 °F minimum continuous exposure rating)

C. Inspect Appliance and Components

- Carefully remove the appliance and components from the packaging.
- The vent system components and decorative barrier fronts may be shipped in separate packages.
- If packaged separately, the log set and appliance grate must be installed.
- Report to your dealer any parts damaged in shipment, particularly the condition of the glass.
- This product is factory-equipped with an IntelliFire Touch remote control, which was paired to the appliance at the factory. This specific remote control needs to remain with the contents of the manual bag. Do not install batteries in the remote control until performing the final appliance setup and checklist.
- **Read all of the instructions before starting the installation. Follow these instructions carefully during the installation to ensure maximum safety and benefit.**

WARNING! Risk of Fire or Explosion! Damaged parts could impair safe operation. **DO NOT** install damaged, incomplete or substitute components. Keep appliance dry.

Hearth & Home Technologies disclaims any responsibility for, and the warranty will be voided by, the following actions:

- Installation and use of any damaged appliance or vent system component.
- Modification of the appliance or vent system.
- Installation other than as instructed by Hearth & Home Technologies.
- Improper positioning of the gas logs or the glass door.
- Installation and/or use of any component part not approved by Hearth & Home Technologies.

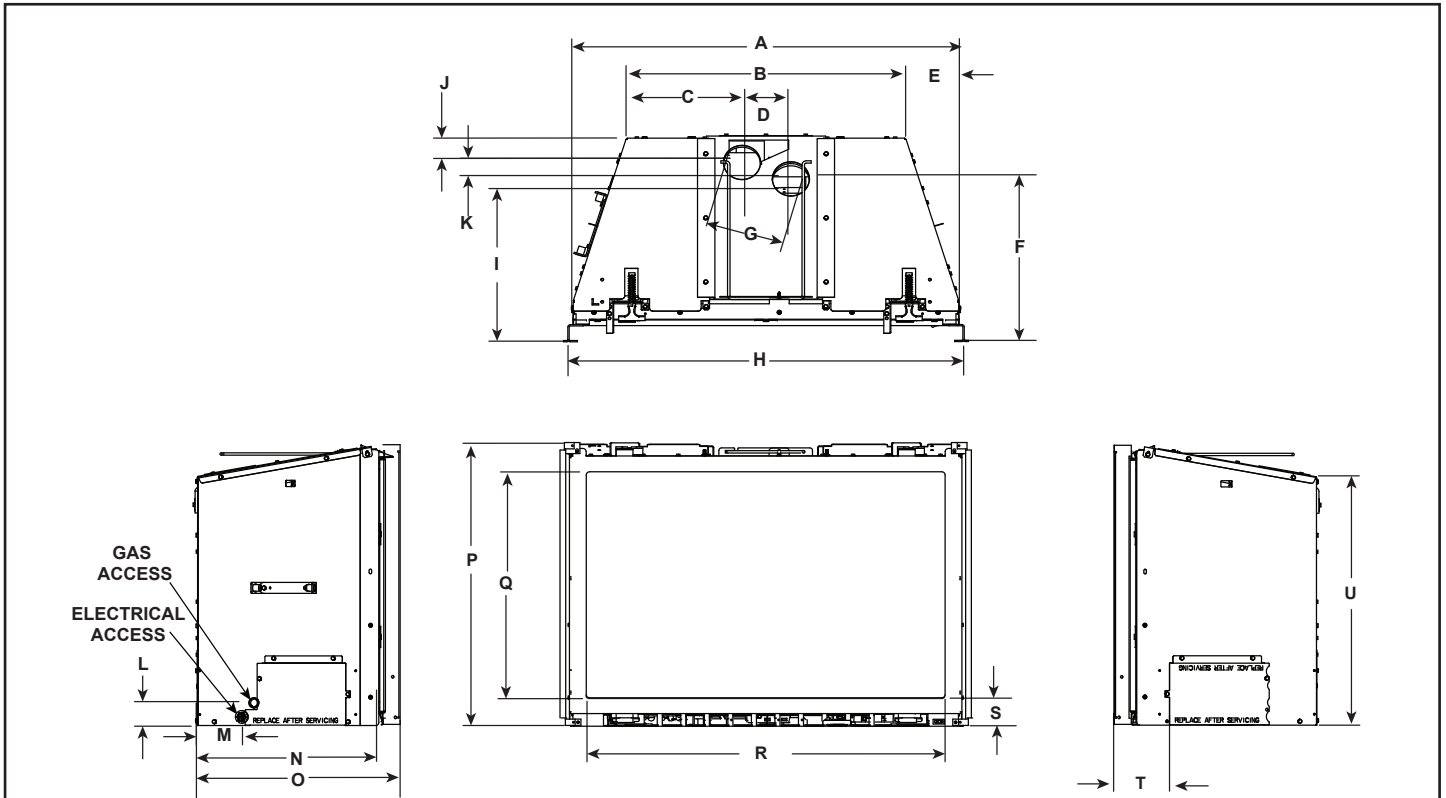
Any such action could cause a fire hazard.

WARNING! Risk of Fire, Explosion or Electric Shock! **DO NOT** use this appliance if any part has been under water. Call a qualified service technician to inspect the appliance and to replace any part of the control system and/or gas control which has been under water.

3 Framing and Clearances

A. Appliance/Decorative Barrier Front Dimension Diagram

Dimensions are actual appliance dimensions. Use for reference only. For framing dimensions and clearances refer to Section 4.



MODEL DIMENSIONS				
Location	ESCAPE-35-IFT ESCAPE-35LP-IFT		ESCAPE-30-IFT ESCAPE-30LP-IFT	
	Inches	Millimeters	Inches	Millimeters
A	33-13/16	859	29-3/8	746
B	25	635	21	533
C	10-11/16	271	8-11/16	221
D	3-11/16	94	3-11/16	94
E	4-3/8	111	4-1/4	108
F*	14-3/4	375	13-1/4	337
G	6-3/4	172	6-3/4	172
H*	34-5/8	880	30	762
I*	13-3/8	340	11-7/8	302
J	1-7/8	48	1-7/8	48
K	1-5/16	33	1-5/16	33

MODEL DIMENSIONS				
Location	ESCAPE-35-IFT ESCAPE-35LP-IFT		ESCAPE-30-IFT ESCAPE-30LP-IFT	
	Inches	Millimeters	Inches	Millimeters
L	2-1/8	54	2-1/8	54
M	5-3/4	146	4-1/2	114
N	16-5/8	422	15-1/8	384
O*	17-7/8	454	16-3/8	416
P	24-3/8	619	22-3/8	568
Q	19-7/8	505	17-7/8	454
R	31-3/8	797	26-11/16	678
S	2-5/16	59	2-1/4	57
T	4-1/4	108	4	101
U	21-3/4	552	20	508

*Dimensions H, O, F and I are measured to the surround brackets.

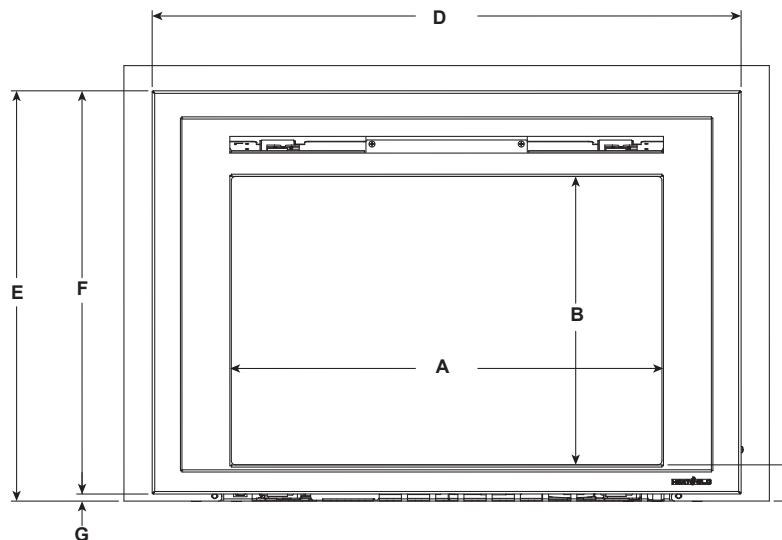
Note: Location N is measuring the appliance depth, for installation depth reference see Figure 4.2.

Figure 3.1 Appliance Dimensions

FIRESCREEN DECORATIVE BARRIER FRONTS

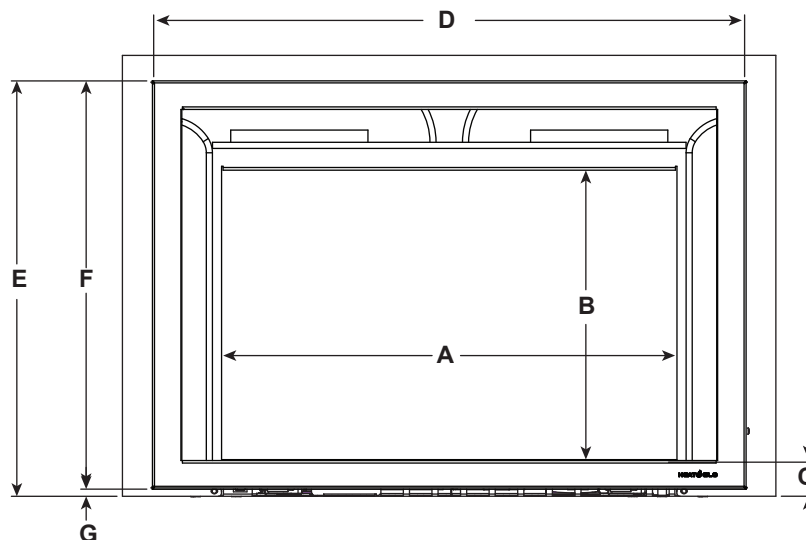
IMPORTANT! This fireplace requires an installed decorative barrier front to prevent direct contact with the hot viewing glass. **DO NOT** operate the fireplace with the barrier removed.

Decorative barrier front must be ordered at time of fireplace purchase. If decorative barrier front is not present, contact dealer.



		A	B	C	D	E	F	G
FS-FB30-XX	in.	28	17-3/4	2-9/16	36-1/2	25-3/4	25	3/4
	mm	711	451	65	927	654	635	19
FS-FB35-XX	in.	30	19-7/8	2-9/16	38-1/2	27-3/4	27	3/4
	mm	762	505	65	978	705	686	19

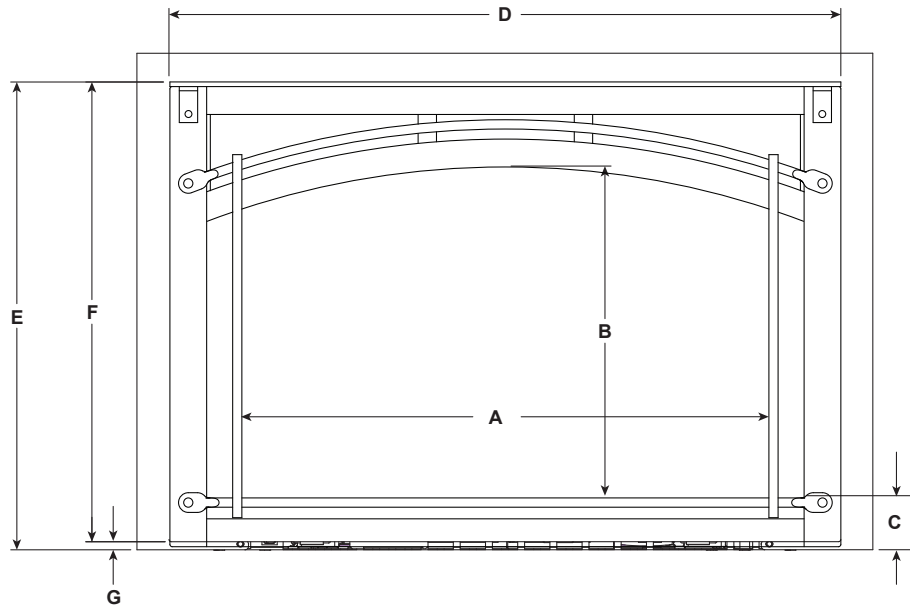
IRON AGE DECORATIVE BARRIER FRONTS



		A	B	C	D	E	F	G
IA-FB30-XX	in.	28	17-3/4	2-9/16	36-1/2	25-3/4	25	3/4
	mm	711	451	65	927	654	635	19
IA-FB35-XX	in.	30	19-7/8	2-9/16	38-1/2	27-3/4	27	3/4
	mm	762	505	65	978	705	686	19

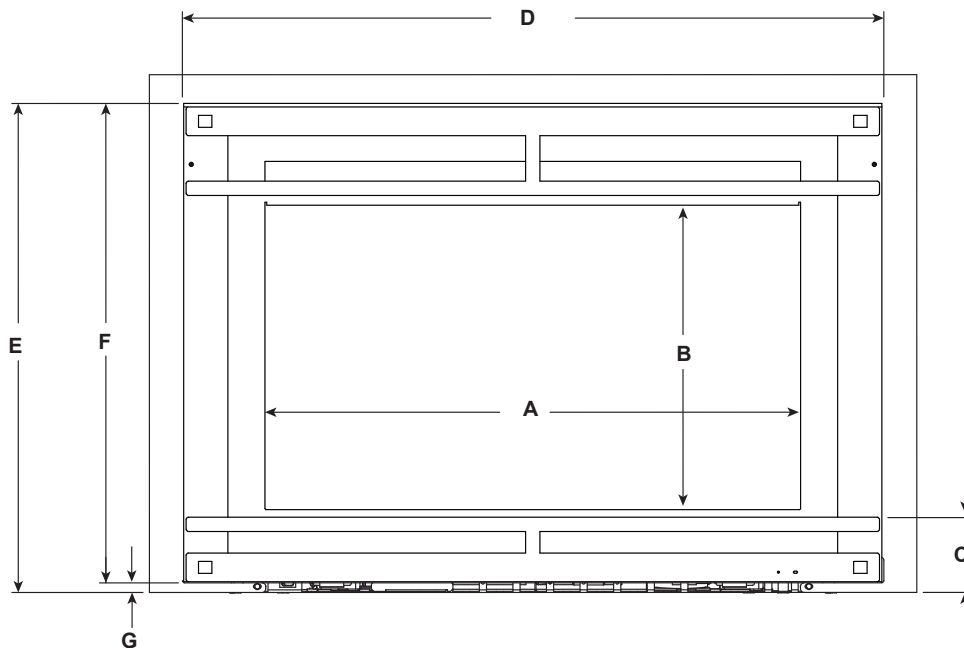
Figure 3.2 Decorative Barrier Front Dimensions - Firescreen and Iron Age

CHATEAU FORGE DECORATIVE BARRIER FRONTS



		A	B	C	D	E	F	G
CHAF-FB30	in.	28-11/16	17-15/16	3-1/4	36-1/2	25-3/4	25	3/4
	mm	729	456	83	927	654	635	19
CHAF-FB35	in.	30-13/16	19-13/16	3-3/8	38-1/2	27-3/4	27	3/4
	mm	783	503	86	978	705	686	19

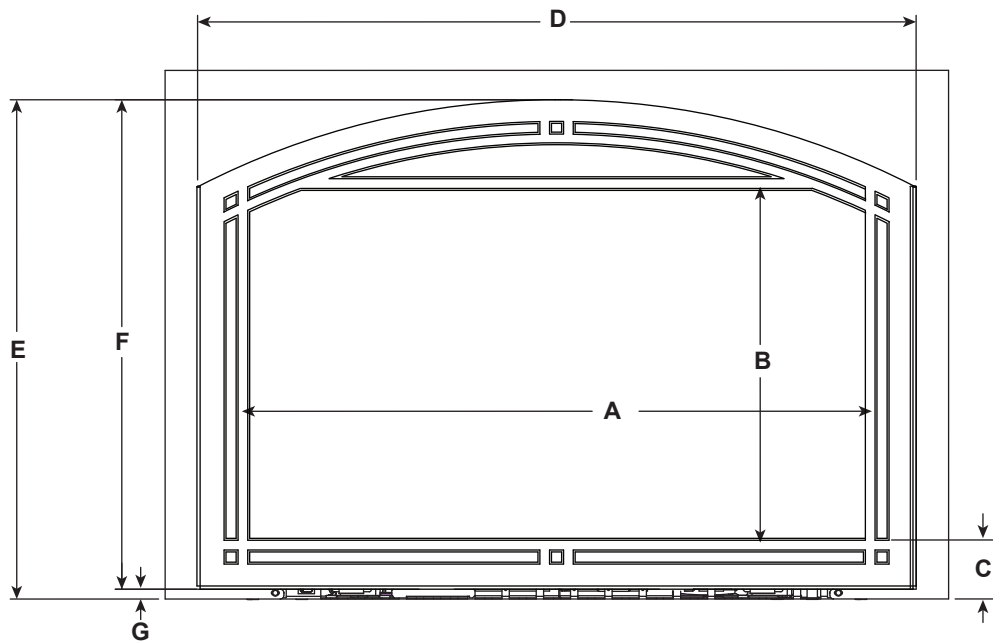
HALSTON DECORATIVE BARRIER FRONTS



		A	B	C	D	E	F	G
HAL-FB30-XX	in.	28	16-7/16	4-1/2	36-1/2	25-3/4	25	3/4
	mm	711	418	114	927	654	635	19
HAL-FB35-XX	in.	30	18-7/16	4-1/2	38-1/2	27-3/4	27	3/4
	mm	762	468	114	978	705	686	19

Figure 3.3 Decorative Barrier Front Dimensions - Chateau Forge and Halston

GALLERIA DECORATIVE BARRIER FRONTS



		A	B	C	D	E	F	G
GAL-FB30-XX	in.	31-13/16	17-7/8	3-5/16	37-1/8	25-3/4	25-3/16	3/4
	mm	808	454	84	942	654	640	19
GAL-FB35-XX	in.	33-15/16	20	3-3/8	38-15/16	28-13/16	28-1/16	3/4
	mm	862	508	86	989	732	713	19

Figure 3.4 Decorative Barrier Front Dimensions - GALLERIA

4 Fireplace Size Requirements

A. Minimum Fireplace Opening

Minimum fireplace opening requirements are shown in Figure 4.2.

WARNING! Risk of Fire or Burns! Provide adequate clearance around air openings and for service access. **Due to high temperatures, the appliance should be located out of traffic and away from furniture and draperies.**

Minimum fireplace opening requirements for factory-built fireplaces.

- The firebrick (refractory), glass doors, screen rails, screen mesh and log grates can be removed from a factory built firebox in order to gain minimum gas insert opening requirements.
- Any smoke shelves, shields and baffles may be removed from the factory built firebox if attached with mechanical fasteners.
- The appliance may not be placed directly on the base of the outer wrap, a 1/4 in. airspace **MUST** be provided between the insert and the floor of the outer wrap. Use the levelling legs to raise the insert a minimum of 1/4 in.. The original fireplace may never be returned to solid fuel in this condition. The sidewalls and top structure of the firebox may not be altered with the exception of removable baffles and dampers.

- The metal floor of the factory-built fireplace may be removed to facilitate the installation of the insert.
- Cutting of any sheet metal parts of the fireplace in which the gas fireplace insert is to be installed is prohibited, except the floor as tested for and as noted above and in Figure 4.1-B.
- A minimum 1/2 in. gap from the bottom of the appliance to the metal floor of the factory-built firebox is **RECOMMENDED** to avoid fan motor resonance noise. See side view in Figure 4.1-A.
- If the recommended 1/2 in. leveling leg height can not be achieved, a section of the factory-built metal floor may be removed. See Figure 4.1-B and see Section 10.A for clearance under appliance.

Note: The metal warning plate, noting that the factory-built fireplace has been converted for use with a gas fireplace insert, must be affixed to the appliance. It is included in the manual bag assembly.

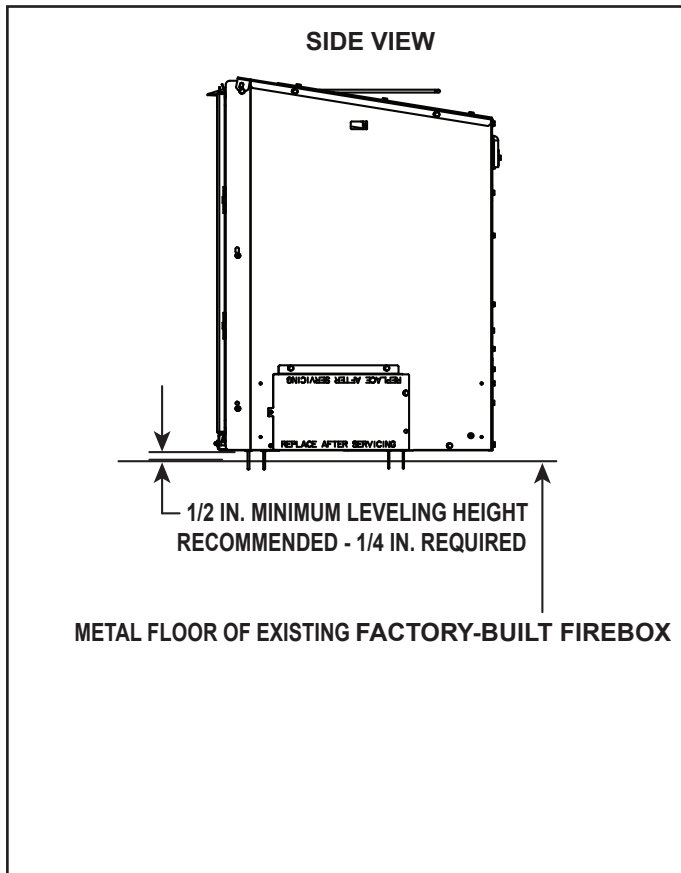


Figure 4.1-A

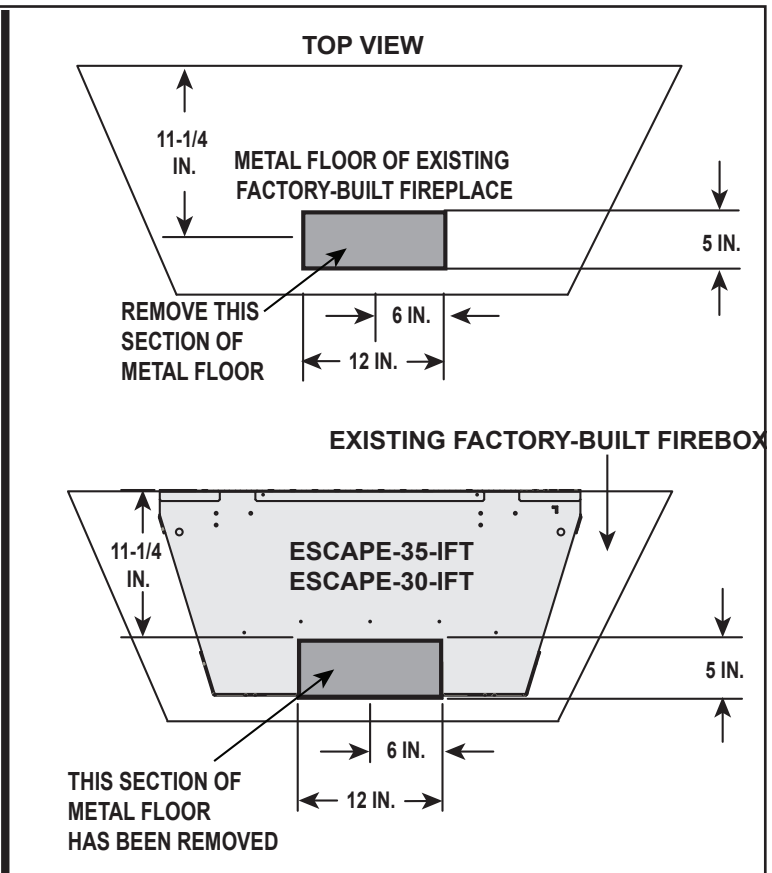
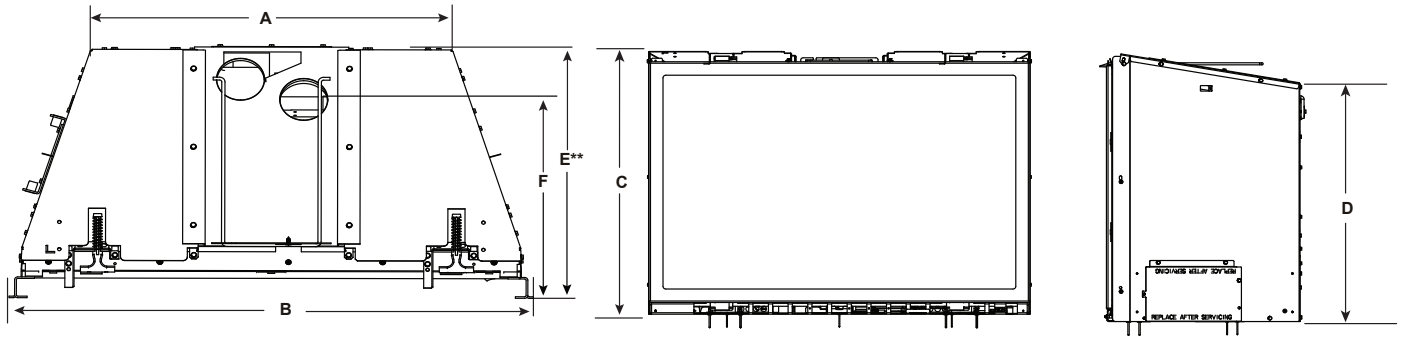


Figure 4.1-B



MINIMUM FIREBOX OPENING SIZE					
Location		ESCAPE-35-IFT ESCAPE-35LP-IFT		ESCAPE-30-IFT ESCAPE-30LP-IFT	
		Inches	Millimeters	Inches	Millimeters
A	Rear Width	25-1/2	648	21-1/2	546
B	Front Width	35-1/8	892	30-1/2	775
C	Height-Front	24-5/8	625	22-5/8	575
D	Height-Rear	22-1/4	565	20-1/2	521
E**	Unit Depth	18-1/8	460	16-5/8	422
F	Venting Depth	13-3/8	340	11-7/8	302

* Note: If exhaust collar on insert and fireplace damper do not line up, add 4 Inches (102 mm) to minimum fireplace height for bends in vent pipe.

**Unit depth is measured to the back of the surround to give the depth needed for installation.

In addition to these dimensions, also reference Clearances and Mantel Projections (Section 10.A)

Figure 4.2 Fireplace Opening

B. Wall Extension

Surrounds **MUST** overlap wall extension.

A non-combustible wall extension can be used to cover an existing masonry surface. Wall extensions are typically used to improve cosmetics.

WARNING! Risk of Fire! Comply with all minimum clearances to combustibles as specified. Framing or finishing material closer than the minimums listed must be constructed entirely of noncombustible materials (i.e., steel studs, concrete board, etc).

Combustible facings must not extend behind the insert surround. See Section 1.E and 1.F.

Non-Combustible Materials Specification

Material which will not ignite and burn. Such materials are those consisting entirely of steel, iron, brick, tile, concrete, slate, glass or plasters, or any combination thereof.

Materials that are reported as passing **ASTM E 136, Standard Test Method for Behavior of Materials in a Vertical Tube Furnace at 750 °C.**

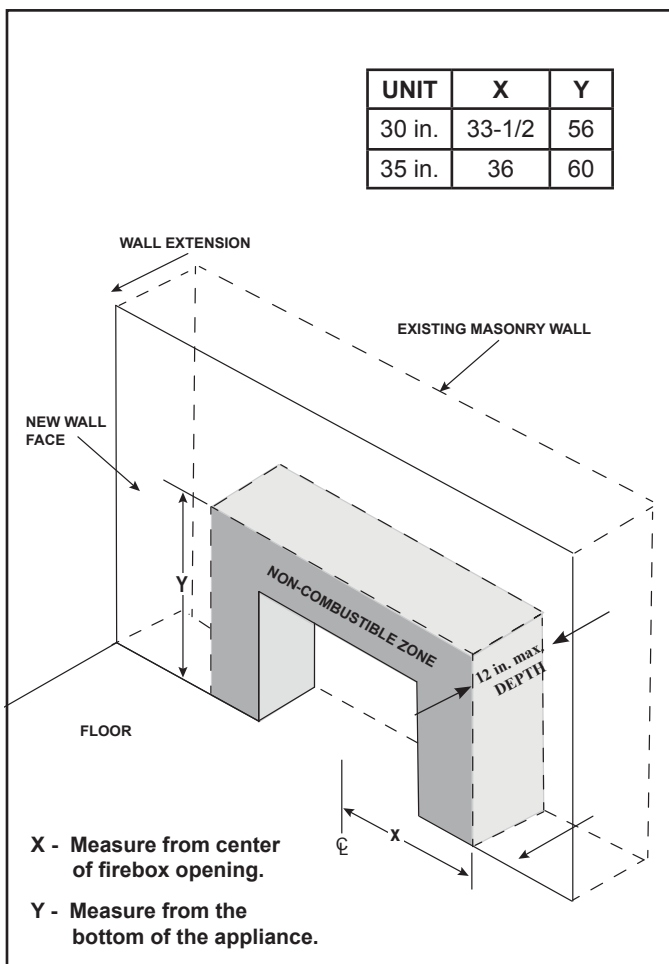


Figure 4.3 Non-Combustible Framing Requirement

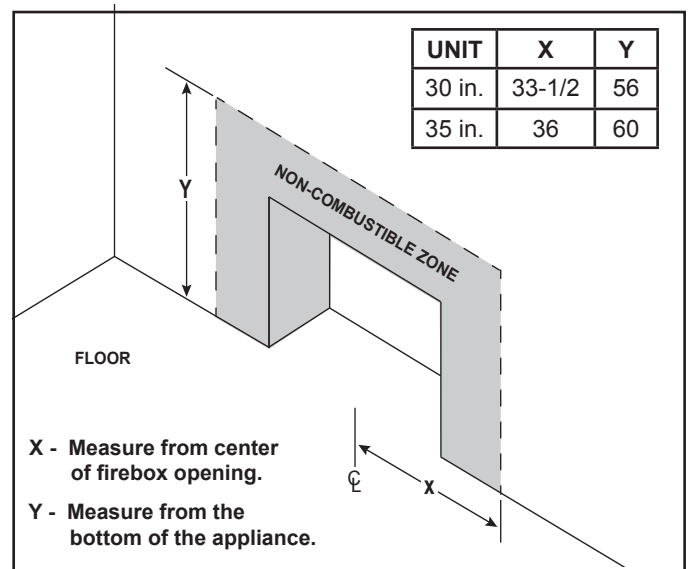


Figure 4.4 Non-Combustible Facing Requirement

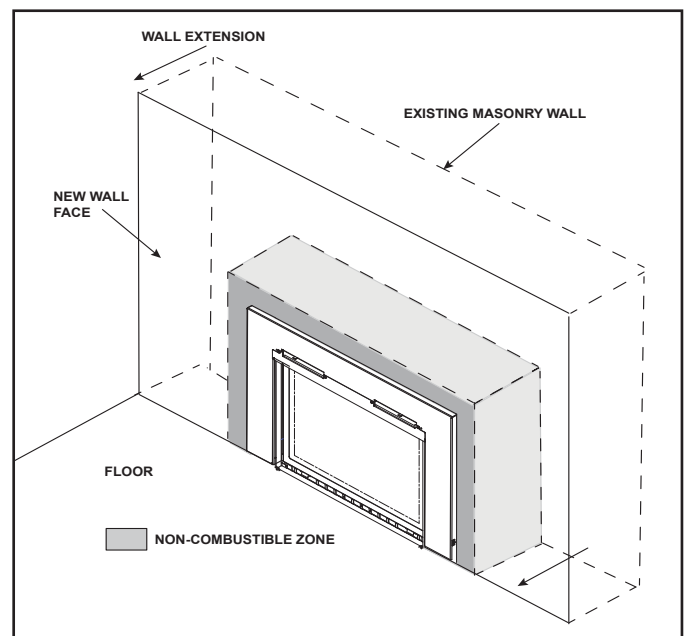


Figure 4.5 Non-Combustible Framing / Facing Requirement

- Facing and/or finishing materials must not interfere with air flow through decorative barrier fronts.
- Facing and/or finishing materials must never overhang into the glass opening.
- Observe all clearances when applying combustible materials.
- Maximum depth of wall extension is 12 inches. This may be limited by the flex pipe's ability to connect to the starting collar.
- Covering combustible materials with non-combustible materials does not qualify material as non-combustible.

WARNING! Risk of Fire! DO NOT apply combustible materials beyond the minimum clearances. Comply with all minimum clearances to combustibles as specified in this manual. Overlapping materials could ignite and will interfere with proper operation of decorative barrier fronts.

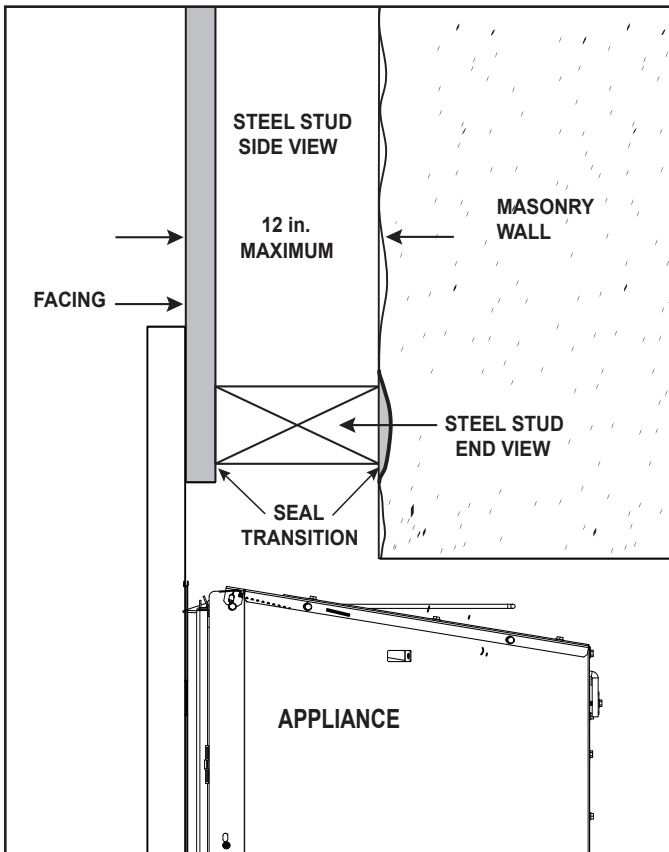


Figure 4.6 Transition Sealing Detail for Wall Extensions (Side View)

Wall Extension

Wall extension must be sealed to existing masonry wall. See Figure 4.6. Framing studs may not sit flush against existing masonry wall. In order to keep heat from escaping behind the wall this transition must be sealed.

- Seal with a high temperature silicone 300 °F.
and / or
- Packing insulation into voids between the masonry wall and steel studs is acceptable.

Note: Combustible materials may be used to seal wall extension to existing masonry wall as long as it is outside the non-combustible zone.

Painting

If desired finishing includes a painted wall, a high-quality 100% acrylic latex paint with a high-quality latex primer base coat are recommended around the appliance to limit discoloration. Oil-based or standard acrylic paints may be more prone to discoloration due to heat exposure.

Drywall Joint-Crack Prevention and Repair


Drywall joints around the fireplace will be affected by exposure to elevated temperatures, along with other environmental, structural factors due to new construction, and methods used to install and finish the drywall. If a crack does emerge adjacent to the fireplace, it can be permanently repaired by filling it with a paintable latex caulk, followed by repainting.

Some movement of the screws used to secure the non-combustible board to the appliance/surround framing is expected. If a blemish begins to show over a screw head, sand the surface to remove the blemish and repaint.

NOTE: Concealed sections of 3 in. flex pipe must be contained inside existing masonry fireplace flue vent or installed into an existing wood burning vent system.

5 Termination Location and Vent Information

A. Vent Termination Minimum Clearances



⚠ WARNING

Fire Risk.
Maintain vent clearance to combustibles as specified.

- **DO NOT** pack air space with insulation or other materials.

Failure to keep insulation or other materials away from vent pipe could cause overheating and fire.

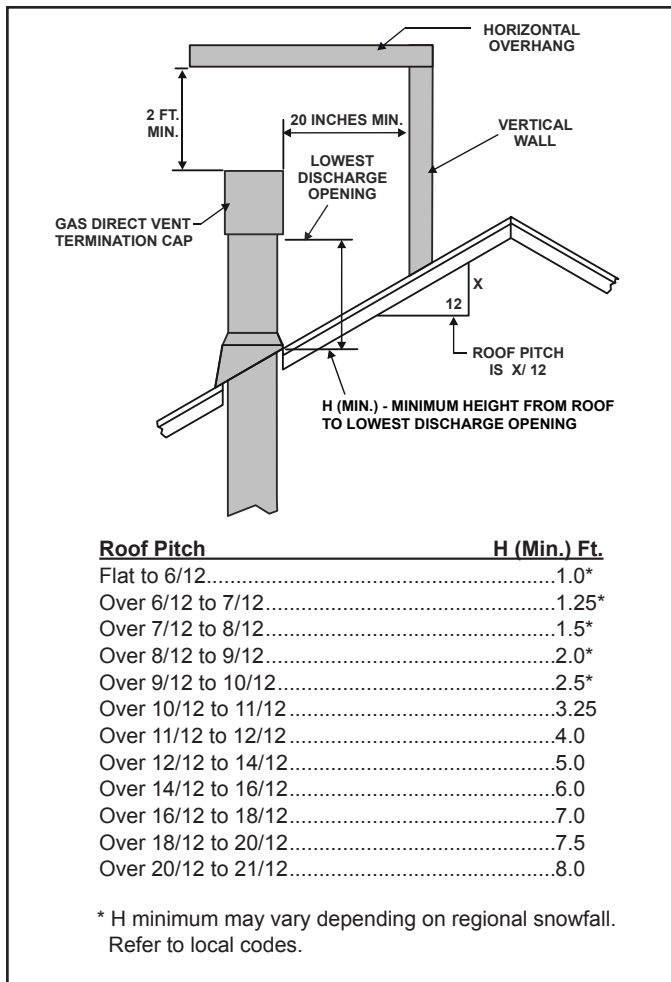


Figure 5.1 Minimum Height From Roof To Lowest Discharge Opening

6 Installation Preparation

Prepare the existing solid fuel masonry or factory built non-combustible firebox for installation.

A. Cleaning

Prior to installing the gas insert:

- Ensure that the woodburning fireplace cavity is clean and free of ash, soot, and other debris.

B. Flue Damper

Fully lock the solid fuel fireplace's flue damper in the open position, OR completely remove it.

C. Gas Line

Note: If the factory built fireplace has no gas access hole provided, an access hole of 1 in. (25 mm) diameter or less may be drilled through the lower sides or bottom of the firebox in a proper workmanship - like manner. This access hole must be plugged with non-combustible insulation after the gas supply line has been installed.

- Install gas line into firebox cavity.
- Check local codes and gas line sizing requirements following NFPA51. See Section 9.
- It is recommended that extra length of gas line be installed within the existing wood burner or masonry fireplace to allow removal of the insert for future servicing needs.

D. Fireplace Conversion Notice

Permanently attach the label with the following warning to the inside lower back of the fireplace firebox into which the insert is being installed. Silicone or mechanical fasteners may be required to properly secure the label.

WARNING! Risk of Fire! *This fireplace has been converted for use with a gas fireplace insert only and cannot be used for burning wood or solid fuels unless all original parts have been replaced, and the fireplace re-approved by the authority having jurisdiction.*

E. Electrical Outlet Box

An outlet box may be installed in a bottom back corner of the existing solid fuel masonry or factory built fireplace to permit blowers or other optional accessories to be used. Alternatively, the supplied power cord may be routed out onto the hearth to a nearby outlet.

7 Installing Vent Pipe and Appliance

A. Vent Limits

The abbreviations listed in this vent table key are used in the vent diagrams.

Description
Minimum Vertical Run Length 10 ft.
Maximum Vertical Run Length 50 ft.

Horizontal venting is NOT allowed.

Vertical terminations are measured to top of chimney.

This appliance is listed for use with LINK-DV systems and components only. It is permissible to extend venting above existing chimney (within specified maximum vertical limits) using SLP series or Dura Vent GS series 4 in. x 6-5/8 in. gas direct-vent pipe. Connection is made using DV-46DVA-GK.

WARNING! Risk of Fire/Explosion/Asphyxiation! Do NOT connect this gas appliance to a chimney flue serving a separate solid fuel or gas burning appliance.

- Could impair safe operation of this appliance or other appliances connected to the flue.
- Vent this appliance directly outside.
- Use separate vent system for this appliance.

CAUTION! ALL vent specifications MUST be followed. This product is tested and listed to these specifications. Appliance performance will suffer if specifications are not followed.

B. Venting Components

CAUTION! Risk of Cuts/Abrasions/Flying Debris. Wear protective gloves and safety glasses during installation. Sheet metal edges are sharp.

The vertical vent termination system installed on this model includes:

- One 3 ft. section stainless steel flexible pipe (included with insert).
- One length of 3 in. flexible vent pipe for exhaust air (included with vent kit).
- One length of 3 in. flexible vent pipe for combustion air (included with vent kit).
- One pipe-to-cap adaptor (included with vent kit).
- One vertical termination cap (included with vent kit).
- Installation instructions for use in venting installation (included with the vent kit).

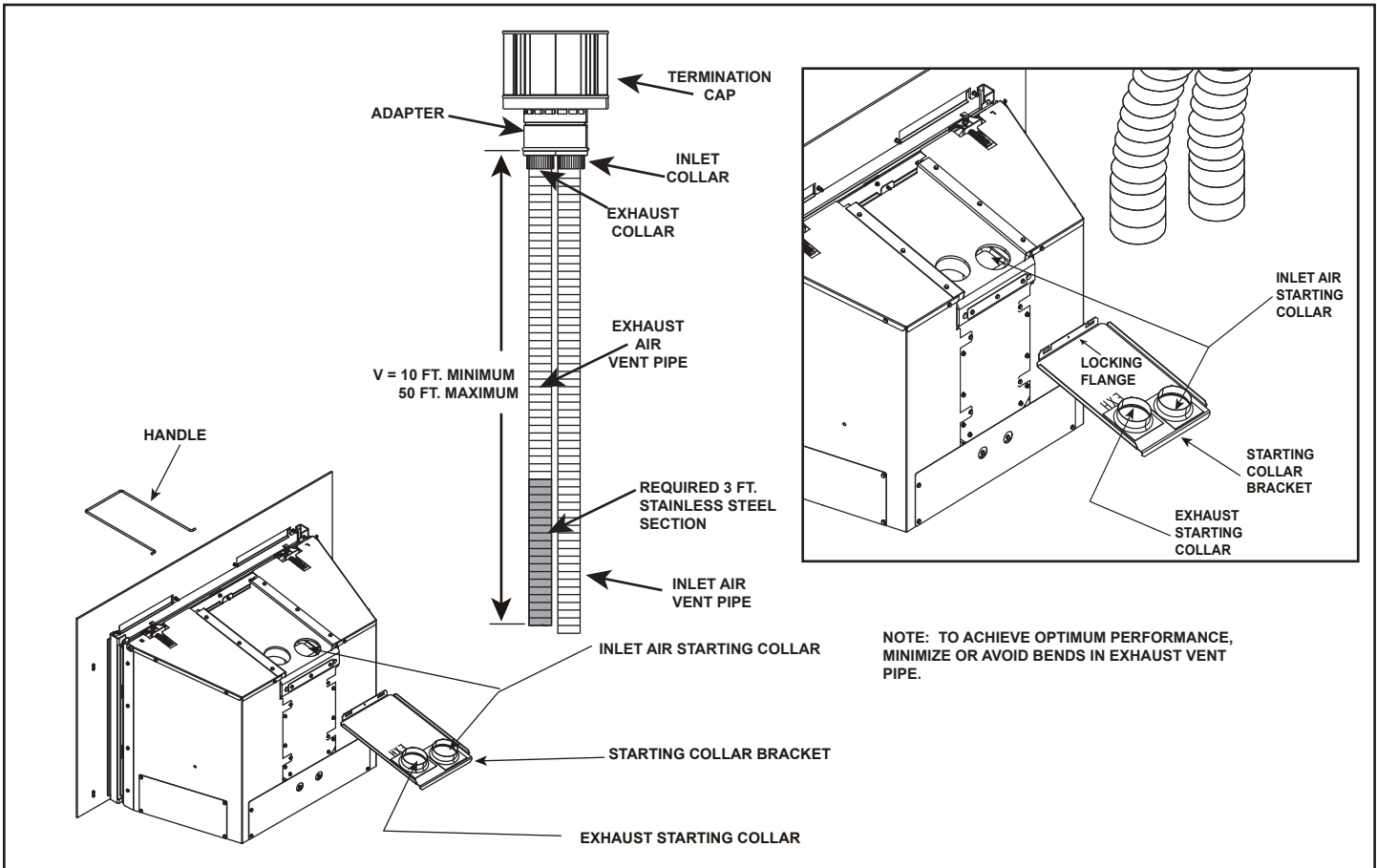


Figure 7.1

C. Connecting Vent Pipe

Reference instructions in the termination kit.

- Install the 3 in. flexible vent pipe(s) down through the chimney.
- Secure the exhaust flexible vent pipe to the 3 ft. section stainless steel flexible vent pipe using the factory-installed 3 in. collar in the stainless steel section of pipe (see Figure 7.1).
- Secure the stainless flexible vent pipe to the exhaust starting collar on top of the appliance with three screws.
- Use 3 screws to attach the section of inlet air vent to the inlet collar on the collar slide plate. See Figure 7.1. NOTE: The collar slide plate may be removed from appliance to aid installation.

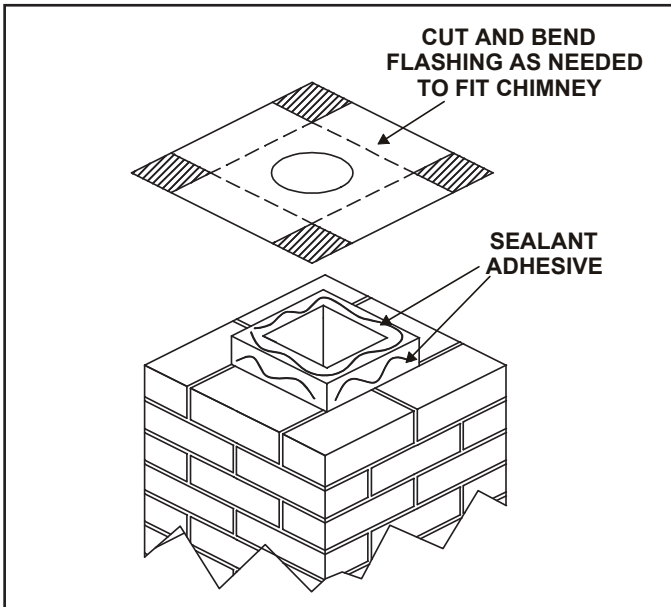


Figure 7.2

- Trim chimney top plate to minimize excess overhang or bend over flue tile (see Figure 7.2).
- Place 3/8 in. bead of 300 °F silicone on flue tile top.

D. Placing, Securing and Leveling the Appliance

WARNING! Risk of Explosion/Combustion Fumes!
Connect vent sections per installation instructions.

- The 3 foot section of stainless steel flexible pipe **MUST** be attached directly to the exhaust collar on the collar slide plate.
- Connect exhaust vent pipe **ONLY** to exhaust starting collar and termination cap center collar.
- Connect inlet air vent **ONLY** to inlet air collar on appliance and either the termination cap inlet air collar **OR** terminate within chimney.
- **DO NOT** allow vent to sag below connection point to appliance.
- Remove rear leveling legs from shipping position and relocate to one of the positions shown in Figure 7.3. Remove both screws that secure the leveling leg to the side of the appliance. Turn the leveling leg around so that the foot is facing out and downward. Line up the two holes on the leg with the holes on the appliance and secure with screws. See Figure 7.3.
- Front leveling legs are shipped with surround and may be installed in one of two locations. See Figure 7.3.
- Install insert (without surround attached) into existing fireplace while pulling collar slide plate forward.
- Install gas line into hole provided on side.
- Secure collar slide plate to appliance by placing locking handle into position with locking tabs (see Figure 7.1) and secure with #8 screw.
- Level the appliance from side to side and front to back. Adjust leveling bolts to desired vertical position so appliance is level. Use the leveling bolts included with the manual bag.
- A minimum 1/2 in. gap from the bottom of the appliance to a metal surface is recommended for optimal fan performance. See Figure 4.1-A and Figure 4.1-B.
- Position any excess flexible vent pipe back up into chimney without sagging. Twist and push flex vent together to shorten.
- Attach surround. Follow instructions for surround installation included with the front.
- Push insert into the opening so that it tightly overlaps the fireplace opening.

WARNING! Risk of Fire! Only an approved Hearth & Home Technologies surround may be used to cover integral grills on solid fuel burning fireplaces. No other components such as shrouds, sheetmetal plates, etc., may be used to seal off vents.

WARNING! Risk of Explosion! Failure to position the parts in accordance with these diagrams or failure to use only parts specifically approved with this appliance may result in property damage or personal injury.

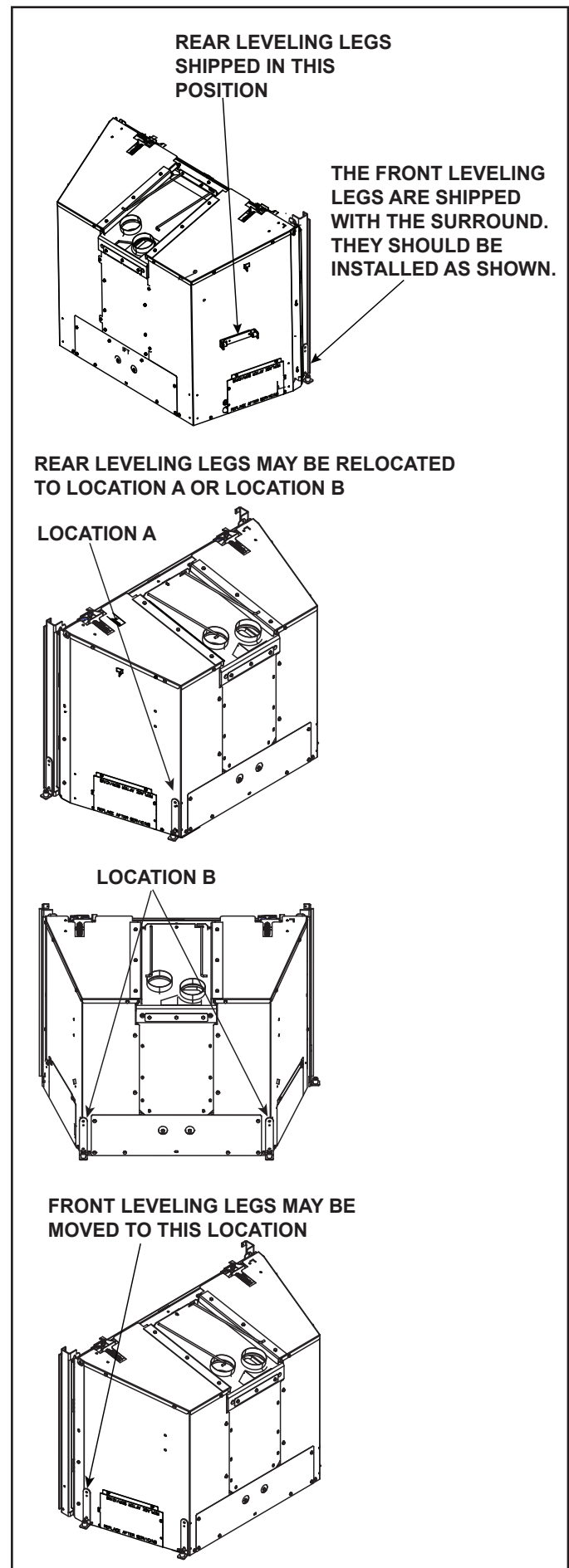


Figure 7.3

E. Installing Adaptor and Termination Cap

CAUTION! Risk of Cuts/Abrasions/Flying Debris.
Wear protective gloves and safety glasses during installation. Sheet metal edges are sharp.

For installation of termination cap see minimum vent heights for various pitched roofs (see Figure 7.4) .

To install adaptor see Figure 7.5.

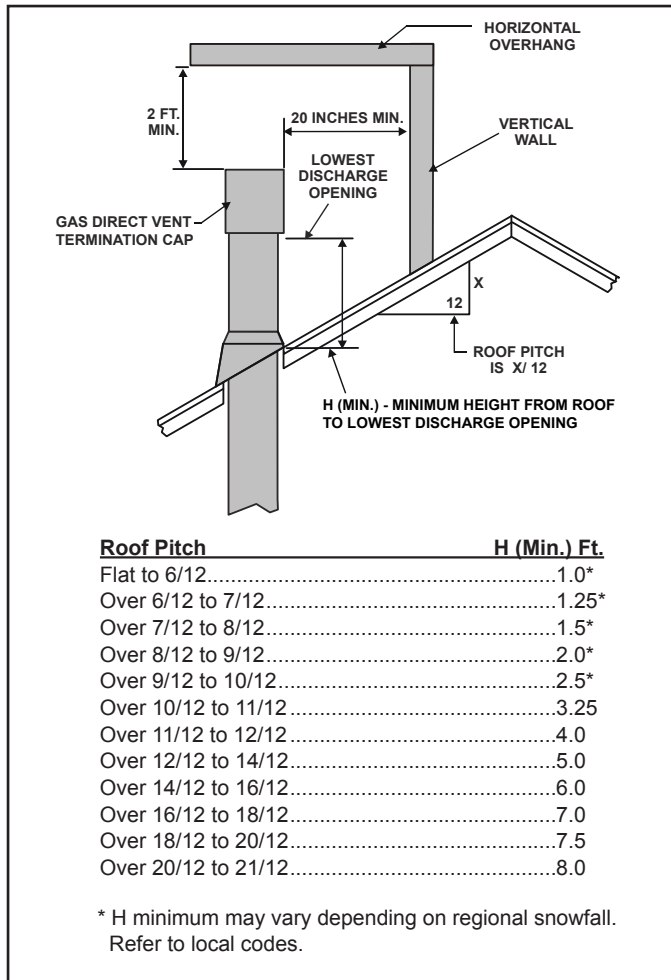


Figure 7.4 Minimum Height from Roof to Lowest Discharge Opening

To prevent odors and cold air drafts, it may be necessary to place non-combustible insulation or field fabricated metal plates around the vent pipe flues as they go through the damper.

Note: The LINK-DV4-30B and LINKSQ-DV4-30 systems REQUIRE this insulation.

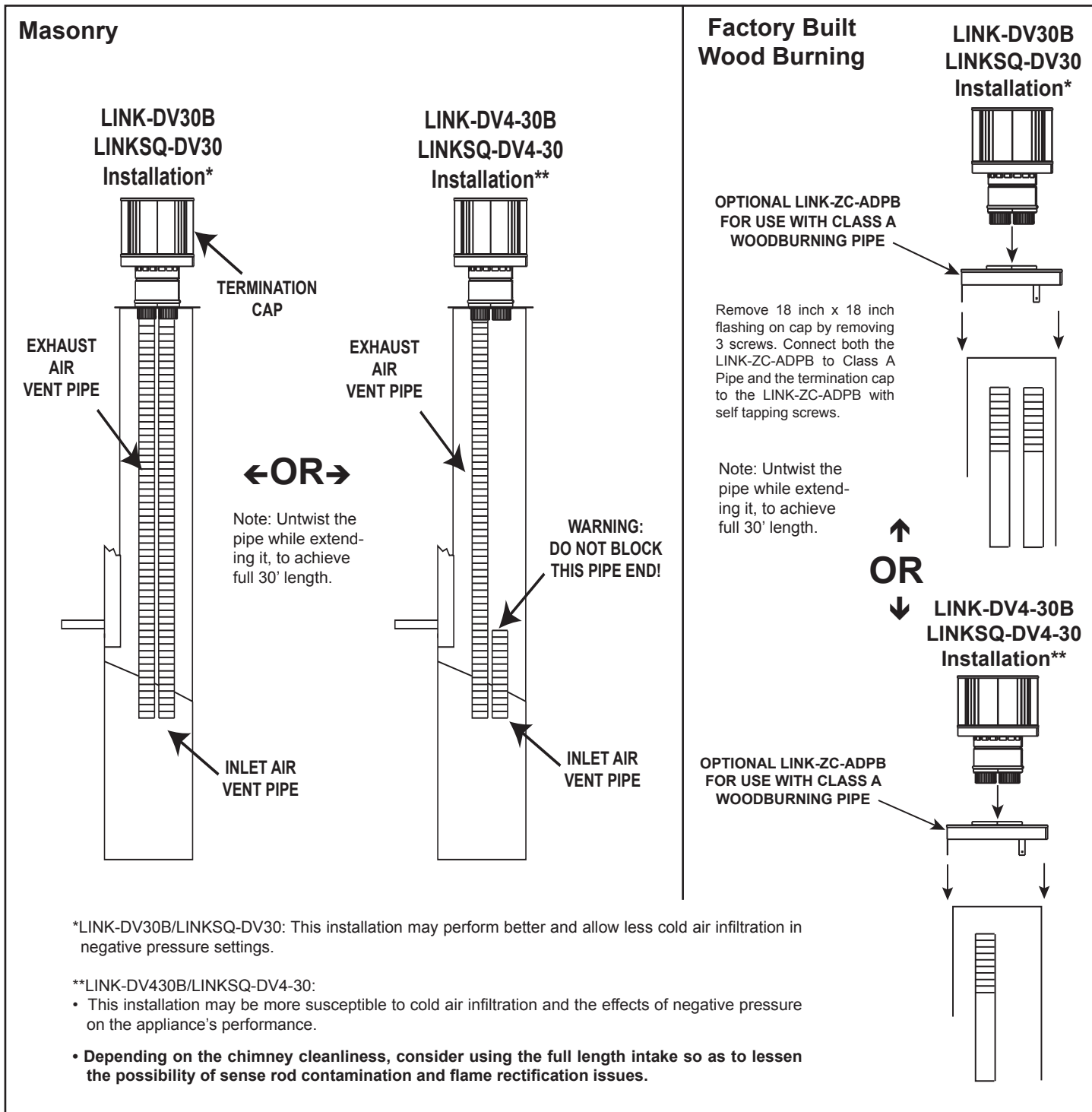


Figure 7.5

8 Electrical Information

A. General Information

WARNING! Risk of Shock or Explosion! DO NOT wire 110-120 VAC to the valve or to the appliance wall switch. Incorrect wiring will damage controls.

NOTICE: This appliance must be electrically wired and grounded in accordance with local codes or, in the absence of local codes, with **National Electric Code ANSI/NFPA 70-latest edition** or the **Canadian Electric Code CSA C22.1**.

- This appliance comes with a 110-120 VAC cord assembly. This is required for proper operation of the appliance (IntelliFire Touch Ignition). An outlet box may be installed in a bottom back corner of the existing solid fuel masonry or factory built fireplace to plug in the cord assembly, or the supplied power cord may be routed out onto the hearth to a nearby outlet.
- A 110-120 VAC circuit for this product must be protected with ground-fault circuit-interrupter protection, in compliance with the applicable electrical codes, when it is installed in locations such as in bathrooms or near sinks.
- Low voltage and 110-120 VAC voltage cannot be shared within the same wall box.
- In some instances, the spark ignition of the fireplace may cause intermittent, non-damaging, interference during the lighting sequence with a TV plugged into the same circuit. It is recommended that the fireplace and TV use different circuits to mitigate the interference potential. If interference is occurring on the same circuit, the use of surge protectors may help alleviate the interference.

Electrical Service and Repair

WARNING! Risk of Shock! Label all wires prior to disconnection when servicing controls. Wiring errors can cause improper and dangerous operation. Verify proper operation after servicing.

WARNING! Risk of Shock! Replace damaged wire with type 105 °C rated wire. Wire must have high temperature insulation.

- Refer to Service Parts section of appliance Owner's Manual for replacement part information.

NOTICE: DO NOT wire 110-120 VAC to wall switch.

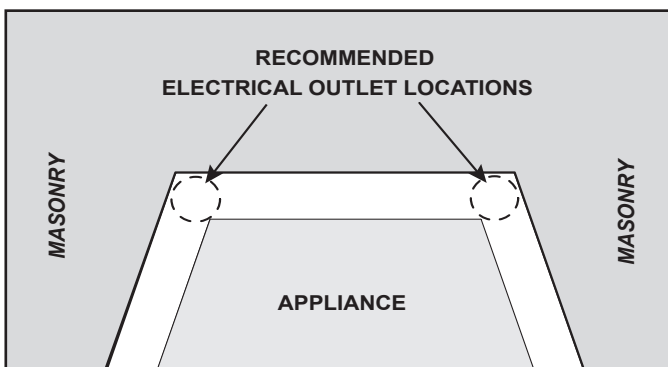


Figure 8.1 Electrical Outlet Detail

B. Wiring Requirements - IntelliFire Touch® Ignition System Wiring

- Wire the appliance junction box to 110-120 VAC for proper operation of the appliance.

WARNING! Risk of Shock or Explosion! DO NOT wire IPI controlled appliance junction box to a switched circuit. Incorrect wiring will override IPI safety lockout.

- Refer to Figure 8.2, IntelliFire Touch (IFT) Wiring Diagram.
- This appliance is equipped with an IntelliFire control valve which operates on a 6 volt/1.5 AMP system.
- Plug the 6 volt transformer plug into the supplied cord assembly to supply power to the unit OR install 4 AA cell batteries (not included) into the battery pack before use.

NOTICE: Batteries should only be used as a power source in the event of an emergency power outage. Batteries should not be used as a primary long-term power source. Battery polarity must be correct when installing batteries. When using batteries as a power source, the 6-volt transformer must be unplugged from the receptacle.

Do not store batteries in the battery pack when the appliance is powered by the 6 volt transformer connected to permanent electrical service.

Battery Pack

Battery pack is not factory installed in appliances. See appliance manual bag for battery pack. Battery pack should only be installed during power outages.

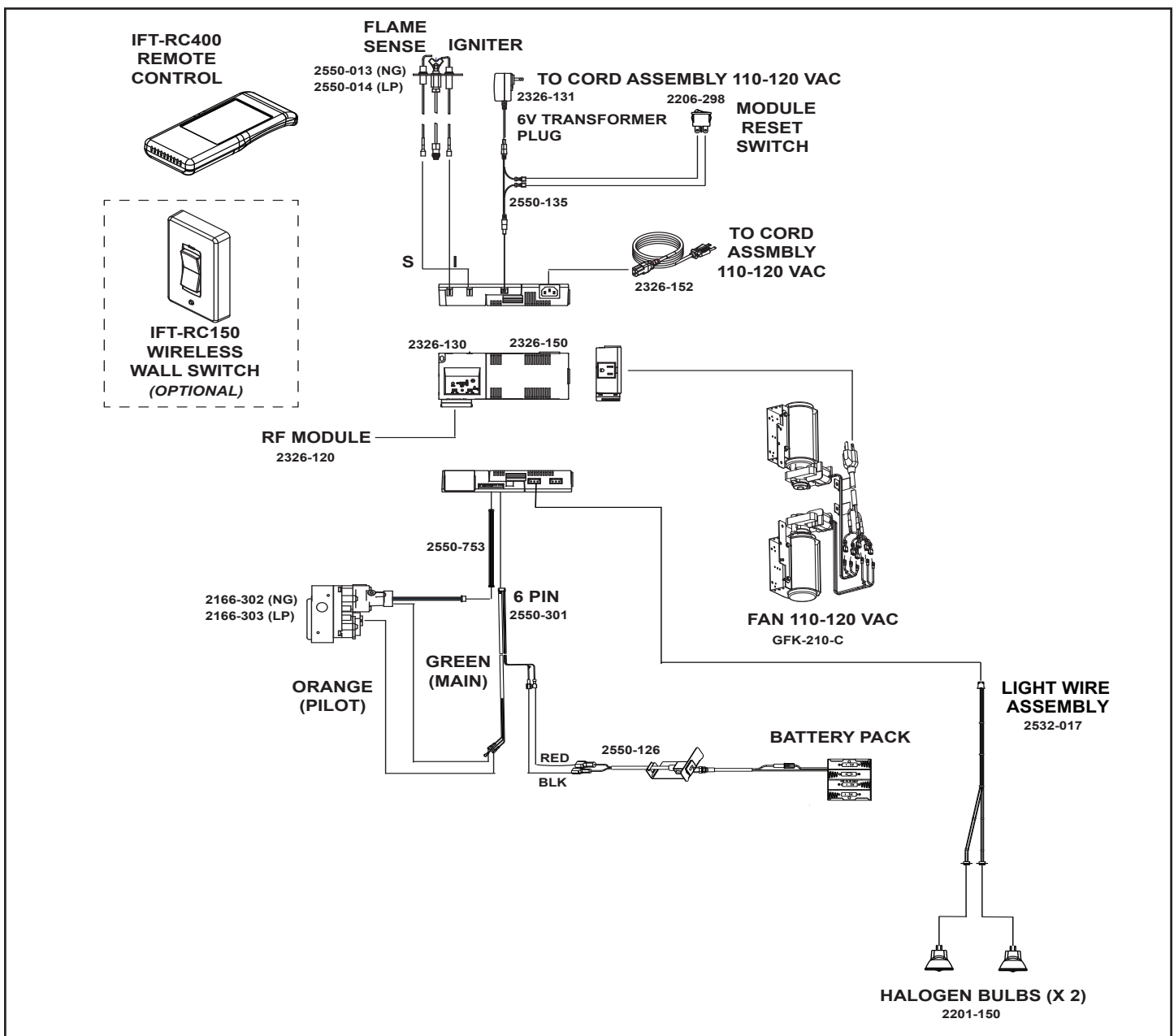
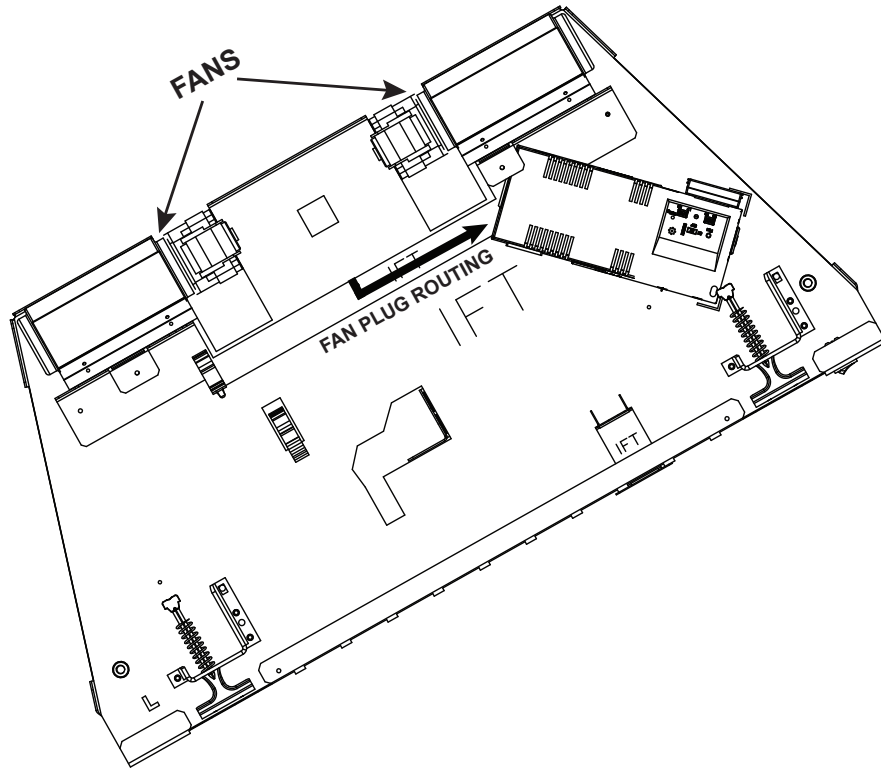
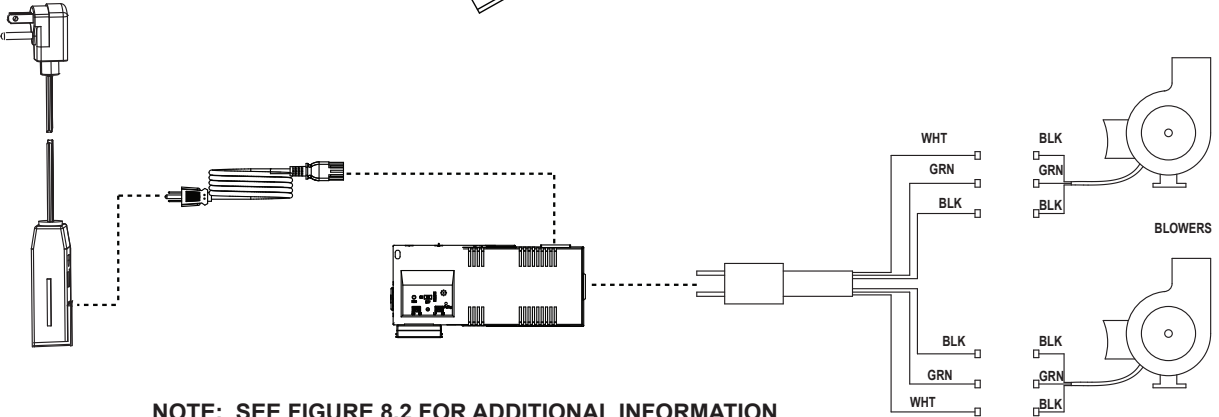


Figure 8.2 IntelliFire Touch Wiring Diagram

Note: if any of the original wire as supplied with the appliance must be replaced, it must be replaced with type 105 °C rated wire.



PLUG INTO 120V EXISTING OUTLET



NOTE: SEE FIGURE 8.2 FOR ADDITIONAL INFORMATION

Figure 8.3 Fan Wiring Diagram

9 Gas Information

A. Fuel Conversion

- Make sure the appliance is compatible with available gas types.
- Conversions must be made by a qualified service technician using Hearth & Home Technologies specified and approved parts.




B. Gas Pressure

- Optimum appliance performance requires proper input pressures.
- Gas line sizing requirements will be determined in ANSI Z223.1 National Fuel Gas Code in the USA and CAN/CGA B149 in Canada.
- Pressure requirements are:

Gas Pressure	Natural Gas	Propane
Minimum inlet pressure	5.0 in. w.c.	11.0 in. w.c.
Maximum inlet pressure	10.0 in. w.c.	13.0 in. w.c.
Manifold pressure	3.5 in. w.c.	10.0 in. w.c.

WARNING! Risk of Fire or Explosion! High pressure will damage valve. Low pressure could cause explosion.

- Verify inlet pressures. Verify minimum pressures when other household gas appliances are operating.
- Install regulator upstream of valve if line pressure is greater than 1/2 psig.

 WARNING	
	Fire Risk. Explosion Hazard. High pressure will damage valve.
	<ul style="list-style-type: none">• Disconnect gas supply piping BEFORE pressure testing gas line at test pressures above 1/2 psig.• Close the manual shutoff valve BEFORE pressure testing gas line at test pressures equal to or less than 1/2 psig.

Note: Have the gas supply line installed in accordance with local codes, if any. If not, follow ANSI Z223.1. Installation should be done by a qualified installer approved and/or licensed as required by the locality. (In the Commonwealth of Massachusetts installation must be performed by a licensed plumber or gas fitter).

Note: A listed (and Commonwealth of Massachusetts approved) 1/2 in. (13 mm) T-handle manual shut-off valve and flexible gas connector are connected to the 1/2 in. (13 mm) control valve inlet.

- **If substituting for these components, please consult local codes for compliance.**

C. Gas Connection

- Refer to Reference Section 3 for location of gas line access in appliance.
- Gas line may be run through knockout(s) provided.
- The gap between supply piping and gas access hole may be caulked with caulk with a minimum of 300°F continuous exposure rating or stuffed with non-combustible, unfaced insulation to prevent cold air infiltration.
- Ensure that gas line does not come in contact with outer wrap of the appliance. Follow local codes.
- Pipe incoming gas line into valve compartment.
- Connect incoming gas line to the 1/2 in. (13 mm) connection on manual shutoff valve.

WARNING! Risk of Fire or Explosion! Support control when attaching pipe to prevent bending gas line.

- A small amount of air will be in the gas supply lines.

WARNING! Risk of Fire or Explosion! Gas build-up during line purge could ignite.

- Purge should be performed by qualified service technician.
- Ensure adequate ventilation.
- Ensure there are no ignition sources such as sparks or open flames.

Light the appliance. It will take a short time for air to purge from lines. When purging is complete the appliance will light and operate normally.

WARNING! Risk of Fire, Explosion or Asphyxiation! Check all fittings and connections with a non-corrosive commercially available leak-check solution. **DO NOT** use open flame. Fittings and connections could have loosened during shipping and handling.

WARNING! Risk of Fire! DO NOT change valve settings. This valve has been preset at the factory.

D. High Altitude Installations

NOTICE: If the heating value of the gas has been reduced, these rules do not apply. Check with your local gas utility or authorities having jurisdiction.

When installing above 2000 feet elevation:

- In the USA: Reduce input rate 4% for each 1000 feet above 2000 feet.
- In CANADA: Input ratings are certified without a reduction of input rate for elevations up to 4500 feet (1370 m) above sea level. Please consult provincial and/or local authorities having jurisdiction for installations at elevations above 4500 feet (1370 m).

Check with your local gas utility to determine proper orifice size.

E. Air Shutter Setting

Air shutter settings should be adjusted by a qualified service technician at the time of installation. The air shutter is set at the factory for minimum vertical vent run. Adjust air shutter for longer vertical runs. See Figure 9.1.

NOTICE: If sooting occurs, provide more air by opening the air shutter.

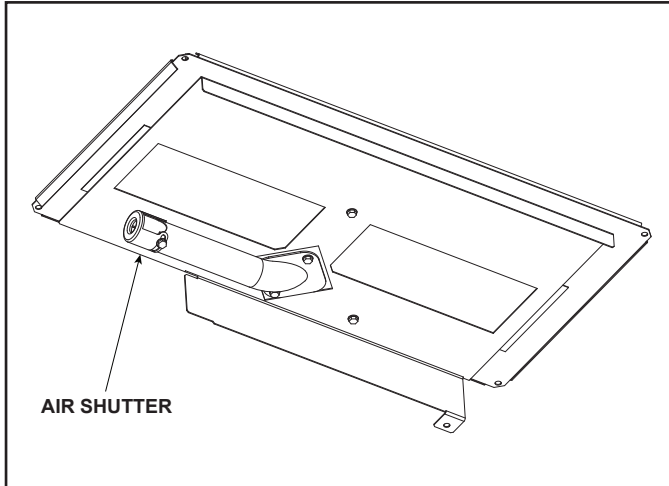


Figure 9.1 Air Shutter

Air Shutter Settings

	NG	Propane
ESCAPE-30-IFT	1/4 in.	Full Open
ESCAPE-35-IFT	1/4 in.	Full Open

10 Finishing

A. Mantel and Wall Projections

WARNING! Risk of Fire! Comply with all minimum clearances to combustibles as specified. Framing or finishing material closer than the minimums listed must be constructed entirely of noncombustible materials (i.e., steel studs, concrete board, etc).

Clearance to combustible material under the insert is 3/4 in. (19 mm). Clearance from bottom of surround air outlet slot for combustibles extending 12 Inches max. is 12 Inches.

- Use leveling legs to raise insert minimum 3/4 in. (19 mm) above combustible material or outer wrap of factory built firebox.
- If 3/4 in. gap is not achievable, the appliance may be placed directly on a non-metallic 1/2 in. non-combustible board. See Figure 10.2 for minimum required coverage area.

Combustible facings must not extend behind the insert surround. For non-combustible material specifications refer to section 1.E.

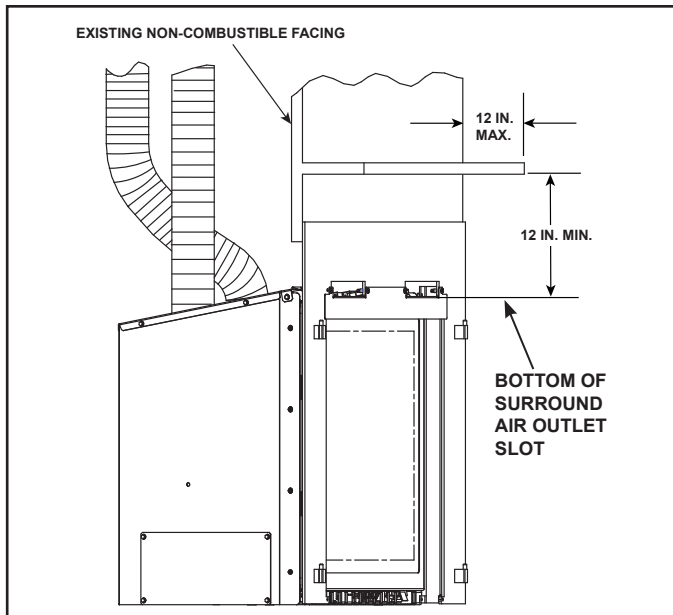


Figure 10.1 Mantel Clearance

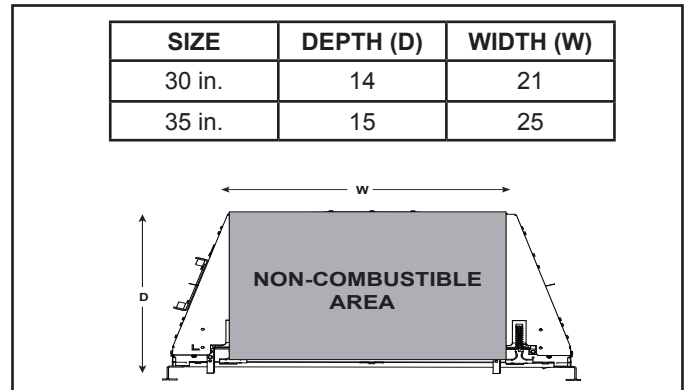


Figure 10.2 Alternate Minimum Non-Combustible Board Coverage Requirement

Mantel Legs or Wall Projections

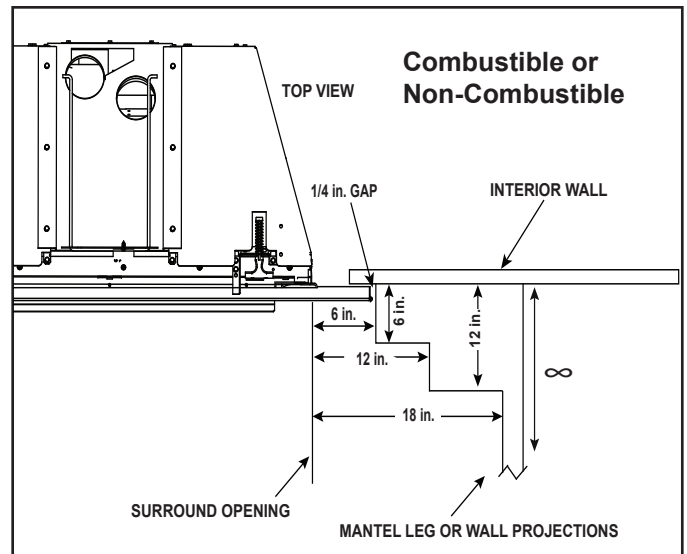


Figure 10.3 Clearances to Mantel Legs or Wall Projections (Acceptable on both sides of surround opening)

B. Hearth Extension / Vinyl Flooring

- Combustible flooring can NOT be installed directly in front of the appliance unless the appliance is raised 4 inches (102 mm) off of the floor.
- When the appliance is raised off the floor 4 inches (102 mm) or more, combustible flooring in front of the appliance is acceptable. See Figure 10.4 for vinyl flooring recommendations.
- Hearth extensions are not required.

Vinyl Flooring



Vinyl flooring is sensitive to heat. To avoid damage to the vinyl flooring, a 12 inch minimum x 12 inch minimum hearth is recommended when using vinyl flooring up to the wall. See Figure 10.4. If no hearth is used, it is recommended to provide a minimum of 24 inches of clearance in front of the appliance to the vinyl flooring OR the bottom of the appliance should be raised a minimum of 24 inches off of the floor to allow the vinyl flooring to be installed up to the wall.

NOTICE: Clearances that do not meet the minimum guidelines could result in damage or buckling to the vinyl flooring and is done at the installer's risk.

Hearth and Home Technologies does not recommend adhesive based vinyl flooring products due to thermal expansion during operation. Floating style flooring can be used, but it will reach temperatures up to 110 °F (based on ambient temperature of 70 °F). Consult the manufacturer's flooring specifications to ensure compatibility.

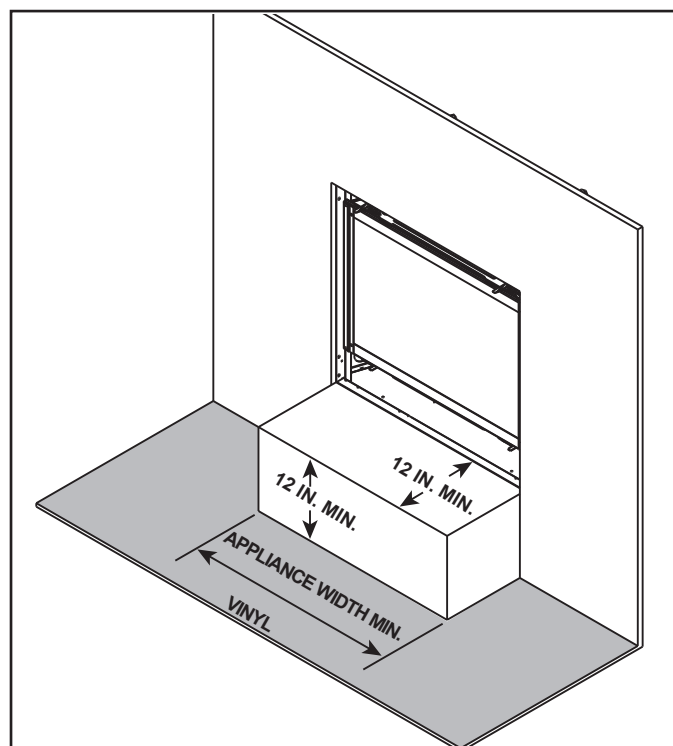


Figure 10.4 Vinyl Flooring Requirements

11 Appliance Setup

A. Fixed Glass Assembly

WARNING! Risk of Asphyxiation! Handle fixed glass assembly with care. Inspect the gasket to ensure it is undamaged and inspect the glass for cracks, chips or scratches.

- **DO NOT** strike, slam or scratch glass.
- **DO NOT** operate fireplace with glass removed, cracked, broken or scratched.
- Replace as a complete assembly.

Removing Fixed Glass Assembly

- Remove the surround vanity panel by removing four 10-24 x 3/4 Phillips pan head screws. See Figure 11.1.

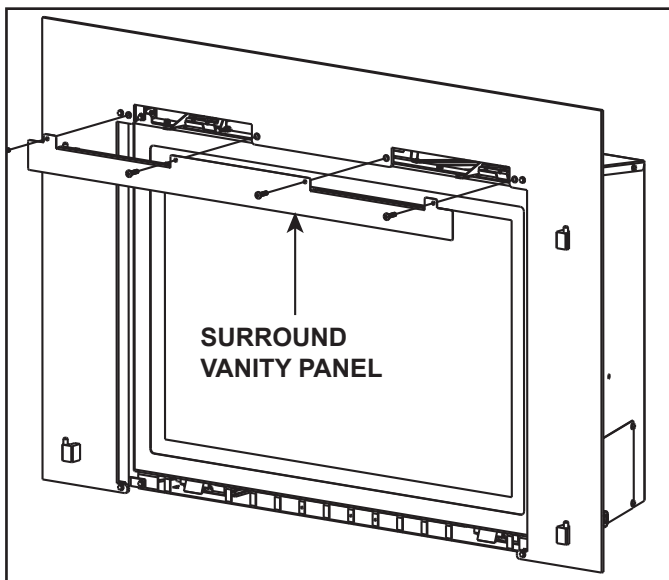


Figure 11.1 Surround Vanity Panel

- The glass assembly fastens to the fireplace in four places. The fastening mechanisms are spring-loaded glass latches. An example of the top glass latch is shown in Figure 11.2 and an example of the bottom glass latch is shown in Figure 11.3.

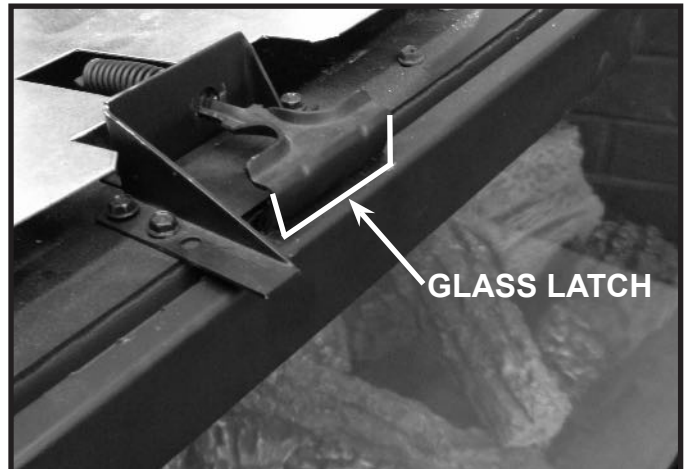


Figure 11.2 Top Glass Latch

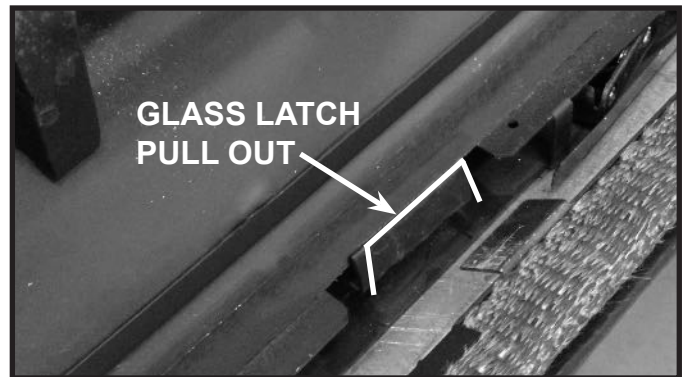


Figure 11.3 Bottom Glass Latch

- To remove glass assembly, release one top glass latch at a time. Use one hand to support the glass while pulling the top spring-loaded latch forward with the other hand.



Figure 11.4 Release Glass Latches One at a Time

- Once both top latches are disengaged, grab the glass frame assembly by the sides and tilt it outward and downward. Lift up slightly to disengage the glass assembly from the bottom glass latches. See Figure 11.5.



Figure 11.5 Tilt Glass Down and Lift Up to Disengage Bottom Latch

Replacing Fixed Glass Assembly

- Tilt glass assembly toward fireplace and slide glass assembly downward to engage bottom latches. Verify bottom latches are fully engaged and then fasten the two top latches.
- Note that the extended glass latch tabs on the glass frame are for the bottom glass latches
- Replace surround vanity panel.

B. Remove the Shipping Materials

Remove shipping materials from inside or underneath the firebox.

Note: Remove the zip ties on the exterior sides of the appliance that hold the electrical cord and gas line in place for shipping.

C. Inspect Firebox

Surface cracking or crazing of firebrick material is normal and expected. All cracks are acceptable and do not require replacement of the unit or the firebox with the exception of:

- Cracks compromising the surface plane of the firebox. See Figure 11.6.

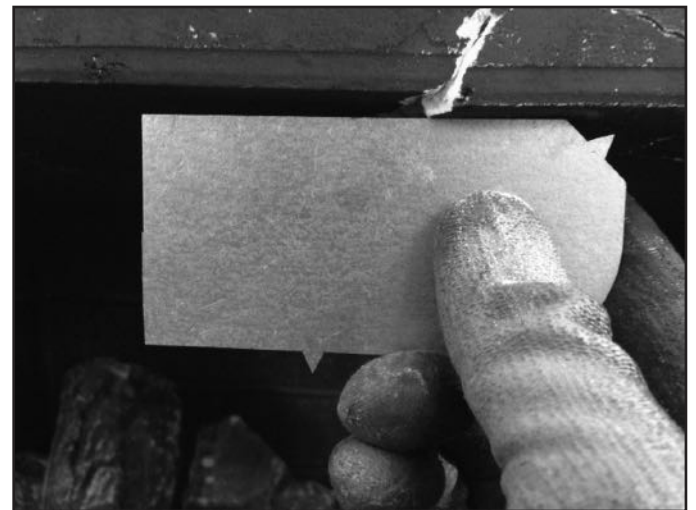


Figure 11.6. Surface plane of firebox is comprised and should be replaced.

D. Clean the Appliance

Clean/vacuum any sawdust that may have accumulated inside the firebox or underneath in the control cavity.

E. Accessories

Install approved accessories per instructions included with accessories. Contact your dealer for a list of approved accessories.

WARNING! Risk of Fire and Electric Shock! Use ONLY Hearth & Home Technologies-approved optional accessories with this appliance. Using non-listed accessories could result in a safety hazard and will void the warranty.

F. Place the Lava Rock

WARNING! Risk of Explosion! Follow lava rock placement instructions in manual. **DO NOT** place lava rock on burner. Improperly placed lava rock interferes with proper burner operation.

Lava rock is shipped with this gas appliance. To place the lava rock:

- Lava rock **CANNOT** be placed on the burner.
- Place lava rock in front of and to the sides of the burner. See Figure 11.7.

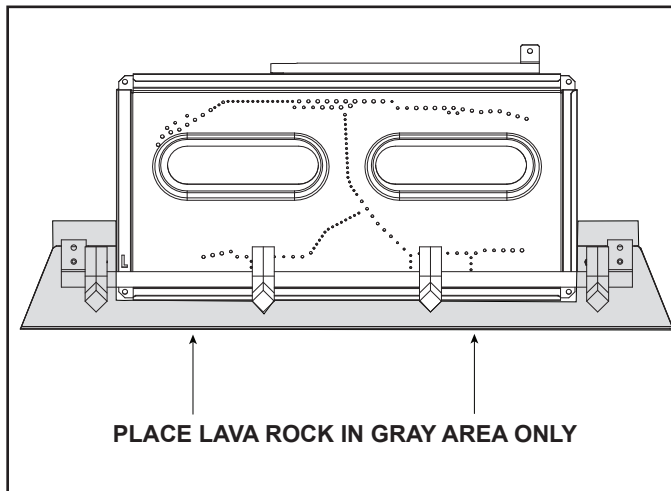


Figure 11.7 Placement of Lava Rock

G. Ember Placement

WARNING! Risk of Explosion! Follow ember placement instructions in manual. **DO NOT** place embers directly over burner ports. Replace ember material annually. Improperly placed embers interfere with proper burner operation.

Ember material is shipped with this gas appliance. To place the ember material:

- Embers **CANNOT** be placed directly over ports. Care should be taken not to cover the lighting trail of ports.
- Place dime-size pieces of Glowing Embers® just in front of the port trail, but not on or in between the ports. See Figure 11.8 (ESCAPE-30-IFT) or Figure 11.9 (ESCAPE-35-IFT). Care should be taken so that the ports are not covered. Failure to follow this procedure will likely cause lighting and sooting problems.
- Save the remaining ember materials for use during appliance servicing. The embers provided should be enough for 3 to 5 applications.

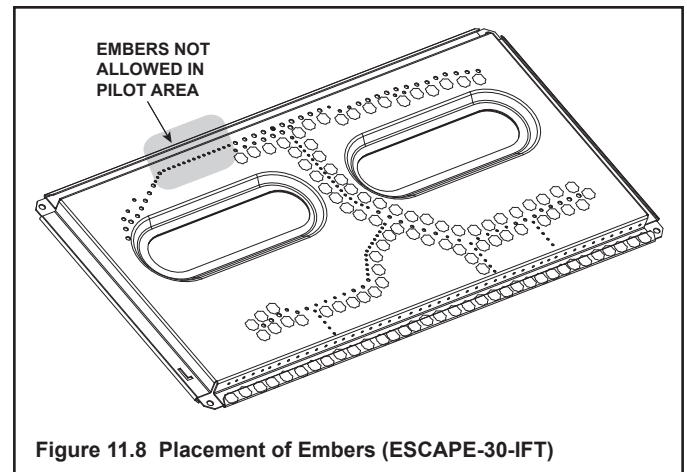


Figure 11.8 Placement of Embers (ESCAPE-30-IFT)

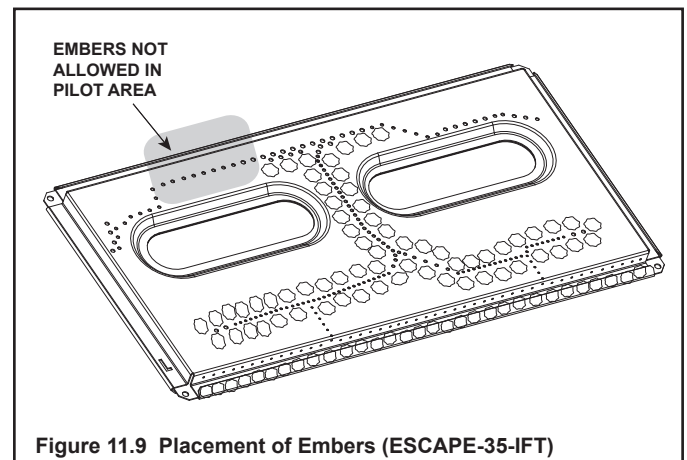


Figure 11.9 Placement of Embers (ESCAPE-35-IFT)

H. Install the Log Assembly and Glass Rock

Log Set Assembly: LOGS-I30FB

Models: ESCAPE-I30-C, ESCAPE-I30FB, ESCAPE-I30-F, ESCAPE-30-IFT

CAUTION: Logs are fragile, handle with care.

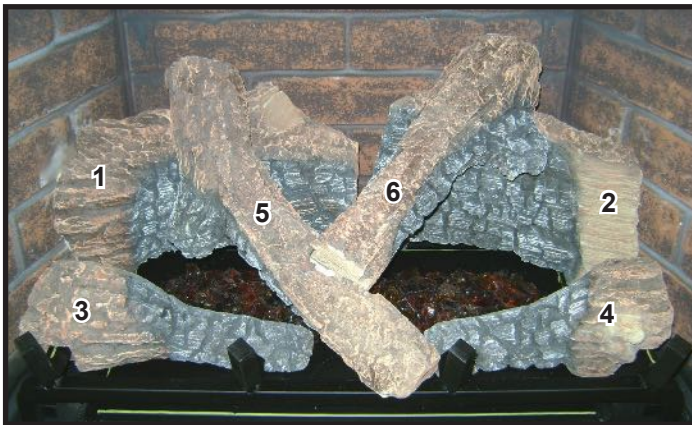


Figure 1. Log Set Installed

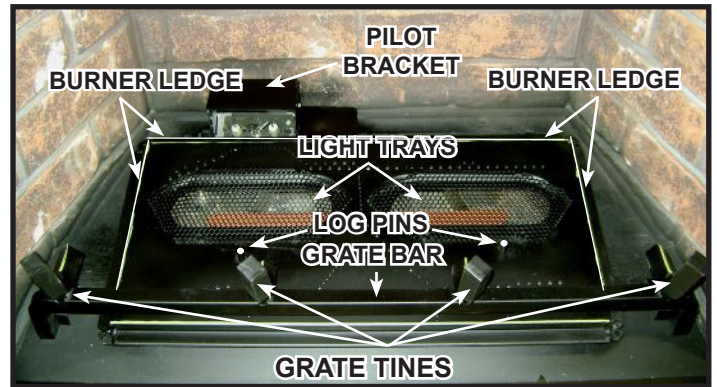


Figure 2. Reference Points

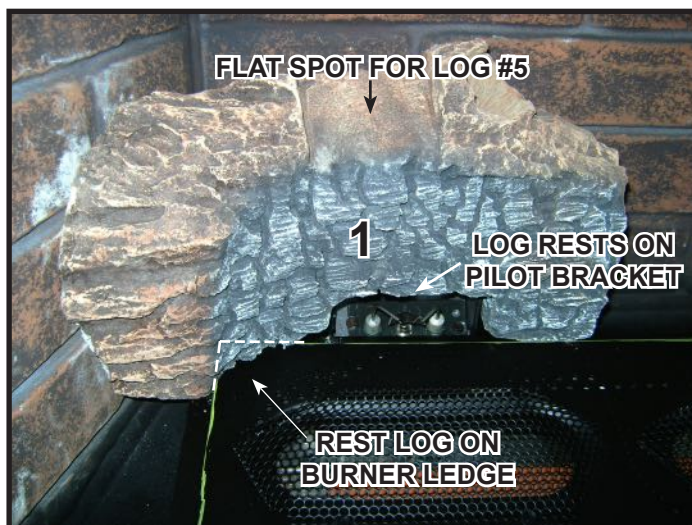


Figure 3. Log #1

Log #1 (SRV2201-702): See Figure 2 for additional references. Position Log #1 as shown in Figure 3. Rest the left and right ends of Log #1 on the burner ledge. The pilot bracket will support the center of the log.



Figure 4. Log #2

Log #2 (SRV2201-701): See Figure 2 for additional references. Position Log #2 as shown in Figure 4. Mate Log #2 with the right corner of the burner as shown. Pull the log forward and to the left until it locks into position.



Figure 5. Log #3

Log #3 (SRV2201-704): See Figure 2 for additional details. Locate the log slot on the bottom right end of Log #3. Mate the log slot with the left log pin. Rotate the left end of the log counterclockwise, until it contacts the grate tine.

Log #4 (SRV2201-705): See Figure 2 for additional details. Locate the log slot on the bottom left end of log #4. Mate the log slot with the right log pin. Rotate the right end of the log clockwise, until it contacts the grate tine.

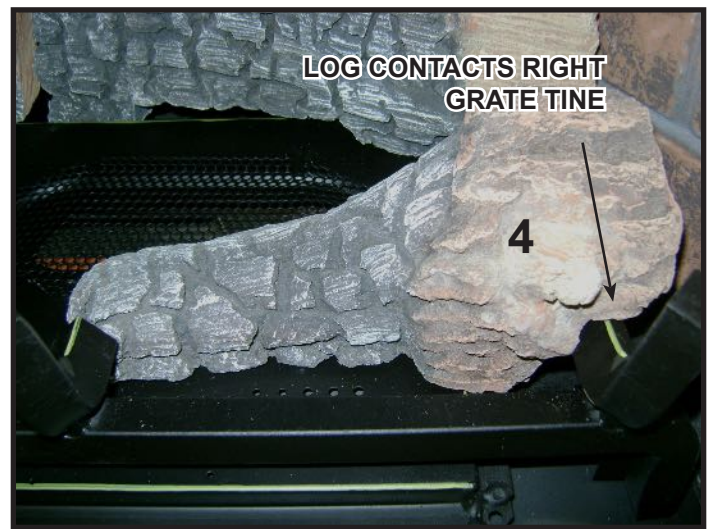


Figure 6. Log #4



Figure 7. Glass Rock in Place

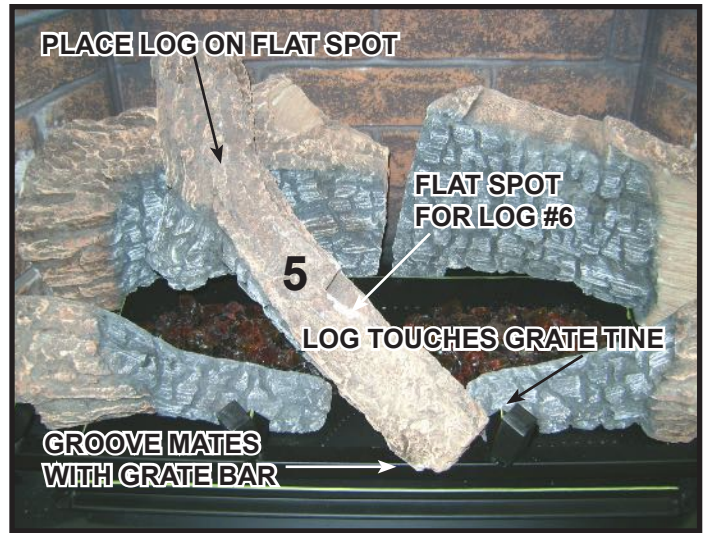


Figure 8. Place Log #5

GLASS ROCK (2201-853): Once Log #3 and Log #4 are installed, fill each light tray with the glass rock. See Figure 7.

WARNING! Risk of Explosion! DO NOT place glass rock on the burner surface. DO NOT place glass rock directly over burner ports. Improperly placed glass rock interferes with proper burner operation.

LOG #5 (SRV2201-703): SEE FIGURE 2 FOR ADDITIONAL REFERENCES. Place the thick end of Log #5 on the flat spot of Log #1. Locate the groove on the thin end of the log. Mate the groove with the grate bar as shown above. Swing the front end of the log to the right, until it contacts the second grate tine from the right.



Figure 9. Place Log #6

Log #6 (SRV2201-706): See Figures 2 and 4 for additional references. Place the thick end of the log on the flat spot of Log #2. Place the thin end of the Log #6 on the flat spot of Log #5 as shown in Figure 8.

2201-935G

H. Install the Log Assembly and Glass Rock

Log Set Assembly: LOGS-I35FB

Models: ESCAPE-I35FB, ESCAPE-I35-C, ESCAPE-I35-F, ESCAPE-35-IFT

CAUTION: Logs are fragile, handle with care.

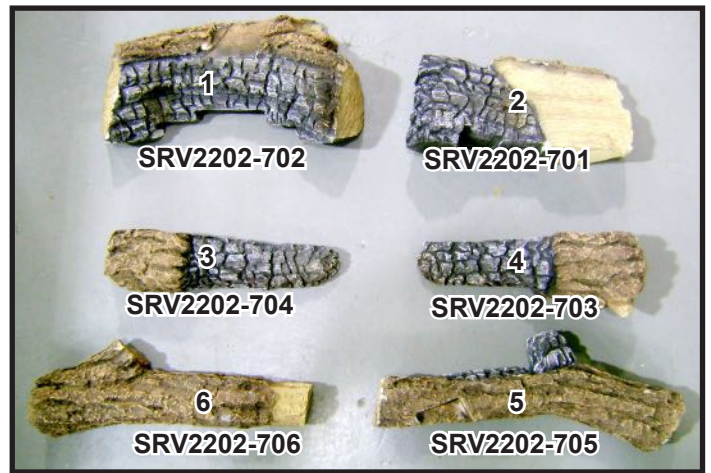


Figure 1. Log Set Installed

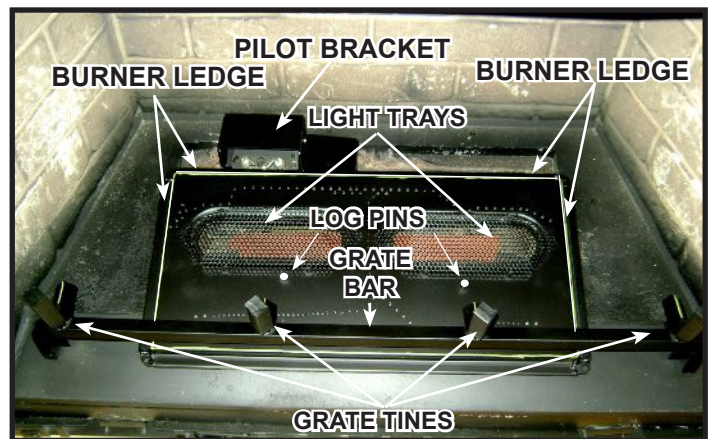


Figure 2. Reference Points

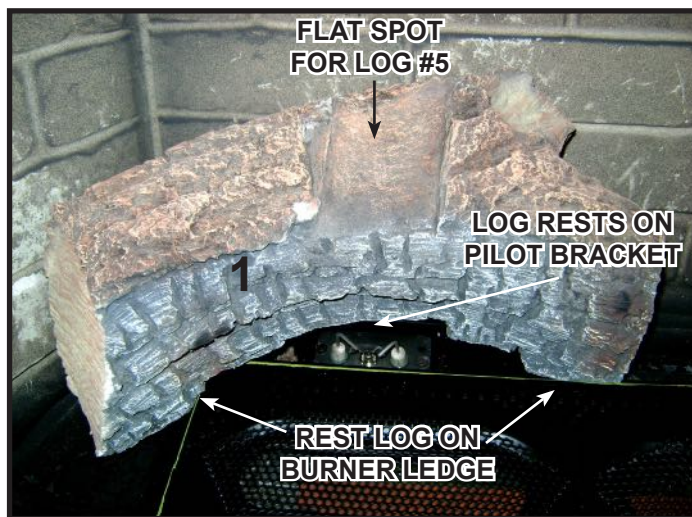


Figure 3. Log #1

Log #1 (SRV2202-702): See Figure 2 for additional references. Position Log #1 as shown in Figure 3. Rest the left and right ends of Log #1 on the burner ledge. The pilot bracket will support the center of the log. Pull the left end of the log forward into position.

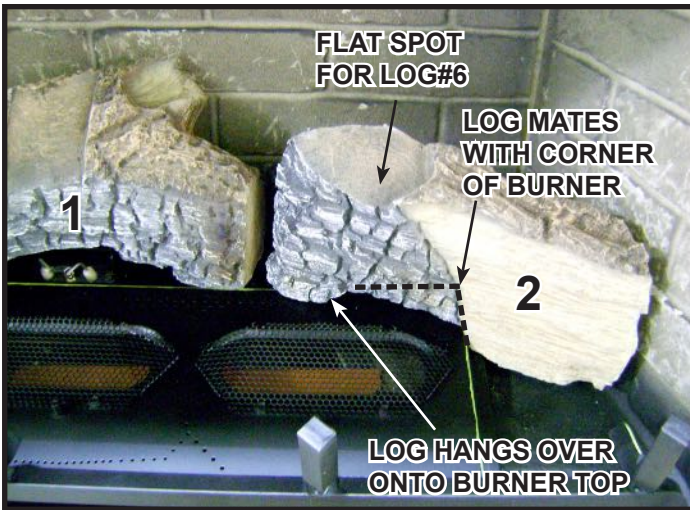


Figure 4. Log #2

Log #2 (SRV2202-701): See Figure 2 for additional references. Position Log #2 as shown in Figure 4. Mate Log #2 with the right corner of the burner as shown. Pull the log forward and to the left until it locks into position.



Figure 5. Log #3

Log #3 (SRV2202-704): See Figure 2 for additional reference details. Locate the log slot on the bottom right end of Log #3. Mate the log slot with the left log pin. Rotate the left end of the log counterclockwise, until it contacts the grate tine.



Figure 6. Log #4

Log #4 (SRV2202-703): See Figure 2 for additional reference details. Locate the log slot on the bottom left end of log #4. Mate the log slot with the right log pin. Rotate the right end of the log clockwise, until it contacts the grate tine.



Figure 7. Glass Rock in Place

Glass Rock (2201-853): Once Log #3 and Log #4 are installed, fill each light tray with the glass rock.

WARNING! Risk of Explosion! DO NOT place glass rock on the burner surface. DO NOT place glass rock directly over burner ports. Improperly placed glass rock interferes with proper burner operation.

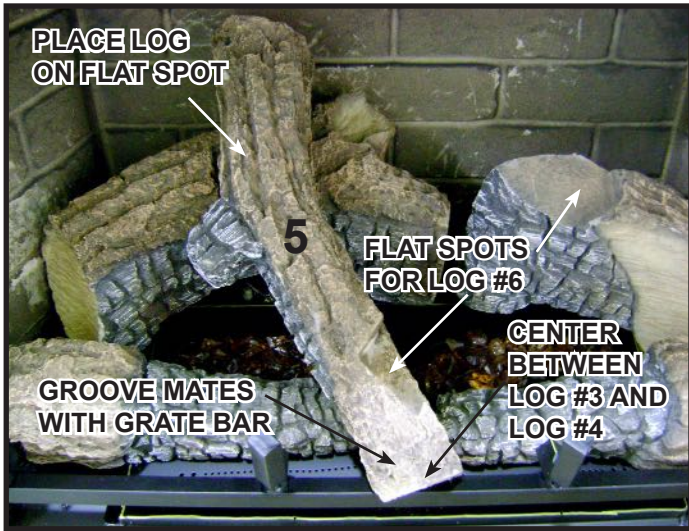


Figure 8. Place Log #5

Log #5 (SRV2202-705): See Figures 2 and 3 for additional references. Place the thick end of Log #5 on the flat spot of Log #1. Locate the groove on the thin end of the log. Mate the groove with the grate bar as shown above. Center the tip of Log #5 between the ends of Log #3 and Log #4.

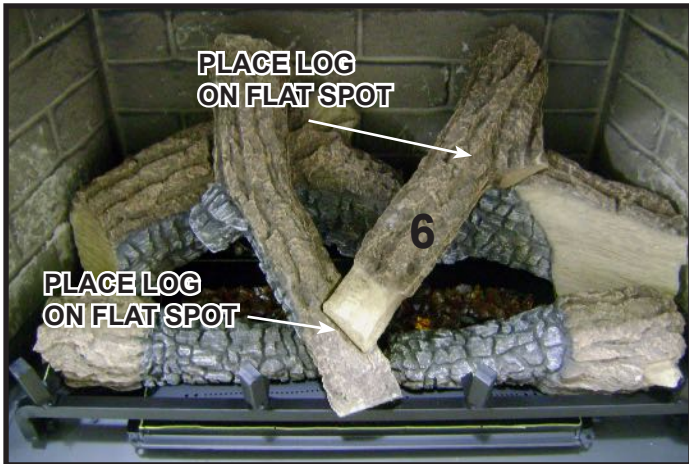


Figure 9. Place Log #6

Log #6 (SRV2202-706): See Figures 2 and 8 for additional references. Place the thick end of the log on the flat spot of Log #2. Place the thin end of Log #6 on the flat spot of Log #5 as shown in Figure 9.

2202-935E

I. IntelliFire Touch Control System Setup

- Detailed instructions for electrical wiring and connections are provided in Section 8.
- Verify that the 3-Position switch on the IFT-ECM is switched to the REMOTE position. Detailed Operating Instructions for the IFT-ECM are provided in Section 3.J of the Owner's Manual.

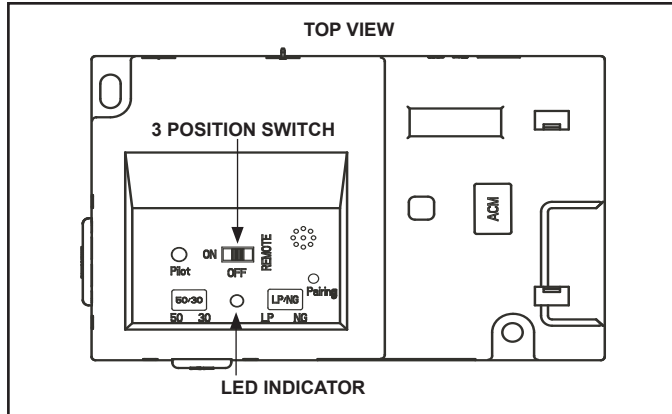


Figure 11.9 IFT-ECM

This appliance is factory-equipped with an IntelliFire Touch remote control. The remote was paired to the fireplace and tested at the factory. It does not need to be paired again, unless an accessory kit will be added at the time of installation. If no additional accessory will be added, simply follow steps one through seven below.

1. If installed, remove batteries from remote.
2. Verify that the new appliance has power and secure electrical connections.
3. Adjust the ECM selector switch to 'REMOTE' mode.
4. Wait to verify LED indicator on the ECM stops flashing.
5. Install batteries in the RC400 remote.
6. The RC400 remote will automatically pair to the appliance as pre-set at the factory.

J. Install Decorative Barrier Front/Surround

A decorative barrier front and surround is required to complete this installation. Installation instructions are included with the decorative barrier front and surround. Consult your dealer for a list of decorative barrier front and surround options.

WARNING! Risk of Fire! Install *ONLY* fronts and surrounds approved by *Hearth & Home Technologies*. Unapproved fronts and surrounds could cause fireplace to overheat.

This fireplace has been supplied with an integral barrier to prevent direct contact with the fixed glass panel. DO NOT operate the fireplace with the barrier removed.

Contact your dealer or *Hearth & Home Technologies* if the barrier is not present or help is needed to properly install one.

For more information refer to the instructions supplied with your decorative barrier front and surround.

K. Appliance Break-In

Follow the initial break-in procedure below to cure the materials used to manufacture the fireplace and the finishing materials around it.

- The fireplace should be run three to four hours continuously on high flame and high fan.
- Turn the fireplace off and allow it to cool completely.
- Remove fixed glass assembly. See Section 4.B.
- Clean fixed glass assembly. See Section 4.B.
- Replace the fixed glass assembly and run continuously on high an additional 12 hours.

Note: For best results, complete second burn with the fan off.

NOTICE! This product comes equipped with fans that provide remote control of heat output. See Section H. Set the fan speed to high on the RC400 remote control during the first three to four hours of break-in operation. This break-in will ensure optimum speed control of the fans during subsequent use.

NOTICE! In some cases, residue may appear on the top fiber refractory piece at the end of the initial break-in period. Remove the residue by gently brushing with a soft-bristle brush.

Note: The IntelliFire Touch system has a safety feature that automatically shuts down the fireplace after 9 hours of continuous operation without receiving a command from the remote control. If this occurs, restart the appliance.

NOTICE! Open windows for air circulation during fireplace break-in.

- Some people may be sensitive to smoke and odors.
- Smoke detectors may activate.

L. Heat Management

Heat Output

Heat Output is managed through the RC400 remote control that comes standard with the fireplace.

- Turn the appliance on and off.
- Adjust the height of the flame by varying the input using the remote control.
- Adjust the fan speed.

For more information, see the instructions that accompany the remote control.

NOTICE! *Set the fan speed to high on the RC400 remote control during the first three to four hours of break-in operation. See Section G. This break-in will ensure optimum speed control of the fans during subsequent use.*

12 Reference Materials

A. Vent Components

Direct Vent Flex Liner Kits (see Figure 12.1)

LINK-DV30B: Masonry 3 in. flex liner kit. Expands to 30 feet. Includes: two liners, termination cap and flashing.

LINK-DV4-30B: Masonry 3 in. flex liner kit. Expands to 30 feet and 4 feet respectively. Includes: two liners, termination cap and flashing.

LINKSQC-DV30, LINKSQB-DV30: Masonry 3 in. flex liner kit. Expands to 30 feet. Includes: two liners, termination cap and flashing.

LINKSQC-DV4-30, LINKSQB-DV4-30: Masonry 3 in. flex liner kit. Expands to 30 feet and 4 feet respectively. Includes: two liners, termination cap and flashing.

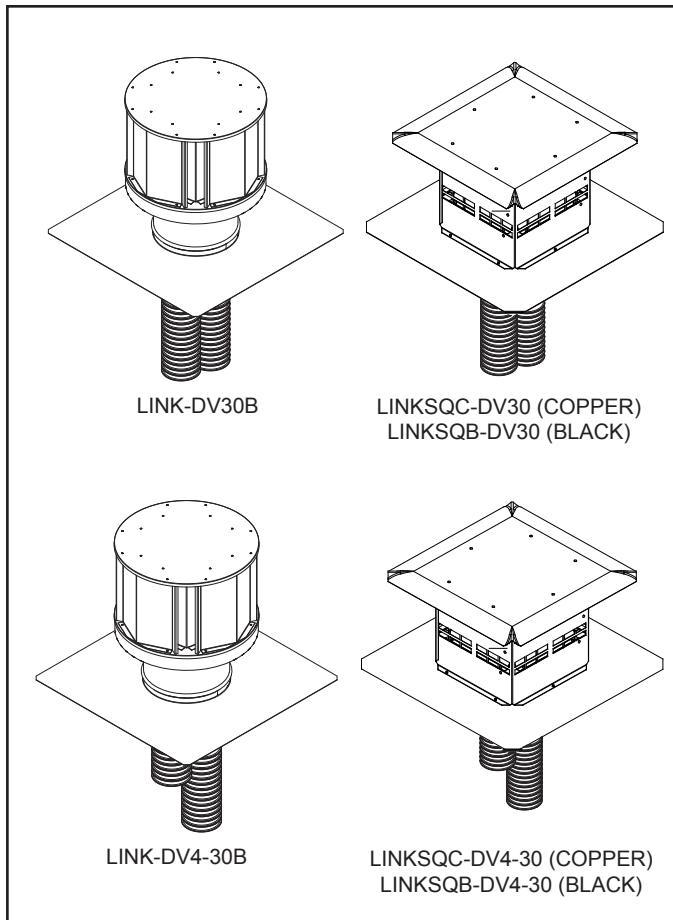


Figure 12.1 Direct Vent Flex Liner Kits

Direct Vent Flex Liner Accessory Kits. See Figure 12.2.

LINK-ZC-ADPB: Zero clearance chimney adapter

DV-46DVA-GK: Adapter kit - It is permissible to use DV-46DVA-GK to connect colinear flex vent to SLP vent pipe to extend the run.

FLEX3-30: One 3 in. flexible liner expands to 30 feet.

FLEX-CNCT: Connector kit - 3 in. liner to 3 in. liner, one connector per kit.

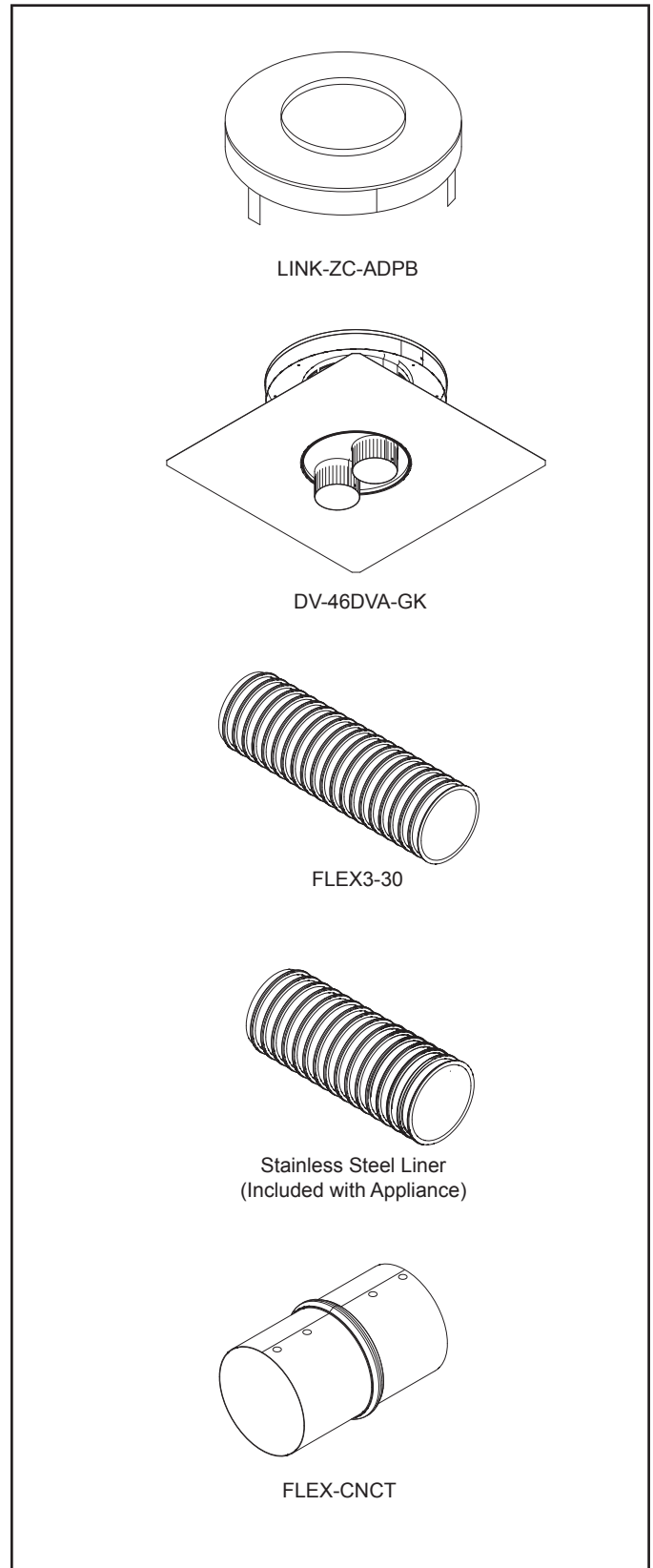


Figure 12.2 Direct Vent Flex Liner Accessory Kits

B. Accessories

Remote Controls, Wall Controls and Wall Switches

An RC400 remote control system is included with this appliance. After a qualified service technician has installed the remote control, wall control or wall switch, follow the instructions supplied with the control installed to operate your fireplace:

For safety:

- Install a switch lock or a wall/remote control with child protection lockout feature.
- Keep remote controls out of reach of children.

See your dealer if you have questions.

Heat & Glo, a brand of Hearth & Home Technologies
7571 215th Street West, Lakeville, MN 55044
www.heatnglo.com

Please contact your Heat & Glo dealer with any questions or concerns.
For the location of your nearest Heat & Glo dealer,
please visit www.heatnglo.com.

Printed in U.S.A. - Copyright 2021