



Replacement Parts List No. 055222600
Revision G 12/2019



McQuay

Central Station Air Handlers Low Pressure

LHD, LYF, LSL, LML, LWL
103 - 228
Vintage C

LML, LSB
106 - 111
Vintage E

Last Manufactured: 1999

Contents

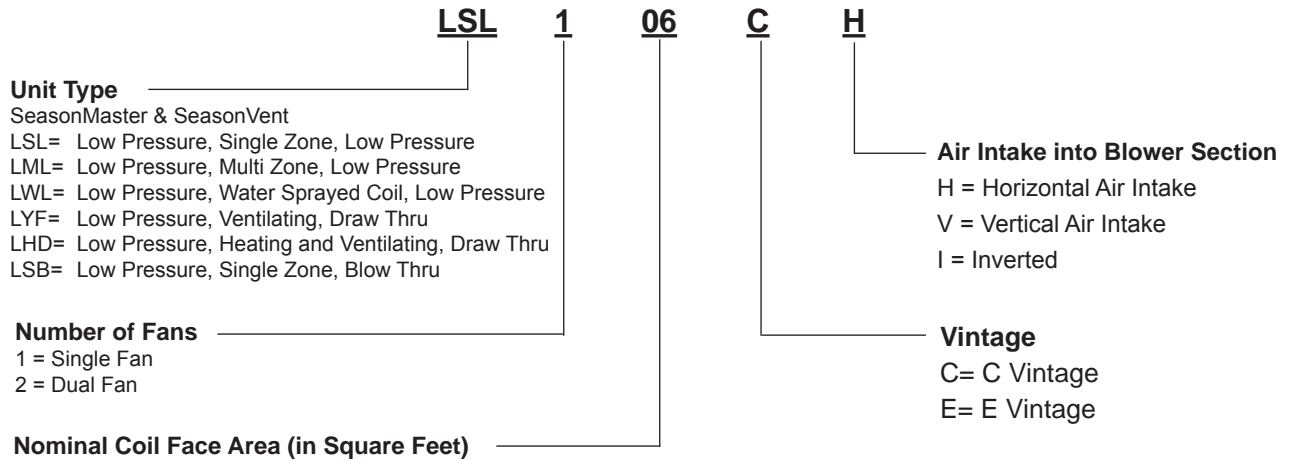
Parts List Revision History	3
Nomenclature	
Model Number	4
Serial Number	4
Unit Code Index	5-8
Coils	
Notes	9
Contractor Coil Code Strings.....	10
Drive Section	
Diagram & Components	11
LSB Motor Location Diagram	12
Motor Mount Components.....	13
Blower Section	
Diagram	14
Blower Wheels	15
Inlet Vane Assemblies	16
Fan Housing	17
Drive Shafts.....	18
Bearings	19
Low Leak Dampers	
Diagram & Assemblies	20
Components For Single Fan Units	21
Components For Dual Fan Units.....	22

Parts List Revision History

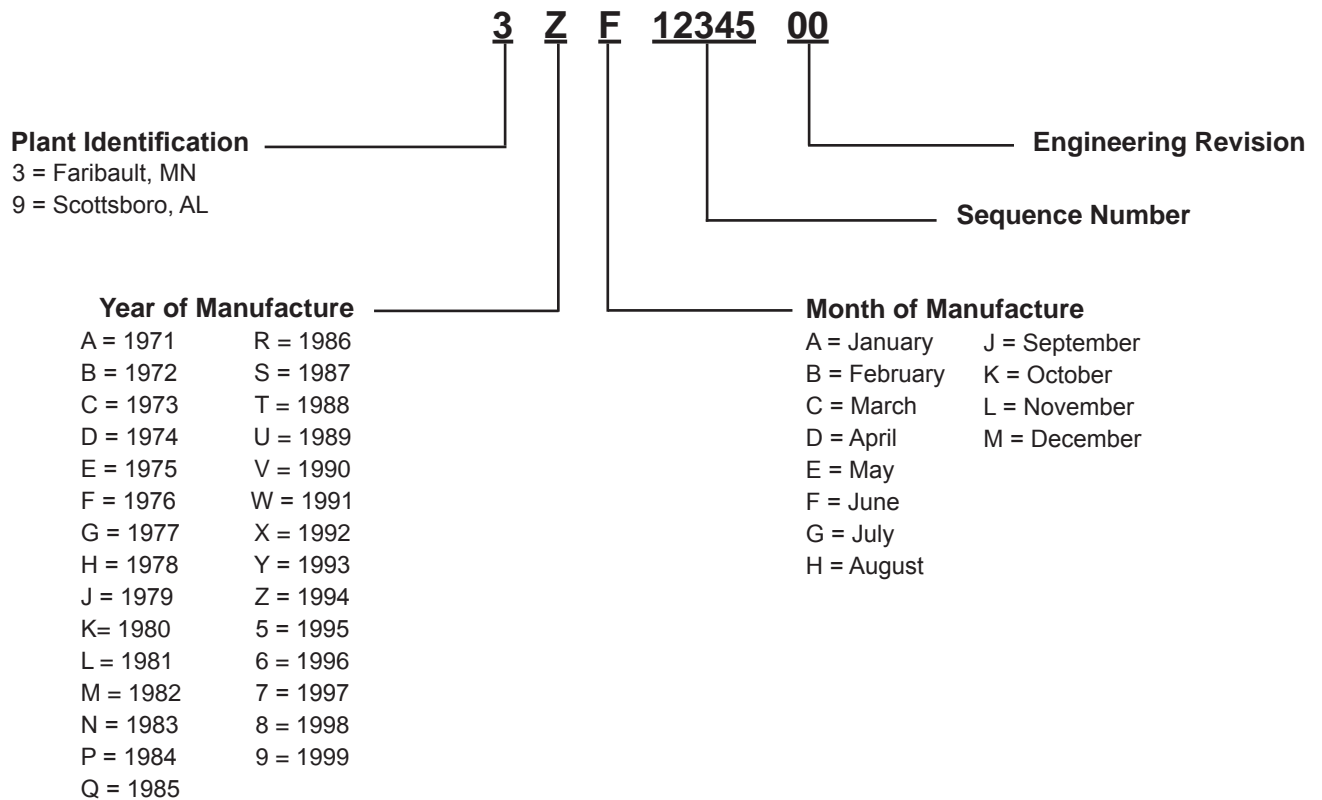
Revision	Date	Description
-	5/94	Original scanned version.
-	6/96	Converted to electronic format.
A	9/01	Changed to single page layout, now 11 pages. Page 2: Revision page updated
B	8/04	Page 10: Forward Curved Units with Inlet Vanes had wrong sizes the correction is as follows; # 049708702 is size 106C/106E, # 049708802 is size 108C/108E & # 049709002 is size 111C/111E.
C	5/10	Converted file to current software and corrected formatting errors. Updated Cover and Revision pages with current design logo. Reorganized form into sections and updated TOC. Page 4: Added Model Number Nomenclature section. Page 5: Added Serial Number Nomenclature section. Page 6- 9: Added Unit Code Index section. Page 10: Added Coil Section . Page 11: Changed Part Number note to " These Parts are ordered per Code Item on original G.O. Contact McQuay Parts with model and serial number information " Page 12: Added LSB Motor Location Diagram section. Page 15: Changed footnote #1 to " Obsolete and no longer available. Contact McQuay Parts for more information. " Page 21, 22: Added Low Leak Damper section.
D	4/11	Pages 21, 22: Changed Damper End Plug p/n 044951206 to 044961206.
E	7/11	Pages 6- 9: Clarified Drive Code 13 by adding in "C" vintage codes. Adjusted text fit.
F	11/11	Page 6: Added "A" code option to Code 06.
G	12/19	Various: Changed " McQuay Parts " to " Daikin Applied ". Page 2: Updated the TOC to current format. Page 4- 8: Misc. updates. Fixed formatting issues & text threading. Page 9: Rewrote Notes & pg. header. Moved updated coil code dwgs. to NEW pg. 10. Page 10 (NEW): Added pg. for coil code dwgs. from pg. 9. Repaginated the form & updated the TOC. Page 11 (OLD) 12 (NEW): Created new dwg. Page 15 (OLD) 16 (NEW): Fixed misc. formatting issues. Added footnote.

Nomenclature

Model Number



Serial Number



Unit Code Index

Code 01= Model (refer to the previous pg. for description)

LHD, LYF, LSL, LML, LWL, LML, LSB

Code 02= Unit Size AND Air Intake direction

Five digit code eg.: "106CV".

103C - 228C OR LML, LSB 106E - 111E AND

H= Horizontal intake

V= Vertical Intake

Code 03= Fan Wheel and Housing

A= Forward Curved Steel Wheel

B= Forward Curved Aluminum Wheel

C= Forward Curved Hot Dipped Galvanized Wheel

D= Airfoil Wheel

E= Forward Curved Steel Wheel with Mechanical Speed Control

F= Airfoil Wheel with Mechanical Speed Control

L= Forward Curved Wheel with Variable Inlet Vanes

V= Airfoil wheel with Variable Inlet Vanes

Code 04= Unit Arrangement

Digit 1, Unit Arrangement

H= Horizontal

V= Vertical

I= Inverted

Digit 2, Cabinet

1= Standard Fan Cabinet

6= Vertical Discharge (LSB Only)

7= Vertical Discharge w/ Cabinet Extension (LSB Only)

Digit 3, Unit Options

0= Basic Unit LH Air Intake

1= Basic Unit RH Air Intake

2= Fan & Diffuser Section LH Air Intake (LSB Only)

3= Fan & Diffuser Section RH Air Intake (LSB Only)

4= Internal Face & Bypass LH Air Intake

5= Internal Face & Bypass RH Air Intake

5= Internal Face & Bypass Top or RH Duct; RH, Bottom or Top Air Intake (LHD Only)

6= External Face & Bypass LH Air Intake

6= External Face & Bypass Top or LH Duct; LH, Bottom or Top Air Intake (LHD Only)

7= External Face & Bypass RH Air Intake

7= External Face & Bypass Top or RH Duct; RH, Bottom or Top Air Intake (LHD Only)

Digit 4, Section Options

1= No Access or Auxiliary Coil Section

1= No Access or Auxiliary Coil Section w/ 1 or 2 Row Coil (LHD Only)

1= No Auxiliary Coil Section (LSB Only)

2= Leaving Air Access Section, no Auxiliary Coil Section

3= No Access Section w/ Auxiliary Coil Section

4= Entering Air Access Section w/ Auxiliary Coil Section

5= Leaving Air Access Section w/ Auxiliary Coil Section

7= Leaving Air Access Section w/ Auxiliary Coil Section when Unit Option (Digit 3) is 6 or 7

8= No Access or Auxiliary Coil section w/ a 3 or 4 Row Coil

Code 05= Mounting Arrangement

A= Top Mounting Holes

B= Bottom Mounting Holes

Code 06= Fan Discharge and Motor Location

1= CH

4= CCBH

7= CD

2= CCH

5= CU

8= CCD

3= CBH

6= CCU

A= Std.

Code 07= Motor Location

For LSB only see LSB Motor Location Diagram otherwise

07= Y.

Code 08= Motor Size

A= .25 HP

F= 1.5 HP

L= 10.0 HP

Q= 40.0 HP

B= .33 HP

G= 2.0 HP

M= 15.0 HP

R= 50.0 HP

C= .50 HP

H= 3.0 HP

N= 20.0 HP

S= 60.0 HP

D= .75 HP

J= 5.0 HP

O= 25.0 HP

T= 75.0 HP

E= 1.0 HP

K= 7.5 HP

P= 30.0 HP

Code 09= Unit Voltage

11= 115/60/1

21= 230/460/3

29= 230/60/3

12= 200/60/3

27= 460/60/3

37= 575/60/3

16= 115/230/60/1

28= 380/50/3

Code 10= Motor Base and Bearings

Y= None

1= Rigid base, Ball Bearing

2= Resilient Base, Sleeve Bearing (LSB Only)

3= Resilient Base, Ball Bearing (LSB Only)

Code 11= Motor RPM and Enclosure

Y= None

A= 1800 RPM, Open Dripproof (ODP)

B= 1800 RPM, Totally Enclosed Fan Cooled (TEFC)

C= 1800 RPM, Explosion Proof

D= 1800/900 RPM, Two Speed, One Winding

E= 1800 RPM, Open Dripproof High Efficiency (ODP)

Code 12= Motor Mounting

Y= None

1= Factory Mounted Motor

2= With Motor, Field Mounted

Code 13= Fan Type/Fan Mount/Drive Selection

Digit 1, Fan and Drive Type Selection

A= Standard Forward Curve Fan, Rigid Fan mount, Variable Speed Drive

B= Low Pressure Forward Curve Fan, Adjustable Speed Drive (C Vintage)

B= Standard Forward Curve Fan, Isolated Fan mount, Variable Speed Drive

C= Medium Pressure Forward Curve Fan, Adjustable Speed Drive (C vintage)

C= Optional Forward Curve Fan, Rigid Fan mount, Variable Speed Drive

D= Airfoil Fan, Adjustable Speed Drive (C vintage)

D= Optional Forward Curve Fan, Isolated Fan mount, Variable Speed Drive

E= Standard Airfoil Fan, Rigid Fan mount, Variable Speed Drive

F= Airfoil Fan, Fixed Drive (C Vintage)

F= Standard Airfoil Fan, Isolated Fan mount, Variable Speed Drive or Fixed Drive with Maxi Drive

G= Optional Airfoil Fan, Rigid Fan mount, Variable Speed Drive

H= Optional Airfoil Fan, Isolated Fan mount, Variable Speed Drive

J= Standard Forward Curve Fan, Rigid Fan mount, Fixed Speed Drive

K= Standard Forward Curve Fan, Isolated Fan mount, Fixed Speed Drive

L= Low Pressure Forward Curve Fan, Fixed Drive (C Vintage)

L= Optional Forward Curve Fan, Rigid Fan mount, Fixed Speed Drive or Fixed Speed Drive with Maxi Drive

M= Medium Pressure Forward Curve Fan, Fixed Drive (C Vintage)

M= Optional Forward Curve Fan, Isolated Fan mount, Fixed Speed Drive or Fixed Speed Drive with Maxi Drive

N= Standard Airfoil Fan, Rigid Fan mount, Fixed Speed Drive

P= Standard Airfoil Fan, Isolated Fan mount, Fixed Speed Drive

Q= Optional Airfoil Fan, Rigid Fan mount, Fixed Speed Drive

R= Optional Airfoil Fan, Isolated Fan mount, Fixed Speed Drive

Continued on next page.

Unit Code Index, Continued

Code 13= Fan/Fan Type/Fan Mount/Drive Selection, Cont.

Digit 2 & 3, Drive Selection

Contact Daikin Applied with model and serial number information in order to identify the needed part(s).

Digit 4, Fan Discharge

- 1= Code 06 equals 1, or 2
- 2= Code 06 equals 3, or 4
- 3= Code 06 equals 5, or 6
- 4= Code 06 equals 7, or 8

Digit 4, Fan Discharge (LSB Only)

- 1= Code 07 equals 1
- 2= Code 07 equals 2
- 3= Code 07 equals 3
- 4= Code 07 equals 4

Code 14= Lubrication Lines & Insulation

- 1= Standard Lube lines 1", 3/4# Insulation
- 2= Standard Lube lines No Insulation
- 3= Standard Lube lines 1", 1 1/2# Insulation
- 4= Standard Lube lines 1", 3# Insulation
- 5= Copper Lube Lines 1", 3/4# Insulation
- 6= Copper Lube lines No Insulation
- 7= Copper Lube Lines 1", 1 1/2# Insulation
- 8= Copper Lube lines 1", 3# Insulation
- A= Standard Lube Lines & Liner Options (LSB Only. Code 39 must not be YY.)
- B= Copper Lube Lines & Liner Options (LSB Only. Code 39 must not be YY.)

Code 15= Zone Dampers (LML Only)

- AA= Zone Damper with Hot Deck Shaft Extension
- BB= Zone Damper with Cold Deck Shaft Extension
- CC= Double Duct Collar Only
- 2A= 2 Deck Zone Damper with Hot Deck Shaft Extension
- 2B= 2 Deck Zone Damper with Cold Deck Shaft Extension
- 2C= Double Duct Collar
- 3A= 3 Deck Zone Damper with Hot Deck Shaft Extension
- 3B= 3 Deck Zone Damper with Cold Deck Shaft Extension
- 3C= Triple Duct Collar
- XX= Special

Code 16= Accessory Arrangement

Digit 1, Accessory Section Code 04= H*** or I***

- Y= None
- A= Filter Section Only
- B, C, D= Filter Section and or Mixing Box with Dampers
- E, F, G= Filter Section and or Mixing Box without Dampers

Digit 1, Accessory Section Code 04= V***

- Y= None
- H, K, M= Base Mounted Filter Section and or Mixing Box with Dampers
- J, L, N= Base Mounted Filter Section and or Mixing Box without Dampers

Digit 2, Filter Section

- 0= No Filters
- 1= Flat Filters End Removal
- 2= Flat Filters Right Side or Bottom Removal
- 3= Flat Filters Left Side or Top Removal
- 4= Angular Filters
- 5= Heavy Duty Angular Filters

Digit 3, Filter Type

- 0= None
- 1= Throwaway
- 2= Cleanable Low Velocity
- 3= Cleanable High Velocity
- 4= Throwaway, 35% Pleated

Code 17= Auxiliary Coil Section

- Y= None
- S= Small Coil
- L= Large Coil

Code 18= Auxiliary Coil Type and Rows

For coil features see Contractor Coil codes in Unit Coil Section.

- YYYYYYYYYYY= None
- XXXXXXXXXXX= Special Coil

Code 19= Auxiliary Coil Connection Location

- Y= None
- D= Drive End
- E= Opposite Drive End

Code 20= Standard Coil Section, 1st Coil

- Y= None
- S= Small Coil
- L= Large Coil
- E= Extra Large Coil

Code 21= Coil Types and Rows, 1st Coil

For coil features see Contractor Coil codes in Unit Coil Section.

- YYYYYYYYYYYYYYY= None
- XXXXXXXXXXXXXXXXX= Special Coil

Code 22= Coil Connection Location, 1st Coil

- D= Drive End
- E= Opposite Drive End

Code 23= Standard Coil Section, 2nd Coil

- Y= None
- H= Heating Coil
- S= Small Coil
- L= Large Coil
- E= Extra Large Coil

Code 24= Coil Types and Rows, 2nd Coil

For coil features see Contractor Coil codes in Unit Coil Section.

- YYYYYYYYYYYYYYY= None
- XXXXXXXXXXXXXXXXX= Special Coil

Code 25= Coil Connection Location, 2nd Coil

- Y= None
- D= Drive End
- E= Opposite Drive End

Code 26= Standard Coil Section, 3rd Coil

- Y= None
- S= Small Coil
- L= Large Coil
- E= Extra Large Coil

Code 27= Coil Types and Rows, 3rd Coil

For coil features see Contractor Coil codes in Unit Coil Section.

- YYYYYYYYYYYYYYY= None
- XXXXXXXXXXXXXXXXX= Special Coil

Code 28= Coil Connection Location, 3rd Coil

- Y= None
- D= Drive End
- E= Opposite Drive End

Unit Code Index, Continued

Code 29= Optional Features

Y= None

A= Gasketed Damper Blades on Mixing Box & Bypass Dampers

C= Flex Connector on Blower Intake

D= Flex Connector on Blower Discharge

E= Flex Connector on Blower Intake & Discharge

F= Stainless Steel Drain Pan or Liner

H= Galvanized Steel Moisture Eliminators

J= Stainless Steel Moisture Eliminators

K= Insulated Mixing Box

L= Items A & F

M= Enclosed Belt Guard

W= Outdoor Construction less Weatherhood

X= Special

Code 30= Plug-In Door (Blower Section)

Digit 1, Access Door Location

Y= None

1= Top Opposite Drive End

2= Side Opposite Drive End

X= Special

Digit 2, Access Door Dimensions

Y= None

A= 8" x 9"

B= 12" x 24"

C= 18" x 24"

D= 36" x 48"

X= Special

Code 31= Plug-In Door (Coil Section)

Digit 1, Access Door Location

Y= None

6= Drive End

7= Opposite Drive End

X= Special

Digit 1, Access Door Location (LML/LSB Only)

Y= None

8= Drive End

9= Opposite Drive End

X= Special

Digit 2, Access Door Dimensions

Y= None

B= 12" x 24"

C= 18" x 24"

X= Special

Digit 2, Access Door Dimensions (LML/LSB Only)

Y= None

D= Full Hinged

B= 12" x 24"

C= 18" x 24"

X= Special

Code 32= Miscellaneous

Y= None

X= Special

Code 33= Balance Plate (LML Only)

Digit 1, Coil Type

Y= None

H= Heating

C= Cooling

X= Special

Digit 2 & 3, Balance Plate Size

For more information contact Daikin Applied

Code 34= ARI Approval

Code 35= Packaging

Code 36= Latest Code Sheet Revision

Code 36= Coil or Diffuser Sections Insulation Liners 1" Only (LSB Only)

Digit 1, Type of Liners (LSB Only)

Y= None

1= 1", 3/4# Insulation

2= 1", 1 1/2# Insulation

3= 1" 3# Insulation

4= 1", 3/4# Foil Faced Insulation

Digit 2, Type of Liners (LSB Only)

Y= None

P= Perforated Liners

S= Solid Liners

X= Special

Code 37, 38= Warranty Codes (LSB Only)

Code 39= Blower Section Liners (LSB Only)

Digit 1, Type of Insulation (LSB Only)

Y= None

A= 2" 1 1/2# Insulation

X= Special

Digit 2, Type of Liner (LSB Only)

Y= None

S= Solid Liner

P= Perforated Liner

X= Special

Code 40= Coil Section Liners (LSB Only)

Digit 1, Type of Insulation (LSB Only)

Y= None

A= 2" 1 1/2# Insulation

X= Special

Digit 2, Type of Liner (LSB Only)

Y= None

S= Solid Liner

P= Perforated Liner

X= Special

Code 41= Auxiliary Coil Section Liners (LSB Only)

Digit 1, Type of Insulation (LSB Only)

Y= None

A= 2" 1 1/2# Insulation

X= Special

Digit 2, Type of Liner (LSB Only)

Y= None

S= Solid Liner

X= Special

Code 42= Filter Section Liners (LSB Only)

Digit 1, Type of Insulation (LSB Only)

Y= None

A= 2" 1 1/2# Insulation

X= Special

Digit 2, Type of Liner (LSB Only)

Y= None

S= Solid Liner

X= Special

Unit Code Index, Continued

Code 43= Mixing Box Liners (LSB Only)

Digit 1, Type of Insulation (LSB Only)

Y= None

A= 2" 1 1/2# Insulation

X= Special

Digit 2, Type of Liner (LSB Only)

Y= None

S= Solid Liner

X= Special

Code 44= Not A Central Station Air Handler Code

YY= None

Code 45= Auxiliary Coil Section Liners (LSB Only)

Digit 1, Type of Insulation (LSB Only)

Y= None

A= 2" 1 1/2# Insulation

X= Special

Digit 2, Type of Liner (LSB Only)

Y= None

S= Solid Liner

X= Special

Coils

Notes

All Central Station Air Handlers use Contractor style Heating, Cooling, Reheat, and/or DX Coils. Contractor Coils are offered in multiple fin heights to allow the user to select the coil size to match the air flow. Contractor Coils offer a wider range of circuitings, rows and fins, and materials than the standard Unit Coil.

Contractor Coils are always quoted as needed when needed, so they DO NOT HAVE STANDARD ORDERABLE OR "HARD/PERMANENT" NINE DIGIT DAIKIN APPLIED PART NUMBERS.

When a replacement Coil is required, a Contractor Coil quote needs to be prepared. To quote a replacement Contractor Coil it is necessary to obtain model and serial number information from the Unit Nameplate and then contact Daikin Applied.

If the unit has more than one Coil it will also be necessary to confirm which Coil(s) are needed BEFORE quoting. If there is more than one coil in the unit, confirm WHICH coil is needed and the TOTAL NUMBER of coils required BEFORE ordering.

In some instances coils were manufactured separately from the unit and may have a unique serial number eg.: 9Z12345-00. A coil with a serial number starting with a "9" was built in Scottsboro AL and may or may not have been installed in a unit before shipment.

Note that the sample code strings shown on the following page are INCOMPLETE and DO NOT furnish enough information for Daikin Applied to quote. General Order (GO) and/or serial number information is required in order to properly quote a Contractor Coil.

Coils

Contractor Coil Code Strings ¹

5W H - 10 02 C - 033.00 - 090.00

<p>COIL TYPE</p> <p>Water: 5M, 5W, 5K, 5P, 5Q Booster: 5B</p> <p>CIRCUITING</p> <p>Water:</p> <p>Q = 1/4 Serpentine H = 1/2 Serpentine L = 3/4 Serpentine S = 1 Serpentine M = 1-1/2 Serpentine D = 2 Serpentine B = 3" Tube Center</p> <p>Booster:</p> <p>S = 1 Circuit D = 2 Circuit B = 3" Tube Center</p>	<p>FINNED LENGTH (INCHES)</p> <p>FIN HEIGHT (INCHES)</p> <p>FIN DESIGN</p> <p>B = 01, 02, 03 & 04 ROW E-F5 C = 01, 02, 03 & 04 ROW HI-F5</p> <p>ROWS DEEP (01, 02, 03, 04)</p> <p>FINS PER INCH (06, 07, 08, 09, 10, 11, 12, 13, 14)</p>
---	---

5 SA - 12 02 C - 033.00 - 090.00

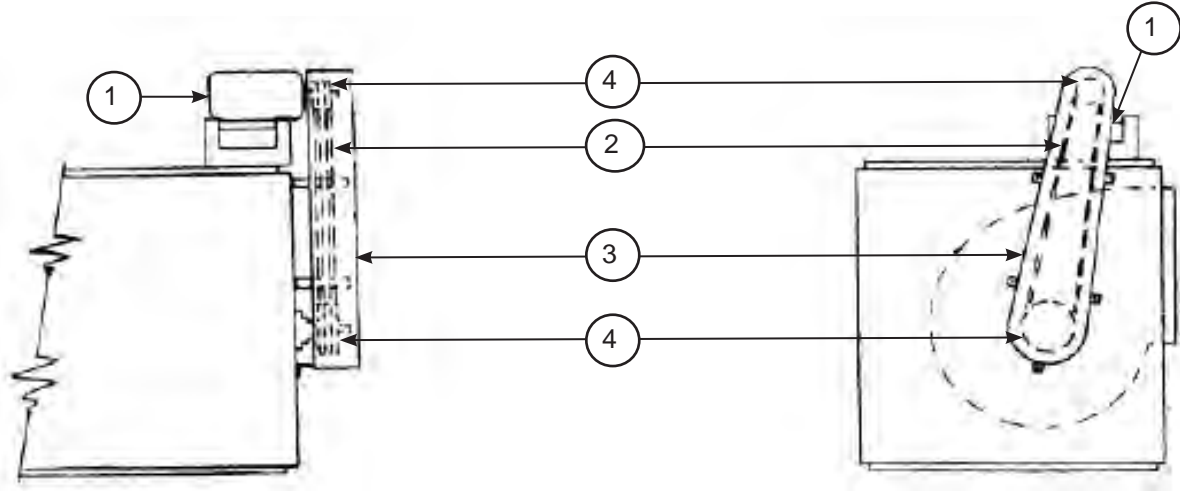
<p>TUBE O.D.:</p> <p>5 = 5/8 inch 8 = 1 inch</p> <p>COIL TYPE:</p> <p>5SA = Single tube, opposite end connection 5JA,8JA = Distributing tube, same end connection 8RA = Distributing tube, opposite end connection 5HA = High pressure construction, single tube, opposite end connection 5GA,8GA = High pressure construction, distributing tube, same end connection 8TA = High pressure construction, distributing tube, opposite end connection</p>	<p>FINNED LENGTH (INCHES)</p> <p>FIN HEIGHT (INCHES)</p> <p>FIN DESIGN:</p> <p>B = 01 & 02 ROW E-F5 C = 01 & 02 ROW HI-F5 B = 01 ROW HI-F8 (1")</p> <p>ROWS DEEP:</p> <p>HI-F5, E-F5 (01, 02) HI-F8 (01)</p> <p>FINS PER INCH:</p> <p>HI-F5, E F5 (06, 07, 08, 09, 10, 11, 12, 13, 14) HI-F8 (03, 04, 05, 06, 07, 08, 09, 10, 11, 12, 13, 14)</p>
---	--

5W S - 10 06 C - 18 x 45

<p>COIL TYPE</p> <p>Water: 5M, 5W Evaporator: 5E</p> <p>CIRCUITING</p> <p>Water:</p> <p>H = 1/2 Serpentine L = 3/4 Serpentine S = 1 Serpentine M = 1-1/2 Serpentine D = 2 Serpentine</p> <p>Evaporator:</p> <p>N = Normal F = Face Control R = Row Control J = Interlaced K = Interlaced Face Control</p>	<p>FINNED LENGTH (INCHES)</p> <p>FIN HEIGHT (INCHES)</p> <p>FIN DESIGN</p> <p>C = HI-F5 B = E-F5</p> <p>ROWS DEEP (02, 03, 04, 05, 06, 08, 10, 12)</p> <p>FINS PER INCH (06, 07, 08, 09, 10, 11, 12, 13, 14)</p>
---	--

¹ Note that the sample code strings shown above are INCOMPLETE and DO NOT furnish enough information for Daikin Applied to quote. General Order (GO) and/or serial number information is required in order to properly quote a Contractor Coil.

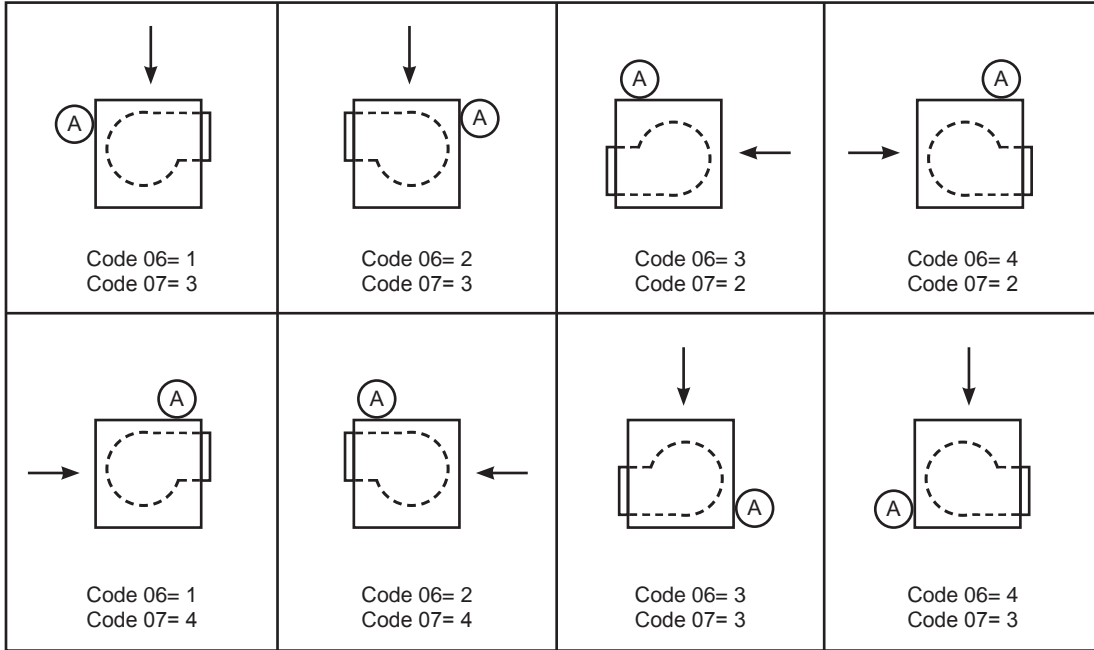
Drive Section Diagram & Components



Bub. No.	Description	Part Number	Unit Sizes													
			103C	104C	106C, 106E	108C, 108E	111C, 111E	206C	209C	214C	217C	222C	228C			
1	MOTOR	These Parts are ordered per Code Item on original G.O. Contact Daikin Applied with model and serial number information.														
2	BELT															
3	BELT GUARD															
4	SHEAVES															
N/S	BUSHING															

Drive Section

LSB Motor Location Diagram



A= Motor Location.
 → = Air intake direction.

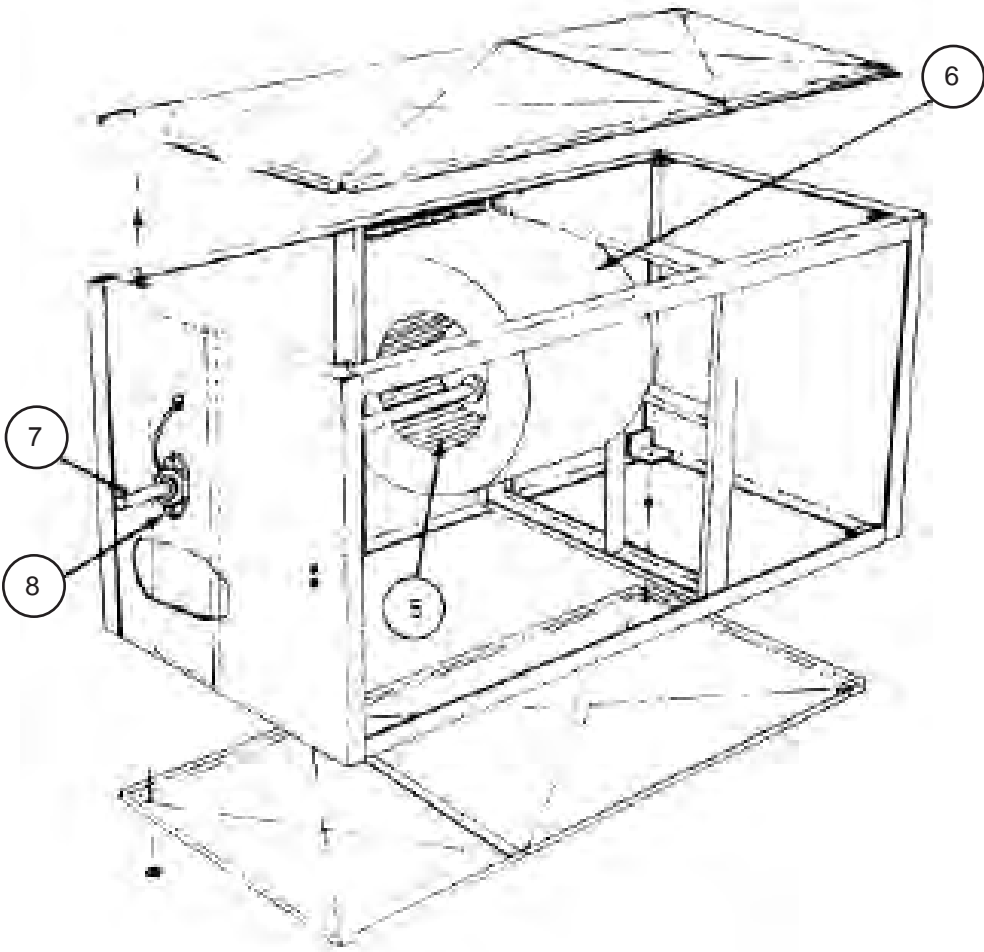
Drive Section

Motor Mount Components

Description	Part Number	Motor Frame Size ¹											
		48	56	143T	145T	182T	184T	213T	215T	254T	256T	284T	286T
1/4 HP THRU 2 HP MOTOR													
MOTOR MOUNT WITH MOUNTING HARDWARE	029304401	1	1	1	1								
3 HP THRU 5 HP MOTOR													
MOTOR MOUNT WITH MOUNTING HARDWARE	029304402					1	1						
7-1/2 HP THRU 10 HP MOTOR													
MOTOR MOUNT WITH MOUNTING HARDWARE	029304403							1	1				
15 HP THRU 20 HP MOTOR													
MOTOR MOUNT WITH MOUNTING HARDWARE	029304404									1	1		
25 HP THRU 30 HP MOTOR													
MOTOR MOUNT WITH MOUNTING HARDWARE	029304405											1	1

¹ Based on normal NEMA frame sizes.

Blower Section Diagram



Blower Section

Blower Wheels

Bub. No.	Description	Part Number	Unit Sizes									
			103C	104C	106C, 106E	108C, 108E	111C, 111E	206C	209C	214C	217C	222C
AIRFOIL UNITS - OPTIONAL												
5	NO. 1225, DIDW, CLASS II	023392412			1							
5	NO. 1350, DIDW, CLASS II	023392413				1						
5	NO. 1500, DIDW, CLASS II	023392414					1					
5	NO. 1825, DIDW, CLASS II	023392415							1	1		
5	NO. 2225, DIDW, CLASS II	023392416									1	1
FORWARD CURVED, HOT DIPPED GALVANIZED ¹												
5	NO. 1225, FCDW, CLASS I	028553119			1				2			
5	NO. 1550, FCDW, CLASS I	028553319				1						
5	NO. 1650, FCDW, CLASS I	028553423					1				2	
5	NO. 1350, FCDW, CLASS I	028553219							2			
5	NO. 1500, FCDW, CLASS I	028553323								2		
5	NO. 2000, FCDW, CLASS I	028553531										2
FORWARD CURVED, ALUMINUM - OPTIONAL												
5	NO. 1225, FCDW, CLASS I	012730019			1				2			
5	NO. 1550, FCDW, CLASS I	014575419				1						
5	NO. 1650, FCDW, CLASS I	012729423					1				2	
5	NO. 1350, FCDW, CLASS I	014576319							2			
5	NO. 1500, FCDW, CLASS I	014575423								2		
5	NO. 2000, FCDW, CLASS I	014577131										2
FORWARD CURVED, STEEL - FCDW												
5	STANDARD, 1.0" BORE	019089400	1									
5	OPTIONAL, HI STATIC, 1.1875" BORE	027666700	1									
5	STANDARD, 1.0" BORE	019089300		1								
5	OPTIONAL, HI STATIC, 1.4375" BORE	017962400		1								
5	STANDARD, CLASS I	028036500						2				
5	STANDARD, NO. 1225, CLASS I	012587119			1				2			
5	STANDARD, NO. 1350, CLASS I	012587519								2		
5	STANDARD, NO. 1500, CLASS I	012587919				1						
5	STANDARD, NO. 1500, CLASS I	012587923									2	
5	STANDARD, NO. 1650, CLASS I	012588323					1					2
5	STANDARD, NO. 2000, CLASS I	012589131										2

¹ Obsolete and no longer available. Contact Daikin Applied for more information.

Blower Section

Inlet Vane Assemblies ¹

Bub. No.	Description	Part Number	Unit Sizes												
			103C	104C	106C, 106E	108C, 108E	111C, 111E	206C	209C	214C	217C	222C	228C		
N/S	FORWARD CURVE ASSEMBLY, CW	049752615			1										
N/S	FORWARD CURVE ASSEMBLY, CCW	049752616			1										
N/S	FORWARD CURVE ASSEMBLY, CW	049752603				1									
N/S	FORWARD CURVE ASSEMBLY, CCW	049752604				1									
N/S	FORWARD CURVE ASSEMBLY, CW	049752605					1								
N/S	FORWARD CURVE ASSEMBLY, CCW	049752606					1								
N/S	AIRFOIL, CW	024029709								1	1				
N/S	AIRFOIL, CCW	024029710								1	1				
N/S	AIRFOIL, CW	024029713											1	1	
N/S	AIRFOIL, CCW	024029714											1	1	

N/S = Not shown on diagram.

¹ Note that Inlet Vane Assemblies may be obsolete and no longer available. Contact Daikin Applied with model and serial number information to confirm part availability BEFORE ordering.

Blower Section Fan Housings

Bub. No.	Description	Part Number	Unit Sizes									
			103C	104C	106C, 106E	108C, 108E	111C, 111E	206C	209C	214C	217C	222C
FOR USE WITH FORWARD CURVED WHEELS												
	WITHOUT INLET VANES											
6	STANDARD - FCDW	049487800	1									
6	OPTIONAL - FCDW, HI STATIC	065892700	1									
6	STANDARD - FCDW	019093600		1								
6	OPTIONAL - FCDW, HI STATIC	049487400		1								
6	STANDARD - FCDW, NO. 12	027965601			1				2			
6	STANDARD - FCDW, NO. 13	027965602								2		
6	STANDARD - FCDW, NO. 15	027965603				1					2	
6	STANDARD - FCDW, NO. 16	027965604					1					2
6	STANDARD - FCDW, NO. 20	027965605										2
6	STANDARD - FCDW	049487900						2				
	WITH INLET VANES											
6	DESIGN U NO. 12	049707201			1							
6	DESIGN U NO. 15	049707202				1						
6	DESIGN U NO. 16	049707203					1					
FOR USE WITH AIRFOIL WHEELS WITHOUT INLET VANES. For units with Inlet Vanes consult Daikin Applied.												
6	DWAF, DESIGN UR NO. 12	027464101			1							
6	DWAF, DESIGN UR NO. 15	027464102				1						
6	DWAF, DESIGN UR NO. 16	027464103					1					
6	DWAF, DESIGN URA NO. 18	027464104							1	1		
6	DWAF, DESIGN URA NO. 22	027464105									1	1

Blower Section Drive Shafts

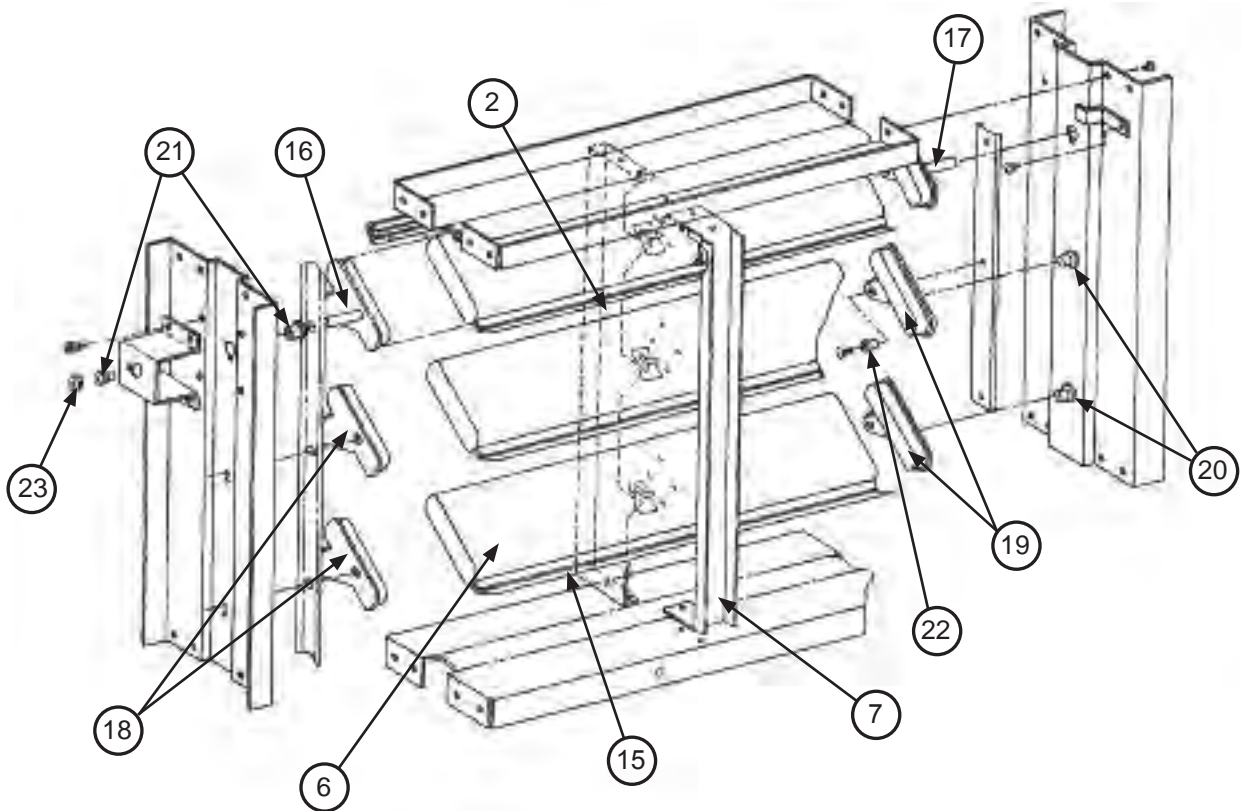
Sub. No.	Description	Part Number	Unit Sizes									
			103C	104C	106C, 106E	108C, 108E	111C, 111E	206C	209C	214C	217C	222C
AIRFOIL UNITS - CCW												
7	1-3/16" DIA.	45.00" L	027555301			1						
7	1-7/16" DIA.	46.00" L	027555401				1					
7	1-7/16" DIA.	54.00" L	027555501					1				
7	1-15/16" DIA.	66.00" L	027692400						1			
7	1-15/16" DIA.	73.00" L	027692500							1		
7	2-3/16" DIA.	80.00" L	027692600								1	
7	2-3/16" DIA.	92.00" L	027692700									1
AIRFOIL UNITS - CW												
7	1-3/16" DIA.	45.00" L	027555301			1						
7	1-7/16" DIA.	46.00" L	027555401				1					
7	1-7/16" DIA.	54.00" L	027555501					1				
7	1-15/16" DIA.	66.00" L	027555600						1			
7	1-15/16" DIA.	73.00" L	027555700							1		
7	2-3/16" DIA.	80.00" L	027555801								1	
7	2-3/16" DIA.	92.00" L	027555000									1
FORWARD CURVED UNITS WITHOUT INLET VANES												
7	1" DIA. , STANDARD	42.00" L	028072101	1								
7	1-3/16" DIA., HI STATIC	42.00" L	027785801	1								
7	1" DIA., STANDARD	48.00" L	028072201		1							
7	1-7/16" DIA. HI STATIC	47.50" L	016680401		1							
7	1-3/16" DIA.	45.00" L	028072301			1						
7	1-3/16" DIA.	65.00" L	028072401					1				
7	1-3/16" DIA.	45.00" L	028072501				1					
7	1-3/16" DIA.	78.00" L	028072601						1			
7	1-7/16" DIA.	52.00" L	028072701					1				
7	1-3/16" DIA.	78.00" L	028072800							1		
7	1-7/16" DIA.	90.00" L	028072900								1	
7	1-7/16" DIA.	96.00" L	028073000									1
7	1-15/16" DIA.	116.00" L	028073200									1
FORWARD CURVED UNITS WITH INLET VANES												
7	1-3/16" DIA.	47.00" L	049708702			1						
7	1-3/16" DIA.	47.00" L	049708802				1					
7	1-7/16" DIA.	55.50" L	049709002					1				

Blower Section Bearings

Bub. No.	Description	Part Number	Unit Sizes									
			103C	104C	106C, 106E	108C, 108E	111C, 111E	206C	209C	214C	217C	222C
AIRFOIL UNITS - FLANGE												
8	1-3/16" BORE	020649302			1							
8	1-7/16" BORE	020649303				1	1					
8	1-15/16" BORE	020649305							1	1		
8	2-3/16" BORE	020649306									1	1
AIRFOIL UNITS - PILLOW BLOCK												
N/S	1-3/16" BORE	020648612			2							
N/S	1-7/16" BORE	020648601				2	2					
N/S	1-15/16" BORE	020648603							2	2		
N/S	2-3/16" BORE	020648604									2	2
FORWARD CURVED UNITS - FLANGE												
8	1" BORE, STANDARD WHEEL	020649301	2	2								
8	1-3/16" BORE, HI STATIC WHEEL	020649302	2									
8	1-7/16" BORE, HI STATIC WHEEL	020649303		2								
8	1-3/16" BORE	020649302			1	1		1	1	1		
8	1-7/16" BORE	020649303					1				1	1
8	1-15/16" BORE	020649305										1
FORWARD CURVED UNITS - PILLOW BLOCK												
N/S	1-3/16" DIA. BORE	020648612			1	1		2	2	2		
N/S	1-7/16" DIA. BORE	020648601					1				2	2
N/S	1-15/16" DIA. BORE	020648603										2

N/S = Not shown on diagram.

Low Leak Dampers Diagram & Assemblies



Damper Assemblies, Single Fan Units ¹

Bub. No.	Description	Part Number	Unit Size				
			103	104	106	108	111
5	Low Leak Damper Assembly 12 3/8" x 25 3/8"	045814200	1				
5	Low Leak Damper Assembly 12 3/8" x 31 3/8"	045814300		1			
5	Low Leak Damper Assembly 12 3/8" x 41 3/8"	045814400			1		
5	Low Leak Damper Assembly 18 3/8" x 39 3/8"	045814800				1	
5	Low Leak Damper Assembly 18 3/8" x 54 3/8"	045814900					1

Damper Assemblies, Dual Fan units ¹

Bub. No.	Description	Part Number	Unit Size					
			206	209	214	217	222	228
5	Low Leak Damper Assembly 12 3/8" x 60 3/8"	045814500	1					
5	Low Leak Damper Assembly 12 3/8" x 74 3/8"	045814600		1				
5	Low Leak Damper Assembly 18 3/8" x 69 3/8"	045815200			1			
5	Low Leak Damper Assembly 18 3/8" x 84 3/8"	045815100				1		
5	Low Leak Damper Assembly 24 1/8" x 88 3/8"	045815200					1	
5	Low Leak Damper Assembly 24 1/8" x 111 3/8"	048544901 ²						1

¹ No actuator motors, actuator linkage, sensors, or controls were supplied with Central Station Air Handlers.

² For units built before 12/86 use Damper p/n: 045815300.

Low Leak Dampers Components for Single Fan Units

Bub. No.	Description	Part Number	Qty. for Unit Size				
			103	104	106	108	111
6	Damper Blade (Less Gasket)	044193201	2				
	Damper Blade (Less Gasket)	044193202		2			
	Damper Blade (Less Gasket)	044193203			2		
	Damper Blade (Less Gasket)	058386806				3	
	Damper Blade (Less Gasket)	044193207					3
7	Damper Blade Center Support	045812800	NA	NA	NA	NA	2
15	Damper Blade Gasket						
	Gasket ordered by the foot as required	029870900	-	-	-	-	-
16	Driven Damper Blade End Plug Assy. RH	044961205	1	1	1	1	1
17	Driven Damper Blade End Plug Assy. LH	044961206	1	1	1	1	1
18	Non Driven Damper End Plug RH	041003505	1	1	1	2	2
19	Non Driven Damper End Plug LH	041003506	1	1	1	2	2
20	Nylon Damper Blade Bushing	043730400	2	2	2	4	4
21	Nylon Damper Blade Drive Shaft Bushing	043734000	4	4	4	4	4
22	Nylon Linkage Bar Bushing	046098300	4	4	4	6	6
23	0.50" Locking Collar	049115902	2	2	2	2	2

Low Leak Dampers Components For Dual Fan Units

Bub. No.	Description	Part Number	Qty. for Unit Size					
			206	209	214	217	222	228
2	Blade Support (After 12/86)	048544401	NA	NA	NA	NA	NA	1
6	Damper Blade (Less Gasket)	058386804	2					
	Damper Blade (Less Gasket)	058386805		2				
	Damper Blade (Less Gasket)	058386808			3			
	Damper Blade (Less Gasket)	044193209				3		
	Damper Blade (Less Gasket)	044193301					3	
	Damper Blade (Less Gasket Before 12/86)	046280301						3
	Damper Blade (Less Gasket After 12/86)	047793301						3
7	Damper Blade Center Support	045812900	2	2				
	Damper Blade Center Support	045812800			2	2		
	Damper Blade Center Support	044961300					2	
	Damper Blade Center Support (Before 12/86)	044961300						2
	Damper Blade Center Support (After 12/86)	048544601						1
15	Damper Blade Gasket							
	Gasket ordered by the foot as required	029870900	-	-	-	-	-	-
16	Driven Damper Blade End Plug Assy. RH	044961205	1	1	1			
	Driven Damper Blade End Plug Assy. RH	067249205				1		
	Driven Damper Blade End Plug Assy. RH	044961208					1	1
17	Driven Damper Blade End Plug Assy. LH	044961206	1	1	1			
	Driven Damper Blade End Plug Assy. LH	067249206				1		
	Driven Damper Blade End Plug Assy. LH	044961209					1	1
18	Non Driven Damper End Plug RH	041003505	1	2	2	2		
18	Non Driven Damper End Plug RH	041003508					2	2
19	Non Driven Damper End Plug LH	041003506	1	2	2	2		
19	Non Driven Damper End Plug LH	041003509					2	2
20	Nylon Damper Blade Bushing	043730400	2	2	4	4	4	4
21	Nylon Damper Blade Drive Shaft Bushing	043734000	4	4	4	4	4	4
22	Nylon Linkage Bar Bushing	046098300	4	4	6	6	6	6
23	0.50" Locking Collar	049115902	2	2	2	2	2	2