

Installation Instructions



Contents

1. Unit Dimensions	2
1. Safety Labeling And Signal Words ..	3
2. Safe Installation Requirements	3
3. Locating the Unit	4
4. Electrical Wiring	7
5. Air Distribution System	9
6. Economizer Accessory	10
7. Start-up Procedures	11
8. Operation	13
9. Maintenance	14
10. Rigging Instructions	16



Rated in accordance
with ARI Standard 210.



DIRECT DRIVE BLOWER

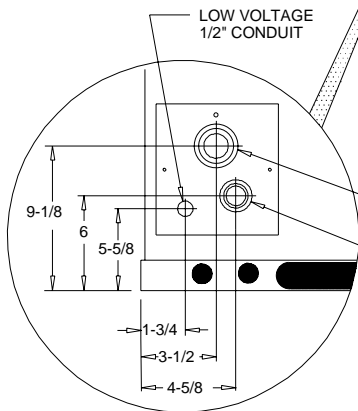
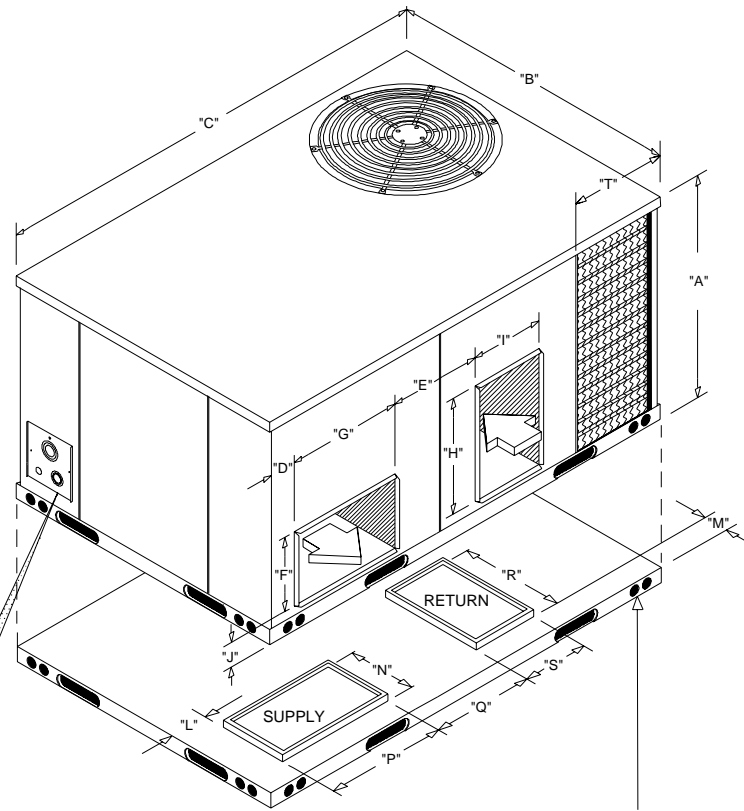
3 to 5 TON

**PAE 3 TO 5 TON PACKAGE AIR
ELECTRIC HEAT (OPTIONAL)**

1. Unit Dimensions

UNIT DIMENSIONS

ALL MODELS		
DIM.	INCHES	MILLIMETERS
A	36"	914
B	47-3/8"	1203
C	73"	1854
D	4-5/8"	117
E	15"	381
F	12"	307
G	18-3/4"	476
H	18-3/4"	476
I	12"	305
J	4"	102
K	N/A	N/A
L	4-1/4"	108
M	5-1/4"	133
N	12-1/4"	311
P	19"	483
Q	15"	381
R	19"	483
S	12-1/4"	311
T	16-7/8"	429



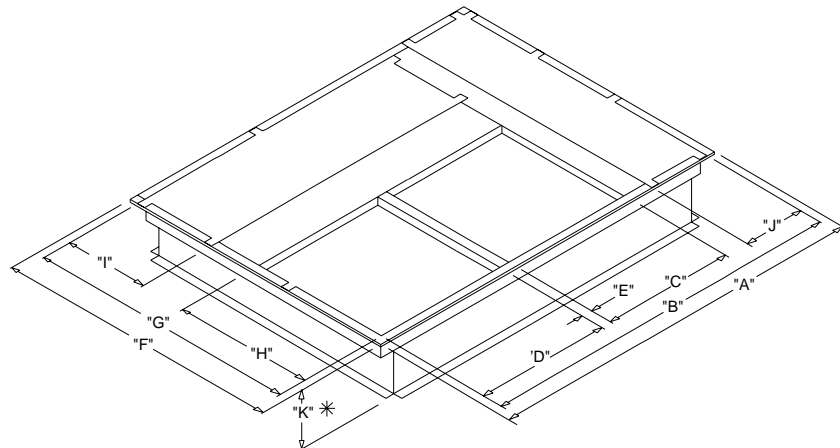
ELECTRIC HEAT POWER
1", 1-1/2", 2" CONDUIT

UNIT ELECTRICAL POWER
3/4", 1", 1-1/4" CONDUIT

UNIT BASE SHOWN SEPARATELY
TO ILLUSTRATE BOTTOM
DUCT OPENINGS

Note: Above dimensions are in inches.

ROOF CURB ALL MODELS		
DIM.	INCHES	MILLIMETERS
A	67-3/4"	1721
B	64-3/4"	1645
C	23"	584
D	23"	584
E	2-1/2"	64
F	42-3/4"	1086
G	39-3/4"	1010
H	23"	584
I	12"	305
J	12"	305
K *	14"	356



* Roof curbs are also available in 8" (203mm) and 24" (610mm) heights (K dimension).

80-10-14

1. Safety Labeling And Signal Words

DANGER, WARNING AND CAUTION

The signal words **DANGER**, **WARNING** and **CAUTION** are used to identify levels of hazard seriousness. The signal word **DANGER** is only used on product labels to signify an immediate hazard. The signal words **WARNING** and **CAUTION** will be used on product labels and throughout this manual and other manuals that may apply to the product.

SIGNAL WORDS

DANGER – Immediate hazards which **WILL** result in severe personal injury or death.

WARNING – Hazards or unsafe practices which **COULD** result in severe personal injury or death.

CAUTION – Hazards or unsafe practices which **COULD** result in minor personal injury or product or property damage.

Signal Words in Manuals

The signal word **WARNING** is used throughout this manual in the following manner:

WARNING

The signal word **CAUTION** is used throughout this manual in the following manner:

CAUTION

2. Safe Installation Requirements

WARNING

Installation or repairs made by unqualified persons can result in hazards to you and others. Installation **MUST** conform with local building codes or, in the absence of local codes, with the National Electrical Code NFPA70-1990 or current edition or in Canada CSA C22.1 - Canadian Electrical Code Part 1 or current edition.

The information contained in this manual is intended for use by a qualified service technician familiar with safety procedures and equipped with the proper tools and test instruments.

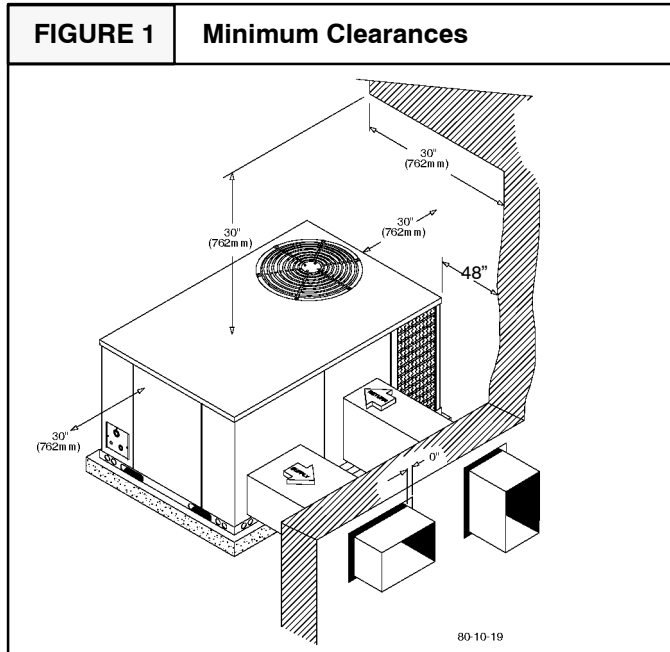
Failure to carefully read and follow all instructions in this manual can result in unit malfunction, property damage, personal injury and/or death.

- Seal supply and return air ducts.
- Check to see that filters are installed correctly and are the proper type and size.

NOTE: It is the personal responsibility and obligation of the customer to contact a qualified installer to ensure that the installation is adequate and conforms to governing codes and ordinances.

3. Locating the Unit

The unit is designed for outdoor installation only. The unit may be installed on a concrete slab (or other adequate platform) at ground level, or on a rooftop with an adequate platform or a roof curb. Typical installations are shown in **NO TAG** through **NO TAG**.



Clearances

The location **MUST** allow for minimum clearances and should not be adjacent to a patio or other area where the unit's operating sound level might be objectionable. Local codes **MUST** be observed.

Minimum clearances, as specified below and in **FIGURE 1**, **MUST** be maintained from adjacent structures to provide adequate air circulation and room for service personnel.

While minimum clearances are acceptable for safety reasons, they may not allow adequate air circulation around the unit for proper operation in the cooling mode. Whenever possible, it is desirable to allow additional clearance, especially around the condenser inlet and discharge openings.

Do **NOT** install the unit in a location that will permit discharged air from the condenser to recirculate to the condenser inlet.

CAUTION

Do NOT operate unit in a corrosive atmosphere containing chlorine, fluorine, or any other corrosive chemicals.

Minimum Clearances to Combustible Construction

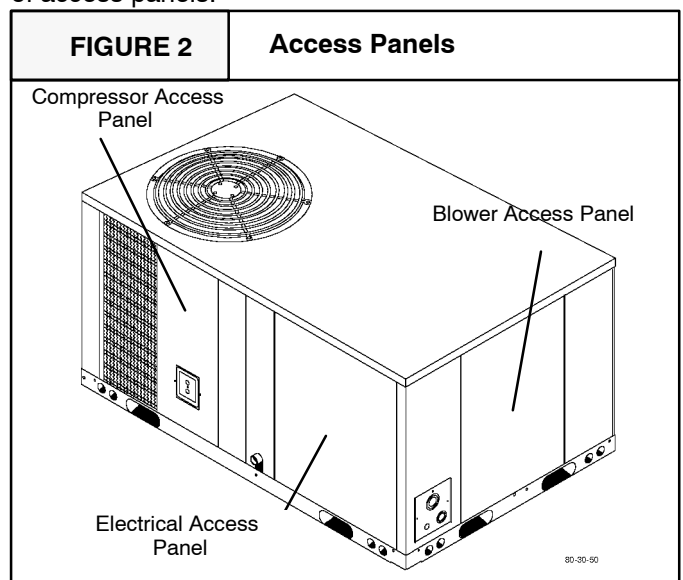
Supply and Return Air Ducts	0"
Duct Connection Side (no economizer)	
Duct Connection Side (with economizer)	48" (1220mm)
Condenser Access Panel Side	30" (762mm)
Blower Access Panel Side	30" (762mm)
Electrical Access Panel Side	30" (762mm)
Clearance between 3 Ft. Overhang and Top of Unit	30" (762mm)
Combustible Base (Wood or Class A, B or C roof covering material)	0"

Access Panels

CAUTION

Unit will NOT operate properly without all access panels in place.

See **FIGURE 2** below for a general view of unit and location of access panels.



Installation

CAUTION

Unit will **NOT** operate properly unless it is installed level front to rear and side to side.

The slope **MUST NOT** be greater than $\frac{1}{8}$ " per foot (10mm per meter). For side to side leveling, the control box side **MUST** always be lower.

Ground Level Installation

Ground level platform requirements:

- The unit **MUST** be situated to provide safe access for servicing.
- Platform may be made of either concrete or pressure treated wood and **MUST** be level and strong enough to support unit weight.
- Position platform separate from building foundation.
- Install in well-drained area, with top surface of platform above grade level.
- Platform **MUST** be high enough to allow for proper condensate trap installation and drainage. See **FIGURE 4** and associated text for more information about condensate drainage.

Rooftop Installation

Rooftop platform requirements:

- The unit **MUST** be situated to provide safe access for servicing.
- The existing roof structure **MUST** be adequate to support the weight of the unit or the roof **MUST** be re-inforced.

Check the weight of the unit in relation to the roof structure and local building codes or ordinances and reinforce roof structure if necessary. See **NO TAG** on the back cover of this manual for unit weights and corner weights.

- Support for the unit **MUST** be level and strong enough to carry unit weight. The support may consist of a platform or a combination of platform and roof beams or curb.

The platform may be constructed of pressure treated wood and may be covered with Class A, B or C roof covering.

- Platform **MUST** allow for proper condensate trap installation and drainage. See **FIGURE 4** and associated text for more information about condensate drainage.
- See *Hoisting* section below for hoisting instructions.

NOTE: Cardboard covers on horizontal supply and return duct openings MUST be removed before starting unit.

Hoisting

NOTE: All access panels **MUST** be secured in place before hoisting.

The unit should be hoisted with two lifting slings. Attach the slings to rigging shackles that have been hooked through holes in the base rail.

Two spreader bars **MUST** be placed on top of the unit to protect the unit from damage from the pressure exerted by the slings. Make sure that all equipment is adequate to handle the weight of the unit and that the slings will not allow the unit to shift.

Refer to **NO TAG** on the back cover of this manual for illustrated rigging instructions and weight chart.

Downflow Conversion

These units are shipped ready for horizontal operation but are adaptable to downflow use. To convert to downflow use, follow these steps:

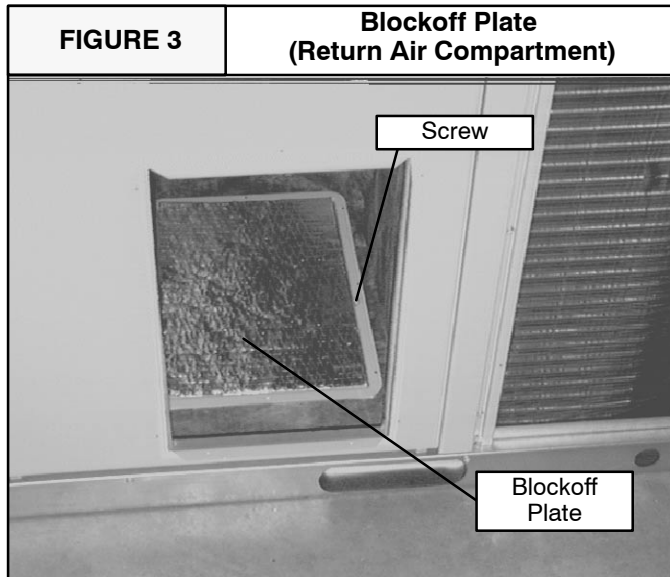
1. Remove the blockoff plates found in the return air compartment and the supply air compartment (see **FIGURE 3**).

NOTE: Blockoff plate in the supply air compartment only contains one screw. If reinstalling plate, back part of plate **MUST** fit into mating dimples on flange. To reinstall, slant plate into dimples, then put plate into position and fasten with screw.

2. Install the removed plates on the horizontal return and supply air openings.

NOTE: It is the installer's personal responsibility to follow all local codes and ordinances and instructions contained herein, as well as instructions included with accessory items when installing unit. It is the installer's personal responsibility to locate directions for installation of this unit and any or all accessories. Manufacturer is **NOT** responsible for improper installation practices.

3. Install unit on the appropriate roof curb.

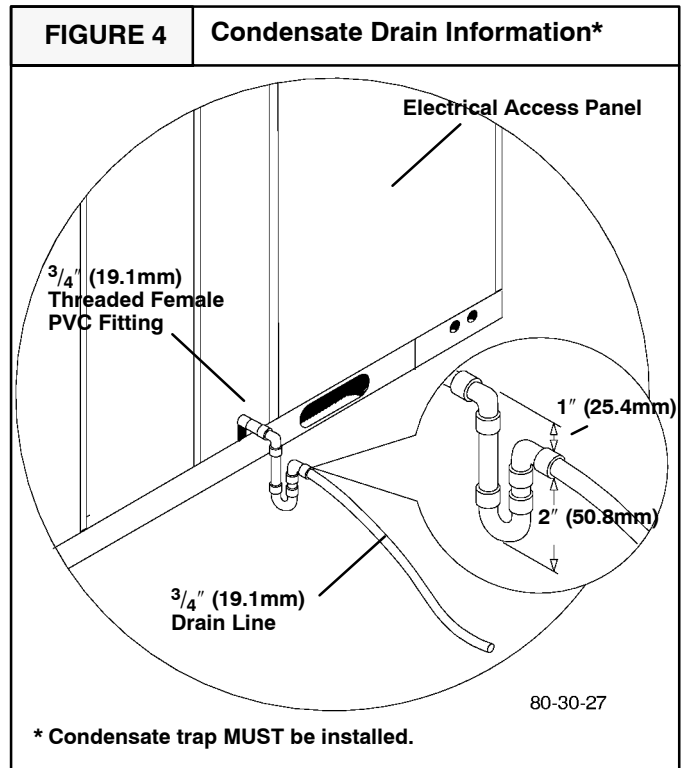


Condensate Drain

The condensate drain outlet is a $\frac{3}{4}$ " (19.1mm) threaded female PVC connection located at the bottom of the unit to the left of the electrical access panel (see **FIGURE 4**). Condensate drain outlet **MUST** be held with wrench when installing trap and drain line.

The circulating blower and the condenser fan create a negative pressure on the condensate drain line that will prevent the condensate from draining properly without a trap. To combat this negative pressure, a field supplied condensate trap that will allow a standing column of water of at least 2" (50.8mm) **MUST** be installed. Top of outlet from trap **MUST** be at least 1" (25.4mm) below top of outlet from unit. **Install the trap as near to the unit as possible for proper drainage.**

A $\frac{3}{4}$ " (19.1mm) drain line **MUST** be installed if required by local codes or if location of unit requires it. Run the drain line to an open drain or other suitable disposal point.



4. Electrical Wiring

WARNING

Electrical shock hazard.

Disconnect power at fuse box or service panel before making any electrical connections.

Unit **MUST** be grounded to electrical service panel.

Failure to follow this warning can result in property damage, personal injury, and/or death.

NOTE: All electrical work **MUST** conform with the requirements of local codes and ordinances and in the United States with National Electrical Code ANSI/NFPA 70-1990 (or current edition) and in Canada with CSA C22.1 - Canadian Electrical Code Part 1 (or current edition). Provide line voltage power supply from a separate fused circuit with a disconnect switch (when required) located within sight of the unit. Supply voltage, amperage, wire, fuse and disconnect switch sizes **MUST** conform with specifications in the *Technical Support Manual* and on the unit rating plate.

Wiring **MUST** be protected from possible mechanical damage and **MUST NOT** interfere with removal of access panels, filters, etc.

All exposed wiring and connections **MUST** be made with weatherproof cable or wire unless installed in conduit.

Low Voltage Wiring

Low voltage connections are made on the low voltage terminal board inside the electrical compartment (see **FIGURE 5**). For access, remove the electrical access panel (see **FIGURE 2**).

Refer to the *Technical Support Manual* for the connection wiring diagram for the applicable model and to the instructions included with the thermostat.

Route low voltage wires through the port located at the bottom left corner of the blower access panel side of the unit. Route low voltage wires behind unit cornerpost, through the wire clip provided, and up to the low voltage terminal board.

NOTE: If an Electric Heat Accessory is installed, see the Electric Heat Accessory *Installation Manual* for low voltage

connections. If an economizer is installed, see the following section, *Low Voltage Wiring With Economizer Option*.

Low Voltage Wiring With Economizer Option

Same as the above *Low Voltage Wiring* section except refer to the connection wiring diagram supplied with the economizer. Also, a pre-wired plug for the economizer is located just inside the return air opening.

Thermostat

The location of the thermostat has an important effect on the operation of the unit. **FOLLOW THE INSTRUCTIONS INCLUDED WITH THE THERMOSTAT FOR CORRECT LOCATION, MOUNTING AND WIRING.**

Unit Without Economizer

A field supplied single stage thermostat is required.

Unit With Economizer

A field supplied two stage thermostat is recommended for use with an economizer. If a single stage thermostat is used, the compressor will not start if the economizer can not satisfy the demand for cooling.

Ground Connections

A ground lug is installed on the electrical control plate for the ground connection (see **FIGURE 5**). Use a copper conductor of the appropriate size from the unit to a grounded connection in the electrical service panel or to a properly driven and electrically grounded ground rod. See **WARNING** above.

Line Voltage Wiring

Do **NOT** complete line voltage connections until unit is permanently grounded. All line voltage connections and the ground connection **MUST** be made with copper wire.

Connections for line voltage are made on the unit electrical control plate (see **FIGURE 5**). For access, remove the electrical access panel (see **FIGURE 2**).

Refer to applicable wiring diagram in the *Technical Support Manual*. Complete the line service connections to the con-

tactor 'L' terminals on the unit electrical control plate. Check all screw terminals to ensure they are tight.

NOTE: If an Electric Heat Accessory is installed, refer to the Electric Heat Accessory *Installation Manual* to determine line voltage connections. The Electric Heat Accessory mounts inside the unit. Field supplied line voltage wires for the Electric Heat Accessory (separate from the field supplied line voltage wires to the unit) connect to the circuit breaker(s) in the Electric Heat Accessory.

Converting 230V Units to 208V

To convert 230V units to 208V:

1. Turn electric power **OFF**.
2. Remove the electrical access panel.
3. Locate the 24V control transformer.
4. Remove wires from the terminal labeled "240V" on the 24V control transformer and reconnect them to the 208V terminal of the 24V control transformer.

5. Replace the electrical access panel.

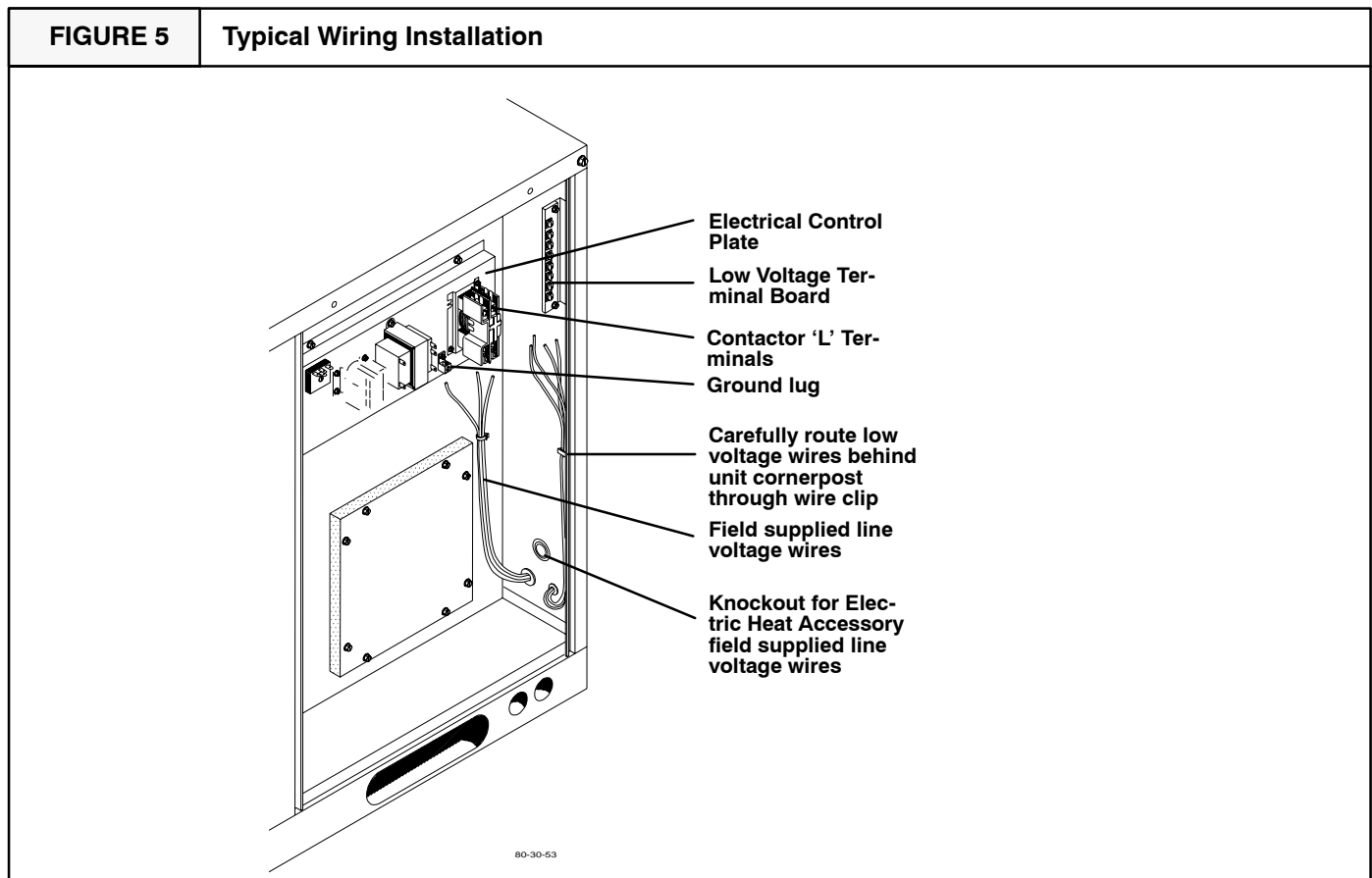
Field Installed Equipment

Wiring to be done in the field between the unit and other devices, or between separate devices which are field installed and located, **MUST NOT** exceed the temperature limitations for type T wire and **MUST** be installed according to the manufacturer's instructions for the devices.

Final Electrical Check

Make a final wiring check to be sure system is correctly wired. Inspect field installed wiring and the routing to ensure that rubbing or chafing due to vibration will not occur.

NOTE: Wiring **MUST** be installed so it is protected from possible mechanical damage.



5. Air Distribution System

For airflow data (blower performance data, blower speed tap settings, filter sizes, etc.) see the *Technical Support Manual*.

Ductwork

NOTE: The total heat gain from the structure as expressed in total Btu/hr **MUST** be calculated by manufacturer's method or in accordance with "A.S.H.R.A.E. Guide" or "Manual J - Load Calculations" published by the Air Conditioning Contractors of America or in Canada "H.R.A.I. Residential Heating and Cooling Load Calculation Manual." The total heat gain calculated should be equal to or less than the cooling capacity. Output based on D.O.E. test procedures, steady state efficiency times input.

Ductwork, supply registers, and return air grilles **MUST** be designed and sized to handle the unit's cooling air volume requirements. If the unit is connected to an existing system, the ductwork **MUST** be checked to make sure it is adequate. Extra runs or larger duct sizes may have to be installed.

Maximum recommended velocity in trunk ducts is 1000 feet per minute (5.08m/s). Velocity in branches should not exceed 800 feet per minute (4.06m/s). Refer to the *Technical Support Manual* for unit air volume requirements and system sizing recommendations.

NOTE: Ductwork sizing affects temperature rise and cooling temperature differential. Be sure to properly size ductwork to the capacity and airflow characteristics of your unit. Failure to do so can affect limit controls, compressors, motors, and other components and will lead to premature failure of components. This will also adversely affect day to day unit performance.

Refer to unit rating plate for proper Electric Heat Accessory sizing and see the *Temperature Rise Check* section in the Electric Heat Accessory *Installation Instructions*.

Ductwork Insulation

It is recommended that ductwork installed outdoors have a minimum of 2" (51mm) of fiberglass insulation and be covered by a weatherproof vapor barrier that is protected against damage. Caulking and flashings, or other means adequate to provide a permanent weather seal, must be used.

It is recommended that ductwork installed in attics or other areas exposed to outdoor temperatures be installed with a minimum of 2" (51mm) fiberglass insulation and have an indoor type vapor barrier.

Ductwork Connections

The use of flexible, **non-combustible** connectors between main trunk ducts and supply and return air plenums is recommended to minimize vibration transmission .

NOTE: Connect supply and return air plenums to unit in a manner that will allow the top of the unit to be removed without removing plenums. Plenums **MUST** be individually sealed to unit casing. Ducts **MUST** be terminated inside structure.

Filters

All return air **MUST** pass through a filter before entering the unit. An electronic air cleaner, optional filter racks or other accessible filter arrangements **MUST** be installed in the *return* air ductwork. Minimum recommended filter areas are listed in the *Technical Support Manual* and are based on a velocity of 300 ft./min. (1.2m/s) for disposable filters and 500 ft./min. (2.54m/s) for washable high velocity filters.

CAUTION

Do NOT operate the unit without all filters in place.

6. Economizer Accessory

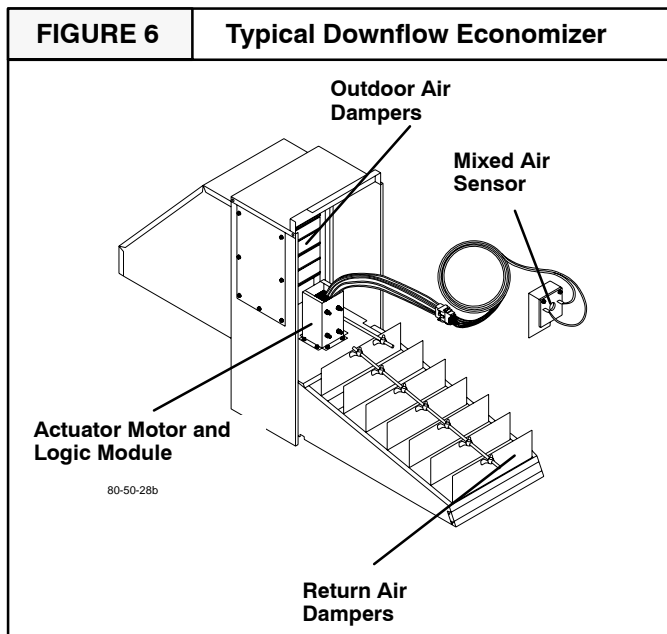
The purpose of an economizer is to:

- Provide cool outdoor air to the conditioned space during the cooling cycle to minimize the use of compressors.
- Bring outdoor air into the conditioned space to meet minimum ventilation air requirements whenever the circulation blower is running.

Theory of Operation

The economizer has two sets of dampers that are mechanically linked together. The outdoor air dampers regulate the intake of outdoor air and the return air dampers regulate the flow of return air (see **FIGURE 6**). When the outdoor air dampers modulate open, the linkage causes the return air dampers to modulate closed. A barometric relief damper is installed in the return air side of the system. It relieves any positive pressure in the unit created by the economizer.

The economizer is controlled by a logic module which field connects to the unit controls through a harness plug. The logic module also controls the compressor staging based on the thermostat input.



Sequence of Operation

NOTE: For correct wiring to the low voltage terminal board, see the connection wiring diagram in the economizer's documentation.

When a field supplied two stage thermostat is in the FAN ON position:

1. The outdoor air dampers will open to the minimum position for outdoor air.
2. On the thermostat's call for cooling, the thermostat completes Circuit 1 between thermostat terminals **R** and **G** and **Y1** for first stage cooling.

If the economizer's enthalpy sensor determines that the outdoor air conditions are below the setting for economizer operation, the outdoor air dampers will modulate open and the return air dampers will modulate closed.

NOTE: All circuits have a low voltage safety circuit consisting of a high pressure switch, a low pressure switch and an anti-cycle delay timer.

3. The mixed air sensor at the blower inlet modulates the economizer dampers to prevent the mixed air from falling below 56°F (13.3°C). (Mixed air refers to return air after it combines with outdoor air from the economizer.) The mixed air sensor modulates the outdoor air dampers between the full open and minimum outdoor air positions.

If the mixed air is not cold enough to maintain the conditioned space at the selected temperature, the thermostat will make **Y2** and call for second stage cooling by energizing the economizer logic module. This energizes the **Y1** anti-cycle delay timer and contactor **C1** which energizes the condenser fan and the compressor.

4. If the thermostat is still calling for cooling and the economizer's enthalpy sensor determines that the outdoor air conditions have risen above the setting for economizer operation:
 - a. The economizer dampers will close to the minimum position for outdoor air and remain there.
 - b. Contactor **C1** will remain energized and the compressor will continue to run.

7. Start-up Procedures

WARNING

Electrical shock hazard.

Use extreme care during all of the following checks and procedures.

Make sure electric power is turned OFF as instructed in appropriate steps.

Failure to follow this warning can result in property damage, personal injury, and/or death.

Circulating Air Blower

Determining Blower Speed

1. Turn electric power **OFF**.
2. From the system design, determine the external static pressure (ESP) for the supply ducts, return ducts and registers, diffusers, grilles, dampers, heaters and special filters (if any).
3. To your system ESP determined in **Step 2**, add 0.05 inches of Water Column for a wet coil and 0.08 inches of Water Column for the unit filter.
4. From the system design, determine the desired cooling airflow in cubic feet per minute (CFM).
5. Locate the unit's Blower Performance Data table in the tech data sheet for the unit's voltage. (The tech data sheet is attached to the inside of the electrical access panel and is also published in the *Technical Support Manual*.) From the table, determine the speed tap the desired airflow requires.
6. See next section, *Speed Taps*, to set the blower motor speed terminal block (speed taps) to the cooling speed determined in the previous steps.

Speed Taps

After determining the required CFM and speed tap data from the tech data sheet, follow the steps below to change speeds if necessary.

NOTE: The yellow lead **MUST** always be connected to the speed tap block at the common quick connect terminal. The terminal is identified as **COM**. Also, this is the only lead which is $\frac{3}{16}$ " wide. All other quick connects are $\frac{1}{4}$ " wide.

Cooling Only

Refer to **FIGURE 7** on **Page 13** and the unit's wiring diagram, which is attached to the inside of the electrical ac-

cess panel and is also published in the *Technical Support Manual*. Wire the speed tap as required.

Cooling and Heating

If an Electric Heat Accessory is used, see its *Installation Manual* for proper heating speed tap settings. If it has been determined that cooling and heating speeds are needed on the same speed tap, remove the red heating lead from the speed tap block and connect it to the insulated male terminal on the black cooling lead. Then place the insulated black female quick connect to the required speed tap.

Check Before Starting

1. Check that the blower motor speed terminal block is set to the proper cooling speed. Refer to the unit wiring diagram and the various airflow tables in the *Technical Support Manual*.
2. Check to see that clean, properly sized field supplied air filters are installed in the return air duct.
3. Inspect the inside of the unit to be sure that all wires are in place and all tools, etc. are removed.
4. Replace all service access panels.

Check the unit's operation as outlined in the following instructions. If any unusual sparking, odors or noises are encountered, shut **OFF** electric power immediately. Re-check for wiring errors or obstructions in or near blower motors.

Reverse Rotation (Scroll Compressors Only)

Three phase scroll compressors **CAN** run in reverse if improperly wired. If the compressor makes an unusually loud noise, or if high and low side pressures are nearly identical, this indicates reverse rotation. To correct, reverse any two wires at line voltage connections **ONLY**. Do **NOT** rewire any circuits inside the unit to attempt correction of reverse rotation.

Circulating Air Blower

1. Be sure electric power is **OFF**.
2. Set thermostat Heat-Cool selector to **OFF**.
3. Set thermostat fan switch to **AUTO**.

4. Turn electric power **ON**. Nothing should start running.
5. Set thermostat fan switch to **ON**. The circulating air blower should come **ON**.
6. Reset thermostat fan switch to **AUTO**. The circulating air blower should go **OFF**. Nothing should be running.

Cooling

1. Be sure that electric power is **OFF**
2. Set thermostat Heat-Cool select to **COOL**.
3. Adjust thermostat setting to below room temperature.
4. Turn electric power **ON** for approximately one minute, then **OFF**. During power application check the following:
 - a. Contactor - Contacts closing
 - b. Compressor - **ON**

- c. Condenser fan motor - **ON**
- d. Circulating air blower - **ON**

5. Turn electric power **OFF**, check the following:

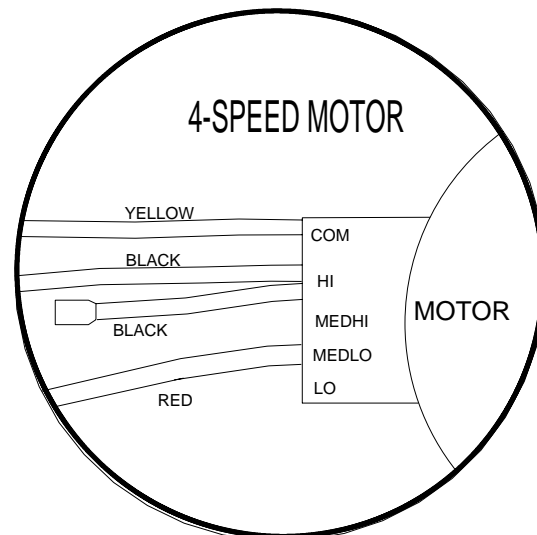
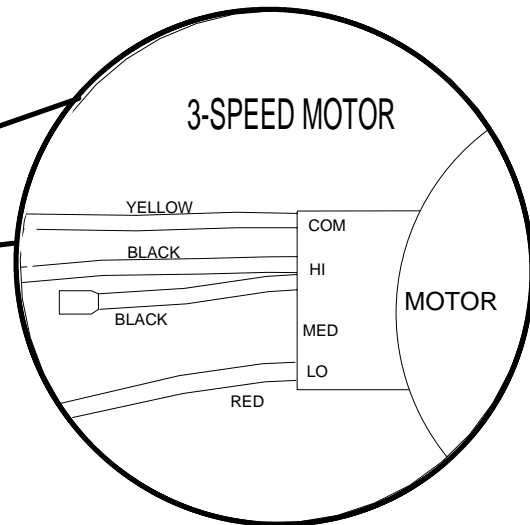
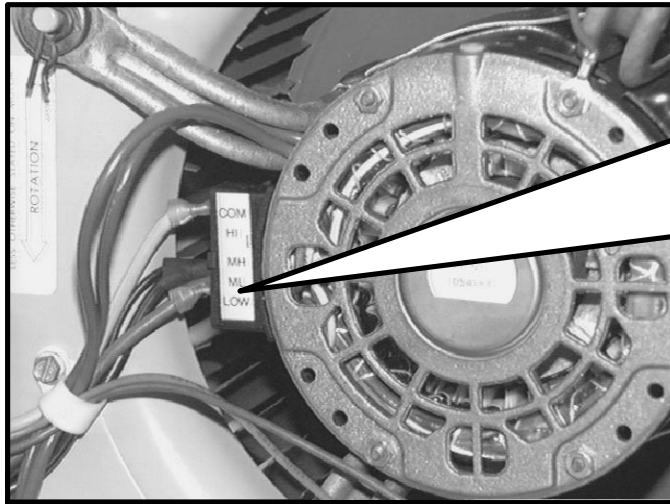
- a. Contactor contacts opening.
- b. Compressor - **OFF**
- c. Condenser fan motor - **OFF**
- d. Circulating blower - **OFF**

Heating

If an Electric Heat Accessory is used, see its *Installation Manual* for proper heater operation.

FIGURE 7

Blower Motor Speed Taps (3-Speed and 4-Speed Motors)



**BE SURE TO CHECK BLOWER MOTOR
SPEED DATA IN THE
TECHNICAL SUPPORT MANUAL.**

8. Operation

Starting Unit After Shutdown

Cooling

Adjust thermostat setting to desired temperature and set Heat-Cool selector switch to **COOL**. The unit will come on and operate automatically under control of the thermostat. Close all doors and windows. The unit may run continuously for several hours or longer on the initial run because of residual heat and moisture in the house. This is normal for any air conditioning system.

CAUTION

Do NOT operate unit on cooling when the outdoor temperature is below 40°F (4.4°C) unless an optional low ambient kit is used. This is necessary to prevent possible damage to the compressor.

Heating

If the unit has an Electric Heat Accessory installed, see the Electric Heat Accessory *Installation Instructions* for starting procedure.

Turning The Unit Off

1. Set the thermostat selector switch to **OFF** and set the thermostat fan switch to **AUTO**. To restart in cooling mode, adjust the thermostat to the desired temperature and set the thermostat Heat-Cool selector switch to **COOL**. To restart in heating mode if Electric Heat Accessory is installed, adjust the thermostat to the desired temperature and set the thermostat Heat-Cool selector switch to **HEAT**.
2. To shut the unit down completely, turn electric power **OFF**.

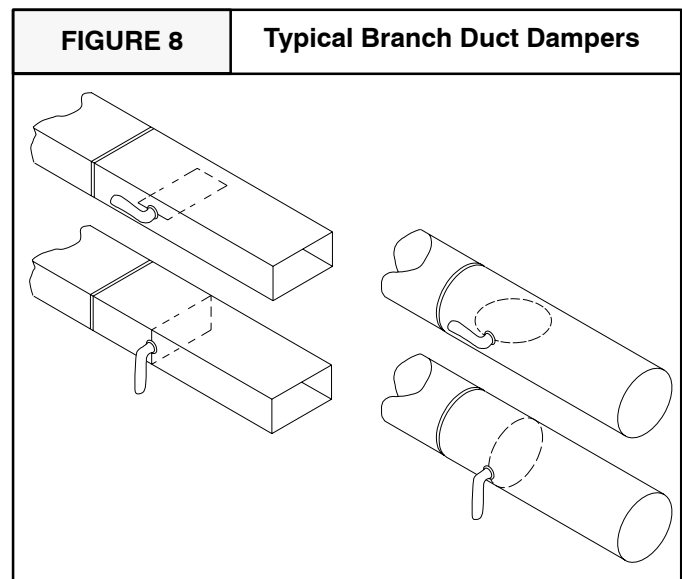
Thermostat Fan Switch Operation

With the thermostat fan switch in the **ON** position, the circulating air blower will run continuously at the speed used for cooling.

With the thermostat fan switch in the **AUTO** position, the circulating air blower will only run during each cooling cycle (or heating cycle if Electric Heat Accessory is installed).

Adjusting Room Temperatures

If the temperature in individual rooms is not as desired, balance the system by adjusting the dampers in the branch ducts. Adjust a little at a time and wait a day after each change to judge the effect. Once the dampers are adjusted for normal weather conditions, it is best to leave them that way. Compensate for temporary weather changes by adjusting the thermostat setting .



9. Maintenance

Monthly Maintenance and Inspection Checks

Air Filters

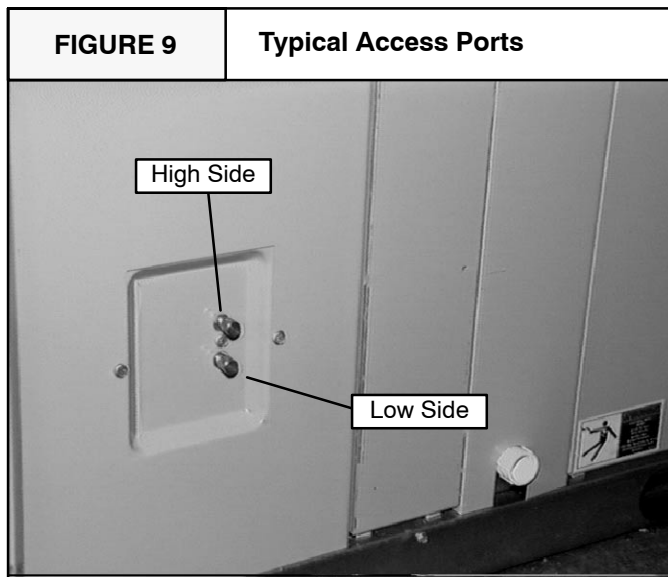
CAUTION

Do NOT operate unit without air filters.

Inspect filters at least monthly and replace or clean as required. Washable filters may be cleaned by soaking in mild detergent and rinsing with cold water. Replace filters with the arrows on the side pointing in the direction of air flow. Dirty filters are the most common cause of inadequate heating or cooling performance, and of compressor failures.

Refrigeration Access Ports

This unit is equipped with refrigeration access ports mounted on the side of the unit. Refer to **FIGURE 9** for identification of ports.



Cooling Season Checks (Monthly) Condenser Coil

Keep the condenser inlet and outlet area clean and free of leaves, grass clippings or other debris. Grass should be kept short in front of the condenser inlet. Shrubbery **MUST** be trimmed back so it is no closer than 30 inches (762mm) to unit.

Condensate Drain

Check for condensate drainage. Clean as required.

Annual Maintenance and Inspection

WARNING

Electrical shock hazard.

Turn OFF electric power supply at disconnect switch or service panel before removing any access or service panel from unit.

Failure to follow this warning can result in property damage, personal injury, and/or death.

The annual inspection **MUST** include lubrication and cleaning as required to ensure efficient operation of the unit. To simplify access, remove all access panels and the top from the unit if possible.

Condenser Fan Motor

CAUTION

Do not use 3 in 1 oil, penetrating oil, WD40 or similar oils to oil motor bearings.

Oil the condenser fan motor after five years of operation and every five years thereafter.

Use SAE 10W30 motor oil. To oil, remove the hole plugs from the motor end bells and add several drops (approximately 1/2 teaspoonful) of oil with a squeeze type, flexible tube oiler. Replace hole plugs after oiling. Do **NOT** over oil.

Clean the surrounding area and the condenser and evaporator coils. Use caution to avoid damage to coil fins.

Blower Motor Access

To access the blower motor follow the following steps. To remove the blower motor and/or the blower motor housing assembly, refer to **Method 1** and **Method 2** below.

1. Turn electric power **OFF**.

2. Remove the blower access panel.
3. Remove the four screws securing the blower motor housing. If unit has a support bracket, remove the two screws securing the bracket.
4. Slide entire housing toward you. This will allow easier access to the speed tap block, motor, and wires.
5. When finished, reassemble in reverse order.

Refer to **NO TAG** for a view of blower motor and blower compartment.

Method 1 and Method 2

Method 1 allows the motor to be removed without removing the entire blower housing assembly. If it is desirable to remove the entire blower housing assembly to work on the motor, use Method 2.

With Method 2, the top of the unit is lifted up so that the entire blower housing assembly can be removed. Use Method 2 to replace or repair blower wheel, blower housing, or any unreachable components behind blower assembly.

Blower Motor Removal Using Method 1

1. Turn electric power **OFF**.
2. Remove the blower access panel.
3. Remove the four screws securing the blower housing to blower deck. If the unit has a support bracket, remove the two screws securing the support bracket to the blower housing.
4. Slide entire housing toward you. This will allow easier access to the speed tap block, motor, and wires.
5. Reach behind blower housing and locate blower wheel set nut. Loosen blower wheel set nut.
6. Disconnect all wires from motor and remove the four pins securing the blower motor mounting cradle to blower housing.
7. Pull motor towards you and remove.
8. When finished, reassemble in reverse order.

Blower Motor and Blower Housing Removal Using Method 2

1. Turn electric power **OFF**.
2. Remove the blower access panel.
3. Remove four screws securing blower housing to blower deck. If the unit has a support bracket, remove the two screws securing the support bracket to the blower housing.

4. Slide entire housing toward you.
5. Remove screws securing corner and front of unit top (see **FIGURE 10**).

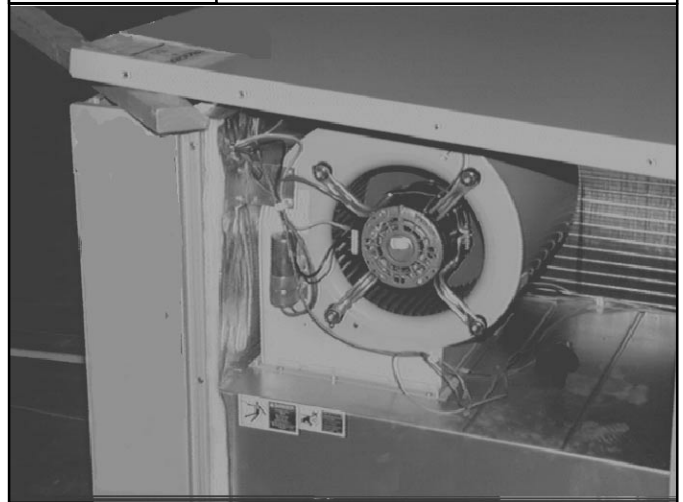
CAUTION

Do NOT place fingers between unit top and unit.

6. Raise corner of unit top at least 2" (50.8mm). Place a sturdy brace at least 2" (50.8mm) thick between corner and unit top. A 2X4 piece of wood is ideal for this.
7. Disconnect all wires from blower housing and slide blower housing out of unit.
8. When finished, reassemble in reverse order.

FIGURE 10

Blower Access Showing Lid Propped with 2X4



Circulating Air Blower

Visually inspect the blower wheel for accumulations of dirt or lint. Clean the compartment and the blower wheel. If accumulation is excessive on blower wheel, or does not easily remove, it will be necessary to remove the blower assembly.

CAUTION

Do NOT use 3 in 1 oil, penetrating oil, WD40 or similar oils to oil motor bearings.

The blower motor should be oiled after five years of operation and every five years thereafter. Oil the blower motor by adding $\frac{1}{2}$ teaspoonful (1cc) of SAE 10W30 to each motor bearing.

10. Rigging Instructions

FIGURE 11

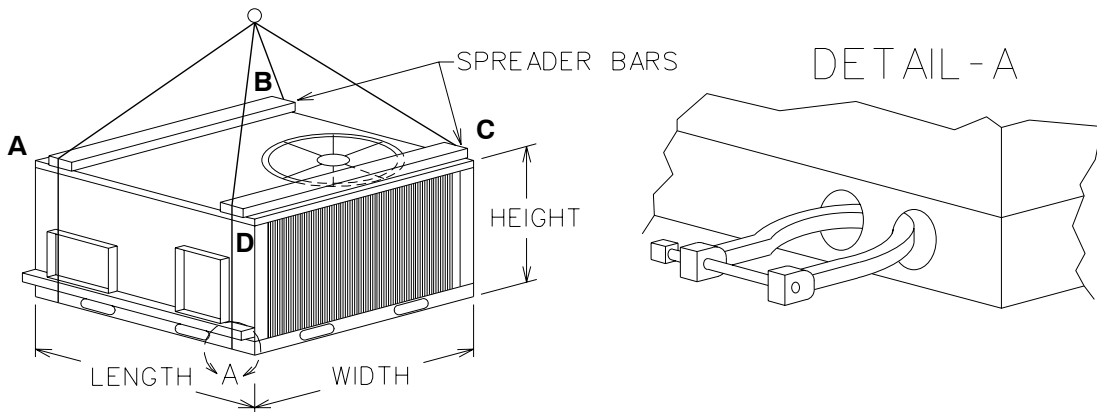
Rigging Instructions "B" Chassis

RIGGING INSTRUCTIONS

⚠ WARNING

FAILURE TO FOLLOW THESE WARNINGS CAN RESULT IN PROPERTY DAMAGE, PERSONAL INJURY AND/OR DEATH.

- All panels **MUST** be in place when rigging and lifting.
- Hook rigging shackles through holes in base rail, as shown in Detail-A.
- Use spreader bars, when rigging, to prevent unit damage.
- Be sure rigging and shackles are sufficient to handle weight listed below.



CABINET	COOLING CAPACITY RANGE	LENGTH	WIDTH	HEIGHT	MAX. WEIGHT
		IN	IN	IN	LB
B	3 - 5 TONS	48.00	48.00	32.50	435

CORNER WEIGHTS in LBS.

MODEL NUMBER	OPERATING WEIGHT	CORNER WEIGHTS			
		A	B	C	D
3 TON	392	84	104	120	95
4 TON	412	87	109	126	98
5TON	435	91	124	131	103

11. Rigging Instructions

FIGURE 12

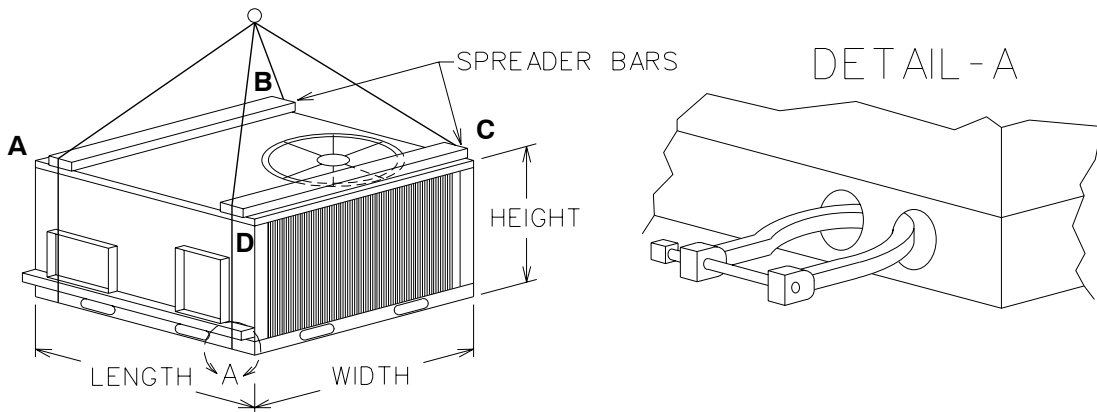
Rigging Instructions "C" Chassis

RIGGING INSTRUCTIONS

WARNING

FAILURE TO FOLLOW THESE WARNINGS CAN RESULT IN PROPERTY DAMAGE, PERSONAL INJURY AND/OR DEATH.

- All panels **MUST** be in place when rigging and lifting.
- Hook rigging shackles through holes in base rail, as shown in Detail-A.
- Use spreader bars, when rigging, to prevent unit damage.
- Be sure rigging and shackles are sufficient to handle weight listed below.



CABINET	COOLING CAPACITY RANGE	LENGTH	WIDTH	HEIGHT	MAX. WEIGHT
		IN	IN	IN	LB
C	3 - 5 TONS	73.00	48.00	36.50	515

CORNER WEIGHTS in LBS.

MODEL NUMBER	OPERATING WEIGHT	CORNER WEIGHTS			
		A	B	C	D
3 TON	472	98	122	141	111
4 TON	492	102	128	148	115
5TON	515	107	134	154	121

INTERNATIONAL COMFORT PRODUCTS
LIMITED WARRANTY CERTIFICATE
For Cooling & Heating Products

SAVE THIS CERTIFICATE. It gives you specific legal rights, and you may also have other rights which may vary from state to state and province to province.

If your unit needs servicing, contact a qualified dealer or qualified service technician of your choice. When requesting service, please have the model and serial number from each unit in your heating and/or cooling system readily available. If your dealer needs assistance, the distributor is available to provide support and we, in turn, support its efforts.

Fill in the installation date and model and serial numbers of the unit in the space provided below and retain this Limited Warranty for your files.

GENERAL TERMS

Subject to the conditions and limitations stated herein, during the term of this Limited Warranty, we will provide a replacement for any functional component part (as defined below) of your unit found to be defective in materials or workmanship. The term of this Limited Warranty is five years from installation on Residential Products and one year from installation on Commercial Products. Except as otherwise stated in the "Additional Terms" section, this Limited Warranty covers only the original purchaser and subsequent transferees, and only while the unit remains at the site of the original installation (except for mobile home installations), and only if the unit is installed inside the continental United States, Puerto Rico, Alaska, Hawaii or Canada. In addition, the Limited Warranty applies only if the unit is installed and operated in accordance with the printed instructions accompanying the unit, and in compliance with all applicable installation and building codes and good trade practices. As used in this Limited Warranty, "installation" means the original installation of the unit.

THERE ARE EXCEPTIONS to this Limited Warranty as described on the reverse side of this page. All replacement parts will be warranted for the unused portion of the warranty coverage period on the unit. The part to be replaced must be returned by the dealer to a distributor that sells products for International Comfort Products, in exchange for the replacement part. In lieu of providing a replacement part, we may, at our sole option, refund to you an amount equal to the distributor's component purchase price from us, or provide to you a credit equal to that amount to be applied toward the purchase of any new unit that we distribute. If a credit for a new unit is given in lieu of a replacement part, the rating plate from the unit being replaced must be submitted on a warranty claim, and your dealer must make the unit being replaced available to our distributor for disposition. As a condition to warranty coverage, the unit must receive yearly maintenance, as described in the owner's manual, by a dealer. Satisfactory proof of yearly service by a dealer may be required.

"Functional component parts" include only the following: blower motor, unit-mounted sensors & timers, condenser motor, evaporator coil, condenser coil, condenser fan, capacitor, transformer, single-phase strip heat elements, expansion device, reversing valve, solenoid valve, service valve, electronic and electro-mechanical control board, ignitor, ignition module, draft inducer assembly, burner pilot, gas valve, limit control, pressure switch, relays and contactors, blower wheel, interlock switch, crosslighter, pilot shield, gas & oil burners, oil pump assembly, accumulators and factory installed driers and strainers.

This Limited Warranty **DOES NOT COVER** any labor, material, refractory chambers, oil nozzles, refrigerant, refrigerant inspection and refrigerant reclaiming, freight and/or handling charges associated with any repair or replacement and such charges will be your responsibility.

To establish the installation date for any purpose under this Limited Warranty, you must retain the original records that can establish the installation date of your unit. If you do not provide such documents the start date of the term of this Limited Warranty will be based upon the date of unit manufacture, plus thirty (30) days. In establishing that the required yearly service has occurred, you must furnish proof of yearly service by a qualified service technician.

This Limited Warranty does not cover: (a) failure or damages caused by accident, abuse, negligence, misuse, riot, fire, flood, or Acts of God (b) damages caused by operating the unit where there is a corrosive atmosphere containing chlorine, fluorine, or any other damaging chemicals (other than those found in a normal residential environment) (c) damages caused by an unauthorized alteration or repair of the unit affecting its stability or performance (d) damages caused by improper matching or application of the unit or the unit's components (e) damages caused by failing to provide proper maintenance and service to the unit in accordance with this Limited Warranty Certificate and the printed instructions originally provided with the unit (f) any expenses incurred for erecting, disconnecting, or dismantling the unit (g) parts or supplies used in connection with service or maintenance, such as refrigerant, refractory chambers, oil nozzles, filters, or belts (h) damage, repairs, inoperation or inefficiency resulting from faulty installation or application (i) electricity or fuel costs or any increase in electricity or fuel cost whatsoever including additional or unusual use of supplemental electric heat (j) units which have not had the required yearly maintenance described elsewhere in this limited warranty.

In no event shall we be liable for any incidental, consequential, or special damages or expenses in connection with any use or failure of this unit.

We have not made, do not make, and hereby disclaim any implied condition or implied warranty of fitness for a particular use or purpose, and any implied condition or implied warranty of merchantability, to the fullest extent allowed by law. We make no express or implied warranties except as stated in this Limited Warranty certificate.

No one is authorized to change this Limited Warranty or to create for us any other obligation or liability in connection with this unit. Any implied warranties shall last for the term of the expressed warranty contained herein. Some states and provinces do not allow the exclusion or limitation of incidental or consequential damages or do not allow limitations on how long an implied warranty or condition lasts, so the above limitations or exclusions may not apply to you. The provisions of this Limited Warranty are in addition to and not a modification of or subtraction from any statutory warranties and other rights and remedies provided by law.

Please refer to reverse side of this page for additional terms.

Model No. _____

Serial No. _____ Date Installed _____

Effective on units installed After July 1, 2002.

USA: International Comfort Products Corporation (USA) • 650 Heil-Quaker Avenue • P.O. Box 128 • Lewisburg, Tennessee 37091 • (931-270-4100)
CANADA: International Comfort Products division of UTC Canada Corporation • 6060 Burnside Court, Unit 1, Mississauga, Ontario L5T 2T5 (905-795-8113).

Manufacturers of Airquest, Arcoaire, Clare, Comfortmaker, Dettson, Heil, Keeprite, Lincoln, Tempstar and other quality brand name private label products.

Part No. 401 06 1010 18 (Orig. 8/9/2002)

ADDITIONAL TERMS FOR RESIDENTIAL APPLICATIONS ONLY

The Additional Terms for the components listed below are in addition to, and subject to, the General Terms on the reverse side of this page. Warranty coverage is limited to parts that fail due to defect in materials or workmanship during the specified term.

CENTRAL GAS & OIL FURNACE HEAT EXCHANGERS*

Gas Model Series: C9MPV, H9MPV, T9MPV, C9MPT, H9MPT, T9MPT, C9MPD, H9MPD, T9MPD: Limited Lifetime Warranty on heat exchangers. If a heat exchanger on one of these furnaces fails due to defect in the part, we will provide a replacement part or, at our option, credit toward the purchase of a new furnace manufactured by us. This additional Limited Warranty runs only to the original purchaser, and lasts only for as long as the original purchaser lives in the home where the furnace is initially installed.** It is not transferable to any subsequent owner. If the furnace was not installed in the home owned by the original purchaser, if the original purchaser sells the home to a subsequent owner, or if proof of original purchase cannot be provided, then the limited warranty is only for 20 years from the date of original installation.

Gas Model Series: GDL, GNL, TNE, TDE, NTC7, NDC7, NTP6, NDP6, TDE, NTV6, VNE: A replacement heat exchanger will be provided for any heat exchanger that fails in one of these furnaces due to defect for 25 years from the original date of installation.

Gas Model Series: NTC6, GNE, GDE, NDN6, NTG3, NDN3, FBF, NBF, NDF, NTN3, NTN6, NNE, N9MP1, N9MP2, FUH: A replacement heat exchanger will be provided for any heat exchanger that fails in one of these furnaces due to defect for 20 years from original date of installation.

Oil Model Series: OLR(105, 160, 182), OCF, OLF, OUF, NOLF, NOUF, OLB, OHB, ODH, FLO, MBO, LBO, NOME: Limited Lifetime Warranty on heat exchangers. If a heat exchanger on one of these furnaces fails due to defect in the part, we will provide a replacement part or, at our option, credit toward the purchase of a new furnace manufactured by us. This additional Limited Warranty runs only to the original purchaser, and lasts only for as long as the original purchaser lives in the home where the furnace is initially installed.** It is not transferable to any subsequent owner. If the furnace was not installed in the home of the original purchaser, if the original purchaser sells the home to a subsequent owner, or if proof of original purchase cannot be provided, then the limited warranty is only for 20 years from the date of original installation.

Oil Fired Floor Furnace: NFO: A replacement heat exchanger will be provided for any heat exchanger that fails due to defect for 10 years from installation with the following limitation: during the sixth through tenth year, any credit toward your purchase of a component or toward the purchase of any new unit will be in an amount equal to the distributor's purchase price reduced by 20 percent for each year after the fifth year.

ADDITIONAL TERMS FOR OIL FURNACE APPLICATIONS ONLY

- 1) OIL BURNERS - A replacement for 5 years from date of original installation for Oil Burner Parts.
- 2) OPTIONAL ACCESSORIES AND FUNCTIONAL PARTS: A replacement for 5 years from date of original installation. (Refractory and oil nozzles not included)

GAS/ELECTRIC PACKAGED UNITS HEAT EXCHANGERS

Model series: PGAD, PGAA, PGMD, PGME, PGF, GPFM, PGC, GPCM: A replacement for 10 years from original date of installation.

COMPRESSORS:*

1) **Premium Model Units: HAC0, HAC2, HAC4, CAC0, CAC2, CAC4, KAC0, TCA0, TCA2, TCA4, HHP0, HHP2, HHP4, CHP0, CHP2, CHP4, TCH0, TCH2, TCH4, PGME, PYMC, PHAD, PGAD, PA95, PAPC, PAK, APK:** To the original purchaser a replacement for 10 years from original date of installation, only if the unit is installed with factory matched coils, except air conditioner condensing units with a nominal SEER of 10 may be matched with evaporator coils of the same nominal tonnage regardless of manufacturer and in accordance to factory recommendations. This limited 10-year warranty is not transferable to any subsequent owner. HOWEVER, if the unit was not installed in the home owned by the original purchaser, if the purchaser sells the home to a subsequent owner, or if proof of original purchase cannot be provided, then the limited warranty is only for 5 years from the original date of installation.**

2) **All Other Models: Air Conditioners, Heat Pumps, & Combination Gas/Electric Units: NAC0, NAC2, NHP0, NHP2, AO, A2, HO, H2, PGF, PGC, GPFM, GPCM, PAF, APFM, PHF, HPFM, PGAA, PGMD, PA55, PH55, PAPA, PYPA:** A replacement for 5 years from date of original installation, only if: (a) air conditioner condensing units with SEER rating in the range of 10 to 11 SEER are matched with evaporator coils of the same nominal tonnage regardless of manufacturer and in accordance to factory recommendations, or (b) heat pump condensing units are used with factory matched coils, unless written approval to do otherwise is obtained from manufacturer.

ADDITIONAL TERMS FOR COMMERCIAL APPLICATIONS ONLY

For purposes of this warranty a commercial application is one in which: the product has over 5 tons nominal cooling capacity, or is designed for operation with 3 phase electrical power, or is installed in a commercial establishment such as a beauty or hair salon, hospital, school, restaurant, church, hotel etc..

3-Phase Models: PGF, GPFM, GPF, PGAD, PGME, PGB, PGMG, PGMF, PGS, PGE, APE, PAE, PAB, PAMD, PAS, PAF, APFM, APF, PHB, PHE, PYMD, HPB, PHS, CAC, ACC, CAE, ACE, CHC, HCC, CHE, HCE:

The additional Terms of the components listed below are in addition to and subject to the General Terms on the reverse side of this page.

- 1) **GAS FIRED HEAT EXCHANGERS (ALL MODELS):*** A replacement for 10 years from date of original installation.
- 2) **COMPRESSORS (ALL MODELS):*** A replacement for 5 years from date of original installation.
- 3) **OPTIONAL ACCESSORIES AND FUNCTIONAL COMPONENT PARTS (ALL MODELS):***
A replacement for 1 year from date of original installation.
- 4) **COMMERCIAL OIL MODELS: OLR210, OLR350, OTF210, AMT3, AMT4, AMP3:** Ten(10) Year Limited Warranty on heat exchangers.
*To receive advantage of your limited warranty, you must provide proof of yearly service by a qualified service technician.

**To receive advantage of your warranty, you must retain the original records that can establish the installation date and proof of purchase of the unit.

MINI SPLITS:

Summary - Mini Splits Warranted for one (1) year on all replacement parts.

Additional terms for Mini Splits:

The additional Terms of the components listed below are in addition to, and subject to, the General Terms on the reverse side of this page.

1) **Compressors (All Models):** A replacement compressor will be provided for all compressors that fail due to defect for 5 years from date of original installation.

2) **Optional Accessories and Functional Components Parts (All Models):**

A replacement part will be provided for all parts that fail due to defect for one (1) year from date of original installation.

Failure to maintain the equipment through annual maintenance by a qualified service technician shall void the warranty. Proof of service will be required with all warranty claims. Proof of purchase and installation date must be submitted with all claims.