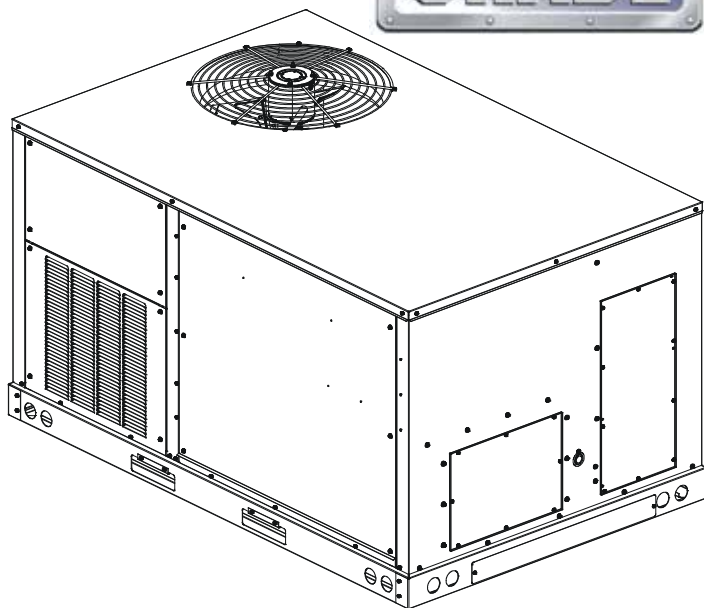


**PACKAGED AIR CONDITIONER 3-6 AND HEAT PUMP UNIT 3-5 BELT DRIVE
BASE EFFICIENCY LIGHT COMMERCIAL DBC/DBH MODELS
INSTALLATION INSTRUCTIONS**



INDEX

REPLACEMENT PARTS.....2
 SAFETY INSTRUCTIONS.....2
 GENERAL INFORMATION.....3
 UNIT LOCATION.....4
 CLEARANCES.....5
 ROOF CURB POST-INSTALLATION CHECKS.....5
 ROOF TOP DUCT CONNECTIONS.....5
 RIGGING DETAILS.....6
 ELECTRICAL WIRING.....7
 CIRCULATING AIR AND FILTERS.....9
 CONDENSATE DRAIN CONNECTION.....9
 STARTUP, ADJUSTMENTS, AND CHECKS.....10
 AIR FLOW ADJUSTMENTS.....11
 HEAT PUMP OPERATION.....15
 MAINTENANCE.....16
 APPENDIX A BLOWER PERFORMANCE TABLES.....17
 APPENDIX B ELECTRICAL DATA.....29
 APPENDIX C UNIT DIMENSIONS.....47
 APPENDIX D AIR FLOW FOR ELECTRIC HEAT.....48
 WIRING DIAGRAMS.....49
 STARTUP CHECKLIST.....52



WARNING

Only personnel that have been trained to install, adjust, service or repair(hereinafter, "service") the equipment specified in this manual should service the equipment. The manufacturer will not be responsible for any injury or property damage arising from improper service or service procedures. If you service this unit, you assume responsibility for any injury or property damage which may result. In addition, in jurisdictions that require one or more licenses to service the equipment specified in this manual, only licensed personnel should service the equipment. Improper installation, adjustment, servicing or repair of the equipment specified in this manual, or attempting to install, adjust, service or repair the equipment specified in this manual without proper training may result in product damage, property damage, personal injury or death.

**PROP 65 WARNING
FOR CALIFORNIA CONSUMERS**

WARNING

Cancer and Reproductive Harm -
www.P65Warnings.ca.gov

0140M00517-A



REPLACEMENT PARTS

ORDERING PARTS

When reporting shortages or damages, or ordering repair parts, give the complete unit model and serial numbers as stamped on the unit's nameplate.

Replacement parts for this appliance are available through your contractor or local distributor. For the location of your nearest distributor, see website www.daikinac.com or contact:

EQUIPMENT SUPPORT
DAIKIN NORTH AMERICA LLC
19001 KERMIER ROAD
WALLER, TEXAS 77484
855-770-5678

SAFETY INSTRUCTIONS



RECOGNIZE THIS SYMBOL AS A SAFETY PRECAUTION.

These installation instructions cover the **outdoor** installation of single package heating and cooling units. See the Specification Sheet applicable to your model for information regarding accessories.

***NOTE: PLEASE CONTACT YOUR DISTRIBUTOR OR OUR WEBSITE FOR THE APPLICABLE SPECIFICATION SHEET REFERRED TO IN THIS MANUAL.**

TO THE INSTALLER

Before installing this unit, please read this manual to familiarize yourself on the specific items which must be adhered to, including maximum external static pressure to unit, air temperature rise, minimum or maximum CFM and motor speed connections.

Keep this literature in a safe place for future reference.



CAUTION

SHEET METAL PARTS, SCREWS, CLIPS AND SIMILAR ITEMS INHERENTLY HAVE SHARP EDGES, AND IT IS NECESSARY THAT THE INSTALLER AND SERVICE PERSONNEL EXERCISE CAUTION.



WARNING

DO NOT CONNECT TO OR USE ANY DEVICE THAT IS NOT DESIGN CERTIFIED BY DAIKIN FOR USE WITH THIS UNIT. SERIOUS PROPERTY DAMAGE, PERSONAL INJURY, REDUCED UNIT PERFORMANCE AND/OR HAZARDOUS CONDITIONS MAY RESULT FROM THE USE OF SUCH NON-APPROVED DEVICES.



WARNING

TO AVOID PROPERTY DAMAGE, PERSONAL INJURY OR DEATH, DO NOT USE THIS UNIT IF ANY PART HAS BEEN UNDER WATER. IMMEDIATELY CALL A QUALIFIED SERVICE TECHNICIAN TO INSPECT THE FURNACE AND TO REPLACE ANY PART OF THE CONTROL SYSTEM AND ANY GAS CONTROL HAVING BEEN UNDER WATER.



WARNING

THIS UNIT MUST NOT BE USED AS A "CONSTRUCTION HEATER" DURING THE FINISHING PHASES OF CONSTRUCTION ON A NEW STRUCTURE. THIS TYPE OF USE MAY RESULT IN PREMATURE FAILURE OF THE UNIT DUE TO EXTREMELY LOW RETURN AIR TEMPERATURE AND EXPOSURE TO CORROSIVE OR VERY DIRTY ATMOSPHERES.



WARNING

**HIGH VOLTAGE!
DISCONNECT ALL POWER BEFORE SERVICING OR INSTALLING THIS UNIT. MULTIPLE POWER SOURCES MAY BE PRESENT. FAILURE TO DO SO MAY CAUSE PROPERTY DAMAGE, PERSONAL INJURY OR DEATH.**



WARNING

TO PREVENT THE RISK OF PROPERTY DAMAGE, PERSONAL INJURY, OR DEATH, DO NOT STORE COMBUSTIBLE MATERIALS OR USE GASOLINE OR OTHER FLAMMABLE LIQUIDS OR VAPORS IN THE VICINITY OF THIS APPLIANCE.

GENERAL INFORMATION



WARNING

TO PREVENT PROPERTY DAMAGE, PERSONAL INJURY OR DEATH, DUE TO FIRE, EXPLOSIONS, SMOKE, SOOT, CONDENSATION, ELECTRIC SHOCK OR CARBON MONOXIDE, THIS UNIT MUST BE PROPERLY INSTALLED, REPAIRED, OPERATED, AND MAINTAINED.

This unit is approved for outdoor installation ONLY. Rated performance is achieved after 20 hours of operation. Rated performance is delivered at the specified airflow. See product specification sheet for light commercial models. Specification sheets can be found at www.daikinac.com for Daikin brand products. Within the website, please select the commercial products menu and then select the submenu for the type of product to be installed, such as air conditioners or heat pumps, to access a list of product pages that each contain links to that model's specification sheet.

To assure that your unit operates safely and efficiently, it must be installed, operated, and maintained in accordance with these installation and operating instructions, all local building codes and ordinances.

EPA REGULATIONS

IMPORTANT: THE UNITED STATES ENVIRONMENTAL PROTECTION AGENCY (EPA) HAS ISSUED VARIOUS REGULATIONS REGARDING THE INTRODUCTION AND DISPOSAL OF REFRIGERANTS IN THIS UNIT. FAILURE TO FOLLOW THESE REGULATIONS MAY HARM THE ENVIRONMENT AND CAN LEAD TO THE IMPOSITION OF SUBSTANTIAL FINES. BECAUSE REGULATIONS MAY VARY DUE TO PASSAGE OF NEW LAWS, WE SUGGEST A CERTIFIED TECHNICIAN PERFORM ANY WORK DONE ON THIS UNIT. SHOULD YOU HAVE ANY QUESTIONS PLEASE CONTACT THE LOCAL OFFICE OF THE EPA.

NATIONAL CODES

This product is designed and manufactured to permit installation in accordance with National Codes. It is the installer's responsibility to install the product in accordance with National Codes and/or prevailing local codes and regulations.

The heating and cooling capacities of the unit should be greater than or equal to the design heating and cooling loads of the area to be conditioned. The loads should be calculated by an approved method or in accordance with ASHRAE Guide or Manual J - Load Calculations published by the Air Conditioning Contractors of America.

Obtain from:
American National Standards Institute
www.ansi.org

System design and installation should also, where applicable, follow information presented in accepted industry guides such as the ASHRAE Handbooks. The manufacturer assumes no responsibility for equipment installed in violation of any code or regulation. The mechanical installation of the packaged roof top units consists of making final connections between the unit and building services; supply and return duct connections; and drain connections (if required). The internal systems of the unit are completely factory-installed and tested prior to shipment.

Units are generally installed on a steel roof mounting curb assembly which has been shipped to the job site for installation on the roof structure prior to the arrival of the unit. The model number shown on the unit's identification plate identifies the various components of the unit such as refrigeration tonnage, heating output and voltage.

Carefully inspect the unit for damage including damage to the cabinetry. Any bolts or screws which may have loosened in transit must be re-tightened.

In the event of damage, the receiver should:

1. Make notation on delivery receipt of any visible damage to shipment or container.
2. Notify carrier promptly and request an inspection.
3. In case of concealed damage, carrier should be notified as soon as possible-preferably within 5 days.
4. File the claim with the following supporting documents:
 - a. Original Bill of Lading, certified copy, or indemnity bond.
 - b. Original paid freight bill or indemnity in lieu thereof.
 - c. Original invoice or certified copy thereof, showing trade and other discounts or reductions.
 - d. Copy of the inspection report issued by carrier representative at the time damage is reported to the carrier. The carrier is responsible for making prompt inspection of damage and for a thorough investigation of each claim. The distributor or manufacturer will not accept claims from dealers for transportation damage.

NOTE: WHEN INSPECTING THE UNIT FOR TRANSPORTATION DAMAGE, REMOVE ALL PACKAGING MATERIALS. RECYCLE OR DISPOSE OF THE PACKAGING MATERIAL ACCORDING TO LOCAL CODES.

PRE-INSTALLATION CHECKS

Carefully read all instructions for the installation prior to installing unit. Ensure each step or procedure is understood and any special considerations are taken into account before starting installation. Assemble all tools, hardware and supplies needed to complete the installation. Some items may need to be purchased locally.

UNIT LOCATION



WARNING

TO PREVENT POSSIBLE EQUIPMENT DAMAGE, PROPERTY DAMAGE, PERSONAL INJURY OR DEATH, THE FOLLOWING BULLET POINTS MUST BE OBSERVED WHEN INSTALLING THE UNIT.

IMPORTANT NOTE: REMOVE WOOD SHIPPING RAILS PRIOR TO INSTALLATION OF THE UNIT.

ALL INSTALLATIONS:

IMPORTANT NOTE: *UNIT SHOULD BE ENERGIZED 24 HOURS PRIOR TO COMPRESSOR START UP TO ENSURE CRANKCASE HEATER HAS SUFFICIENTLY WARMED THE COMPRESSORS. COMPRESSOR DAMAGE MAY OCCUR IF THIS STEP IS NOT FOLLOWED.*

NOTE: APPLIANCE IS SHIPPED FROM FACTORY FOR VERTICAL DUCT APPLICATION.

Proper installation of the unit ensures trouble-free operation. Improper installation can result in problems ranging from noisy operation to property or equipment damages, dangerous conditions that could result in injury or personal property damage and that are not covered by the warranty. Give this booklet to the user and explain it's provisions. The user should retain these instructions for future reference.

- To avoid possible illness or death of the building occupants, do NOT locate outside air intake device (economizer, manual fresh air intake, motorized fresh air intake) too close to an exhaust outlet, gas vent termination, or plumbing vent outlet. For specific distances required, consult local codes.
- Allow minimum clearances from the enclosure for fire protection, proper operation, and service access (see unit clearances). These clearances must be permanently maintained.
- When the unit is heating, the temperature of the return air entering the unit must be a minimum of 55° F.

GROUND LEVEL INSTALLATIONS ONLY:

- When the unit is installed on the ground adjacent to the building, a level concrete (or equal) base is recommended. Prepare a base that is 3" larger than the package unit footprint and a minimum of 3" thick.
- The base should also be located where no runoff of water from higher ground can collect in the unit.

ROOF TOP INSTALLATIONS ONLY:

- To avoid possible property damage or personal injury, the roof must have sufficient structural strength to carry the weight of the unit(s) and snow or water loads as required by local codes. Consult a structural engineer to determine the weight capabilities of the roof.
- The unit may be installed directly on wood floors or on Class A, Class B, or Class C roof covering material.
- To avoid possible personal injury, a safe, flat surface for service personnel should be provided.
- Adequate clearances from the unit to any adjacent public walkways, adjacent buildings, building openings or openable windows must be maintained in accordance with National Codes.

UNIT PRECAUTIONS

- Do not stand or walk on the unit.
- Do not drill holes anywhere in panels or in the base frame of the unit except where indicated. Unit access panels provide structural support.
- Do not remove any access panels until unit has been installed on roof curb or field supplied structure.
- Do not roll unit across finished roof without prior approval of owner or architect.
- Do not skid or slide on any surface as this may damage unit base. The unit must be stored on a flat, level surface. Protect the condenser coil because it is easily damaged.

ROOF CURB INSTALLATIONS ONLY:

Curb installations must comply with local codes and should be done in accordance with the established guidelines of the National Roofing Contractors Association.

Proper unit installation requires that the roof curb be firmly and permanently attached to the roof structure. Check for adequate fastening method prior to setting the unit on the curb.

Full perimeter roof curbs are available from the factory and are shipped unassembled. Field assembly, squaring, leveling and mounting on the roof structure are the responsibility of the installing contractor. All required hardware necessary for the assembly of the sheet metal curb is included in the curb accessory.

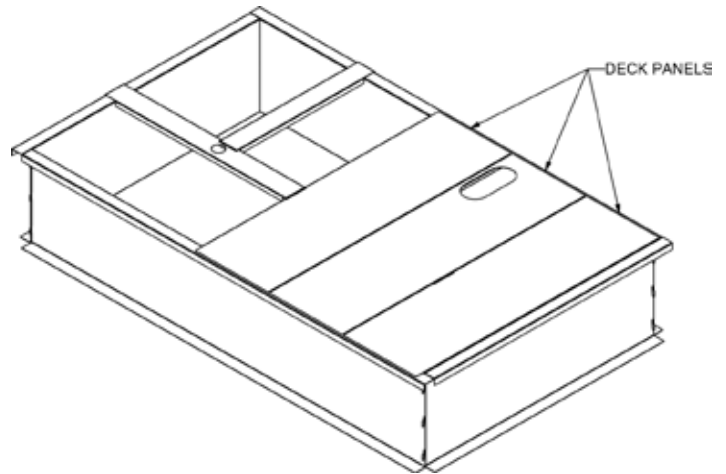


WARNING

TO PREVENT POSSIBLE EQUIPMENT DAMAGE, PROPERTY DAMAGE, PERSONAL INJURY OR DEATH, THE FOLLOWING BULLET POINTS MUST BE OBSERVED WHEN INSTALLING THE UNIT.


- Sufficient structural support must be determined prior to locating and mounting the curb and package unit.
- Ductwork must be constructed using industry guidelines. The duct work must be placed into the roof curb before mounting the package unit. Our full perimeter curbs include duct connection frames to be assembled with the curb. Cantilevered type curbs are not available from the factory.
- Curb insulation, cant strips, flashing and general roofing material are furnished by the contractor.
- The curbs must be supported on parallel sides by roof members.
- The roof members must not penetrate supply and return duct opening areas as damage to the unit might occur.

there should be a minimum of 48" clearance and provisions made to deflect the warm discharge air out from the overhang. The unit should be installed remote from all building exhausts to inhibit ingestion of exhaust air into the unit fresh air intake.



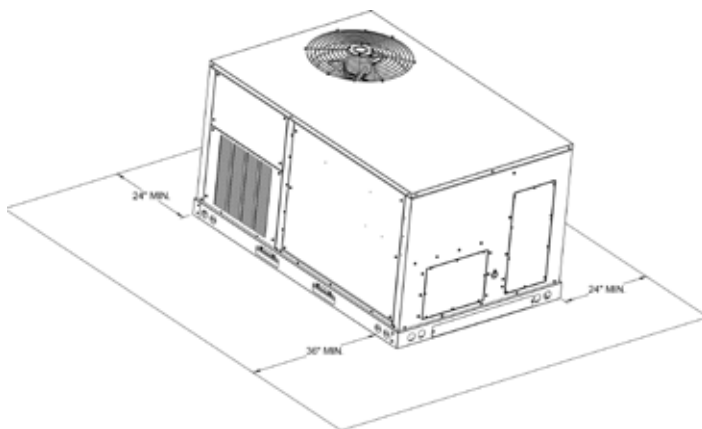
ROOF CURB INSTALLATION

NOTE: THE UNIT AND CURB ACCESSORIES ARE DESIGNED TO ALLOW VERTICAL DUCT INSTALLATION BEFORE UNIT PLACEMENT. DUCT INSTALLATION AFTER UNIT PLACEMENT IS NOT RECOMMENDED.

 CAUTION
<p>ALL CURBS LOOK SIMILAR. TO AVOID INCORRECT CURB POSITIONING, CHECK JOB PLANS CAREFULLY AND VERIFY MARKINGS ON CURB ASSEMBLY. INSTRUCTIONS MAY VARY IN CURB STYLES AND SUPERSEDES INFORMATION SHOWN.</p>

See the manual shipped with the roof curb for assembly and installation instructions.

CLEARANCES



UNIT CLEARANCES

**In situations that have multiple units, a 36" minimum clearance is required between the condenser coils.*

Adequate clearance around the unit should be kept for safety, service, maintenance, and proper unit operation. A clearance of 48" is recommended on all sides of the unit to facilitate possible parts replacement, to allow service access and to insure proper ventilation and condenser airflow. The top of the unit should be completely unobstructed. If units are to be located under an overhang,

ROOF CURB POST-INSTALLATION CHECKS

After installation, check the top of the curb, duct connection frame and duct flanges to make sure gasket has been applied properly. Gasket should be firmly applied to the top of the curb perimeter, duct flanges and any exposed duct connection frame. If gasket is loose, re-apply using strong weather resistant adhesive.

PROTRUSION

Inspect curb to ensure that none of the utility services (electric) routed through the curb protrude above the curb.

 CAUTION
<p>IF PROTRUSIONS EXIST, DO NOT ATTEMPT TO SET UNIT ON CURB.</p>

ROOF TOP DUCT CONNECTIONS

Install all duct connections on the unit before placing the unit on rooftop.

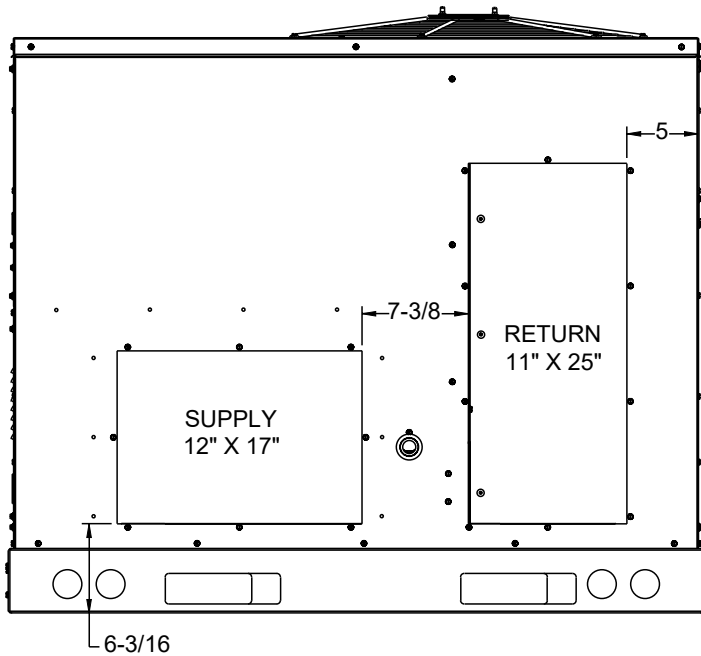
HORIZONTAL DISCHARGE

Refer to IOD-7082 included in the literature pack for installing horizontal duct covers.

Flexible duct connectors between the unit and ducts are recommended. Insulate and weatherproof all external ductwork and joints as required and in accordance with local codes.

CURB, DUCTWORK SHOULD BE ATTACHED TO THE CURB PRIOR TO INSTALLING THE UNIT. DUCTWORK DIMENSIONS ARE SHOWN IN ROOF CURB INSTALLATION INSTRUCTIONS.

Refer to the Roof Curb Installation Instructions for proper curb installation. Curbing must be installed in compliance with the National Roofing Contractors Association Manual.



HORIZONTAL DISCHARGE DUCT CONNECTIONS

RIGGING DETAILS

WARNING

TO PREVENT PROPERTY DAMAGE, THE UNIT SHOULD REMAIN IN AN UPRIGHT POSITION DURING ALL RIGGING AND MOVING OPERATIONS. TO FACILITATE LIFTING AND MOVING WHEN A CRANE IS USED, PLACE THE UNIT IN AN ADEQUATE CABLE SLING.

CAUTION

IF UNITS ARE LIFTED TWO AT A TIME, THE FORK HOLES ON THE CONDENSER END OF THE UNIT MUST NOT BE USED. MINIMUM FORK LENGTH IS 42" TO PREVENT DAMAGE TO THE UNIT; HOWEVER, 48" IS RECOMMENDED.

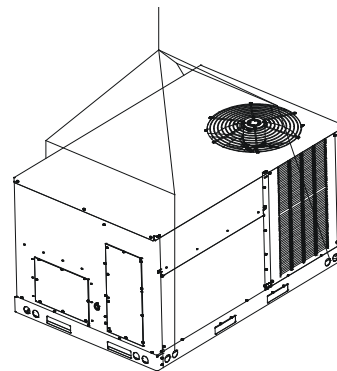
PROVISIONS FOR FORKS HAVE BEEN INCLUDED IN THE UNIT BASE FRAME. NO OTHER FORK LOCATIONS ARE APPROVED.

WARNING

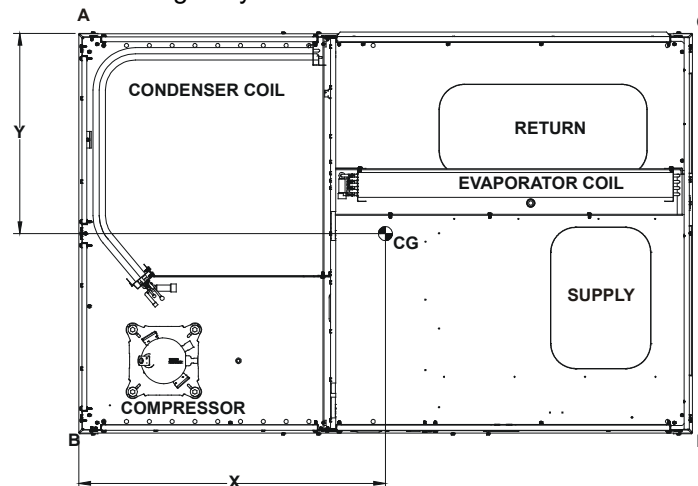
TO PREVENT POSSIBLE EQUIPMENT DAMAGE, PROPERTY DAMAGE, PERSONAL INJURY OR DEATH, THE FOLLOWING BULLET POINTS MUST BE OBSERVED WHEN INSTALLING THE UNIT.

- Unit must be lifted by the four lifting holes located at the base frame corners.
- Lifting cables should be attached to the unit with shackles.
- The distance between the crane hook and the top of the unit must not be less than 60".
- Two spreader bars must span over the unit to prevent damage to the cabinet by the lift cables. Spreader bars must be of sufficient length so that cables do not come in contact with the unit during transport. Remove wood struts mounted beneath unit base frame before setting unit on roof curb. These struts are intended to protect unit base frame from fork lift damage. Removal is accomplished by extracting the sheet metal retainers and pulling the struts through the base of the unit. Refer to rigging label on the unit.

IMPORTANT: IF USING BOTTOM DISCHARGE WITH ROOF



To assist in determining rigging requirements, unit weights and center of gravity are shown as follows:



CORNER AND CENTER OF GRAVITY LOCATIONS

NOTE: UNIT SHOULD BE LIFTED AT A POINT ABOVE CENTER OF GRAVITY.

Weights for DBC/DBH Direct Drive models

MODEL	Shipping Weight (lbs)	Operating Weight (lbs)	Corner Weights (lbs)				Length X (in)	Width Y (in)
			A	B	C	D		
DBC0363B*	619	573	96	207	147	123	34.8	27.8
DBC0483B*	644	598	95	225	150	128	34.3	28.5
DBC0484B*	646	600	105	219	144	132	33.9	28.3
DBC0603B*	688	642	117	227	136	162	34.3	29.3
DBH0363B*	651	605	156	165	112	172	34.6	27.1
DBH0364B*	656	610	140	180	148	142	35.2	26.8
DBH0483B*	686	640	121	224	150	145	34	27.8
DBH0484B*	688	642	131	213	142	156	34.3	27.8
DBH0603B*	732	686	234	150	73	229	32.5	26.7
DBH0604B*	739	693	108	270	186	129	33.5	27.8
DBC0723V*	724	678	141	219	72	246	34.6	27.6

THE NUMBERS MAY SLIGHTLY VARY DEPENDING ON INSTALLED OPTIONS.



CAUTION

TO PREVENT DAMAGE TO THE WIRING, PROTECT WIRING FROM SHARP EDGES. FOLLOW NATIONAL ELECTRICAL CODE AND ALL LOCAL CODES AND ORDINANCES. DO NOT ROUTE WIRES THROUGH REMOVABLE ACCESS PANELS.



CAUTION

TO PREVENT SEVERE DAMAGE TO THE BOTTOM OF THE UNIT, DO NOT FORK LIFT UNIT AFTER WOOD STRUTS HAVE BEEN REMOVED.

Bring condenser end of unit into alignment with the curb first. Lower unit carefully onto roof mounting curb. When a rectangular cantilever curb is used, care should be taken to center the unit. Check for proper alignment and orientation of supply and return openings with duct.

RIGGING REMOVAL



CAUTION

TO PREVENT DAMAGE TO THE UNIT, DO NOT ALLOW CRANE HOOKS AND SPREADER BARS TO REST ON THE ROOF OF THE UNIT.

Remove spreader bars, lifting cables and other rigging equipment.

ELECTRICAL WIRING



WARNING

**HIGH VOLTAGE!
DISCONNECT ALL POWER BEFORE SERVICING OR INSTALLING THIS UNIT. MULTIPLE POWER SOURCES MAY BE PRESENT. FAILURE TO DO SO MAY CAUSE PROPERTY DAMAGE, PERSONAL INJURY OR DEATH.**



WARNING

**HIGH VOLTAGE!
TO AVOID PERSONAL INJURY OR DEATH DUE TO ELECTRICAL SHOCK, DO NOT TAMPER WITH FACTORY WIRING. THE INTERNAL POWER AND CONTROL WIRING OF THESE UNITS ARE FACTORY-INSTALLED AND HAVE BEEN THOROUGHLY TESTED PRIOR TO SHIPMENT. CONTACT YOUR LOCAL REPRESENTATIVE IF ASSISTANCE IS REQUIRED.**



CAUTION

CONDUIT AND FITTINGS MUST BE WEATHER-TIGHT TO PREVENT WATER ENTRY INTO THE BUILDING.

For unit protection, use a fuse or HACR circuit breaker that is in excess of the circuit ampacity, but less than or equal to the maximum overcurrent protection device. **DO NOT EXCEED THE MAXIMUM OVERCURRENT DEVICE SIZE SHOWN ON UNIT DATA PLATE.**

All line voltage connections must be made through weatherproof fittings. All exterior power supply and ground wiring must be in approved weatherproof conduit.

The main power supply wiring to the unit and low voltage wiring to accessory controls must be done in accordance with these instructions, the latest edition of the National Electrical Code (ANSI/NFPA 70), and all local codes and ordinances.

The unit is factory wired for the voltage shown on the unit's data plate. Refer to model nomenclature in Appendix B for voltage requirement for your unit.

NOTE: IF SUPPLY VOLTAGE IS 208V, LEAD ON PRIMARY OF TRANSFORMER(S) MUST BE MOVED FROM THE 230V TO THE 208V TAP. REFER TO WIRING DIAGRAM ON UNIT FOR DETAILS.

Main power wiring should be sized for the minimum circuit ampacity shown on the unit's database. Size wires in accordance with the ampacity tables in Article 310 of the National Electrical Code. If long wires are required, it may be necessary to increase the wire size to prevent excessive voltage drop. Wires should be sized for a maximum of 3% voltage drop.



CAUTION

TO AVOID RISK OF PROPERTY DAMAGE, PERSONAL INJURY OR FIRE, USE ONLY COPPER CONDUCTORS.



CAUTION

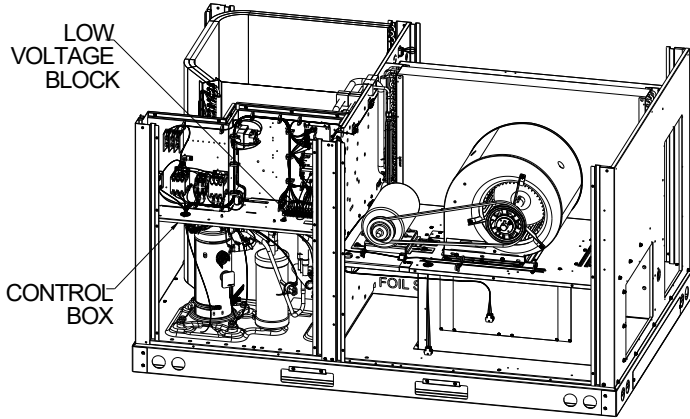
LABEL ALL WIRES PRIOR TO DISCONNECTION WHEN SERVICING CONTROLS. WIRING ERRORS CAN CAUSE IMPROPER AND DANGEROUS OPERATION. VERIFY PROPER OPERATION AFTER SERVICING.

NOTE: A WEATHER-TIGHT DISCONNECT SWITCH, PROPERLY SIZED FOR THE UNIT TOTAL LOAD, MUST BE FIELD OR FACTORY INSTALLED. AN EXTERNAL FIELD SUPPLIED DISCONNECT MAY BE MOUNTED ON THE EXTERIOR PANEL.

Ensure the data plate is not covered by the field-supplied disconnect switch.

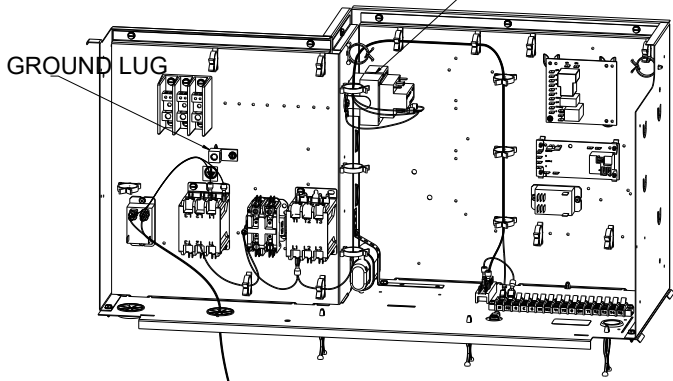
- Some disconnect switches are not fused. Protect the power leads at the point of distribution in accordance with the unit data plate.

- The unit must be electrically grounded in accordance with local codes or, in the absence of local codes, with the latest edition of the National Electrical Code ANSI/NFPA 70, and/or the Canadian Electrical Code, CSA C22.1, Part 1. A ground lug is provided for this purpose. Do not use the ground lug for connecting a neutral conductor.
- Connect power wiring to the electrical power block located within the main control box.

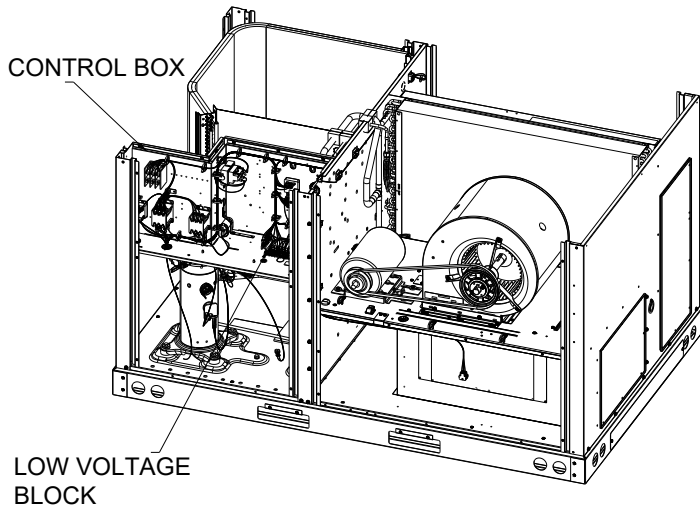


**POWER AND LOW VOLTAGE BLOCK CONNECTIONS
DBH036**

NOTE: CHECK TRANSFORMER TO MATCH THE CORRECT VOLTAGE TAP WITH LINE VOLTAGE

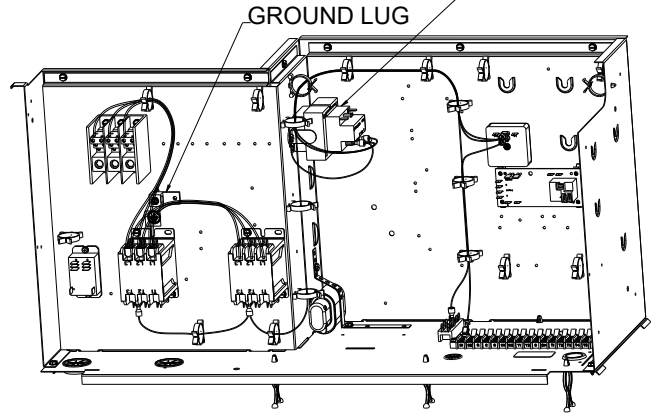


DBH036 CONTROL BOX



DBC036 BELT DRIVE

NOTE: CHECK TRANSFORMER TP MATCH THE CORRECT VOLTAGE TAP WITH LINE VOLTAGE



DBC036 CONTROL BOX CONNECTIONS

NOTE: DEPENDING ON THE OPTIONS INSTALLED, THE LOCATION OF THE COMPONENTS MAY VARY IN SOME MODELS.



WARNING

FAILURE OF UNIT DUE TO OPERATION ON IMPROPER LINE VOLTAGE OR WITH EXCESSIVE PHASE UNBALANCE CONSTITUTES PRODUCT ABUSE AND IS NOT COVERED BY THE WARRANTY. IT MAY CAUSE SEVERE DAMAGE TO THE UNIT'S ELECTRICAL COMPONENTS.

AREAS WITHOUT CONVENIENCE OUTLET

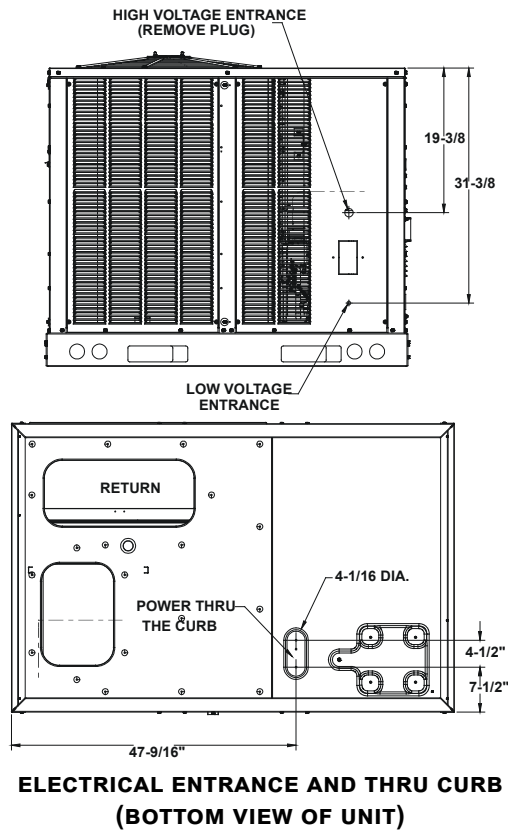
It is recommended that an independent 115V power source be brought to the vicinity of the roof top unit for portable lights and tools used by the service mechanic.

NOTE: REFER TO LOCAL CODES FOR REQUIREMENTS. THESE OUTLETS CAN ALSO BE FACTORY INSTALLED.

UNITS INSTALLED ON ROOF TOPS

Main power and low voltage wiring may enter the unit through the condenser end of unit or through the roof curb. Install conduit connectors at the desired entrance locations. External connectors must be weatherproof. All holes in the unit base must be sealed (including those around conduit nuts) to prevent water leakage into building. All required conduit and fittings are to be field supplied.

Supply voltage to roof top unit must not vary by more than 10% of the value indicated on the unit data plate. Phase voltage unbalance must not exceed 2%. Contact your local power company for correction of improper voltage or phase unbalance.



**ELECTRICAL ENTRANCE AND THRU CURB
(BOTTOM VIEW OF UNIT)**

NOTE: REFER TO UNIT WIRING DIAGRAMS FOR THERMOSTAT OR REMOTE SENSOR CONNECTIONS.

CIRCULATING AIR AND FILTERS

DUCTWORK

The supply duct from the unit through a wall may be installed without clearance. However, minimum unit clearances must be maintained (see "Clearances" section). The supply duct should be provided with an access panel large enough to inspect the air chamber downstream of the heat exchanger. A cover should be tightly attached to prevent air leaks.

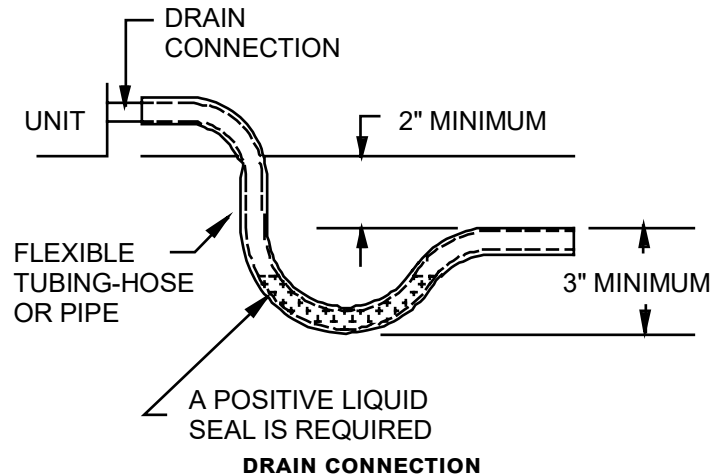
Ductwork dimensions are shown in the roof curb installation manual.

If desired, supply and return duct connections to the unit may be made with flexible connections to reduce possible unit operating sound transmission.

CONDENSATE DRAIN CONNECTION

CONDENSATE DRAIN CONNECTION

A 3/4" female NPT drain connection is supplied on the end of the unit and bottom of the drain pan for condensate piping. An external trap must be installed for proper condensate drainage. Hand tighten drain fitting to the drain connection.



Install condensate drain trap as shown. Use 3/4" drain line and fittings or larger. Do not operate without trap.

HORIZONTAL DRAIN

Drainage of condensate directly onto the roof may be acceptable; refer to local code. It is recommended that a small drip pad of either stone, mortar, wood or metal be provided to prevent any possible damage to the roof.

VERTICAL DRAIN

To use the bottom drain connection, remove the drain plug from the bottom connection and install it in the horizontal connection.

LOW VOLTAGE CONTROL WIRING



1. A 24V thermostat must be installed for unit operation unless the unit is equipped with factory installed DDC control.
2. Locate thermostat or remote sensor in the conditioned space where it will sense average temperature. Do not locate the device where it may be directly exposed to supply air, sunlight or other sources of heat. Follow installation instructions packaged with the thermostat.
3. Use #18 AWG wire for 24V control wiring runs not exceeding 75 feet. Use #16 AWG wire for 24V control wiring runs not exceeding 125 feet. Use #14 AWG wire for 24V control wiring runs not exceeding 200 feet. Low voltage wiring may be National Electrical Code (NEC) Class 2 where permitted by local codes.
4. Route thermostat wires from sub-base terminals to the unit. Control wiring should enter through the condenser panel opening or through curb indicated in "Electrical Entrance" figure. Connect thermostat and any accessory wiring to low voltage terminal block TB1 in the main control box.

NOTE: FIELD-SUPPLIED CONDUIT MAY NEED TO BE INSTALLED DEPENDING ON UNIT/CURB CONFIGURATION. USE #18 AWG SOLID CONDUCTOR WIRE WHENEVER CONNECTING THERMOSTAT WIRES TO TERMINALS ON SUB-BASE. DO NOT USE LARGER THAN #18 AWG WIRE. A TRANSITION TO #18 AWG WIRE MAY BE REQUIRED BEFORE ENTERING THERMOSTAT SUB-BASE.


CLEANING

Due to the fact that drain pans in any air conditioning unit will have some moisture in them, algae and fungus will grow due to airborne bacteria and spores. Periodic cleaning is necessary to prevent this build-up from plugging the drain.

STARTUP, ADJUSTMENTS, AND CHECKS

	WARNING
HIGH VOLTAGE! TO AVOID PERSONAL INJURY OR DEATH DUE TO ELECTRICAL SHOCK, BOND THE FRAME OF THIS UNIT TO THE BUILDING ELECTRICAL GROUND BY USE OF THE GROUNDING TERMINAL PROVIDED OR OTHER ACCEPTABLE MEANS. DISCONNECT ALL POWER BEFORE SERVICING OR INSTALLING THIS UNIT.	

	CAUTION
TO PREVENT PROPERTY DAMAGE OR PERSONAL INJURY, DO NOT START THE UNIT UNTIL ALL NECESSARY PRE-CHECKS AND TESTS HAVE BEEN PERFORMED.	

	WARNING
MOVING MACHINERY HAZARD! TO PREVENT POSSIBLE PERSONAL INJURY OR DEATH, DISCONNECT POWER TO THE UNIT AND PADLOCK IN THE "OFF" POSITION BEFORE SERVICING FANS.	

PRE-STARTUP INSTRUCTIONS

On new installations, or if a major component has been replaced, the operation of the unit must be checked.

Check unit operation as outlined in the following instructions. If any sparking, odors, or unusual sounds are encountered, shut off electrical power and recheck for wiring errors, or obstructions in or near the blower motors. **Duct covers must be removed before operating unit.**

The Startup, Adjustments, and Checks procedure provides a step-by-step sequence which, if followed, will assure the proper startup of the equipment in the minimum amount of time. Air balancing of duct system is not considered part of this procedure. However, it is an important phase of any air conditioning system startup and should be performed upon completion of the Startup, Adjustments, and Checks procedure. The Startup, Adjustments, and Checks procedure at outside ambients below 55°F should be limited to a readiness check of the refrigeration system with the required final check and calibration left to be completed when the outside ambient rises above 55°F.

TEMPORARY HEATING OR COOLING

If the unit is to be used for temporary heating or cooling, a "Startup, Adjustments, and Checks" must first be performed in accordance with this manual. Damage or repairs due to failure to comply with these requirements are not covered under the warranty. **After** the machines are used for temporary heating or cooling, inspect the coils, fans, and motors for unacceptable levels of construction dust and dirt and install new filters.

CONTRACTOR RESPONSIBILITY

The installing contractor must be certain that:

- All supply and return air ductwork is in place, properly sealed, and corresponds with installation instructions. All thermostats and sensors are mounted and wired in accordance with installation instructions.
- All electric power, all gas, hot water or steam line connections, and the condensate drain installation have been made to each unit on the job. These main supply lines must be functional and capable of operating all units simultaneously.
- All filters are in place.

ROOF CURB INSTALLATION CHECK

Inspect the roof curb for correct installation. The unit and curb assembly should be level. Inspect the flashing of the roof mounting curb to the roof, especially at the corners, for good workmanship. Also check for leaks around gaskets. Note any deficiencies in a separate report and forward to the contractor.

OBSTRUCTIONS, FAN CLEARANCE AND WIRING

Remove any extraneous construction and shipping materials that may be found during this procedure. Rotate all fans manually to check for proper clearances and that they rotate freely. Check for bolts and screws that may have jarred loose during shipment to the job site. Re-tighten if necessary. Re-tighten all electrical connections.

FIELD DUCT CONNECTIONS

Verify that all duct connections are tight and that there is no air bypass between supply and return.

FILTER SECTION CHECK

Remove filter section access panels and check that filters are properly installed. Note airflow arrows on filter frames.

PRE-STARTUP PRECAUTIONS

It is important to your safety that the unit has been properly grounded during installation. Check ground lug connection in main control box for tightness prior to closing circuit breaker or disconnect switch. Verify that supply voltage on line side of disconnect agrees with voltage on unit identification plate and is within the utilization voltage range as indicated in Appendix B Electrical Data.

System Voltage - That nominal voltage value assigned to a circuit or system for the purpose of designating its voltage class.

Nameplate Voltage - That voltage assigned to a piece of equipment for the purpose of designating its voltage class and for the purpose of defining the minimum and maximum voltage at which the equipment will operate.

Utilization Voltage - The voltage of the line terminals of the equipment at which the equipment must give fully satisfactory performance. Once it is established that supply voltage will be maintained within the utilization range under all system conditions, check and calculate if an unbalanced condition exists between phases. Calculate percent voltage unbalance as follows:

Three Phase Models Only

$$3) \text{ PERCENT VOLTAGE UNBALANCE} = 100 \times \frac{2) \text{ MAXIMUM VOLTAGE DEVIATIONS FROM AVERAGE VOLTAGE}}{1) \text{ AVERAGE VOLTAGE}}$$

HOW TO USE THE FORMULA:

EXAMPLE: With voltage of 220, 216, and 213

1) Average Voltage = $220+216+213=649 / 3 = 216$

2) Maximum Voltage Deviations from Average Voltage = $220 - 216 = 4$

3) Percent Voltage Unbalance = $100 \times \frac{4}{216} = \frac{400}{216} = 1.8\%$

Percent voltage unbalance MUST NOT exceed 2%.

AIR FLOW ADJUSTMENTS

When the final adjustments are complete, the current draw of the motor should be checked and compared to the full load current rating of the motor. The amperage must not exceed the service factor stamped on the motor nameplate.

If an economizer is installed, check the unit operating balance with the economizer at full outside air and at minimum outside air.

High stage airflow setting to be between 300 and 500 CFM per ton, see Table below. For models with electric heat the total airflow must not be less than that required for operation of the electric heaters. See Appendix D for minimum airflow for specific electric heaters.

NOTE: NEVER RUN CFM BELOW 300 CFM PER TON, EVAPORATOR FREEZING OR POOR UNIT PERFORMANCE IS POSSIBLE.

HIGH STAGE AIRFLOW SETTING, CFM (WITHOUT ELECTRIC HEAT)

BELT DRIVE MODELS ONLY

The drive on the supply fan is typically set in the middle of the RPM range. The drive motor sheave pitch diameter is field adjustable for the required airflow. Refer to "Motor Sheave Adjustments" section.

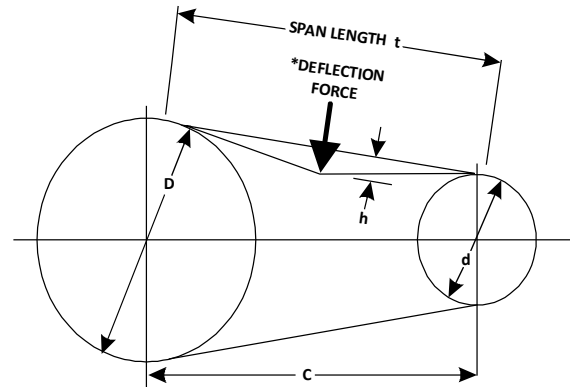
Upon completion of the air flow balancing, we recommend replacing the variable pitched motor sheave with a properly-sized fixed sheave. A matching fixed sheave will provide longer belt and bearing life and vibration free operation. Initially, it is best to have a variable pitched motor sheave for the purpose of airflow balancing, but once the balance has been achieved, fixed sheaves maintain alignment and minimize vibration more effectively. For direct drive units, move fan speed wire.

BEARING CHECK

Prior to energizing any fans, check and make sure that all setscrews are tight so that bearings are properly secured to shafts.

TENSION AND ALIGNMENT ADJUSTMENT

Correct belt tension is very important to the life of your belt. Too loose a belt will shorten its life; too tight, premature motor and bearing failure will occur. Check you belt drive for adequate "run-in" belt tension by measuring the force required to deflect the belt at the midpoint of the span length. Belt tension force can be measured using a belt tension gauge, available through most belt drive manufacturers.



*Apply force to the center of the span.

BELT TENSION ADJUSTMENT

- t = Span length, inches
- C = Center distance, inches
- D = Larger sheave diameter, inches
- d = Smaller sheave diameter, inches
- h = Deflection height, inches

TYPE		SMALL SHEAVE DIAMETER (in)	DEFLECTION FORCE (lbs)		DEFLECTION (in)
BELT	DRIVE		USED	NEW	
AX	Standard	3.0 to 4.0	4.2 ± 0.5	5.5 ± 0.5	0.313

RECOMMENDED POUNDS OF FORCE PER BELT

New V-belts will drop rapidly during the first few hours of use. Check tension frequently during the first 24 hours of operation. Tension should fall between the minimum and maximum force. To determine the deflection distance from a normal position, measure the distance from sheave to sheave using a straightedge or a cord. This is your reference line. On multiple belt drives, an adjacent undeflected belt can be used as a reference.

MOTOR SHEAVE ADJUSTMENTS

VL, VM, & 2VP VARIABLE PITCH KEY TYPE MOTOR SHEAVES

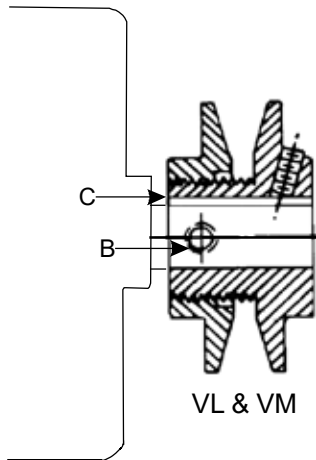
The driving and driven motor sheaves should be in alignment with each other and the shafts parallel.

VL & VM SHEAVES ADJUSTMENT

1. Loosen set screw "B" using a 5/32" Allen key.
2. Making half or full turns from closed position, adjust sheave pitch diameter for desired speed. DO NOT OPEN MORE THAN FIVE FULL TURNS.
3. Tighten set screw "B" securely over flat.
4. Carefully put on belts and adjust belt tension. DO NOT FORCE BELTS OVER GROOVES.
5. Ensure all keys are in place and the set screws tight

before starting drive. Recheck set screws and belt tension after 24 hours service.

NOTE: Future adjustments should be made by loosening the belt tension and increasing or decreasing the pitch diameter of the sheave by half or full turns as required. Readjust belt tension before starting drive.



NOTE: Do NOT operate sheave with flange projecting beyond the hub end.

REFRIGERATION SYSTEM CHECKS

This unit is equipped with thermal expansion valves. Ensure the hold-down bolts on the compressor are secure and have not vibrated loose during shipment. Check that the vibration grommets have been installed and visually check all piping for damage and leaks and repair if necessary. The entire system has been factory charged and tested, making it unnecessary to field charge. Factory refrigerant charge is shown on the unit's nameplate.

To confirm charge levels or, if a leak occurs and charge needs to be added to the system, it is recommended to evacuate the system and recharge refrigerant to the unit's nameplate specifications. This unit has been rated in the cooling mode at the AHRI rated conditions of: indoor (80°F db/67°F wb) and outdoor (95°F db). While operating at this condition, the superheat should range from 9°F to 11°F for each refrigeration circuit measured at the suction service port located near the compressor.

START-UP PROCEDURE AND CHECKLIST

Begin with power turned off at all disconnects.

AIR CONDITIONING START-UP PROCEDURE

1. Ensure the thermostat is set to OFF and Fan is set to Auto.
2. Inspect all registers and set them to the normal open position.
3. Turn on the electrical supply at the disconnect.
4. Turn the fan switch to the "ON" position. The blower should operate after a 7 second delay.
5. Turn the fan switch to "Auto" position. The blower should stop after a 60 second delay.
6. Set the thermostat to Cool mode and slowly lower the cooling temperature until the unit starts. The compressor, blower and fan should now be operating. Allow the unit to run 10 minutes, make



sure cool air is being supplied by the unit.

7. Check that the compressor is operating correctly. The scroll compressors in these units MUST operate in the proper rotation. To ensure the compressors are operating in the correct direction, check the compressor discharge line pressure or temperature after the compressor is started. The discharge pressure and discharge line temperature should increase. If this does not occur and the compressor is producing an exceptional amount of noise, this indicates that there is a phasing issue.

Perform the following to correct:

- 7.1 Turn power to the unit OFF.
- 7.2 Switch any two leads of power supply at unit Single Point Power Block.
- 7.3 Turn power to the unit ON.
- 7.4 Perform step 7 again.
8. Turn the temperature setting to the highest position, stopping the unit. The indoor blower will continue to run for 60 seconds.
9. Turn the thermostat system switch to "OFF" and disconnect all power when servicing the unit.

NOTE: THE COMPRESSOR HAS 180 SECOND RE-START DELAY ON TIMER TO AVOID SHORT CYCLING.

 WARNING
<p>HIGH VOLTAGE! DISCONNECT ALL POWER BEFORE SERVICING OR INSTALLING THIS UNIT. MULTIPLE POWER SOURCES MAY BE PRESENT. FAILURE TO DO SO MAY CAUSE PROPERTY DAMAGE, PERSONAL INJURY OR DEATH.</p>


HEAT PUMP START-UP PROCEDURE

10. Check the cooling mode for the heat pump in the same manner as above. The reversing valve is energized when the thermostat is placed in the cooling position. A clicking sound should be noticeable from the reversing valve. By lowering the temperature setting to call for cooling, the solenoid valve is energized. The compressor, blower and fan should then be running. After the cooling mode is checked out, turn the thermostat system switch to "OFF".
11. Turn the thermostat system switch to "HEAT" and fan switch to "AUTO".
12. Slowly raise the heating temperature setting. When the heating first stage makes contact, stop raising the temperature setting. The compressor, blower and fan should now be running with the reversing valve in the deenergized (heating) position. After giving the unit time to settle out, make sure the unit is supplying heated air. Note: If the outdoor ambient is above 80°F, the unit may trip on its high pressure cut out when on heating. The compressor should stop. The heating cycle must be thoroughly checked, so postpone the test to

another day when conditions are more suitable but **DO NOT FAIL TO TEST**. If the outdoor ambient is low and the unit operates properly on the heating cycle, you may check the pressure cutout operation by blocking off the indoor return air until the unit trips.

13. Once the heating has been confirmed, raise the temperature setting until the second stage heating makes contact. Supplemental resistance heat, if installed should now come on. Make sure it operates properly.
14. For thermostats with emergency heat switch, set thermostat to Emergency Heat mode. The heat pump will stop, the blower will continue to run, all heaters will come on and the thermostat emergency heat light will come on. Confirm heaters operate normally.

FINAL SYSTEM CHECKS

15. Check to see if all supply and return air grilles are adjusted and the air distribution system is balanced for the best compromise between heating and cooling.
16. Check for air leaks in the ductwork. See Sections on Air Flow Adjustments.
17. Make sure the unit is free of “rattles”, and the tubing in the unit is free from excessive vibration. Also make sure tubes or lines are not rubbing against each other or sheet metal surfaces or edges. If so, correct the trouble.
18. Set the thermostat at the appropriate setting for cooling and heating or automatic changeover for normal use.
19. Be sure the Owner is instructed on the unit operation, filter, servicing, correct thermostat operation, etc.

REFRIGERATION PERFORMANCE CHECK

Check that compressor RLA corresponds to values shown in Appendix B. RLA draw can be much lower than values listed at low load conditions and low ambient condensing temperatures. Values in Appendix B can slightly exceed at high load conditions and high ambient condensing temperatures.

HEAT PUMP OPERATION

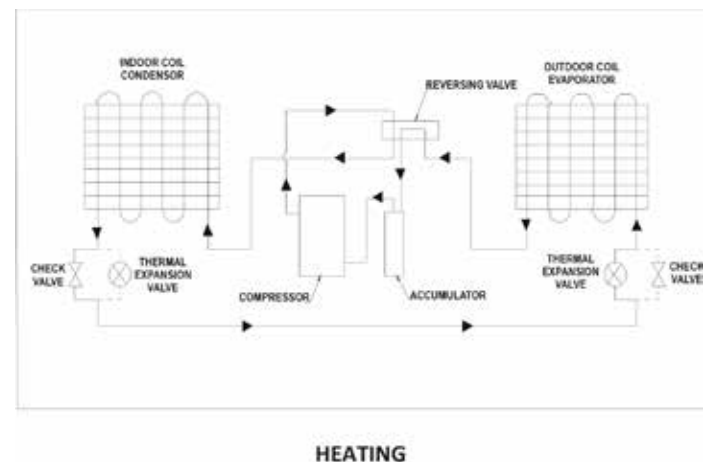
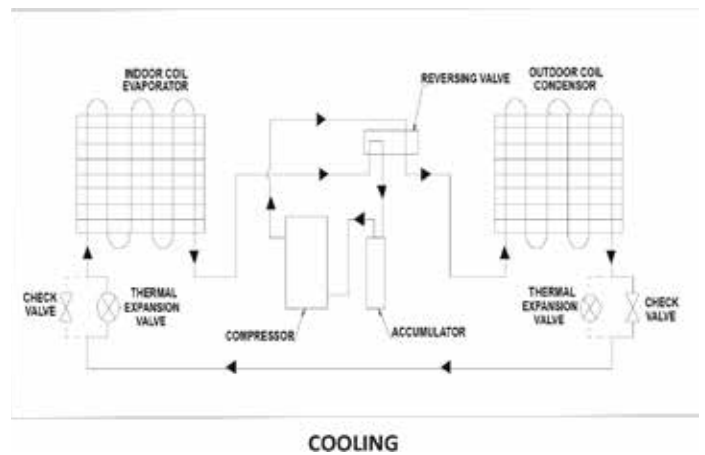
COOLING CYCLE

When the heat pump is in the cooling cycle, it operates exactly as a Summer Air Conditioner unit. In this mode, all the charts and data for service that apply to summer air conditioning apply to the heat pump. Most apply on the heating cycle except the “condenser” becomes the “evaporator”, “evaporator” becomes “condenser”, “cooling” becomes “heating”.

HEATING CYCLE

The heat pump switches from cooling cycle by redirecting refrigerant flow through the refrigerant circuit external to the compressor. This is accomplished by the reversing valve. Hot discharge vapor from the compressor is directed to the indoor coil (evaporator on the cooling cycle) where the heat is removed, and the vapor condenses to liquid. It then goes through the expansion device to the outdoor coil (condenser on the cooling cycle) where the liquid is evaporated, and the vapor goes to the compressor.

The following figures show a schematic of a heat pump on the cooling cycle and the heating cycle. The heat pump is equipped with thermal expansion valves for the indoor and outdoor coils. It is also provided with a defrost control system.



HEATING

When the heat pump is on the heating cycle, the outdoor coil is functioning as an evaporator. The temperature of the refrigerant in the outdoor coil must be below the temperature of the outdoor air in order to extract heat from the air. Thus, the greater the difference in the outdoor temperature and the outdoor coil temperature, the greater the heating capacity of the heat pump. This phenomenon is a characteristic of a heat pump. It is a good practice to provide supplementary heat for all heat pump installations in areas where the temperature drops below 45° F. It is also a good practice to provide sufficient supplementary heat to handle the entire heating requirement should there be a component failure of the heat pump, such as a compressor, or refrigerant leak, etc.



Since the temperature of the refrigerant in the outdoor coil on the heating cycle is generally below freezing point, frost forms on the surfaces of the outdoor coil under certain weather conditions of temperature and relative humidity. Therefore, it is necessary to reverse the flow of the refrigerant to provide hot gas in the outdoor coil to melt the frost accumulation. This is accomplished by reversing the heat pump to the cooling cycle. At the same time, the outdoor fan stops to hasten the temperature rise of the outdoor coil and lessen the time required for defrosting. The indoor blower continues to run and the supplementary heaters are energized.


DEFROST CONTROL


During operation the Defrost signal to the circuit board is controlled by a temperature sensor, which is clamped to a feeder tube entering the outdoor coil. Defrost timing periods of 30, 60 and 90 minutes may be selected

by connecting the circuit board jumper to 30, 60 and 90 respectively. Accumulation of time for the timing period selected starts when the sensor contact closes (approximately 31°F), and when the wall thermostat calls for heat. At the end of the timing period, the unit's defrost cycle will be initiated provided the sensor contact remains closed. When the sensor contact opens (approximately 75°F), the defrost cycle is terminated and the timing period is reset. If the defrost cycle is not terminated due to the sensor temperature, a ten minute override interrupts the unit's defrost period.

MAINTENANCE


	WARNING
<p>HIGH VOLTAGE! DISCONNECT ALL POWER BEFORE SERVICING OR INSTALLING THIS UNIT. MULTIPLE POWER SOURCES MAY BE PRESENT. FAILURE TO DO SO MAY CAUSE PROPERTY DAMAGE, PERSONAL INJURY OR DEATH.</p>	
	

	WARNING
<p>TO PREVENT PERSONAL INJURY OR DEATH DUE TO IMPROPER INSTALLATION, ADJUSTMENT, ALTERATION, SERVICE OR MAINTENANCE, REFER TO THIS MANUAL. FOR ADDITIONAL ASSISTANCE OR INFORMATION, CONSULT A QUALIFIED INSTALLER, SERVICER AGENCY OR THE GAS SUPPLIER.</p>	

	CAUTION
<p>SHEET METAL PARTS, SCREWS, CLIPS AND SIMILAR ITEMS INHERENTLY HAVE SHARP EDGES, AND IT IS NECESSARY THAT THE INSTALLER AND SERVICE PERSONNEL EXERCISE CAUTION.</p>	

The Self Contained Packaged Air Conditioner and Heat Pump should operate for many years without excessive service calls if the unit is installed properly. However it is recommended that the owner inspect the unit before a seasonal start up. The coils should be free of debris so adequate airflow is achieved. The return and supply registers should be free of any obstructions. The filters should be cleaned or replaced. These few steps will help to keep the product up time to a maximum. The Service section that follows should help in identifying problems if the unit does not operate properly.

FILTERS

	CAUTION
<p>TO PREVENT PROPERTY DAMAGE DUE TO FIRE AND LOSS OF EQUIPMENT EFFICIENCY OR EQUIPMENT DAMAGE DUE TO DUST AND LINT BUILD UP ON INTERNAL PARTS, NEVER OPERATE UNIT WITHOUT AN AIR FILTER INSTALLED IN THE RETURN AIR SYSTEM.</p>	

Every application may require a different frequency of replacement of dirty filters. Filters must be replaced at least every three (3) months during operating seasons.

Dirty filters are the most common cause of inadequate heating or cooling performance. Filter inspection should be made at least every two months; more often if necessary because of local conditions and usage.

Dirty throwaway filters should be discarded and replaced with a new, clean filter.

Disposable return air filters are supplied with this unit. See the unit Specification Sheet or Technical Manual for the correct size and part number. To remove the filters, remove the filter access panel on return side of the unit.

CABINET FINISH MAINTENANCE

Use a fine grade automotive wax on the cabinet finish to maintain the finish's original high luster. This is especially important in installations with extended periods of direct sunlight.

CLEAN OUTSIDE COIL (QUALIFIED SERVICER ONLY)

The coil with the outside air flowing over it should be inspected annually and cleaned as frequently as necessary to keep the finned areas free of lint, hair and debris.

LUBRICATION

The supply fan motors, the condenser fan motors and compressors are permanently lubricated.

FUNCTIONAL PARTS

Refer to the unit Parts Catalog for a list of functional parts. Parts are available from your distributor.

APPENDIX A BLOWER PERFORMANCE TABLES - AC

DBC036*B STANDARD BELT DRIVE DOWNSHOT																		
ESP, In H ₂ O	TURNS OPEN																	
	0			1			2			3			4			5		
	CFM	RPM	BHP	CFM	RPM	BHP	CFM	RPM	BHP	CFM	RPM	BHP	CFM	RPM	BHP	CFM	RPM	BHP
0.1	-	-	-	-	-	-	-	-	-	1389	750	0.29	1263	690	0.22	1105	620	0.16
0.2	-	-	-	-	-	-	1436	820	0.35	1278	750	0.26	1137	690	0.20	957	620	0.13
0.3	-	-	-	1478	885	0.42	1330	820	0.33	1155	750	0.24	994	690	0.17	-	-	-
0.4	-	-	-	1376	885	0.39	1213	820	0.30	1015	750	0.21	-	-	-	-	-	-
0.5	1427	950	0.47	1266	885	0.36	1082	820	0.27	-	-	-	-	-	-	-	-	-
0.6	1323	950	0.44	1143	885	0.33	929	820	0.24	-	-	-	-	-	-	-	-	-
0.7	1208	950	0.41	1001	885	0.30	-	-	-	-	-	-	-	-	-	-	-	-
0.8	1077	950	0.37	-	-	-	-	-	-	-	-	-	-	-	-	-	-	-

DBC036*C HIGH STATIC BELT DRIVE DOWNSHOT																		
ESP, In H ₂ O	TURNS OPEN																	
	0			1			2			3			4			5		
	CFM	RPM	BHP	CFM	RPM	BHP	CFM	RPM	BHP	CFM	RPM	BHP	CFM	RPM	BHP	CFM	RPM	BHP
0.7	-	-	-	-	-	-	-	-	-	-	-	-	-	-	-	1481	1020	0.57
0.8	-	-	-	-	-	-	-	-	-	-	-	-	-	-	-	1370	1020	0.53
0.9	-	-	-	-	-	-	-	-	-	-	-	-	1434	1080	0.62	1247	1020	0.49
1.0	-	-	-	-	-	-	-	-	-	1493	1140	0.72	1321	1080	0.58	1106	1020	0.45
1.1	-	-	-	-	-	-	-	-	-	1389	1140	0.68	1195	1080	0.54	939	1020	0.40
1.2	-	-	-	-	-	-	1460	1200	0.78	1274	1140	0.63	1049	1080	0.49	-	-	-
1.3	-	-	-	1515	1260	0.89	1356	1200	0.74	1144	1140	0.58	-	-	-	-	-	-
1.4	-	-	-	1421	1260	0.85	1240	1200	0.69	992	1140	0.53	-	-	-	-	-	-
1.5	1482	1320	0.97	1318	1260	0.80	1108	1200	0.64	-	-	-	-	-	-	-	-	-
1.6	1391	1320	0.92	1204	1260	0.75	951	1200	0.58	-	-	-	-	-	-	-	-	-
1.7	1291	1320	0.87	1073	1260	0.70	-	-	-	-	-	-	-	-	-	-	-	-
1.8	1179	1320	0.82	916	1260	0.64	-	-	-	-	-	-	-	-	-	-	-	-

¹To operate below 0.7" H₂O external static pressure, motor and blower sheave must be changed to VL34 and AK59 respectively, or equivalents.

APPENDIX A BLOWER PERFORMANCE DATA - AC

DBC036*B STANDARD BELT DRIVE HORIZONTAL																		
ESP, In H ₂ O	TURNS OPEN																	
	0			1			2			3			4			5		
	CFM	RPM	BHP	CFM	RPM	BHP	CFM	RPM	BHP	CFM	RPM	BHP	CFM	RPM	BHP	CFM	RPM	BHP
0.1	-	-	-	-	-	-	-	-	-	-	-	-	1386	690	0.25	1209	620	0.17
0.2	-	-	-	-	-	-	-	-	-	1420	750	0.29	1259	690	0.22	1061	620	0.15
0.3	-	-	-	-	-	-	1494	820	0.37	1294	750	0.27	1114	690	0.19	-	-	-
0.4	-	-	-	-	-	-	1373	820	0.34	1152	750	0.24	942	690	0.17	-	-	-
0.5	-	-	-	1436	885	0.41	1238	820	0.31	983	750	0.21	-	-	-	-	-	-
0.6	1505	950	0.50	1309	885	0.38	1081	820	0.27	-	-	-	-	-	-	-	-	-
0.7	1385	950	0.46	1163	885	0.34	-	-	-	-	-	-	-	-	-	-	-	-
0.8	1250	950	0.42	989	885	0.30	-	-	-	-	-	-	-	-	-	-	-	-

DBC036*C HIGH STATIC BELT DRIVE HORIZONTAL																		
ESP, In H ₂ O	TURNS OPEN																	
	0			1			2			3			4			5		
	CFM	RPM	BHP	CFM	RPM	BHP	CFM	RPM	BHP	CFM	RPM	BHP	CFM	RPM	BHP	CFM	RPM	BHP
0.8	-	-	-	-	-	-	-	-	-	-	-	-	-	-	-	1539	1020	0.59
0.9	-	-	-	-	-	-	-	-	-	-	-	-	-	-	-	1413	1020	0.54
1.0	-	-	-	-	-	-	-	-	-	-	-	-	1497	1080	0.65	1270	1020	0.50
1.1	-	-	-	-	-	-	-	-	-	-	-	-	1367	1080	0.60	1101	1020	0.45
1.2	-	-	-	-	-	-	-	-	-	1456	1140	0.71	1219	1080	0.55	-	-	-
1.3	-	-	-	-	-	-	-	-	-	1323	1140	0.65	1040	1080	0.49	-	-	-
1.4	-	-	-	-	-	-	1429	1200	0.78	1168	1140	0.60	-	-	-	-	-	-
1.5	-	-	-	1533	1260	0.91	1294	1200	0.72	975	1140	0.53	-	-	-	-	-	-
1.6	-	-	-	1413	1260	0.85	1134	1200	0.66	-	-	-	-	-	-	-	-	-
1.7	1528	1320	1.00	1277	1260	0.79	931	1200	0.59	-	-	-	-	-	-	-	-	-
1.8	1409	1320	0.94	1116	1260	0.73	-	-	-	-	-	-	-	-	-	-	-	-

¹To operate below 0.8" H₂O external static pressure, motor and blower sheave must be changed to VL34 and AK59 respectively, or equivalents.

APPENDIX A BLOWER PERFORMANCE TABLES - AC

DBC048*B STANDARD BELT DRIVE DOWNSHOT																		
ESP, In H ₂ O	TURNS OPEN																	
	0			1			2			3			4			5		
	CFM	RPM	BHP	CFM	RPM	BHP	CFM	RPM	BHP	CFM	RPM	BHP	CFM	RPM	BHP	CFM	RPM	BHP
0.1	1989	1020	0.77	1874	960	0.64	1751	900	0.53	1641	840	0.43	1526	780	0.34	1454	720	0.29
0.2	1913	1020	0.74	1792	960	0.61	1662	900	0.50	1542	840	0.40	1416	780	0.32	1334	720	0.27
0.3	1834	1020	0.70	1706	960	0.58	1567	900	0.47	1436	840	0.37	1295	780	0.29	1200	720	0.24
0.4	1750	1020	0.67	1614	960	0.55	1465	900	0.43	1319	840	0.34	-	-	-	-	-	-
0.5	1662	1020	0.63	1517	960	0.51	1354	900	0.40	-	-	-	-	-	-	-	-	-
0.6	1568	1020	0.60	1411	960	0.48	1232	900	0.37	-	-	-	-	-	-	-	-	-
0.7	1467	1020	0.56	1295	960	0.44	-	-	-	-	-	-	-	-	-	-	-	-
0.8	1357	1020	0.52	-	-	-	-	-	-	-	-	-	-	-	-	-	-	-

DBC048*C HIGH STATIC BELT DRIVE DOWNSHOT																		
ESP, In H ₂ O	TURNS OPEN																	
	0			1			2			3			4			5		
	CFM	RPM	BHP	CFM	RPM	BHP	CFM	RPM	BHP	CFM	RPM	BHP	CFM	RPM	BHP	CFM	RPM	BHP
0.6	-	-	-	-	-	-	-	-	-	1996	1200	1.05	1872	1135	0.88	1741	1075	0.74
0.7	-	-	-	-	-	-	-	-	-	1922	1200	1.01	1790	1135	0.84	1650	1075	0.70
0.8	-	-	-	-	-	-	1985	1265	1.17	1845	1200	0.97	1703	1135	0.80	1551	1075	0.66
0.9	-	-	-	-	-	-	1914	1265	1.12	1765	1200	0.93	1611	1135	0.76	1445	1075	0.62
1.0	-	-	-	1939	1325	1.25	1839	1265	1.08	1679	1200	0.89	1513	1135	0.72	1329	1075	0.58
1.1	1978	1390	1.40	1869	1325	1.20	1760	1265	1.04	1588	1200	0.85	1405	1135	0.68	-	-	-
1.2	1914	1390	1.35	1796	1325	1.16	1676	1265	0.99	1490	1200	0.80	1287	1135	0.63	-	-	-
1.3	1847	1390	1.31	1719	1325	1.11	1587	1265	0.94	1383	1200	0.75	-	-	-	-	-	-
1.4	1777	1390	1.26	1638	1325	1.06	1492	1265	0.90	1265	1200	0.71	-	-	-	-	-	-
1.5	1704	1390	1.22	1551	1325	1.02	1388	1265	0.85	-	-	-	-	-	-	-	-	-
1.6	1626	1390	1.17	1458	1325	0.97	1273	1265	0.79	-	-	-	-	-	-	-	-	-
1.7	1544	1390	1.12	1357	1325	0.92	-	-	-	-	-	-	-	-	-	-	-	-
1.8	1455	1390	1.07	1245	1325	0.86	-	-	-	-	-	-	-	-	-	-	-	-

1To operate below 0.6" H2O external static pressure, motor and blower sheave must be changed to VL40 and AK64 respectively, or equivalents.

APPENDIX A BLOWER PERFORMANCE TABLES - AC

DBC048*B STANDARD BELT DRIVE HORIZONTAL																		
ESP, In H₂O	TURNS OPEN																	
	0			1			2			3			4			5		
	CFM	RPM	BHP	CFM	RPM	BHP	CFM	RPM	BHP	CFM	RPM	BHP	CFM	RPM	BHP	CFM	RPM	BHP
0.1	-	-	-	-	-	-	1901	900	0.58	1772	840	0.47	1640	780	0.37	1554	720	0.32
0.2	-	-	-	1943	960	0.67	1810	900	0.55	1672	840	0.44	1529	780	0.34	1435	720	0.29
0.3	1987	1020	0.77	1855	960	0.63	1713	900	0.51	1564	840	0.41	1409	780	0.31	1303	720	0.26
0.4	1902	1020	0.73	1762	960	0.60	1609	900	0.48	1447	840	0.37	1274	780	0.28	-	-	-
0.5	1812	1020	0.69	1663	960	0.56	1497	900	0.44	1317	840	0.34	-	-	-	-	-	-
0.6	1716	1020	0.65	1555	960	0.52	1372	900	0.41	-	-	-	-	-	-	-	-	-
0.7	1614	1020	0.62	1438	960	0.49	1232	900	0.37	-	-	-	-	-	-	-	-	-
0.8	1502	1020	0.57	1307	960	0.45	-	-	-	-	-	-	-	-	-	-	-	-

DBC048*C HIGH STATIC BELT DRIVE HORIZONTAL																		
ESP, In H₂O	TURNS OPEN																	
	0			1			2			3			4			5		
	CFM	RPM	BHP	CFM	RPM	BHP	CFM	RPM	BHP	CFM	RPM	BHP	CFM	RPM	BHP	CFM	RPM	BHP
0.6	-	-	-	-	-	-	-	-	-	-	-	-	-	-	-	1895	1075	0.81
0.7	-	-	-	-	-	-	-	-	-	-	-	-	1958	1135	0.93	1802	1075	0.76
0.8	-	-	-	-	-	-	-	-	-	-	-	-	1869	1135	0.88	1702	1075	0.72
0.9	-	-	-	-	-	-	-	-	-	1945	1200	1.03	1775	1135	0.84	1595	1075	0.68
1.0	-	-	-	-	-	-	-	-	-	1857	1200	0.98	1675	1135	0.79	1477	1075	0.63
1.1	-	-	-	-	-	-	1953	1265	1.15	1763	1200	0.93	1566	1135	0.74	1346	1075	0.58
1.2	-	-	-	-	-	-	1867	1265	1.10	1663	1200	0.88	1446	1135	0.69	-	-	-
1.3	-	-	-	1950	1325	1.25	1775	1265	1.05	1554	1200	0.83	1310	1135	0.64	-	-	-
1.4	-	-	-	1864	1325	1.20	1677	1265	0.99	1434	1200	0.78	-	-	-	-	-	-
1.5	1974	1390	1.40	1773	1325	1.15	1570	1265	0.94	1298	1200	0.72	-	-	-	-	-	-
1.6	1891	1390	1.34	1675	1325	1.09	1452	1265	0.88	-	-	-	-	-	-	-	-	-
1.7	1802	1390	1.29	1569	1325	1.03	1320	1265	0.82	-	-	-	-	-	-	-	-	-
1.8	1707	1390	1.23	1452	1325	0.97	-	-	-	-	-	-	-	-	-	-	-	-

¹To operate below 0.6" H₂O external static pressure, motor and blower sheave must be changed to VL40 and AK64 respectively, or equivalents.

APPENDIX A BLOWER PERFORMANCE TABLES - AC

DBC060*B STANDARD BELT DRIVE DOWNSHOT																		
ESP, In H ₂ O	TURNS OPEN																	
	0			1			2			3			4			5		
	CFM	RPM	BHP	CFM	RPM	BHP	CFM	RPM	BHP	CFM	RPM	BHP	CFM	RPM	BHP	CFM	RPM	BHP
0.1	2193	1110	1.01	2077	1050	0.85	1941	980	0.69	1823	915	0.57	1697	850	0.45	1566	785	0.36
0.2	2124	1110	0.97	2003	1050	0.82	1860	980	0.66	1734	915	0.54	1598	850	0.42	-	-	-
0.3	2053	1110	0.93	1926	1050	0.78	1775	980	0.63	1640	915	0.50	-	-	-	-	-	-
0.4	1978	1110	0.90	1845	1050	0.75	1686	980	0.59	1539	915	0.47	-	-	-	-	-	-
0.5	1901	1110	0.86	1760	1050	0.71	1590	980	0.56	-	-	-	-	-	-	-	-	-
0.6	1819	1110	0.82	1670	1050	0.67	-	-	-	-	-	-	-	-	-	-	-	-
0.7	1733	1110	0.78	1574	1050	0.64	-	-	-	-	-	-	-	-	-	-	-	-
0.8	1642	1110	0.74	-	-	-	-	-	-	-	-	-	-	-	-	-	-	-

DBC060*C HIGH STATIC BELT DRIVE DOWNSHOT																		
ESP, In H ₂ O	TURNS OPEN																	
	0			1			2			3			4			5		
	CFM	RPM	BHP	CFM	RPM	BHP				CFM	RPM	BHP	CFM	RPM	BHP	CFM	RPM	BHP
0.6	-	-	-	-	-	-	-	-	-	-	-	-	2237	1245	1.27	2072	1175	1.03
0.7	-	-	-	-	-	-	-	-	-	2333	1315	1.48	2164	1245	1.23	1990	1175	0.99
0.8	-	-	-	-	-	-	-	-	-	2264	1315	1.43	2088	1245	1.18	1905	1175	0.95
0.9	-	-	-	-	-	-	-	-	-	2192	1315	1.39	2008	1245	1.14	1815	1175	0.90
1.0	-	-	-	-	-	-	-	-	-	2117	1315	1.34	1924	1245	1.09	1719	1175	0.86
1.1	-	-	-	-	-	-	-	-	-	2039	1315	1.29	1835	1245	1.05	1617	1175	0.81
1.2	-	-	-	-	-	-	2147	1385	1.51	1957	1315	1.24	1742	1245	1.00	1506	1175	0.77
1.3	-	-	-	-	-	-	2071	1385	1.46	1871	1315	1.19	1641	1245	0.95	-	-	-
1.4	-	-	-	-	-	-	1991	1385	1.41	1779	1315	1.14	1532	1245	0.90	-	-	-
1.5	-	-	-	-	-	-	1907	1385	1.35	1681	1315	1.09	-	-	-	-	-	-
1.6	-	-	-	-	-	-	1819	1385	1.30	1576	1315	1.03	-	-	-	-	-	-
1.7	-	-	-	1917	1455	1.50	1724	1385	1.24	-	-	-	-	-	-	-	-	-
1.8	-	-	-	1834	1455	1.45	1623	1385	1.18	-	-	-	-	-	-	-	-	0.00

¹To operate below 0.6" H₂O external static pressure, motor and blower sheave must be changed to VL40 and AK59 respectively, or equivalents.

APPENDIX A BLOWER PERFORMANCE TABLES - AC

DBC060*B STANDARD BELT DRIVE HORIZONTAL																		
ESP, In H ₂ O	TURNS OPEN																	
	0			1			2			3			4			5		
	CFM	RPM	BHP	CFM	RPM	BHP	CFM	RPM	BHP	CFM	RPM	BHP	CFM	RPM	BHP	CFM	RPM	BHP
0.1	-	-	-	2237	1050	0.93	2096	980	0.76	1952	915	0.62	1802	850	0.49	1652	785	0.38
0.2	-	-	-	2162	1050	0.89	2014	980	0.72	1862	915	0.58	1703	850	0.46	1542	785	0.35
0.3	-	-	-	2083	1050	0.85	1928	980	0.69	1767	915	0.55	1597	850	0.43	-	-	-
0.4	2137	1110	0.98	2001	1050	0.82	1837	980	0.65	1666	915	0.51	-	-	-	-	-	-
0.5	2058	1110	0.94	1914	1050	0.78	1740	980	0.61	1556	915	0.48	-	-	-	-	-	-
0.6	1975	1110	0.89	1822	1050	0.74	1636	980	0.58	-	-	-	-	-	-	-	-	-
0.7	1888	1110	0.85	1725	1050	0.70	1523	980	0.54	-	-	-	-	-	-	-	-	-
0.8	1795	1110	0.81	1620	1050	0.65	-	-	-	-	-	-	-	-	-	-	-	-

DBC060*C HIGH STATIC BELT DRIVE HORIZONTAL																		
ESP, In H ₂ O	TURNS OPEN																	
	0			1			2			3			4			5		
	CFM	RPM	BHP	CFM	RPM	BHP	CFM	RPM	BHP	CFM	RPM	BHP	CFM	RPM	BHP	CFM	RPM	BHP
0.6	-	-	-	-	-	-	-	-	-	-	-	-	2394	1245	1.37	2239	1175	1.12
0.7	-	-	-	-	-	-	-	-	-	-	-	-	2320	1245	1.32	2157	1175	1.08
0.8	-	-	-	-	-	-	-	-	-	2407	1315	1.53	2242	1245	1.28	2070	1175	1.03
0.9	-	-	-	-	-	-	-	-	-	2334	1315	1.48	2162	1245	1.23	1979	1175	0.98
1.0	-	-	-	-	-	-	-	-	-	2259	1315	1.43	2077	1245	1.18	1881	1175	0.94
1.1	-	-	-	-	-	-	-	-	-	2181	1315	1.38	1988	1245	1.13	1778	1175	0.89
1.2	-	-	-	-	-	-	-	-	-	2098	1315	1.33	1893	1245	1.08	1665	1175	0.84
1.3	-	-	-	-	-	-	-	-	-	2012	1315	1.27	1792	1245	1.02	1542	1175	0.78
1.4	-	-	-	-	-	-	2120	1385	1.49	1921	1315	1.22	1683	1245	0.97	-	-	-
1.5	-	-	-	-	-	-	2036	1385	1.43	1823	1315	1.16	1564	1245	0.91	-	-	-
1.6	-	-	-	-	-	-	1948	1385	1.38	1718	1315	1.10	-	-	-	-	-	-
1.7	-	-	-	-	-	-	1855	1385	1.32	1604	1315	1.04	-	-	-	-	-	-
1.8	-	-	-	1981	1455	1.55	1755	1385	1.26	-	-	-	-	-	-	-	-	-

¹To operate below 0.6" H₂O external static pressure, motor and blower sheave must be changed to VL40 and AK59 respectively, or equivalents.

APPENDIX A BLOWER PERFORMANCE TABLES - AC

DBC072*V STANDARD BELT DRIVE DOWNSHOT																		
ESP, In H ₂ O	TURNS OPEN																	
	0			1			2			3			4			5		
	CFM	RPM	BHP	CFM	RPM	BHP	CFM	RPM	BHP	CFM	RPM	BHP	CFM	RPM	BHP	CFM	RPM	BHP
0.1	2898	1315	1.90	2754	1245	1.62	2612	1175	1.37	2498	1110	1.16	2366	1040	0.97	2227	970	0.79
0.2	2838	1315	1.85	2690	1245	1.57	2544	1175	1.33	2423	1110	1.12	2283	1040	0.93	2137	970	0.75
0.3	2777	1315	1.81	2624	1245	1.53	2472	1175	1.28	2345	1110	1.08	2198	1040	0.89	2041	970	0.71
0.4	2714	1315	1.76	2557	1245	1.48	2399	1175	1.24	2265	1110	1.04	2108	1040	0.84	1941	970	0.67
0.5	2649	1315	1.71	2486	1245	1.43	2322	1175	1.19	2180	1110	0.99	2013	1040	0.80	1833	970	0.63
0.6	2583	1315	1.66	2414	1245	1.39	2242	1175	1.15	2092	1110	0.95	1913	1040	0.76	-	-	-
0.7	2514	1315	1.61	2339	1245	1.34	2159	1175	1.10	1999	1110	0.90	1805	1040	0.71	-	-	-
0.8	2443	1315	1.56	2260	1245	1.29	2072	1175	1.05	1900	1110	0.86	-	-	-	-	-	-

DBC072*S HIGH STATIC BELT DRIVE DOWNSHOT																		
ESP, In H ₂ O	TURNS OPEN																	
	0			1			2			3			4			5		
	CFM	RPM	BHP	CFM	RPM	BHP	CFM	RPM	BHP	CFM	RPM	BHP	CFM	RPM	BHP	CFM	RPM	BHP
0.6	-	-	-	-	-	-	2630	1385	1.88	2492	1315	1.60	2337	1245	1.34	2179	1175	1.11
0.7	-	-	-	-	-	-	2569	1385	1.83	2425	1315	1.55	2264	1245	1.29	2098	1175	1.07
0.8	-	-	-	-	-	-	2507	1385	1.78	2357	1315	1.50	2188	1245	1.25	2013	1175	1.02
0.9	-	-	-	-	-	-	2442	1385	1.73	2285	1315	1.45	2109	1245	1.20	1924	1175	0.97
1.0	-	-	-	2514	1455	1.96	2375	1385	1.68	2211	1315	1.40	2026	1245	1.15	1828	1175	0.93
1.1	-	-	-	2452	1455	1.91	2306	1385	1.62	2134	1315	1.35	1938	1245	1.10	-	-	-
1.2	-	-	-	2387	1455	1.86	2234	1385	1.57	2053	1315	1.30	1846	1245	1.05	-	-	-
1.3	-	-	-	2321	1455	1.80	2159	1385	1.52	1968	1315	1.25	-	-	-	-	-	-
1.4	-	-	-	2251	1455	1.75	2080	1385	1.46	1878	1315	1.19	-	-	-	-	-	-
1.5	2346	1525	2.00	2179	1455	1.69	1998	1385	1.41	-	-	-	-	-	-	-	-	-
1.6	2280	1525	1.94	2104	1455	1.63	1911	1385	1.35	-	-	-	-	-	-	-	-	-
1.7	2211	1525	1.88	2026	1455	1.57	1819	1385	1.29	-	-	-	-	-	-	-	-	-
1.8	2140	1525	1.82	1943	1455	1.51	-	-	-	-	-	-	-	-	-	-	-	-

¹To operate below 0.6" H₂O external static pressure, motor and blower sheave must be changed to VL44 and AK56 respectively, or equivalents.

APPENDIX A BLOWER PERFORMANCE TABLES - AC

DBC072*V STANDARD BELT DRIVE HORIZONTAL																		
ESP, In H ₂ O	TURNS OPEN																	
	0			1			2			3			4			5		
	CFM	RPM	BHP	CFM	RPM	BHP	CFM	RPM	BHP	CFM	RPM	BHP	CFM	RPM	BHP	CFM	RPM	BHP
0.1	2840	1315	1.87	2701	1245	1.59	2563	1175	1.35	2437	1110	1.14	2296	1040	0.94	2151	970	0.77
0.2	2782	1315	1.82	2638	1245	1.55	2496	1175	1.30	2365	1110	1.10	2217	1040	0.90	2064	970	0.73
0.3	2722	1315	1.77	2574	1245	1.50	2427	1175	1.26	2289	1110	1.06	2134	1040	0.86	1973	970	0.69
0.4	2661	1315	1.73	2508	1245	1.46	2355	1175	1.22	2211	1110	1.01	2048	1040	0.82	1876	970	0.65
0.5	2598	1315	1.68	2440	1245	1.41	2280	1175	1.17	2129	1110	0.97	1956	1040	0.78	-	-	-
0.6	2533	1315	1.63	2369	1245	1.36	2202	1175	1.13	2044	1110	0.93	1860	1040	0.74	-	-	-
0.7	2466	1315	1.58	2296	1245	1.31	2121	1175	1.08	1953	1110	0.88	-	-	-	-	-	-
0.8	2397	1315	1.53	2219	1245	1.27	2036	1175	1.03	1858	1110	0.84	-	-	-	-	-	-

DBC072*S HIGH STATIC BELT DRIVE HORIZONTAL																		
ESP, In H ₂ O	TURNS OPEN																	
	0			1			2			3			4			5		
	CFM	RPM	BHP	CFM	RPM	BHP	CFM	RPM	BHP	CFM	RPM	BHP	CFM	RPM	BHP	CFM	RPM	BHP
0.6	-	-	-	-	-	-	2655	1385	1.90	2520	1315	1.62	2369	1245	1.36	2213	1175	1.13
0.7	-	-	-	-	-	-	2594	1385	1.85	2454	1315	1.57	2296	1245	1.31	2132	1175	1.09
0.8	-	-	-	-	-	-	2531	1385	1.80	2385	1315	1.52	2219	1245	1.27	2046	1175	1.04
0.9	-	-	-	-	-	-	2466	1385	1.75	2313	1315	1.47	2140	1245	1.22	1956	1175	0.99
1.0	-	-	-	2552	1455	2.00	2399	1385	1.70	2239	1315	1.42	2056	1245	1.17	1860	1175	0.94
1.1	-	-	-	2489	1455	1.94	2330	1385	1.64	2161	1315	1.37	1968	1245	1.12	-	-	-
1.2	-	-	-	2424	1455	1.89	2258	1385	1.59	2080	1315	1.32	1875	1245	1.06	-	-	-
1.3	-	-	-	2357	1455	1.83	2183	1385	1.53	1995	1315	1.26	-	-	-	-	-	-
1.4	-	-	-	2287	1455	1.77	2104	1385	1.48	1904	1315	1.21	-	-	-	-	-	-
1.5	-	-	-	2215	1455	1.72	2022	1385	1.42	1808	1315	1.15	-	-	-	-	-	-
1.6	2328	1525	1.98	2139	1455	1.66	1935	1385	1.36	-	-	-	-	-	-	-	-	-
1.7	2259	1525	1.92	2060	1455	1.60	1842	1385	1.30	-	-	-	-	-	-	-	-	-
1.8	2186	1525	1.86	1976	1455	1.54	-	-	-	-	-	-	-	-	-	-	-	-

¹To operate below 0.6" H₂O external static pressure, motor and blower sheave must be changed to VL44 and AK56 respectively, or equivalents.

APPENDIX A BLOWER PERFORMANCE TABLES - HEAT PUMP

DBH036*B STANDARD BELT DRIVE DOWNSHOT																		
ESP, In H₂O	TURNS OPEN																	
	0			1			2			3			4			5		
	CFM	RPM	BHP	CFM	RPM	BHP	CFM	RPM	BHP	CFM	RPM	BHP	CFM	RPM	BHP	CFM	RPM	BHP
0.1	-	-	-	-	-	-	-	-	-	-	-	-	1408	665	0.23	1253	600	0.17
0.2	-	-	-	-	-	-	-	-	-	1426	725	0.25	1272	665	0.21	1102	600	0.15
0.3	-	-	-	-	-	-	1474	790	0.34	1291	725	0.22	1122	665	0.18	932	600	0.12
0.4	-	-	-	-	-	-	1341	790	0.31	1142	725	0.19	953	665	0.16	-	-	-
0.5	-	-	-	1396	855	0.37	1196	790	0.27	975	725	0.16	-	-	-	-	-	-
0.6	1450	915	0.45	1256	855	0.34	1034	790	0.24	-	-	-	-	-	-	-	-	-
0.7	1317	915	0.41	1101	855	0.30	-	-	-	-	-	-	-	-	-	-	-	-
0.8	1170	915	0.37	924	855	0.26	-	-	-	-	-	-	-	-	-	-	-	-

DBH036*C HIGH STATIC BELT DRIVE DOWNSHOT																		
ESP, In H₂O	TURNS OPEN																	
	0			1			2			3			4			5		
	CFM	RPM	BHP	CFM	RPM	BHP	CFM	RPM	BHP	CFM	RPM	BHP	CFM	RPM	BHP	CFM	RPM	BHP
0.8	-	-	-	-	-	-	-	-	-	-	-	-	-	-	-	1587	1020	0.61
0.9	-	-	-	-	-	-	-	-	-	-	-	-	-	-	-	1456	1020	0.56
1.0	-	-	-	-	-	-	-	-	-	-	-	-	1515	1080	0.65	1312	1020	0.51
1.1	-	-	-	-	-	-	-	-	-	1565	1140	0.75	1383	1080	0.60	1151	1020	0.46
1.2	-	-	-	-	-	-	-	-	-	1445	1140	0.70	1238	1080	0.55	965	1020	0.41
1.3	-	-	-	-	-	-	1563	1200	0.83	1313	1140	0.65	1074	1080	0.50	-	-	-
1.4	-	-	-	-	-	-	1439	1200	0.78	1166	1140	0.59	-	-	-	-	-	-
1.5	-	-	-	1516	1260	0.90	1304	1200	0.72	998	1140	0.54	-	-	-	-	-	-
1.6	1588	1320	1.03	1395	1260	0.84	1152	1200	0.66	-	-	-	-	-	-	-	-	-
1.7	1480	1320	0.97	1261	1260	0.78	975	1200	0.60	-	-	-	-	-	-	-	-	-
1.8	1362	1320	0.91	1111	1260	0.71	-	-	-	-	-	-	-	-	-	-	-	-

¹To operate below 0.8" H₂O external static pressure, motor and blower sheave must be changed to VL34 and AK61 respectively, or equivalents.

APPENDIX A BLOWER PERFORMANCE TABLES - HEAT PUMP

DBH036*B STANDARD BELT DRIVE HORIZONTAL																		
ESP, In H₂O	TURNS OPEN																	
	0			1			2			3			4			5		
	CFM	RPM	BHP	CFM	RPM	BHP	CFM	RPM	BHP	CFM	RPM	BHP	CFM	RPM	BHP	CFM	RPM	BHP
0.1	-	-	-	-	-	-	-	-	-	1474	725	0.29	1336	665	0.22	1179	600	0.16
0.2	-	-	-	-	-	-	-	-	-	1353	725	0.26	1199	665	0.19	1018	600	0.13
0.3	-	-	-	-	-	-	1398	790	0.32	1218	725	0.23	1040	665	0.17	-	-	-
0.4	-	-	-	1452	855	0.39	1268	790	0.29	1062	725	0.21	-	-	-	-	-	-
0.5	-	-	-	1328	855	0.36	1119	790	0.26	-	-	-	-	-	-	-	-	-
0.6	1387	915	0.43	1188	855	0.32	941	790	0.22	-	-	-	-	-	-	-	-	-
0.7	1255	915	0.39	1023	855	0.28	-	-	-	-	-	-	-	-	-	-	-	-
0.8	1103	915	0.35	-	-	-	-	-	-	-	-	-	-	-	-	-	-	-

Note: VL34 and AK61 pulleys used on standard static unit.

DBH036*C HIGH STATIC BELT DRIVE HORIZONTAL																		
ESP, In H₂O	TURNS OPEN																	
	0			1			2			3			4			5		
	CFM	RPM	BHP	CFM	RPM	BHP	CFM	RPM	BHP	CFM	RPM	BHP	CFM	RPM	BHP	CFM	RPM	BHP
0.8	-	-	-	-	-	-	-	-	-	-	-	-	-	-	-	1504	1020	0.57
0.9	-	-	-	-	-	-	-	-	-	-	-	-	-	-	-	1378	1020	0.53
1.0	-	-	-	-	-	-	-	-	-	-	-	-	1469	1080	0.63	1236	1020	0.49
1.1	-	-	-	-	-	-	-	-	-	-	-	-	1339	1080	0.59	1067	1020	0.44
1.2	-	-	-	-	-	-	-	-	-	1435	1140	0.70	1191	1080	0.54	-	-	-
1.3	-	-	-	-	-	-	-	-	-	1301	1140	0.64	1011	1080	0.48	-	-	-
1.4	-	-	-	-	-	-	1415	1200	0.77	1145	1140	0.59	-	-	-	-	-	-
1.5	-	-	-	-	-	-	1278	1200	0.71	950	1140	0.52	-	-	-	-	-	-
1.6	-	-	-	1406	1260	0.85	1117	1200	0.65	-	-	-	-	-	-	-	-	-
1.7	-	-	-	1268	1260	0.79	909	1200	0.58	-	-	-	-	-	-	-	-	-
1.8	1410	1320	0.95	1103	1260	0.72	529	1200	0.47	-	-	-	-	-	-	-	-	-

¹To operate below 0.8" H₂O external static pressure, motor and blower sheave must be changed to VL34 and AK61 respectively, or equivalents.

APPENDIX A BLOWER PERFORMANCE TABLES - HEAT PUMP

DBH048*B STANDARD BELT DRIVE DOWNSHOT																		
ESP, In H₂O	TURNS OPEN																	
	0			1			2			3			4			5		
	CFM	RPM	BHP	CFM	RPM	BHP	CFM	RPM	BHP	CFM	RPM	BHP	CFM	RPM	BHP	CFM	RPM	BHP
0.1	-	-	-	-	-	-	-	-	-	1777	810	0.44	1648	755	0.35	1502	695	0.27
0.2	-	-	-	-	-	-	-	-	-	1664	810	0.41	1527	755	0.32	1369	695	0.24
0.3	-	-	-	-	-	-	1707	870	0.48	1544	810	0.37	1396	755	0.29	1225	695	0.22
0.4	-	-	-	1752	930	0.56	1589	870	0.44	1415	810	0.34	1253	755	0.26	-	-	-
0.5	1798	990	0.65	1638	930	0.52	1463	870	0.41	1274	810	0.31	-	-	-	-	-	-
0.6	1689	990	0.61	1517	930	0.48	1327	870	0.37	-	-	-	-	-	-	-	-	-
0.7	1572	990	0.56	1385	930	0.44	-	-	-	-	-	-	-	-	-	-	-	-
0.8	1447	990	0.52	1241	930	0.40	-	-	-	-	-	-	-	-	-	-	-	-

DBH048*C HIGH STATIC BELT DRIVE DOWNSHOT																		
ESP, In H₂O	TURNS OPEN																	
	0			1			2			3			4			5		
	CFM	RPM	BHP	CFM	RPM	BHP	CFM	RPM	BHP	CFM	RPM	BHP	CFM	RPM	BHP	CFM	RPM	BHP
0.6	-	-	-	-	-	-	-	-	-	-	-	-	-	-	-	2003	1075	0.85
0.7	-	-	-	-	-	-	-	-	-	-	-	-	-	-	-	1898	1075	0.81
0.8	-	-	-	-	-	-	-	-	-	-	-	-	1936	1135	0.91	1788	1075	0.76
0.9	-	-	-	-	-	-	-	-	-	1979	1200	1.05	1833	1135	0.86	1671	1075	0.71
1.0	-	-	-	-	-	-	-	-	-	1884	1200	0.99	1724	1135	0.81	1545	1075	0.66
1.1	-	-	-	-	-	-	-	-	-	1784	1200	0.94	1608	1135	0.76	1408	1075	0.61
1.2	-	-	-	-	-	-	1923	1265	1.13	1677	1200	0.89	1482	1135	0.71	1257	1075	0.56
1.3	-	-	-	1966	1325	1.26	1823	1265	1.07	1563	1200	0.83	1344	1135	0.66	-	-	-
1.4	-	-	-	1874	1325	1.21	1716	1265	1.01	1439	1200	0.78	-	-	-	-	-	-
1.5	1942	1390	1.37	1777	1325	1.15	1602	1265	0.95	1304	1200	0.72	-	-	-	-	-	-
1.6	1854	1390	1.32	1673	1325	1.09	1479	1265	0.89	-	-	-	-	-	-	-	-	-
1.7	1762	1390	1.25	1563	1325	1.02	1344	1265	0.83	-	-	-	-	-	-	-	-	-
1.8	1664	1390	1.19	1443	1325	0.96	-	-	-	-	-	-	-	-	-	-	-	-

¹To operate below 0.6" H₂O external static pressure, motor and blower sheave must be changed to VL40 and AK66 respectively, or equivalents.

APPENDIX A BLOWER PERFORMANCE TABLES - HEAT PUMP

DBH048*B STANDARD BELT DRIVE HORIZONTAL																		
ESP, In H ₂ O	TURNS OPEN																	
	0			1			2			3			4			5		
	CFM	RPM	BHP	CFM	RPM	BHP	CFM	RPM	BHP	CFM	RPM	BHP	CFM	RPM	BHP	CFM	RPM	BHP
0.1	-	-	-	-	-	-	-	-	-	1733	810	0.43	1610	755	0.34	1466	695	0.26
0.2	-	-	-	-	-	-	1770	870	0.50	1625	810	0.40	1491	755	0.31	1332	695	0.24
0.3	-	-	-	-	-	-	1665	870	0.46	1508	810	0.36	1359	755	0.28	-	-	-
0.4	-	-	-	1723	930	0.55	1552	870	0.43	1379	810	0.33	1211	755	0.25	-	-	-
0.5	1782	990	0.64	1613	930	0.51	1427	870	0.40	1234	810	0.30	-	-	-	-	-	-
0.6	1676	990	0.60	1493	930	0.47	1288	870	0.36	-	-	-	-	-	-	-	-	-
0.7	1562	990	0.56	1361	930	0.43	-	-	-	-	-	-	-	-	-	-	-	-
0.8	1437	990	0.52	1210	930	0.39	-	-	-	-	-	-	-	-	-	-	-	-

DBH048*C HIGH STATIC BELT DRIVE HORIZONTAL																		
ESP, In H ₂ O	TURNS OPEN																	
	0			1			2			3			4			5		
	CFM	RPM	BHP	CFM	RPM	BHP	CFM	RPM	BHP	CFM	RPM	BHP	CFM	RPM	BHP	CFM	RPM	BHP
0.6	-	-	-	-	-	-	-	-	-	-	-	-	-	-	-	1885	1075	0.80
0.7	-	-	-	-	-	-	-	-	-	-	-	-	1955	1135	0.92	1791	1075	0.76
0.8	-	-	-	-	-	-	-	-	-	-	-	-	1865	1135	0.88	1691	1075	0.72
0.9	-	-	-	-	-	-	-	-	-	1948	1200	1.03	1770	1135	0.83	1582	1075	0.67
1.0	-	-	-	-	-	-	-	-	-	1859	1200	0.98	1668	1135	0.79	1464	1075	0.63
1.1	-	-	-	-	-	-	1964	1265	1.15	1764	1200	0.93	1558	1135	0.74	1331	1075	0.58
1.2	-	-	-	-	-	-	1876	1265	1.10	1662	1200	0.88	1436	1135	0.69	-	-	-
1.3	-	-	-	1960	1325	1.26	1782	1265	1.05	1551	1200	0.83	1299	1135	0.64	-	-	-
1.4	-	-	-	1873	1325	1.21	1682	1265	1.00	1429	1200	0.78	-	-	-	-	-	-
1.5	1986	1390	1.41	1780	1325	1.15	1573	1265	0.94	1291	1200	0.72	-	-	-	-	-	-
1.6	1901	1390	1.35	1681	1325	1.10	1453	1265	0.88	-	-	-	-	-	-	-	-	-
1.7	1810	1390	1.29	1573	1325	1.04	1318	1265	0.82	-	-	-	-	-	-	-	-	-
1.8	1714	1390	1.23	1453	1325	0.98	-	-	-	-	-	-	-	-	-	-	-	-

¹To operate below 0.6" H₂O external static pressure, motor and blower sheave must be changed to VL40 and AK66 respectively, or equivalents.

APPENDIX A BLOWER PERFORMANCE TABLES - HEAT PUMP

DBH060*B STANDARD BELT DRIVE DOWNSHOT																		
ESP, In H₂O	TURNS OPEN																	
	0			1			2			3			4			5		
	CFM	RPM	BHP	CFM	RPM	BHP	CFM	RPM	BHP	CFM	RPM	BHP	CFM	RPM	BHP	CFM	RPM	BHP
0.1	-	-	-	2264	1045	0.93	2147	990	0.79	2022	930	0.66	1894	870	0.54	1761	810	0.43
0.2	-	-	-	2188	1045	0.90	2065	990	0.76	1934	930	0.62	1797	870	0.51	1655	810	0.40
0.3	2234	1105	1.02	2109	1045	0.86	1979	990	0.72	1840	930	0.59	1694	870	0.47	1539	810	0.37
0.4	2158	1105	0.98	2026	1045	0.82	1889	990	0.68	1740	930	0.55	1582	870	0.44	-	-	-
0.5	2078	1105	0.94	1939	1045	0.78	1793	990	0.65	1633	930	0.52	-	-	-	-	-	-
0.6	1994	1105	0.90	1846	1045	0.74	1690	990	0.61	1516	930	0.48	-	-	-	-	-	-
0.7	1905	1105	0.85	1748	1045	0.70	1579	990	0.57	-	-	-	-	-	-	-	-	-
0.8	1811	1105	0.81	1642	1045	0.66	-	-	-	-	-	-	-	-	-	-	-	-

DBH060*C HIGH STATIC BELT DRIVE DOWNSHOT																		
ESP, In H₂O	TURNS OPEN																	
	0			1			2			3			4			5		
	CFM	RPM	BHP	CFM	RPM	BHP	CFM	RPM	BHP	CFM	RPM	BHP	CFM	RPM	BHP	CFM	RPM	BHP
0.6	-	-	-	-	-	-	2397	1310	1.53	2278	1245	1.31	2145	1180	1.10	2003	1115	0.92
0.7	-	-	-	-	-	-	2334	1310	1.48	2208	1245	1.26	2068	1180	1.06	1917	1115	0.88
0.8	-	-	-	-	-	-	2268	1310	1.44	2135	1245	1.22	1986	1180	1.02	1825	1115	0.83
0.9	-	-	-	-	-	-	2199	1310	1.39	2059	1245	1.17	1901	1180	0.97	1728	1115	0.79
1.0	-	-	-	-	-	-	2128	1310	1.34	1980	1245	1.12	1810	1180	0.92	1623	1115	0.74
1.1	-	-	-	2203	1375	1.53	2053	1310	1.29	1896	1245	1.08	1713	1180	0.88	1508	1115	0.69
1.2	-	-	-	2134	1375	1.48	1975	1310	1.24	1807	1245	1.03	1609	1180	0.83	-	-	-
1.3	-	-	-	2061	1375	1.43	1893	1310	1.19	1712	1245	0.98	-	-	-	-	-	-
1.4	-	-	-	1985	1375	1.38	1806	1310	1.14	1610	1245	0.92	-	-	-	-	-	-
1.5	-	-	-	1905	1375	1.32	1714	1310	1.09	-	-	-	-	-	-	-	-	-
1.6	2010	1440	1.53	1820	1375	1.27	1614	1310	1.03	-	-	-	-	-	-	-	-	-
1.7	1933	1440	1.47	1730	1375	1.21	1505	1310	0.97	-	-	-	-	-	-	-	-	-
1.8	1852	1440	1.42	1633	1375	1.15	-	-	-	-	-	-	-	-	-	-	-	-

¹To operate below 0.6" H₂O external static pressure, motor and blower sheave must be changed to VL44 and AK66 respectively, or equivalents.

APPENDIX A BLOWER PERFORMANCE TABLES - HEAT PUMP

DBH060*B STANDARD BELT DRIVE HORIZONTAL																		
ESP, In H₂O	TURNS OPEN																	
	0			1			2			3			4			5		
	CFM	RPM	BHP	CFM	RPM	BHP	CFM	RPM	BHP	CFM	RPM	BHP	CFM	RPM	BHP	CFM	RPM	BHP
0.1	-	-	-	2248	1045	0.93	2131	990	0.79	2009	930	0.65	1882	870	0.54	1751	810	0.43
0.2	-	-	-	2172	1045	0.89	2051	990	0.75	1921	930	0.62	1786	870	0.50	1645	810	0.40
0.3	-	-	-	2094	1045	0.85	1966	990	0.72	1828	930	0.59	1684	870	0.47	1531	810	0.37
0.4	2142	1105	0.97	2012	1045	0.81	1876	990	0.68	1730	930	0.55	1574	870	0.44	-	-	-
0.5	2063	1105	0.93	1926	1045	0.78	1781	990	0.64	1624	930	0.51	-	-	-	-	-	-
0.6	1980	1105	0.89	1834	1045	0.74	1680	990	0.60	1508	930	0.48	-	-	-	-	-	-
0.7	1892	1105	0.85	1737	1045	0.69	1570	990	0.56	-	-	-	-	-	-	-	-	-
0.8	1799	1105	0.80	1632	1045	0.65	-	-	-	-	-	-	-	-	-	-	-	-

DBH060*C HIGH STATIC BELT DRIVE HORIZONTAL																		
ESP, In H₂O	TURNS OPEN																	
	0			1			2			3			4			5		
	CFM	RPM	BHP	CFM	RPM	BHP	CFM	RPM	BHP	CFM	RPM	BHP	CFM	RPM	BHP	CFM	RPM	BHP
0.6	-	-	-	-	-	-	2421	1310	1.55	2297	1245	1.32	2161	1180	1.11	2016	1115	0.92
0.7	-	-	-	-	-	-	2357	1310	1.50	2227	1245	1.27	2083	1180	1.07	1930	1115	0.88
0.8	-	-	-	-	-	-	2291	1310	1.45	2154	1245	1.23	2002	1180	1.02	1839	1115	0.84
0.9	-	-	-	-	-	-	2222	1310	1.40	2078	1245	1.18	1917	1180	0.98	1741	1115	0.79
1.0	-	-	-	-	-	-	2150	1310	1.36	1999	1245	1.13	1826	1180	0.93	1637	1115	0.75
1.1	-	-	-	-	-	-	2076	1310	1.31	1915	1245	1.09	1730	1180	0.88	1522	1115	0.70
1.2	-	-	-	2167	1375	1.50	1998	1310	1.26	1826	1245	1.04	1626	1180	0.83	-	-	-
1.3	-	-	-	2094	1375	1.45	1916	1310	1.21	1731	1245	0.99	1512	1180	0.78	-	-	-
1.4	-	-	-	2018	1375	1.40	1829	1310	1.15	1629	1245	0.93	-	-	-	-	-	-
1.5	-	-	-	1937	1375	1.34	1736	1310	1.10	1518	1245	0.88	-	-	-	-	-	-
1.6	-	-	-	1852	1375	1.29	1636	1310	1.04	-	-	-	-	-	-	-	-	-
1.7	1976	1440	1.51	1761	1375	1.23	1527	1310	0.99	-	-	-	-	-	-	-	-	-
1.8	1894	1440	1.45	1664	1375	1.17	-	-	-	-	-	-	-	-	-	-	-	-

¹To operate below 0.6" H₂O external static pressure, motor and blower sheave must be changed to VL44 and AK66 respectively, or equivalents.

APPENDIX B ELECTRICAL DATA

MODEL NUMBER	ELECTRICAL RATING	COMPRESSOR			OUTDOOR FAN MOTOR			INDOOR FAN MOTOR			OPTIONAL ELECTRIC HEAT			OPTIONAL POWERED CONVENIENCE OUTLET	OPTIONAL POWER EXHAUST	POWER SUPPLY		
		QTY	RLA	LRA	QTY	HP	FLA	TYPE	HP	FLA	PART #	KW*	FLA	FLA	FLA	MCA	MOP	
DBC0363B	208/230/3/60	1	10.45	73	1	0.17	0.95	Belt Drive Standard Static	1	3.4	-	-	-	-	-	17.4/17.4	25/25	
											-	-	-	9.6/8.7	-	27.0/26.1	35/35	
											-	-	-	-	-	1.7/1.5	19.1/18.9	25/25
											-	-	-	9.6/8.7	1.7/1.5	28.7/27.6	35/35	
											-	-	-	-	-	1.7/1.5	17.4/19.3	25/25
											EH*B-3S05	3.76/5.00	10.4/12.0	9.6/8.7	-	29.3/30.2	35/35	
														-	1.7/1.5	19.4/21.2	25/25	
														9.6/8.7	1.7/1.5	31.4/32.0	35/35	
											EH*B-3S10	7.51/10.0	20.8/24.1	-	-	30.3/34.3	35/35	
														9.6/8.7	-	42.3/45.2	45/50	
														-	1.7/1.5	32.4/36.2	35/40	
											EH*B-3S15	11.3/15.0	31.3/36.1	9.6/8.7	1.7/1.5	44.4/47.1	45/50	
														-	-	43.3/49.4	45/50	
														9.6/8.7	-	55.3/60.2	60/70	
											DBC0363C	208/230/3/60	1	10.45	73	1	0.17	0.95
-	-	-	9.6/8.7	-	27.0/26.1	35/35												
-	-	-	-	-	1.7/1.5	19.1/18.9	25/25											
-	-	-	9.6/8.7	1.7/1.5	28.7/27.6	35/35												
-	-	-	-	-	1.7/1.5	17.4/19.3	25/25											
EH*B-3S05	3.76/5.00	10.4/12.0	9.6/8.7	-	29.3/30.2	35/35												
			-	1.7/1.5	19.4/21.2	25/25												
			9.6/8.7	1.7/1.5	31.4/32.0	35/35												
EH*B-3S10	7.51/10.0	20.8/24.1	-	-	30.3/34.3	35/35												
			9.6/8.7	-	42.3/45.2	45/50												
			-	1.7/1.5	32.4/36.2	35/40												
EH*B-3S15	11.3/15.0	31.3/36.1	9.6/8.7	1.7/1.5	44.4/47.1	45/50												
			-	-	43.3/49.4	45/50												
			9.6/8.7	-	55.3/60.2	60/70												
DBC0364B	460/3/60	1	5.77	38	1	0.17	0.48	Belt Drive Standard Static	1	1.7								
											-	-	-	4.3	-	13.7	15	
											-	-	-	-	-	0.5	9.89	15
											-	-	-	4.3	0.5	14.2	15	
											-	-	-	-	-	0.5	9.64	15
											EH*B-4S05	5	6.01	4.3	-	15	20	
														-	0.5	10.3	15	
														4.3	0.5	15.6	20	
											EH*B-4S10	10	12	-	-	17.2	20	
														4.3	-	22.5	25	
														-	0.5	17.8	20	
											EH*B-4S15	15	18	4.3	0.5	23.2	25	
														-	-	24.7	25	
														4.3	-	30.1	35	
											DBC0364C	460/3/60	1	5.77	38	1	0.17	0.48
-	-	-	4.3	-	13.7	15												
-	-	-	-	-	0.5	9.89	15											
-	-	-	4.3	0.5	14.2	15												
-	-	-	-	-	0.5	9.64	15											
EH*B-4S05	5	6.01	4.3	-	15	20												
			-	0.5	10.3	15												
			4.3	0.5	15.6	20												
EH*B-4S10	10	12	-	-	17.2	20												
			4.3	-	22.5	25												
			-	0.5	17.8	20												
EH*B-4S15	15	18	4.3	0.5	23.2	25												
			-	-	24.7	25												
			4.3	-	30.1	35												

APPENDIX B ELECTRICAL DATA

MODEL NUMBER	ELECTRICAL RATING	COMPRESSOR			OUTDOOR FAN MOTOR			INDOOR FAN MOTOR			OPTIONAL ELECTRIC HEAT			OPTIONAL POWERED CONVENIENCE OUTLET	OPTIONAL POWER EXHAUST	POWER SUPPLY	
		QTY	RLA	LRA	QTY	HP	FLA	TYPE	HP	FLA	PART #	KW*	FLA	FLA	FLA	MCA	MOP
DBC0367B	575/3/60	1	3.78	36.5	1	0.17	0.39	Belt Drive Standard Static	1.5	2.3	-	-	-	-	-	7.42	15
											-	-	-	3.5	-	10.9	15
											-	-	-	-	0.6	8.02	15
											-	-	-	3.5	0.6	11.5	15
											-	-	-	-	-	8.89	15
											EH*B-7S05	5	4.81	3.5	-	13.3	15
														-	0.6	9.64	15
														3.5	0.6	14	15
											-	-	-	-	-	14.9	15
											EH*B-7S10	10	9.62	3.5	-	19.3	20
														-	0.6	15.7	20
														3.5	0.6	20	25
											-	-	-	-	-	20.9	25
											EH*B-7S15	15	14.4	3.5	-	25.3	30
														-	0.6	21.7	25
3.5	0.6	26	30														
DBC0367C	575/3/60	1	3.78	36.5	1	0.17	0.39	Belt Drive High Static	1.5	2.3	-	-	-	-	-	7.42	15
											-	-	-	3.5	-	10.9	15
											-	-	-	-	0.6	8.02	15
											-	-	-	3.5	0.6	11.5	15
											-	-	-	-	-	8.89	15
											EH*B-7S05	5	4.81	3.5	-	13.3	15
														-	0.6	9.64	15
														3.5	0.6	14	15
											-	-	-	-	-	14.9	15
											EH*B-7S10	10	9.62	3.5	-	19.3	20
														-	0.6	15.7	20
														3.5	0.6	20	25
											-	-	-	-	-	20.9	25
											EH*B-7S15	15	14.4	3.5	-	25.3	30
														-	0.6	21.7	25
3.5	0.6	26	30														
DBC0483B	208/230/3/60	1	13.14	83.1	1	0.25	1.4	Belt Drive Standard Static	1	3.4	-	-	-	-	-	21.2/21.2	30/30
											-	-	-	9.6/8.7	-	30.8/29.9	40/40
											-	-	-	-	1.7/1.5	22.9/22.7	30/30
											-	-	-	9.6/8.7	1.7/1.5	32.5/31.4	40/40
											-	-	-	-	-	21.2/21.2	30/30
											EH*B-3S05	3.76/5.00	10.4/12.0	9.6/8.7	-	30.8/30.2	40/40
														-	1.7/1.5	22.9/22.7	30/30
														9.6/8.7	1.7/1.5	32.5/32.0	40/40
											-	-	-	-	-	30.3/34.3	35/35
											EH*B-3S10	7.51/10.0	20.8/24.1	9.6/8.7	-	42.3/45.2	45/50
														-	1.7/1.5	32.4/36.2	35/40
														9.6/8.7	1.7/1.5	44.4/47.1	45/50
											-	-	-	-	-	43.3/49.4	45/50
											EH*B-3S15	11.3/15.0	31.3/36.1	9.6/8.7	-	55.3/60.2	60/70
														-	1.7/1.5	45.5/51.2	50/60
														9.6/8.7	1.7/1.5	57.5/62.1	60/70
											-	-	-	-	-	51.2/58.4	60/60
											EH*B-3S18	13.5/18.0	37.5/43.3	9.6/8.7	-	63.2/69.3	70/70
														-	1.7/1.5	53.3/60.3	60/70
														9.6/8.7	1.7/1.5	65.3/71.1	70/80
											-	-	-	-	-	56.1/64.1	60/70
											EH*B-3S20	15.0/19.9	41.5/47.9	9.6/8.7	-	68.1/75.0	70/80
														-	1.7/1.5	58.2/66.0	60/70
														9.6/8.7	1.7/1.5	70.2/76.8	80/80

APPENDIX B ELECTRICAL DATA

MODEL NUMBER	ELECTRICAL RATING	COMPRESSOR			OUTDOOR FAN MOTOR			INDOOR FAN MOTOR			OPTIONAL ELECTRIC HEAT			OPTIONAL POWERED CONVENIENCE OUTLET	OPTIONAL POWER EXHAUST	POWER SUPPLY			
		QTY	RLA	LRA	QTY	HP	FLA	TYPE	HP	FLA	PART #	KW*	FLA	FLA	FLA	MCA	MOP		
DBC0483C	208/230/3/60	1	13.14	83.1	1	0.25	1.4	Belt Drive High Static	1.5	4.8	-	-	-	-	-	22.6/22.6	35/35		
											-	-	-	9.6/8.7	-	-	32.2/31.3	45/40	
											-	-	-	-	-	-	1.7/1.5	24.3/24.1	35/35
											-	-	-	9.6/8.7	1.7/1.5	33.9/32.8	45/40		
											-	-	-	-	-	-	22.6/22.6	35/35	
											EH*B-3S05	3.76/5.00	10.4/12.0	9.6/8.7	-	32.2/31.9	45/40		
														-	1.7/1.5	24.3/24.1	35/35		
											-	-	-	9.6/8.7	1.7/1.5	33.9/33.8	45/40		
											-	-	-	-	-	-	32.1/36.1	35/40	
											EH*B-3S10	7.51/10.0	20.8/24.1	9.6/8.7	-	44.1/46.9	45/50		
														-	1.7/1.5	34.2/37.9	35/40		
														9.6/8.7	1.7/1.5	46.2/48.8	50/50		
											-	-	-	-	-	-	45.1/51.1	50/60	
											EH*B-3S15	11.3/15.0	31.3/36.1	9.6/8.7	-	57.1/62.0	60/70		
														-	1.7/1.5	47.2/53.0	50/60		
														9.6/8.7	1.7/1.5	59.2/63.9	60/70		
											-	-	-	-	-	-	52.9/60.1	60/70	
											EH*B-3S18	13.5/18.0	37.5/43.3	9.6/8.7	-	64.9/71.0	70/80		
														-	1.7/1.5	55.0/62.0	60/70		
														9.6/8.7	1.7/1.5	67.0/72.9	70/80		
-	-	-	-	-	-	57.9/65.8	60/70												
EH*B-3S20	15.0/19.9	41.5/47.9	9.6/8.7	-	69.9/76.7	70/80													
			-	1.7/1.5	60.0/67.7	60/70													
			9.6/8.7	1.7/1.5	72.0/78.6	80/80													
DBC0484B	460/3/60	1	6.09	41	1	0.25	0.7	Belt Drive Standard Static	1	1.7	-	-	-	-	-	10	15		
											-	-	-	4.3	-	14.3	20		
											-	-	-	-	0.5	10.5	15		
											-	-	-	4.3	0.5	14.8	20		
											-	-	-	-	-	10	15		
											EH*B-4S05	5	6.01	4.3	-	15	20		
														-	0.5	10.5	15		
														4.3	0.5	15.6	20		
											-	-	-	-	-	17.2	20		
											EH*B-4S10	10	12	4.3	-	22.5	25		
														-	0.5	17.8	20		
														4.3	0.5	23.2	25		
											-	-	-	-	-	24.7	25		
											EH*B-4S15	15	18	4.3	-	30.1	35		
														-	0.5	25.3	30		
														4.3	0.5	30.7	35		
											-	-	-	-	-	29.2	30		
											EH*B-4S18	18	21.7	4.3	-	34.6	35		
														-	0.5	29.8	30		
														4.3	0.5	35.2	40		
-	-	-	-	-	32.2	35													
EH*B-4S20	20	24.1	4.3	-	37.6	40													
			-	0.5	32.8	35													
			4.3	0.5	38.2	40													

APPENDIX B ELECTRICAL DATA

MODEL NUMBER	ELECTRICAL RATING	COMPRESSOR			OUTDOOR FAN MOTOR			INDOOR FAN MOTOR			OPTIONAL ELECTRIC HEAT			OPTIONAL POWERED CONVENIENCE OUTLET	OPTIONAL POWER EXHAUST	POWER SUPPLY												
		QTY	RLA	LRA	QTY	HP	FLA	TYPE	HP	FLA	PART #	KW*	FLA	FLA	FLA	MCA	MOP											
DBC0484C	460/3/60	1	6.09	41	1	0.25	0.7	Belt Drive High Static	1.5	2.4	-	-	-	-	-	10.7	15											
											-	-	-	4.3	-	15	20											
											-	-	-	-	0.5	11.2	15											
											-	-	-	4.3	0.5	15.5	20											
											EH*B-4S05	5	6.01	-	-	10.7	15											
														4.3	-	15.9	20											
														-	0.5	11.2	15											
											EH*B-4S10	10	12	4.3	-	18	20											
														-	0.5	23.4	25											
														4.3	0.5	18.7	20											
											EH*B-4S15	15	18	4.3	-	24	25											
														-	-	25.6	30											
														4.3	0.5	30.9	35											
											EH*B-4S18	18	21.7	-	-	26.2	30											
														4.3	0.5	31.6	35											
														-	-	30.1	35											
											EH*B-4S20	20	24.1	4.3	-	35.4	40											
														-	0.5	30.7	35											
														4.3	0.5	36.1	40											
											DBC0487B	575/3/60	1	4.36	33	1	0.25	0.55	Belt Drive Standard Static	1.5	2.3	-	-	-	-	-	8.3	15
																						-	-	-	3.5	-	11.8	15
																						-	-	-	-	0.6	8.9	15
																						-	-	-	3.5	0.6	12.4	15
																						EH*B-7S05	5	4.81	-	-	8.89	15
3.5	-	13.3	15																									
-	0.6	9.64	15																									
EH*B-7S10	10	9.62	3.5	0.6	14	15																						
			-	-	14.9	15																						
			3.5	-	19.3	20																						
EH*B-7S15	15	14.4	-	-	15.7	20																						
			3.5	0.6	20	25																						
			-	-	20.9	25																						
EH*B-7S18	18	17.3	3.5	-	25.3	30																						
			-	0.6	21.7	25																						
			3.5	0.6	26	30																						
EH*B-7S20	20	19.2	-	-	24.5	25																						
			3.5	-	28.9	30																						
			-	0.6	25.3	30																						
-	-	29.7	30																									
-	-	26.9	30																									
3.5	-	31.3	35																									
-	0.6	27.7	30																									
3.5	0.6	32.1	35																									

APPENDIX B ELECTRICAL DATA

MODEL NUMBER	ELECTRICAL RATING	COMPRESSOR			OUTDOOR FAN MOTOR			INDOOR FAN MOTOR			OPTIONAL ELECTRIC HEAT			OPTIONAL POWERED CONVENIENCE OUTLET	OPTIONAL POWER EXHAUST	POWER SUPPLY	
		QTY	RLA	LRA	QTY	HP	FLA	TYPE	HP	FLA	PART #	KW*	FLA	FLA	FLA	MCA	MOP
DBC0487C	575/3/60	1	4.36	33	1	0.25	0.55	Belt Drive High Static	1.5	2.3	-	-	-	-	-	8.3	15
											-	-	-	3.5	-	11.8	15
											-	-	-	-	0.6	8.9	15
											-	-	-	3.5	0.6	12.4	15
											-	-	-	-	-	8.89	15
											EH*B-7S05	5	4.81	3.5	-	13.3	15
														-	0.6	9.64	15
											-	-	-	3.5	0.6	14	15
											-	-	-	-	-	14.9	15
											EH*B-7S10	10	9.62	3.5	-	19.3	20
														-	0.6	15.7	20
														3.5	0.6	20	25
											-	-	-	-	-	20.9	25
											EH*B-7S15	15	14.4	3.5	-	25.3	30
														-	0.6	21.7	25
														3.5	0.6	26	30
											-	-	-	-	-	24.5	25
											EH*B-7S18	18	17.3	3.5	-	28.9	30
														-	0.6	25.3	30
														3.5	0.6	29.7	30
-	-	-	-	-	26.9	30											
EH*B-7S20	20	19.2	3.5	-	31.3	35											
			-	0.6	27.7	30											
			3.5	0.6	32.1	35											
DBC0603B	208/230/3/60	1	15.90	110	1	0.33	2	Belt Drive Standard Static	1	3.2	-	-	-	-	-	25.1/25.1	40/40
											-	-	-	9.6/8.7	-	34.7/33.8	50/45
											-	-	-	-	1.7/1.5	26.8/26.6	40/40
											-	-	-	9.6/8.7	1.7/1.5	36.4/35.3	50/45
											-	-	-	-	-	25.1/25.1	40/40
											EH*B-3S05	3.76/5.00	10.4/12.0	9.6/8.7	-	34.7/33.8	50/45
														-	1.7/1.5	26.8/26.6	40/40
														9.6/8.7	1.7/1.5	36.4/35.3	50/45
											-	-	-	-	-	30.1/34.1	40/40
											EH*B-3S10	7.51/10.0	20.8/24.1	9.6/8.7	-	42.1/44.9	50/45
														-	1.7/1.5	32.2/35.9	40/40
														9.6/8.7	1.7/1.5	44.2/46.8	50/50
											-	-	-	-	-	43.1/49.1	45/50
											EH*B-3S15	11.3/15.0	31.3/36.1	9.6/8.7	-	55.1/60.0	60/60
														-	1.7/1.5	45.2/51.0	50/60
														9.6/8.7	1.7/1.5	57.2/61.9	60/70
											-	-	-	-	-	50.9/58.1	60/60
											EH*B-3S18	13.5/18.0	37.5/43.3	9.6/8.7	-	62.9/69.0	70/70
														-	1.7/1.5	53.0/60.0	60/70
														9.6/8.7	1.7/1.5	65.0/70.9	70/80
-	-	-	-	-	55.9/63.8	60/70											
EH*B-3S20	15.0/19.9	41.5/47.9	9.6/8.7	-	67.9/74.7	70/80											
			-	1.7/1.5	58.0/65.7	60/70											
			9.6/8.7	1.7/1.5	70.0/76.6	70/80											

APPENDIX B ELECTRICAL DATA

MODEL NUMBER	ELECTRICAL RATING	COMPRESSOR			OUTDOOR FAN MOTOR			INDOOR FAN MOTOR			OPTIONAL ELECTRIC HEAT			OPTIONAL POWERED CONVENIENCE OUTLET	OPTIONAL POWER EXHAUST	POWER SUPPLY		
		QTY	RLA	LRA	QTY	HP	FLA	TYPE	HP	FLA	PART #	KW*	FLA	FLA	FLA	MCA	MOP	
DBC0603C	208/230/3/60	1	15.90	110	1	0.33	2	Belt Drive High Static	1.5	4.8	-	-	-	-	-	26.7/26.7	40/40	
											-	-	-	9.6/8.7	-	36.3/35.4	50/50	
											-	-	-	-	-	1.7/1.5	28.4/28.2	40/40
											-	-	-	9.6/8.7	1.7/1.5	38.0/36.9	50/50	
											-	-	-	-	-	26.7/26.7	40/40	
											EH*B-3S05	3.76/5.00	10.4/12.0	9.6/8.7	-	36.3/35.4	50/50	
														-	1.7/1.5	28.4/28.2	40/40	
														9.6/8.7	1.7/1.5	38.0/36.9	50/50	
											EH*B-3S10	7.51/10.0	20.8/24.1	-	-	32.1/36.1	40/40	
														9.6/8.7	-	44.1/46.9	50/50	
														-	1.7/1.5	34.2/37.9	40/40	
											EH*B-3S15	11.3/15.0	31.3/36.1	9.6/8.7	1.7/1.5	46.2/48.8	50/50	
														-	-	45.1/51.1	50/60	
														9.6/8.7	-	57.1/62.0	60/70	
											EH*B-3S18	13.5/18.0	37.5/43.3	-	-	52.9/60.1	60/70	
														9.6/8.7	-	64.9/71.0	70/80	
														-	1.7/1.5	55.0/62.0	60/70	
											EH*B-3S20	15.0/19.9	41.5/47.9	9.6/8.7	1.7/1.5	60.0/67.7	60/70	
														-	-	57.9/65.8	60/70	
														9.6/8.7	1.7/1.5	72.0/78.6	80/80	
DBC0604B	460/3/60	1	7.05	52	1	0.33	0.85	Belt Drive Standard Static	1	1.5	-	-	-	-	-	11.2	15	
											-	-	-	4.3	-	15.5	20	
											-	-	-	-	0.5	11.7	15	
											-	-	-	4.3	0.5	16	20	
											-	-	-	-	-	11.2	15	
											EH*B-4S05	5	6.01	4.3	-	15.5	20	
														-	0.5	11.7	15	
														4.3	0.5	16	20	
											EH*B-4S10	10	12	-	-	16.9	20	
														4.3	-	22.3	25	
														-	0.5	17.5	20	
											EH*B-4S15	15	18	4.3	0.5	22.9	25	
														-	-	24.4	25	
														4.3	-	29.8	30	
											EH*B-4S18	18	21.7	-	0.5	25.1	30	
														4.3	0.5	30.4	35	
														-	-	28.9	30	
											EH*B-4S20	20	24.1	4.3	-	34.3	35	
														-	0.5	29.6	30	
														4.3	0.5	34.9	35	
-	-	31.9	35															
4.3	-	37.3	40															
-	0.5	32.6	35															
4.3	0.5	37.9	40															

APPENDIX B ELECTRICAL DATA

MODEL NUMBER	ELECTRICAL RATING	COMPRESSOR			OUTDOOR FAN MOTOR			INDOOR FAN MOTOR			OPTIONAL ELECTRIC HEAT			OPTIONAL POWERED CONVENIENCE OUTLET	OPTIONAL POWER EXHAUST	POWER SUPPLY	
		QTY	RLA	LRA	QTY	HP	FLA	TYPE	HP	FLA	PART #	KW*	FLA	FLA	FLA	MCA	MOP
DBC0604C	460/3/60	1	7.05	52	1	0.33	0.85	Belt Drive High Static	1.5	2.4	-	-	-	-	-	12.1	15
											-	-	-	4.3	-	16.4	20
											-	-	-	-	0.5	12.6	15
											-	-	-	4.3	0.5	16.9	20
											EH*B-4S05	5	6.01	-	-	12.1	15
														4.3	-	16.4	20
														-	0.5	12.6	15
														4.3	0.5	16.9	20
														-	-	18	20
														4.3	-	23.4	25
											EH*B-4S10	10	12	-	-	18.7	20
														4.3	0.5	24	25
														-	-	25.6	30
											EH*B-4S15	15	18	4.3	-	30.9	35
														-	0.5	26.2	30
														4.3	0.5	31.6	35
														-	-	30.1	35
											EH*B-4S18	18	21.7	4.3	-	35.4	40
														-	0.5	30.7	35
														4.3	0.5	36.1	40
											EH*B-4S20	20	24.1	-	-	33.1	35
														4.3	-	38.4	40
														-	0.5	33.7	35
														4.3	0.5	39.1	40
DBC0607B	575/3/60	1	5.13	39.5	1	0.33	0.67	Belt Drive Standard Static	1	1.2	-	-	-	-	-	8.28	15
											-	-	-	3.5	-	11.8	15
											-	-	-	-	0.6	8.88	15
											-	-	-	3.5	0.6	12.4	15
											EH*B-7S05	5	4.81	-	-	8.28	15
														3.5	-	11.9	15
														-	0.6	8.88	15
														3.5	0.6	12.6	15
														-	-	13.5	15
											EH*B-7S10	10	9.62	3.5	-	17.9	20
														-	0.6	14.3	15
														3.5	0.6	18.7	20
														-	-	19.5	20
											EH*B-7S15	15	14.4	3.5	-	23.9	25
														-	0.6	20.3	25
														3.5	0.6	24.7	25
											EH*B-7S18	18	17.3	-	-	23.2	25
														3.5	-	27.5	30
														-	0.6	23.9	25
											EH*B-7S20	20	19.2	3.5	0.6	28.3	30
														-	-	25.6	30
														3.5	-	29.9	30
														-	0.6	26.3	30
											-	-	30.7	35			

APPENDIX B ELECTRICAL DATA

MODEL NUMBER	ELECTRICAL RATING	COMPRESSOR			OUTDOOR FAN MOTOR			INDOOR FAN MOTOR			OPTIONAL ELECTRIC HEAT			OPTIONAL POWERED CONVENIENCE OUTLET	OPTIONAL POWER EXHAUST	POWER SUPPLY	
		QTY	RLA	LRA	QTY	HP	FLA	TYPE	HP	FLA	PART #	KW*	FLA	FLA	FLA	MCA	MOP
DBC0607C	575/3/60	1	5.13	39.5	1	0.33	0.67	Belt Drive High Static	1.5	2.3	-	-	-	-	-	9.38	15
											-	-	-	3.5	-	12.9	15
											-	-	-	-	0.6	9.98	15
											-	-	-	3.5	0.6	13.5	15
											-	-	-	-	-	9.38	15
											EH*B-7S05	5	4.81	3.5	-	13.3	15
														-	0.6	9.98	15
														3.5	0.6	14	15
											-	-	-	-	-	14.9	15
											EH*B-7S10	10	9.62	3.5	-	19.3	20
														-	0.6	15.7	20
														3.5	0.6	20	25
											-	-	-	-	-	20.9	25
											EH*B-7S15	15	14.4	3.5	-	25.3	30
														-	0.6	21.7	25
														3.5	0.6	26	30
											-	-	-	-	-	24.5	25
											EH*B-7S18	18	17.3	3.5	-	28.9	30
														-	0.6	25.3	30
														3.5	0.6	29.7	30
-	-	-	-	-	26.9	30											
EH*B-7S20	20	19.2	3.5	-	31.3	35											
			-	0.6	27.7	30											
			3.5	0.6	32.1	35											
-	-	-	-	-	30.0/30.0	45/45											
-	-	-	9.6/8.7	-	39.6/38.7	50/50											
-	-	-	-	1.7/1.5	31.7/31.5	45/45											
-	-	-	9.6/8.7	1.7/1.5	41.3/40.2	50/50											
-	-	-	-	-	30.0/30.0	45/45											
EH*B-3S05	3.76/5.00	10.4/12.0	9.6/8.7	-	39.6/38.7	50/50											
			-	1.7/1.5	31.7/31.5	45/45											
			9.6/8.7	1.7/1.5	41.3/40.2	50/50											
-	-	-	-	-	33.6/37.6	45/45											
EH*B-3S10	7.51/10.0	20.8/24.1	9.6/8.7	-	45.6/48.4	50/50											
			-	1.7/1.5	35.7/39.4	45/45											
			9.6/8.7	1.7/1.5	47.7/50.3	50/60											
-	-	-	-	-	46.6/52.6	50/60											
EH*B-3S15	11.3/15.0	31.3/36.1	9.6/8.7	-	58.6/63.5	60/70											
			-	1.7/1.5	48.7/54.5	50/60											
			9.6/8.7	1.7/1.5	60.7/65.4	70/70											
-	-	-	-	-	54.4/61.6	60/70											
EH*B-3S18	13.5/18.0	37.5/43.3	9.6/8.7	-	66.4/72.5	70/80											
			-	1.7/1.5	56.5/63.5	60/70											
			9.6/8.7	1.7/1.5	68.5/74.4	70/80											
-	-	-	-	-	59.4/67.3	60/70											
EH*B-3S20	15.0/19.9	41.5/47.9	9.6/8.7	-	71.4/78.2	80/80											
			-	1.7/1.5	61.5/69.2	70/70											
			9.6/8.7	1.7/1.5	73.5/80.1	80/90											
-	-	-	-	-	82.6/94.1	90/100											
EH*B-3S30	21.6/28.8	60.0/69.3	9.6/8.7	-	94.6/105	100/110											
			-	1.7/1.5	84.7/96.0	90/100											
			9.6/8.7	1.7/1.5	96.7/107	100/110											

APPENDIX B ELECTRICAL DATA

MODEL NUMBER	ELECTRICAL RATING	COMPRESSOR			OUTDOOR FAN MOTOR			INDOOR FAN MOTOR			OPTIONAL ELECTRIC HEAT			OPTIONAL POWERED CONVENIENCE OUTLET	OPTIONAL POWER EXHAUST	POWER SUPPLY		
		QTY	RLA	LRA	QTY	HP	FLA	TYPE	HP	FLA	PART #	KW*	FLA	FLA	FLA	MCA	MOP	
DBC0723V	208/230/3/60	1	17.56	136	1	0.33	2	2	speed Belt Drive Standard Static	2	6	-	-	-	-	30.0/30.0	45/45	
												-	-	-	9.6/8.7	-	39.6/38.7	50/50
												-	-	-	-	1.7/1.5	31.7/31.5	45/45
												-	-	-	9.6/8.7	1.7/1.5	41.3/40.2	50/50
												-	-	-	-	-	30.0/30.0	45/45
												EH*B-3S05	3.76/5.00	10.4/12.0	9.6/8.7	-	39.6/38.7	50/50
															-	1.7/1.5	31.7/31.5	45/45
															9.6/8.7	1.7/1.5	41.3/40.2	50/50
												EH*B-3S10	7.51/10.0	20.8/24.1	-	-	33.6/37.6	45/45
															9.6/8.7	-	45.6/48.4	50/50
															-	1.7/1.5	35.7/39.4	45/45
												EH*B-3S15	11.3/15.0	31.3/36.1	9.6/8.7	1.7/1.5	47.7/50.3	50/60
															-	-	46.6/52.6	50/60
															9.6/8.7	-	58.6/63.5	60/70
												EH*B-3S18	13.5/18.0	37.5/43.3	-	1.7/1.5	48.7/54.5	50/60
															9.6/8.7	1.7/1.5	60.7/65.4	70/70
															-	-	54.4/61.6	60/70
												EH*B-3S20	15.0/19.9	41.5/47.9	9.6/8.7	-	66.4/72.5	70/80
															-	1.7/1.5	56.5/63.5	60/70
															9.6/8.7	1.7/1.5	68.5/74.4	70/80
												EH*B-3S30	21.6/28.8	60.0/69.3	-	-	59.4/67.3	60/70
															9.6/8.7	-	71.4/78.2	80/80
															-	1.7/1.5	61.5/69.2	70/70
												DBC0724S	460/3/60	1	8.46	66.1	1	0.33
-	-	-	4.3	-	18.6	25												
-	-	-	-	0.5	14.8	20												
-	-	-	4.3	0.5	19.1	25												
-	-	-	-	-	14.3	20												
EH*B-4S05	5	6.01	4.3	-	18.6	25												
			-	0.5	14.8	20												
			4.3	0.5	19.1	25												
EH*B-4S10	10	12	-	-	18.7	20												
			4.3	-	24	25												
			-	0.5	19.3	20												
EH*B-4S15	15	18	4.3	0.5	24.7	25												
			-	-	26.2	30												
			4.3	-	31.6	35												
EH*B-4S18	18	21.7	-	0.5	26.8	30												
			4.3	0.5	32.2	35												
			-	-	30.7	35												
EH*B-4S20	20	24.1	4.3	-	36.1	40												
			-	0.5	31.3	35												
			4.3	0.5	36.7	40												
EH*B-4S30	30	36.1	-	-	33.7	35												
			4.3	-	39.1	40												
			-	0.5	34.3	35												
-	-	-	4.3	0.5	39.7	40												
-	-	-	-	-	48.7	50												
-	-	-	4.3	-	54.1	60												
-	-	-	-	0.5	49.4	50												
-	-	-	4.3	0.5	54.7	60												

APPENDIX B ELECTRICAL DATA

MODEL NUMBER	ELECTRICAL RATING	COMPRESSOR			OUTDOOR FAN MOTOR			INDOOR FAN MOTOR			OPTIONAL ELECTRIC HEAT			OPTIONAL POWERED CONVENIENCE OUTLET	OPTIONAL POWER EXHAUST	POWER SUPPLY												
		QTY	RLA	LRA	QTY	HP	FLA	TYPE	HP	FLA	PART #	KW*	FLA	FLA	FLA	MCA	MOP											
DBC0724V	460/3/60	1	8.46	66.1	1	0.33	0.85	2 speed Belt Drive Standard Static	2	2.9	-	-	-	-	-	14.3	20											
											-	-	-	4.3	-	18.6	25											
											-	-	-	-	0.5	14.8	20											
											-	-	-	4.3	0.5	19.1	25											
											EH*B-4S05	5	6.01	-	-	14.3	20											
														4.3	-	18.6	25											
														-	0.5	14.8	20											
											EH*B-4S10	10	12	4.3	-	18.7	20											
														-	0.5	19.3	20											
														4.3	0.5	24.7	25											
											EH*B-4S15	15	18	-	-	26.2	30											
														4.3	-	31.6	35											
														-	0.5	26.8	30											
											EH*B-4S18	18	21.7	4.3	-	30.7	35											
														-	0.5	36.1	40											
														4.3	0.5	31.3	35											
											EH*B-4S20	20	24.1	-	-	33.7	35											
														4.3	-	39.1	40											
														-	0.5	34.3	35											
											EH*B-4S30	30	36.1	4.3	-	39.7	40											
														-	-	48.7	50											
														-	0.5	54.1	60											
											DBC0727S	575/3/60	1	6.35	55.3	1	0.33	0.67	2 speed Belt Drive High Static	2	2.4	-	-	-	-	-	11	15
																						-	-	-	3.5	-	14.5	20
-	-	-	-	0.6	11.6	15																						
-	-	-	3.5	0.6	15.1	20																						
EH*B-7S05	5	4.81	-	-	11	15																						
			3.5	-	14.5	20																						
			-	0.6	11.6	15																						
EH*B-7S10	10	9.62	3.5	0.6	15.1	20																						
			-	-	15	20																						
			3.5	-	19.4	20																						
EH*B-7S15	15	14.4	-	0.6	15.8	20																						
			3.5	0.6	20.2	25																						
			-	-	21	25																						
EH*B-7S18	18	17.3	3.5	-	25.4	30																						
			-	0.6	21.8	25																						
			3.5	0.6	26.2	30																						
EH*B-7S20	20	19.2	-	-	24.7	25																						
			3.5	-	29	30																						
			-	0.6	25.4	30																						
EH*B-7S30	30	28.9	3.5	0.6	29.8	30																						
			-	-	27.1	30																						
			3.5	-	31.4	35																						
EH*B-7S30	30	28.9	-	0.6	27.8	30																						
			3.5	0.6	32.2	35																						
			-	-	39.1	40																						
EH*B-7S30	30	28.9	3.5	-	43.5	45																						
			-	0.6	39.8	40																						
-	-	-	3.5	0.6	44.2	45																						

APPENDIX B ELECTRICAL DATA

MODEL NUMBER	ELECTRICAL RATING	COMPRESSOR			OUTDOOR FAN MOTOR			INDOOR FAN MOTOR			OPTIONAL ELECTRIC HEAT			OPTIONAL POWERED CONVENIENCE OUTLET	OPTIONAL POWER EXHAUST	POWER SUPPLY		
		QTY	RLA	LRA	QTY	HP	FLA	TYPE	HP	FLA	PART #	KW*	FLA	FLA	FLA	MCA	MOP	
DBC0727V	575/3/60	1	6.35	55.3	1	0.33	0.67	2 speed Belt Drive Standard Static	2	2.4	-	-	-	-	-	11	15	
											-	-	-	3.5	-	14.5	20	
											-	-	-	-	-	0.6	11.6	15
											-	-	-	3.5	0.6	15.1	20	
											-	-	-	-	-	-	11	15
											EH*B-7S05	5	4.81	3.5	-	14.5	20	
														-	0.6	11.6	15	
														3.5	0.6	15.1	20	
											EH*B-7S10	10	9.62	-	-	15	20	
														3.5	-	19.4	20	
														-	0.6	15.8	20	
											EH*B-7S15	15	14.4	3.5	0.6	20.2	25	
														-	-	21	25	
														3.5	-	25.4	30	
											EH*B-7S18	18	17.3	-	0.6	21.8	25	
														3.5	-	24.7	25	
														-	0.6	25.4	30	
											EH*B-7S20	20	19.2	3.5	0.6	29.8	30	
														-	-	27.1	30	
														3.5	-	31.4	35	
EH*B-7S30	30	28.9	-	0.6	27.8	30												
			3.5	0.6	32.2	35												
			-	-	39.1	40												
-	-	-	3.5	-	43.5	45												
-	-	-	-	0.6	39.8	40												
-	-	-	3.5	0.6	44.2	45												
DBH0363B	208/230/3/60	1	10.45	73	1	0.17	0.95	Belt Drive Standard Static	1	3.4	-	-	-	-	-	17.4/17.4	25/25	
											-	-	-	9.6/8.7	-	27.0/26.1	35/35	
											-	-	-	-	1.7/1.5	19.1/18.9	25/25	
											-	-	-	9.6/8.7	1.7/1.5	28.7/27.6	35/35	
											-	-	-	-	-	30.4/32.4	35/35	
											EH*B-3S05	3.76/5.00	10.4/12.0	9.6/8.7	-	40.0/41.1	45/45	
														-	1.7/1.5	32.1/33.9	35/35	
														9.6/8.7	1.7/1.5	41.7/42.6	45/45	
											EH*B-3S10	7.51/10.0	20.8/24.1	-	-	43.5/47.5	45/50	
														9.6/8.7	-	53.1/56.2	60/60	
														-	1.7/1.5	45.2/49.0	50/50	
											EH*B-3S15	11.3/15.0	31.3/36.1	9.6/8.7	1.7/1.5	54.8/57.7	60/60	
														-	-	56.5/62.5	60/70	
														9.6/8.7	-	66.1/71.2	70/80	
											-	-	-	9.6/8.7	1.7/1.5	58.2/64.0	60/70	
-	-	-	9.6/8.7	1.7/1.5	67.8/72.7	70/80												
DBH0363C	208/230/3/60	1	10.45	73	1	0.17	0.95	Belt Drive Standard Static	1	3.4	-	-	-	-	-	17.4/17.4	25/25	
											-	-	-	9.6/8.7	-	27.0/26.1	35/35	
											-	-	-	-	1.7/1.5	19.1/18.9	25/25	
											-	-	-	9.6/8.7	1.7/1.5	28.7/27.6	35/35	
											-	-	-	-	-	30.4/32.4	35/35	
											EH*B-3S05	3.76/5.00	10.4/12.0	9.6/8.7	-	40.0/41.1	45/45	
														-	1.7/1.5	32.1/33.9	35/35	
														9.6/8.7	1.7/1.5	41.7/42.6	45/45	
											EH*B-3S10	7.51/10.0	20.8/24.1	-	-	43.5/47.5	45/50	
														9.6/8.7	-	53.1/56.2	60/60	
														-	1.7/1.5	45.2/49.0	50/50	
											EH*B-3S15	11.3/15.0	31.3/36.1	9.6/8.7	1.7/1.5	54.8/57.7	60/60	
														-	-	56.5/62.5	60/70	
														9.6/8.7	-	66.1/71.2	70/80	
											-	-	-	9.6/8.7	1.7/1.5	58.2/64.0	60/70	
-	-	-	9.6/8.7	1.7/1.5	67.8/72.7	70/80												

APPENDIX B ELECTRICAL DATA

MODEL NUMBER	ELECTRICAL RATING	COMPRESSOR			OUTDOOR FAN MOTOR			INDOOR FAN MOTOR			OPTIONAL ELECTRIC HEAT			OPTIONAL POWERED CONVENIENCE OUTLET	OPTIONAL POWER EXHAUST	POWER SUPPLY	
		QTY	RLA	LRA	QTY	HP	FLA	TYPE	HP	FLA	PART #	KW*	FLA	FLA	FLA	MCA	MOP
DBH0364B	460/3/60	1	5.77	38	1	0.17	0.48	Belt Drive Standard Static	1	1.7	-	-	-	-	-	9.39	15
											-	-	-	4.3	-	13.7	15
											-	-	-	-	0.5	9.89	15
											-	-	-	4.3	0.5	14.2	15
											-	-	-	-	-	16.9	20
											EH*B-4S05	5	6.01	4.3	-	21.2	25
														-	0.5	17.4	20
														4.3	0.5	21.7	25
											EH*B-4S10	10	12	-	-	24.4	25
														4.3	-	28.7	30
														-	0.5	24.9	25
											EH*B-4S15	15	18	4.3	0.5	29.2	30
														-	-	31.9	35
														-	0.5	36.2	40
														4.3	0.5	36.7	40
DBH0364C	460/3/60	1	5.77	38	1	0.17	0.48	Belt Drive Standard Static	1	1.7	-	-	-	-	-	9.39	15
											-	-	-	4.3	-	13.7	15
											-	-	-	-	0.5	9.89	15
											-	-	-	4.3	0.5	14.2	15
											-	-	-	-	-	16.9	20
											EH*B-4S05	5	6.01	4.3	-	21.2	25
														-	0.5	17.4	20
														4.3	0.5	21.7	25
											EH*B-4S10	10	12	-	-	24.4	25
														4.3	-	28.7	30
														-	0.5	24.9	25
											EH*B-4S15	15	18	4.3	0.5	29.2	30
														-	-	31.9	35
														-	0.5	36.2	40
														4.3	0.5	36.7	40
DBH0367B	575/3/60	1	3.78	36.5	1	0.17	0.39	Belt Drive Standard Static	1.5	2.3	-	-	-	-	-	7.42	15
											-	-	-	3.5	-	10.9	15
											-	-	-	-	0.6	8.02	15
											-	-	-	3.5	0.6	11.5	15
											-	-	-	-	-	13.4	15
											EH*B-7S05	5	4.81	3.5	-	16.9	20
														-	0.6	14	15
														3.5	0.6	17.5	20
											EH*B-7S10	10	9.62	-	-	19.4	20
														3.5	-	22.9	25
														-	0.6	20	25
											EH*B-7S15	15	14.4	3.5	0.6	23.5	25
														-	-	25.5	30
														3.5	-	29	30
														-	0.6	26.1	30
3.5	0.6	29.6	30														
DBH0367C	575/3/60	1	3.78	36.5	1	0.17	0.39	Belt Drive High Static	1.5	2.3	-	-	-	-	-	7.42	15
											-	-	-	3.5	-	10.9	15
											-	-	-	-	0.6	8.02	15
											-	-	-	3.5	0.6	11.5	15
											-	-	-	-	-	13.4	15
											EH*B-7S05	5	4.81	3.5	-	16.9	20
														-	0.6	14	15
														3.5	0.6	17.5	20
											EH*B-7S10	10	9.62	-	-	19.4	20
														3.5	-	22.9	25
														-	0.6	20	25
											EH*B-7S15	15	14.4	3.5	0.6	23.5	25
														-	-	25.5	30
														3.5	-	29	30
														-	0.6	26.1	30
3.5	0.6	29.6	30														

APPENDIX B ELECTRICAL DATA

MODEL NUMBER	ELECTRICAL RATING	COMPRESSOR			OUTDOOR FAN MOTOR			INDOOR FAN MOTOR			OPTIONAL ELECTRIC HEAT			OPTIONAL POWERED CONVENIENCE OUTLET	OPTIONAL POWER EXHAUST	POWER SUPPLY												
		QTY	RLA	LRA	QTY	HP	FLA	TYPE	HP	FLA	PART #	KW*	FLA	FLA	FLA	MCA	MOP											
DBH0483B	208/230/3/60	1	13.14	83.1	1	0.25	1.4	Belt Drive Standard Static	1	3.4	-	-	-	-	21.2/21.2	30/30												
											-	-	-	9.6/8.7	-	30.8/29.9	40/40											
											-	-	-	-	1.7/1.5	22.9/22.7	30/30											
											-	-	-	9.6/8.7	1.7/1.5	32.5/31.4	40/40											
											EH*B-3S05	3.76/5.00	10.4/12.0	-	-	34.3/36.3	40/45											
														9.6/8.7	-	43.9/45.0	50/50											
														-	1.7/1.5	36.0/37.8	40/45											
											EH*B-3S10	7.51/10.0	20.8/24.1	9.6/8.7	-	45.6/46.5	50/50											
														-	-	47.3/51.3	50/60											
														9.6/8.7	-	56.9/60.0	60/60											
											EH*B-3S15	11.3/15.0	31.3/36.1	-	1.7/1.5	49.0/52.8	50/60											
														9.6/8.7	1.7/1.5	58.6/61.5	60/70											
														-	-	60.3/66.3	70/70											
											EH*B-3S18	13.5/18.0	37.5/43.3	9.6/8.7	-	69.9/75.0	70/80											
														-	1.7/1.5	62.0/67.8	70/70											
														9.6/8.7	1.7/1.5	71.6/76.5	80/80											
											EH*B-3S20	15.0/19.9	41.5/47.9	-	-	68.1/75.4	70/80											
														9.6/8.7	-	77.7/84.1	80/90											
														-	1.7/1.5	69.8/76.9	70/80											
											DBH0483C	208/230/3/60	1	13.14	83.1	1	0.25	1.4	Belt Drive High Static	1.5	4.8	-	-	-	-	22.6/22.6	35/35	
																						-	-	-	9.6/8.7	-	32.2/31.3	45/40
																						-	-	-	-	1.7/1.5	24.3/24.1	35/35
																						-	-	-	9.6/8.7	1.7/1.5	33.9/32.8	45/40
																						EH*B-3S05	3.76/5.00	10.4/12.0	-	-	35.7/37.7	45/45
9.6/8.7	-	45.3/46.4	50/50																									
-	1.7/1.5	37.4/39.2	45/45																									
EH*B-3S10	7.51/10.0	20.8/24.1	9.6/8.7	1.7/1.5	47.0/47.9	50/50																						
			-	-	48.7/52.7	50/60																						
			9.6/8.7	-	58.3/61.4	60/70																						
EH*B-3S15	11.3/15.0	31.3/36.1	-	1.7/1.5	50.4/54.2	60/60																						
			9.6/8.7	1.7/1.5	60.0/62.9	60/70																						
			-	-	61.7/67.7	70/70																						
EH*B-3S18	13.5/18.0	37.5/43.3	9.6/8.7	-	71.3/76.4	80/80																						
			-	1.7/1.5	63.4/69.2	70/70																						
			9.6/8.7	1.7/1.5	73.0/77.9	80/80																						
EH*B-3S20	15.0/19.9	41.5/47.9	-	-	69.5/76.8	70/80																						
			9.6/8.7	-	79.1/85.5	80/90																						
			-	1.7/1.5	71.2/78.3	80/80																						
EH*B-3S20	15.0/19.9	41.5/47.9	9.6/8.7	1.7/1.5	80.8/87.0	90/90																						
			-	-	74.5/82.5	80/90																						
-	-	-	9.6/8.7	-	84.1/91.2	90/100																						
-	-	-	-	1.7/1.5	76.2/84.0	80/90																						
-	-	-	9.6/8.7	1.7/1.5	85.8/92.7	90/100																						

APPENDIX B ELECTRICAL DATA

MODEL NUMBER	ELECTRICAL RATING	COMPRESSOR			OUTDOOR FAN MOTOR			INDOOR FAN MOTOR			OPTIONAL ELECTRIC HEAT			OPTIONAL POWERED CONVENIENCE OUTLET	OPTIONAL POWER EXHAUST	POWER SUPPLY													
		QTY	RLA	LRA	QTY	HP	FLA	TYPE	HP	FLA	PART #	KW*	FLA	FLA	FLA	MCA	MOP												
DBH0484B	460/3/60	1	6.09	41	1	0.25	0.7	Belt Drive Standard Static	1	1.7	-	-	-	-	-	10	15												
											-	-	-	4.3	-	14.3	20												
											-	-	-	-	-	0.5	10.5	15											
											-	-	-	4.3	0.5	14.8	20												
											EH*B-4S05	5	6.01	-	-	17.5	20												
														4.3	-	21.8	25												
														-	0.5	18	20												
											EH*B-4S10	10	12	4.3	0.5	22.3	25												
														-	-	25	30												
														4.3	-	29.3	30												
											EH*B-4S15	15	18	-	0.5	25.5	30												
														4.3	0.5	29.8	30												
														-	-	32.6	35												
											EH*B-4S18	18	21.7	4.3	-	36.9	40												
														-	0.5	33.1	35												
														4.3	0.5	37.4	40												
											EH*B-4S20	20	24.1	-	-	37.1	40												
														4.3	-	41.4	45												
														-	0.5	37.6	40												
											DBH0484C	460/3/60	1	6.09	41	1	0.25	0.7	Belt Drive High Static	1.5	2.4	-	-	-	-	-	10.7	15	
																						-	-	-	4.3	-	15	20	
																						-	-	-	-	-	0.5	11.2	15
																						-	-	-	4.3	0.5	15.5	20	
																						EH*B-4S05	5	6.01	-	-	18.2	20	
4.3	-	22.5	25																										
-	0.5	18.7	20																										
EH*B-4S10	10	12	4.3	0.5	23	25																							
			-	-	25.7	30																							
			4.3	-	30	35																							
EH*B-4S15	15	18	-	0.5	26.2	30																							
			4.3	0.5	30.5	35																							
			-	-	33.3	35																							
EH*B-4S18	18	21.7	4.3	-	37.6	40																							
			-	0.5	33.8	35																							
			4.3	0.5	38.1	40																							
EH*B-4S20	20	24.1	-	-	37.8	40																							
			4.3	-	42.1	45																							
			-	0.5	38.3	40																							
EH*B-4S20	20	24.1	4.3	0.5	42.6	45																							
			-	-	40.8	45																							
			4.3	-	45.1	50																							
-	-	0.5	41.3	45																									
4.3	0.5	45.6	50																										

APPENDIX B ELECTRICAL DATA

MODEL NUMBER	ELECTRICAL RATING	COMPRESSOR			OUTDOOR FAN MOTOR			INDOOR FAN MOTOR			OPTIONAL ELECTRIC HEAT			OPTIONAL POWERED CONVENIENCE OUTLET	OPTIONAL POWER EXHAUST	POWER SUPPLY		
		QTY	RLA	LRA	QTY	HP	FLA	TYPE	HP	FLA	PART #	KW*	FLA	FLA	FLA	MCA	MOP	
DBH0487B	575/3/60	1	4.36	33	1	0.25	0.55	Belt Drive Standard Static	1.5	2.3	-	-	-	-	-	8.3	15	
											-	-	-	3.5	-	11.8	15	
											-	-	-	-	-	0.6	8.9	15
											-	-	-	3.5	0.6	12.4	15	
											EH*B-7S05	5	4.81	-	-	14.3	15	
														3.5	-	17.8	20	
														-	0.6	14.9	15	
														3.5	0.6	18.4	20	
											EH*B-7S10	10	9.62	-	-	20.3	25	
														3.5	-	23.8	25	
														-	0.6	20.9	25	
														3.5	0.6	24.4	25	
											EH*B-7S15	15	14.4	-	-	26.3	30	
														3.5	-	29.8	30	
														-	0.6	26.9	30	
														3.5	0.6	30.4	35	
											EH*B-7S18	18	17.3	-	-	29.9	30	
														3.5	-	33.4	35	
														-	0.6	30.5	35	
														3.5	0.6	34	35	
EH*B-7S20	20	19.2	-	-	32.4	35												
			3.5	-	35.9	40												
			-	0.6	33	35												
			3.5	0.6	36.5	40												
DBH0487C	575/3/60	1	4.36	33	1	0.25	0.55	Belt Drive High Static	1.5	2.3	-	-	-	-	-	8.3	15	
											-	-	-	3.5	-	11.8	15	
											-	-	-	-	-	0.6	8.9	15
											-	-	-	3.5	0.6	12.4	15	
											EH*B-7S05	5	4.81	-	-	14.3	15	
														3.5	-	17.8	20	
														-	0.6	14.9	15	
														3.5	0.6	18.4	20	
											EH*B-7S10	10	9.62	-	-	20.3	25	
														3.5	-	23.8	25	
														-	0.6	20.9	25	
														3.5	0.6	24.4	25	
											EH*B-7S15	15	14.4	-	-	26.3	30	
														3.5	-	29.8	30	
														-	0.6	26.9	30	
														3.5	0.6	30.4	35	
											EH*B-7S18	18	17.3	-	-	29.9	30	
														3.5	-	33.4	35	
														-	0.6	30.5	35	
														3.5	0.6	34	35	
EH*B-7S20	20	19.2	-	-	32.4	35												
			3.5	-	35.9	40												
			-	0.6	33	35												
			3.5	0.6	36.5	40												

APPENDIX B ELECTRICAL DATA

MODEL NUMBER	ELECTRICAL RATING	COMPRESSOR			OUTDOOR FAN MOTOR			INDOOR FAN MOTOR			OPTIONAL ELECTRIC HEAT			OPTIONAL POWERED CONVENIENCE OUTLET	OPTIONAL POWER EXHAUST	POWER SUPPLY	
		QTY	RLA	LRA	QTY	HP	FLA	TYPE	HP	FLA	PART #	KW*	FLA	FLA	FLA	MCA	MOP
DBH0603B	208/230/3/60	1	15.90	110	1	0.33	2.3	Belt Drive Standard Static	1	3.2	-	-	-	-	-	25.4/25.4	40/40
											-	-	-	9.6/8.7	-	35.0/34.1	50/45
											-	-	-	-	1.7/1.5	27.1/26.9	40/40
											-	-	-	9.6/8.7	1.7/1.5	36.7/35.6	50/45
											-	-	-	-	-	38.4/40.4	50/50
											EH*B-3S05	3.76/5.00	10.4/12.0	9.6/8.7	-	48.0/49.1	60/60
														-	1.7/1.5	40.1/41.9	50/50
														9.6/8.7	1.7/1.5	49.7/50.6	60/60
											EH*B-3S10	7.51/10.0	20.8/24.1	-	-	51.4/55.4	60/60
														9.6/8.7	-	61.0/64.1	70/70
														-	1.7/1.5	53.1/56.9	60/60
											-	-	-	9.6/8.7	1.7/1.5	62.7/65.6	70/70
											EH*B-3S15	11.3/15.0	31.3/36.1	-	-	64.5/70.5	70/80
														9.6/8.7	-	74.1/79.2	80/80
														-	1.7/1.5	66.2/72.0	70/80
											-	-	-	9.6/8.7	1.7/1.5	75.8/80.7	80/90
											EH*B-3S18	13.5/18.0	37.5/43.3	-	-	72.3/79.5	80/80
														9.6/8.7	-	81.9/88.2	90/90
														-	1.7/1.5	74.0/81.0	80/90
											-	-	-	9.6/8.7	1.7/1.5	83.6/89.7	90/90
											EH*B-3S20	15.0/19.9	41.5/47.9	-	-	77.2/85.2	80/90
														9.6/8.7	-	86.8/93.9	90/100
														-	1.7/1.5	78.9/86.7	80/90
											-	-	-	9.6/8.7	1.7/1.5	88.5/95.4	90/100
DBH0603C	208/230/3/60	1	15.90	110	1	0.33	2.3	Belt Drive High Static	1.5	4.8	-	-	-	-	-	27.0/27.0	40/40
											-	-	-	9.6/8.7	-	36.6/35.7	50/50
											-	-	-	-	1.7/1.5	28.7/28.5	40/40
											-	-	-	9.6/8.7	1.7/1.5	38.3/37.2	50/50
											-	-	-	-	-	40.0/42.0	50/50
											EH*B-3S05	3.76/5.00	10.4/12.0	9.6/8.7	-	49.6/50.7	60/60
														-	1.7/1.5	41.7/43.5	50/50
														9.6/8.7	1.7/1.5	51.3/52.2	60/60
											-	-	-	-	-	53.0/57.0	60/60
											EH*B-3S10	7.51/10.0	20.8/24.1	9.6/8.7	-	62.6/65.7	70/70
														-	1.7/1.5	54.7/58.5	60/60
														9.6/8.7	1.7/1.5	64.3/67.2	70/70
											-	-	-	-	-	66.1/72.1	70/80
											EH*B-3S15	11.3/15.0	31.3/36.1	9.6/8.7	-	75.7/80.8	80/90
														-	1.7/1.5	67.8/73.6	70/80
														9.6/8.7	1.7/1.5	77.4/82.3	80/90
											-	-	-	-	-	73.9/81.1	80/90
											EH*B-3S18	13.5/18.0	37.5/43.3	9.6/8.7	-	83.5/89.8	90/90
														-	1.7/1.5	75.6/82.6	80/90
														9.6/8.7	1.7/1.5	85.2/91.3	90/100
											-	-	-	-	-	78.8/86.8	80/90
											EH*B-3S20	15.0/19.9	41.5/47.9	9.6/8.7	-	88.4/95.5	90/100
														-	1.7/1.5	80.5/88.3	90/90
														9.6/8.7	1.7/1.5	90.1/97.0	100/100

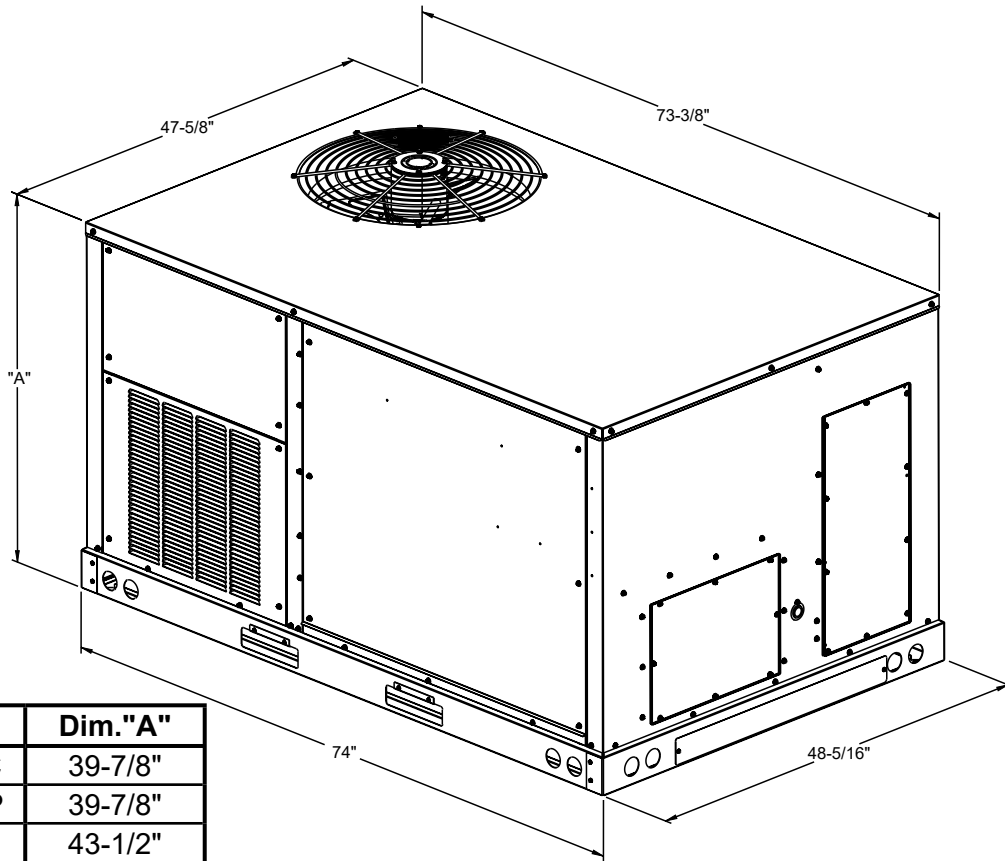
APPENDIX B ELECTRICAL DATA

MODEL NUMBER	ELECTRICAL RATING	COMPRESSOR			OUTDOOR FAN MOTOR			INDOOR FAN MOTOR			OPTIONAL ELECTRIC HEAT			OPTIONAL POWERED CONVENIENCE OUTLET	OPTIONAL POWER EXHAUST	POWER SUPPLY	
		QTY	RLA	LRA	QTY	HP	FLA	TYPE	HP	FLA	PART #	KW*	FLA	FLA	FLA	MCA	MOP
DBH0604B	460/3/60	1	7.05	52	1	0.33	1.1	Belt Drive Standard Static	1	1.5	-	-	-	-	-	11.4	15
											-	-	-	4.3	-	15.7	20
											-	-	-	-	0.5	11.9	15
											-	-	-	4.3	0.5	16.2	20
											-	-	-	-	-	18.9	20
											EH*B-4S05	5	6.01	4.3	-	23.2	25
														-	0.5	19.4	20
														4.3	0.5	23.7	25
											EH*B-4S10	10	12	-	-	26.4	30
														4.3	-	30.7	35
														-	0.5	26.9	30
											EH*B-4S15	15	18	4.3	0.5	31.2	35
														-	-	34	35
														4.3	-	38.3	40
											EH*B-4S18	18	21.7	-	0.5	34.5	35
														4.3	0.5	38.8	40
														-	-	38.5	40
											EH*B-4S20	20	24.1	4.3	-	42.8	45
														-	0.5	39	40
														4.3	0.5	43.3	45
DBH0604C	460/3/60	1	7.05	52	1	0.33	1.1	Belt Drive High Static	1.5	2.4	-	-	-	-	-	12.3	15
											-	-	-	4.3	-	16.6	20
											-	-	-	-	0.5	12.8	15
											-	-	-	4.3	0.5	17.1	20
											-	-	-	-	-	19.8	25
											EH*B-4S05	5	6.01	4.3	-	24.1	25
														-	0.5	20.3	25
														4.3	0.5	24.6	25
											EH*B-4S10	10	12	-	-	27.3	30
														4.3	-	31.6	35
														-	0.5	27.8	30
											EH*B-4S15	15	18	4.3	0.5	32.1	35
														-	-	34.9	35
														4.3	-	39.2	40
											EH*B-4S18	18	21.7	-	0.5	35.4	40
														4.3	0.5	39.7	40
														-	-	39.4	40
											EH*B-4S20	20	24.1	4.3	-	43.7	45
														-	0.5	39.9	40
														4.3	0.5	44.2	45
-	-	-	-	-	42.4	45											
-	-	-	4.3	-	46.7	50											
-	-	-	-	0.5	42.9	45											
-	-	-	4.3	0.5	47.2	50											

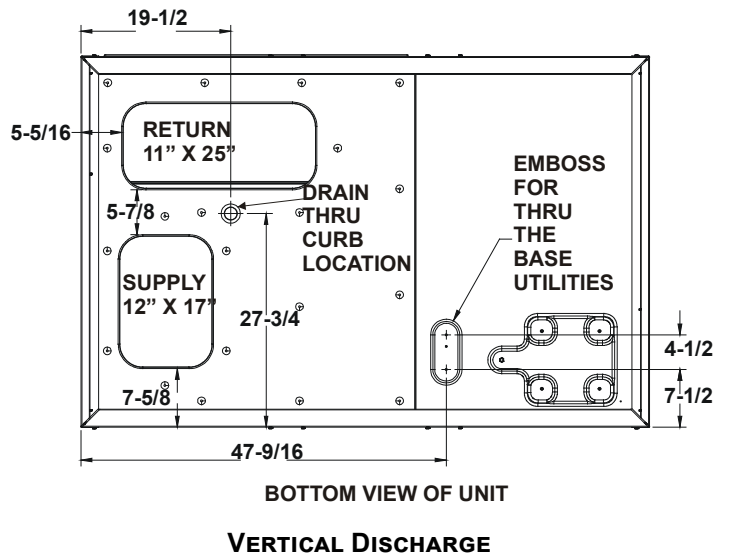
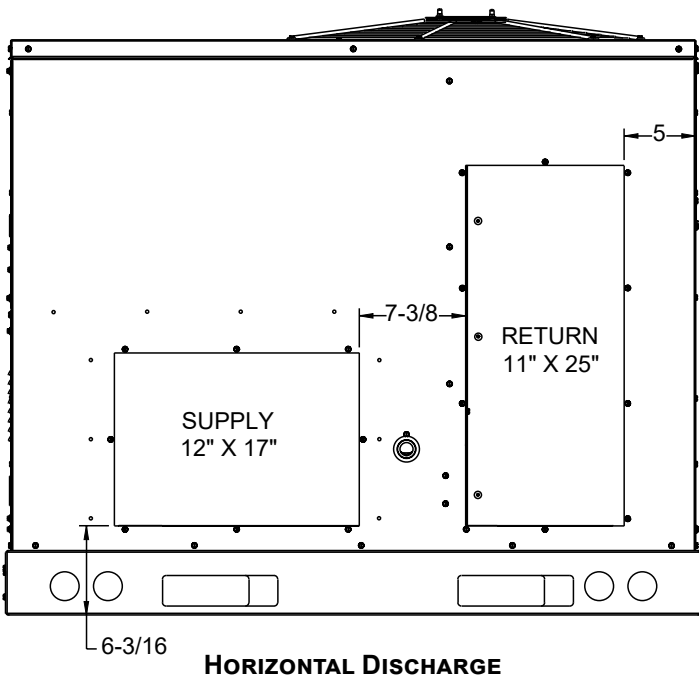
APPENDIX B ELECTRICAL DATA

MODEL NUMBER	ELECTRICAL RATING	COMPRESSOR			OUTDOOR FAN MOTOR			INDOOR FAN MOTOR			OPTIONAL ELECTRIC HEAT			OPTIONAL POWERED CONVENIENCE OUTLET	OPTIONAL POWER EXHAUST	POWER SUPPLY												
		QTY	RLA	LRA	QTY	HP	FLA	TYPE	HP	FLA	PART #	KW*	FLA	FLA	FLA	MCA	MOP											
DBH0607B	575/3/60	1	5.13	39.5	1	0.33	0.9	Belt Drive Standard Static	1	1.2	-	-	-	-	-	8.51	15											
											-	-	-	3.5	-	12	15											
											-	-	-	-	0.6	9.11	15											
											-	-	-	3.5	0.6	12.6	15											
											-	-	-	-	-	14.5	15											
											EH*B-7S05	5	4.81	3.5	-	18	20											
														-	0.6	15.1	20											
														3.5	0.6	18.6	20											
											EH*B-7S10	10	9.62	-	-	20.5	25											
														3.5	-	24	25											
														-	0.6	21.1	25											
											EH*B-7S15	15	14.4	3.5	0.6	24.6	25											
														-	-	26.6	30											
														3.5	-	30.1	35											
											EH*B-7S18	18	17.3	-	0.6	27.2	30											
														3.5	0.6	30.7	35											
														-	-	30.2	35											
											EH*B-7S20	20	19.2	3.5	-	33.7	35											
														-	0.6	30.8	35											
														3.5	0.6	34.3	35											
											DBH0607C	575/3/60	1	5.13	39.5	1	0.33	0.9	Belt Drive High Static	1.5	2.3	-	-	-	-	-	9.61	15
																						-	-	-	3.5	-	13.1	15
																						-	-	-	-	0.6	10.2	15
																						-	-	-	3.5	0.6	13.7	15
-	-	-	-	-	15.6	20																						
EH*B-7S05	5	4.81	3.5	-	19.1	20																						
			-	0.6	16.2	20																						
			3.5	0.6	19.7	20																						
EH*B-7S10	10	9.62	-	-	21.6	25																						
			3.5	-	25.1	30																						
			-	0.6	22.2	25																						
EH*B-7S15	15	14.4	3.5	0.6	25.7	30																						
			-	-	27.7	30																						
			3.5	-	31.2	35																						
EH*B-7S18	18	17.3	-	0.6	28.3	30																						
			3.5	0.6	31.8	35																						
			-	-	31.3	35																						
EH*B-7S20	20	19.2	3.5	-	34.8	35																						
			-	0.6	31.9	35																						
			3.5	0.6	35.4	40																						
EH*B-7S20	20	19.2	-	-	33.7	35																						
			3.5	-	37.2	40																						
			-	0.6	34.3	35																						
-	-	-	3.5	0.6	37.8	40																						

APPENDIX C UNIT DIMENSIONS



Model	Dim. "A"
3-5 ton AC	39-7/8"
3-4 ton HP	39-7/8"
5 ton HP	43-1/2"
6 ton AC	43-1/2"




NOTE: REFER TO IOD-7082 INCLUDED IN THE LITERATURE PACK FOR INSTALLING HORIZONTAL DUCT COVERS.

APPENDIX D AIR FLOW FOR ELECTRIC HEAT

Electric Heaters							
Model #	Min Airflow	EH*B-*S05	EH*B-*S10	EH*B-*S15	EH*B-*S18	EH*B-*S20	EH*B-*S30
DBC036*	975	X	X	X			
DBC048*	1300	X	X	X	X	X	
DBC060*	1625	X	X	X	X	X	
DBC072*	1950	X	X	X	X	X	X
DBH036*	975	X	X	X			
DBH048*	1300	X	X	X	X	X	
DBH060*	1625	X	X	X	X	X	

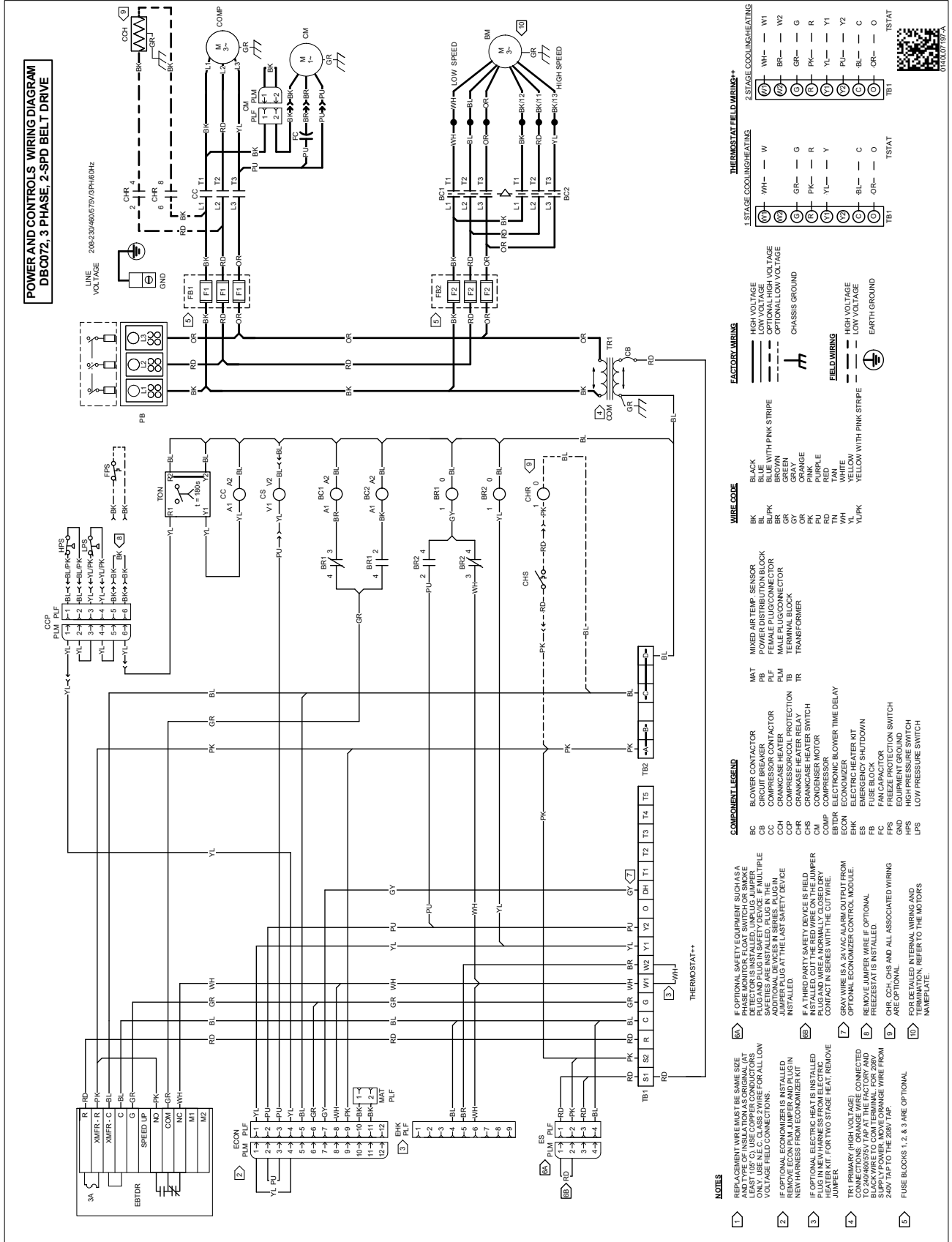
Note: Adjust the pulley setting as needed to achieve the minimum airflow at the appropriate application external static pressure. See airflow adjustment instructions and airflow tables for reference.

WIRING DIAGRAMS



WARNING

HIGH VOLTAGE!
DISCONNECT ALL POWER BEFORE SERVICING OR INSTALLING THIS UNIT. MULTIPLE POWER SOURCES MAY BE PRESENT. FAILURE TO DO SO MAY CAUSE PROPERTY DAMAGE, PERSONAL INJURY OR DEATH.

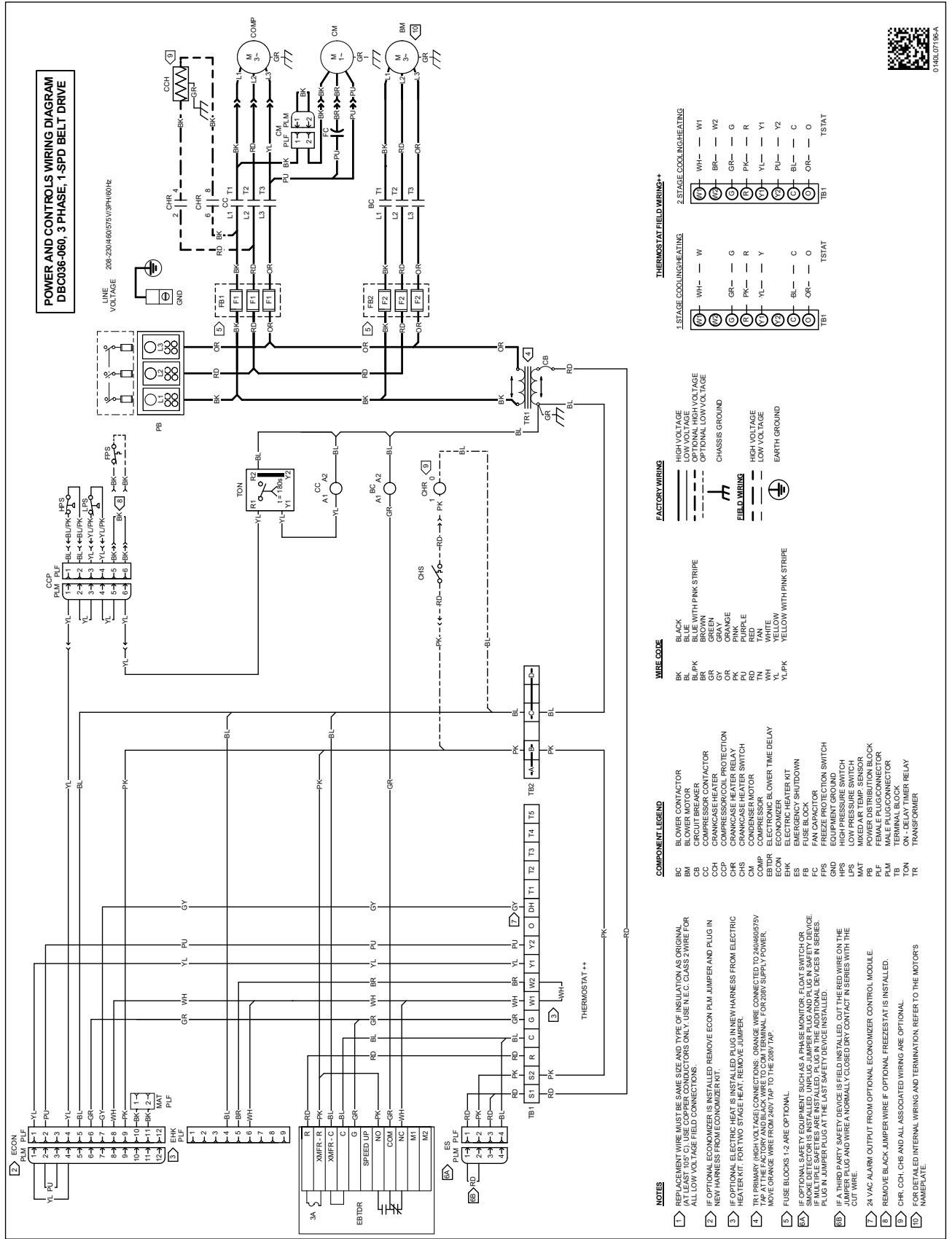


Wiring is subject to change. Always refer to the wiring diagram on the unit for the most up-to-date wiring.

WIRING DIAGRAMS



WARNING
HIGH VOLTAGE!
 DISCONNECT ALL POWER BEFORE SERVICING OR INSTALLING THIS UNIT. MULTIPLE POWER SOURCES MAY BE PRESENT. FAILURE TO DO SO MAY CAUSE PROPERTY DAMAGE, PERSONAL INJURY OR DEATH.



014620716804

Wiring is subject to change. Always refer to the wiring diagram on the unit for the most up-to-date wiring.



Start-up Checklist

**Store in job file*

Date: _____ Location: _____
Model Number: _____
Serial Number: _____
Technician: _____ Unit #: _____

Pre Start-Up

(Check each item as completed)

- Verify all packaging material has been removed.
- Remove all shipping brackets per installation instructions.
- Verify the job site voltage agrees with the unit serial plate.
- Verify condensate connection is installed per installation instructions.
- Verify proper clearance around the unit for safety, service, maintenance and proper unit operation.
- Verify proper weatherproofing of all ductwork, roof curbs and electrical connections.
- Check that the flue screen is in place.
- Check gas piping for leaks.
- Verify gas pressure to the unit is within the range specified on the serial plate.
- Check to ensure that all fans, pulleys and wheels are secure.
- Check for proper belt tension and alignment per installation instructions.
- Check refrigerant piping for rubbing and leaks. *Repair if necessary.*
- Check unit wiring to ensure it is not in contact with refrigerant piping or sharp metal edges.
- Check all electrical connections and terminals. *Tighten as needed.*
- Verify that the crankcase heaters have been energized for 24 hours.
- Verify the scroll compressor(s) are rotating in the right direction.
- Verify all accessories are installed and operating correctly.
- Check filters and replace if necessary.
- Verify the installation of the thermostat.



Start-up Checklist

Start-Up
(Insert the values as each item is completed.)

ELECTRICAL

Supply Voltage	L1 - L2	_____	L2 - L3	_____	L3 - L1	_____
Circuit 1 Compressor Amps	L1	_____	L2	_____	L3	_____
Circuit 2 Compressor Amps	L1	_____	L2	_____	L3	_____
Blower Amps	L1	_____	L2	_____	L3	_____
Condenser Fan Amps	Fan 1	_____	Fan 2	_____	Fan 3	_____

BLOWER EXTERNAL STATIC PRESSURE

Return Air Static Pressure	_____	IN. W.C.
Supply Air Static Pressure	_____	IN. W.C.
Total External Static Pressure	_____	IN. W.C.
Blower Wheel RPM	_____	RPM

TEMPERATURES

Outdoor Air Temperature	_____	DB	_____	WB
Return Air Temperature	_____	DB	_____	WB
Cooling Supply Air Temperature	_____	DB	_____	WB
Heating Supply Air Temperature	_____	DB	_____	

PRESSURES

Gas Inlet Pressure	_____	IN. W.C.		
Gas Manifold Pressure	_____	IN. W.C. (Low Fire)	_____	IN. W.C. (High Fire)
Suction Circuit 1	_____	PSIG	_____	°F
Superheat (Orifice System)			_____	°F
Suction Circuit 2	_____	PSIG	_____	°F
Superheat (Orifice System)			_____	°F
Discharge Circuit 1	_____	PSIG	_____	°F
Subcooling (TXV System)			_____	°F
Discharge Circuit 2	_____	PSIG	_____	°F
Subcooling (TXV System)			_____	°F

(HEAT PUMP ONLY)

Suction Circuit 1	_____	PSIG	_____	°F
Suction Circuit 2	_____	PSIG	_____	°F
Discharge Circuit 1	_____	PSIG	_____	°F
Discharge Circuit 2	_____	PSIG	_____	°F

CUSTOMER FEEDBACK

Daikin is very interested in all product comments.

Please fill out the feedback form on the following link:

<https://daikincomfort.com/contact-us>

You can also scan the QR code on the right to be directed to the feedback page.



Our continuing commitment to quality products may mean a change in specifications without notice.

© 2020 **DAIKIN MANUFACTURING COMPANY, L.P.**

19001 Kermier Rd., Waller, TX 77484

www.daikincomfort.com