

# Instruction Sheet 232403 for Door Hinge Assembly Replacement Kit 232402



**SERVICE WORK ONLY TO BE CARRIED OUT BY QUALIFIED PERSONS**

Packed By:-

SL 14/5/18  
Initial Date

Suitable for the following models:

Waldorf 800 Series.

Blue Seal Evolution Series.

600 Gas Oven, 750 Gas / Elect Oven, 900 Gas / Elect Ovens, 1200 Gas / Elect Ovens, 1200 Double Ovens.

Contents:

2 x Door Hinge Arm Assy.  
2 x Door Retrofit Pivot Pin.  
2 x M8 x 35 Shoulder Screw.  
2 x M6 Glenloch Nut.  
2 x M8 Glenloch Nut.

2 x Door Retrofit Bush.  
Pure FM 2 Grease.  
1 x Plastic Bag 100 x 155 (Self Seal).  
1 x Plastic Stir Stick.  
9 x Rivet 5mm S/S Avinox (NXP61-01611).

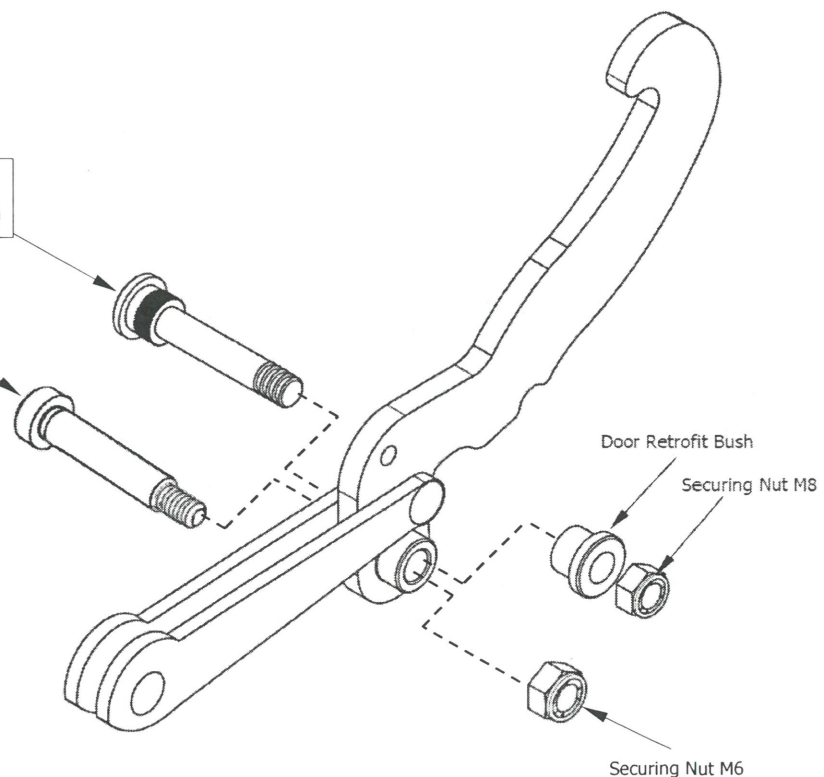
## Replacement of Door Hinge Assembly on Blue Seal Evolution and Waldorf 800 Series Ovens.

### Important:

Always ensure that the Left and Right Door Hinge Arm Assembly are replaced as a pair to ensure correct operation and sealing of the oven door.

For Units up to Lot No. 0838999.  
Door Retrofit Pivot Pin (Splined Shoulder M8)

For Units from Lot No. 0839001.  
Shouldered Hex Head Screw M6



# Instruction Sheet 232403 for Door Hinge Assembly Replacement Kit 232402

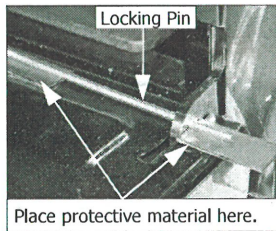
## **Important:**

**Always ensure that the Left and Right Door Hinge Pivots are replaced as a pair to ensure correct operation and sealing of the oven door.**

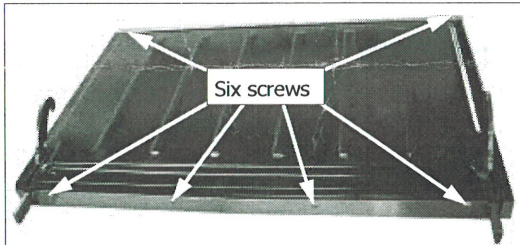
### **Removing the Door Hinge Arms:**

To replace the door hinge assembly, carry out the following instructions;

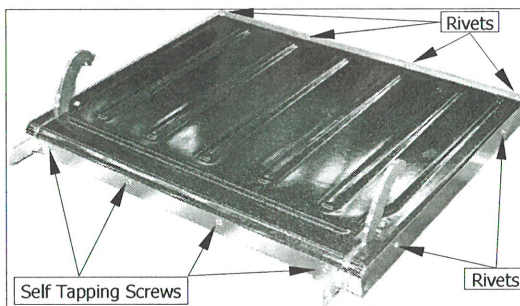
1. Open oven door and using a metal rod or allen key, 4.5mm or smaller, place through locking holes in door hinges to lock door open, ensure both hinges are locked.
2. Place cardboard under locking rod ends to prevent scratching the enamel.
3. Lift out door.
4. Remove hinge locking rods and cardboard from door.



- 5.A. **For Units up to Lot No. 0838999;**
- a. remove six screws securing oven door outer paneling.

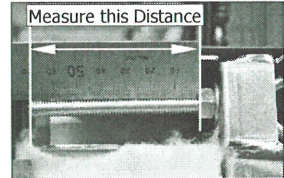


- 5.B. **For Units from Lot No. 0839001;**
- a. Drill out rivets on sides and top edge of door using 5mm drill.
  - b. Remove self tapping screws from base of door.

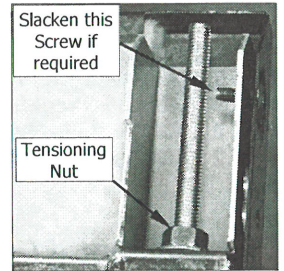


6. Remove the oven door outer paneling.

7. Measure and note measurement from tensioning nut to end of threaded spline.



8. Undo tensioning nut until tensioning bolt eyelet is completely unwound.

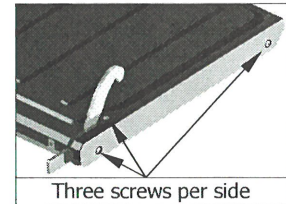


**NOTE: If access to tensioning nut is restricted, by screw shown above, slacken off screw shown to allow better access.**

9. Remove spring from eyelet bolt and door hinge.

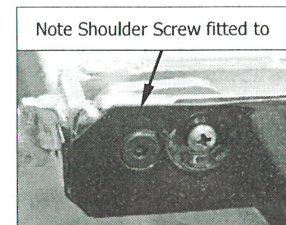
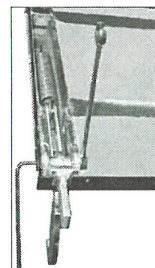
### **10.A. For Units up to Lot No. 0838999;**

- a. Remove screws securing inner paneling to door frame.
- b. Partially lift door frame out of inner panel to allow access to door hinge arm.
- c. Remove door hinge arms.
- d. Carry out this operation for the second door hinge arm and remove arms.



### **10.B For Units from Lot No. 0839001;**

- a. Undo Glenloch Nut and tap out Shoulder Screw securing the hinge arm to the door frame.

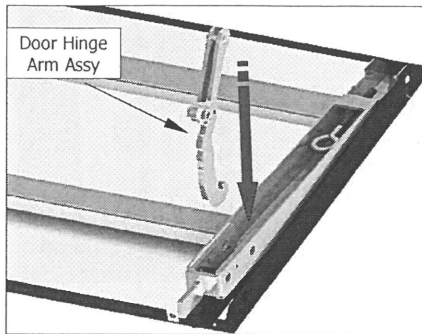


- b. Carry out this operation for the second, door hinge arm and remove the hinge arms.

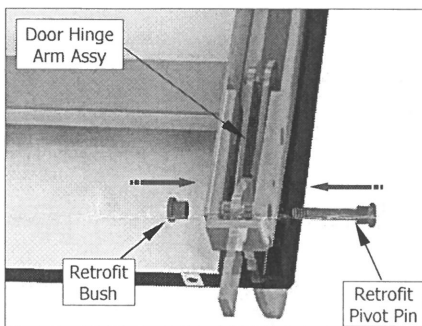
## Instruction Sheet 232403 for Door Hinge Assembly Replacement Kit 232402

### **Fitting Replacement Door Hinge Arms, For Units up to Lot No. 0838999:**

1. Replace door hinge arms with replacement Door Hinge Arm Assemblies.



2. Liberally grease Door Hinge Pivot Pins with Pure FM2 grease supplied and fit with pin shoulder to outside of door frame.

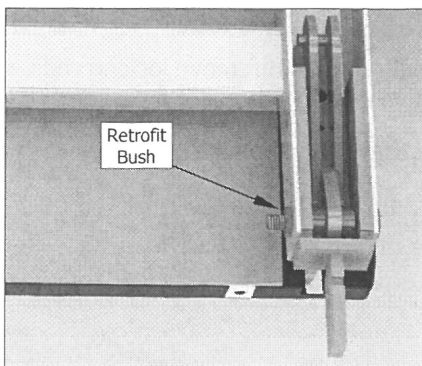


3. Fit Door Hinge Arms and secure with Door Retrofit Pivot Pins fitted from outside to inside.

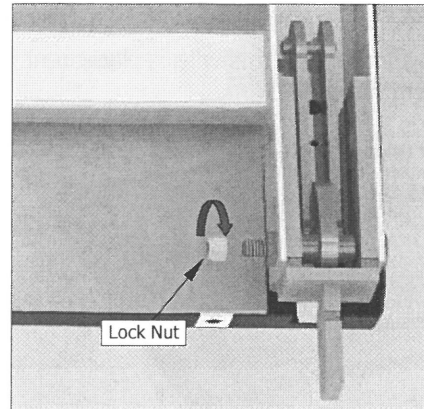
#### **NOTE:**

- Door Retrofit Pivot Pins are a force fit and should be tapped in until shoulder of pin is flush with side of door frame.
- If Door Pivot Pin will not sit flush in door frame, run a  $\varnothing 12\text{mm}$  drill through hole. Only enlarge enough to make pivot pin a tight fit.

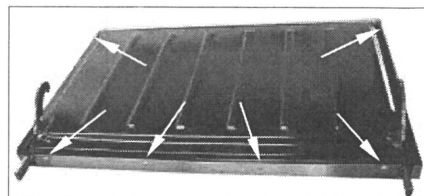
4. Fit Door Retrofit Bush to the inside of the door frame until shoulder of bush is flush with side frame of door.



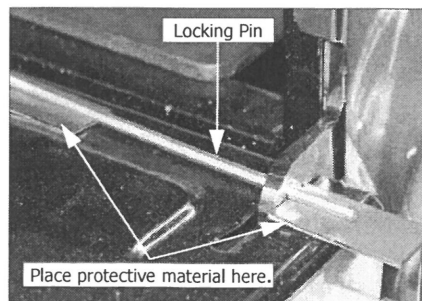
5. Fit Lock Nut supplied, and tighten.



6. Fit door frame back into inner door panelling and secure in place with 2 screws at hinge end of door. (Screws at side of door inner panel at hinge end of door).
7. Turn door over and fit 2 screws and fibre washers to secure door inner to door frame.
8. Refit door tensioning springs.
9. Tension door springs ensuring distance from tensioning nut to end of threaded spline is same distance as measured at ***Step 7 on Page 2.***
10. Refit remaining 2 screws to inner door panel.
11. Refit door outer paneling and secure with 6 screws.



12. Turn door over, push back on door hinge arms and fit locking rods and protective cardboard (or a suitable soft material) under hinges.

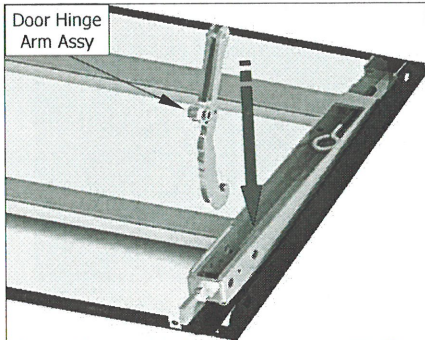


13. Refit oven door and remove locking rods and protective cardboard.
14. Ensure that door operates correctly.

## Instruction Sheet 232403 for Door Hinge Assembly Replacement Kit 232402

### **Fitting Replacement Door Hinge Arms, For Units from Lot No. 0839001:**

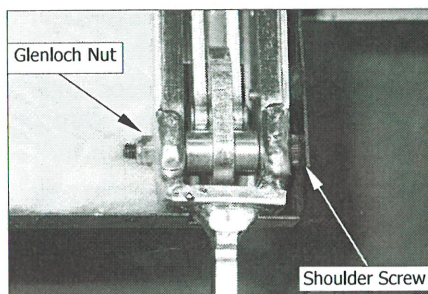
1. Replace door hinge arms with replacement Door Hinge Arm Assembly.



2. Liberally grease Shoulder Screws with Pure FM2 grease supplied.
3. Align door hinge arms with locating holes in door frame and secure with Shoulder Screws, fit screws with shoulder to outside of door frame.
4. Tap screws in until the top of pin head is flush or below side panel.

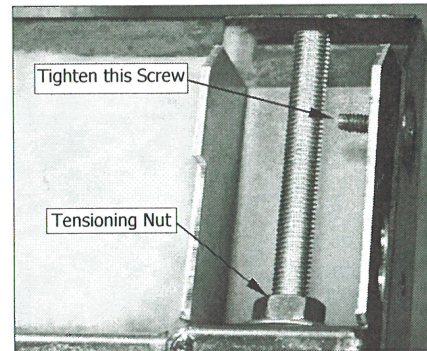
**NOTE: Ensure that Door Pivot Shoulder Screws are fitted into door frames until shoulder of the pin is flush or below side of door frame.**

5. Fit Lock Nut and tighten hand tight with a 4mm allen key and 10mm A/F spanner.



6. Refit door springs.
7. Tension both door springs ensuring distance from tensioning nut to end of threaded spline is the same distance as measured at ***Step 7 on Page 2.***

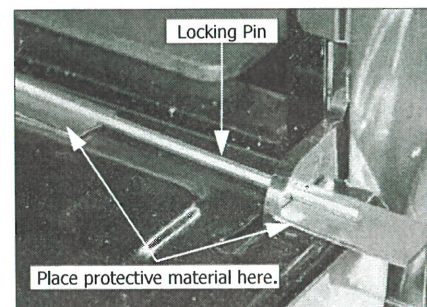
**NOTE: Once tensioning is completed, re-tighten screw shown, on both sides of door.**



8. Refit door outer panel to inner panel and secure at either side with rivets supplied.



9. Rivet top inner and outer panels together.
10. Secure door inner and outer panels at bottom of door with self tapping screws.
11. Turn door over, push back on door hinge arms and fit locking rods and protective cardboard (or a suitable soft material) under hinges.



12. Refit oven door and remove locking rods and protective cardboard.
13. Ensure that door operates correctly.