

**Ziegler  
& Brown**

# TWIN GRILL

THE ULTIMATE PORTABLE BBQ

## OPERATING INSTRUCTIONS



Cart sold separately

Covering Models ZTGK / ZGTGNGK / ZGTGRK / ZGTGRNGK

# Congratulations on Your Purchase and Welcome to the World of Outdoor Cooking

## **IMPORTANT HEALTH & SAFETY INFORMATION:**

Australia has an excellent safety record when it comes to gas appliances. This reflects both the high quality of appliances sold, as well as growing consumer awareness about safe practice. We urge you to follow these guidelines and instructions for safe use, to prevent overheating and to produce great cooking results.

- Please read these instructions carefully prior to assembly and use. Failure to follow these instructions could lead to serious injury and/or significant damage to property.
- This barbeque is an outdoor appliance only. Under no circumstances should it be used indoors.
- Do not start the barbeque if there is any doubt over the correct assembly, ignition, gas control or safe operation of the unit.
- These instructions should be retained for future reference.
- This barbeque has not been approved for marine use.
- Never attempt to ignite the barbeque with the hood closed.
- Do not perform any servicing on the barbeque yourself. This includes internal adjustment of the regulator and gas valves. Servicing can only be carried out by authorised technicians.
- It is important that you install your barbeque exactly as described in these instructions. In particular you should keep the barbeque clear of combustible material, and you should check for leaks whenever a new connection is made.
- Do not store chemicals or flammable materials near this appliance.
- Do not place articles on or against, or enclose this appliance.
- The barbeque gets extremely hot while in use. Keep children away from the appliance until it has cooled to normal temperatures.
- It is a good idea to tie back long hair and loose clothing while cooking in case of unexpected flare ups.
- Fat fires are the most common cause of problems in barbeques. They are caused by a build up of grease in the drip tray and the inside of the barbeque frame. A fat fire can be difficult to put out, and will be dangerous if it spreads to the gas hose. You should keep your barbeque clean to avoid this occurrence. Fat fires will void the warranty.
- Do not attempt to move or transport the barbeque whilst it is hot. Always allow the barbeque to completely cool down before moving or covering.

- NEVER leave a barbeque unattended with any burners switched on. Always switch **OFF** all burners and cylinders or supply valves when the barbeque is not in use.
- Take care when touching a hot barbeque, especially on surfaces close to the firebox or roasting hood.
- Its fine to pre-heat with all burners on **HIGH** and the hood closed, but NEVER let the temperature on the hood thermometer exceed 250 degrees Celsius.
- When cooking with the hood closed, turn one or more burners to **LOW** or **OFF** as required to keep the barbeque from getting too hot. NEVER let the temperature on the hood thermometer exceed 250 degrees Celsius.
- NEVER leave all burners on **HIGH** for more than 15 minutes, always stay in control by adjusting burners to **LOW** and **OFF** as required to maintain suitable cooking temperatures.
- Follow all manufacturer's instructions to periodically check for gas leaks.
- Flammable materials and liquids must be stored well away from the barbeque.
- Aerosols must not be used near a lit barbeque.
- Gas bottles **MUST** be transported stored and used vertically only.
- Avoid dousing the barbeque with water.
- For safety reasons it is advisable to keep a fire extinguisher and fire blanket close to hand.
- Unsupervised children and infirm should not be allowed close to the barbeque during pre-heat, cooking, burn off or cooling down of the unit.
- Please dispose of all polythene packing and plastic bags carefully and keep out of the reach of children.
- Spare or extra gas bottles must **NOT** be stored within close proximity of this barbeque or any other gas or electric appliance.
- Spare or extra gas bottles should not be stored where they are exposed to continuous direct sunlight, as this is a potentially dangerous practice.
- The position of the assembled barbeque should be such that the gas bottle is not left exposed to direct sunlight as this is a potentially dangerous situation.
- For storage and gas cylinder exchange, disconnect the gas cylinder only. Do not disconnect hose from the barbeque.

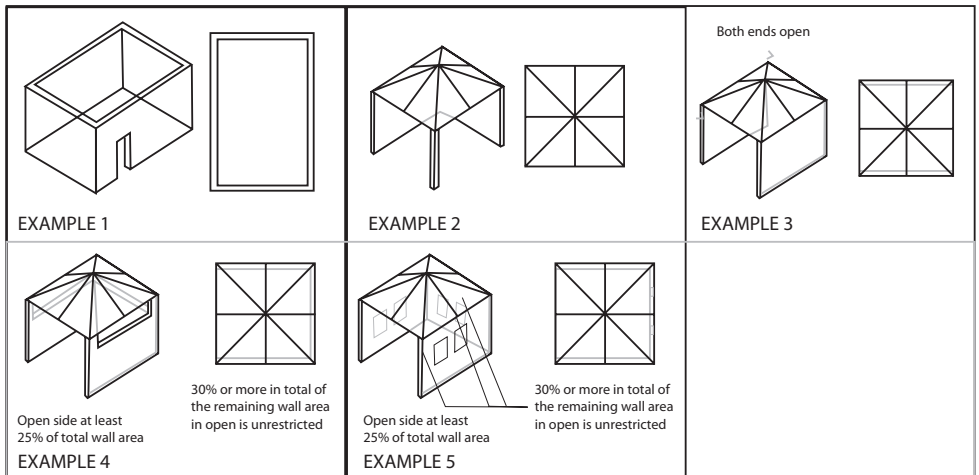
## Where to Put Your Barbeque

- Please make sure that the barbeque is NOT positioned underneath any combustible material or surface.
- There MUST be a clearance of at least 250mm from the sides and the back of the barbeque to any combustible materials or surfaces. There must also be a clearance of at least 1500mm above the cooking surfaces to any combustible surface.
- Flammable materials of any description MUST be kept well away from the barbeque.
- The barbeque must be positioned such that the gas bottle is kept away from direct sunlight.
- The barbeque must be positioned to avoid walkways, gangways and general pedestrian access.
- The nature of a barbeque is such that many of the surfaces are hot to touch, the positioning of the barbeque should take into consideration the possibility of accidental hand or body contact.

# Putting your Barbeque in an Enclosure

This appliance must only be used in an above ground, open air situation with natural ventilation, without stagnant areas, where gas leakage and products of combustion are rapidly dispersed by wind and natural convection. **Any enclosure in which the appliance is used must comply with one of the following:**

- An enclosure with walls on all sides, but at least one permanent opening at ground level and no overhead cover. SEE EXAMPLE 1
- Within a partial enclosure that includes an overhead cover and no more than two walls.
- SEE EXAMPLE 2 & 3
- Within a partial enclosure that includes an overhead cover and more than two walls, the following shall both apply: (1) At least 25% of the total wall area is completely open and (2) at least 30% of the remaining wall area is open and unrestricted SEE EXAMPLE 4 & 5
- In the case of balconies, at least 20% of the total of the side, back and front wall areas shall be and remain open and unrestricted



## Installation

- Do not obstruct any ventilation ports on the body of the hood of the barbeque.
- The gas cylinder must be kept out of direct sunlight and away from any heat sources.
- During a gas cylinder swap or refill ensure that all control knobs are in the **OFF** position and there are no naked flames in close proximity.
- Gas hoses must NOT be twisted, kinked or under any form of tension. The gas hoses should hang freely with no bends, folds or kinks.
- No part of the flexible hose should come into contact with any part of the barbeque that will become hot during operation.
- A regular inspection of the hose should be made to ensure that it is not cracking, breaking cutting or deteriorating in any other way.
- Any damage to the hose requires an immediate replacement from your local agent or gas expert.

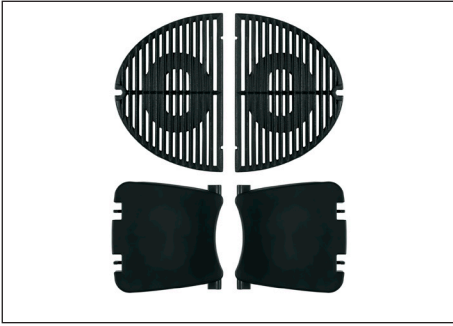
## Assembling your Barbeque

Start by unpacking the barbeque, and placing it on a flat surface. Be careful not to damage the painted finish.

Check that you have all the correct parts.

Remove all packaging materials and dispose of thoughtfully.





Installation is simple and only requires putting the two cooking grills in place and fitting the right and left hand shelves.



Two shelves are provided and are easily fitted into the corresponding slots located on both sides of the barbecue



Locate the shelf slot and angle the shelf so that it lines up.



Insert the shelf horizontally and push gently until fits into place.



The shelves can be easily fitted vertically for transport or storage. Attach the match holder and chain provided to the cross brace on the left side of the BBQ.



Finally insert the grease tray. Check regularly and replace when necessary.

## Gas Safety Checks

***Before assembling your barbeque, you should ensure your barbeque is suited to the type of gas that you are going to use.***

### Universal LPG, Also Known As Propane:

Barbeques suited to Universal LPG should have a red printed label saying “**UNIVERSAL LPG**”.

This is most commonly supplied as a portable 4 kg or 9 kg gas cylinder, which can be refilled or swapped at petrol stations or your place of purchase when empty.

Some homes have twin 45 kg LPG cylinders permanently installed near an outside wall. These cylinders supply LPG gas to many appliances in the home via copper pipes, and are filled as required by the gas supply company.

### Natural Gas:

Barbeques suited to natural gas should have a black printed label saying “**NATURAL GAS**”.

This is piped to your home in a similar fashion to water, so there are no cylinders to refill. You will need to contact your local gas company to determine if Natural Gas is available in your area.

### To Change the Gas Type of Your Barbeque

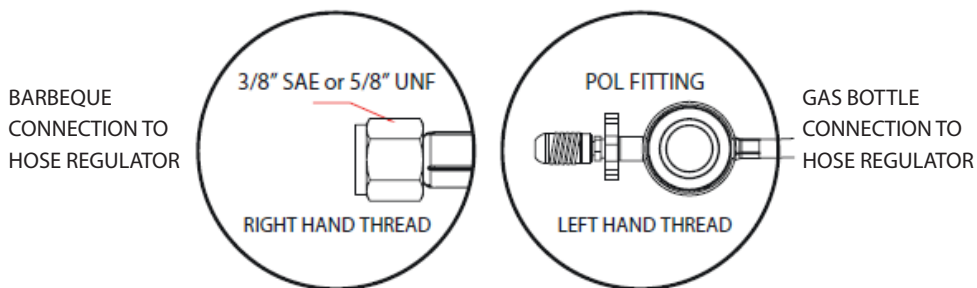
If your barbeque is manufactured to operate from universal LPG (Propane/Butane mix), it can be connected to LPG (Propane) without any alteration. If you wish to connect that barbeque to natural gas, it must be converted beforehand using the appropriate conversion kit available at your nearest Barbeques Galore store.

If your barbeque is manufactured to operate from Natural Gas and you wish to connect to LPG, it must be converted beforehand using the appropriate conversion kit available at your nearest Barbeques Galore store. Either conversion must be done by a licensed gas fitter or an authorised gas appliance technician. It is extremely dangerous to use the barbeque with the wrong type of gas. Fire or explosion may result. Conduct a leak test before use.

### For Portable LPG Cylinder Use:

- For cart models, do not attempt to connect to a gas cylinder before the BBQ is secured properly into its cart.
- Ensure that the model you have is labelled “**UNIVERSAL LPG**” and therefore designed to run from an LPG cylinder.
- Check that all the control knobs (including side burner) are in the **OFF** position before any attempt is made to connect the regulator to the gas cylinder.





- Double check that the gas cylinder valve is securely in the **OFF** position before attempting to connect the regulator to the gas cylinder.
- If using without a cart, attach the chain to the gas cylinder handle and to the cross brace on the right of the barbeque. This is to prevent the hose from being able to be over stretched.
- For cart models hook the LPG cylinder onto the right side of the cart, so that it hangs vertically.
- Take the hose that came with the barbeque, check that it has a rubber seal on the regulator end of it, and connect this end of the hose to the gas cylinder. You won't need a spanner here. Just turn the fitting in an **anticlockwise** direction and hand tighten as much as you can. This should seal it sufficiently.
- The regulator as supplied should be firmly tightened but care must be taken not to over-tighten the connections. The regulator as supplied is the correct regulator for this item.
- Ensure the gas cylinder remains upright at all times.
- Should there be any concern in making the correct regulator connection please contact after sales support help line mentioned in this manual.

## For Permanently Installed LPG Supply or Natural Gas Use:

Barbeques which are connected to twin 45 kg LPG cylinders or to Natural Gas must be installed by a licensed gasfitter, in accordance with the requirements of AS 5601, and local gas authority requirements.

There are two approaches to installation:

**Permanent Piped Connection:** Your barbeque may be permanently connected to the main gas lines or LPG cylinders via copper pipe. This must be done entirely by the gasfitter, in accordance with requirements of AS 5601, and local gas authority requirements. Your gasfitter will ensure that your barbeque is permanently connected to the supply via copper pipe, the gas pressure in the lines is adequate, pipe sizes are correct, all connections are

secure, and that all necessary components (such as secondary regulators and manual shut offs) are included where regulations require them. Once this is done, the barbeque cannot be moved. It is a permanent fixture of the property.

**Bayonet Point:** Alternatively, you can have the gas fitter terminate the gas line using a “bayonet point”. This allows you to connect and disconnect the barbeque using a special hose and bayonet termination. Such a hose is provided in the Natural Gas manufactured versions of this barbeque. For LPG installations, an appropriate hose is available from most barbeque retailers.

Even if your barbeque area already has a bayonet point, you will still need to call upon a gas fitter to ensure gas pressure is sufficient for your barbeque, and to ensure your barbeque functions correctly before leaving. Where a gas fitter is required, the gasfitter must test the safety and operation of the appliance before leaving, including gas pressure, ignition and burner operation.

Conduct a leak test before use.

- For cart models do not attempt to connect to the gas supply before the BBQ is secured properly into its cart.
- If connecting to a Natural Gas supply, ensure that the model you have is labelled “**NATURAL GAS**” and therefore designed to run from Natural Gas.
- If connecting to an LPG supply, ensure that the model you have is labelled “**UNIVERSAL LPG**” and therefore is designed to run from LPG.
- Check that all the control knobs (including side burner) are in the **OFF** position before any attempt is made to connect the hose to the gas supply.
- If using without a cart, attach the chain to a strong point at the bayonet connection point and to the cross brace on the right of the barbeque. This is to prevent the hose from being able to be over-stretched.
- Take the hose that came with the barbeque and connect to the bayonet outlet.
- Should there be any concern in making the correct connection, please contact your local Barbeques Galore store.

**To the installer:** You must instruct the consumer on safe operation, and ensure these instructions are left with the consumer before leaving the site.

## Leak Testing

**Naked flames (matches or other open flames) must not be used to check for leaks. This is a dangerous practice which must be avoided.**

### IF YOU SMELL GAS!

- Immediately isolate the gas supply by turning the gas off at the bottle.
- Extinguish all naked flames.
- Do not operate any electrical devices close to the barbeque.
- Check for leaks as described below.
- Ensure that local area is well ventilated to remove any excess gas.
- If the gas smell continues the barbeque should not be operated under any circumstances and it is important to immediately turn off gas cylinder and contact the after sales support provider.

***Before proceeding, it is important that you leak test the barbeque. Make sure all the barbeque control knobs are OFF.***

#### **Leak Tests Must be Carried Out in a Well Ventilated Area!**

If you have a portable gas cylinder, turn the cylinder ON by rotating the knob anti-clockwise. If you have a wall connection, ensure the bayonet fitting is connected and supply valve open. Spray or pour soapy water (about the same concentration as washing up water) along the gas line including:

- The gas connection at the inlet of the barbeque, hose connections and regulator connections.
- The gas hose or copper piping, including any joints, valve connections or bends in the piping, and the gas connection at the gas cylinder or the wall connection.
- If bubbles appear, there is a gas leak.
- If the leak is at a connection, check and retighten all gas connections and joints and retest. If the leak is anywhere else, or if you cannot resolve the leak, do not proceed. Immediately turn the gas supply off at the cylinder and contact your local Barbeques Galore store. If you have a bayonet connection, close the supply valve, remove the hose from the wall fitting and contact your local Barbeques Galore store.

***You can also check for leaks using a gas safety gauge, available at your Barbeques Galore store. This provides an easier and more convenient way to check for leaks.***

- After performing the soapy water test, please ensure the fittings are rinsed thoroughly with clean water.

***It is Recommended that a Leak Test be Carried Out on an Annual Basis. Check Cylinder Connection Every Time you Refill or Exchange Cylinders.***

## Lighting your Barbeque

***Before using the barbeque please ensure that you have fully read and understood the IMPORTANT HEALTH & SAFETY INFORMATION section of this manual.***

### **STARTING THE BARBEQUE:**

***Lighting the barbeque is easy, but must be done with due care.***

- Make sure that the gas is turned on at the cylinder, or supply valve to the barbeque.
- Ensure that the hood is fully open.
- Ensure that all the controls are in the **OFF** position prior to initiating the start up process.
- Make sure there are no obstructions of airflow to the gas unit. Spiders and insects can nest within and clog the burner/venture tube at the orifice. A clogged burner tube can lead to a fire beneath the appliance.

***Flame Thrower Ignition:*** This ignition system works by throwing a flame to the side of the burner to light it. Push the knob in and turn anticlockwise to the **HIGH** position. Hold the knob in until the burner ignites. You may need to push and turn the knob several times before ignition.

***Manual Ignition:*** You can light your barbeque manually by using the match holder provided to hold a lighted match next to one of the burners, then turning the burner control knob to **HIGH**. You can access the burner through the cooking grills.

If the burner doesn't light first go, return the knob to the **OFF** position and try a couple more times. If the burner still does not light, wait a few minutes to allow the gas to disperse before trying again. If satisfactory operation cannot be achieved check the troubleshooting guide on page 24. Otherwise, consult your retailer before proceeding.

***Note carefully: Failure to follow the lighting procedures correctly can lead to a hazardous condition.***

## Checking the Flames

The knobs have three basic positions: **OFF**, **HIGH** and **LOW**. You can achieve any flame height between **LOW** and **HIGH** by rotating the barbeque control knob between these positions.

## Controlling the Flames

Look into the barbeque so that you can see the flames. They should be a soft blue colour with yellow tips. Check with your retailer if in any doubt about the flames. Special note: "Blowback" is a situation where the flame burns inside the burner, towards the front. It can be recognised by a sharp roaring sound coming from the burner. It is not dangerous unless it is allowed to persist. If this occurs, simply turn the burner **OFF**, wait a few seconds, then relight.

## Turning Off (Shut Down)

When you've finished cooking, leave the burner controls on high for a maximum of 5 minutes to burn off excess grease from the burner and other surfaces. To turn the barbeque off, it is best to turn **OFF** at the supply valve first, and allow all the gas left in the hose to burn off. This will only take a couple of seconds. Then turn all burner controls clockwise to **OFF**.

***Note that failure to follow these shutdown procedures correctly can lead to a hazardous condition.***

It's recommended for good hygiene and safety to empty and clean the fat tray at the end of each cooking session.

## First Time Use

### Preparing To Cook

- Wash the grills (and optional hotplate) thoroughly in warm soapy water before first use. Dry thoroughly and then coat the top surface to prevent food sticking with canola oil or Nice & Easy which is salt free and available from your local Barbeques Galore store. Light the barbeque as described earlier and leave on **HIGH** for about 3 minutes to warm the barbeque up. Once the barbeque is warmed up, you should set the burners to your desired cooking temperature. You're now ready to start cooking up a feast. For ongoing protection of the cooking surfaces, follow the procedures in the Maintenance and Storing sections.
- A good tip is to maintain a layer of Fatsoak (available from your local Barbeques Galore store), in the fat tray. This keeps your barbeque clean and safer.

## Cooking Hints

### Controlling Flare Up

Flare-ups are caused by juices and oils from the food igniting in sudden bursts of flame that come up over the grill. A little bit of flare up as well as the resulting smoke is a good thing. It's what gives barbequed food that unique outdoor flavour. But if it happens too often, or if the flame lasts more than a couple of seconds, your food will char, so you need to control it:

- First of all, cooking very fatty foods may cause a lot of flare up. You should trim excess fat off your meat.
- Excess flaring usually means the burners controls are up too high, turning them down before flare-up occurs will usually prevent it happening in the first place.
- Moving the meat away from the flare up will also reduce the problem.
- Some very fatty foods are best cooked on the hotplate or indirectly with the hood closed. Never add more hotplates to the barbeque than the optional half hotplate available. Always remember to switch the barbeque **OFF** once you are finished cooking.

## Keeping Your Food Moist

***It's easy to keep your food moist and succulent on a barbeque by following these guidelines:***

- Use tongs instead of a fork when turning meat and poultry. A fork pierces the flesh and causes the juice to seep out.
- Resist the temptation to keep turning meat over. Juices tend to rise to the top of a piece of meat and then settle. Each time you turn the meat over, the juices are lost. It's better to quickly sear the meat on each side (about half a minute) then leave the meat to cook on one side at a time, turning once only before serving.
- Baste food with light marinade or oil a couple of times while cooking, though watch out for excessive flare-up if too much oil is used.
- Using the roasting hood as outlined later in these instructions is an excellent way to preserve moisture and succulence and takes the hard work out of barbeque cooking.

## Other Useful Tips

***You don't need to be an expert to serve up a tasty, good looking meal. Try these ideas:***

- Although cooking on the optional hotplate seems easier, cooking on the grill gives you a more authentic barbeque flavour. Natural juices vapourise, with the vapours penetrating back into the food.
- As an alternative to simply grilling, try marinating your meat, fish, poultry or vegetables first. The longer you leave the food to stand in the marinade, the more thoroughly the flavour will soak through. Several pre-made marinades are available and good recipes are easy to come by. It is best to leave food standing in the refrigerator.
- If you use a tomato or sugar based sauce for basting, apply it in the last 5-10 minutes of cooking. Using these sauces over a longer period of time will result in over-browning.
- To prevent meat from curling, slash the remaining fat at roughly 5cm intervals, taking care not to cut into the meat.
- Avoid burning or charring food as this has been shown to be unhealthy. Don't leave cooked food standing for too long before eating.

## Covered Cooking

### Cooking with the Hood Closed

Using the roasting hood traps heat, moisture and flavour that is normally lost on an open top barbeque. The Ziegler and Brown Twin Grill is designed with plenty of power to heat up quickly and cook lots of food with the hood either open or closed. With the hood closed and the barbeque already pre-heated, its important to then turn burners to **LOW** and to **OFF** as required, in order to not overheat the barbeque which could result in increased temperature hazards and burning your food.

For covered cooking, there are two basic ways to cook:

(A) Direct Cooking and (B) Indirect Cooking

### (A) Covered Cooking-Direct Cooking Method

This is when you place the food directly over the lit burners, either on the grill or the optional hotplate.

This method is great for frying, searing and grilling, especially with thinner cuts and foods that require shorter cooking time. Cooking takes less time than with the hood open, and the results are more tender and juicy. Preheat the barbeque with both burners on **HIGH** and the hood closed until the hood thermometer reads around 200°C. Importantly, once the barbeque is pre-heated and the hood is closed, heat is trapped around the food, so the burners will only need to be on **LOW** and in many cases, one of the burners **OFF**. Heat from the lit burner(s) will circulate all through the hood cooking quite evenly. Very fatty foods like sausages, can be cooked completely above the **OFF** burners, retaining juiciness and flavour without risk of flare-up that results only in burning. Quite close attention needs to be paid to the food, and the burners frequently reset to **LOW** or **OFF** as required to prevent overheating.

Don't be afraid to open the hood often to check progress. You are in full control of the temperature by turning burners higher, lower or **OFF** as required. The gas burners will respond instantly and powerfully to your control. Most importantly, use the hood thermometer as a warning guide that the barbeque is too hot. For grilling most foods, aim to keep the thermometer below around 200°C. Never let the temperature on the thermometer reach over 250°C or the barbeque may overheat and burn your food. A separate probe thermometer is available as an accessory from all Barbeques Galore stores. This takes the guesswork out of knowing when your food is cooked.

***Always remember to switch the barbeque OFF once you are finished cooking***



## (B) Covered Cooking-Indirect Cooking Method

This is when you place the food either above burners that are **OFF** or shielded from direct heat by using an optional drip pan and roasting rack or any other method of shielding the food from direct heat such as aluminium foil under a roasting rack, or a pizza stone. The other burners are adjusted in combinations of **LOW** and **OFF** to maintain constant lower roasting temperatures. This method is ideal for thicker cuts of meat, legs of lamb, pork, shoulders of beef, whole chickens and whole fish.

Moist, hot air rises from the lit burners and circulates around the food, trapping juices and flavour. Even cakes and breads can be cooked in your barbeque this way. Cooking lower and slower lets the food cook completely through without burning on the outside, yet remaining juicy and tender on the inside.

Preheat the barbeque with all burners on **HIGH** and the hood closed for 3 minutes or until the hood thermometer reads around 200°C. Best results are achieved by placing your roast in a rack and that rack in a drip pan. The roast is slightly elevated to allow heat to circulate all the way around, and water, wine, juices, herbs can be added to the drip pan to help flavour the roast and make a baste or gravy. Position the food on the grill over the **OFF** burner or for larger roasts, use a large drip pan positioned centrally in the barbeque. Importantly, once the barbeque is pre-heated and the hood is closed, heat is trapped around the food, so the burners that are on will mostly only need to be on **LOW** and in many cases, one of the burners turned **OFF**. Heat from the lit burner(s) will circulate all through the hood cooking quite evenly.

Importantly, use the hood thermometer as a warning guide that the barbeque is too hot. For roasting most foods, aim to keep the thermometer around 200°C to avoid burning.

For short periods of browning only, or for 10 minutes to make pork crackling, aim for around 240°C.

For smokey roasting, lower temperatures and longer cooking times will result in more intense smoke flavour and more tender meats. Aim for around 175°C.

Always use a probe thermometer to ensure that the meat has cooked all the way through to the right temperature. Don't ever let the temperature exceed 250°C on the hood thermometer or the barbeque may overheat and burn your food. A separate probe thermometer is available as an accessory from all Barbeques Galore stores. This takes the guesswork out of knowing when your food is cooked.

***Always remember to switch the barbeque OFF once you are finished cooking***

## Barbeque Tip

Great chefs will tell you that most meats need to “rest” away from the heat of the barbeque before slicing for a several minutes to allow the moisture pushed to the surface to redistribute. If you don’t rest the meat, moisture that has pooled near the surface will run out and the rest of the meat will be quite dry. Covering the meat in aluminium foil while its resting helps keep it from cooling too fast.

Use the few minutes while resting the meat to open the barbeque hood, turn both burners to **HIGH** for 2 or 3 minutes to burn off food residue. After 3 minutes, turn the barbeque **OFF**. While the cooking surfaces are still hot, take a long handled brush or scraper and remove remaining oil and food residue. You should use an oven mitt to avoid burns. 3 minutes now will save 30 minutes next barbeque.

***Always remember to switch the barbeque OFF once you are finished cooking.***

# Internal Meat Temperatures

## Beef

### ***Meat Probe temperature:***

Rare 140°F / 60°C. Medium 150°F / 66°C. Well-done 170°F / 77°C

## Lamb

### ***Meat Probe temperatures:***

Rare 140°F / 60°C. Medium 150°F / 65°C. Well-done 165°F / 75°C

## Veal

### ***Meat Probe temperatures:***

Rare not advised. Medium 155°F / 70°C minimum safe temperature. Well-done 165°F / 75°C

## Pork

### ***Meat Probe temperatures:***

Rare not advised. Medium 150°F / 65°C minimum safe temperature. Well-done 160°F / 70°C

## Poultry

### ***Meat Probe temperatures:***

Rare not advised. Medium 170-175°F / 75-80°C minimum safe temperature.

Well Done not advised; poultry tends to dry out over 175°F / 80°C

***To obtain correct temperature use an instant-read meat thermometer in the thickest part of the flesh, careful not to touch any bone.***

## Cooking Times

### Poultry

| <b>Cut of Meat</b>            | <b>Weight or Thickness</b> | <b>BBQ Method</b> | <b>Approx Cook Time</b> |
|-------------------------------|----------------------------|-------------------|-------------------------|
| Chicken (whole)               | 2 kg                       | Indirect          | 70-80 min               |
| Chicken (halved or quartered) | 2 kg total                 | Indirect          | 55-65 min               |
| Chicken (breasts, boneless)   | 150 g ea                   | Direct            | 12-15 min               |
| Chicken (breasts, boneless)   | 150 g ea                   | Indirect          | 23-25 min               |
| Wings                         | 120 g                      | Direct            | 23-30 min               |
| Wings                         | 120 g                      | Indirect          | 35-40min                |
| Cut Up Legs and Wings         | 2 kg                       | Direct            | 10 min                  |
| Cut Up Legs and Wings         | 2 kg                       | Indirect          | 40 min                  |
| Boneless Cubes (For Kebabs)   | 2.5 cm                     | Direct            | 12-15 min total         |
| Turkey (Whole)                | 4.5 kg                     | Indirect          | 2-3 hours               |

### Beef

| <b>Cut of Meat</b>                                     | <b>Weight or Thickness</b> | <b>BBQ Method</b> | <b>Approx Cook Time</b>      |
|--|----------------------------|-------------------|------------------------------|
| Roasts   | 2 kg                       | Indirect          | 50 min per kg (rare)         |
| Steaks (T-bone, New York, Porterhouse, Round, Sirloin) | 2.5 cm                     | Direct            | 5-6 min per side (rare)      |
| Rump Steak   | 3.5 cm                     | Direct            | 5-7 min per side (med rare)  |
| Minute Steaks  | 0.5 cm                     | Direct            | 1.5-2 min per side (rare)    |
| Ground Beef Patties                                    | 2.5 cm                     | Direct            | 4-5 min per side (rare)      |
| Ground Beef Patties                                    | 2.5 cm                     | Direct            | 5-6 min per side (med. rare) |
| Ground Beef Patties                                    | 2.5 cm                     | Direct            | 6-7 min per side (well done) |

Thermometer Temperature: Rare = 60°C, Medium = 66°C, Well-done = 77°C

### Seafood

| <b>Cut of Meat</b>                         | <b>Weight or Thickness</b> | <b>BBQ Method</b> | <b>Approx Cook Time</b> |
|--|----------------------------|-------------------|-------------------------|
| Whole Fish (with or without head and tail) | 2 kg                       | Indirect          | 30-35 min total         |
| Steaks & Fillets                           | 2 cm                       | Direct            | 3-4 min per side        |
| Prawns                                     | Medium sized               | Direct            | 1.5-2 min per side      |
| Lobster Tails                              | 300 g                      | Direct            | 9-13 min                |

Fish is done when flakes easily when prodded with a fork or knife in the thickest part.

Frozen fillets should not be thawed before cooking. Cooking times will be approximately double that of fresh fish.

## Maintenance - Cleaning Your Barbeque

***Your barbeque will look better and last longer if you keep it clean. Follow these simple steps:***

- Throwing cold water over any hot surface of the barbeque is NOT recommended and is potentially dangerous.
- Avoid handling and touching hot parts of the barbeque.

### ***The Cooking Surface:***

Once cooking is finished a burn-off process to clean the barbeque should be as follows:

- Remove all excess burnt food with a long handled scraper or brush.
- Light both burners, set to the **HIGH** position and leave running with the hood fully open for approximately 5 minutes.
- During this 5 minute period most excess food, fat and juices should be burnt off making cleaning easier.
- The roasting hood must be left in the open position during the burn off period.
- Turn the barbeque **OFF** at the control knobs and at the gas supply valve.
- Using Bar-B-Chef Heavy Duty Cleaner and warm water, scrub the cooking surfaces with a long handled brush or scourer. Rinse thoroughly with fresh warm water.
- Once dry, store barbeque with the hood closed and out of the elements and direct sunlight.

### ***The Burners:***

- Occasionally the burner holes may get slightly clogged with grease and food particles. Leaving the burners on **HIGH** for a maximum of 5 minutes with the hood open after you've finished cooking will remove most of this.
- Check the burners periodically for more persistent blockages. In particular, you should ensure that the aeration vents are free of insect nests and spider webs.
- To clean the burners, once **OFF**, let them cool down and inspect them. If any of the holes are clogged, use a toothpick to unclog the holes.

### ***The Barbeque Firebox and Hood:***

- Regular care and maintenance of the barbeque firebox and hood will significantly increase its life and long term appearance.
- Excess grease and fat can be removed using Bar-B-Chef Heavy Duty BBQ Cleaner and warm water with a soft scraper (not metal edged). Do not use caustic cleaning agents as these can quickly damage surface coatings and gradually damage even metal finishes.
- Before cleaning the inside of the body it is advisable to cool, then remove the cooking surfaces and be careful not to get water into the burner holes.
- Care must be taken not to immerse the gas controls (manifold and injectors) in water.
- After cleaning and re-assembling the barbeque it is important to check that the barbeque functions correctly.

### ***The Drip Tray:***

- You should change the fat absorbent material regularly and keep the fat tray itself clean to prevent a build up of grease. If you don't do this, a fat fire can result. This can be quite dangerous, and will certainly void the warranty on your barbecue.
- A good tip is to line the bottom of the fat tray with a layer of Fatsoak (available from your local Barbeques Galore store).

### ***Other Surfaces:***

- Once BBQ has cooled, wipe down as required with warm soapy water.

## Storing your Barbeque

Your barbecue is designed to be used outdoors. However, just like a car, you will prolong the life of the appliance if you store it out of direct exposure to the elements when not in use. Ideally:

- Place a waterproof cover over it. These are available from all Barbeques Galore stores.
- Where possible, move the barbecue to a covered location. If you are storing it in a closed room (e.g. a shed or a garage) you should keep the cylinder away from any other cylinders or any cars, boats, motorcycles or any other petrol engines.
- If you don't intend to use it for a few months, lightly spray all surfaces with canola oil. This will help protect the surface from deterioration.

## Servicing your Barbeque

Apart from cleaning, your barbecue is a fairly low maintenance item. A couple of things are worth looking at though. Remember to turn **OFF**, cool the BBQ down and disconnect the gas before any maintenance is carried out.

- If there are any signs of wear or cracking in the barbecue hose, you will need to replace it immediately. Ensure you replace it with a hose and regulator purchased from Barbeques Galore to ensure proper gas connection compatibility. Connect the nut of the hose to the gas inlet on the right side of the barbecue. You **MUST** use a spanner to tighten it properly. Do not use sealing tape. The connection is designed to seal properly without it. Perform a leak test as explained in the installation section before using.
- If your barbecue uses a flexible hose to connect to the gas, check the rubber O-ring on the regulator end of the hose assembly at least once a year. If it appears worn or cracked, have it replaced.
- We recommend having your barbecue checked by an authorised service agent every 5 years. This is to ensure there are no leaks and that all components are still functioning correctly.

- If you use a portable LPG gas cylinder, you will need to have the cylinder serviced or replaced every ten years. The date of the last service should be stamped on the neck of the bottle.
- Occasionally you will need to remove your burners for cleaning or adjustment. To remove the burner, remove the two screws holding them in place, then pull the open end of the burner away from the gas jet at the front of the barbeque. Reverse this procedure to reinstall the burners making sure the burner venturi fits properly over the gas injector.

As you can see, it's easy to keep your barbeque in great shape so it can give you years of trouble free enjoyment.

## TROUBLE SHOOTING

| <b>Problem</b>  | <b>Possible Cause</b>   | <b>Prevention / Cure</b>  |
|---|---|---|
| Burner will not light   | No gas flow<br>Obstruction of gas flow<br><br>Burner is off the valve<br>Spider webs in venturi<br>Burner ports blocked                     | Check cylinder contents and refill<br>Clear burner tubes<br>Check for bent or kinked hose<br>Re-engage burner onto the valve.<br>Clean venturi<br>Clean burner ports              |
| Sudden drop in gas flow or reduced flame height                       | Cylinder out of gas.  | Check cylinder contents and refill  |
| Irregular flame pattern, flame does not run the full length of burner | Burner ports are blocked  | Clean burner ports  |
| Flame yellow or orange  | Burner may have residue<br>Spider webs in venturi<br>Food residue or grease on burner<br>Burner is off the valve<br>Salt in food / marinade | Burn on <b>HIGH</b> for 5 minutes with lid open.<br>Clean venturi<br>Clean burner<br><br>Re-engage burner onto the valve<br>No need to be concerned                               |
| Flame blow out in high or gusting winds                               | Turn front of BBQ to face wind<br>Low on gas  | Turn front of BBQ into the wind.<br>Check cylinder contents and refill  |
| Flare-up  | Grease build up<br>Excessive fat in meat<br>High cooking temperature  | Clean grill<br>Trim fat from meat before grilling<br>Lower temperature accordingly  |
| Persistent grease fire  | Grease trapped by food build-up around burner system  | Do not apply water. Turn knobs to <b>OFF</b> . Turn gas <b>OFF</b> at cylinder. Leave lid in closed position and let fire burn out. After grill cools, remove and clean all parts |
| Persistent flashback (fire is burning tubes)                          | Burner and/or burner tubes are blocked.   | Turn knobs to <b>OFF</b> . Clean burner and/or burner tube(s). Relight  |
| Inside of lid is peeling - like paint peeling                         | Baked on grease build up has turned to carbon and is flaking.   | Clean thoroughly  |



# Recipes

Anything you can cook in your oven you can do on a barbeque: roasts, breads, casseroles, pizzas, lasagne, are just a few of the possibilities. Here are some simple recipes to get you started.

## Kings Breakfast

*Serves 4*

*Cooking Time 10 - 15 minutes*

Accessories:

Zeigler and Brown Reversible Hotplate



### Ingredients

- 4 eggs
- 8 slices of bacon
- 3 or 4 large mushrooms
- 6 breakfast sausages
- 3 tomatoes, halved
- Oil
- Salt and pepper

### Preparation

1. Place a Zeigler & Brown hotplate into the BBQ, smooth side up. Preheat your BBQ using both burners on **HIGH**, hood closed until the temperature reaches 200°C. Open the hood turn both burners down to **LOW**.
2. Place the bacon on the hotplate and the sausages on the grill, keep turning as required.
3. After 6 minutes place the tomatoes and mushrooms on the grill for a further 4 minutes.
4. After another 4 minutes turn the tomatoes and mushrooms over, lightly oil the hotplate, add the eggs and cook to your liking.

***Always remember to switch the barbeque OFF once you are finished cooking.***

# Mates Steak

## with a Garlic Butter sauce

Serves 6

Cooking Time 10 - 20 minutes



### Ingredients

- 6 rump steaks (1.5 - 2 inch thick)
- Salt
- Cracked pepper
- Olive oil
- 2 cloves garlic - finely chopped
- 200g unsalted butter
- ½ teaspoon Worcestershire sauce
- 1 tablespoon chopped parsley

### Preparation

1. Preheat BBQ, both burners on **HIGH**, hood closed until temperature reaches 250°C.
2. Oil both sides of the steaks with and sprinkle salt and pepper on one side.
3. Place the steaks spiced side down onto the open grill for 3 to 4 minutes. Cook with the hood open, both burners on **HIGH**.
4. Salt and pepper the other side of the steaks. Flip steaks over and repeat grilling for 2 to 3 minutes on **HIGH**.
5. Check the steaks by pressing gently with the back of your tongs. Rare steaks will spring back quickly. Medium steaks will spring back slowly. Medium well-done and well-done steaks will not spring back.
6. Once cooked to your liking, cover steaks loosely with foil to rest for 5 minutes.

### Garlic Butter Sauce

1. Put the butter in a bowl and leave at room temperature until it is soft enough to work. Add the garlic, Worcestershire sauce, parsley and mix to combine thoroughly. Add salt and pepper to taste.
2. Using a spatula scrap the butter mixture on to a square of plastic wrap. Shape into a log and roll the mixture up in the plastic, twisting the ends.
3. Refrigerate until firm. When ready to use, remove wrap and slice into rounds. Place on hot steak just before serving.

**TIP:** Once rested place the steak back on the grill on **HIGH** for 20 seconds on each side if you like your steak served hot.

# Ziegler Kebabs

Serves 2

Cooking Time 15 - 20 minutes

Accessories:

Ziegler and Brown Flexible Skewers



## Ingredients

- 10 lamb chunks
- Salt and pepper
- Olive oil
- Assortment of vegetables your choice: corn, chillies, capsicum, zucchini, baby squash, mushrooms.

## Preparation

1. Preheat your BBQ using both burners on **HIGH** and the hood closed, to 200°C.
2. Using the Zeigler & Brown Flexible Skewers organise the lamb and vegetables so that the pieces are scattered.
3. Lightly brush with olive oil and season with salt and pepper to taste.
4. Open the hood, turn both burners down to **LOW**, cook the kebabs, turning as required for 15 minutes or until the lamb is cooked to your liking.

***Always remember to switch the barbeque OFF once you are finished cooking.***

# Lemon Dill Snapper

Serves 4

Cooking Time 45 - 55 minutes

Accessories:

Bar-B-Chef Fisharoo



## Ingredients

- 1 whole snapper (scaled and gutted)
- 300ml sour cream
- 1 lemon zested and juiced
- 1 lemon sliced
- ½ bunch fresh dill
- Parsley for presentation
- 1 banana leaf (or you can use aluminium foil)

## Preparation

1. Preheat your BBQ with both burners on **HIGH** and the hood closed to 200°C. Turn both burners to **LOW**.
2. Combine sour cream, lemon zest, lemon juice and chopped dill into a bowl. Add salt and pepper to taste.
3. Spread the mixture generously inside the fish.
4. Place the banana leaf or foil on the bottom of the Bar-B-Chef Fisharoo and lay the snapper on top. Place the sliced lemon pieces and parsley on top of the fish and close the Bar-B-Chef Fisharoo.
5. Place the Bar-B-Chef Fisharoo centrally in the BBQ, making sure both bottom legs are extended so that the fish is not in direct contact with the grill. The banana leaf or foil shields the fish from direct heat.
6. Close the hood and cook until you see flaking starting at the thickest part of the fish.
7. Let the fish rest, covered with foil for 10 minutes before serving.

**TIP:** Fish will continue to cook whilst covered and resting. Take the fish out of the BBQ once you see it flaking.

# Roast Beef Rack

*Serves: 6*

*Cooking Time: 60 minutes*

Accessories:

Bar-B-Chef Enamel Enamel Drip Tray

Bar-B-Chef Roast Holder

Bar-B-Chef Remote BBQ Thermometer



## Ingredients

- 3kg or 6 boned beef rib rack
- 1 butternut pumpkin
- 2 jacket potatoes
- 1 sweet potato (yam)
- 3 spring onions
- 1 bunch of rosemary
- 1 bunch of sage
- 1 cup red wine
- 250ml beef stock
- Salt and pepper
- Olive oil

## Preparation

1. Using both burners on **HIGH** and the hood closed, preheat your BBQ to 250°C.
2. Rub the beef with salt and pepper and olive oil. Cover the beef with the picked herbs
3. Peel and halve the onions, halve the potatoes and cut the pumpkin into small pieces. Pour the beef stock and the red wine into the Bar-B-Chef Enamel Drip Tray.
4. Place the beef on your Bar-B-Chef Roast Holder, position the onions, potatoes and pumpkin around the beef and place into the hot BBQ at about 250°C.
5. Insert the Bar-B-Chef BBQ Remote Thermometer and set for beef (medium rare or however you prefer) close the hood and cook for 15 minutes, then turn to 180°C and cook until the Bar-B-Chef Remote Thermometer tells you the desired temperature is reached.
6. Remove from the BBQ and cover with foil before serving

***Always remember to switch the barbeque OFF once you are finished cooking.***

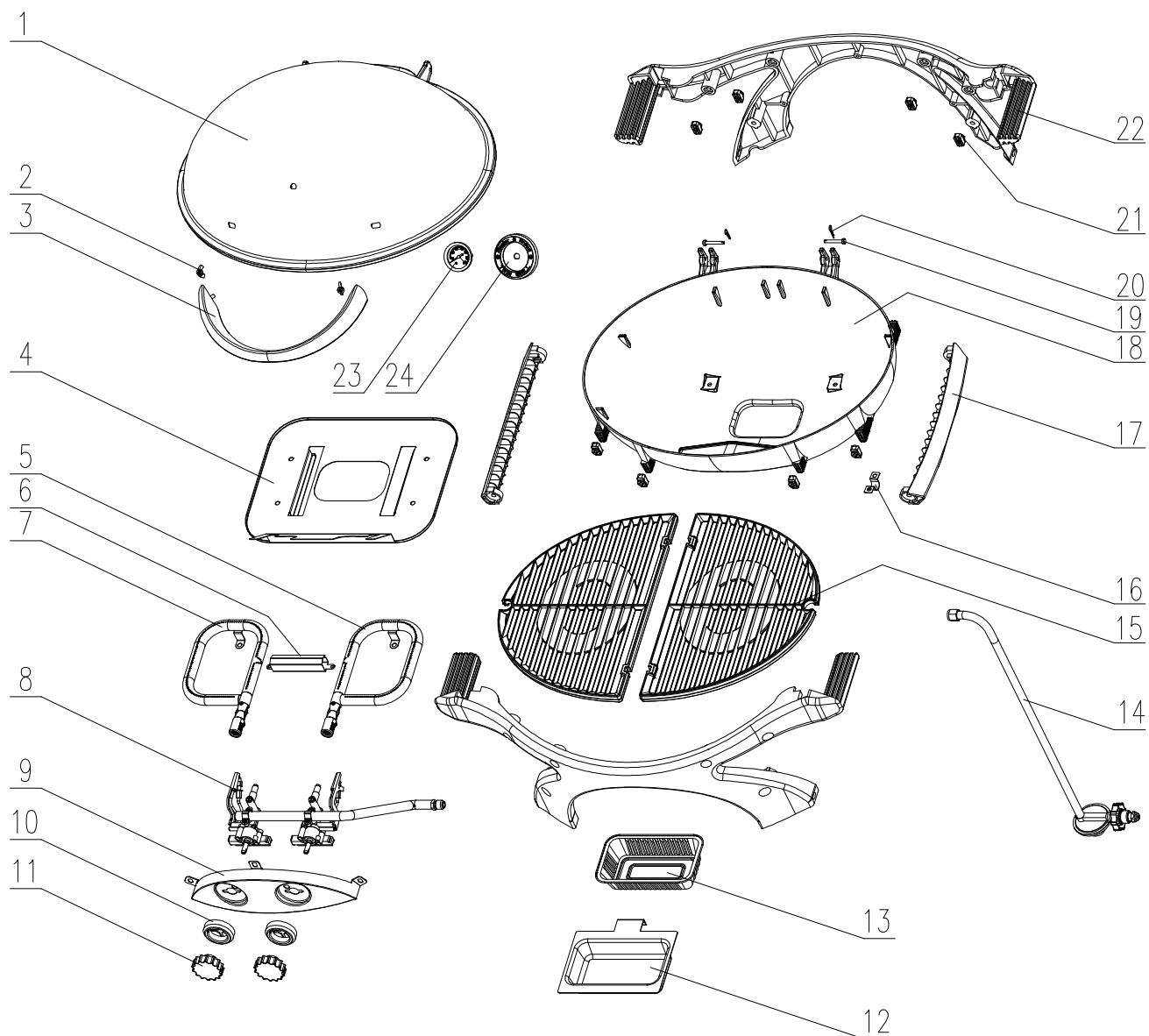








## Exploded Diagram



## Parts List

| Key | Part Description              | Qty | Code         | Key | Part Description                   | Qty | Code     |
|-----|-------------------------------|-----|--------------|-----|------------------------------------|-----|----------|
| 1   | HOOD - GUNMETAL GREY          | 1   | ZGTG0101GREY | 13  | GREASE BOX                         | 1   | BCFT5    |
| 1   | HOOD - CHILLI RED             | 1   | ZGTG0101RED  | 14  | HOSE & REGULATOR ASSEMBLY          | 1   | ZGTG0220 |
| 2   | WING NUT                      | 2   | ZGTG103      | 15  | COOKING GRILL                      | 2   | ZGTG0206 |
| 3   | HOOD HANDLE                   | 1   | ZGTG0102     | 16  | REGULATOR LOCATED BRACKET          | 1   | ZGTG0217 |
| 4   | HEATSHIELD (BOTTOM PANEL)     | 1   | ZGTG0212     | 17  | CROSS BRACE(CRADLE CONNECTION BAR) | 2   | ZGTG0216 |
| 5   | RIGHT BURNER ASSEMBLY         | 1   | ZGTG020800   |     |                                    |     |          |
| 6   | CROSS FIRE & SCREWS           | 1   | ZGTG0218     | 18  | FIREBOX                            | 1   | ZGTG0201 |
| 7   | LEFT BURNER ASSEMBLY          | 1   | ZGTG020700   | 19  | HOOD HINGE                         | 2   | ZGZTGHHS |
| 8   | MANIFOLD/VALVE ASSEMBLY       | 1   | ZGTG0215     | 20  | SPLIT PIN                          | 2   |          |
| 9   | CONTROL PANEL - GUNMETAL GREY | 1   | ZGTG0205GREY | 21  | FIREBOX SPACER                     | 8   | ZGTG0214 |
| 9   | CONTROL PANEL - CHILLI RED    | 2   | ZGTG0205RED  | 22  | CRADLE                             | 2   | ZGTG0202 |
| 10  | BEZEL FOR CONTROL KNOB        | 2   | ZGTG0204     | 23  | THERMOMETER & LOCK NUT             | 1   | ZGTG0105 |
| 11  | CONTROL KNOB                  | 2   | ZGTG020300   | 24  | BEZEL FOR THERMOMETER              | 1   | ZGTG0106 |
| 12  | GREASE TRAY HOLDER            | 1   | ZGTG0213     |     | HARDWARE BOLT PACK                 | 1   | PGZB002  |

# Ziegler & Brown Barbeque Accessories



Other available accessories include:

**Gas Safety Gauge:** Award winning safety device. Shuts gas off fast and completely in case of a major leak, and helps you detect minor ones without worrying about soapy water.

**Weather Cover:** Protect your investment with a cover that fits neatly over your barbeque and protects it from the elements as well as backyard pests.

And there are many more. Ultimately, anything you can cook in the kitchen, you can cook on your barbeque.

G.L.G. Australia Pty Ltd (ACN 001 185 002)

Building A2, Campus Business Park, 350-374 Parramatta Road, Homebush NSW 2140

Ph: 02 9735 4111

## More Information?

Need more information or assistance in any way? You can call your Barbeques Galore store where barbeque experts will be happy to help you. Just phone **1300 301 392** or visit our website at: [www.barbequesgalore.com.au](http://www.barbequesgalore.com.au)

**For Warranty information, refer to the enclosed Warranty Card.**

## TECHNICAL SPECIFICATIONS

Models – **ZGTGK, ZGTGRK**

Gas Type – **UNIVERSAL LPG**

Burner Injector Size – **0.85mm**

Burner Gas Consumption – **9.05 MJ per burner/hr**

Burner Gas Pressure – **2.75Kpa**

Total Gas Consumption – **18.1mj/hr**

Models – **ZGTGNGK, ZGTGRNGK**

Gas Type – **NATURAL GAS**

Burner Injector Size – **1.40mm**

Burner Gas Consumption – **10 MJ per burner/hr**

Burner Gas Pressure – **1.0Kpa**

Total Gas Consumption – **20mj/hr**

**IAPMO No GMK 10087**

|  |                               |   |                      |                          |
|--|-------------------------------|---|----------------------|--------------------------|
| <br><b>IAPMO No</b><br><b>GMK 10087</b> | <b>Model</b>                  | - | <b>ZGTGK, ZGTGRK</b> | <b>ZGTGNGK, ZGTGRNGK</b> |
|  | <b>Gas Type</b>               | - | <b>UNIVERSAL LPG</b> | <b>NATURAL GAS</b>       |
|  | <b>Burner Injector Size</b>   | - | <b>0.85mm</b>        | <b>1.40mm</b>            |
|  | <b>Burner Gas Consumption</b> | - | <b>9.05MJ/Hr</b>     | <b>10MJ/Hr</b>           |
|  | <b>Burner Gas Pressure</b>    | - | <b>2.75Kpa</b>       | <b>1Kpa</b>              |
|  | <b>Total Gas Consumption</b>  | - | <b>18.1MJ/Hr</b>     | <b>20MJ/Hr</b>           |

**WARNING: For Storage and Cylinder exchange, disconnect hose at the cylinder only, do not disconnect hose from the appliance.**

Minimum clearance from combustible surfaces:

Side of BBQ - **250mm**

Back of BBQ - **250mm**

Vertical above BBQ - **1500mm**

## BARBEQUE DIMENSIONS

|                      | <b>WIDTH (mm)</b> | <b>DEPTH (mm)</b> | <b>HEIGHT (mm)</b> |
|----------------------|-------------------|-------------------|--------------------|
| Barbeque only        | 780               | 550               | 467                |
| Barbeque and Trolley | 780               | 733               | 1109               |

- **NOTE:** The width increases by 196.5mm per shelf when the shelves are extended fully.

Air is admitted from a 120mm x 75mm hole underneath the firebox. When the hood is closed, air is also expelled out from the gap at the back of the barbeque between the hood and the firebox. Please ensure both these gaps remain unobstructed.

**Ziegler  
& Brown**

# TWIN GRILL

THE ULTIMATE PORTABLE BBQ

