

# Sloan Manual Flush Valves

## Royal & Regal Manually Operated Flush Valves for Toilets and Urinals

**Model 110 Toilet Flush Valves**

Select from 3.5, 1.6 & 1.28 gallons per flush models

- 1 1/2" vacuum breaker tail-piece;
- 1" pipe supply line.

**Model 186 Urinal Flush Valves**

Select from 1.5, 1.0, 0.5, 0.25 and 0.125 gpf models;

- 1 1/4" or 3/4" vacuum breaker tail-piece;
- 1" pipe supply line.

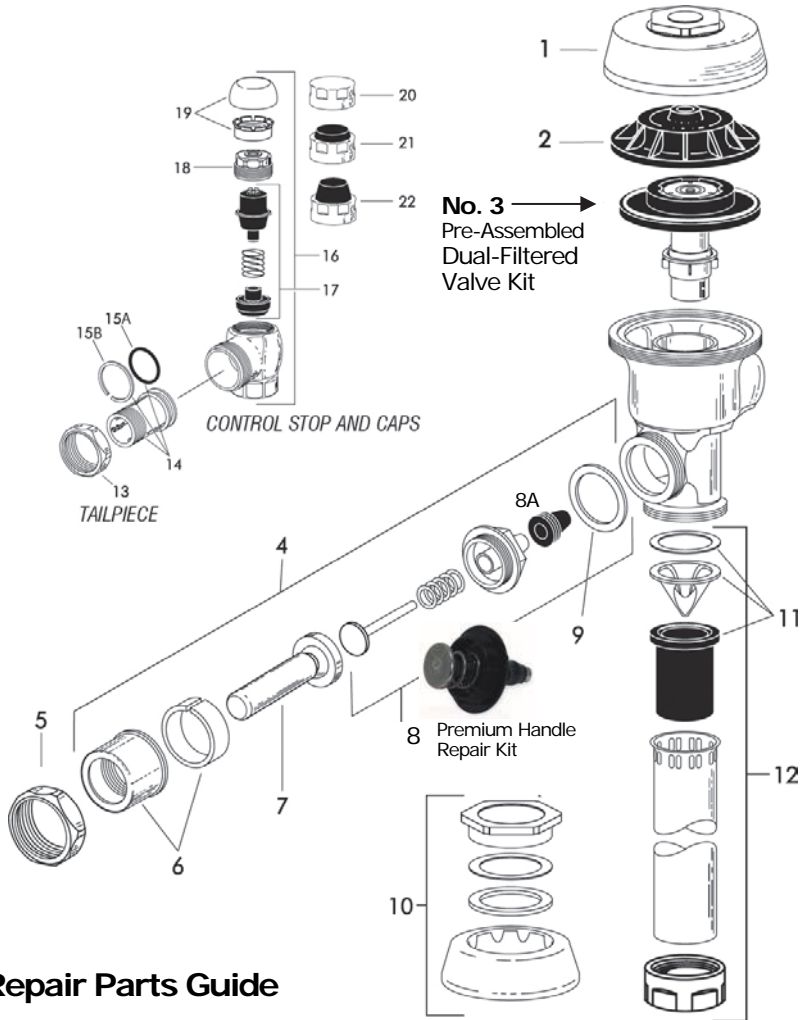
### Premium Royal vs. Regal XL Models

**The Royal models are premium flush valves:** Dual-filtered bypass flush diaphragms and free-spinning vandal-resistant stop valve supply covers. The Royal models also have a High back pressure Permex vacuum breaker flush connection. Other premium components throughout the Royal models means less repair!

Toilet Flush Valve Description	Order No.
<b>ROYAL Toilet Flush Valves — Institutional Quality</b>	
<b>Royal 110</b> , Centerline of supply 11.5" above fixture, 3.5 gallons per flush	<b>SN1005</b>
<b>Royal 111</b> , same as 110 but for low consumption 1.6 gallons per flush toilets	<b>SN1005A</b>
<b>Royal 111-1.28</b> , same as 110 but for high efficiency 1.28 gallons per flush toilets	<b>SN1005B</b>
<b>Royal 113</b> , Centerline of supply 16" above fixture, 3.5 gallons per flush	<b>SN1006</b>
<b>Royal 113-1.6</b> , same as 113, but 1.6 gallons per flush for low consumption toilet	<b>SN1006D</b>
<b>Royal 115</b> , Centerline of supply 24" above fixture, 3.5 gallons per flush	<b>SN1007</b>
<b>Royal 115-1.6</b> , same as 115, but 1.6 gallons per flush for low consumption toilet	<b>SN1007A</b>
<b>REGAL XL Toilet Flush Valves, Good Quality &amp; Value!</b>	
<b>Regal 110XL</b> , Centerline of supply 11.5" above fixture, 3.5 gallons per flush	<b>SN1004</b>
<b>Regal 111XL</b> , same as Sloan 110 but for low consumption 1.6 gallons per flush toilets	<b>SN1005C</b>
<b>Regal 111-1.28XL</b> , same as Sloan 110 but for high efficiency 1.28 gallons per flush toilets	<b>SN1005D</b>
<b>Regal 113XL</b> , Centerline of supply 16" above fixture, 3.5 gallons per flush	<b>SN1006G</b>
<b>Regal 113-1.6XL</b> , same as Sloan 113, 1.6 gallons per flush for low consumption toilet	<b>SN1006H</b>
<b>Regal 115XL</b> , Centerline of supply 24" above fixture, 3.5 gallons per flush	<b>SN1007C</b>
<b>Regal 115-1.6</b> , same as Sloan 115, but 1.6 gallons per flush for low consumption toilet	<b>SN1007D</b>

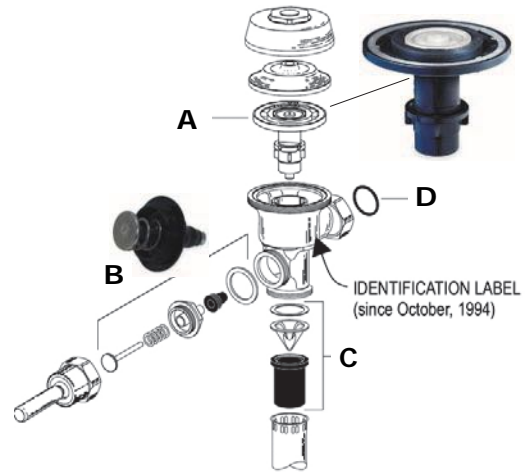
Urinal Flush Valve Description	Order No.
<b>ROYAL Urinal Flush Valves — Institutional Quality</b>	
<b>Royal 180</b> , Centerline 11.5" above fixture, 3.0 gallons per flush, 1 1/4" top mounted urinals	<b>SN1008</b>
<b>Royal 180-1.5</b> , same as 180 but 1.5 gallons per flush, for 1 1/4" top mounted urinals	<b>SN1008A</b>
<b>Royal 180-1.0</b> , same as 180 but 1.0 gallons per flush, for 1 1/4" top mounted urinals	<b>SN1008B</b>
<b>Royal 186</b> , Centerline 11.5" above fixture, 1.5 gallons per flush, 3/4" top mounted urinals	<b>SN1010</b>
<b>Royal 186-1.0</b> , same as 186 but 1.0 gallons per flush, for 3/4" top mounted urinals	<b>SN1010A</b>
<b>Royal 186-0.5</b> , same as 186, but 0.5 gallons per flush for 3/4" top mounted urinals	<b>SN1010B</b>
<b>Royal 186-0.25</b> , same as 186, but 0.25 gallons per flush for 3/4" top mounted urinals	<b>SN1010C</b>
<b>Royal 186-0.125</b> , same as 186, but 0.125 gallons per flush for 3/4" top mounted urinals	<b>SN1010F</b>
<b>REGAL XL Urinal Flush Valves, Good Quality &amp; Value!</b>	
<b>Regal 180XL</b> , centerline 11.5" above fixture, 3.5 gallons/flush, 1 1/4" top mounted urinals	<b>SN1008J</b>
<b>Regal 180-1.5XL</b> , same as Sloan 180 but 1.5 gallons per flush, for 1 1/4" top mounted urinals	<b>SN1008K</b>
<b>Regal 180-1.0XL</b> , same as Sloan 180 but 1.0 gallons per flush, for 1 1/4" top mounted urinals	<b>SN1008L</b>
<b>Regal 186XL</b> , centerline 11.5" above fixture, 1.5 gallons/flush, 3/4" top mounted urinals	<b>SN1010D</b>
<b>Regal 186-1.0XL</b> , same as Sloan 186 but 1.0 gallons per flush, for 3/4" top mounted urinals	<b>SN1010E</b>
<b>Regal 186-0.5XL</b> , same as Sloan 186 but 0.5 gallons per flush, for 3/4" top mounted urinals	<b>SN1010F</b>

# Sloan Royal "Premium Quality" Flush Valve Parts



## Complete Royal Valve Repair Kits

The Sloan "Premium Performance" complete flush valve repair kit includes [A] Dual-Filtered Valve Kit, [B] Triple-Seal handle repair kit, [C] High back pressure vacuum repair kit and the [D] O-ring for the control stop tailpiece. Select desired gallon-per-flush kits.



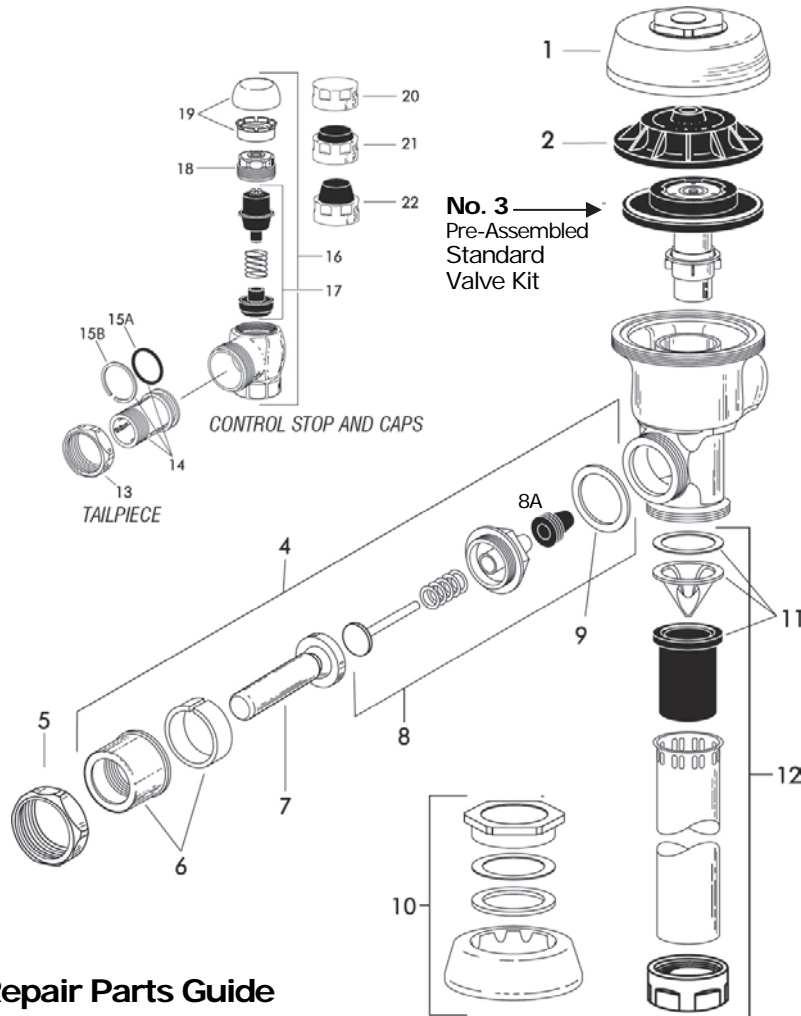
Description	Order No.
<b>For Toilets</b>	
A-1101-A Performance kit, 1.6 GPF	<a href="#">SO1077</a>
A-1102-A Performance kit, 3.5 GPF	<a href="#">SO1077A</a>
<b>For Urinals</b>	
A-1106-A Performance kit, 0.5 GPF	<a href="#">SO1078</a>
A-1107-A Performance kit, 1.0 GPF	<a href="#">SO1078A</a>
A-1108-A Performance kit, 1.5 GPF	<a href="#">SO1078B</a>

## Repair Parts Guide

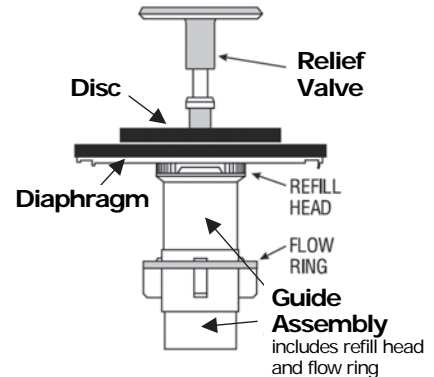
Item	Description	Order No.
1	A-72-CP, Chrome plated outside cover	<a href="#">SO1060</a>
2	A-71, Inside plastic cover	<a href="#">SO1055</a>
<b>Dual-Filtered Valve Kits (Item 3):</b>		
<b>3</b>	A-1041-A Kit allows 1.6 gallons per flush	<a href="#">SO1076B</a>
	A-1038-A Kit allows 3.5 gallons per flush	<a href="#">SO1076A</a>
	A-1045-A Kit allows 1.28 GPF, high efficient toilets	<a href="#">SO1076F</a>
	A-1043-A Kit allows 0.5 gallons per flush	<a href="#">SO1076D</a>
	A-1047-A Kit allows 0.25 GPF, high efficient urinals	<a href="#">SO1076G</a>
	A-1042-A Kit allows 1.0 gallons per flush	<a href="#">SO1076C</a>
	A-1037-A Kit allows 1.5 gallons per flush	<a href="#">SO1076</a>
4	B-73-A, "Triple Seal" handle assembly	<a href="#">SO1109</a>
5	A-6, Chrome plated handle coupling	<a href="#">SO1010</a>
6	B-7-A, Chrome plated socket assembly	<a href="#">SO1080</a>
7	B-74-A, Chrome plated handle grip only	<a href="#">SO1109A</a>
8	B-51-A, "Triple Seal" handle repair kit	<a href="#">SO1106</a>
8A	B-39, Handle seal only	<a href="#">SO1095</a>
9	A-31, Handle gasket	<a href="#">SO1030</a>
10	F-5-A, 3/4" Chrome plated spud coupling assembly	<a href="#">SO1195</a>
	F-5-A, 1 1/4" Chrome plated spud coupling assembly	<a href="#">SO1200</a>
	F-5-A, 1 1/2" Chrome plated spud coupling assembly	<a href="#">SO1205</a>
11	V-651-A, High back pressure vacuum breaker kit	<a href="#">SO1386</a>
12	V-600-AA, 3/4" x 9" vacuum breaker, 9" tailpiece	<a href="#">SO1361</a>
	V-600-AA, 1 1/4" x 9" vacuum breaker, 9" tailpiece	<a href="#">SO1372</a>
	V-600-AA, 1 1/2" x 9" vacuum breaker, 9" tailpiece	<a href="#">SO1386</a>

Item	Description	Order No.
13	H-550, Chrome plated stop coupling	<a href="#">SO1237</a>
14	H-551-A, Chrome plated adjustable tailpiece, 2-1/16" long	<a href="#">SO1240</a>
15A	H-553, O-Ring	<a href="#">SO1260</a>
15B	H-552, Locking Ring	<a href="#">SO1253</a>
16	H-700-A, Chrome plated 1" control stop	<a href="#">SO1280</a>
	H-700-A, Chrome plated 3/4" control stop	<a href="#">SO1275</a>
17	H-541-A, Control stop repair kit for H-700-A 1" and 3/4", also for the H-600-A 1" control stops	<a href="#">SO1250</a>
	H-543-A, Control stop repair kit, used with the H-600-A 3/4" control stops	<a href="#">SO1235</a>
18	H-622, Chrome plated bonnet for the H-700-A 1" & 3/4", and the H-600-A 1" control stops	<a href="#">SO1274</a>
	H-577, Chrome plated bonnet, used with the H-600-A 3/4" control stops	<a href="#">SO1272</a>
19	H-1010-A, <u>Vandal resistant</u> control stop cap, for H-700-A 1" & 3/4", the H-600-A 1" control stops	<a href="#">SO1258</a>
	H-1009-A, <u>Vandal resistant</u> control stop caps, used with the H-600-A 3/4" control stops	<a href="#">SO1257</a>
20	H-573, Control stop cap, standard, for the H-700-A 1" & 3/4", and H-600-A 1" control stops	<a href="#">SO1270</a>
	H-582, Control stop cap, standard, used with the H-600-A 3/4" control stops	<a href="#">SO1265</a>
21	H-574, Control stop cap with bumper	<a href="#">SO1262</a>
22	H-576, Control stop cap with extended bumper	<a href="#">SO1263</a>

# Sloan Royal & Regal "Standard" Flush Valve Parts



## Individual Sloan Standard Flush Valve Repair Parts



Valve Kits (No. 3) include all the items above pre-assembled for fast installation & complete valve repair.

Individual Valve Repair Parts	Order No.
Relief Valve for standard toilet. A-19-AC	<a href="#">SO1020</a>
Relief Valve for standard urinal. A-19-AU	<a href="#">SO1025</a>
Relief Valve for low-consumption toilet and urinal valves with "LC" stamped on outside cover. A-19-ALCM	<a href="#">SO1026</a>
Disc on top of diaphragm. A-15-A	<a href="#">SO1015</a>
Diaphragm only, Single-Filtered, A-156-A	<a href="#">SO1065</a>
Diaphragm Kit, includes diaphragm, disc, handle seal and handle gasket. A-156-AA	<a href="#">SO1070</a>
Guide Assembly, A-163-A	<a href="#">SO1075</a>

## Repair Parts Guide

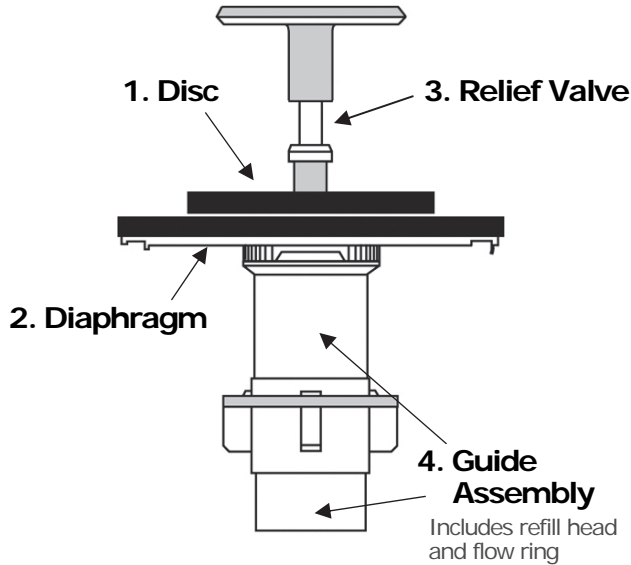
Item	Description	Order No.
1	A-72-CP, Chrome plated outside cover	<a href="#">SO1060</a>
2	A-71, Inside plastic cover	<a href="#">SO1055</a>
<b>Standard Valve Kits (Item 3):</b>		
<b>3</b>	<b>A-36-A</b> , Kit allows 4.5 gallons per flush, toilet	<a href="#">SO1040</a>
	<b>A-37-A</b> , Kit allows 1.5 gallons per flush, urinal	<a href="#">SO1045</a>
	<b>A-38-A</b> , Kit allows 3.5 gallons per flush, toilet	<a href="#">SO1050</a>
	<b>A-41-A</b> , Kit allows 1.6 gallons per flush, toilet	<a href="#">SO1052</a>
	<b>A-42-A</b> , Kit allows 1.0 gallons per flush, urinal	<a href="#">SO1053</a>
	<b>A-43-A</b> , Kit allows 0.5 gallons per flush, urinal	<a href="#">SO1053A</a>
<b>A-47-A</b> , Kit allows 1.28 GPF, high efficient toilet	<a href="#">SO1053C</a>	
4	B-73-A, "ADA" approved handle assembly	<a href="#">SO1109</a>
5	A-6, Chrome plated handle coupling	<a href="#">SO1010</a>
6	B-7-A, Chrome plated socket assembly	<a href="#">SO1080</a>
7	B-32, Chrome plated handle grip only	<a href="#">SO1085</a>
8	B-50-A, Handle repair kit	<a href="#">SO1105</a>
8A	B-39, Handle seal only	<a href="#">SO1095</a>
9	A-31, Handle gasket	<a href="#">SO1030</a>
10	F-5-A, 3/4" Chrome plated spud coupling assembly	<a href="#">SO1195</a>
	F-5-A, 1 1/4" Chrome plated spud coupling assembly	<a href="#">SO1200</a>
	F-5-A, 1 1/2" Chrome plated spud coupling assembly	<a href="#">SO1205</a>
11	V-551-A, vacuum breaker repair kit	<a href="#">SO1385</a>
12	V-500-AA, 3/4" x 9" vacuum breaker, 9" tailpiece	<a href="#">SO1360</a>
	V-500-AA, 1 1/4" x 9" vacuum breaker, 9" tailpiece	<a href="#">SO1370</a>
	V-500-AA, 1 1/2" x 9" vacuum breaker, 9" tailpiece	<a href="#">SO1375</a>

Item	Description	Order No.
13	H-550, Chrome plated stop coupling	<a href="#">SO1237</a>
14	H-551-A, Chrome plated adjustable tailpiece, 2-1/16" long	<a href="#">SO1240</a>
15A	H-553, O-Ring	<a href="#">SO1260</a>
15B	H-552, Locking Ring	<a href="#">SO1253</a>
16	H-700-A, Chrome plated 1" control stop	<a href="#">SO1280</a>
	H-700-A, Chrome plated 3/4" control stop	<a href="#">SO1275</a>
17	H-541-A, Control stop repair kit for H-700-A 1" and 3/4", also for the H-600-A 1" control stops	<a href="#">SO1250</a>
	H-543-A, Control stop repair kit, used with the H-600-A 3/4" control stops	<a href="#">SO1235</a>
18	H-622, Chrome plated bonnet for the H-700-A 1" & 3/4", and the H-600-A 1" control stops	<a href="#">SO1274</a>
	H-577, Chrome plated bonnet, used with the H-600-A 3/4" control stops	<a href="#">SO1272</a>
19	H-1010-A, <u>Vandal resistant</u> control stop cap, for H-700-A 1" & 3/4", the H-600-A 1" control stops	<a href="#">SO1258</a>
	H-1009-A, <u>Vandal resistant</u> control stop caps, used with the H-600-A 3/4" control stops	<a href="#">SO1257</a>
20	H-573, Control stop cap, standard, for the H-700-A 1" & 3/4", and H-600-A 1" control stops	<a href="#">SO1270</a>
	H-582, Control stop cap, standard, used with the H-600-A 3/4" control stops	<a href="#">SO1265</a>
21	H-574, Control stop cap with bumper	<a href="#">SO1262</a>
22	H-576, Control stop cap with extended bumper	<a href="#">SO1263</a>



# Individual Parts for Sloan Manual Flush Valves

## Valve Head Repair Parts



### 1. Valve Disc Only

Description	Order No.
A-15-A Disc, goes on top of diaphragm	<b>SO1015</b>

### 2. Diaphragms & Kit

Description	Order No.
A-156-A, Standard diaphragm only for "Royal" & "Regal" manual flush valves.	<b>SO1065</b>
A-156-AA Kit, Standard diaphragm <b>plus</b> the A-15-A disc <b>and</b> B-39 handle seal for "Royal" and "Regal" manually operated flush valves.	<b>SO1070</b>

### 3. Relief Valves



Description	Order No.
A-19-AC, Relief valve for standard toilet flush valves	<b>SO1020</b>
A-19-AU, Relief valve for standard urinal flush valves	<b>SO1025</b>
A-19-ALC, Relief valve for low consumption urinal & toilet flush valves marked "LC" on valve cover	<b>SO1026</b>

### 4. Guide Assemblies



Description	Order No.
A-163-A Guide Assembly for Toilets & Urinals	<b>SO1075</b>

## Replacement Handle Parts

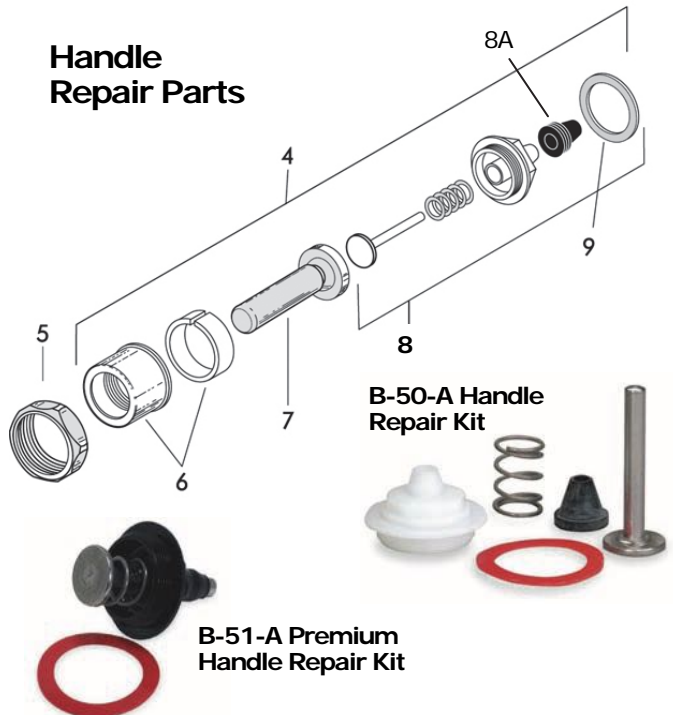
Handle repair parts diagram below

Item No.	Description	Order No.
4	Standard length chrome plated handle assembly, Sloan No. B-32-A	<b>SO1090</b>
	ADA approved longer chrome plated handle assembly, Sloan No. B-73-A	<b>SO1109</b>
5	Handle coupling, chrome plated Sloan No. A-6	<b>SO1010</b>
6	Socket assembly, chrome plated Sloan No. B-7-A	<b>SO1080</b>
7	Standard length handle <u>grip</u> only, chrome plated, Sloan No. B-32	<b>SO1085</b>
	ADA approved longer handle <u>grip</u> only, chrome plated, Sloan No. B-74-A	<b>SO1109A</b>
8A	Item 8A, Standard handle seal can be used on all Sloan flush valves, Sloan No. B-39	<b>SO1095</b>
9	Handle gasket, A-31	<b>SO1030</b>

## Handle Repair Kits

Item No.	Description (See below diagram)	Order No.
8	B-50-A, Standard handle repair kit used on all Sloan manually operated flush valves	<b>SO1105</b>
	B-51-A, Premium handle repair kit with "Triple Seal" handle seal. Especially made for the "Royal" model of manually operated flush valves, but for use on all models: Last longer than the standard handle repair kit.	<b>SO1106</b>

### Handle Repair Parts



# More Repair Parts for Sloan Flush Valves

## Vacuum Breaker Assemblies

The "standard" **V-500 vacuum breaker assemblies** were provided with all Sloan "Royal" and "Regal" flush valves up to 1998. In January of 1998 Sloan began providing the high performance premium V-600 vacuum breaker assemblies on their "Royal" flush valves, while keeping the standard V-500 vacuum breaker on the more economically priced "Regal" model of flush valve.

**V-600 vacuum breaker assemblies** utilize vacuum breakers made from "Permax." This material better handles chlorine and ammonia, along with the higher back pressure from low consumption fixtures.

**V-500-A  
V-600-A**



**V-500-AA  
V-600-AA**



Description	Order No.
<b>Standard VB Assemblies</b>	
V-500-A, Vacuum breaker assembly <i>less tailpiece</i>	<b>SO1355</b>
V-500-AA, Vacuum breaker with 3/4" x 9" tailpiece	<b>SO1360</b>
V-500-AA, Vacuum breaker with 3/4" x 15" tailpiece	<b>SO1362</b>
V-500-AA, Vacuum breaker with 1" x 9" tailpiece	<b>SO1365</b>
V-500-AA, Vacuum breaker with 1-1/4" x 9" tailpiece	<b>SO1370</b>
V-500-AA, Vacuum breaker with 1-1/2" x 9" tailpiece	<b>SO1375</b>
V-500-AA, Vacuum breaker with 1-1/2" x 21-1/2" tailpiece	<b>SO1380</b>
V-500-AA, Vacuum breaker with 1-1/2" x 24-1/2" tailpiece	<b>SO1383</b>
<b>Premium VB Assemblies</b>	
V-600-A, Vacuum breaker assembly <i>less tailpiece</i>	<b>SO1375A</b>
V-600-AA, Vacuum breaker with 3/4" OD x 9" tailpiece	<b>SO1361</b>
V-600-AA, Vacuum breaker with 3/4" OD x 15" tailpiece	<b>SO1363</b>
V-600-AA, Vacuum breaker with 1 1/4" OD x 9" tailpiece	<b>SO1372</b>
V-600-AA, Vacuum breaker with 1 1/4" OD x 21 1/2" tailpiece	<b>SO1373</b>
V-600-AA, Vacuum breaker with 1 1/2" OD x 9" tailpiece	<b>SO1377</b>
V-600-AA, Vacuum breaker with 1 1/2" OD x 13 1/2" tailpiece	<b>SO1378</b>
V-600-AA, Vacuum breaker with 1 1/2" OD x 21 1/2" tailpiece	<b>SO1380G</b>

## O-Ring Style Tailpieces

Description	Order No.
Metal Lock Ring only	<b>SO1253</b>
Rubber O-Ring only	<b>SO1095</b>
Complete 2-1/16" long tailpiece	<b>SO1240</b>
Complete 3-1/16" long tailpiece	<b>SO1245</b>



Complete Tailpiece

## Coupling Assemblies



The coupling assembly includes all items pictured directly above

Description	Order No.
3/4" coupling assembly	<b>SO1145</b>
1" coupling assembly	<b>SO1150</b>
1 1/4" coupling assembly	<b>SO1155</b>
1 1/2" coupling assembly	<b>SO1160</b>
<b>Individual Repair Parts</b>	
3/4" rubber gasket	<b>SO1185</b>
1" rubber gasket	<b>SO1190</b>
1 1/4" rubber gasket	<b>SO1191</b>
1 1/2" rubber gasket	<b>SO1192</b>
3/4" plastic ring	<b>SO1165</b>
1" plastic ring	<b>SO1170</b>
1 1/4" plastic ring	<b>SO1175</b>
1 1/2" plastic ring	<b>SO1180</b>

## Spud Coupling Trim

Description	Order No.
3/4" spud coupling trim	<b>SO1195</b>
1" spud coupling trim	<b>SO1200</b>
1 1/4" spud coupling trim	<b>SO1205</b>
1 1/2" spud coupling trim	<b>SO1210</b>
<b>Individual Repair Parts</b>	
3/4" plastic ring	<b>SO1165</b>
1" plastic ring	<b>SO1170</b>
1 1/4" plastic ring	<b>SO1175</b>
1 1/2" plastic ring	<b>SO1180</b>
3/4" rubber gasket	<b>SO1185</b>
1" rubber gasket	<b>SO1190</b>
1 1/4" rubber gasket	<b>SO1191</b>
1 1/2" rubber gasket	<b>SO1192</b>



The spud coupling trim includes all items pictured directly above

## Pedal Button Flush Valve Repair Kit



Description	Order No.
B-40-A, Complete Kit	<b>SO1100</b>
B-39, Seal only	<b>SO1095</b>

## Vacuum Breaker Kits

Description	Order No.
V-551-A, standard vacuum breaker repair kit	<b>SO1095</b>
V-651-A, premium Permax vacuum breaker repair kit: Longer lasting!	<b>SO1106</b>

V651A



## Vacuum Breaker for "Old" Valves

Description	Order No.
For Flush Valves before 1971	
V-101-A, Repair Kit to convert old style (pre-1971) V100 vacuum breaker into a code compliant V-500 vacuum breaker.	<b>SO1325</b>



V101A

# Sloan Battery Powered Automatic Flush Valves

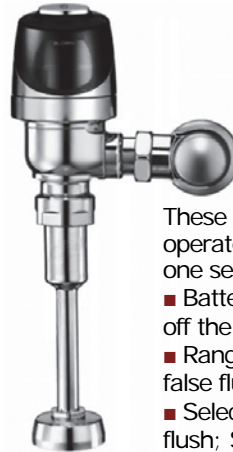
## G2 Optima Automatic, Battery Powered Flush Valves



**G2 Optima Plus**  
Battery-Powered  
Sensor Operated  
**Toilet Flush**  
**Valves**

These new G2 Sloan Optima Plus sensor operated toilet flush valves run for years on one set of 4 "AA" batteries.

- Batteries can be changed without turning off the water — 8 second arming delay.
- Courtesy flush override button allows for manual flushing; Range adjustment control.
- Select from 3.5, 1.6 or 1.28 GPF.
- Sentinel flush once every 24-hours.
- 1½" vacuum breaker tailpiece.
- 1" pipe water supply connection.

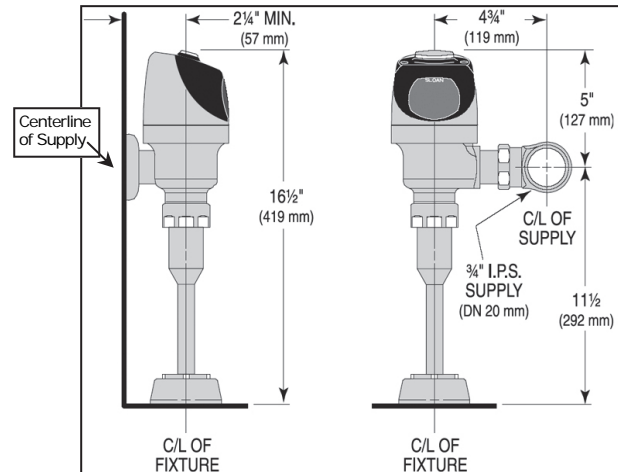
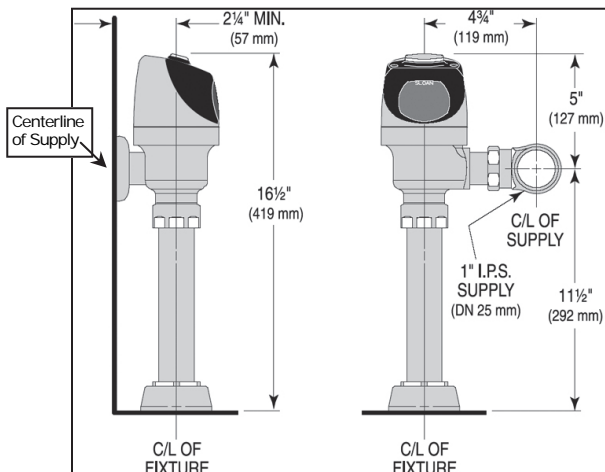


**G2 Optima Plus**  
Battery-Powered  
Sensor Operated  
**Urinal Flush**  
**Valves**

These new G2 Sloan Optima Plus sensor operated urinal flush valves run for years on one set of 4 "AA" batteries.

- Batteries can be changed without turning off the water — 8 second arming delay.
- Range adjustment control for eliminating false flushing and courtesy flush button.
- Select from 1.5, 1.0 or 0.5 gallons per flush; Sentinel flush every 24-hours.
- 1¼" or ¾" vacuum breaker tailpiece.
- ¾" pipe water supply connection.

¾" vacuum breaker tailpiece shown

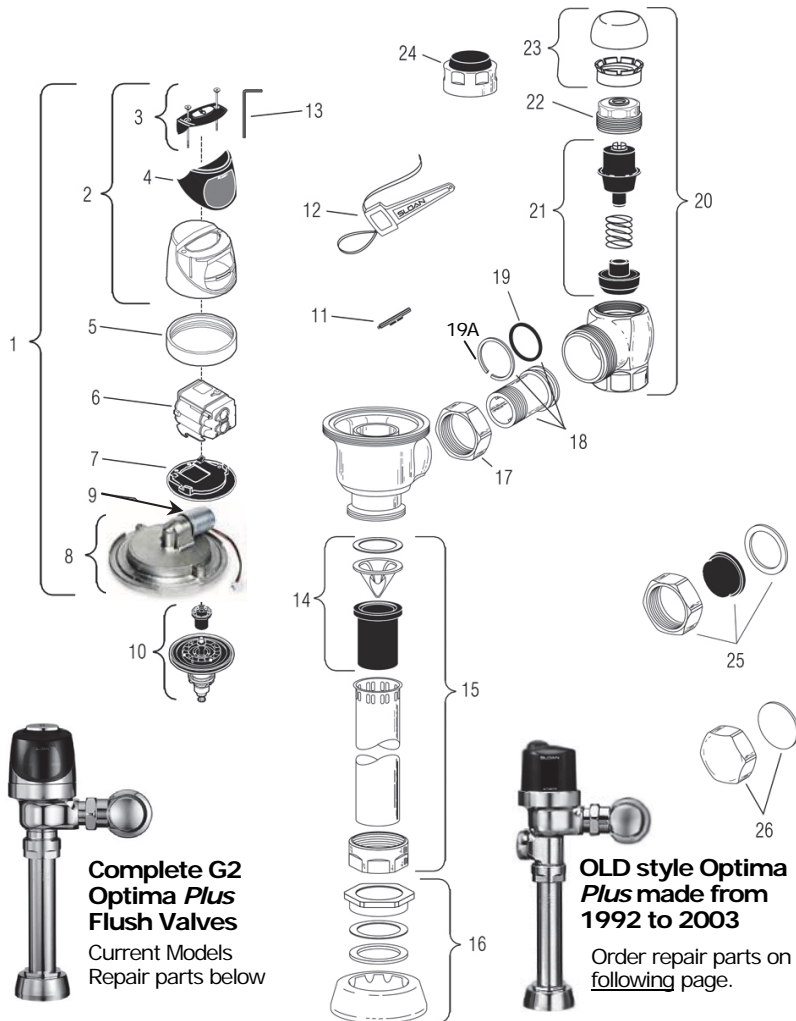


Description: Battery powered TOILET valves	Order No.
<b>G2 Optima Plus Toilet Flush Valves</b>	
<b>G2 8110</b> , Centerline of supply 11.5" above top of fixture, 3.5 gallons per flush, 1½" top connection	<b>SN1155</b>
<b>G2 8111</b> , same as 8110, but 1.6 gallons per flush for low consumption toilets, 1½" top connection	<b>SN1157</b>
<b>G2 8111-1.28</b> , same as 8110, but 1.28 gallons per flush for low consumption toilets, 1½" top connection	<b>SN1157A</b>
<b>G2 8113</b> , Centerline of supply 16" above top of fixture, 3.5 gallons per flush, 1½" top connection	<b>SN1158</b>
<b>G2 8113-1.6</b> , same as 8113, but 1.6 gallons per flush for low consumption toilet, 1½" top connection	<b>SN1158A</b>
<b>G2 8113-1.28</b> , same as 8113, but 1.28 gallons per flush for low consumption toilet, 1½" top connection	<b>SN1157T</b>
<b>G2 8115-1.6</b> , Centerline of supply 24" above top of fixture, 1.6 gallons per flush, 1½" top connection	<b>SN1157D</b>
<b>G2 8115-1.28</b> , Centerline of supply 24" above top of fixture, 1.28 gallons per flush, 1½" top connection	<b>SN1157H</b>
<b>G2 8116-1.6</b> , Centerline of supply 27" above top of fixture, 1.6 gallons per flush, 1½" top connection	<b>SN1158B</b>

Description: Battery powered URINAL valves	Order No.
<b>G2 Optima Plus Urinal Flush Valves</b>	
<b>G2 8180</b> , Centerline of supply 11.5" above fixture, 3.5 gallons per flush, 1¼" top mounted urinals	<b>SN1160</b>
<b>G2 8180-1.5</b> , same as 8180 but 1.5 gallons per flush, for 1¼" top mounted urinals	<b>SN1161</b>
<b>G2 8180-1.0</b> , same as 8180 but 1.0 gallons per flush, for 1¼" top mounted urinals	<b>SN1159</b>
<b>G2 8186</b> , Centerline of supply 11.5" above fixture, 1.5 gallons per flush, ¾" top mounted urinals	<b>SN1167</b>
<b>G2 8186-1.0</b> , same as 8186 but 1.0 gallons per flush, for ¾" top mounted urinals	<b>SN1166</b>
<b>G2 8186-0.5</b> , same as 8186, but 0.5 gallons per flush for ¾" top mounted urinals	<b>SN1164</b>
<b>For High Efficiency Urinals</b>	
<b>G2 8186-0.25</b> , same as 8186, but 0.25 gallons per flush for ¾" top mounted urinals	<b>SN1164E</b>
<b>G2 8186-0.125</b> , same as 8186, but 0.125 gallons per flush for ¾" top mounted urinals	<b>SN1164H</b>



# Sloan G2 Optima Plus Flush Valve Repair Parts



## Sloan G2 Optima Diaphragm Kits



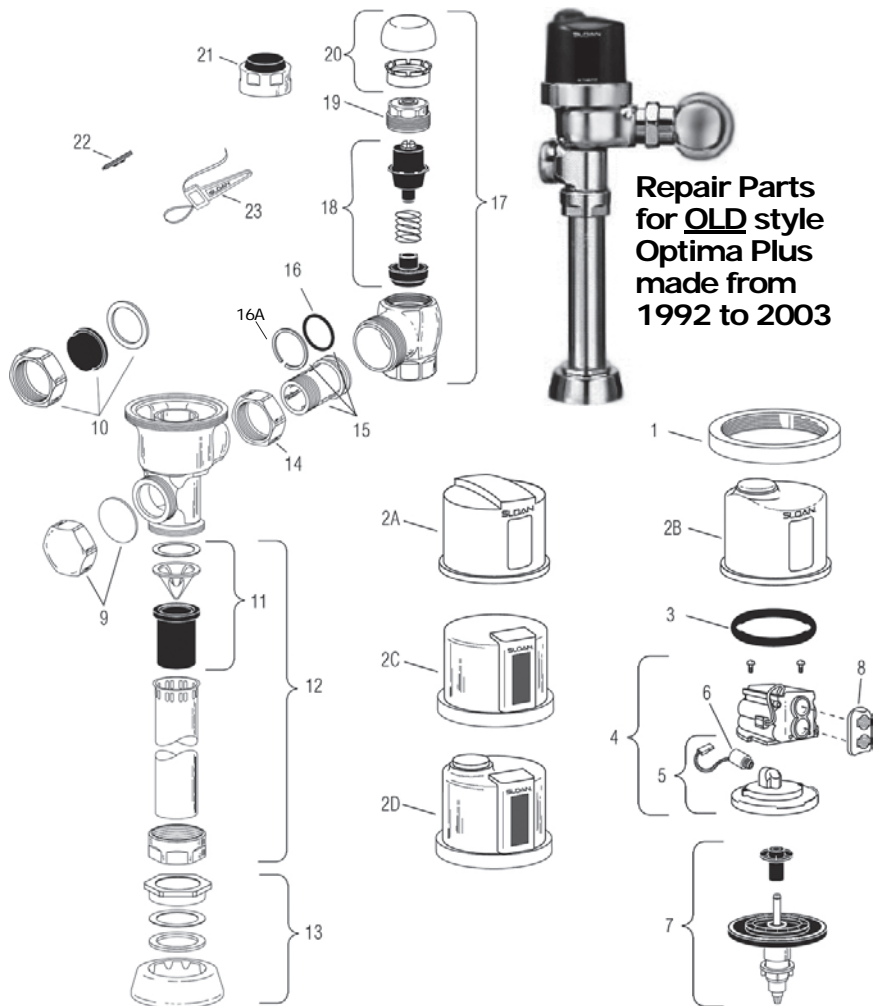

Flex Tube Diaphragm Kits	Order No.
For Urinal, 0.5 gpf (EBV-1023-A)	<a href="#">SO1115E</a>
For Urinal, 1.0 gpf (EBV-1022-A)	<a href="#">SO1115D</a>
For Urinal, 1.5 gpf (EBV-1022-A)	
For Urinals with 3.5 gpf and all Toilets With 1.6, 3.5 and 4.5 gpf (EBV-1020-A)	<a href="#">SO1115A</a>
Replacement Regulators Only	
For Urinal, 0.5 gpf (EBV-95, Green)	<a href="#">SO1133F</a>
For Urinal, 1.0 gpf (EBV-95, Green)	
For Urinal, 1.5 gpf (EBV-102-2, Black)	<a href="#">SO1133H</a>
For Urinal, 3.5 gpf (EBV-102-1, White)	<a href="#">SO1133G</a>
For Toilet, 1.6 gpf (EBV-95, Green)	<a href="#">SO1133F</a>
For Toilet, 3.5 gpf (EBV-102-1, White)	<a href="#">SO1133G</a>

The above repair parts fit the G2 Optima battery-powered flush valves: Introduced in May, 2003 to replace the first generation Optima Plus automatic flush valves made from 1992 until 2002.

Item	Individual Parts Description	Order No.
1	EBV-138-A, G2 cover/ring/sensor assembly — Toilet	<a href="#">SO1134T</a>
	EBV-139-A, G2 cover/ring/sensor assembly — Urinal	<a href="#">SO1134U</a>
2	EBV-142-A, Cover assembly	<a href="#">SO1134X</a>
3	EBV-130-A, Override button assembly with tool, screws	<a href="#">SO1134L</a>
4	EBV-131, Lens window cover	<a href="#">SO1134M</a>
5	EBV-14, Locking ring	<a href="#">SO1116A</a>
6	EBV-129-AC, G2 Complete Electronic Module (Toilets)	<a href="#">SO1134J</a>
	EBV-129-AU, G2 Complete Electronic Module (Urinals)	<a href="#">SO1134K</a>
7	EBV-134, Cover Rest plate	<a href="#">SO1134P</a>
8	EBV-145-A, G2 inside cover assembly with solenoid	<a href="#">SO1134Z</a>
9	EBV-136-A, Solenoid only (for G2 modules only)	<a href="#">SO1134R</a>
10	Valve repair kits and parts — See inset above	
11	EBV-91, Trim pot adjustment screwdriver	<a href="#">SO1116E</a>
12	EBV-22, Strap wrench for maintenance & service	<a href="#">SO1116F</a>
13	EBV-137, Hex wrench, 7/64 size (from your tool supply)	
14	V-651-A, Vacuum breaker repair kit	<a href="#">SO1386</a>
15	V-600-A, 3/4 x 9" chrome plated vacuum breaker	<a href="#">SO1361</a>
	V-600-A, 1 1/4 x 9" chrome plated vacuum breaker	<a href="#">SO1372</a>
	V-600-A, 1 1/2 x 9" chrome plated vacuum breaker	<a href="#">SO1377</a>

Item	Individual Parts Description	Order No.
16	F-5-A, 3/4 Spud coupling, chrome plated (CP)	<a href="#">SO11195</a>
	F-5-A, 1 1/4 Spud coupling, CP	<a href="#">SO1205</a>
	F-5-A, 1 1/2 Spud coupling, CP	<a href="#">SO1210</a>
17	H-550, Stop coupling, CP	<a href="#">SO1237</a>
18	H-551-A, Adjustable tailpiece 2-1/16" long, CP	<a href="#">SO1240</a>
19	H-553, O-Ring for tailpiece	<a href="#">SO1260</a>
19A	H-552, Locking ring	<a href="#">SO1253</a>
20	H-700-A, Water control stop complete, 1" CP	<a href="#">SO1280</a>
	H-700-A, Water control stop complete, 3/4" CP	<a href="#">SO1275</a>
21	H-541-A, Control stop kit for H-700-A 1" and 3/4" and H-600-A 1" screwdriver water control stops	<a href="#">SO1250</a>
	H-543-A, Control stop kit for H-600-A 3/4"	<a href="#">SO1235</a>
22	H-622, Bonnet for H-700-A 1" and 3/4" and H-600-A 1" screwdriver water control stops	<a href="#">SO1274</a>
	H-577, Bonnet for H-600-A 3/4" water control stop	<a href="#">SO1272</a>
23	H-1010-A, Vandal-resistant cap for H-700-A 1" and 3/4" and H-600-A 1" screwdriver water control stops	<a href="#">SO1258</a>
	H-1009-A, Vandal-resistant cap for H-600-A 3/4" water control stop	<a href="#">SO1257</a>
24	EBV-1019-A, Decorative stop cap, 3/4"	<a href="#">SO1134C</a>
	H-574, Decorative stop cap, 1"	<a href="#">SO1262</a>
25	EBV-1018-A, Handle cap — Decorative	<a href="#">SO1134B</a>
26	EBV-1019-A, Handle cap — Metal	<a href="#">SO1133</a>

# Sloan Optima Plus Valve Repair Parts, Old Style



## Optima Plus Diaphragm Kits

**Regulator Only**

**Flex Tube Diaphragm KIT**

**Flex Tube Diaphragm**  
Diaphragms *not* sold separately

Flex Tube Diaphragm Kits	Order No.
For Urinal, 0.5 gpf (EBV-1023-A)	<a href="#">SO1115E</a>
For Urinal, 1.0 gpf (EBV-1022-A)	<a href="#">SO1115D</a>
For Urinal, 1.5 gpf (EBV-1022-A)	<a href="#">SO1115A</a>
For Urinals with 3.5 gpf and <b>all</b> Toilets With 1.6, 3.5 and 4.5 gpf (EBV-1020-A)	<a href="#">SO1115A</a>
Replacement Regulators Only	
For Urinal, 0.5 gpf (EBV-95, Green)	<a href="#">SO1133F</a>
For Urinal, 1.0 gpf (EBV-95, Green)	<a href="#">SO1133F</a>
For Urinal, 1.5 gpf (EBV-102-2, Black)	<a href="#">SO1133H</a>
For Urinal, 3.5 gpf (EBV-102-1, White)	<a href="#">SO1133G</a>
For Toilet, 1.6 gpf (EBV-95, Green)	<a href="#">SO1133F</a>
For Toilet, 3.5 gpf (EBV-102-1, White)	<a href="#">SO1133G</a>

The above repair parts fit the Optima *Plus* battery-powered flush valves: The Optima *Plus* model was manufactured from 1992-2003. Replaced in 2003 by the G2 Optima battery-operated flush valves.

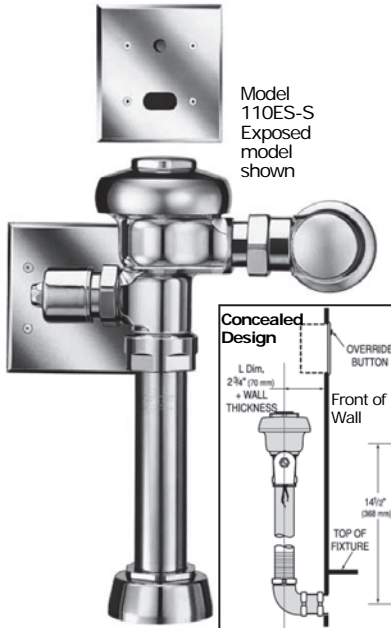
Item	Description	Order No.
1	EBV-14, Locking ring	<a href="#">SO1116A</a>
2A	EBV-11, Plastic Cover (Urinal)	<a href="#">SO1116</a>
2B	EBV-38-A, Plastic Cover with override button (Toilet)	<a href="#">SO1117</a>
2C	EBV-55-A, <u>Metal</u> Cover (Urinal)	<a href="#">SO1118</a>
2D	EBV-60-A, <u>Metal</u> Cover with override button (Toilet)	<a href="#">SO1118A</a>
3	EBV-67, Cover gasket	<a href="#">SO1116C</a>
4	EBV-146-A-U, Electronic Module (Urinal)	<a href="#">SO1114E</a>
	EBV-146-A-C, Electronic Module (Toilet)	<a href="#">SO1114B</a>
5	EBV-21-A, Inside cover assembly with solenoid	<a href="#">SO1116B</a>
6	EBV-144-A, Isolated solenoid operator	<a href="#">SO1133J</a>
7	See "Diaphragm Kits" chart above	
8	EBV-46-A, Beam deflector	<a href="#">SO1134</a>
9	EBV-1017-A, Handle cap—Metal	<a href="#">SO1133</a>
10	EBV-1018-A, Handle cap—Decorative	<a href="#">SO1134B</a>
11	V-651-A, Vacuum breaker repair kit	<a href="#">SO1386</a>
12	V-600-A, 3/4 x 9" vacuum breaker assembly	<a href="#">SO1361</a>
	V-600-A, 1 1/4 x 9" vacuum breaker assembly	<a href="#">SO1372</a>
	V-600-A, 1 1/2 x 9" vacuum breaker assembly	<a href="#">SO1377</a>

Item	Description	Order No.
	F-5-A, 3/4" spud coupling, chrome plated	<a href="#">SO1195</a>
13	F-5-A, 1 1/4" spud coupling, chrome plated	<a href="#">SO1205</a>
	F-5-A, 1 1/2" spud coupling, chrome plated	<a href="#">SO1210</a>
14	H-550, Stop coupling, chrome plated	<a href="#">SO1237</a>
15	H-551-A, Adjustable tailpiece, 2-1/16", chrome plated	<a href="#">SO1240</a>
16	H-553, O-Ring	<a href="#">SO1260</a>
17	H-700-A, Water control stop complete, 1" CP	<a href="#">SO1280</a>
	H-700-A, Water control stop complete, 3/4" CP	<a href="#">SO1275</a>
18	H-541-A, Control stop kit for H-700-A 1" and 3/4" <u>and</u> H-600-A 1" screwdriver water control stops	<a href="#">SO1250</a>
	H-543-A, Control stop kit for H-600-A 3/4"	<a href="#">SO1235</a>
19	H-622, Bonnet for H-700-A 1" and 3/4" <u>and</u> H-600-A 1" screwdriver water control stops	<a href="#">SO1274</a>
	H-577, Bonnet for H-600-A 3/4" water control stop	<a href="#">SO1272</a>
20	H-1010-A, Vandal-resistant cap for H-700-A 1" and 3/4" <u>and</u> H-600-A 1" screwdriver water control stops	<a href="#">SO1258</a>
	H-1009-A, Vandal-resistant cap for H-600-A 3/4" water control stop	<a href="#">SO1257</a>
21	EBV-1019-A, Decorative stop cap, 3/4"	<a href="#">SO1134C</a>
	H-574, Decorative stop cap, 1"	<a href="#">SO1262</a>
22	EBV-91, Adjustment screwdriver	<a href="#">SO1116E</a>
23	EBV-22, Disposable strap wrench	<a href="#">SO1116F</a>



# Sloan AC Electric Automatic Flush Valves

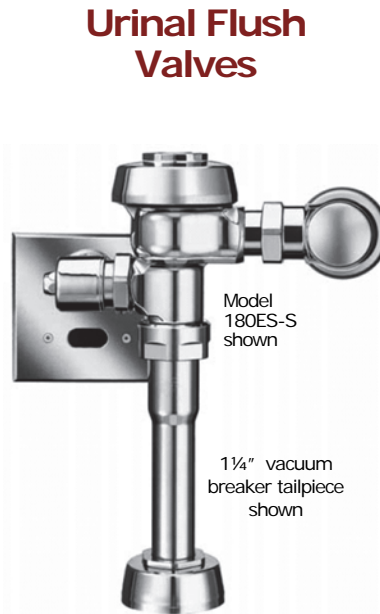
## AC Electrical Operated Flush Valves for TOILETS and URINALS



### Toilet Flush Valves

Select from 3.5 gallons per flush and 1.6 gpf Royal models.

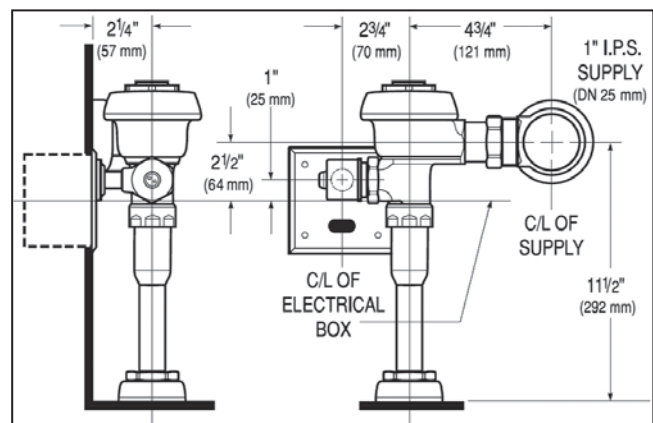
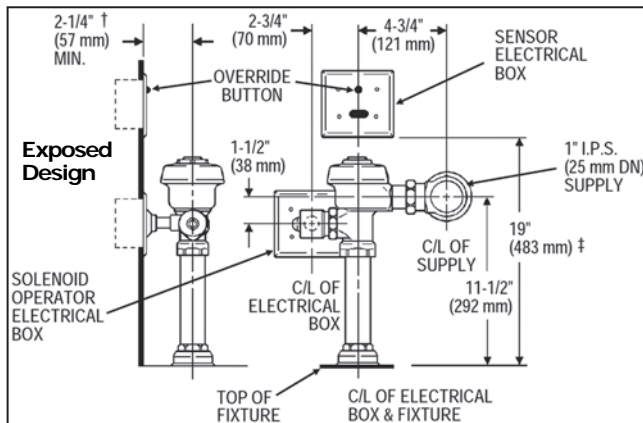
- 1/2" bottom or back connection (for concealed flush valve) to top or back supply of toilet.
- 1" pipe supply line.
- Self-Adaptive Infrared Sensor with Indicator Light
- User friendly three (3) second Flush Delay
- Courtesy Flush Override Button
- Chrome Plated Wall Cover Plates (for 2-gang Electrical Box) with Vandal Resistant Screws



### Urinal Flush Valves

Select from 1.5, 1.0 and 0.5 gallons per flush (gpf) Royal models.

- 1 1/4" (Model 180) or 3/4" (Model 186) vacuum breaker tailpiece.
- 1" pipe supply line.
- EL-1500 Self-Adaptive Infrared Sensor with Indicator Light
- Non-Hold-Open Integral Solenoid Operator
- Chrome Plated Wall Cover Plate (for 2-gang Electrical Box) with Vandal Resistant Screws
- 1" I.P.S. Screwdriver Bak-Chek™ Angle Stop
- Free Spinning Vandal Resistant Stop Cap
- Adjustable Tailpiece

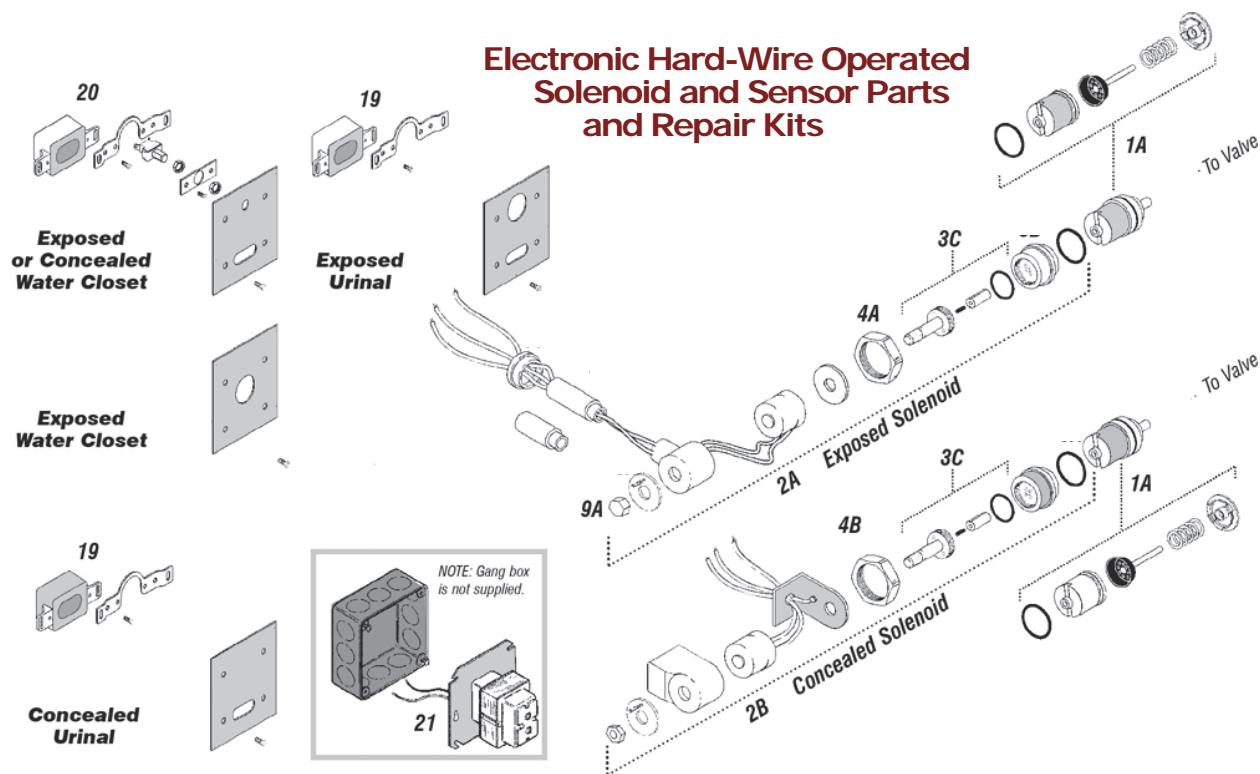


Description - All models end with "ES-S"	Order No.
<b>Exposed Sloan AC Electrical TOILET Flush Valves</b>	
<b>Model 110</b> , Centerline of supply 11.5" above fixture, 3.5 gallons per flush, 1/2" top mount	<b>SN1011</b>
<b>Model 111</b> , same as 110 but for low consumption 1.6 gallons per flush toilets, 1/2" top mount	<b>SN1011A</b>
<b>"Concealed" Sloan TOILET Flush Valves</b> Similar to above, but the valves are concealed behind the wall. Only the Sensor's electrical box is visible. For back supply Toilet.	
<b>Model 152</b> , same as 110, but valve is concealed behind wall, 3.5 gallons per flush, 1/2" back mount	<b>SN1011M</b>
<b>Model 152-1.6</b> , same as 111, but valve is concealed behind wall, 3.5 gpf, 1/2" back mount	<b>SN1011N</b>

Description - All models end with "ES-S"	Order No.
<b>Exposed Sloan AC Electrical URINAL Flush Valves</b>	
<b>Model 180</b> , Centerline of supply 11.5" above fixture, 3.5 gallons per flush, 1 1/4" top mounted urinals	<b>SN1011T</b>
<b>Model 180-1.5</b> , same as 180 but 1.5 gallons per flush, for 1 1/4" top mounted urinals	<b>SN1011S</b>
<b>Model 180-1.0</b> , same as 180 but 1.0 gallons per flush, for 1 1/4" top mounted urinals	<b>SN1011R</b>
<b>Model 186</b> , Centerline of supply 11.5" above fixture, 1.5 gallons per flush, 3/4" top mounted urinals	<b>SN1012</b>
<b>Model 186-1.0</b> , same as 186 but 1.0 gallons per flush, for 3/4" top mounted urinals	<b>SN1012A</b>
<b>Model 186-0.5</b> , same as 186, but 0.5 gallons per flush for 3/4" top mounted urinals	<b>SN1012B</b>

Transformers sold separately. See item 21 on next page.

# Sloan AC Electric Automatic Sensor Repair Parts



Item	AC Electrical Parts Description	Order No.
1A	3305043, EL-128-A Actuator Cartridge Assembly Repair Kit.	<b>SO1142</b>
2A	0305329, EL-124-2 CP 24 VAC Solenoid Assembly	<b>SO1140</b>
2B	0305331, EL-138-2 RB 24 VAC Solenoid Assembly	<b>SO1143</b>
3C	0305165, EL-163-A Solenoid Shaft Assembly	<b>SO1120</b>
4A	0301082, A-6 CP Handle Coupling	<b>SO1010</b>
4B	0301082, A-6 CP Handle Coupling	
9A	0305125, EL-101 CP Nut for Solenoid	<b>SO1141</b>
19	3305620, EL-1500 Urinal Sensor Replacement Kit (Urinal only)	<b>SO1122</b>
20	3305621, EL-1500-L Closet Sensor Replacement Kit (Closet only)	<b>SO1123</b>
21	0345154, EL-154 Transformer (120 VAC)	<b>SO1119</b>
	0345999, EL-342 Transformer (240 VAC)	<b>SO1120T</b>

## Sloan Manual to Automatic Retro Kits

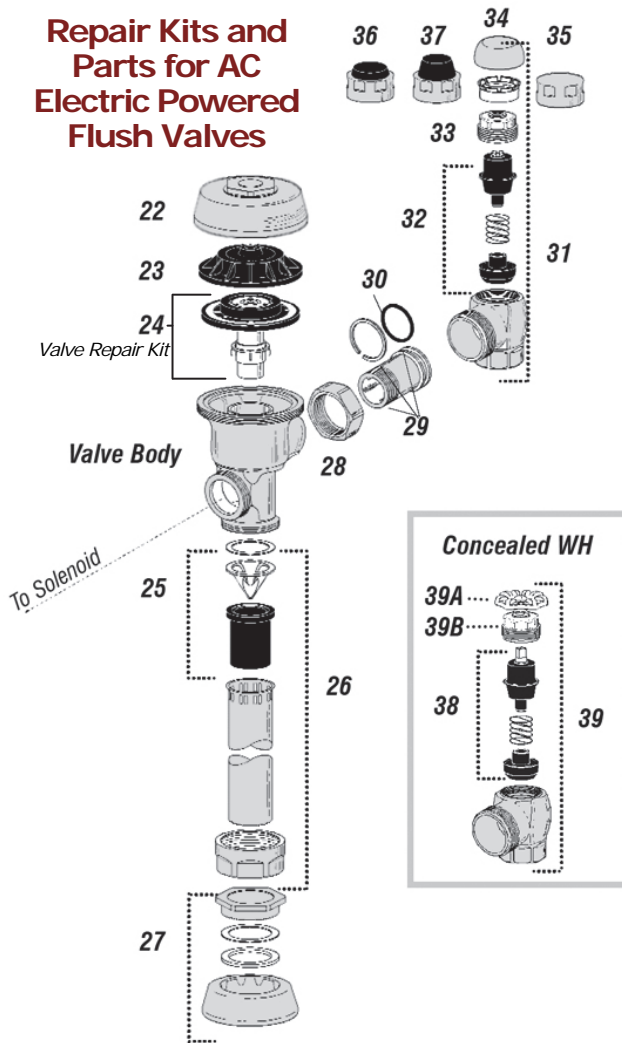
- Select from Urinal or Toilet Retrofit Kits!
- PERMEX™ Synthetic Rubber Diaphragm with Dual Filtered Fixed Bypass.
- ADA Compliant OPTIMA Plus® Battery Powered Infrared Sensor for automatic "No Hands" operation.
- Isolated Latching Solenoid Operator, isolates magnetic components from water contact.
- Engineered Metal Cover with Replaceable Lens Window.
- User-friendly three (3) second Flush Delay and Courtesy Flush™ Override Button.
- Four (4) Size AA Batteries factory installed.
- "Low Battery" Flashing LED.
- Infrared Sensor Range Adjustment Screw
- Initial Set-up Range Indicator Light
- Diaphragm, Stop Seat and Vacuum Breaker molded from PERMEX™ Rubber Compound for Chloramine Resistance.



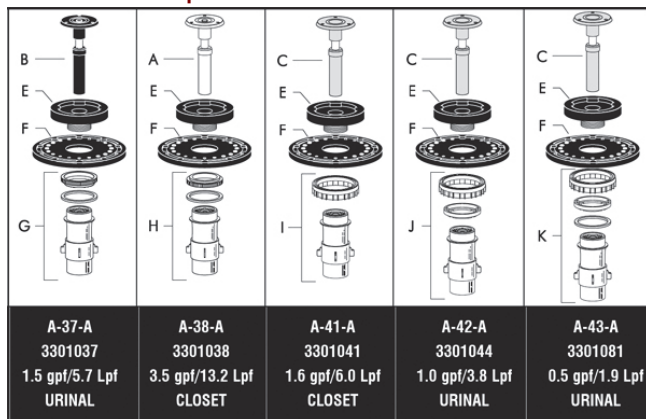
Description	Order No.
<b>Model RESS-U</b> , Optima Top-Mount, 1.0 to 1.6 GPF Battery-Powered Retrofit Kit for URINALS	<b>SN1183</b>
<b>Model RESS-C</b> , Optima Top-Mount, 1.6 GPF Battery-Powered Retrofit Kit for TOILETS	<b>SN1170</b>

# Sloan AC Electric Automatic Valve Repair Parts

## Repair Kits and Parts for AC Electric Powered Flush Valves



## Valve Repair Kits

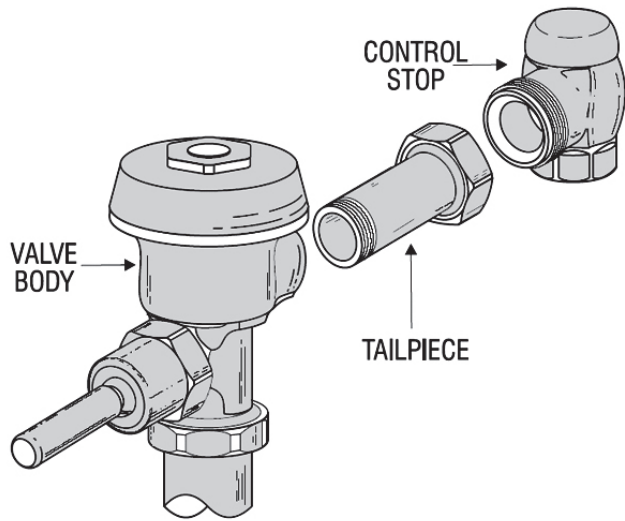


Kit	Description	Order No.
A-37-A	Repair Kit, 1.5 gallons per flush, for urinal	<a href="#">SO1045</a>
A-38-A	Repair Kit, 3.5 gallons per flush, for toilet	<a href="#">SO1050</a>
A-41-A	Repair Kit, 1.6 gallons per flush, for toilet	<a href="#">SO1052</a>
A-42-A	Repair Kit, 1.0 gallons per flush, for urinal	<a href="#">SO1053</a>
A-43-A	Repair Kit, 0.5 gallons per flush, for urinal	<a href="#">SO1053A</a>

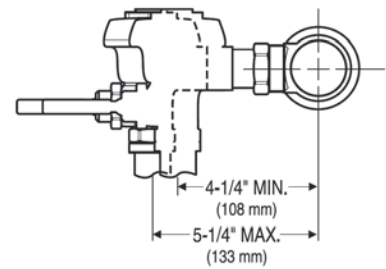
Item	Repair Parts Description	Order No.
22	0301172, A-72 chrome plated Cover	<a href="#">SO1060</a>
23	0301168, A-71 Inside Cover	<a href="#">SO1055</a>
24	See Valve Repair Kits in bottom, left-hand corner	
25	3323182, V-651-A Vacuum Breaker Repair Kit	<a href="#">SO1386</a>
26	0393004, V-600-AA 3/4" x 9" chrome plated Vacuum Breaker	<a href="#">SO1361</a>
	0393006, V-600-AA 1-1/4" x 9" chrome plated Vacuum Breaker	<a href="#">SO1372</a>
	0393007, V-600-AA 1-1/2" x 9" chrome plated Vacuum Breaker	<a href="#">SO1377</a>
27	0306125, F-5-AW 3/4" chrome plated Spud Coupling Assembly	<a href="#">SO1195</a>
	0306140, F-5-AU 1-1/4" chrome plated Spud Coupling Assembly	<a href="#">SO1205</a>
	0306146, F-5-AT 1-1/2" chrome plated Spud Coupling Assembly	<a href="#">SO1210</a>
28	0308676, H-550 chrome plated Stop Coupling	<a href="#">SO1237</a>
29	0308801, H-551-A chrome plated Adjustable Tail 2-1/16" long	<a href="#">SO1240</a>
30	5308696, H-553 "O" Ring	<a href="#">SO1260</a>
31	3308386, H-700-A 1" Screwdriver Bak-Chek® Angle Stop chrome plated - complete	<a href="#">SO1280</a>
	3308384, H-700-A 3/4" Screwdriver Bak-Chek® Angle Stop chrome plated - complete	<a href="#">SO1275</a>
32	3308853, H-541-A-SD Control Stop Repair Kit for use with 1" & 3/4" H-700-A, 1" H-600-A, 1" & 3/4" H-740-A and 1" H-540-A screw driver Stops	<a href="#">SO1250</a>
	3308856, H-543-A-SD Control Stop Repair Kit for use with 3/4" H-600-A and H-540-A screw driver Stops	<a href="#">SO1235</a>
33	0308612, H-622 chrome plated Bonnet for use with 1" & 3/4" H-700-A and 1" H-600-A screw driver Stops	<a href="#">SO1274</a>
	0308843, H-577 chrome plated Bonnet for use with 3/4" H-600-A screw driver Stops	<a href="#">SO1272</a>
34	3308791, H-1010-A 1" Vandal Resistant Control Stop Cap Assembly for use with 1" & 3/4" H-700-A and 1" H-600-A screw driver Stops	<a href="#">SO1258</a>
	3308790, H-1009-A 3/4" Vandal Resistant Control Stop Cap Assembly for use with 3/4" H-600-A screw driver Stops	<a href="#">SO1257</a>
35	0308840, H-573 1" Control Stop Cap chrome plated for use with 1" & 3/4" H-700-A and 1" H-600-A screw driver Stops	<a href="#">SO1270</a>
	0308848, H-582 3/4" Control Stop Cap chrome plated for use with 3/4" H-600-A screw driver Stops	<a href="#">SO1265</a>
36	3308866, H-574 1" Control Stop Cap with Bumper for use with 1" & 3/4" H-700-A and 1" H-600-A screw driver Stops	<a href="#">SO1262</a>
37	3308867, H-576 1" Control Stop Cap with Extended Bumper for use with 1" & 3/4" H-700-A and 1" H-600-A screw driver Stops	<a href="#">SO1263</a>
38	3308860, H-1006-A Repair Kit for 1" Stops with Concealed WH for use with 1" H-700, H-600, and H-540 wheel handle Series Stops	<a href="#">SO1294J</a>
	3308859, H-1007-A Repair Kit 3/4" Stops with Concealed wheel handle for use with 3/4" H-700 wheel handle Series Stops	<a href="#">SO1294K</a>
39	0388010, H-730-A 1" Concealed wheel handle Bak-Chek® Angle Stop, rough brass	<a href="#">SO1293</a>
	0388011, H-730-A 3/4" Concealed wheel handle Bak-Chek® Angle Stop, rough brass	<a href="#">SO1291</a>
39A	3308872, H-1011-A Repair Kit (for Concealed wheel handle only; does not include bonnet)	<a href="#">SO1294N</a>
39B	0208083, H-623 Bonnet	<a href="#">SO1274A</a>
	0308705, H-561 Bonnet	<a href="#">SO1261</a>



# Sloan Tailpieces and Pedal Valve Repair Kit

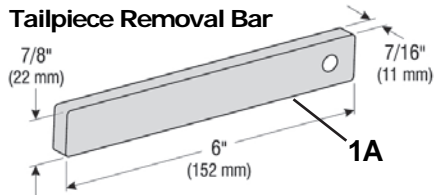


The Tailpiece is the connection between the Valve Body and the Control Stop. Sloan Adjustable and Ground Joint Tailpieces are threaded into the Valve Body at the factory. Sloan Tailpieces are available in a variety of lengths to accommodate installation rough-in errors and unique installation requirements.



## Easily Remove Sloan Tailpieces!

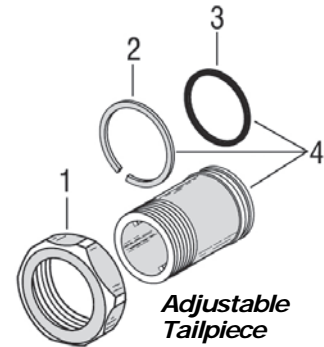
Sloan Adjustable and Ground Joint Tailpieces are assembled into the Valve Body using a pipe thread. Significant force is used to drive the Tailpiece into the Valve Body. As such, removal of the old Tailpiece may be difficult. For replacement, we recommend using the H-530 Tailpiece Removal Bar.



- Remove the Flushometer cover and interior parts.
- Secure the Tailpiece Removal Bar vertically in a vice. Place the Flushometer Tailpiece over the Bar. The cast lugs inside the Tailpiece will catch on the Bar.
- Insert a length of 3/4" pipe into the barrel of the Valve Body.
- Unscrew Tailpiece from Valve Body and assemble the new Tailpiece into the Valve Body in the reverse manner.
- Use Teflon tape (or pipe sealant) on Tailpiece pipe threads.
- Ensure that both the Coupling and the Locking Ring (Adjustable Tailpiece only) are on the Tailpiece before tightening the assembly.
- Do NOT use sealant on the first few threads of the Tailpiece.

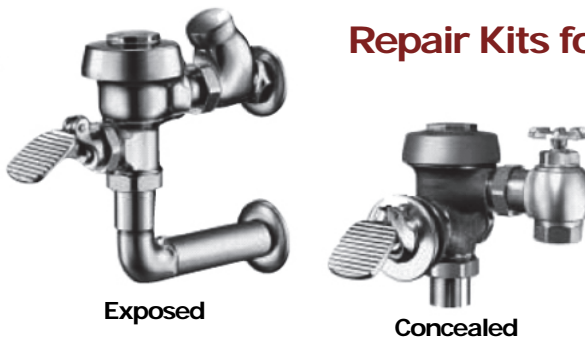
## H-551-A Tailpieces and Repair Parts

- The majority of flush valves supplied by Sloan since 1964 feature the H-551-A Adjustable Tailpiece. The valve Tailpiece connects to the Control Stop with a sliding O-ring seal.
- The H-551-A Adjustable Tailpiece standard length is 2-1/16". Designed for a standard flush valve installation where the distance between the centerline of the valve and the centerline of the water supply inlet is 4-3/4". The Adjustable Tailpiece allows for a variance of ± 1/2" from this nominal dimension.



Different tailpiece lengths available. Order below.

Item	Description	Order No.
1A	Tailpiece Removal Bar	<a href="#">SO1232</a>
1	Coupling Nut only, chrome plated	<a href="#">SO1237</a>
2	Locking Ring only	<a href="#">SO1253</a>
3	O-Ring only	<a href="#">SO1260</a>
4	2-1/16" tailpiece assembly (items 2, 3 & 4)	<a href="#">SO1240</a>
	3-1/16" tailpiece assembly (items 2, 3 & 4)	<a href="#">SO1245</a>
	4-1/16" tailpiece assembly (items 2, 3 & 4)	<a href="#">SO1246</a>
	5-1/16" tailpiece assembly (items 2, 3 & 4)	<a href="#">SO1247</a>

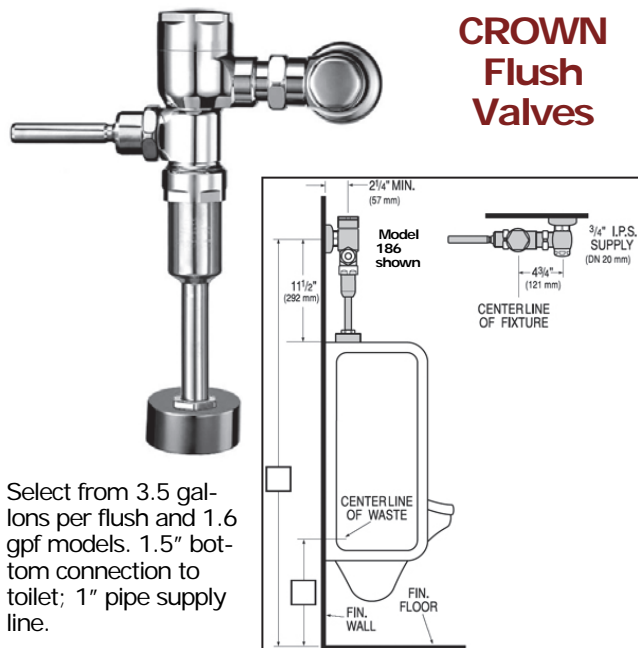


## Repair Kits for Pedal Operated Sloan Flush Valves

Valve Style	Description	Order No.
Exposed	Complete pedal assembly	<a href="#">SO1296</a>
	Replacement pedal only	<a href="#">SO1296B</a>
	Pedal repair kit less pedal — internal parts	<a href="#">SO1100</a>
Concealed	Replacement pedal only	<a href="#">SO1296A</a>
	Screw for pedal (order with above pedal)	<a href="#">SO1296C</a>
	Pedal repair kit less pedal — internal parts	<a href="#">SO1107</a>

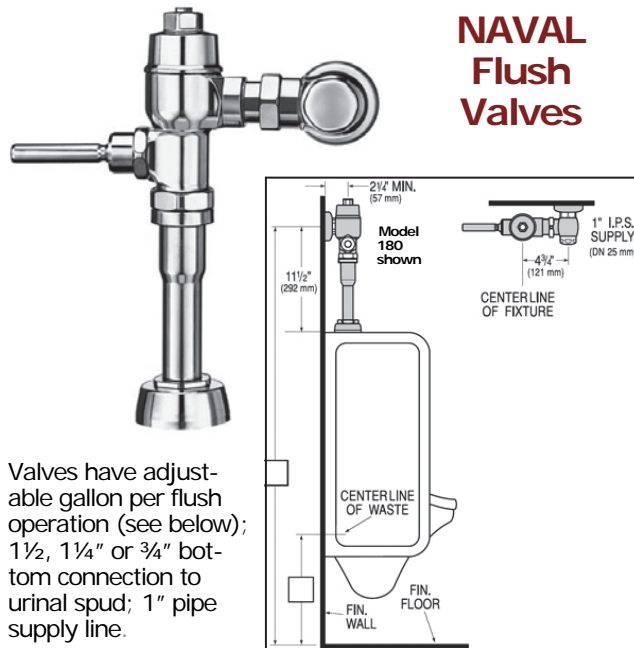
# Sloan Crown & Naval Flush Valves

## CROWN and NAVAL Flush Valves for Toilets and Urinals



**CROWN  
Flush  
Valves**

Select from 3.5 gallons per flush and 1.6 gpf models. 1.5" bottom connection to toilet; 1" pipe supply line.



**NAVAL  
Flush  
Valves**

Valves have adjustable gallon per flush operation (see below); 1 1/2, 1 1/4" or 3/4" bottom connection to urinal spud; 1" pipe supply line.

Select from 3/4", 1-1/4" and 1-1/2" top spud connections for urinals (3/4" or 1-1/4") and toilets (1-1/2"). Order valves that flush 1.6, 1.0 and 0.5 gallon per flush. For harsh water conditions.

Select from 3/4", 1-1/4" and 1-1/2" top spud connections for urinals (3/4" or 1-1/4") and toilets (1-1/2"). Valves have adjustable gallons per flush operation. For harsh water conditions.

### FEATURES

- Quiet, Exposed, Piston Type, Chrome Plated Urinal Flushometer with the following features:
- Fixed Volume Piston with Filtered O-ring Bypass
- ADA Compliant Metal Oscillating Non-Hold-Open Handle with Triple Seal Handle Packing
- Locking Vandal Resistant Stop Cap
- Adjustable Tailpiece
- High Back Pressure Vacuum Breaker Flush Connection with One-piece Bottom Hex Coupling Nut
- Sweat Solder Adapter with Cover Tube and Cast Set Screw Wall Flange
- High Copper, Low Zinc Brass Castings for Dezincification Resistance
- Valve designed to accept Low and Ultra-Low Consumption Pistons only to ensure Water Conservation
- Non-Hold-Open Handle, Fixed Metering Bypass and No External Volume Adjustment to Ensure Water Conservation
- Handle Packing, Main Seat, Stop Seat and Vacuum Breaker to be molded from PERMEX™ Rubber Compound for Chloramine

### FEATURES

- Gallons per flush adjustable on all valves below: 0.5 gpf to 3.0 gpf
- Quiet, Exposed, Adjustable Piston Type, Chrome Plated Urinal Flushometer with the following features:
- ADA Compliant Metal Oscillating Non-Hold-Open Handle
- Self-cleaning Xpelor® Bypass
- Vandal Resistant Stop Cap
- Adjustable Tailpiece
- Vacuum Breaker Flush Connection
- Stamped Wall Flange
- Ultra High Copper, Low Zinc Brass Castings for Dezincification and Salt Water Resistance
- Handle Packing, Stop Seat and Vacuum Breaker to be Molded from PERMEX™ Rubber Compound for Chloramine Resistance

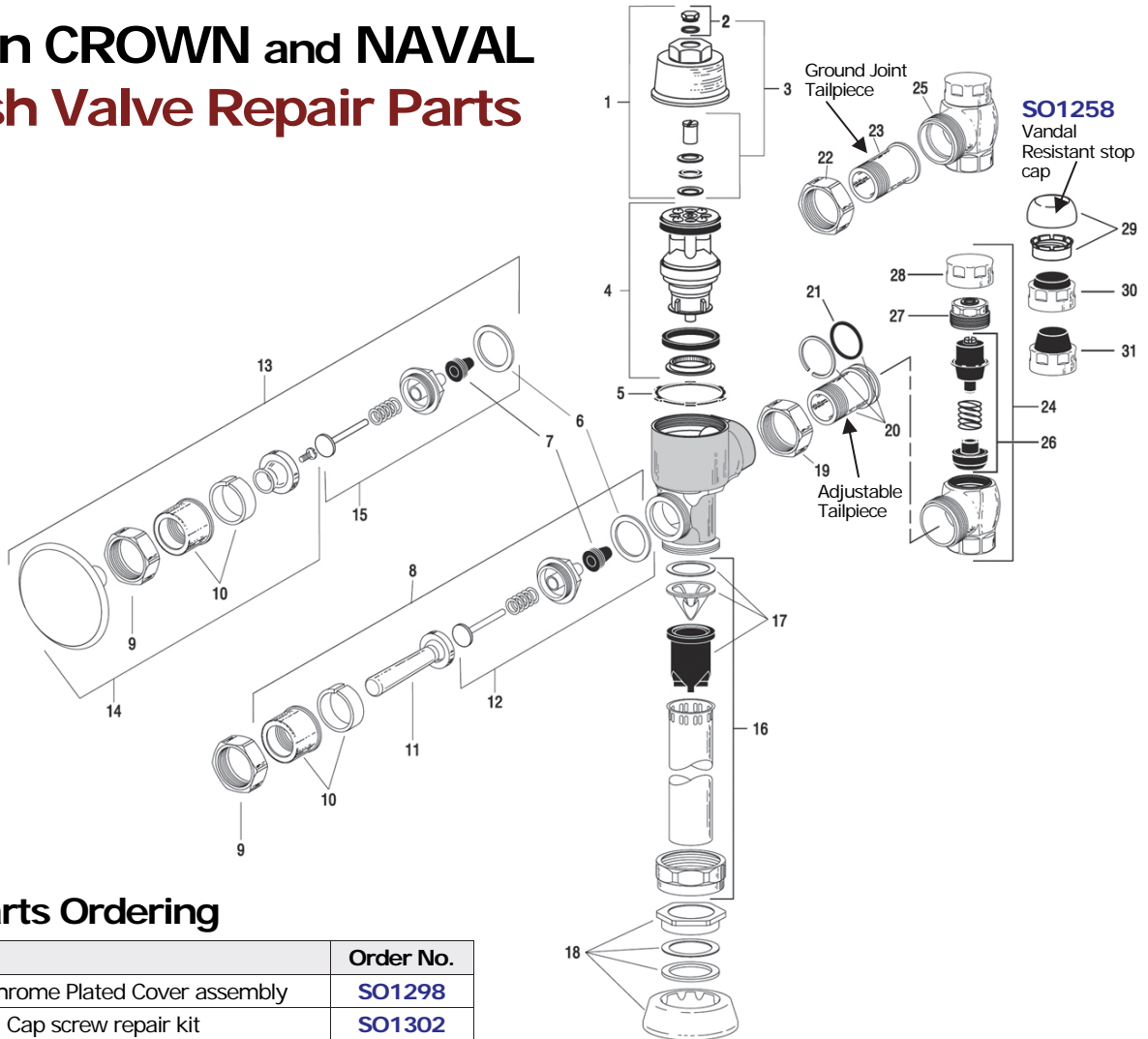
Valve shall be in compliance to the applicable sections of ASSE 1037, ANSI/ASME 112.19.6, and Military Specification V-29193.

**Model 110** factory set to 3.5 gallons per flush; **Model 111** factory set to 1.6 gallons per flush; **Model 186** factory set to 1.0 gallons per flush; **Model 180** factory set to 1.5 gallons per flush. Gallons per flush adjustable on all valves.

Description	Order No.
<b>CROWN Toilet Flush Valves</b>	
<b>Model 111</b> , 1.6 gallons per flush, 1-1/2" top toilet spud connection, 1" water supply	<b>SN1005H</b>
<b>CROWN Urinal Flush Valves</b>	
<b>Model 186</b> , 1.0 gallons per flush, 3/4" top urinal spud connection, 3/4" water supply	<b>SN1008J</b>
<b>Model 180</b> , 1.0 gallons per flush, 1-1/4" top urinal spud connection, 1" water supply	<b>SN1008F</b>

Description	Order No.
<b>NAVAL Toilet Flush Valves</b>	
<b>Model 110</b> , Adjust from 1.5 to 7.0 gallons per flush, 1-1/2" top spud connection, 1" water supply	<b>SN1004B</b>
<b>Model 111</b> , Adjust from 1.5 to 7.0 gallons per flush, 1-1/2" top spud connection, 1" water supply	<b>SN1005E</b>
<b>NAVAL Urinal Flush Valves</b>	
<b>Model 186</b> , Adjust from .5 to 3.0 gallons per flush, 3/4" top spud connection, 3/4" water supply	<b>SN1010G</b>
<b>Model 180</b> , Adjust from .5 to 3.0 gallons per flush, 1-1/4" top spud connection, 1" water supply	<b>SN1008E</b>

# Sloan CROWN and NAVAL Flush Valve Repair Parts



## Repair Parts Ordering

Item	Description	Order No.
1	CN-74-A, Chrome Plated Cover assembly	<a href="#">SO1298</a>
2	CN-1007-A, Cap screw repair kit	<a href="#">SO1302</a>
3	CN-1008-A, Regulating screw repair kit	<a href="#">SO1302A</a>
4	CN-1002-A, Piston assembly for toilet	<a href="#">SO1300</a>
	CN-1003-A, Piston assembly for urinal	<a href="#">SO1300A</a>
	CN-1009-A, Piston assembly for shower	<a href="#">SO1302B</a>
5	CN-76, Cover gasket	<a href="#">SO1298B</a>
6	A-31, Handle gasket	<a href="#">SO1030</a>
7	B-39, Handle seal	<a href="#">SO1095</a>
8	B-32-A, Chrome Handle assembly	<a href="#">SO1090</a>
9	A-6, Chrome Handle coupling	<a href="#">SO1010</a>
10	B-7-A, Chrome Socket	<a href="#">SO1080</a>
11	B-32, Chrome handle grip only	<a href="#">SO1085</a>
12	B-50-A, Handle repair kit	<a href="#">SO1105</a>
13	C-42-A, Chrome 3" push button assembly	<a href="#">SO1297</a>
14	C-1000-A, 3" push button replacement kit	<a href="#">SO1297D</a>
15	C-64-A, 3" push button repair kit	<a href="#">SO1297A</a>
16	V-500-AA, 3/4" x 9" vacuum breaker	<a href="#">SO1360</a>
	V-500-AA 1-1/4" x 9" vacuum breaker	<a href="#">SO1370</a>
	V-500-AA, 1-1/2" x 9" vacuum breaker	<a href="#">SO1375</a>
17	V-551-A, Vacuum breaker repair kit	<a href="#">SO1385</a>
18	F-5-A, Chrome 3/4" spud coupling	<a href="#">SO1195</a>
	F-5-A, Chrome 1-1/4" spud coupling	<a href="#">SO1205</a>
	F-5-A, Chrome 1-1/2" spud coupling	<a href="#">SO1210</a>

Item	Description	Order No.
19	H-550, Stop coupling	<a href="#">SO1237</a>
20	NH-551-A, Chrome adjustable tailpiece, 2-1/16"	<a href="#">SO1303H</a>
21	H-553, O-ring	<a href="#">SO1260</a>
22	H-6, Chrome ground joint stop coupling	<a href="#">SO1214</a>
23	NH-5, Ground joint tailpiece, 1-5/8"	<a href="#">SO1303G</a>
24	H-700-A, 1" Chrome screwdriver control stop for adjustable tailpiece (Item 20 above)	<a href="#">SO1280</a>
	<u>Repair Kit</u> , H-541-A, for 1" screwdriver control stop	<a href="#">SO1250</a>
	H-700-A, 3/4" Chrome control stop for use with adjustable tailpiece (Item 20 above)	<a href="#">SO1275</a>
25	<u>Repair Kit</u> , H-543-A, for 3/4" control stop	<a href="#">SO1256</a>
	H-700-AG, 1" Chrome screwdriver control stop for use with ground joint tailpiece (Item 23 above)	<a href="#">SO1290</a>
	<u>Repair Kit</u> , H-541-A, for 1" control stop	<a href="#">SO1250</a>
26	H-700-AG, 3/4" Chrome screwdriver control stop for use with ground joint tailpiece (Item 23 above)	<a href="#">SO1285</a>
	<u>Repair Kit</u> , H-543-A, for 3/4" screwdriver control stop	<a href="#">SO1256</a>
	H-573, Chrome stop cap, 1"	<a href="#">SO1270</a>
28	H-582, Chrome stop cap, 3/4"	<a href="#">SO1265</a>
	H-574, Chrome stop cap with bumper, 1"	<a href="#">SO1262</a>
31	H-576, like H-574 with <u>extended</u> bumper, 1"	<a href="#">SO1263</a>



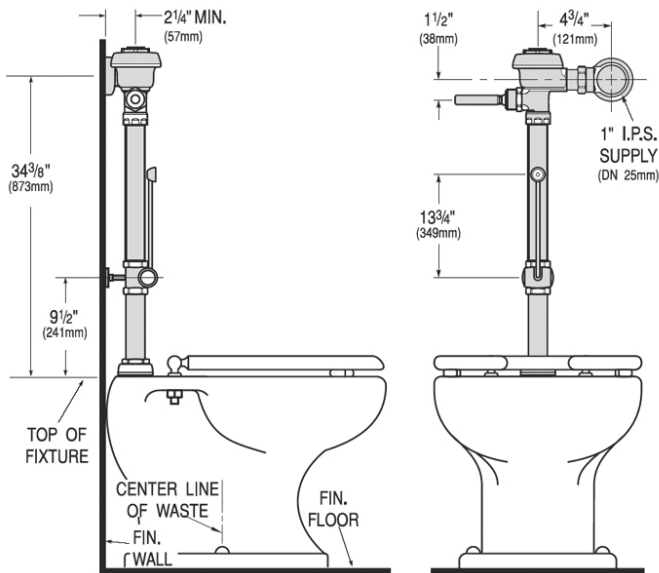
# Sloan Bedpan Washer Flush Valves & Parts



**Model BPW-1000, Manual**

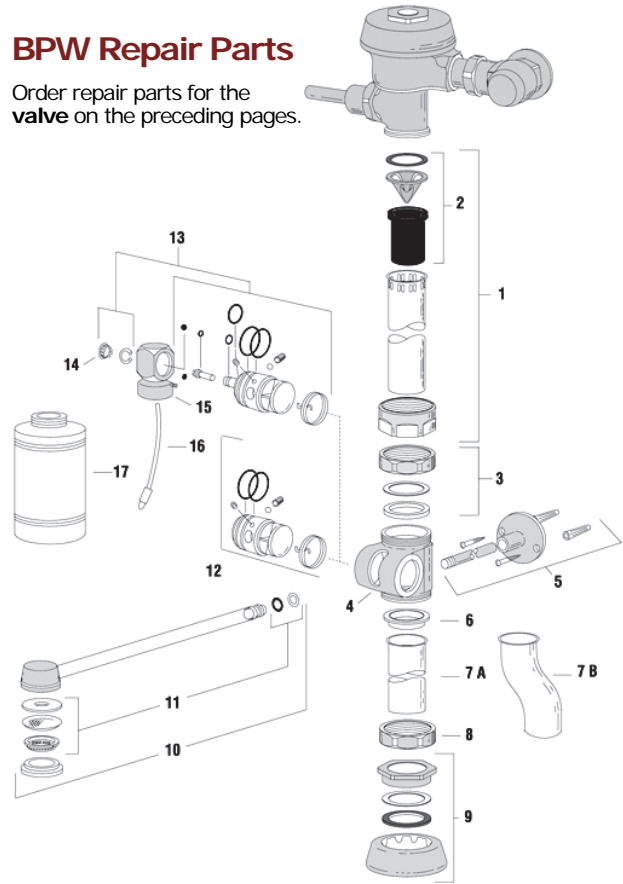
**Model BPW-8005, Automatic**

This exposed bedpan washer and flush valve has all the advantages of the high quality "Royal" model flush valve, along with the Slimline Diverter Valve assembly with solid brass spray arm and counter balanced pivot assembly. A 1" pipe size "screw driver" control stop with vandal resistant cap; adjustable tail piece, vacuum breaker flush connection; wall support and flange; spud coupling and spud flange for 1-1/2" top spud; sweat solder adapter ring for 1" copper tube installation; chrome plated cover tube and chrome plated cast set screw wall flange. Select from manual or automatic flush valve.



## BPW Repair Parts

Order repair parts for the valve on the preceding pages.



Item	Description	Order No.
1	V-600-AA 1 1/2" x 2 1/2" Vacuum Breaker Assembly	<a href="#">SO1380A</a>
	V-600-AA 1 1/2" x 1 3/2" Vacuum Breaker Assembly	<a href="#">SO1378</a>
2	V-651-A, Vacuum breaker repair kit	<a href="#">SO1386</a>
3	F-2-A, 1-1/2" slip joint coupling	<a href="#">SO1160</a>
4	DV-1, Diverter valve body	<a href="#">SO1110D</a>
5	DV-1001-A, Wall support kit	<a href="#">SO1111F</a>
6	F-1003, Outlet tube gasket	<a href="#">SO1212</a>
7A	F-1005, Outlet tube	<a href="#">SO1212B</a>
7B	F-182, Outlet tube with 1-1/2" offset	<a href="#">SO1211</a>
8	F-2, 1-1/2" Coupling nut	<a href="#">CG1485</a>
9	F-5-A, 1-1/2" Spud coupling assembly	<a href="#">SO1210</a>
10	DV-32-AA Spray arm replacement kit	<a href="#">SO1113</a>
	DV-1013-A, Bio-Guard spray arm replacement kit	<a href="#">SO1113G</a>
	DV-1014-A, Short spray arm replacement kit	<a href="#">SO1113H</a>
11	DV-1007-A, Spray arm repair kit	<a href="#">SO1113F</a>
12	DV-1003-A, Pivot replacement kit	<a href="#">SO1111H</a>
13	DV-1002-A, Deoseptic pivot replacement kit	<a href="#">SO1111G</a>
14	DV-21, Plug button	<a href="#">SO1110E</a>
15	DV-33-A, Swivel & ball check assembly	<a href="#">SO1110G</a>
16	DV-36-A, Aspirator tube assembly	<a href="#">SO1110H</a>
17	DV-29, Deoseptic solution bottle	<a href="#">SO1110F</a>
<b>Bedpan Washer Rebuild Kits</b>		
	Kit DV-50-A, <b>Diverter Rebuild Kit</b> , includes outlet tube gasket (#6), spray arm repair kit (#11), and all items in pivot replacement kit (#12) except pivot	<a href="#">SO1111</a>

Description	Order No.
<b>Model BPW-1000 Manual Flush Bedpan Washers</b>	
BPW-1000, 3.5 gallon flush for old style toilets	<a href="#">SN1017</a>
BPW-1005, 1.6 gallon flush for new style toilets	<a href="#">SN1018</a>
BPW-1100, 1.6 gallons per flush	<a href="#">SN1019</a>
<b>Model BPW-8005 Automatic Flush Bedpan Washers</b>	
BPW-8005 allows 3.5 gallons per flush	<a href="#">SN1019H</a>
BPW-8005-1.6 for low consumption toilets, 1.6 gpf	<a href="#">SN1019G</a>

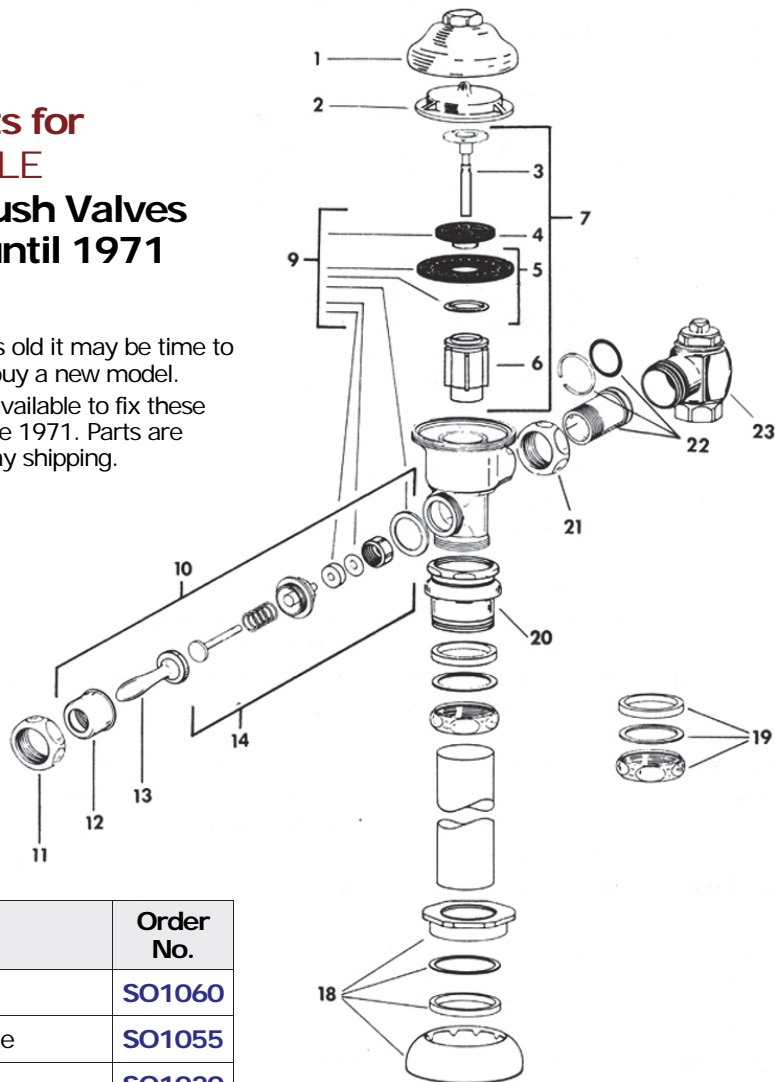
# Sloan "Old Style" Flush Valve Repair Parts

## Repair Parts for OLD STYLE Sloan "Royal" Flush Valves Manufactured until 1971

*"Those were the days my friend!"*

If you have Sloan Flush Valves this old it may be time to retire that workhorse and simply buy a new model.

However, repair parts do remain available to fix these "older" valves manufactured before 1971. Parts are usually in-stock ready for same-day shipping.



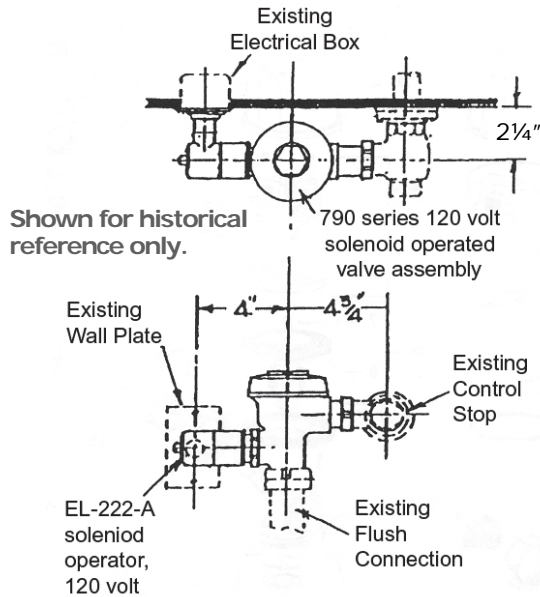
Item	Description	Order No.
1	Chrome cover, use new style	<a href="#">SO1060</a>
2	Inside brass cover, use new style	<a href="#">SO1055</a>
3	A-19-AC, Relief valve for toilet	<a href="#">SO1020</a>
	A-19-AU, Relief valve for urinal	<a href="#">SO1025</a>
4	A-15-A, Disc	<a href="#">SO1015</a>
5	A-156-A, Diaphragm	<a href="#">SO1065</a>
6	Brass Guide N/A, use the A-163-A guide	<a href="#">SO1075</a>
7	A-36-A, Valve Repair Kit for 4.5 gallon per flush toilet	<a href="#">SO1040</a>
	A-37-A, Valve Repair Kit for 1.5 gallon per flush urinal	<a href="#">SO1045</a>
	A-38-A, Valve Repair Kit for 3.5 gallon per flush toilet	<a href="#">SO1050</a>
9	A-156-AA, Washer set	<a href="#">SO1070</a>
10	B-32-A, New style handle assembly	<a href="#">SO1090</a>
11	A-6, Chrome handle coupling	<a href="#">SO1010</a>
12	B-7-A, Chrome socket	<a href="#">SO1080</a>
13	B-32, Chrome handle only	<a href="#">SO1085</a>
14	B-50-A, Handle repair kit	<a href="#">SO1105</a>

Item	Description	Order No.
18	F-5-A, Spud coupling assembly, 3/4"	<a href="#">SO1195</a>
	F-5-A, Spud coupling assembly, 1"	<a href="#">SO1200</a>
	F-5-A, Spud coupling assembly, 1-1/4"	<a href="#">SO1205</a>
	F-5-A, Spud coupling assembly, 1-1/2"	<a href="#">SO1210</a>
19	F-2-A, Outlet coupling assembly, 3/4"	<a href="#">SO1145</a>
	F-2-A, Outlet coupling assembly, 1"	<a href="#">SO1150</a>
	F-2-A, Outlet coupling assembly, 1-1/4"	<a href="#">SO1155</a>
	F-2-A, Outlet coupling assembly, 1-1/2"	<a href="#">SO1160</a>
20	V-100-A Retrofit Kit, changes old V-100-A to current V-500-A vacuum breaker	<a href="#">SO1235</a>
21	H-550, Stop coupling	<a href="#">SO1237</a>
22	H-551-A, Adjustable tailpiece, 2-1/16"	<a href="#">SO1240</a>
	H-551-A, Adjustable tailpiece, 3-1/16"	<a href="#">SO1245</a>
23	H-540 1", Screwdriver stop repair kit	<a href="#">SO1250</a>
	H-540 3/4", Screwdriver stop repair kit	<a href="#">SO1235</a>

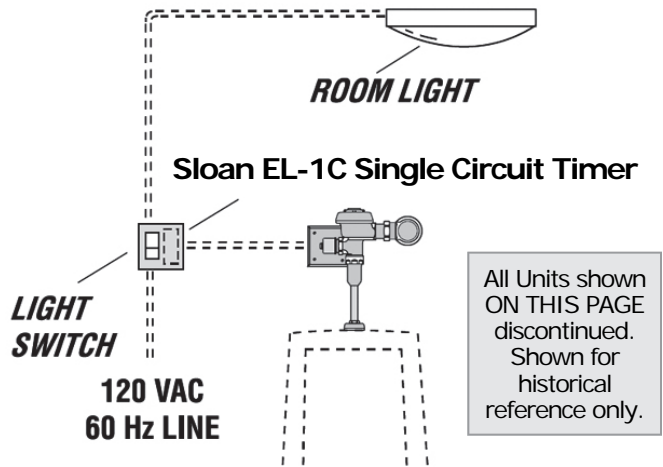
# "Discontinued" Sloan Solenoid Flush Valves & Parts

The Old Style EL-1-A motor operators and repair parts are no longer available.

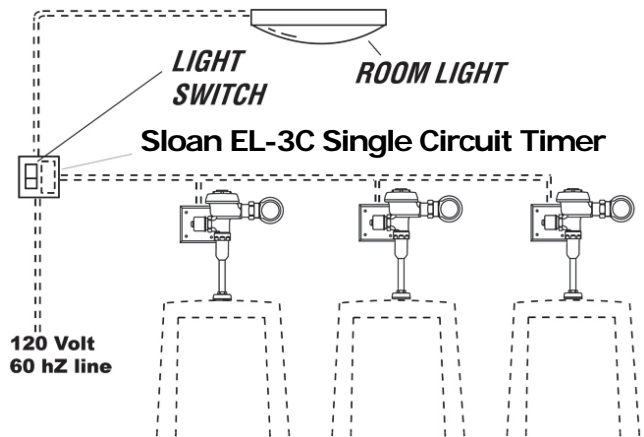
**Please replace these obsolete units with New Battery or AC Powered, Automatic Sensing flush valves.**



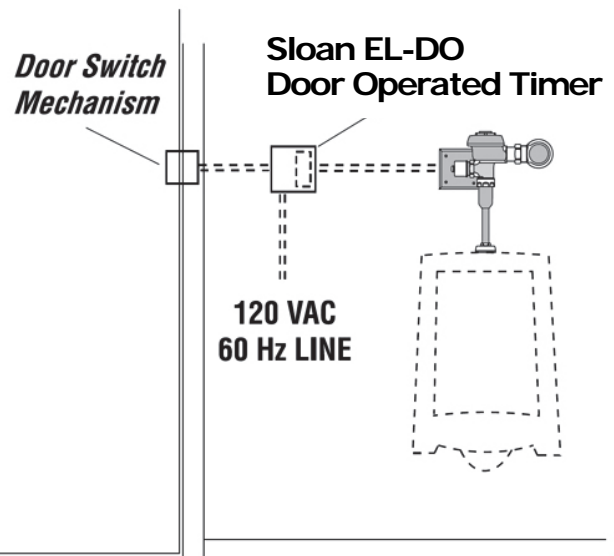
Shown for historical reference only.



All Units shown ON THIS PAGE discontinued. Shown for historical reference only.

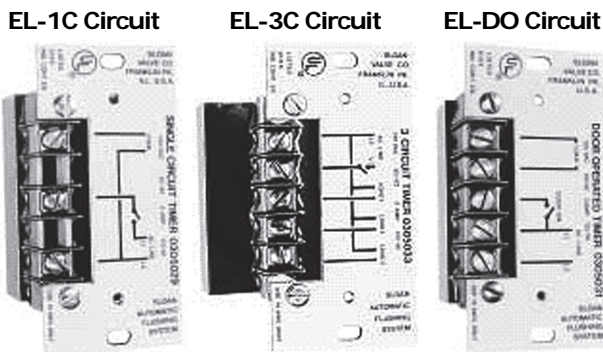


Shown for historical reference only.



NO Longer Made - Replace Unit	Order No.
EL-222-A, valve-mount solenoid operator, 120 VAC	—
EL-1C, One-circuit timer	SN1020
EL-3C, Three-circuit timer	SN1025
EL-DO, Door operated timer	SN1030
*791 replacement valve, services 1 urinal	SN1200
*792 replacement valve, services 2 urinals	SN1210
*793 replacement valve, services 3 urinals	SN1220

\*Valves have O-Ring style adjustable tailpieces.



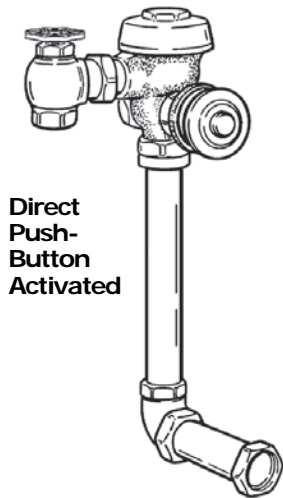
Shown for historical reference only.



# Sloan Hydraulic & Push Button Flush Valves

## Select the Push-Button Operation Style You Need!

### Series 600



**Direct Push-Button Activated**

- Dual Filtered By-Pass Diaphragm, Handle Packing, Stop Seat and Vacuum Breaker to be molded from PERMEX™ rubber compound for Chloramine Resistance
- Metal Non-Hold-Open Push Button with a Triple Seal Handle Packing
- 1" I.P.S. Wheel Handle Bak-Chek™ Angle Stop
- Adjustable Tailpiece
- Elbow Flush Connection and Coupling for 1-1/2" NPT Back Inlet (for connection in the pipe chase - flush connection through the wall not provided by Sloan)
- Sweat Solder Adapter
- **SPECIFY WALL THICKNESS WHEN ORDERING**

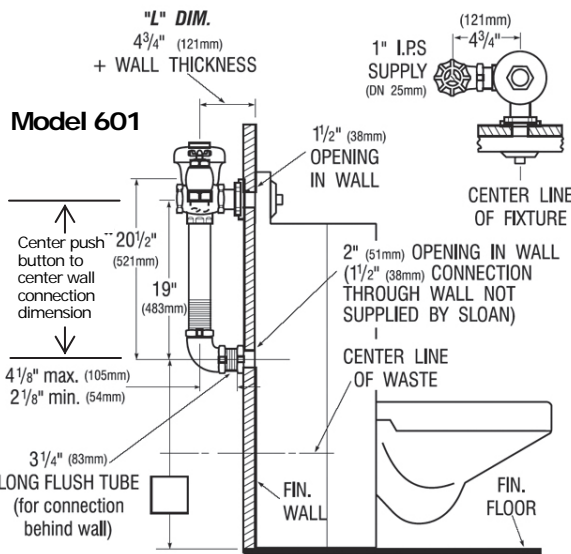
### Series 900



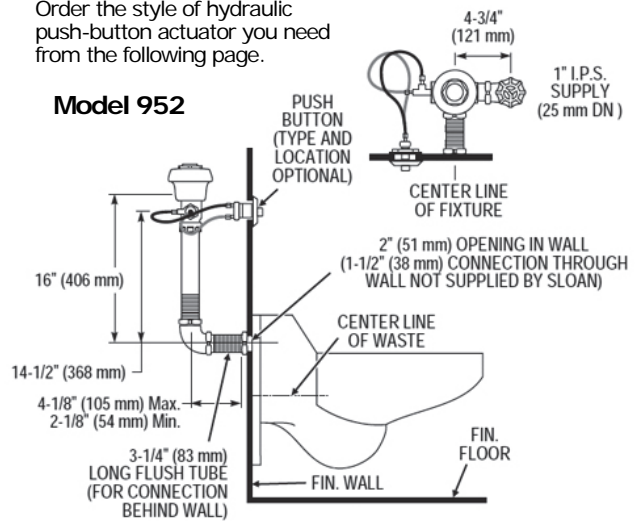
**Hydraulic Push-Button Activated**

- Dual Filtered By-Pass Diaphragm valve for long-lasting durability.
- Metal Non-Hold-Open Push Button with a Triple Seal Handle Packing
- 1" I.P.S. Wheel Handle Bak-Chek™ Angle Stop
- Adjustable Tailpiece
- Elbow Flush Connection and Coupling for connection in the pipe chase (flush connection through the wall not provided by Sloan)
- Sweat Solder Adapter, and Exposed parts are Chrome Plated
- Premium vacuum breaker

Order the style of hydraulic push-button actuator you need from the following page.



### Model 952



Complete Standard Prison Flush Valves	Order No.
<b>For Combination Fixtures</b>	
Model 601-1.6, Concealed back 1 1/2" inlet, 19" from center push button to center wall connection, 1.6 gpf	<b>SN3000</b>
Model 603-1.6, Concealed back 1 1/2" inlet, 14 1/2" from center push button to center wall connection, 1.6 gpf	<b>SN3005</b>
<b>For Toilet Fixtures</b>	
Model 611-1.6, Concealed back 1 1/2" inlet, 22 1/2" from center push button to center wall connection, 1.6 gpf	<b>SN3015</b>
<b>For Urinal Fixtures</b>	
Model 609-1.6, Concealed back 1 1/2" inlet, 13" from center push button to center wall connection, 1.6 gpf	<b>SN3010</b>
Model 613-1.6, Concealed back 3/4" inlet, 12" from center push button to center wall connection, 1.6 gpf	<b>SN3020</b>

Hydraulic Flush Valves	Order No.
Push button actuators <u>not</u> included - See next page.	
<b>Exposed Valve, for Toilets</b>	
910-1.6, 1 1/2" Top spud, 1" supply stop, 1.6 gal per flush	<b>SN3100</b>
<b>Behind Wall Concealed Valve, for Toilets</b>	
940-1.6, 1 1/2" exposed back spud, 1" supply stop, 1.6 gpf	<b>SN3105</b>
950-1.6, no flush connection, 1" female pipe union outlet	<b>SN3110</b>
952-1.6, 1 1/2" concealed back spud, 1" supply stop, 1.6 gpf	<b>SN3115</b>
953-1.6, 1 1/2" Top spud, 1" supply stop, 1.6 gpf	<b>SN3120</b>
<b>Exposed Valve, for Urinals</b>	
980-1.0, 1 1/4" Top spud, 1" supply stop, 1 gal per flush	<b>SN3125</b>
986-1.0, 3/4" Top spud, 3/4" supply stop, 1 gal per flush	<b>SN3130</b>
<b>Behind Wall Concealed Valve, for Urinals</b>	
990-1.6, 1 1/4" concealed back spud, 1" supply stop, 1 gpf	<b>SN3135</b>
990-1.6, 1 1/4" Top spud, 1" supply stop, 1 gal per flush	<b>SN3140</b>
995-1.6, 3/4" concealed back spud, 3/4" supply stop, 1 gpf	<b>SN3145</b>
997-1.6, 3/4" Top spud, 3/4" supply stop, 1 gal per flush	<b>SN3150</b>

# Sloan Hydraulic Push Button Actuators

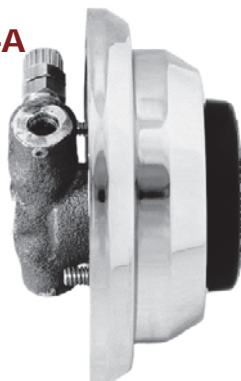
## Hydraulic Push-Button Operation Actuators

**Model HY-33-A** Fixture Wall Push Button (PB) Assembly for use with Sloan Series 900 Hydraulic Flushometer. Recommended for installation where access behind the wall is available. Also for use with Sloan Easy Access™ Wall Box.



- Specifications:**
- ADA Compliant Non-Hold-Open feature type Actuator
  - Large diameter, Spring Loaded Button
  - Wall Clamp and Threaded Rod for through the wall installation (for walls up to 8" (200 mm) thick) - Spacer provided for walls less than 2" (50 mm) thick
  - Mounting fasteners for installation on Sloan Easy Access Wall Box
  - Two 36" (914 mm) long flexible tubing for connection to Sloan Series 900 Hydraulic Flushometer

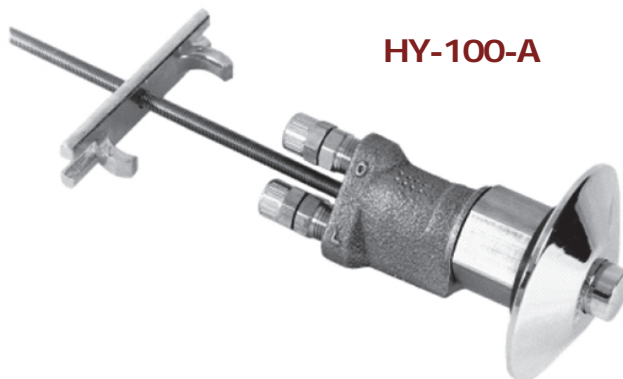
### HY-49-A



**Model HY-49-A** Metal Partition Push Button (PB) Assembly for use with Sloan Series 900 Hydraulic Flushometer. Recommended for installation on 1" (25 mm) metal toilet stall partition.

- Specifications:**
- ADA Compliant Non-Hold-Open feature type Actuator
  - Large diameter, Spring Loaded Button
  - Mounting fasteners for installation on 1" (25 mm) thick metal toilet stall partition
  - Two 36" (914 mm) long flexible tubing for connection to Sloan Series 900 Hydraulic Flushometer

**Model HY-100-A** Metal Button Fixture Wall Push Button (PB) Assembly for use with Sloan Series 900 Hydraulic Flushometer. Recommended for installation on Stainless Steel Prison Fixtures and other locations where extreme vandalism is a concern. Requires access behind the wall for installation and servicing.



### HY-100-A

- Specifications:**
- ADA Compliant Non-Hold-Open feature type Actuator
  - Spring Loaded, Metal Button
  - Wall Clamp and Threaded Rod for through the wall installation (for walls up to 8" (200 mm) thick) - Spacer provided for walls less than 2" (50 mm) thick
  - Two 36" (914 mm) long flexible tubing for connection to Sloan Series 900 Hydraulic Flushometer

### HY-108-A



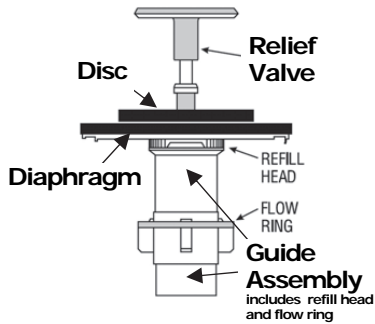
**Model HY-108-A** Metal Button Panel Mount Push Button (PB) Assembly for use with Sloan Series 900 Hydraulic Flushometer. Recommended for installation on Handicap and similar Stainless Steel Prison Fixtures where a front access panel is provided. Also for use with Sloan Easy Access™ Wall Box when used in locations where extreme vandalism is a concern. Requires access for installation and servicing.

- Specifications:**
- ADA Compliant Non-Hold-Open feature type Actuator
  - Spring Loaded, Metal Button
  - Two 36" (914 mm) long flexible tubing for connection to Sloan Series 900 Hydraulic Flushometer.

Model No.	Actuator Description	Order No.
HY-33-A	Fixture wall push-button assembly	<a href="#">SN4000</a>
HY-49-A	Metal partition push button assembly	<a href="#">SN4005</a>
HY-100-A	Metal button, fixture wall PB assembly	<a href="#">SN4015</a>
HY-108-A	Metal button, panel mount PB assembly	<a href="#">SN4020</a>

# Sloan Hydraulic Flush Valve Repair Parts

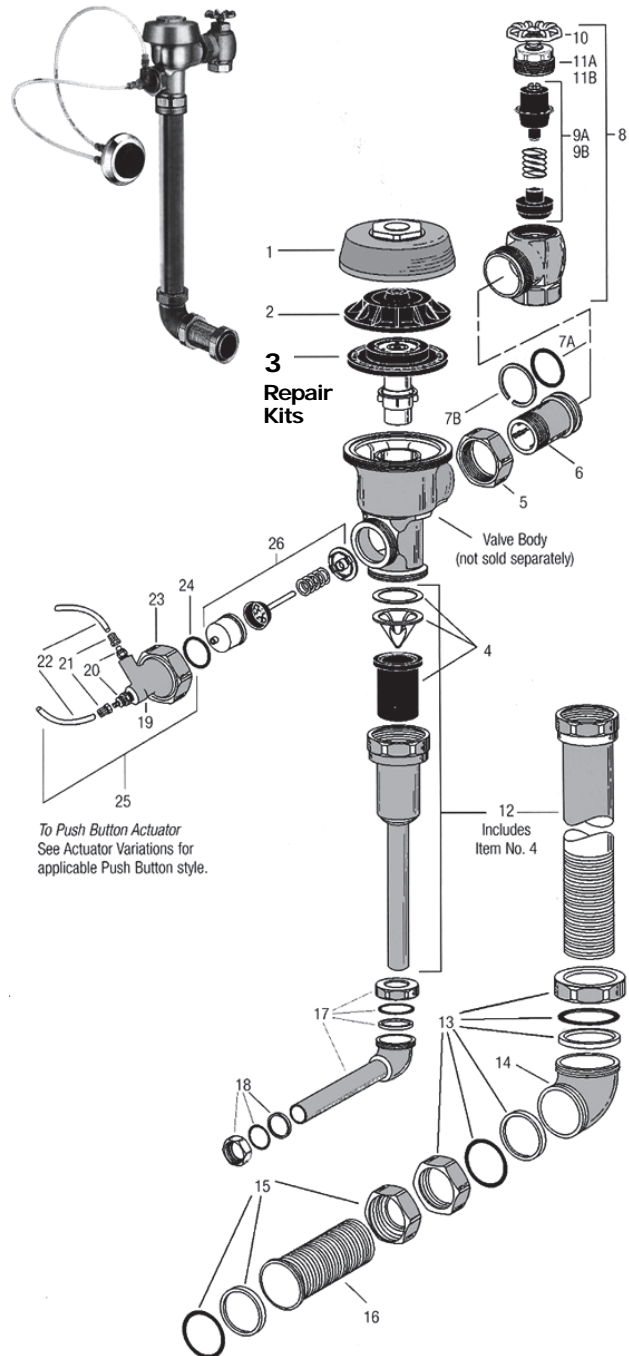
## Individual Valve Repair Parts



Description	Order No.
Relief valve for standard toilet. A-19-AC	<a href="#">SO1020</a>
Relief valve for standard urinal. A-19-AU	<a href="#">SO1025</a>
Relief valve for low-consumption valves with "LC" stamped on cover. A-19-ALCM	<a href="#">SO1026</a>
Disc on top of diaphragm. A-15-A	<a href="#">SO1015</a>
Diaphragm only, Single-Filtered, A-156-A	<a href="#">SO1065</a>
Diaphragm Kit, includes diaphragm, disc, handle seal and handle gasket. A-156-AA	<a href="#">SO1070</a>
Guide Assembly	<a href="#">SO1075</a>
Valve Kits include all the appropriate parts shown above pre-assembled for easy installation	See No. 3 Below

## Valve Repair Kits and Other Parts

Item	Description	Order No.
1	A-72, Outside cover	<a href="#">SO1060</a>
2	A-71, Inside cover	<a href="#">SO1055</a>
3	<b>A-1041-A, Valve Kit for Toilets, 1.6 gpf</b>	<a href="#">SO1076B</a>
	<b>A-1038-A, Valve Kit for Toilets, 3.5 gpf</b>	<a href="#">SO1076A</a>
	<b>A-1043-A, Valve Kit for Urinals, 0.5 gpf</b>	<a href="#">SO1076D</a>
	<b>A-1042-A, Valve Kit for Urinals, 1.0 gpf</b>	<a href="#">SO1076C</a>
	<b>A-1037-A, Valve Kit for Urinals, 1.5 gpf</b>	<a href="#">SO1076</a>
4	V-651-A, vacuum breaker repair kit	<a href="#">SO1386</a>
5	H-550, brass tailpiece coupling	<a href="#">SO1237</a>
6	H-551-A, brass adjustable tailpiece, 2-1/16"	<a href="#">SO1240</a>
7A	H-553, O-Ring	<a href="#">SO1260</a>
7B	H-552, Locking ring	<a href="#">SO1253</a>
8	H-730-A, Wheel handle control stop	<a href="#">SO1293</a>
9A	H-541-A, 1" pipe size repair kit for H-730-A	<a href="#">SO1294J</a>
9B	H-543-A, 3/4" repair kit for H-730-A	<a href="#">SO1294K</a>
10	H-558-A, wheel handle only	<a href="#">SO1260X</a>
11A	H-623, 1" pipe size brass bonnet	<a href="#">SO1261</a>
11B	H-623, 3/4" pipe size brass bonnet	<a href="#">SO1274</a>
12	Vacuum breakers (specify size & length)	
13	F-2-AA, includes all parts indicated	<a href="#">SO1161</a>

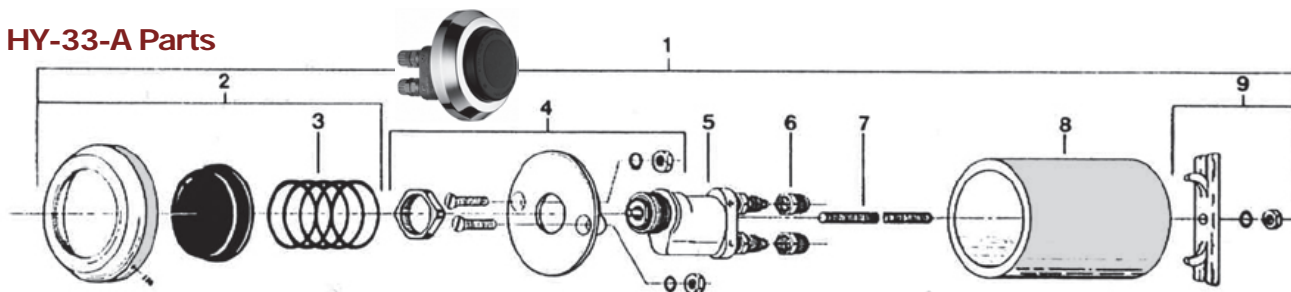


Item	More Parts	Order No.
14	F-21, brass elbow	<a href="#">SO1210J</a>
15	F-2A, parts as indicated (1-1/2" size)	<a href="#">SO1160</a>
16	F-100, brass flared end -- specify length	
17	F-15-A, as indicated for 3/4" pipe -- specify length	
18	F-2-A, parts as indicated (3/4" size)	<a href="#">SO1145</a>
19	HY-25, valve actuator housing only	<a href="#">SO3010</a>
20	HY-24, tube fitting (2 each required)	<a href="#">SO3005</a>
21	HY-35, tube fitting nut (2 each required)	<a href="#">SO3025</a>
22	HY-30, 1/4" x 48" tubes (2 ea. required)	<a href="#">HY-30</a>
23	A-6, actuator housing coupling nut only	<a href="#">SO1010</a>
24	DO-22, O-Ring	<a href="#">SO1110B</a>
25	HY-109-A, Actuator Housing Assembly	<a href="#">SO3040</a>
26	HY-83-A, Actuator cartridge assembly	<a href="#">SO3030</a>

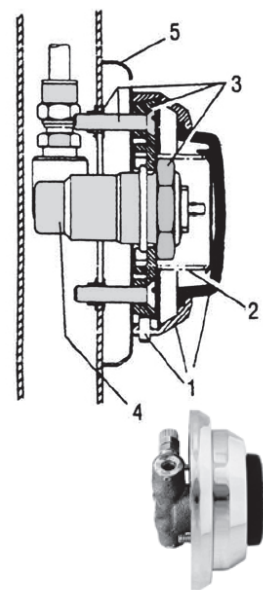


# Hydraulic Push Button Actuator Repair Parts

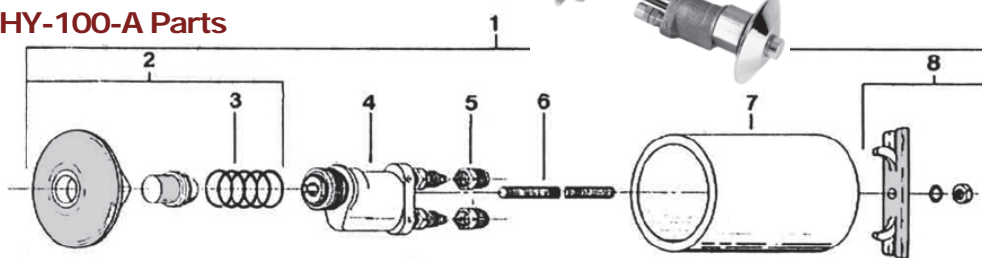
## HY-33-A Parts



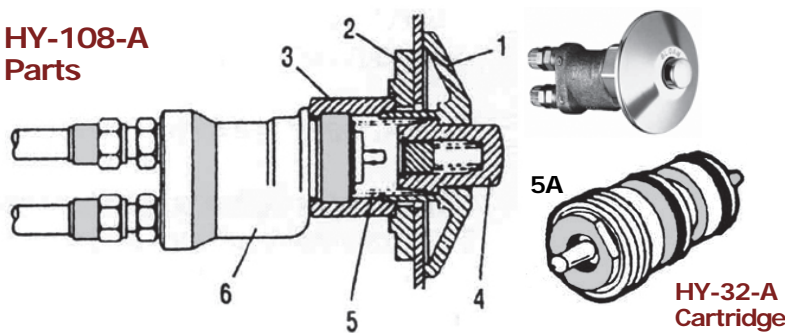
## HY-49-A Parts



## HY-100-A Parts



## HY-108-A Parts



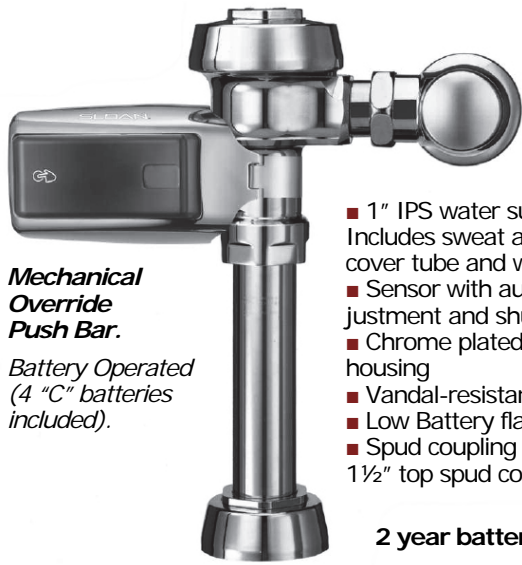
Part No.	Parts Description	Order No.
<b>HY-33-A Repair Parts</b>		
1	HY-33-A Fixture Wall Push Button Assembly	<a href="#">SN4000</a>
2	HY-1000-A Push Button Kit	<a href="#">SO3050</a>
3	HY-3 Spring	<a href="#">SO3000</a>
4	HY-1001-A Mounting Flange Kit	<a href="#">SO3055</a>
5	HY-50-A Actuator Assembly	<a href="#">SO3028</a>
6	HY-35 Tube Fitting Nut (2 required)	<a href="#">SO3025</a>
7	HY-29 Threaded Rod	<a href="#">SO3015</a>
8	HY-105 Spacer	<a href="#">SO3035</a>
9	HY-1002-A Mounting Strap Kit	<a href="#">SO3060</a>
<b>HY-49-A Repair Parts</b>		
1	HY-1000-A Push Button Kit - includes Push Button, Flange, Spring & Set Screw	<a href="#">SO3050</a>
2	HY-3 Spring	<a href="#">SO3000</a>
3	HY-1003-A Mounting Flange Kit - includes Mounting Flange, Mounting Nut, Screws (2) & Tinnerman Nuts (2)	<a href="#">SO3065</a>
*	HY-32-A Push button cartridge only	<a href="#">SO3020</a>
4	HY-71-A Actuator Assembly (includes HY-32-A cartridge assembly)	N/A
5	HY-46 Mounting Flange	N/A

Part No.	Parts Description	Order No.
<b>HY-100-A Repair Parts</b>		
1	HY-100-A Fixture Wall Metal Button Assembly	<a href="#">SN4015</a>
2	HY-111-A Metal Button Kit	<a href="#">SO3045</a>
3	EL-109 Spring	N/A
4	HY-50-A Actuator Assembly	<a href="#">SO3028</a>
5	HY-35 Tube Fitting Nut (2 required)	<a href="#">SO3025</a>
6	HY-29 Threaded Rod	<a href="#">SO3015</a>
7	HY-105 Spacer	<a href="#">SO3035</a>
8	HY-1002-A Mounting Strap Kit	<a href="#">SO3060</a>
<b>HY-108-A Repair Parts</b>		
1	HY-91 Flange	N/A
2	HY-94 Mounting Washer	N/A
3	HY-93 Mounting Nut	N/A
4	HY-86-A Push Button Assembly	N/A
5	EL-109 Spring	N/A
5A	HY-32-A Push button cartridge only	<a href="#">SO3020</a>
6	HY-50-A Actuator Assembly (includes HY-32-A cartridge assembly)	<a href="#">SN4010</a>

# Sloan Automatic Flush Valves for Toilets & Urinals

## SMOOTH Flush Valves for Toilets

## SMOOTH Flush Valves for Urinals



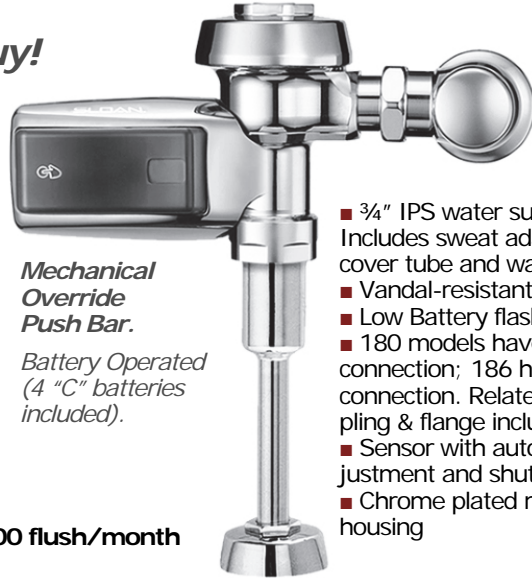
**Mechanical Override Push Bar.**

Battery Operated (4 "C" batteries included).

- 1" IPS water supply
- Includes sweat adapter with cover tube and wall flange
- Sensor with auto range adjustment and shutoff
- Chrome plated metal sensor housing
- Vandal-resistant stop cap
- Low Battery flashing LED
- Spud coupling and flange for 1½" top spud connection.

**2 year battery power @ 4,000 flush/month**

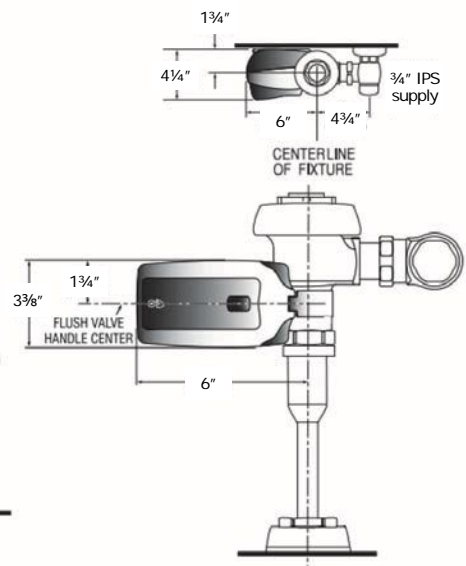
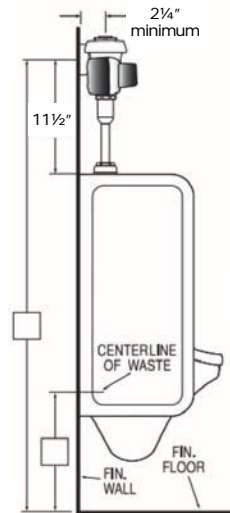
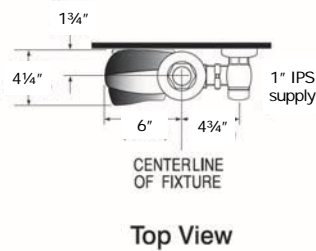
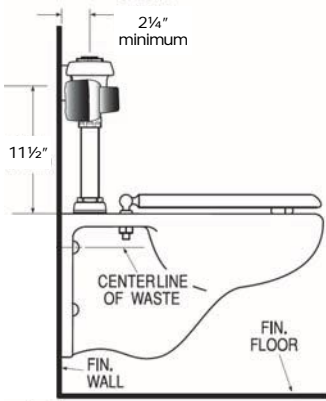
*Best Buy!*



**Mechanical Override Push Bar.**

Battery Operated (4 "C" batteries included).

- ¾" IPS water supply
- Includes sweat adapter with cover tube and wall flange
- Vandal-resistant stop cap
- Low Battery flashing LED
- 180 models have 1¼" spud connection; 186 have ¾" spud connection. Related spud coupling & flange included.
- Sensor with auto range adjustment and shutoff
- Chrome plated metal sensor housing



Description: Battery powered TOILET valves	Order No.
<b>Sloan Royal SMOOTH Toilet Flush Valves</b>	
<b>110 SMOOTH</b> , Centerline of supply 11.5" above top of fixture, 3.5 gallons per flush, 1½" top connection	<b>SN1004A</b>
<b>111 SMOOTH</b> same as 110, but 1.6 gallons per flush for low consumption toilets, 1½" top connection	<b>SN1005K</b>
<b>111-1.28 SMOOTH</b> , same as 110, but 1.28 GPF for low consumption toilets, 1½" top connection	<b>SN1005N</b>
<b>115 SMOOTH</b> , Centerline of supply 24" above top of fixture, 3.5 gallons per flush, 1½" top connection	<b>SN1007E</b>
<b>115-1.6 SMOOTH</b> , same as 115, but 1.6 GPF for low consumption toilet, 1½" top connection	<b>SN1007F</b>

Description: Battery powered URINAL valves	Order No.
<b>Sloan Royal SMOOTH Urinal Flush Valves</b>	
<b>180 SMOOTH</b> , Centerline of supply 11.5" above fixture, 3.5 GPF, 1¼" top mounted urinals	<b>SN1007X</b>
<b>180-1 SMOOTH</b> , same as 180 but 1.0 gallons per flush, for 1¼" top mounted urinals	<b>SN1008C</b>
<b>186 SMOOTH</b> , Centerline of supply 11.5" above fixture, 1.5 gallons per flush, ¾" top mounted urinals	<b>SN1009T</b>
<b>186-1 SMOOTH</b> , same as 186 but 1.0 gallons per flush, ¾" top mounted urinals	<b>SN1009V</b>
<b>186-0.5 SMOOTH</b> , same as 186 but 0.5 gallons per flush, for ¾" top mounted urinals	<b>SN1009X</b>
<b>186-0.25 SMOOTH</b> , same as 186, but 0.25 gallons per flush for ¾" top mounted urinals	<b>SN1009Y</b>
<b>186-0.125 SMOOTH</b> , same as 186, but 0.125 gallons per flush for ¾" top mounted urinals	<b>SN1009Z</b>

## Replacement SMOOTH Operator

- Automatic Range Adjustment
- Push Bar Manual Flush Handle
- Four (4) Size C Batteries included
- "Low Battery" Flashing LED
- "User in View" Flashing LED
- Installation requires only a standard screwdriver.
- 25 to 80 psi Operating Range

