

INSTALLATION INSTRUCTIONS

Atmospheric RobertShaw to White-Rodgers Combination Gas Control Replacement Kit [Flammable Vapor Ignition Resistant (FVIR) Models]

Read these instructions thoroughly to understand all steps and procedures before proceeding with the installation.

INSPECT SHIPMENT:

Inspect contents for possible missing or damaged components. See Figure 1. This kit includes:

- Qty. 1 (one) – Combination Gas Control - See Figure 1.
- Qty. 1 (one) – Installation Instructions
- Qty. 1 (one) – Label – Lighting Instructions (English)
- Qty. 1 (one) – Label – Lighting Instructions (French)
- Qty. 1 (one) – Use & Care Manual – USA (English)
- Qty. 1 (one) – Use & Care Manual – Canada (English)
- Qty. 1 (one) – Use & Care Manual – Canada (French)

TOOLS REQUIRED:

- 3/8" Open-end wrench
- 7/16" Open-end wrench
- 3/4" Open-end wrench
- Pipe Wrench
- Soap and water solution
- 1/2" NPT, approximately 8" – 12" pipe length
- UL 510 and/or CSA C22.2 No. 197 certified PVC electrical tape
- Pipe Thread Sealant - (Certified for use with Natural and LP Gas/Liquefied Petroleum Gases)

NOTICE: Compounds used on threaded joints of gas piping shall be resistant to the action of Liquefied Petroleum Gases.

ADDITIONAL INSTRUCTIONS:

Refer to the Use and Care Manual supplied with the water heater for complete information on the installation, lighting instructions, operation and maintenance of the water heater with the RobertShaw combination gas control.

Refer to the Use and Care Manuals supplied with this kit for complete information on the installation, operation and maintenance of the water heater when equipped with the new replacement White-Rodgers combination gas control.

1. TURNING OFF GAS SUPPLY TO THE WATER HEATER:

Set the thermostat dial to the lowest setting "VACATION" by rotating the thermostat dial on the water heater's combination gas control counter clockwise \curvearrowright until it stops. Rotate the gas control knob on the combination gas control clockwise \curvearrowleft to the "OFF" position.

Shut off the gas supply at the main gas supply line to the water heater. Refer to the lighting instruction label located above the water heaters combination gas control and the Use and Care manual supplied with the water heater for additional information on shutting off the gas supply.

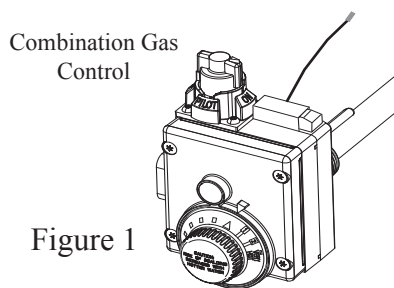


Figure 1

2. **DRAINING THE WATER HEATER:** Shut off the inlet water supply to the water heater. Connect one end of a garden hose to the water heater's drain valve and route the other hose end to a drain or suitable draining area. Open a hot water faucet to allow air to flow into the water heater tank then open the water heater's drain valve. See Figure 2.
3. **DISCONNECTION OF THERMOCOUPLE, PILOT SUPPLY TUBE, BURNER SUPPLY TUBE, AND PIEZO WIRING FROM THE COMBINATION GAS CONTROL:**

Locate the piezo wiring and carefully pull apart the connection from the piezo generator. Using a 3/8" open-end wrench, disconnect the thermocouple from the water heater's combination gas control. Using a 7/16" open-end wrench, disconnect the pilot supply line from the combination gas control. Using a 3/4" open-end wrench, disconnect the burner supply tube from the combination gas control. See Figure 2.

NOTICE: LP Gas Combination Controls use left-handed threads on the burner supply tube nut.

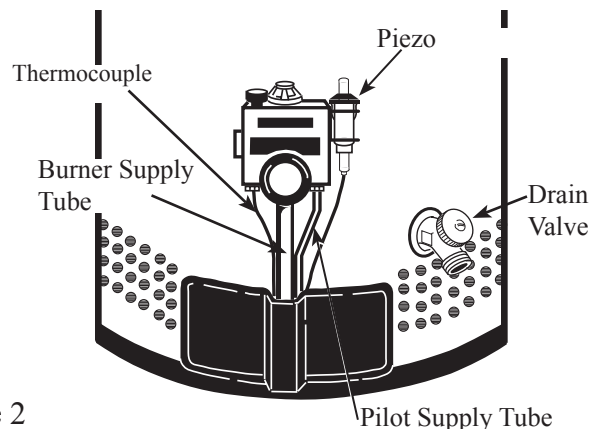


Figure 2

4. ROBERTSHAW COMBINATION GAS CONTROL REMOVAL:

With the gas supply shut off, disconnect the main gas supply piping from the combination gas control. After the water heater is completely drained, screw a suitable length of 1/2" NPT pipe into the gas inlet connection of the combination gas control. Rotate the control counter clockwise \curvearrowright until removed. Remove the 1/2" NPT pipe. See Figure 3.

5. **NEW WHITE-RODGERS COMBINATION GAS CONTROL INSTALLATION:** Ensure the replacement combination gas control is correct for the gas usage of the water

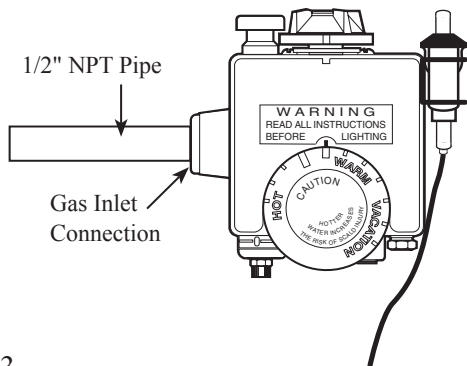


Figure 3

heater. Hand start threading the control into the water heater. Install the suitable length of 1/2" NPT pipe previously used to the gas inlet of new control. Rotate the control by turning clockwise \curvearrowright until the control is tight and in the upright position. Remove the 1/2" NPT pipe.

6. CONNECTION OF BURNER SUPPLY TUBE, PILOT SUPPLY TUBE, THERMOCOUPLE, AND IGNITER WIRE TO THE NEW COMBINATION GAS CONTROL:

Install the inverted flare end of the burner supply tube into the combination gas control. Hand thread the hex nut fitting on the burner supply tube into the control. Ensure that the fitting is properly aligned with the control, otherwise cross threading of the connection will occur. Tighten the fitting using a '3/4" open-end wrench. See Figure 4.

NOTICE: LP Gas Combination Controls use left-handed threads on the burner supply tube nut.

Install the end of the pilot supply tube into the combination gas control. Hand thread the hex nut fitting on the pilot supply tube into the control. Ensure that the fitting is properly aligned with the control, otherwise cross threading of the connection will occur. Tighten the fitting using a 7/16" open-end wrench. See Figure 4.

Install the end of the thermocouple into the combination gas control. Hand thread the hex nut fitting on the thermocouple into the combination gas control. Ensure that the fitting is

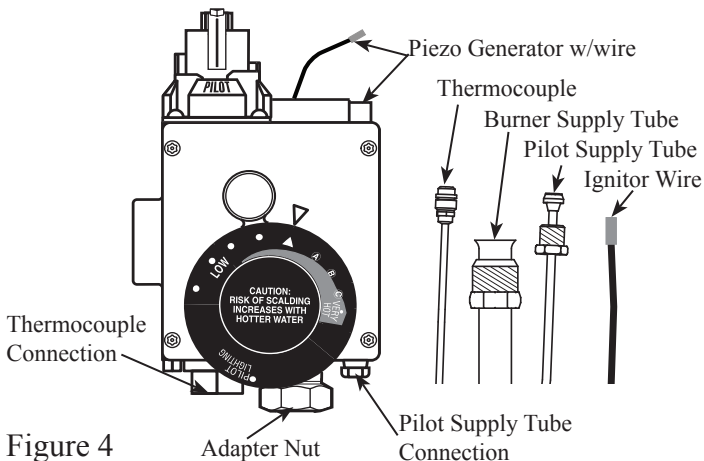


Figure 4

properly aligned with the control, otherwise cross threading of the connection will occur. Tighten the fitting with a 3/8" Open-end wrench. See Figure 4.

Locate the wire coming from the piezo generator supplied with the new replacement combination gas control and connect it to the igniter wire coming out of the burner access door. Using UL 510 and/or CSA C22.2 No. 197 certified PVC electrical tape, completely wrap the exposed metal connectors. See Figure 4.

IMPORTANT: Any exposed portion of the metal connectors may prevent the piezo generator from operating properly.

7. CONNECTION OF THE MAIN GAS SUPPLY TO THE COMBINATION GAS CONTROL:

Reconnect the main gas supply piping to the combination gas control. Use pipe thread sealant certified for use with Natural and LP Gas/Liquefied Petroleum Gases.

NOTICE: Compounds used on threaded joints of gas piping shall be resistant to the action of Liquefied Petroleum Gases.

8. REFILLING THE WATER HEATER:

Disconnect the garden hose from the water heater's drain valve. Close the drain valve and turn on the inlet water supply to the water heater. Open all hot water faucets to allow all trapped air to escape. Let the water heater fill until a steady stream of water is observed coming from all hot water faucets then close all faucets.

9. TURN ON GAS TO THE WATER HEATER:

Turn on the main gas supply to the water heater. Check for leaks on the inlet supply piping using a soap and water solution.

NOTICE: If the soap and water solution bubbles up, there is a leak and the inlet supply piping must be tightened and checked again.

10. LIGHTING INSTRUCTIONS LABEL(S) REPLACEMENT:

Locate the new Lighting Instructions Label(s) supplied with the replacement kit and affix the appropriate label(s) over the Lighting Instructions Label(s) above the combination gas control on the water heater.

11. USE AND CARE MANUAL REPLACEMENT:

Discard the old Use and Care Manual and place the new Use and Care Manual(s) supplied adjacent to the water heater.

IMPORTANT: Retain all new instructions and literature for future use.

12. LIGHTING AND OPERATION INSTRUCTIONS:

Follow the new "FOR YOUR SAFETY READ BEFORE OPERATING" and "LIGHTING INSTRUCTIONS" on the replaced label above the combination gas control or in the new Use and Care Manual supplied with this Combination Control Replacement Kit. With the pilot and main burner in operation, use a soap and water solution to check for gas leaks at the burner supply and pilot tube connections.

NOTICE: If the soap and water solution bubbles up, there is a leak and the fittings must be tightened and checked again.

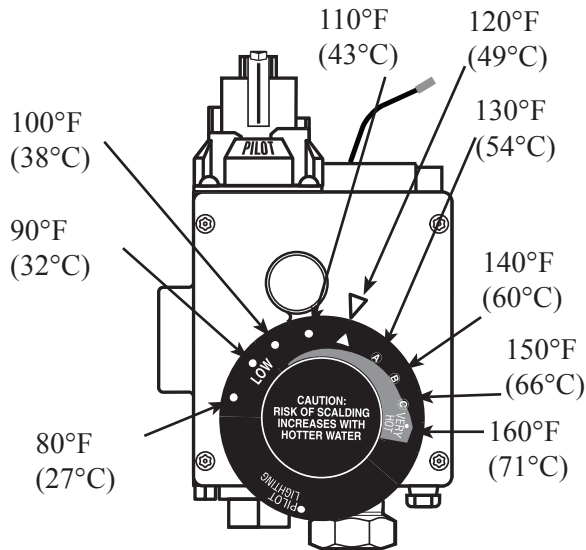
IMPORTANT: If the leak(s) cannot be eliminated, turn off the gas supply to the water heater and contact the water heater manufacturer at 1-800-432-8373.

13. **TEMPERATURE SETTING:**

⚠ DANGER: Hotter water increases the potential for Hot Water SCALDS.

Turn the temperature dial to the desired setting. A temperature setting of 120°F (49°C) or less is recommended as a usable water temperature.

The illustration in Figure 5 details the approximate water temperature for each mark on the White-Rodgers Combination Gas Control Temperature Dial.



Temperatures are approximate

Figure 5

This page intentionally left blank.