



DOMETIC CORPORATION  
1120 North Main Street, Elkhart, IN 46514  
Please Visit: [WWW.DOMETIC.COM](http://WWW.DOMETIC.COM)



**L.P. GAS  
WATER HEATER  
4 - 6 - 10 GALLON**

**ENGLISH, FRANCAIS (et Canada)**

This water heater design has been certified by the Canadian Standards Association for installation in recreation vehicles. **This water heater is not for use in marine applications.**

**SERVICE CALLS & QUESTIONS**

Location and phone numbers of qualified Service Centers can be found at our website <http://www.dometic.com>.

SAFETY ALERT SYMBOLS	
Safety Symbols alerting you to potential personal safety hazards. Obey all safety messages following these symbols.	
 <b>WARNING</b> avoid possible injury or death	 <b>CAUTION</b> avoid possible injury and/or property damage

**Installation and service must be performed by a qualified Service Technician, Service Center, OEM or Gas Supplier.**

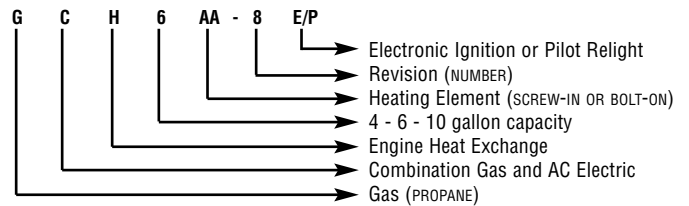
 <b>WARNING</b> <b>FIRE OR EXPLOSION</b>
<p><b>• If the information in this manual is not followed exactly, a fire or explosion may result causing property damage, personal injury or loss of life.</b></p> <p>► Do not store or use gasoline or other flammable vapors and liquids in the vicinity of this or any other appliance.</p> <p><b>WHAT TO DO IF YOU SMELL GAS</b></p> <ul style="list-style-type: none"> <li>• Evacuate ALL persons from vehicle.</li> <li>• Shut off gas supply at gas container or source.</li> <li>• DO NOT touch any electrical switch, or use any phone or radio in vehicle.</li> <li>• DO NOT start vehicle's engine or electric generator.</li> <li>• Contact nearest gas supplier or qualified Service Technician for repairs.</li> <li>• If you cannot reach a gas supplier or qualified Service Technician, contact the nearest fire department.</li> <li>• DO NOT turn on gas supply until gas leak(s) has been repaired.</li> </ul>

**•Installation •Operation •Maintenance**

Revision A, 10/11/18

WATER HEATER	MODEL IDENTIFICATION .....	1
	DIMENSIONS .....	1
	WEIGHT .....	1
SAFETY INFORMATION .....		2-4
Water Heater	GENERAL INSTALLATION .....	2-3
	Electronic Ignition wiring installation	
	Pilot Relight wiring installation	
	Heat Exchanger	
	Combination Gas/Electric	
Water Heater	PILOT OPERATION .....	3-4
	Electronic Ignition	
	Pilot Relight	
	Combination Gas/Electric	
Water Heater	MAINTENANCE .....	4-5
	Electronic Ignition	
	Electric	
FIGURES 1-11 .....		6
WIRING DIAGRAMS .....		7
PART IDENTIFICATION .....		8-9
Water Heater	WARRANTY .....	16

EXPLANATION OF MODEL NUMBER (EXAMPLE)



**- IF YOUR MODEL NUMBER IS NOT LISTED-  
Older revision numbers may be 3, 4, 6, 7, 8 or 9 ( \_ \_ \_ \_ \_ X \_ )**

Regardless of your revision number the current instructions are still generally applicable to your unit. If you have questions contact your dealer, an Dometic Service Center or the Dometic Service Department.

MODEL NUMBER CLARIFICATION					
TYPE	4 GAL	6 GAL		10 GAL	
Pilot Ignition	G4-7	G6A-7	GC6AA-8P	G10-2	GC10A-2
		GC6AA-8	GH6-7	G10-2P	GC10A-2P
Electronic Ignition		G6A-8E	GCH6A-9E	G10-3E	GCH10A-3E
		GC6AA-9E	GH6-8E	GC10A-3E	GH10-3E
<b>Pilot Relight</b>	<b>P IN MODEL # - SEE MODEL CLARIFICATION ABOVE</b>				
<b>Heat Exchange</b>	<b>H IN MODEL # - SEE MODEL CLARIFICATION ABOVE</b>				
<b>Electronic Ignition</b>	<b>E IN MODEL # - SEE MODEL CLARIFICATION ABOVE</b>				
<b>Combination Gas/Electric</b>	<b>C IN MODEL # - SEE MODEL CLARIFICATION ABOVE</b>				
DIMENSIONS				SHIPPING WT.	
ALL MODEL	WIDTH	HEIGHT			
6 GALLON	16"	12.5"		6 GALLON	25 lbs
10 GALLON	16"	15.5"		10 GALLON	32 lbs



## CRITICAL INSTALLATION WARNINGS

- Install in recreation vehicles only. RV's are recreation vehicles designed as temporary living quarters for recreation, camping, or travel use having their own power or towed by another vehicle.
- All combustion air must be supplied from outside the RV, and all products of combustion must be vented to outside the RV.
- DO NOT vent water heater with venting system serving another appliance.
- DO NOT vent water heater to an outside enclosed porch area.
- Protect building materials from flue gas exhaust.
- Install water heater on an exterior wall, with access door opening to outdoors.
- DO NOT modify water heater in any way.
- DO NOT alter water heater for a positive grounding system.
- DO NOT HI-POT water heater unless electronic ignition system (circuit board) has been disconnected.
- DO NOT use battery charger to supply power to water heater even when testing.

### USA AND CANADA - FOLLOW ALL APPLICABLE STATE AND LOCAL CODES - IN THE ABSENCE OF LOCAL CODES OR REGULATIONS, REFER TO CURRENT STANDARDS OF:

- Recreation Vehicles ANSI/NFPA 1192.
- National Fuel Gas Code ANSI Z223.1 and/or CAN/CGA B149 Installation Codes
- Federal Mobile Home Construction & Safety Standard, Title 24 CFR, part 3280, or when this Standard is not applicable, the Standard for Manufactured Home Installations (Manufactured Home Sites, Communities and Set-Ups), ANSI A255.1 and/or CAN/CSA-Z240 MH Series, Mobile Homes.
- National Electrical Code ANSI/NFPA No. 70 and/or CSA C22.1
- Park Trailers A119.5
- CSA standard Z240 RV Series, Recreational Vehicle.

## GENERAL INSTALLATION

Below is the most common type of installation for the water heater. However, there are other approved methods such as baggage compartment (refer to MPD 90093) and flush mounting installations (refer to MPD 93948). Consult your Field Auditor, Account Manager, or the Dometic Service Department if you have additional questions.

1. Locate water heater on floor of coach before erecting side walls. The water heater tank must be permanently supported at the same level as the bottom of sidewall cutout (by the floor or a raised floor).
2. To install water heater on carpeting, you must install appliance on a metal or wood panel that extends at least three inches beyond the full width and depth of appliance.
3. If water heater is installed where leakage of connections or tank will damage adjacent area, install a drain pan which can be drained to out side of coach, under water heater.
4. Connect both 1/2" NPT water lines - hot water outlet female (FIG 1-A) and cold water inlet female (FIG 1-B) and 3/8" flared LP gas lines (FIG 1-C).
  - a. Allow flexibility in water and gas lines so you can pull unit forward through wall one inch past skin (FIG 2).
  - b. Seal gas line entrance opening by sliding grommet (FIG 1-D) onto 3/8" tubing (FIG 1-F) before flaring tubing (FIG 1-F). Pull gas line and grommet through opening in housing (FIG 1-C). Connect flare fitting (FIG 1-E) and press grommet into opening. If gas line tubing is already flared, cut grommet on one side. Place split grommet over gas line and press it into opening.
  - c. Always use pipe lubricant on threads when connecting hot and cold water couplings. A suitable plastic fitting is recommended.



## CAUTION PRODUCT DAMAGE

- Do not lift, pull or push main burner tube (FIG 9-C).

5. Erect side walls and cut opening. See chart and FIG 2-A & B. Frame with 2x2 lumber (or equivalent).

## CUTOUT

CAPACITY	CUT OUT DIMENSION		DEPTH
Gallon	A	B	C
4 - 6	12-5/8"	16-1/4"	17-5/8"
10	15-3/4"	16-1/4"	20-5/8"

**MINIMUM CLEARANCE FROM COMBUSTIBLE CONSTRUCTION**

Sides:	0"	Top:	0"
Back:	0"	Bottom:	0"

6. Bend all flanges 90° along scored lines (FIG 3).
  7. To prevent water leaks caulk thoroughly around opening, including bend slots (FIG 3-A). Butyl Tape (1"x1/8") may be substituted for caulking material.
  8. Push unit against caulking, secure 4-corner brackets FIG 4-A to coach with No.8 - 3/4" round head screws (not furnished) or equivalent. Complete the installation by inserting the same type of #8 screws in the holes provided around the flange of the water heater housing. **Check all gaskets, they must adhere to the pan creating an air tight seal.**
  9. Attach access door (FIG 5).
    - a. Snap hinge pin (FIG 5-A) into clip (FIG 5-B).
    - b. Slide cover (FIG 5-C) onto hinge pin.
    - c. Slide hinge pin into cover, snapping into clip at same time (FIG 5-D).
- NOTE: To remove hinge pin, support access cover and apply force to corner of hinge pin as shown FIG 5-E.
10. Disconnect unit and its individual shut-off valve from gas supply line during any pressure testing of system in excess of 1/2 PSIG (3.4 kPa, 14" water column [W.C.]). DO NOT set inlet pressure higher than maximum indicated on rating plate of gas valve (13" W.C.). Isolate unit from gas supply line by closing its individual manual shutoff valve during any pressure testing ≤ 1/2 psig.



## WARNING FIRE AND/OR EXPLOSION

- DO NOT use matches, candles or other sources of ignition when checking for gas leaks.

11. Turn on gas and check water heater and all connections for gas leaks with leak detecting solution.
12. Fill water heater tank, check all connections for water leaks (FIG 1-A & B).

### PRESSURE-TEMPERATURE RELIEF VALVE - (FIG 10)



## WARNING SCALDING INJURY

- Valve is not serviceable, it must be replaced.
- Tampering with valve will result in scalding injury.
- Tampering with valve will void warranty.



## WARNING EXPLOSION

- DO NOT place a valve, plug or reducing coupling on outlet part of pressure temperature relief valve.

**THIS VALVE IS A SAFETY COMPONENT AND MUST NOT BE REMOVED FOR ANY REASON OTHER THAN REPLACEMENT.** This water heater is equipped with a temperature and pressure relief valve that complies with standard for Relief Valves and Automatic Gas Shutoff Devices for Hot Water Systems, ANSI Z21.22.

If you use a discharge line, do not use a reducing coupling or other restriction smaller than outlet of relief valve. Allow complete drainage of both valve and line.

### FOR REPLACEMENT PARTS:

- DO NOT install anything less than a combination temperature-pressure relief valve certified by a nationally recognized testing laboratory that maintains periodic inspection of product of listed equipment or materials, as meeting requirements for Relief Valves and Automatic Gas Shutoff Devices for Hot Water Supply Systems, ANSI Z21.22. Valve must have a maximum set pressure not to exceed 150 psi.
- Install valve into opening provided and marked for this purpose on water heater.
- Installation must conform with local codes or in the absence of local codes, American National Standard for Recreational Vehicles, ANSI A119.2/NFPA 501C.

- For an external electrical source, ground this unit in accordance with National Electrical Code ANSI/NFPA70.

Your Dometic gas water heater is now ready for operation. Continue to **HOW TO OPERATE YOUR WATER HEATER**.

**Electronic Ignition** continue to **Electronic Ignition WIRING INSTRUCTIONS**.  
**Pilot Relight** continue to **Pilot Relight WIRING INSTRUCTIONS**.

**For HEAT EXCHANGE** continue —

1. Push 5/8" dia. 2 or 3 coolant system hose with SAE 053 A Type "E" clamp attached (FIG 6-E) onto heat exchange tube as far as possible (FIG 6-B).
2. Spread hose clamp and slide toward heat exchange unit past annular groove (FIG 6-C) and release.
3. Continue to **HOW TO OPERATE YOUR WATER HEATER** and/or **Electronic Ignition OPERATION**.

**For COMBINATION GAS/ELECTRIC MODELS** continue —

This water heater is designed to operate with gas, electricity, or a combination of both.

Provide adequate clearance at rear of unit for service of water connections and operation of manually re-settable high temperature limit switch on combination gas/electric units.

1. Follow **GENERAL INSTALLATION** instructions.

NOTE: All wiring must comply with applicable electrical codes.

**⚠ CAUTION  
 PRODUCT DAMAGE**

- When using Romex® with a bare earth ground, take care to position ground wire so it does not contact the heating element terminals.
  - Use electrical metallic tubing, flexible metal conduit, metal clad cable, or nonmetallic-sheathed cable with grounding conductor. Wire must have a capacity of 1500 watts or greater. The wiring method must conform to applicable sections of article 551 of National Electrical Code ANSI/NFPA 70.
2. Refer to Wiring Diagram. Make 120 VAC electrical connections from junction box on back of unit.
    - a. Connect hot lead to (1) Black.
    - b. Connect common lead to (2) White.
    - c. Connect ground wire from electrical service to (3) green ground lead in junction box
  3. Place switch in "OFF" position.
- When a cord and plug connection to the power supply are used on water heater, power cord must be UL listed as suitable for damp locations, hard or extra hard usage. It must be a flexible cord such as type S, SO, ST, STO, SJ, SJT, SJTO, HS or HSO cord as described in National Electrical Code, ANSI/NFPA 70. The length of external cord to water heater, measured to face of attachment plug, shall be no less than 2 feet nor more than 6 feet. Supply cord must be a minimum of 14 AWG and attachment plug must be rated at 15 amps.

**⚠ CAUTION  
 ELECTRICAL DAMAGE**

- Label all wires before disconnecting when servicing controls.
- Verify proper operation after servicing.

Operation using gas continue to **HOW TO OPERATE YOUR WATER HEATER**, electrically continue to **COMBINATION Gas/Electric OPERATION**.

**ELECTRONIC IGNITION - WIRING INSTRUCTIONS**

1. Install unit according to **GENERAL INSTALLATION** instructions.
- NOTE: It is recommended unit be connected directly to a 12V DC battery or to filtered side of an AC/DC converter. Avoid connections to unfiltered side of an AC/DC converter whenever possible. Use a minimum of 18 gauge wire, UL and CSA listed.
- Refer to **WIRING DIAGRAM**. Install remote switch in a convenient location. Position wall plate with letters up. Before making connections turn switch **OFF**. The switch is off when the button is depressed towards terminal see wiring diagram.

2. Installing wires:
  - a. blue lead to switch terminal (6) on indicator light of switch
  - b. terminal (4) on indicator light of switch to negative battery terminal
  - c. green lead to negative battery terminal
  - d. brown lead on water heater to terminal (3) on switch
  - e. terminal 2 on switch to positive battery terminal.
3. Read **ELECTRONIC IGNITION OPERATION**.

**PILOT RELIGHT - WIRING INSTRUCTION**

1. Install unit according to **GENERAL INSTALLATION** instructions.
2. Refer to Wiring Diagram. Use 18 gauge wire, UL/CSA listed.
3. Read **PILOT & PILOT RELIGHT OPERATIONS**.

**CONSUMER SAFETY WARNINGS**

**⚠ WARNING  
 EXPLOSION OR FIRE**

- DO NOT store or use gasoline or other flammable vapors and liquids in the vicinity of this or any other appliance.
- Should overheating occur, or gas supply fail to shut off, turn **OFF** manual gas control valve to appliance, or turn gas **OFF** at the LP tank. On **ELECTRONIC IGNITION MODEL** turn operating switch to **OFF** position and remove red wire from left hand terminal of ECO switch or turn gas **OFF** at the LP tank.
- Use with LP gas only.
- Shut off gas appliances and pilot lights when refueling.
- On **PILOT RELIGHT MODELS**, turn off the ignition module when refueling gasoline tanks or LP tanks.
- Turn gas **OFF** at the LP tank when vehicle is in motion. This disables all gas appliances and pilot lights. Gas appliances must never be operated while vehicle is in motion. Unpredictable wind currents may be created which could cause flame reversal in the burner tube, which could result in fire damage. The thermal cut off fuse could also be unnecessarily activated resulting in a complete shutdown of the water heater requiring replacement of the thermal cut off. See maintenance of electronic ignition water heaters for further explanation of the thermal cut off.
- LP tanks must be filled by a qualified gas supplier only.

**HOW TO OPERATE YOUR WATER HEATER**

**⚠ CAUTION  
 FIRE**

- Do not smoke or have any flame near an open faucet.

If water heater has not been used for more than two weeks, hydrogen gas may form in water line. Under these conditions to reduce the risk of injury, open hot water faucet for several minutes at kitchen sink before you use any electrical appliance connected to hot water system.

If hydrogen gas is present, you will probably hear sounds like air escaping through the pipe as water begins to flow.

**⚠ WARNING  
 SCALDING INJURY**

- Do not tamper with pilot orifice.

**⚠ CAUTION  
 PRODUCT FAILURE**

- Do not operate without water in tank.

**PILOT OPERATION**

1. Turn gas control valve knob (FIG 7-B or FIG 8-B) to **OFF** position.
2. Wait at least five minutes to allow accumulated gas in burner compartment to escape.
3. Water heater may be equipped with a White Rodgers® or Robertshaw Unitrol® Control.

**FOR WHITE RODGERS® CONTROL (FIG 7)**

- a. Turn lighting control knob (FIG 7-B) to **PILOT** position and hold against stop while lighting pilot burner (FIG 9-D).
- b. Allow pilot to burn 30 seconds then release lighting control knob.
- c. Turn lighting control knob (FIG 7-B) to **ON** position.
- d. If pilot does not remain lit, repeat operation allowing longer period before releasing lighting control knob.
- e. Set temperature selection lever (FIG 7-A) at mark between warm and hot position.
- f. Close access door.

**FOR A ROBERTSHAW UNITROL® (FIG 8)**

- a. Turn lighting control dial (FIG 8-B) to **PILOT** position.
- b. Depress and hold reset push button (FIG 8-A) while lighting pilot burner (FIG 9-D).
- c. Allow pilot to burn 30 seconds before releasing reset push button.
- d. If pilot does not remain lit, repeat operation allowing longer period before releasing reset push button.
- e. Turn lighting control dial (FIG 8-B) to **ON** position.
- f. Set temperature control dial (FIG 8-C) at mid-point position between warm and hot.
- g. Close access door.

- 4. For complete shut down and before servicing, turn gas control knob (FIG 7-B or FIG 8-B) to **OFF** position. When water heater is not in use set temperature control lever (White Rogers®) or dial (Robertshaw®) to lowest possible position.

 <b>WARNING</b> <b>SCALDING INJURY</b>
<ul style="list-style-type: none"> <li>• Setting temperature control dial at a higher position will produce excessively hot water.</li> </ul>

The temperature knob or lever is factory adjusted to its lowest dial setting. We recommended the mid-point position between warm and hot, as noted above. This will provide for energy efficient operation and sufficient hot water. Valves for reducing point of use temperature by mixing cold and hot water are available. Consult a licensed plumber or local plumbing authority.

- 5. To Adjust Main Burner (FIG 9):
  - a. Loosen air shutter screw (FIG 9-A).
  - b. Slide air shutter (FIG 9-B) to right until some yellow appears in main burner flame.
  - c. Move air shutter (FIG 9-B) to left until yellow disappears.
  - d. Retighten air shutter screw (FIG 9-A).

Read **MAINTENANCE AND CARE INSTRUCTIONS**

**ELECTRONIC IGNITION OPERATION**

- 1. Refer to **WIRING DIAGRAM**. Place remote switch in **ON** position.
- 2. If remote switch light stays on longer than 15 seconds, place remote switch in **OFF** position and wait 5 minutes.
- 3. Repeat step one.
- 4. For complete shut-down and before servicing:
  - a. Place remote switch in **OFF** position.
  - b. Remove red wire from left hand terminal of ECO switch (ECO to valve).
- 5. If heater fails to operate due to high water temperature, a lockout condition occurs (indicator light on). After water cools, reset switch in **OFF** position for at least 30 seconds, then turn to **ON** position.
- 6. If a lockout condition persists contact an Dometic Service Center.

Read **MAINTENANCE AND CARE INSTRUCTIONS & ELECTRONIC IGNITION MAINTENANCE**

**PILOT RELIGHT OPERATION**

- 1. Turn the switch located on the spark module to the **ON** position.
- 2. Read **PILOT OPERATION** instructions.
- 3. For complete shut down, turn lighting control knob on thermostat and spark module switch to the **OFF** position.

Read **MAINTENANCE AND CARE INSTRUCTIONS**

**COMBO gas/electric ELECTRIC OPERATION**

- 1. For gas operation refer to **Pilot, Pilot Relight or Electronic Ignition OPERATION** section (as applicable).
- 2. For electrical operation use switch at the rear of water heater.
- 3. Completely fill tank with water.


- 4. Turn switch **ON** (FIG 11-B) (located at rear of water heater).
- NOTE: Turning power on to heater without water covering heating element may burn out element and void warranty.
- 5. Check for proper operation. Water temperature is set at 140°F (60° C).
  - 6. If the manual reset high temperature limit switch should operate, reset switch (FIG 11-A) by depressing with pencil or other nonmetallic object. If still experiencing problems contact an authorized Dometic Service Center or Dometic Service Department.

Read **MAINTENANCE AND CARE INSTRUCTIONS.**


**MAINTENANCE AND CARE INSTRUCTIONS**

**SERVICE CALLS & QUESTIONS**

Location and phone numbers of qualified Service Centers can be found at our website <http://www.dometic.com>.

 <b>WARNING</b> <b>FIRE OR EXPLOSION</b>
<ul style="list-style-type: none"> <li>• Shut off gas supply at LP container before disconnecting a gas line.</li> <li>• Keep control compartment clean and free of gasoline, combustible material, and flammable liquids and vapors.</li> </ul>

**AFTERMARKET WATER HEATING ELEMENT DEVICES**

 <b>WARNING</b> <b>EXPLOSION / BURN INJURY</b>
<ul style="list-style-type: none"> <li>• DO NOT alter water heater, it will void warranty.</li> <li>• DO NOT USE Aftermarket heating elements, they can lack critical safety controls.</li> <li>• Use of Aftermarket heating elements can lead to an out of control heating of water tank and a catastrophic wet side explosion.</li> </ul>

The use of any aftermarket heating element devices may also result in damage to components or water heater. Dometic's written warranty states - "failure or damage resulting from any alteration to our water heater is the owner's responsibility". Any alteration, like the addition of an aftermarket heating element device, will void the warranty.

**GENERAL INFORMATION**

- LP and Water system must be turned on.
- Have gas pressure tested periodically. Should be set at 11 inches of water column with three appliances running.
- Drain water heater at regular intervals (at least one time during the year).
- Drain water heater before storing RV for the winter or when the possibility of freezing exists.
- Keep vent and combustion air grill clear of any obstructions.
- Periodically, compare flame of main and pilot burners with FIG 9 and main burner adjustments in **HOW TO OPERATE YOUR WATER HEATER**.
- When water heater is not in use set temperature control lever (White Rogers) or dial (Robertshaw) to lowest possible position. This will reduce the effects of low outdoor temperatures on calibration of temperature control mechanism.
- Presence of soot indicates the need to adjust flue.

**ELECTRONIC IGNITION MAINTENANCE**

- The water heater comes factory-equipped with a fused circuit board, which will protect the circuit board from wiring shorts. If the fuse should activate, the water heater will not operate. Before replacing the fuse, check for a short external to the board. Once the short is corrected, replace the 2 amp fuse with a mini ATO style fuse. Do **not** install a fuse larger than 3 amps.
- If the fuse is good and the unit is inoperative, check for excessively high voltage to the unit (more than 14 volts).
- If the previous two steps did not solve the problem, check the thermal cut-off. The thermal cutoff is a device installed in the power supply line. This device will shut off electrical power and stop heater operation when activated. For example, if an obstruction within the flue tube should occur, such as described above in the Preventative maintenance section, the burner flame/heat may contact the cutoff, resulting in a melting of the fuse element incorporated in the thermal cutoff. In order to restore power and proper operation of the water heater, the obstruction must be removed and the thermal cutoff must be replaced.

## PREVENTATIVE MAINTENANCE

Spiders, mud wasps, and other insects can build nests in burner tube. This causes poor combustion, delayed ignition or ignition outside combustion tube. Listen for a change in burner sounds or in flame appearance from a hard blue flame to a soft lazy flame or one that is very yellow. These are indications of an obstruction in burner tube (FIG 9-C). Inspect and clean on a regular basis.

- Remove air shutter screw (FIG 9-A) and slide air shutter (FIG 9-B) down burner tube.
- Run a flexible wire brush down burner tube (FIG 9-C) until it is visible at end of burner tube.
- Vacuum burner where it enters combustion tube.
- Return air shutter to original position and replace screw.
- The orifice, burner tube and shutter must be aligned so that the shutter is not binding on the air tube.**

## HOW TO CLEAN PILOT MODELS

- Check main burner orifice and pilot assembly for contamination (dirt, spider webs, etc.).
- Clean main burner tube with small brush.
- Main burner adjustment - open air shutter 1/4 way.
- Low pilot flame. Check for contamination - if clean have the pilot orifice replaced.

## HOW TO CLEAN ELECTRONIC IGNITION MODEL

- Check main burner orifice.
- Clean and adjust main burner.
- Main burner and valve manifold must align with each other
- Check electrode for cracked porcelain.
- Check electrode for proper gap - 1/8" between electrode and ground.
- If module board functions intermittently, remove board and clean terminal block with pencil eraser.

## WATER HEATER TANK CARE

### **WARNING** **SCALDING INJURY**

- Turn off water heater and allow time for water to cool before removing drain plug to flush tank.

## WINTERIZING (FLUSHING) INSTRUCTIONS

To insure the best performance of your water heater and add to the life of the tank, periodically drain and flush the water heater tank. Before long term storage or freezing weather drain and flush the tank.

- Turn off main water supply (the pump or water supply (the pump or water hook up source)).
- Drain Water Heater Tank by removing the drain plug. If the water flows sporadically or trickles instead of a steady stream of water, we recommend the following action; first open the Pressure Temperature Relief Valve to allow air into the tank and secondly, take a small gauge wire or coat hanger and poke through the drain opening to eliminate any obstructions.
- After draining the tank, because of the placement of the Drain Plug, approximately two quarts of water will remain in the tank. This water contains most of the harmful corrosive particles. To remove these harmful corrosive particles flush the tank with either air or water. Whether using air or water pressure, it may be applied through the inlet or outlet on the rear of the tank or the Pressure Temperature Relief Valve. (If using the Pressure Temperature Relief Valve the Support Flange must be removed). The pressure will force out the remaining water and the corrosive particles.  
If you use water pressure, pump fresh water into the tank with the assistance of the on-board pump or use external water for 90 seconds to allow the fresh water to agitate the stagnant water on the bottom of the tank and force deposits through the drain opening. Continue repeating adding water and draining until the particles have been cleared from the water remaining in the tank.
- Replace the Drain Plug and close the Pressure Temperature Relief Valve. The approximately two quarts of water remaining in the tank after draining will not cause damage to the tank should freezing occur.

## PRESSURE-TEMPERATURE RELIEF VALVE

### **WARNING** **EXPLOSION**

- Do not place a valve, plug or reducing coupling on outlet part of pressure-temperature relief valve.

A Pressure Temperature Relief Valve, dripping while the water heater is running, DOES NOT mean it is defective. During normal expansion of water, as it is heated in the closed water system of a recreation vehicle, the Pressure Temperature Relief Valve will sometimes drip. The Dometic water heater tank is designed with an internal air gap at the top of the tank to reduce the possibility of dripping. In time, the expanding water will absorb this air and it must be restored.

### **WARNING** **SCALDING INJURY**

- Turn off water heater before opening pressure-temperature relief valve to establish air space. Storage water must be cool.

## TO REPLACE THE AIR GAP FOLLOW THESE STEPS:

- Turn off main water supply (the pump or water hook up source).
- Let water cool or let run until cool.
- Open the hot water faucet closest to the water heater.
- Pull handle of pressure temperature relief valve straight out and allow water to flow until it stops.
- Allow pressure temperature relief valve to snap shut; close faucet; turn on water supply.
- Turn on water heater and test.
  - At least once a year manually operate pressure-temperature relief valve (FIG 10).

When pressure-temperature relief valve discharges again, repeat above procedure. For a permanent solution, we recommend one of the following:

- Install a pressure relief valve in cold water inlet line to water heater and attach a drain line from valve to outside of coach. Set to relieve at 100-125 PSI.
- Install a diaphragm-type expansion tank in cold water inlet line. Tank should be sized to allow for expansion of approximately 15 oz. of water and pre-charged to a pressure equal to water supply pressure. These devices can be obtained from a plumbing contractor or service center.

## FLUSHING TO REMOVE UNPLEASANT ODOR

A rotten egg odor (hydrogen sulfide) may be produced when the electro galvanic action of the cladding material releases hydrogen from the water. If sulfur is present in the water supply the two will combine and produce an unpleasant smell.

- Turn off main water supply. Drain the water heater tank and reinstall drain plug. Remove the pressure-temperature relief valve. Mix solution of 4 parts white vinegar to two parts water. With a funnel, carefully pour solution into tank.
- Cycle water heater with the above solution, letting it run under normal operation 4-5 times.
- Remove the drain plug and thoroughly drain all water from the tank. Flush the water heater to remove any sediment. You may flush the tank with air pressure or fresh water. pressure may be applied through either the inlet or outlet valves on the rear of the tank or through the pressure-temperature relief valve coupling located on the front of the unit.

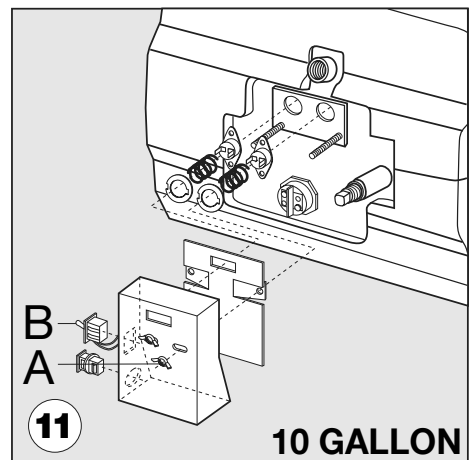
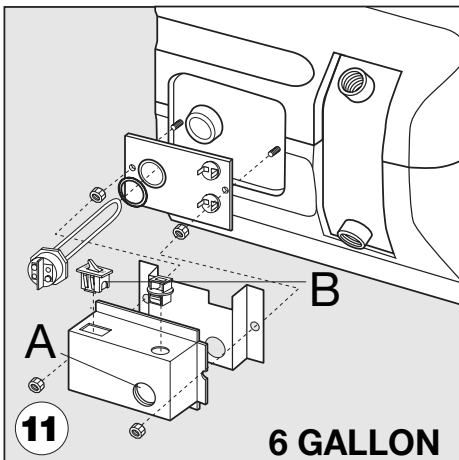
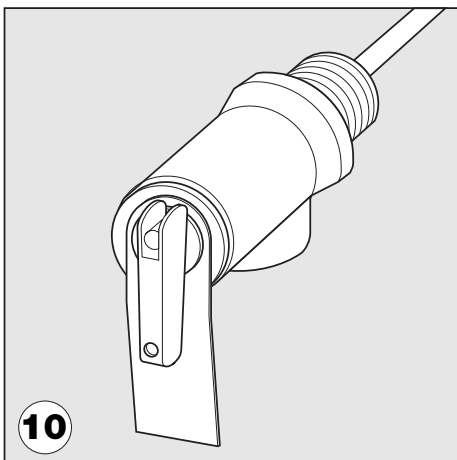
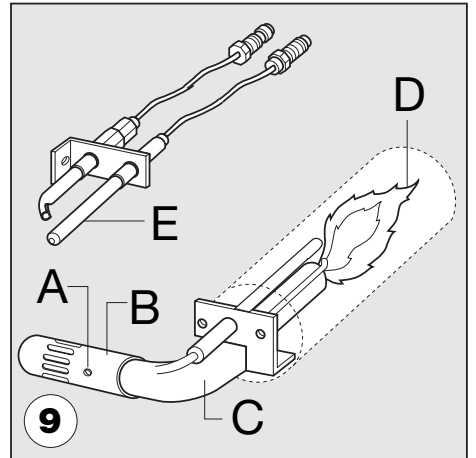
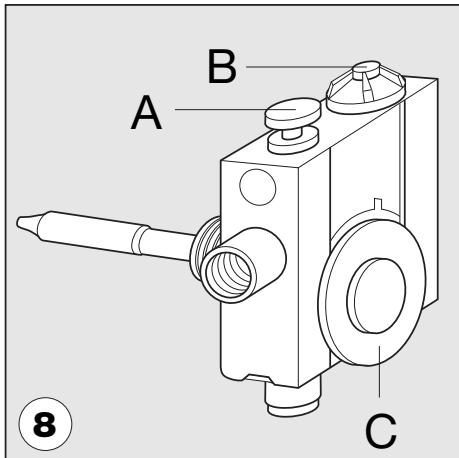
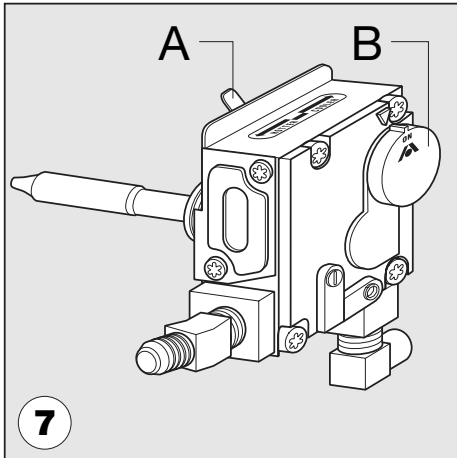
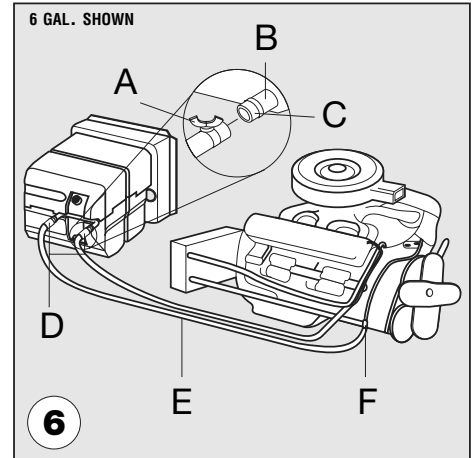
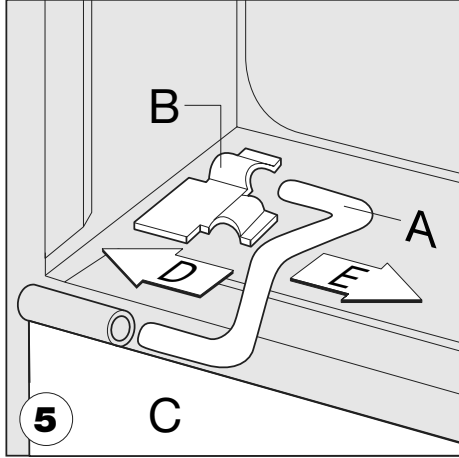
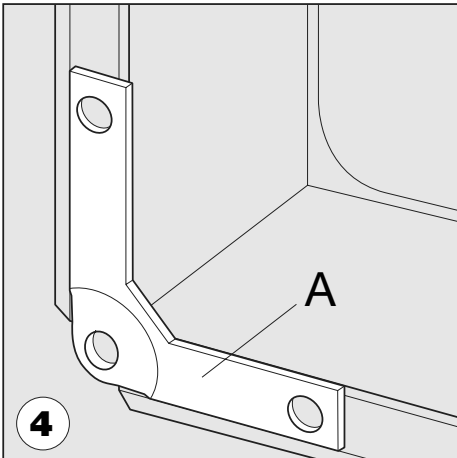
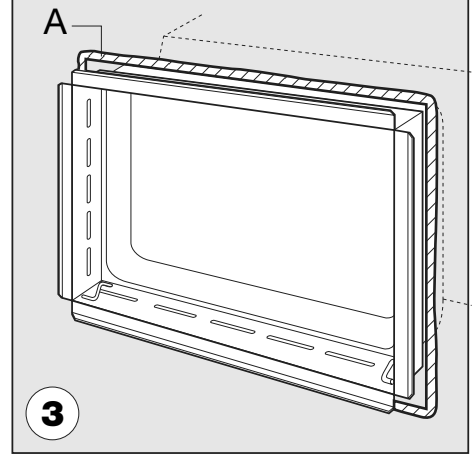
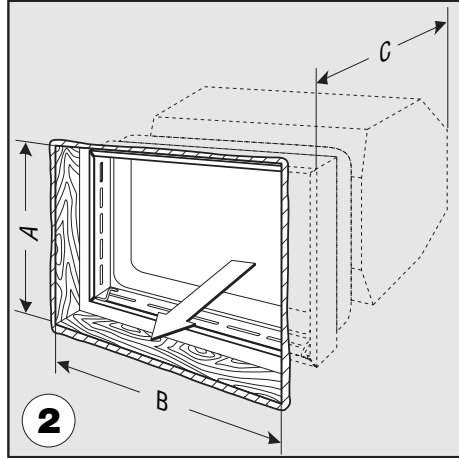
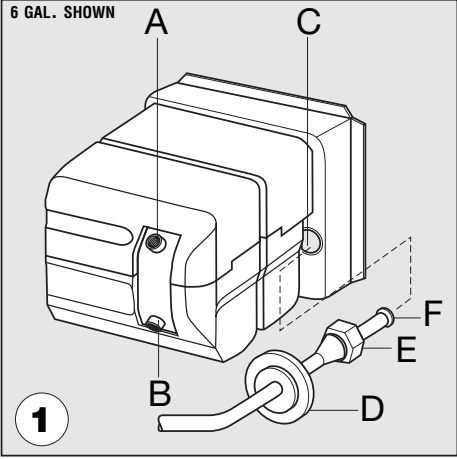
### TO FLUSH TANK WITH AIR PRESSURE:

Insert your air pressure through the pressure-temperature relief valve coupling. With the drain valve open, the air pressure will force the remaining water out of the unit.

### To flush tank with water pressure:

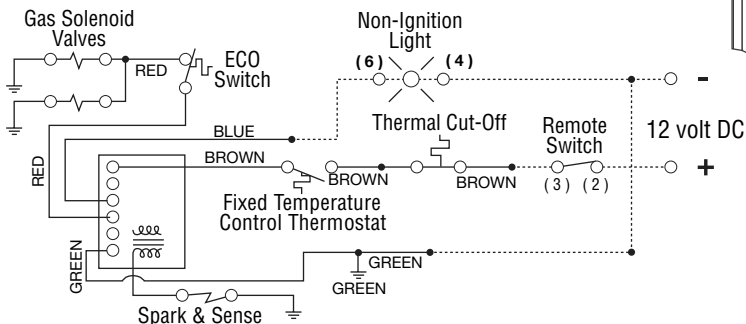
- Fresh water should be pumped into the tank with either the onboard pump or external water pressure. Continue this flushing process for approximately 5 minutes, allowing the fresh water to agitate the stagnant water on the bottom of the tank and forcing the deposits through the drain opening.
- Replace drain plug and pressure-temperature relief valve.
  - Refill tank with fresh water that contains no sulphur.

The Dometic water heater is designed for use in a recreation vehicle. If you use your vehicle frequently or for long periods of time, flushing the water heater several times a year will prolong the life of the storage tank.

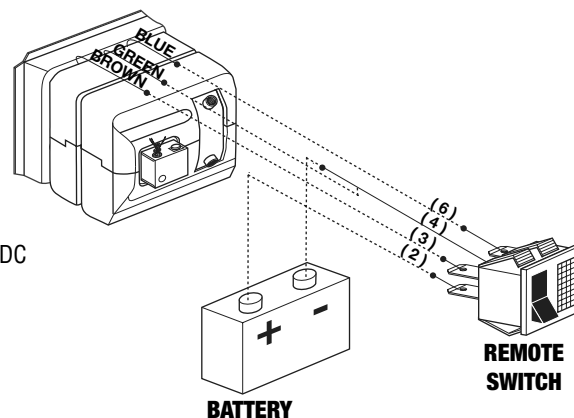


# WIRING DIAGRAMS

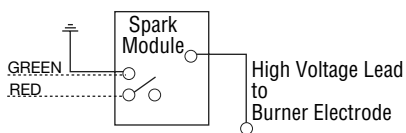
Dotted lines are wired by customer



SPARK IGNITION



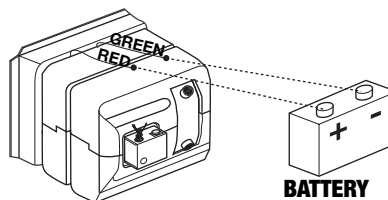
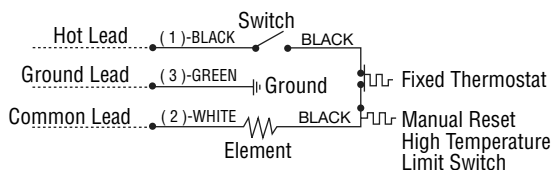
PILOT RELIGHT



**CAUTION**  
ELECTRICAL DAMAGE

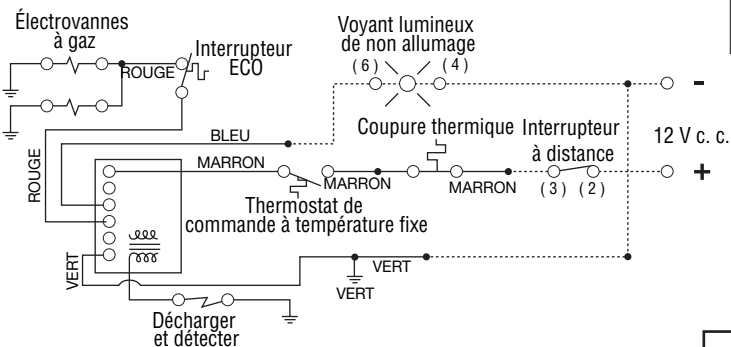
- Label all wires before disconnecting when servicing controls.
- Verify proper operation after servicing.

COMBO gas/electric

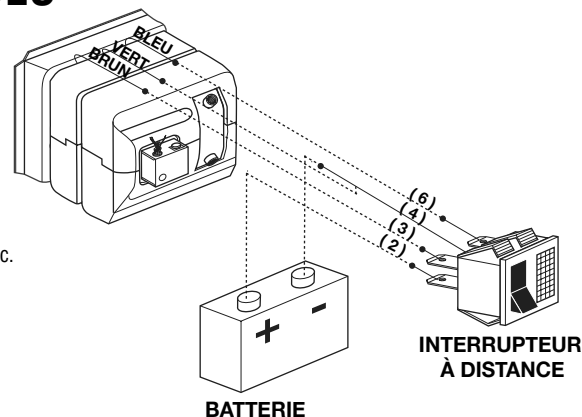


# SCHÉMAS ÉLECTRIQUES

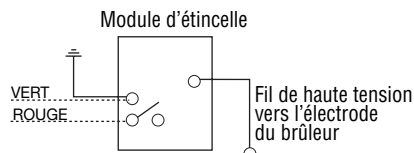
Les lignes en pointillés sont branchées par le client



ALLUMAGE ÉLECTRONIQUE



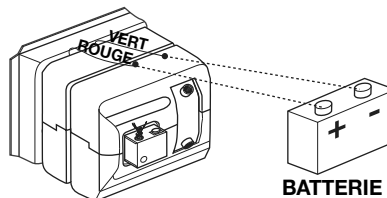
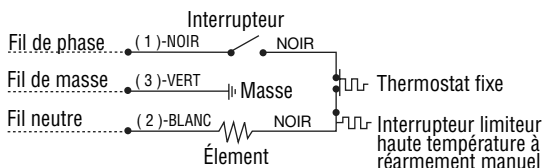
RALLUMAGE DE VEILLEUSE



**ATTENTION**  
DOMMAGES ÉLECTRIQUES

- Lors de la réparation des commandes, étiqueter tous les fils avant de les déconnecter.
- Après toute réparation, vérifier au bon fonctionnement de l'unité.

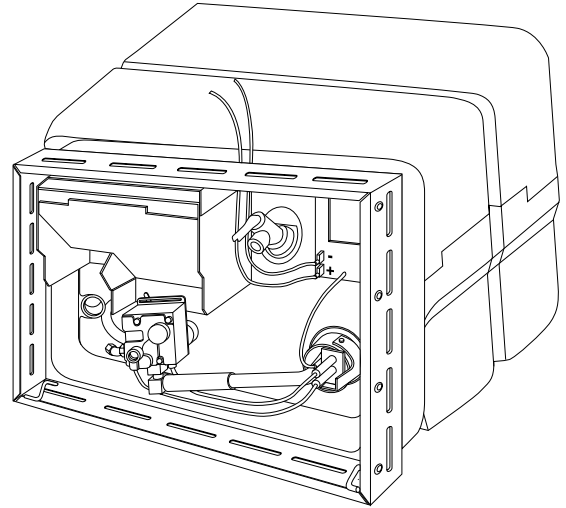
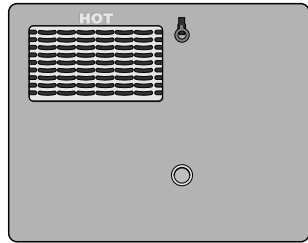
COMBINAISON gaz-électricité



# PART IDENTIFICATION

## IDENTIFICATION DES PIÈCES

WATER HEATER    CHAUFFE-EAU  
PILOT RELIGHT    RALLUMAGE DE VEILLEUSE

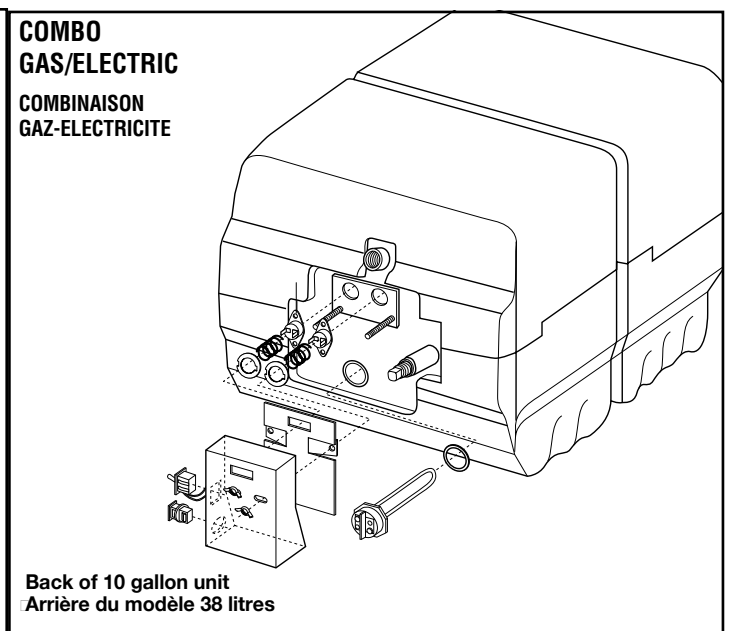
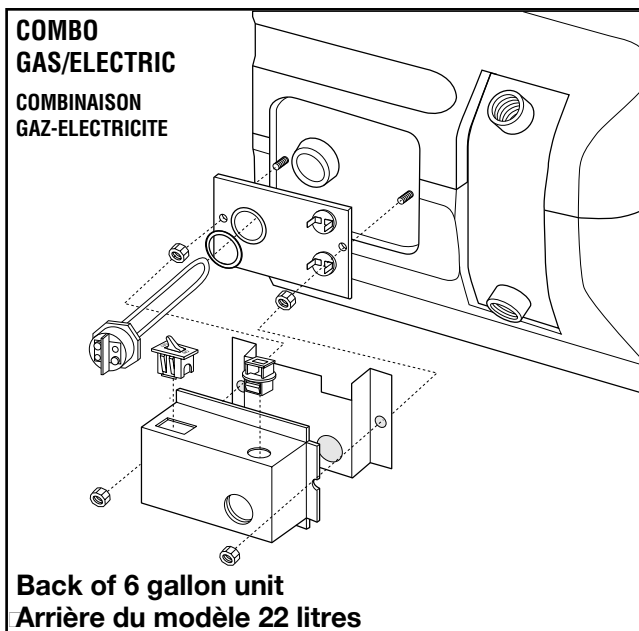


FOR IDENTIFICATION AND REPAIR PARTS GO TO:

**[WWW.DOMETIC.COM](http://WWW.DOMETIC.COM)**

CHOOSE WATER HEATER CATEGORY THEN STYLE OF WATER HEATER

USE MODEL NUMBER LOCATED ON UNIT TO FIND PARTS

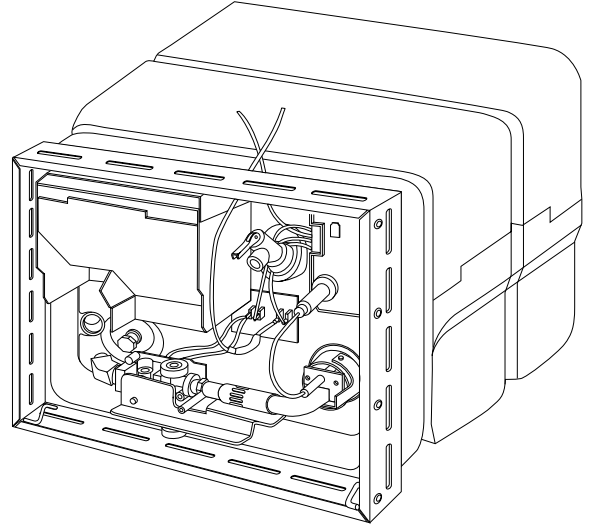
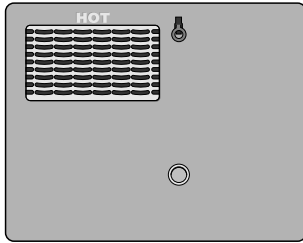




# PART IDENTIFICATION

## IDENTIFICATION DES PIÈCES

SPARK IGNITION ALLUMAGE PAR ÉTINCELLE





#### ENGLISH, FRANCAIS (et Canada)

La conception de ce chauffe-eau a été homologuée par l'Association canadienne de normalisation pour installation à l'intérieur de véhicules de plaisance. **Ce chauffe-eau n'a pas été conçu pour usage sur bateaux.**

#### APPELS ET QUESTIONS D'ENTRETIEN

Les adresses et les numéros de téléphone des centres de service agréés se trouvent sur notre site Internet à <http://www.dometic.com>.

SYMBOLES D'ALERTE DE SÉCURITÉ	
Les symboles d'alerte de sécurité vous avertissent des dangers personnels potentiels. Obéir à tous les messages de sécurité qui suivent ces symboles.	
<b>AVERTISSEMENT</b> évite les blessures corporelles ou les accidents mortels	<b>ATTENTION</b> évite les blessures corporelles et/ou les dommages matériels

L'installation et l'entretien doivent être effectués par un technicien d'entretien qualifié, un centre de service, un équipementier ou un fournisseur de gaz.

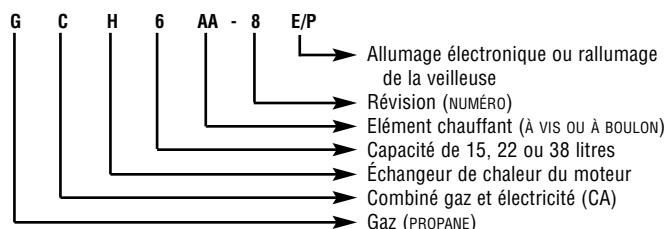
<b>AVERTISSEMENT</b> <b>INCENDIE OU EXPLOSION</b>
<p>• <b>Ne pas suivre à la lettre les instructions contenues dans ce manuel risque d'entraîner un incendie ou une explosion et des dégâts matériels, des blessures voire la perte de vie humaine.</b></p> <p>➤ Ne pas entreposer ni utiliser de carburant ou autres liquides et vapeurs inflammables à proximité de cet appareil ou de tout autre appareil.</p> <p><b>QUE FAIRE SI VOUS SENTEZ DU GAZ ?</b></p> <ul style="list-style-type: none"> <li>• Evacuer TOUS les passagers du véhicule.</li> <li>• Couper l'alimentation en gaz au niveau du réservoir ou à la source.</li> <li>• NE toucher AUCUN interrupteur électrique, n'utiliser ni le téléphone, ni la radio à l'intérieur du véhicule.</li> <li>• NE PAS démarrer le véhicule ou le générateur électrique.</li> <li>• Contacter le fournisseur en gaz ou le technicien d'entretien qualifié le plus proche pour effectuer toute réparation.</li> <li>• S'il est impossible de joindre un fournisseur en gaz ou un technicien d'entretien qualifié, contacter la caserne de pompiers la plus proche.</li> <li>• NE PAS ouvrir l'alimentation en gaz avant que la ou les fuites soient réparées.</li> </ul>

#### •Installation •Fonctionnement •Entretien

Révision A, 10/11/18

CHAUFFE-EAU IDENTIFICATION DU MODÈLE .....	10
DIMENSIONS .....	10
POIDS .....	10
INFORMATIONS SUR LA SÉCURITÉ .....	11-13
CHAUFFE-EAU INSTALLATION GÉNÉRALE .....	11-12
Installation du câblage pour l'allumage électronique	
Installation du câblage pour le rallumage de la veilleuse	
Échangeur de chaleur	
Combinaison gaz-électricité	
CHAUFFE-EAU FONCTIONNEMENT DE LA VEILLEUSE .....	12-13
Allumage électronique	
Rallumage de la veilleuse	
Combinaison gaz-électricité	
CHAUFFE-EAU ENTRETIEN .....	13-15
Allumage électronique	
Électrique	
FIGURES 1-11 .....	16
SCHEMAS ÉLECTRIQUES .....	8-9
IDENTIFICATION DES PIÈCES .....	6
SCHEMAS ELECTRIQUES .....	7

#### EXPLICATION DU NUMÉRO DE MODÈLE (EXEMPLE)



**- SI VOTRE NUMÉRO DE MODÈLE N'APPARAÎT PAS SUR LA LISTE -**  
Les numéros reflétant une révision plus ancienne pourront être le **3, 4, 6, 7, 8 ou 9 ( \_ \_ \_ \_ - X )**

Quel que soit votre numéro de révision, les présentes instructions sont généralement valables pour votre unité. Pour toute question, contacter votre distributeur, un centre de service Dometic ou le service à la clientèle Dometic.

EXPLICATION DU NUMÉRO DE MODÈLE				
TYPE	15 LITRES	22 LITRES		38 LITRES
Allumage de la veilleuse	G4-7	G6A-7 GC6AA-8	GC6AA-8P GH6-7	G10-2 G10-2P GC10-2P
Allumage électronique		G6A-8E GC6AA-9E	GCH6A-9E GH6-8E	G10-3E GCH10A-3E GC10A-3E GH10-3E
<b>Rallumage de la veilleuse</b>	<b>P SUR LE MODÈLE No. - VOIR LES EXPLICATIONS CI-DESSUS</b>			
<b>Échange de chaleur</b>	<b>H SUR LE MODÈLE No. - VOIR LES EXPLICATIONS CI-DESSUS</b>			
<b>Allumage électronique</b>	<b>E SUR LE MODÈLE No. - VOIR LES EXPLICATIONS CI-DESSUS</b>			
<b>Combinaison gaz-électricité</b>	<b>C SUR LE MODÈLE No. - VOIR LES EXPLICATIONS CI-DESSUS</b>			
DIMENSIONS				
TOUS MODÈLES	LARGEUR	HAUTEUR		
22 LITRES	40,6 CM	31,8 CM		
38 LITRES	40,6 CM	39,4 CM		
				<b>POIDS A L'ENVOI</b>
				22 LITRES 11,34 KG
				38 LITRES 14,5 KG



## AVERTISSEMENTS IMPORTANTS POUR L'INSTALLATION

- Installer dans les véhicules de plaisance uniquement. Les véhicules de plaisance sont conçus comme résidences temporaires pour les vacances, le camping ou les voyages ; ils fonctionnent de façon autonome ou sont parfois remorqués par un autre véhicule.
- Tout l'air de combustion doit provenir de l'extérieur du véhicule de plaisance et tous les produits de la combustion doivent être évacués vers l'extérieur du véhicule de plaisance.
- NE PAS évacuer l'air du chauffe-eau par un système d'évacuation servant à un autre appareil.
- NE PAS évacuer l'air du chauffe-eau vers un espace extérieur couvert.
- Protéger les matériaux de construction des gaz de carneau.
- Installer le chauffe-eau sur un mur extérieur, avec une trappe d'accès donnant vers l'extérieur.
- NE modifier le chauffe-eau en AUCUNE façon.
- NE PAS modifier le chauffe-eau pour une mise à la terre positive.
- NE PAS faire d'essai diélectrique du chauffe-eau sans avoir débranché l'allumage électronique (carte de circuit imprimé).
- NE PAS utiliser de chargeur de batterie pour alimenter le chauffe-eau, même lors des essais.

### USA ET CANADA - SUIVRE LES CODES NATIONAUX ET LOCAUX EN VIGUEUR - À DÉFAUT DE CODES OU RÉGLEMENTATIONS LOCAUX, SE REPORTER AUX NORMES ACTUELLES DE :

- Véhicules de plaisance ANSI/NFPA 1192.
- Code national de carburant et de gaz ANSI Z223.1 et/ou codes d'installation CAN/CGA B149. Norme fédérale de sécurité et de construction de maisons mobiles, titre 24 CFR, partie 3280 ; lorsque cette norme n'est pas applicable, utiliser la norme d'installation de maisons préfabriquées (Manufactured Home Sites, Communities and Set-Ups), ANSI A255.1 et/ou la série CAN/CSA-Z240 MH, maisons mobiles. Conforme à ANSI Z21.10.1/CSA 4.1 - toute dernière édition.
- Code électrique national ANSI/NFPA No. 70 et/ou CSA C22.1.
- Caravanes de parc A119.5.
- Norme CSA de série Z240 RV, véhicules de plaisance.

## INSTALLATION GÉNÉRALE

Cette méthode d'installation est l'une des plus répandue pour les chauffe-eau. Il existe d'autres méthodes homologuées telles que les installations de compartiment à bagages (Cf. MPD 90093) ou d'encastrement (Cf. MPD 93948). Consulter votre inspecteur sur le terrain, votre responsable de compte ou le service à la clientèle Dometic pour toute question supplémentaire.

1. Poser le chauffe-eau par terre, dans le véhicule, avant de construire les parois latérales. Le réservoir du chauffe-eau doit toujours être positionné au même niveau que le bas de la découpe de la paroi latérale (au sol ou sur un support surélevé).
2. L'installation du chauffe-eau sur de la moquette doit se faire sur un panneau en métal ou en bois de 7 ou 8 cm plus large et plus profond que la taille totale de l'appareil.
3. Si l'appareil est installé dans un lieu où le branchement et les fuites du réservoir risquent d'endommager les zones environnantes, installer sous le chauffe-eau un système d'écoulement donnant vers l'extérieur du véhicule.
4. Brancher les deux conduites d'eau de 1,27 cm NPT - sortie femelle d'eau chaude (FIG 1-A) et entrée femelle d'eau froide (FIG 1-B), ainsi que les conduites de gaz PL évasées de 0,95 cm (FIG 1-C).
  - a. Permettre une certaine flexibilité des conduites d'eau et de gaz pour pouvoir tirer l'unité en avant, par le mur à 2,5 cm au-delà de l'enveloppe extérieure (FIG 2).
  - b. Étanchéiser l'ouverture d'admission de la conduite de gaz en glissant l'œillet (FIG 1-D) sur le tube de 9,5 mm (FIG 1-F) avant de l'évaser (FIG 1-F). Faire passer la conduite de gaz et l'œillet par l'ouverture du logement (FIG 1-C). Brancher le raccord conique (FIG 1-E) et enfoncer l'œillet dans l'ouverture. Si la conduite de gaz est déjà évasée, couper l'œillet d'un côté. Placer l'œillet fendu sur la conduite de gaz et l'enfoncer dans l'ouverture.
  - c. Toujours mettre du lubrifiant de tuyau sur le filet, lorsqu'on relie les accouplements d'eau chaude et d'eau froide. L'utilisation d'un raccord en plastique adapté est préférable.



## ATTENTION ENDOMMAGEMENT DU PRODUIT

- Ne pas soulever, tirer ou pousser le tube du brûleur principal (FIG 3-F).

5. Construire les parois latérales et découper l'ouverture. Cf. tableau et FIG 2 A & B. Utiliser des montants de 2x2 (ou équivalent) pour l'encadrement.

## DÉCOUPE

CAPACITÉ LITRES	DIMENSION DE LA DÉCOUPE		PROFONDEUR C
	A	B	
15 - 22	32 cm	41 cm	44,75 cm
38	40 cm	42,5 cm	52,4 cm

**DISTANCE MINIMALE PAR RAPPORT À TOUT MATÉRIAU DE CONSTRUCTION COMBUSTIBLE**

Côtés : 0 cm	Haut : 0 cm
Arrière : 0 cm	Bas : 0 cm

6. Suivre les marques et plier tous les rebords à 90° (FIG 3).
  7. Pour éviter les fuites d'eau, appliquer du mastic tout autour de l'ouverture, y compris dans les fentes de pliage (FIG 3-A). Il est possible de substituer une bande adhésive de butyle au mastic (2,54 cm x 0,3 cm).
  8. Pousser l'unité contre le mastic, fixer les 4 équerres de fixation (FIG 4-A) au véhicule à l'aide de vis à tête ronde No.8, de 1,9 cm (non-fournies) ou l'équivalent. Terminer l'installation en insérant le même type de vis No. 8 dans les orifices situés sur le bord du logement du chauffe-eau. Vérifier tous les joints, ils doivent à l'adhérer pan créer un joint étanche.
  9. Fixer la trappe d'accès (FIG 5).
    - a. Enfoncer l'axe de la charnière (FIG 5-A) dans le logement de la charnière (FIG 5-B).
    - b. Faire glisser le couvercle (FIG 5-C) sur l'axe de la charnière.
    - c. Glisser l'axe de la charnière dans le couvercle, tout en l'enfonçant dans le logement de la charnière (FIG 5-D).
- REMARQUE : pour retirer l'axe de la charnière, soutenir le couvercle d'accès et appuyer sur le coin de l'axe de la charnière, comme le montre l'illustration FIG 5-E.
10. Débrancher l'unité et son robinet d'arrêt individuel de la conduite d'alimentation en gaz lors de tout test de pression du système au-delà de 3,4 kPa, 355 mm de colonne d'eau (C.E.). NE PAS régler la pression d'admission au-delà du maximum indiqué sur la plaque signalétique du clapet à gaz (330 mm C.E.). Isoler l'unité de la conduite d'alimentation en gaz en fermant le robinet d'arrêt manuel individuel lors de tout test de pression supérieur ou égal à 3,4 kPa.



## AVERTISSEMENT INCENDIE ET/OU EXPLOSION

- NE PAS utiliser d'allumettes, de bougies ou toute autre source d'allumage pour contrôler la présence éventuelle de fuites de gaz.

11. Ouvrir l'alimentation en gaz et s'assurer que le chauffe-eau et les différents raccords de gaz ne comportent pas de fuites, à l'aide d'une solution de détection de fuites.
12. Remplir le réservoir du chauffe-eau ; vérifier que les différents raccords ne comportent pas de fuites d'eau (FIG 1 A & B).

### SOUPAPE DE DÉCHARGE DE TYPE PRESSION-TEMPÉRATURE - (FIG 10)



## AVERTISSEMENT BRÛLURES

- La soupape ne se prête pas aux réparations, elle devra être remplacée.
- Toucher à la soupape risque de provoquer des brûlures.
- Toucher à la soupape annulera la garantie.



## AVERTISSEMENT EXPLOSION

- NE PAS placer de robinet, de bouchon ou de raccord de réduction sur la sortie de la soupape de décharge.

LA SOUPAPE EST UN ÉLÉMENT DE SÉCURITÉ ET NE DOIT PAS ÊTRE RETIRÉE SAUF EN CAS DE REMPLACEMENT. Ce chauffe-eau est équipé d'une soupape de décharge de type pression-température en conformité avec les normes sur les soupapes de décharge et les mécanismes de coupure automatique de l'alimentation en gaz pour systèmes à eau chaude ANSI Z21.22.

En cas d'utilisation d'un tuyau d'écoulement, ne pas utiliser de raccord réducteur ou toute autre restriction qui soit inférieure en diamètre à la sortie de la soupape de décharge. Laisser la soupape et la conduite s'écouler complètement.

#### PIÈCES DE RECHANGE :

- Installer AU MINIMUM une soupape de décharge combinée de type température-pression homologuée par un laboratoire de test reconnu au niveau national, qui inspecte régulièrement les produits d'équipement ou de matériaux concernés, selon les normes pour les soupapes de décharge et les mécanismes de coupure automatique de l'alimentation en gaz pour systèmes à eau chaude ANSI Z21.22. Le réglage de la pression de la soupape ne doit pas dépasser 1034 kPa.
- Installer la soupape dans l'ouverture prévue et marquée à cet effet sur le chauffe-eau.
- L'installation doit être conforme aux codes locaux ou, faute de codes locaux, à la norme américaine nationale pour véhicules de plaisance ANSI A119.2/NFPA 501C.
- En cas de source électrique externe, cet appareil doit être mis à la terre selon le Code électrique national ANSI/NFPA70.

Votre chauffe-eau à gaz Dometic est maintenant prêt à fonctionner. Passer à **COMMENT UTILISER VOTRE CHAUFFE-EAU**.

Pour l'allumage électronique, passer à **INSTRUCTIONS DE CÂBLAGE** pour l'allumage électronique.

Pour le rallumage de la veilleuse, passer à **INSTRUCTIONS DE CÂBLAGE** pour le rallumage de la veilleuse.

#### Continuer pour l'ÉCHANGE DE CHALEUR —

1. Pousser un tuyau de système de refroidissement 2 ou 3 d'un diamètre de 1,6 cm avec un collier SAE 053 Type E attaché aussi loin que possible (FIG 6-E) sur le tube de l'échangeur (FIG 6-B).
2. Ouvrir le collier, le faire glisser vers l'échangeur de chaleur, au-delà de la rainure annulaire (FIG 6-C), puis le relâcher.
3. Passer à **COMMENT UTILISER VOTRE CHAUFFE-EAU** et/ou **FONCTIONNEMENT** de l'allumage électronique.

Suite pour les **MODÈLES COMBINÉS GAZ-ÉLECTRICITÉ** — Ce chauffe-eau a été conçu pour fonctionner au gaz, à l'électricité ou aux deux. Laisser suffisamment d'espace à l'arrière de l'unité pour réparer les raccordements de l'eau et pour régler l'interrupteur limiteur de haute température à réarmement manuel, pour les unités combinées gaz-électricité.

#### 1. Suivre les instructions d'INSTALLATION GÉNÉRALE.

REMARQUE : tout le câblage doit être conforme aux codes électriques en vigueur.

### ATTENTION ENDOMMAGEMENTS DU PRODUIT

- Lorsque vous utilisez du Romex® avec une mise à la terre nue, faire attention de placer le fil de mise à la terre de manière à ce qu'il n'entre pas en contact avec les bornes de l'élément chauffant.
- Utiliser un conduit électrique métallique, un conduit métallique souple, un câble à blindage métallique ou un câble blindé non-métallique avec fil de masse. Le fil doit avoir une capacité supérieure ou égale à 1500 watts. La méthode de câblage doit être conforme aux sections applicables de l'article 551 du Code électrique national ANSI/NFPA 70.
- 2. Consulter le schéma électrique. Faire les branchements de 120 VCA à partir du boîtier de dérivation au dos de l'appareil.
  - a. Brancher le fil de phase sur le noir (1).
  - b. Brancher le fil neutre sur le blanc (2).
  - c. Brancher le fil de masse de l'alimentation électrique sur le fil de masse vert (3) à l'intérieur du boîtier de dérivation 3. Mettre l'interrupteur en position arrêt (OFF).
- Lorsque vous effectuez une connexion avec un fil et une fiche, pour alimenter le chauffe-eau, le fil doit être homologué UL et convenir aux lieux humides et aux usages intenses et super intenses. Le fil doit être souple, de type S, SO, ST, STO, SJ, SJT, SJTO, HS ou HSO, selon les normes du Code électrique national, ANSI/NFPA 70. La longueur du fil menant au chauffe-eau, mesurée à partir de la fiche, ne doit pas dépasser 1,8 m, ni être inférieure à 0,6 m. Le fil d'alimentation électrique doit avoir une taille minimale de 14 AWG et la fiche doit posséder une capacité nominale de 15 ampères.

### ATTENTION ENDOMMAGEMENTS ÉLECTRIQUES

- Lors de la réparation des commandes, étiqueter tous les fils avant de les déconnecter.
- Après toute réparation, vérifier le bon fonctionnement de l'unité.

Pour le fonctionnement au gaz, passer à **COMMENT UTILISER VOTRE CHAUFFE-EAU**, et pour le fonctionnement électrique, passer à **FONCTIONNEMENT COMBINÉ** gaz-électricité.

#### INSTRUCTIONS DE CÂBLAGE POUR L'ALLUMAGE ÉLECTRONIQUE

##### 1. Installer l'unité selon les instructions d'INSTALLATION GÉNÉRALE.

REMARQUE : il est recommandé de brancher l'unité directement sur une batterie de 12 VCC ou en aval du filtre du convertisseur électrique CA-CC. Éviter, autant que possible, tout branchement en amont du convertisseur CA-CC. Utiliser un fil de taille 18 homologué UL et CSA. Consulter le **SCHÉMA ÉLECTRIQUE**. Installer l'interrupteur de commande à distance dans un endroit pratique. Positionner la plaque murale, les lettres debout. Avant d'effectuer le branchement, mettre l'interrupteur en position arrêt (OFF). L'interrupteur est en arrêt (OFF) lorsque le bouton est enfoncé vers la broche (3).

##### 2. Branchement des fils :

- a. Le fil bleu sur la broche de l'interrupteur (6), sur le voyant lumineux de l'interrupteur.
- b. La broche (4) du voyant de l'interrupteur sur la borne négative de la batterie.
- c. Le fil vert sur la borne négative de la batterie.
- d. Le fil marron du chauffe-eau sur la broche (3) de l'interrupteur.
- e. La broche (2) de l'interrupteur sur la borne positive de la batterie.

##### 3. Lire **FONCTIONNEMENT DE L'ALLUMAGE ÉLECTRONIQUE**.

#### INSTRUCTIONS DE CÂBLAGE POUR LE RALLUMAGE DE LA VEILLEUSE

##### 1. Installer l'unité selon les instructions d'INSTALLATION GÉNÉRALE.

2. Consulter le schéma électrique. Utiliser du fil de taille 18 homologué UL et CSA.

##### 3. Lire **FONCTIONNEMENT DE LA VEILLEUSE** et **FONCTIONNEMENT DU RALLUMAGE DE LA VEILLEUSE**.

### CONSIGNES DE SÉCURITÉ DESTINÉES AU CONSOMMATEUR

#### AVERTISSEMENT EXPLOSION OU INCENDIE

- NE PAS entreposer ou utiliser de carburant ou tout autre liquide ou vapeurs inflammables à proximité de cet appareil ou de tout autre appareil.
- En cas de surchauffe ou si l'alimentation en gaz ne s'arrête pas convenablement, mettre le robinet d'alimentation en gaz de l'unité en position arrêt (OFF) ou fermer le gaz au niveau du réservoir de propane liquide. Sur le **MODÈLE À ALLUMAGE ÉLECTRONIQUE**, mettre l'interrupteur de commande en position arrêt (OFF) et retirer le fil rouge de la borne gauche de l'interrupteur ECO ou fermer le gaz au niveau du réservoir de propane liquide.
- Utiliser uniquement avec du gaz de propane liquide.
- Lors du ré-approvisionnement en carburant, éteindre les appareils à gaz et les veilleuses.
- Sur les **MODÈLES AVEC RALLUMAGE DE LA VEILLEUSE**, éteindre le module d'allumage lors du ré-approvisionnement en carburant dans les réservoirs à carburant ou à propane liquide.
- Éteindre le gaz au niveau du réservoir à propane liquide, lorsque le véhicule est en déplacement. Cela permet de désactiver tous les appareils et toutes les veilleuses. Les appareils à gaz ne doivent jamais fonctionner lorsque le véhicule se déplace. Des mouvements d'air imprévisibles risqueraient d'entraîner un retour de flamme dans le tube du brûleur, ce qui pourra causer des endommagements par le feu. Le fusible de coupure thermique pourra également être activé accidentellement et éteindre complètement le chauffe-eau. Le système de coupure thermique devra alors être remplacé. Consulter l'entretien des chauffe-eau à allumage électronique pour plus de détails sur la coupure thermique.
- Les réservoirs à propane liquide devront être remplis uniquement par un fournisseur en gaz qualifié.

### COMMENT UTILISER VOTRE CHAUFFE-EAU

#### ATTENTION INCENDIE

- Ne pas fumer ou tenir de flamme à proximité d'un robinet ouvert.

Si le chauffe-eau n'a pas été utilisé pendant plus de deux semaines, il est possible que de l'hydrogène se soit formé dans la conduite d'eau. Dans ces conditions, avant d'utiliser tout appareil électrique branché sur le système d'eau chaude, faire couler l'eau du robinet d'eau chaude de l'évier de la cuisine pendant plusieurs minutes pour réduire le risque de blessures.

En cas de présence d'hydrogène dans les conduites, vous entendrez probablement l'air s'échapper du tuyau, lorsque l'eau commence à couler.

 **AVERTISSEMENT  
BRÛLURES**

- Ne pas toucher l'orifice de la veilleuse.

 **ATTENTION  
PANNE DE L'APPAREIL**

- Ne pas faire fonctionner sans eau dans le réservoir.

### FONCTIONNEMENT DE LA VEILLEUSE

1. Mettre le robinet de commande du gaz (FIG 7-B ou FIG 8-B) en position arrêt (OFF).
2. Attendre au moins 5 minutes pour permettre au gaz accumulé dans le compartiment du brûleur de s'échapper.
3. Le chauffe-eau pourra comporter une commande White Rodgers®, ou une commande Robertshaw Unitrol® FIG 7.

### POUR LES COMMANDES WHITE RODGERS® (FIG 7)

- a. Tourner le bouton de commande de l'allumage (FIG 7-B) en position **VEILLEUSE** (PILOT) et le maintenir contre la butée pendant l'allumage de la veilleuse (FIG 9-D).
- b. Laisser la veilleuse brûler pendant 30 secondes puis relâcher le bouton de commande de l'allumage.
- c. Mettre le bouton de commande de l'allumage (FIG 7-B) en position allumée (ON).
- d. Si la veilleuse ne reste pas allumée, répéter l'opération en gardant le bouton de commande de l'allumage appuyé plus longtemps.
- e. Positionner le levier du thermostat (FIG 7-A) sur le repère situé entre la position chaude (WARM) et très chaude (HOT).
- f. Fermer la trappe d'accès.

### POUR LES COMMANDES ROBERTSHAW UNITROL® (FIG 8)

- a. Tourner le cadran de réglage de l'allumage (FIG 8-B) sur la position **VEILLEUSE** (PILOT).
  - b. Appuyer sur le bouton-poussoir de réarmement (FIG 8-A) et le maintenir appuyé, tout en allumant le brûleur de la veilleuse (FIG 9-D).
  - c. Laisser la veilleuse brûler pendant 30 secondes avant de relâcher le bouton-poussoir de réarmement.
  - d. Si la veilleuse ne reste pas allumée, répéter l'opération en gardant le bouton-poussoir de réarmement appuyé plus longtemps.
  - e. Mettre le cadran de réglage de l'allumage (FIG 8-B) en position allumée (ON).
  - f. Régler le cadran du thermostat (FIG 8-C) à une température moyenne, entre chaud (warm) et très chaud (hot).
  - g. Fermer la trappe d'accès.
4. Pour éteindre complètement l'unité ou pour toute réparation, placer le robinet de commande du gaz (FIG 7-B ou FIG 8-B) sur la position éteinte (OFF). Lors des périodes de non-utilisation du chauffe-eau, régler le levier (White Rogers®) ou le cadran (Robertshaw®) du thermostat sur la position la plus basse possible.

 **AVERTISSEMENT  
BRÛLURES**

- Régler le cadran à une température plus élevée aura pour résultat de l'eau brûlante.

Le bouton ou le levier de commande de la température est réglé au plus bas à l'usine. Comme indiqué ci-dessus, nous vous conseillons d'utiliser un réglage moyen, entre chaud et très chaud. Cela permet un fonctionnement éconergétique, tout en garantissant que l'eau est suffisamment chaude. Il est possible d'installer des robinets mélangeurs, permettant de régler la température de l'eau au point d'utilisation. S'adresser à un plombier agréé ou aux autorités locales de plomberie.

### 5. Réglage du brûleur principal (FIG 9) :

1. Desserrer la vis de l'obturateur d'air (FIG 9-A).
2. Faire glisser l'obturateur d'air (FIG 9-B) vers la droite, jusqu'à ce que du jaune apparaisse dans la flamme du brûleur principal.

3. Glisser l'obturateur d'air (FIG 9-B) vers la gauche jusqu'à ce que le jaune disparaisse.

4. Resserrer la vis de l'obturateur d'air (FIG 9-A).

### LIRE LES INSTRUCTIONS POUR L'ENTRETIEN

### FONCTIONNEMENT DE L'ALLUMAGE ÉLECTRONIQUE

1. Consulter le **SCHEMA DE CÂBLAGE**. Mettre la commande à distance en position allumée (ON).
2. Si la commande à distance reste allumée pendant plus de 15 secondes, la placer en position éteinte (OFF) et attendre 5 minutes.
3. Répéter la première étape.
4. Pour éteindre complètement l'unité et avant d'effectuer des réparations :
  - a. Mettre la commande à distance en position éteinte (OFF).
  - b. Enlever le fil rouge de la borne gauche de l'interrupteur ECO (ECO au robinet).
5. Si le chauffe-eau ne fonctionne pas car la température de l'eau est trop élevée, il se verrouille (voyant lumineux allumé). Une fois l'eau refroidie, remettre l'interrupteur en position éteinte (OFF) pendant au moins 30 secondes, puis repasser à la position allumée (ON).
6. Si le verrouillage persiste, contacter un centre de service Dometic. Lire les **INSTRUCTIONS POUR L'ENTRETIEN** et **L'ENTRETIEN DE L'ALLUMAGE ÉLECTRONIQUE**.

### FONCTIONNEMENT DU RALLUMAGE DE LA VEILLEUSE

1. Mettre l'interrupteur situé sur le module d'allumage en position allumée (ON).
2. Lire les instructions **FONCTIONNEMENT DE LA VEILLEUSE**.
3. Pour éteindre complètement l'unité, mettre le bouton de commande de l'allumage situé sur le thermostat et sur le module d'allumage en position éteinte (OFF).

### Lire LES INSTRUCTIONS POUR L'ENTRETIEN

### FONCTION COMBINÉE gaz-électricité

1. Pour le fonctionnement au gaz, se reporter à la section **FONCTIONNEMENT de la veilleuse, FONCTIONNEMENT du rallumage de la veilleuse ou FONCTIONNEMENT de l'allumage électronique** (le cas échéant).
2. Pour le fonctionnement électrique, utiliser l'interrupteur situé à l'arrière du chauffe-eau
3. Remplir complètement le réservoir avec de l'eau.
4. Mettre l'interrupteur situé à l'arrière du chauffe-eau en position allumée (ON) (FIG 11-B).

REMARQUE : allumer l'élément chauffant sans l'immerger dans l'eau risque de brûler l'élément et donc d'annuler la garantie.

5. Vérifier le bon fonctionnement de l'unité. La température de l'eau est réglée sur 60°C.
6. Si l'interrupteur limiteur de haute température à réarmement manuel se déclenche, réarmer l'interrupteur (FIG 11-A) en appuyant dessus à l'aide d'un crayon ou de tout autre objet non métallique. Si les problèmes persistent, contacter un centre de service agréé Dometic ou le centre de service à la clientèle Dometic.

### Lire LES INSTRUCTIONS POUR L'ENTRETIEN.

## INSTRUCTIONS POUR L'ENTRETIEN

### APPELS ET QUESTIONS D'ENTRETIEN

Les adresses et les numéros de téléphone des centres de service agréés se trouvent sur notre site Internet <http://www.dometic.com>.

 **AVERTISSEMENT  
INCENDIE OU EXPLOSION**

- Fermer l'alimentation en gaz au niveau du réservoir de propane liquide avant de débrancher la conduite de gaz.
- S'assurer que le compartiment de commande est propre et ne comporte pas de carburant, de matériaux combustibles ou de liquides ou vapeurs inflammables.

## ÉLÉMENTS DE CHAUFFE D'EAU DE MARCHÉ SECONDAIRE

### **AVERTISSEMENT** **EXPLOSION / BRÛLURES**

- NE PAS modifier le chauffe-eau, sous peine d'annuler la garantie.
- NE PAS utiliser d'éléments de chauffe de marché secondaire, car ils risquent de ne pas avoir fait l'objet de certains contrôles de sécurité importants.
- L'utilisation d'éléments de chauffe de marché secondaire comporte le risque de perte de contrôle du chauffage du réservoir à eau et d'explosion d'eau catastrophique.

L'utilisation d'éléments de chauffe provenant de fabricants de marché secondaire pourra également entraîner des endommagements des composantes ou du chauffe-eau. La garantie écrite Dometic stipule que « la responsabilité d'un mauvais fonctionnement ou de dommages causés par une modification au chauffe-eau revient à l'acheteur ». Toute modification, telle que, par exemple, le rajout d'un élément de chauffe de marché secondaire, annule la garantie.

### INFORMATIONS GÉNÉRALES

- Le système de propane liquide et le système à eau doivent être allumés.
- Faire tester la pression du gaz régulièrement. La pression doit être réglée à 279 mm de colonne d'eau, lorsque 3 appareils fonctionnent.
- Évacuer l'eau contenue dans le chauffe-eau à intervalles réguliers (au moins une fois par an).
- Évacuer l'eau contenue dans le chauffe-eau avant de garer votre véhicule de plaisance pour l'hiver ou lorsqu'il existe un risque de gel.
- S'assurer que l'évacuation et la grille d'air de combustion ne comportent aucune obstruction.
- Comparer régulièrement la flamme du brûleur principal et les flammes des veilleuses à la FIG 9 et les réglages du brûleur principal avec la section **COMMENT UTILISER VOTRE CHAUFFE-EAU**.
- Lorsque vous n'utilisez pas le chauffe-eau, régler le levier (White Rogers) ou le cadran (Robertshaw) du thermostat à la position la plus basse possible. Cela réduira les effets de la température extérieure sur le calibrage du mécanisme de commande de la température.

### ENTRETIEN DE L'ALLUMAGE ÉLECTRONIQUE

- A l'usine, votre chauffe-eau a été équipé d'une carte imprimée à fusible. Ce fusible protège la carte imprimée des courts-circuits pouvant survenir dans les câblages. Si le fusible venait à s'activer, le chauffe-eau ne pourrait pas fonctionner. Avant de remplacer le fusible, vérifier que le court-circuit n'est pas externe à la carte imprimée. Une fois le court-circuit réparé, remplacer le fusible de 2 ampères par un fusible mini de type ATO. Ne pas installer de fusible de plus de 3 ampères.
- Si le fusible est bon mais que l'unité ne fonctionne pas, vérifier que la tension du courant alimentant l'unité n'est pas trop élevée (plus de 14 volts).
- Si les deux étapes précédentes ne résolvent pas le problème, vérifier le système de coupure thermique. Le système de coupure thermique est installé dans le tuyau d'alimentation. Ce dispositif, une fois déclenché, coupe l'arrivée du courant électrique et le fonctionnement du chauffe-eau. Par exemple, en cas d'obstruction dans le tube d'évacuation, comme le décrit la section d'Entretien préventif, la flamme et la chaleur du brûleur risquent d'entrer en contact avec le système de coupure ce qui fera fondre l'élément du fusible incorporé dans le système de coupure thermique. Pour rétablir l'électricité et le bon fonctionnement du chauffe-eau, l'obstruction doit être éliminée et le système de coupure thermique doit être remplacé.

### ENTRETIEN PRÉVENTIF

Araignées, guêpes et autres insectes font parfois leur nid dans le tube du brûleur. Cela risque de causer une mauvaise combustion, un retard dans l'allumage ou un allumage à l'extérieur du tube de combustion. Prêter attention à tout changement du son produit par le brûleur et de l'apparence de la flamme (molle, calme et jaune vif plutôt que drue et bleue). Cela indique que le tube du brûleur est obstrué (FIG 9-C). Inspecter et nettoyer régulièrement.

- a. Retirer la vis de l'obturateur d'air (FIG 9-A) et glisser l'obturateur d'air (FIG 9-B) le long du tube du brûleur.
- b. Introduire une brosse métallique flexible à l'intérieur du tube du brûleur (FIG 9-C), jusqu'à ce qu'elle ressorte par l'autre extrémité du tube.

- c. Nettoyer le brûleur à l'aide d'un aspirateur, à l'endroit où il s'insère dans le tube de combustion.
- d. Remettre l'obturateur d'air dans sa position d'origine et replacer la vis.
- e. L'orifice du tube du brûleur, et l'obturateur doivent être alignés de sorte que l'obturateur n'est pas contraignant sur le tube d'air.

### COMMENT NETTOYER LES MODÈLES À VEILLEUSE

1. Vérifier que l'orifice du brûleur principal et l'assemblage de la veilleuse ne comportent aucune contamination (saleté, toiles d'araignées, etc.).
2. Nettoyer le tube du brûleur principal avec une petite brosse.
3. Réglage du brûleur principal – ouvrir l'obturateur d'air à un quart.
4. Flamme de la veilleuse basse. Vérifier qu'il n'y ait pas de contamination – si elle est propre, remplacer l'orifice de la veilleuse.

### COMMENT NETTOYER LES MODÈLES À ALLUMAGE ÉLECTRONIQUE

1. Vérifier l'orifice du brûleur principal.
2. Nettoyer et régler le brûleur principal.
3. Le brûleur principal et les voies du clapet doivent être alignés.
4. Vérifier que la porcelaine de l'électrode ne comporte pas de fissures.
5. Vérifier que l'écart entre l'électrode et le sol est bien de 3,1 mm.
6. Lorsque la carte des modules fonctionne en alternance, enlever la carte et nettoyer la plaque à bornes avec une gomme pour crayon.

### ENTRETIEN DU RÉSERVOIR DU CHAUFFE-EAU

### **AVERTISSEMENT** **BRÛLURES**

- Éteindre le chauffe-eau et attendre que l'eau refroidisse avant d'enlever le bouchon de vidange et de rincer le réservoir.

### INSTRUCTIONS POUR L'HIVERNAGE (RINÇAGE)

Pour assurer le meilleur rendement de votre chauffe-eau et prolonger la vie du réservoir, évacuer et rincer régulièrement le réservoir du chauffe-eau. Avant le rangement à long terme ou avant l'arrivée du gel, évacuer et rincer le réservoir.

1. Couper l'alimentation principale en eau (la pompe ou la source d'apport en eau).
2. Évacuer l'eau du réservoir du chauffe-eau en retirant le bouchon de vidange. Si l'eau coule de façon irrégulière ou goutte au lieu de couler à jet normal, nous vous conseillons tout d'abord d'ouvrir la soupape de décharge de type pression-température, pour permettre à l'air d'entrer dans le réservoir. Ensuite, à l'aide d'un fil de fer de petit diamètre ou d'un porte-manteau, piquer à l'intérieur de l'orifice d'évacuation, de façon à éliminer toute obstruction.
3. Une fois le réservoir vide, étant donné l'emplacement du bouchon de vidange, il restera environ 2 litres d'eau dans le réservoir. Cette eau contient la plus grande partie des particules corrosives dangereuses. Pour retirer ces particules corrosives dangereuses, rincer le réservoir soit avec de l'air, soit avec de l'eau. Que vous utilisiez de l'air ou de l'eau sous pression, l'application peut se faire soit par l'entrée, soit par la sortie située à l'arrière du réservoir ou de la soupape de décharge de type pression-température. (En cas d'utilisation de la soupape de décharge de type pression-température, il faudra d'abord retirer le rebord de sécurité). La pression force l'eau et les particules corrosives restantes à s'évacuer.  
En cas d'utilisation d'eau sous pression, pomper de l'eau fraîche dans le réservoir à l'aide d'une pompe transportée ou utiliser de l'eau externe pendant 90 secondes, de façon à permettre à l'eau fraîche de remuer l'eau stagnante se trouvant au fond du réservoir et de propulser les dépôts par l'orifice d'évacuation. Continuer à rajouter de l'eau et à évacuer, jusqu'à ce que l'eau restant dans le réservoir ne comporte plus aucune particule.
4. Replacer le bouchon de vidange et fermer la soupape de décharge de type pression-température. La quantité d'eau (environ 2 litres) restant au fond du réservoir suite à la vidange ne causera pas de dommage au réservoir en cas de gel.

## SOUPAPE DE DÉCHARGE DE TYPE PRESSION-TEMPÉRATURE



### **AVERTISSEMENT EXPLOSION**

- Ne pas placer de robinet, de bouchon ou de raccord de réduction sur la sortie de la soupape de décharge de type pression-température.

Lorsqu'une soupape de décharge de type pression-température goutte pendant le fonctionnement du chauffe-eau, cela NE SIGNIFIE PAS qu'elle est défectueuse. La soupape de décharge goutte parfois, du fait d'une expansion naturelle de l'eau lorsque celle-ci est chauffée à l'intérieur du réseau d'alimentation en eau d'un véhicule de plaisance. Le réservoir du chauffe-eau Dometic comporte un intervalle d'air interne en haut du réservoir, permettant de réduire les risques d'égouttement. Au fil du temps, l'expansion de l'eau absorbe cet air et l'intervalle doit être rétabli.



### **AVERTISSEMENT BRÛLURES**

- Couper le chauffe-eau avant d'ouvrir la soupape de décharge de type pression-température et rétablir l'intervalle d'air. L'eau contenue dans le réservoir doit être froide.

POUR RÉTABLIR L'INTERVALLE D'AIR, SUIVRE LES ÉTAPES SUIVANTES :

1. Couper l'alimentation principale en eau (la pompe ou la source d'apport en eau).
2. Laisser l'eau refroidir ou la laisser couler jusqu'à ce qu'elle soit froide.
3. Ouvrir le robinet d'eau chaude le plus proche du chauffe-eau.
4. Tirer la poignée de la soupape de décharge de type pression-température vers soi et laisser l'eau couler, jusqu'à ce qu'elle s'arrête.
5. Laisser la soupape de décharge de type pression-température revenir brusquement en position fermée ; fermer le robinet ; ouvrir l'alimentation en eau.
6. Allumer le chauffe-eau et le tester.

- Faire fonctionner manuellement la soupape de décharge de type pression-température au moins une fois par an (FIG 10).

Lorsque la soupape de décharge de type pression-température s'écoule à nouveau, répéter la procédure ci-dessus. Pour une solution permanente, nous vous conseillons l'une des choses suivantes :

- Installer une soupape de décharge de type pression-température dans la conduite d'arrivée d'eau froide du chauffe-eau et fixer une conduite d'évacuation sur la vanne extérieure du véhicule. Régler la limite sur 680 à 850 kPa.
- Installer un réservoir d'expansion de type membrane dans la conduite d'arrivée d'eau froide. Le réservoir devrait permettre une dilatation d'environ 426 ml d'eau et une mise sous pression égale à la pression de l'alimentation en eau. Ces dispositifs sont disponibles chez un plombier ou dans un centre de service.

## RINCER POUR ÉLIMINER LES MAUVAISES ODEURS

Une odeur d'œuf pourri (sulfure d'hydrogène) pourra se dégager du fait de l'action électrolytique du matériau de gainage qui dégage de l'hydrogène de l'eau. En cas de présence de soufre dans l'alimentation en eau, l'eau et le soufre se mélangent pour donner une odeur désagréable.

1. Couper l'alimentation principale en eau. Évacuer l'eau du réservoir du chauffe-eau et réinstaller le bouchon de vidange. Retirer la soupape de décharge de type pression-température. Préparer une solution de 4 parts de vinaigre blanc pour 2 parts d'eau. Au moyen d'un entonnoir, verser la solution à l'intérieur du réservoir, avec précaution.
2. Effectuer 4 à 5 cycles du chauffe-eau avec la solution indiquée ci-dessus en le laissant fonctionner normalement.
3. Retirer le bouchon de vidange et évacuer toute l'eau du réservoir. Rincer le chauffe-eau pour en éliminer tout sédiment. Il est possible de rincer le réservoir avec de l'air sous pression ou avec de l'eau fraîche. Appliquer la pression soit sur les clapets d'arrivée ou de sortie à l'arrière du réservoir, soit au raccord de la soupape de décharge de type pression-température se trouvant à l'avant de l'unité.

#### **POUR RINCER LE RÉSERVOIR AVEC DE L'AIR SOUS PRESSION :**

L'air sous pression devra passer par le raccord de la soupape de décharge de type pression-température. Le robinet de vidange ouvert, l'air sous pression forcera l'eau restante à s'écouler de l'unité.

#### **POUR RINCER LE RÉSERVOIR AVEC DE L'EAU SOUS PRESSION :**

Il faudra pomper de l'eau fraîche dans le réservoir, soit avec la pompe transportée à bord, soit avec de l'eau sous pression externe. Continuer le processus de rinçage pendant environ 5 minutes ; ceci permet à l'eau fraîche de remuer l'eau stagnante du fond du réservoir et de pousser les dépôts par l'orifice d'évacuation.

4. Replacer le bouchon de vidange et la soupape de décharge de type pression-température.
5. Remplir le réservoir avec de l'eau fraîche ne contenant pas de soufre.

Le chauffe-eau Dometic est conçu pour être utilisé dans les véhicules de plaisance. Si vous utilisez votre véhicule fréquemment ou pour des périodes prolongées, rincer le chauffe-eau plusieurs fois par an permettra de prolonger la vie du réservoir d'approvisionnement.

## **LIMITED TWO-YEAR WARRANTY**

LIMITED TWO-YEAR WARRANTY AVAILABLE AT  
[WWW.DOMETIC.COM/WARRANTY](http://WWW.DOMETIC.COM/WARRANTY).

IF YOU HAVE QUESTIONS OR TO OBTAIN A COPY OF THE  
LIMITED WARRANTY FREE OF CHARGE, CONTACT:

DOMETIC CORPORATION  
CUSTOMER SUPPORT CENTER  
1120 NORTH MAIN STREET  
ELKHART, INDIANA, USA 46514  
+1-800-544-4881 OPT 3

## **GARANTIE LIMITÉE DE DEUX ANS**

GARANTIE LIMITÉE DE DEUX ANS DISPONIBLE À  
[WWW.DOMETIC.COM/WARRANTY](http://WWW.DOMETIC.COM/WARRANTY).

POUR TOUTE QUESTION OU POUR OBTENIR UNE COPIE  
GRATUITE DE LA GARANTIE LIMITÉE, CONTACTER :

DOMETIC CORPORATION  
CUSTOMER SUPPORT CENTER  
1120 NORTH MAIN STREET  
ELKHART, INDIANA, USA 46514  
+1-800-544-4881 OPT 3