

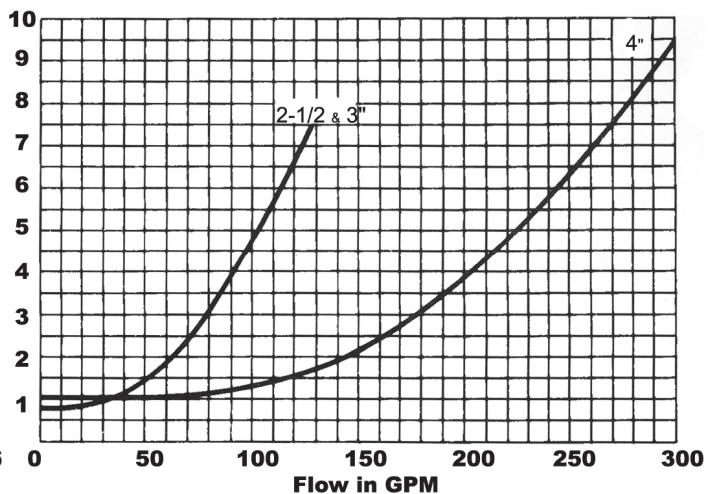
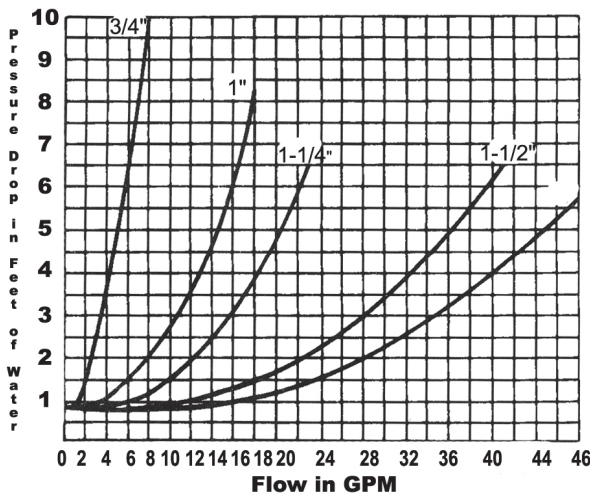
Bell & Gossett Flo-Control Valves

Flo-Control™ Valves

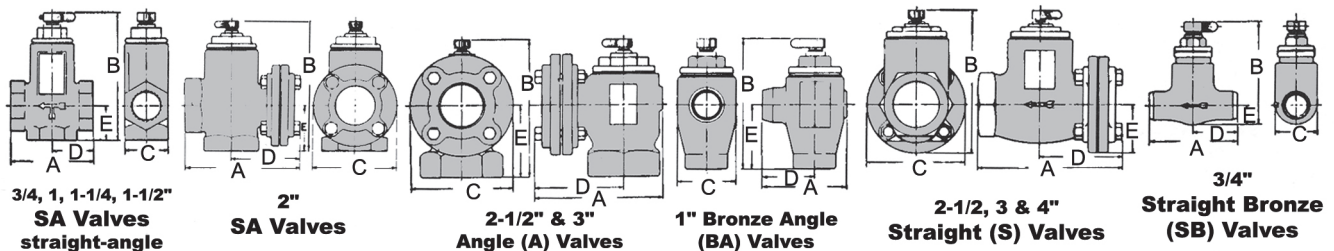
These B&G Flo-Control™ valves are used for preventing gravity flow in forced water systems and to permit summer-winter operation of indirect water heaters. Flo-Control valves in pipe sizes 3/4" to 2" are made in combination straight-angle patterns, thereby permitting installation in either horizontal or vertical pipe lines. The larger sizes are available in either straight or angle patterns. Available in iron body construction with screwed or flanged ends, or bronze construction for sweating the connections.



Performance Curves



Dimensions and Pipe Sizes



Flo-Control Valves Ordering Guide

Repair Parts on following page.

Model No.	Pipe Size	Dimensions in inches					Approx. Weight, lbs.	Order No.
		A	B	C	D	E		
SA 3/4	3/4"	3-1/8	4-15/16	1-5/8	1-9/16	1-7/16	2	BI1960
SA 1	1"	3-1/2	5-1/2	1-7/8	1-3/4	1-1/2	3	BI1962
SA 1-1/4	1-1/4"	4	6-1/2	2-1/4	1-31/32	1-7/8	4	BI1963
SA 1-1/2	1-1/2"	5	7-1/4	3	2-1/2	2-1/4	8	BI1964
SA 2	2"	6-7/8	7-1/2	4-5/8	4	2-5/8	12	BI1965
A 2-1/2	2-1/2"	7-1/4	7-5/8	5-3/8	4-1/2	4-1/8	20	BI1900
A 3	3"	7-1/2	7-3/4	6	4-1/2	4-1/4	23	BI1905
BA 1	1"	3-13/32	5	2-5/16	2-1/8	2-5/8	3	<i>Discontinued</i>
S 2-1/2	2-1/2"	9-5/16	8-11/16	5-3/8	4-3/4	2-11/16	22	BI1966
S 3	3"	9-15/16	9	6	5-1/4	3	24	BI1967
S 4	4"	13	12-1/2	7-3/4	7	3-7/8	58	BI1968
SB 3/4	3/4"	3-1/4	3-7/8	1-7/16	1-5/8	23/32	1.2	BI1961

Repair Parts for Flo-Control™ Valves

Flo-Control™ Valve Replacement Parts



STRAIGHT PATTERN



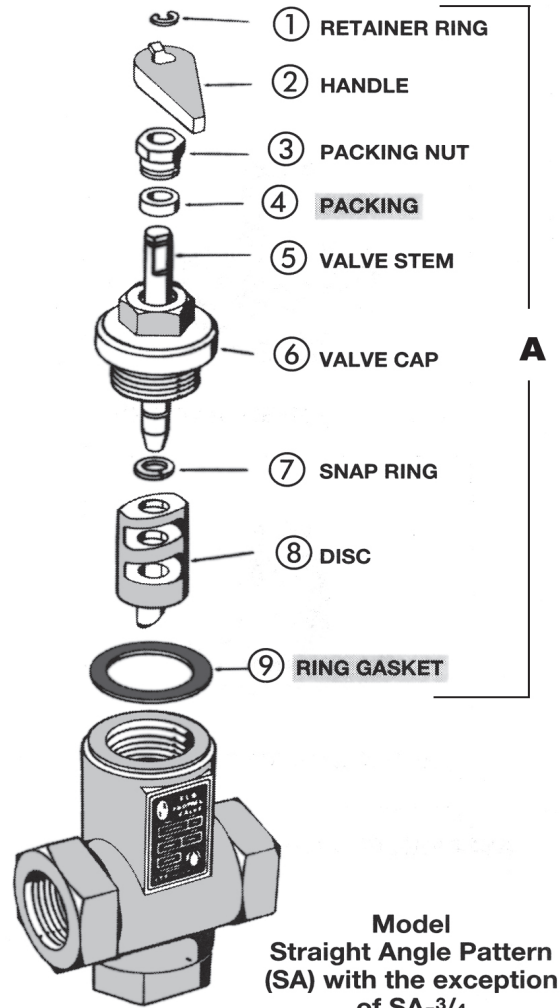
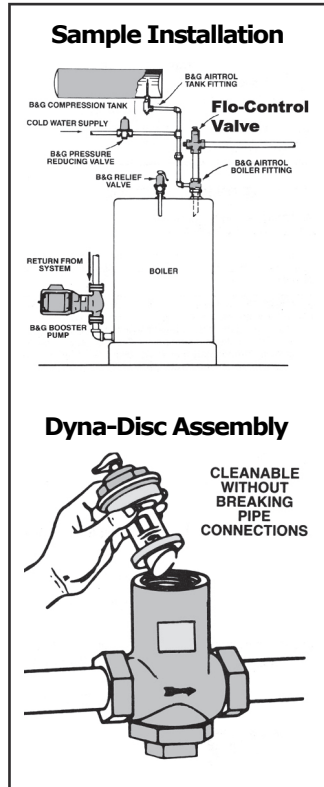
BRONZE STRAIGHT PATTERN



STRAIGHT ANGLE PATTERN



ANGLE PATTERN



Order the **Dyna-Disc Assembly** to repair these valves: All the parts you need (items 1-9) pre-assembled, & ready to install. The asterisked (*) parts are available from stock — *Italicized* part numbers are only available in the Dyna-Disc Assembly.

Item No.	Repair Parts Description	Repair Parts for Current Models										Obsolete
		SA-3/4	SA-1	SA-1¼	SA-1½	SB-¾	SA-2	A-2½ or S-2½	A-3 or S-3	S-4	SA-¾ or SB-¾	
A	Dyna-Disc Assembly	BG1135K	BG1135G	BG1135C	BG1135D	BG1135J	BG1135D	BG1135E	BG1135E	BG1135H	BG1135F	
6	Valve cap	<i>BG1800</i>	<i>BG1801</i>	<i>BG1895</i>	<i>BG1900</i>	<i>BG8880B</i>	<i>BG1900</i>	<i>BG1920</i>	<i>BG1920</i>	<i>BG1803</i>	<i>BG7600</i>	
1	Retainer ring	<i>BG2696</i>	<i>BG1802</i>	<i>BG1910</i>	<i>BG1910</i>	<i>BG2696</i>	<i>BG1910</i>	<i>BG1930</i>	<i>BG1930</i>	<i>BG1804</i>	<i>BG1802</i>	
8	Disc	<i>BG8880E</i>	<i>BG1810</i>	<i>BG1810A</i>	<i>BG1810B</i>	<i>BG8880E</i>	<i>BG1810B</i>	<i>BG1810C</i>	<i>BG1810C</i>	<i>BG1810D</i>	<i>BG1805</i>	
3	*Packing nut	BG1127	BG1127	BG1127	BG1127	BG1127	BG1127	BG1127	BG1127	BG1850	BG1127	
4	Packing	<i>BG1128</i>	<i>BG1128</i>	<i>BG1128</i>	<i>BG1128</i>	<i>BG1128</i>	<i>BG1128</i>	<i>BG1128</i>	<i>BG1128</i>	<i>BG1860</i>	<i>BG1128</i>	
2	Handle	<i>BG1830</i>	<i>BG1830</i>	<i>BG1830</i>	<i>BG1830</i>	<i>BG1830</i>	<i>BG1830</i>	<i>BG1830</i>	<i>BG1830</i>	<i>BG1870</i>	<i>BG1830</i>	
5	Valve stem	NONE	<i>BG2010</i>	<i>BG2011</i>	<i>BG2012</i>	<i>BG8880A</i>	<i>BG2012</i>	<i>BG2012</i>	<i>BG2013</i>	<i>BG2014</i>	<i>BG1990</i>	
7	Snap ring	<i>BG2020</i>	<i>BG2020</i>	<i>BG2020</i>	<i>BG2020</i>	<i>BG2020</i>	<i>BG2020</i>	<i>BG2020</i>	<i>BG2020</i>	NONE	<i>BG2020</i>	
9	*Ring gasket	BG2030	BG2040	BG2050	BG2060	BG8882	BG2060	BG1960	BG1960	BG1890	BG2030	
10	Spring	<i>BG8530</i>	NONE	NONE	NONE	NONE	NONE	NONE	NONE	NONE	NONE	
11	Flange gasket	NONE	NONE	NONE	NONE	NONE	<i>BG1950</i>	<i>BG2400</i>	NONE	<i>BG1865</i>	NONE	

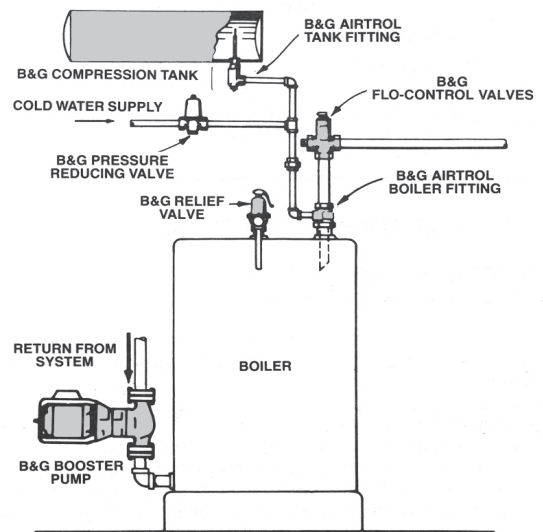
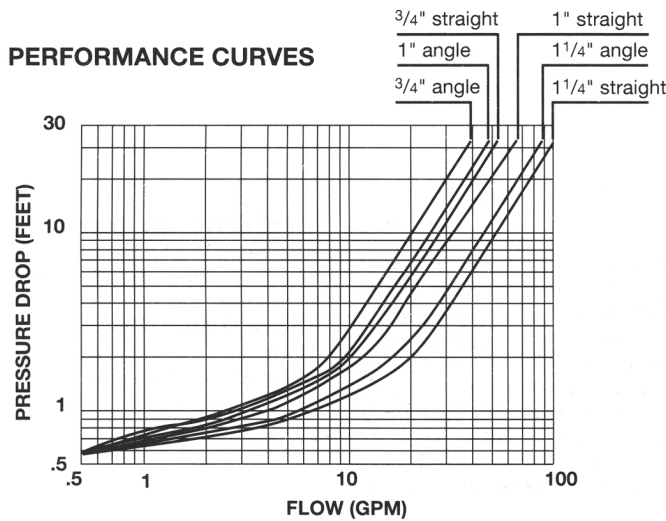
*Available individually. The balance of items shown only available within the Dyna-Disc Assemblies.

Bell & Gossett HydroTrol™ Flow Control Valves

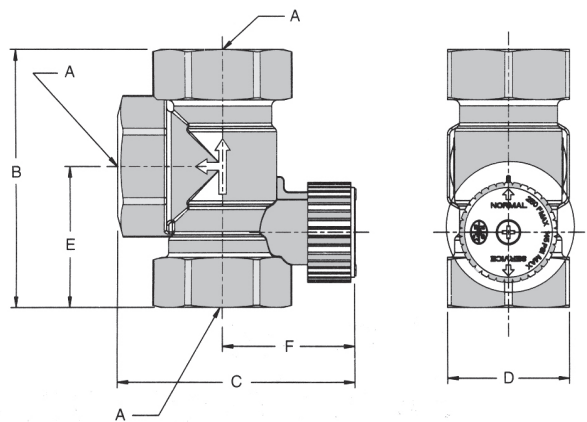
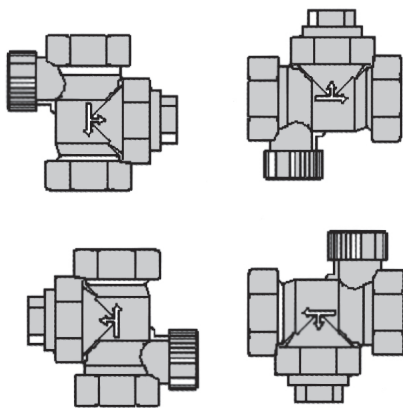
HydroTrol™ Flow Control Valves

The HydroTrol (HT) flow control valve is used to prevent overheating of zones due to gravity flow in hydronic heating systems and will permit summer-winter operation of an indirect water heater. The HT valve allows fluid to pass when the system or zone pumps start. When the system or zone pumps are not operating, the HT valve remains closed, thereby preventing gravity circulation. The HT valve has an elastomer seal providing a positive check. The valve features a one-half turn knob that manually opens the valve for system draining or valve by-pass. The valve can be installed in either the vertical or horizontal position. Repair parts not available.

- Maximum working pressure: 150 psi;
- Maximum operating temperature: 250° F.



Flexible Installation Application



HydroTrol Ordering Guide

Model No.	Pipe Size	Dimensions in inches						Ship Weight (lbs)	Order No.
		A	B	C	D	E	F		
HT-3/4	3/4"	3/4"	3-3/16	3	1-9/16	1-3/4	1-11/16	1.3	BI1940
HT-1	1"	1"	3-5/8	3-3/16	1-9/16	1-15/16	1-11/16	1.2	BI1941
HT-1 1/4	1-1/4"	1 1/4"	4	3-11/16	1-11/16	2-1/4	1-7/8	1.8	BI1942