

# Commercial Pressure Switches Types F and G

Class 9013



## CATALOG CONTENTS

| Description .....                                      | Page  |
|--------------------------------------------------------|-------|
| Product Descriptions .....                             | 3     |
| Technical Overview .....                               | 4     |
| Specifications .....                                   | 5     |
| Dimensions .....                                       | 6     |
| Type FHG, Selections and Modifications .....           | 7     |
| Type FSG, FYG, FRG, Selections and Modifications ..... | 8-9   |
| Type G, Selections and Modifications .....             | 10-11 |



## Commercial Pressure Switches Class 9013, Type F and Type G—Description

The Class 9013 Type F line of pressure switches are UL Listed and CSA Certified as commercial control equipment. The Class 9013 Type G line of pressure switches are UL Listed and CSA Certified as commercial/light industrial control equipment.

The Type FHG - PUMPTROL® Compressor Pressure Switch is used to control electrically driven air compressors and is diaphragm actuated and has contacts that open on rising pressure.



**Type FHG - PUMPTROL®  
Compressor Pressure Switch**

The Type FSG, FYG, FRG - PUMPTROL® Water Pump Pressure Switches are used to control electrically driven water pumps and have the following features:

- The Type FSG is the standard water pump switch, suitable for all types of pumps: jets, submersible, reciprocating, etc.
- The Type FYG is designed to meet higher horsepower and pressure requirements.
- The Type FRG is reverse acting: the contacts open on falling pressure.
- All are diaphragm actuated.



**Type FSG, FYG, FRG- PUMPTROL®  
Water Pump Pressure Switch**

The Type G - PUMPTROL® Commercial/Light Industrial Pressure Switch is used to control electrically driven water pumps and air compressors. It has higher electrical ratings for direct control of motors in pump and compressor applications. The Type G switch is diaphragm actuated and has contacts that open on rising pressure.



**Type G - PUMPTROL®  
Commercial/Light Industrial  
Pressure Switch  
shown with Form X-release valve**

# Commercial Pressure Switches

## Class 9013, Type F and Type G – Technical Overview

### Operating Points (Settings)

Every pressure switch has two operating points; one on rising pressure and one of falling pressure. The operating point on rising pressure is referred to as the TRIP POINT or cut out for pumps and compressors and the operating point on falling pressure is referred to as the RESET POINT or cut in for pumps and compressors. These operating points are called the SETTINGS of the switch.

- TRIP POINT (rising pressure)
- RESET POINT (falling pressure)

### Differential

The differential is the difference in pressure between the trip point (cut-out) and the reset point (cut-in). It can be adjustable or nonadjustable (fixed). Example:

|              |                    |
|--------------|--------------------|
| Cut-in       | 30 psi             |
| Cut-out      | 50 psi             |
| Differential | 20 psi (50-30 psi) |

### Range

The range is the pressure limits within which the operating points (settings) can be adjusted. The range of the Class 9013 pressure switch is referenced to the operating point on rising pressure (trip point). The differential subtracts from the trip point setting.

During the normal operating cycle, system pressure should never exceed the upper limit of the range when using a diaphragm actuated switch. This will greatly reduce the life of the diaphragm.

### Maximum Allowable Pressure

Maximum allowable pressure is the pressure to which a switch can be subjected without causing a change in operating characteristics, shift in settings, or damage to the device.

Pressure surges may occur in a system during the start up of a machine or from valve operation. Surges are not normally detrimental to the life of a switch if the surge is within the maximum allowable pressure rating of the switch. Diaphragm actuated switches should not be subjected to more than 10 surges per day. More frequent surges will greatly reduce the life of the diaphragm.

## Commercial Pressure Switches Class 9013, Type F and Type G – Specifications

### Electrical Ratings

| Switch Type                                             | Voltage               | Single Phase AC (Hp) | Polyphase AC ▲ (Hp) | DC (Hp)           | Control Circuit Rating |
|---------------------------------------------------------|-----------------------|----------------------|---------------------|-------------------|------------------------|
| FHG2, 3, 4, 9, 12<br>13, 14, 19, 42, 44, 49<br>FSG, FSW | 115<br>230<br>460/575 | 1 1/2<br>2<br>–      | 2<br>3<br>1         | 1/4■<br>1/4■<br>– | A600                   |
| FHG22, 24, 29, 32, 33<br>34, 39, 52, 54, 59<br>FYG, FYW | 115<br>230<br>460/575 | 2<br>3<br>–          | 3<br>5<br>1         | 1/2★<br>1/2★<br>– | A600                   |
| FRG One Pole<br>All Form H                              | 32<br>115<br>230      | –<br>1<br>1          | –<br>–<br>–         | –<br>1/4<br>1/4   | A300                   |
| FRG Two Pole                                            | 32<br>115<br>230      | –<br>1<br>1          | –<br>1<br>1         | –<br>1/4<br>1/4   | A300                   |
| All 9013G Form H                                        | 115<br>230<br>460/575 | 1<br>2<br>2          | –<br>–<br>–         | 1/2<br>1/2<br>–   | A600                   |
| All 9013G Except<br>Form H                              | 115<br>230<br>460/575 | 2<br>3<br>5          | 3<br>5<br>5         | 1<br>1<br>–       | A600                   |

- DC Rating does not apply to Form M4.
- ★ 600 volt DC rating does not apply.
- ▲ See 1993 NEC Article 430-84

### Temperature Ratings ♦

| Media                     | Ambient                  |
|---------------------------|--------------------------|
| Minimum -22 °F (-30 °C)   | Minimum -22 °F (-30 °C)  |
| Maximum +257 °F (+125 °C) | Maximum +158 °F (+70 °C) |

- ♦ FSG and FYG 32 °F (0 °C) minimum

### Maximum Allowable Pressure

| Type                    | Pressure (psig) |
|-------------------------|-----------------|
| FHG, FSG, FYG, FSW, FYW | 220             |
| FRG, GHB, GHG, GSB, GSG | 300             |
| GMG, GSR, GSW           | 100             |
| GHR, GHW                | 250             |

Type FHG - PUMPTROL® Compressor Pressure Switch



File E12158 CCN NKPZ



File LR 25490 Class 3211 06

Type FSG, FYG, FRG - PUMPTROL® Water Pump Pressure Switch



File E12158 CCN NKPZ



File LR 25490 Class 3211 06

Type G - PUMPTROL® Commercial/Light Industrial Pressure Switch



File E12158 CCN NKPZ  
Except GHR and GSR



File LR 25490 Class 3211 06  
Except GHR and GSR



File E12443 CCN NOWT  
For GHR and GSR



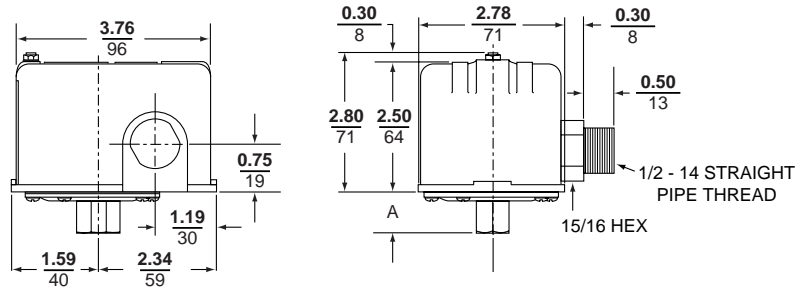
File LR 26817 Class 3218 05  
For GHR and GSR



# Commercial Pressure Switches

## Class 9013, Type F and Type G – Dimensions

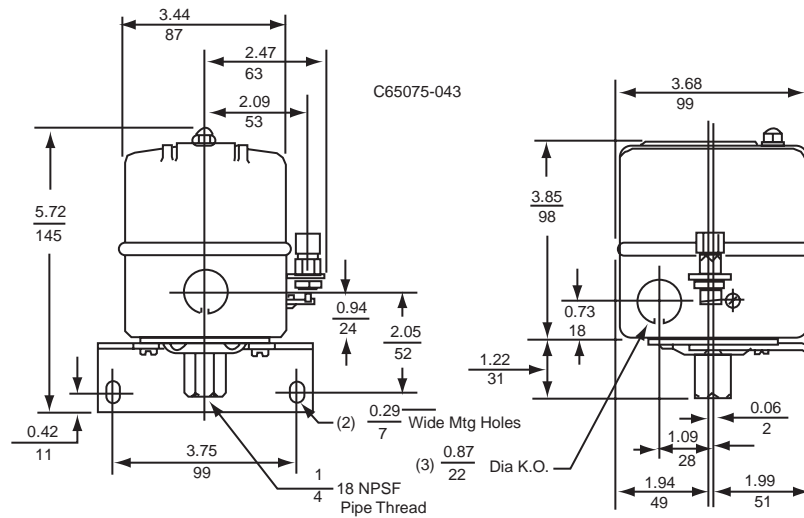
### Type F – PUMPTROL® Compressor and Water Pump Pressure Switch Dimensions



Dual Dimensions  $\frac{\text{inches}}{\text{mm}}$

| Switch Type                                | A Dimension |    |
|--------------------------------------------|-------------|----|
|                                            | Inches      | mm |
| FSG1, FYG1                                 | 1 1/32      | 26 |
| FHG2, 12, 22, 32, 42, 52, FRG2, FSG2, FYG2 | 29/32       | 23 |
| FHG3, 13, 33, FRG3, FSG3, FYG3             | 1 9/32      | 33 |
| FHG9, 19, 29, 39, 49, 59, FSG9, FYG9       | 1 3/32      | 28 |

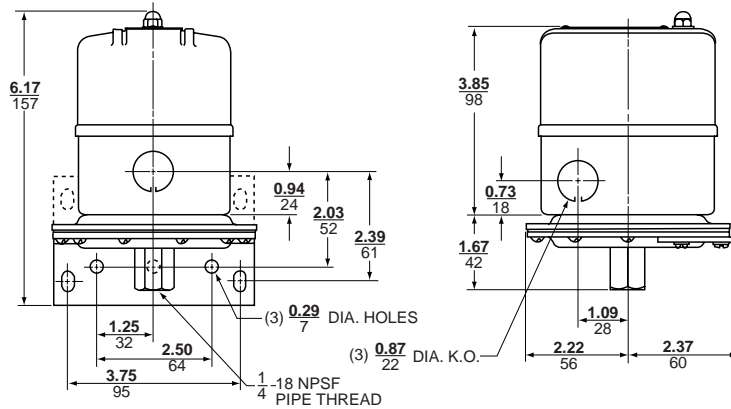
### Type G – PUMPTROL® Commercial/Light Industrial Pressure Switch Dimensions



NOTE: Mounting Bracket shown is available as a Class 9049 Type A-52 Kit

**Types GHG, GSG**  
with or without Form X  
Net Weight – 2 1/4 Pounds

Dual Dimensions  $\frac{\text{inches}}{\text{mm}}$



NOTE: MOUNTING BRACKET SHOWN IS AVAILABLE AS A CLASS 9049 TYPE A-53 KIT.

**Type GMG**



## Commercial Pressure Switches Class 9013, Type FHG – Selection and Modifications

### Type FHG PUMPTROL® Compressor Pressure Switches



| Adjustable Cut-Out Range Increasing Pressure (PSIG) | Approximate Differential Non-Adjustable (PSIG) | Poles | Pressure Connection  | Lower HP              | Higher HP             |
|-----------------------------------------------------|------------------------------------------------|-------|----------------------|-----------------------|-----------------------|
|                                                     |                                                |       |                      | NEMA Type 1 Enclosure | NEMA Type 1 Enclosure |
|                                                     |                                                |       |                      | Type                  | Type                  |
| 40-100                                              | 20                                             | 2     | 1/4" NPSF (Internal) | FHG2                  | FHG22                 |
|                                                     |                                                |       | 3/8" NPSF (Internal) | FHG3                  | -                     |
|                                                     |                                                |       | 1/4" Four Way        | FHG4                  | FHG24                 |
|                                                     |                                                |       | 1/4" NPT (External)  | FHG9                  | FHG29                 |
| 70-150                                              | 30                                             | 2     | 1/4" NPSF (Internal) | FHG12                 | FHG32                 |
|                                                     |                                                |       | 3/8" NPSF (Internal) | FHG13                 | FHG33                 |
|                                                     |                                                |       | 1/4" Four Way        | FHG14                 | FHG34                 |
|                                                     |                                                |       | 1/4" NPT (External)  | FHG19                 | FHG39                 |
| 100-200                                             | 40                                             | 2     | 1/4" NPSF (Internal) | FHG42                 | FHG52                 |
|                                                     |                                                |       | 1/4" Four Way        | FHG44                 | FHG54                 |
|                                                     |                                                |       | 1/4" NPT (External)  | FHG49                 | FHG59                 |

#### Pressure Code (fixed differential)

Below is the pressure code table for fixed differential action devices. Existence of a code does not imply that the code is available for any or all devices.

| Settings               | Code |
|------------------------|------|
| Off at 100 PSI         | J27  |
| Off at 110 PSI         | J37  |
| Off at 115 PSI         | J38  |
| Off at 120 PSI         | J69  |
| Off at 125 PSI         | J52  |
| Off at 135 PSI         | J39  |
| Off at 140 PSI         | J68  |
| Off at 150 PSI         | J55  |
| Off at 155 PSI         | J40  |
| Off at 175 PSI         | J59  |
| Specify other pressure | J99  |

#### Special Features And Modifications For Type FHG

| Description                                                                 | Form Letter |
|-----------------------------------------------------------------------------|-------------|
| Standard Pack of 20 Switches                                                | C20         |
| Addition of a Second Ground Screw                                           | G4★         |
| Maintained Manual Cut-Out Lever (AUTO-OFF)                                  | M1          |
| Pulsation Plug                                                              | P           |
| 1/2" Conduit Bushing – 1/2" Long Thread - On Left                           | T           |
| 1/2" Conduit Bushing – 1/2" Long Thread - on Right                          | T1          |
| Slip-On Connectors (Load Side Terminals Only)                               | U           |
| Slip-On Connectors (Line and Load Terminals)                                | U2          |
| Factory Sealed Range Stud                                                   | W           |
| Two-Way Pressure Release Valve                                              | X           |
| Quick Connect Two-Way Pressure Release Valve (for use with Polyflow Tubing) | X1          |
| Black Cover                                                                 | Z22         |

★ Can be field installed. Nameplate should then be marked with the Form letter and maintenance and ordering records corrected.

#### Ordering Information

- Specify Class 9013 Type FHG.
- Select pressure code from Pressure Code Table and add code designation to end of type number. Be sure that pressure code falls within the limits of the device as shown in the device listings.
- If special features are desired, add the appropriate Form letter to the Class and Type. Arrange Form letters in alphabetical sequence when ordering more than one special feature.
- Place packaging code at end of sequence with other forms when ordering.

For standard pack of 20 devices per box . . . . . C20

For individual packaged devices . . . . . leave blank

**Example:** 9013FHG19J52MIXC20

*NOTE: If no packaging code is indicated, devices will be shipped individually packaged.*



# Commercial Pressure Switches

## Class 9013, Types FSG, FYG, FRG – Selection and Modifications

### Types FSG, FYG PUMPTROL® Water Pump Pressure Switches

Standard Action: Contacts Open On Rising Pressure



| Cut-Out Range (PSIG) | Approximate Adjustable Differential (PSIG) | Cut-in Range (PSIG) | Pressure Connection    | 2 Pole      |               |
|----------------------|--------------------------------------------|---------------------|------------------------|-------------|---------------|
|                      |                                            |                     |                        | NEMA Type 1 | NEMA Type 3R■ |
| 20-65                | 15-30                                      | 5-45                | 1/8" NPSF Internal     | FSG1        | FSW1          |
|                      |                                            |                     | 1/4" NPSF Internal     | FSG2        | FSW2          |
|                      |                                            |                     | 1/4" NPT External      | FSG9        | FSW9          |
|                      |                                            |                     | 1/4" Bayonet (barbed)  | FSG10       | FSW10         |
|                      |                                            |                     | 90° Elbow 1/4" Bayonet | FSG20       | FSW20         |
| 20-50                | 10-30                                      | 10-30               | 1/4" NPSF Internal     | FSG22       | FSW22         |
| 20-60                | 10-30                                      | 10-45               | 1/4" NPT External      | FSG29       | FSW29         |
| 9-30                 | 6-20                                       | 3-10                | 1/4" NPSF Internal     | FSG42       | FSW42         |
| 9-30                 | 6-20                                       | 3-10                | 1/4" NPT External      | FSG49       | FSW49         |
| 34-65                | 15-30                                      | 19-45               | (FSG1-20 WITH FORM M4) |             |               |
| 25-80                | 20-30                                      | 5-60                | 1/8" NPSF Internal     | FYG1        | FYW1          |
|                      |                                            |                     | 1/4" NPSF Internal     | FYG2        | FYW2          |
|                      |                                            |                     | 1/4" NPT External      | FYG9        | FYW9          |
|                      |                                            |                     | 1/4" Bayonet (barbed)  | FYG10       | FYW10         |
|                      |                                            |                     | 90° Elbow 1/4" Bayonet | FYG20       | FYW20         |
| 39-80                | 20-30                                      | 19-60               | (FYG1-20 WITH FORM M4) |             |               |
| 20-50                | 10-30                                      | 10-30               | 1/4" NPSF Internal     | FYG22       | FYW22         |
| 20-60                | 10-30                                      | 10-45               | 1/4" NPT External      | FYG29       | FYW29         |
| 9-40                 | 6-20                                       | 3-10                | 1/4" NPSF Internal     | FYG42       | FYW42         |
| 9-40                 | 6-20                                       | 3-10                | 1/4" NPT External      | FYG49       | FYW49         |

■ Must be mounted in vertical position to maintain enclosure rating.

### Pressure Codes

Below is the pressure code table for standard action devices. Existence of a code does not imply that the code is available for any or all devices.

| Settings               | Code |
|------------------------|------|
| 5-21 PSI               | J15  |
| 8-20 PSI               | J16  |
| 20-40 PSI              | J20  |
| 20-50 PSI              | J18  |
| 30-50 PSI              | J21  |
| 40-60 PSI              | J24  |
| 50-70 PSI              | J33  |
| 55-85 PSI              | J34  |
| 60-80 PSI              | J25  |
| Specify other pressure | J99  |

### Ordering Information

- Specify Class 9013 Type FSG, FYG, or FYG.
- Select pressure code from Pressure Code Table and add code designation to end of type number. Be sure that pressure code falls within the limits of the device as shown in the device listings.
- If special features are desired, add the appropriate Form letter to the Class and Type. Arrange Form letters in alphabetical sequence when ordering more than one special feature.
- Place packaging code at end of sequence with other forms when ordering.

For standard pack of 20 devices per box . . . . . C20

For individual packaged devices . . . . . leave blank

**Example:** 9013FSG2J21MPU2C20

*NOTE: If no packaging code is indicated, devices will be shipped individually packaged.*



## Commercial Pressure Switches Class 9013, Types FSG, FYG, FRG – Selection and Modifications

### Type FRG PUMPTROL® Water Pump Pressure Switches

Reverse Action: Contacts Open On Falling Pressure



| Cut-in Range (PSIG) | Approximate Adjustable Differential (PSIG) | Cut-Out Range (PSIG) | Pressure Connection | 1 Pole | 2 Pole |
|---------------------|--------------------------------------------|----------------------|---------------------|--------|--------|
|                     |                                            |                      |                     | Type   | Type   |
| 23-65               | 15-30                                      | 8-45                 | 1/4" NPSF Internal  | FRG12  | FRG2   |
|                     |                                            |                      | 3/8" NPSF Internal  | FRG13  | FRG3   |
|                     |                                            |                      | 1/4" Flare          | FRG18  | FRG8   |
|                     |                                            |                      | 1/4" NPT External   | FRG19  | FRG9   |
| 10-45               | 6-20                                       | 4-25                 | 1/4" NPSF Internal  | FRG32  | FRG22  |
|                     |                                            |                      | 3/8" NPSF Internal  | FRG33  | FRG23  |
|                     |                                            |                      | 1/4" Flare          | FRG38  | FRG28  |
| 6-14                | 5 Non-Adjustable                           | 1-11                 | 1/4" NPT External   | FRG39  | FRG29  |
|                     |                                            |                      | 1/4" NPSF Internal  | FRG52  | FRG42  |
|                     |                                            |                      | 3/8" NPSF Internal  | FRG53  | FRG43  |
|                     |                                            |                      | 1/4" Flare          | FRG58  | FRG48  |
| 40-100              | 20-30                                      | 20-75                | 1/4" NPT External   | FRG59  | FRG49  |
|                     |                                            |                      | 1/4" NPSF Internal  | FRG72  | FRG62  |
|                     |                                            |                      | 3/8" NPSF Internal  | FRG73  | FRG63  |
| 65-150              | 30-45                                      | 35-120               | 1/4" Flare          | FRG78  | FRG68  |
|                     |                                            |                      | 1/4" NPSF Internal  | FRG92  | FRG82  |
|                     |                                            |                      | 3/8" NPSF Internal  | FRG93  | FRG83  |
|                     |                                            |                      | 1/4" Flare          | FRG98  | FRG88  |
|                     |                                            |                      | 1/4" NPT External   | FRG99  | FRG89  |

### Pressure Codes (Reverse action)

Below is the pressure code table for reverse action devices. Existence of a code does not imply that the code is available for any or all devices.

| Settings               | Code |
|------------------------|------|
| 8.5-5.5 PSI            | J17  |
| 10-5 PSI               | J36  |
| 22-12 PSI              | J22  |
| 22-16 PSI              | J19  |
| 35-20 PSI              | J70  |
| 40-20 PSI              | J23  |
| 50-30 PSI              | J35  |
| 80-60 PSI              | J32  |
| 100-80 PSI             | J51  |
| 150-120 PSI            | J64  |
| Specify other pressure | J99  |

### Special Features And Modifications For Type FSG, FYG & FRG Devices

| Description                                                                                                     | Applies to                               | Form Letter |
|-----------------------------------------------------------------------------------------------------------------|------------------------------------------|-------------|
| Standard Pack of 20 Devices per box                                                                             | All Type F                               | C20         |
| Pilot Light - Indicates Switch Contacts Closed                                                                  | FSG, FYG                                 | G5★         |
| One Normally Open-One Normally Closed Contact                                                                   | FRG 2 Pole Only                          | H           |
| Maintained Manual Cut-Out Lever (AUTO-OFF)                                                                      | FSG, FYG                                 | M1          |
| Momentary Manual Cut-In Lever (AUTO-START)                                                                      | FRG2-59 Only                             | M3          |
| Low Pressure Cut-Off (AUTO-START-OFF) Operates at Approximately 10 PSIG Below Cut-in and will turn off the pump | FSG, FYG<br>(Types 1-20 only)            | M4          |
| Maintained Manual Cut-in Lever (AUTO-ON)                                                                        | FRG2-59 Only                             | M5          |
| Pulsation Plug (Standard on FSG-4 and FYG-4)                                                                    | FRG, FSG, FYG                            | P♦          |
| Salt Water Flange (1/4" NPSF Internal Only)                                                                     | All Type F                               | Q           |
| Plastic Flange (max. temp. 120° F) (max. pressure 80 psi)                                                       | FRG, FSG, FYG<br>1/4" NPSF Internal Only | Q8          |
| 1/2" Conduit Bushing - 1/2" Long Thread - on Left                                                               | All Type F                               | T           |
| 1/2" Conduit Bushing - 1/2" Long Thread - on Right                                                              | All Type F                               | T1          |
| Slip-On Connectors (Load Side Terminals Only)                                                                   | FSG, FYG                                 | U           |
| Slip-On Connectors (Line and Load Terminals)                                                                    | FSG, FYG                                 | U2          |
| Black Cover                                                                                                     | FSG, FYG                                 | Z22         |

- ★ Can be field installed. Nameplate should then be marked with the Form letter and maintenance and ordering records corrected.
- ♦ Nylon pulsation plug can be field installed on types having 1/4" NPSF Internal connector. Part number 1530-S6-G1 is one bag of 50 plugs



# Commercial Pressure Switches

## Class 9013, Type G – Selection and Modifications

### Type G PUMPTROL® Commercial/Light Industrial Pressure Switch.



| Cut-Out Range (PSIG) | Approximate Adjustable Differential (PSIG) | Cut-In Range (PSIG) | Enclosure                           | Poles | NPSF Internal Pressure Connection | Type |
|----------------------|--------------------------------------------|---------------------|-------------------------------------|-------|-----------------------------------|------|
| 10-35                | 4-8                                        | 5 1/2 - 30 1/2      | NEMA Type 1 General Purpose         | 2     | 1/4                               | GMG2 |
| 20-80                | 15-30                                      | 5-60                | NEMA Type 3R ■ Rainproof            | 2     | 1/4                               | GSB2 |
| 20-80                | 15-30                                      | 5-60                | NEMA Type 1 General Purpose         | 2     | 1/8                               | GSG1 |
|                      |                                            |                     |                                     |       | 1/4                               | GSG2 |
|                      |                                            |                     |                                     |       | 3/8                               | GSG3 |
| 20-80                | 20-40                                      | 5-50                | NEMA Type 7 & 9 Hazardous Locations | 2     | 1/8                               | GSR1 |
|                      |                                            |                     |                                     |       | 1/4                               | GSR2 |
|                      |                                            |                     |                                     |       | 3/8                               | GSR3 |
|                      |                                            |                     | NEMA Type 4 Watertight              |       | 1/8                               | GSW1 |
|                      |                                            |                     |                                     |       | 1/4                               | GSW2 |
|                      |                                            |                     |                                     |       | 3/8                               | GSW3 |
| 65-200               | 20-40                                      | 40-170              | NEMA Type 3R ■ Rainproof            | 2     | 1/4                               | GHB2 |
| 65-200               | 20-40                                      | 40-170              | NEMA Type 1 General Purpose         | 2     | 1/8                               | GHG1 |
|                      |                                            |                     |                                     |       | 1/4                               | GHG2 |
|                      |                                            |                     |                                     |       | 3/8                               | GHG3 |
| 65-200               | 30-50                                      | 35-150              | NEMA Type 7 & 9 Hazardous Locations | 2     | 1/8                               | GHR1 |
|                      |                                            |                     |                                     |       | 1/4                               | GHR2 |
|                      |                                            |                     |                                     |       | 3/8                               | GHR3 |
|                      |                                            |                     | NEMA Type 4 Watertight              |       | 1/8                               | GHW1 |
|                      |                                            |                     |                                     |       | 1/4                               | GHW2 |
|                      |                                            |                     |                                     |       | 3/8                               | GHW3 |
| 80-250               | 25-45                                      | 32-215              | NEMA Type 3R ■ Rainproof            | 2     | 1/4                               | GHB5 |
| 80-250               | 24-45                                      | 32-215              | NEMA Type 1 General Purpose         | 2     | 1/8                               | GHG4 |
|                      |                                            |                     |                                     |       | 1/4                               | GHG5 |
|                      |                                            |                     |                                     |       | 3/8                               | GHG6 |
| 80-250               | 40-60                                      | 30-190              | NEMA Type 7 & 9 Hazardous Locations | 2     | 1/8                               | GHR4 |
|                      |                                            |                     |                                     |       | 1/4                               | GHR5 |
|                      |                                            |                     |                                     |       | 3/8                               | GHR6 |
|                      |                                            |                     | NEMA Type 4 Watertight              |       | 1/8                               | GHW4 |
|                      |                                            |                     |                                     |       | 1/4                               | GHW5 |
|                      |                                            |                     |                                     |       | 3/8                               | GHW6 |

■ Must be mounted in vertical position to maintain enclosure rating.

#### Pressure Code Table

| Pressure Setting (Close-Open) | Code |
|-------------------------------|------|
| 20-40 PSI                     | J20  |
| 30-50 PSI                     | J21  |
| 40-20 PSI                     | J23  |
| 40-60 PSI                     | J24  |
| 60-80 PSI                     | J25  |
| 70-90 PSI                     | J26  |
| 70-100 PSI                    | J28  |
| 75-100 PSI                    | J29  |
| 80-100 PSI                    | J30  |
| 90-120 PSI                    | J31  |
| 100-80 PSI                    | J51  |
| 100-125 PSI                   | J53  |
| 110-125 PSI                   | J54  |
| 110-150 PSI                   | J56  |
| 120-150 PSI                   | J57  |
| 125-150 PSI                   | J58  |
| 125-175 PSI                   | J60  |
| 130-175 PSI                   | J61  |
| 140-175 PSI                   | J62  |
| 145-175 PSI                   | J63  |
| 150-120 PSI                   | J64  |
| 215-250 PSI                   | J65  |
| 140-170 PSI                   | J66  |
| 150-175 PSI                   | J67  |
| Specify Setting Required      | J99  |

## Commercial Pressure Switches Class 9013, Type G – Selection and Modifications

### Special Features And Modifications For Type G Devices

| Description                                                    | Applies to                                    | Form Letter |
|----------------------------------------------------------------|-----------------------------------------------|-------------|
| Standard Pack of 10 Devices per box                            | All Type G                                    | C10         |
| 3-Way Lever (On-Auto-Off) (Not compatible with Form X)         | GHG, GMG, GSG                                 | E           |
| One Normally Open-One Normally Closed Contact                  | All Type G                                    | H           |
| Pulsation Plug                                                 | All Type G                                    | P           |
| Reverse Action                                                 | All Type G                                    | R           |
| Slip-On Connectors (Load Side Terminals Only)                  | All Type G                                    | U           |
| Slip-On Connectors (Line and Load Terminals)                   | All Type G                                    | U2          |
| Two-way Pressure Release Valve<br>(Not compatible with Form E) | GHB, GMG, GSB, GHG, GSG<br>GHR, GHW, GSR, GSW | X<br>X      |
| 1/4" Male Pipe Thread on Pressure Connection                   | All Type G                                    | Z           |
| 1/2"-14 NPT External                                           | All Type G                                    | Z16         |
| 1/4"-18 NPT Internal                                           |                                               |             |
| 3/8" Male Pipe Thread on Pressure Connection                   | All Type G                                    | Z23         |




### Ordering Information

1. Specify Class 9013 Type G.
2. Select pressure code from Pressure Code Table and add code designation to end of type number. Be sure that pressure code falls within the limits of the device as shown in the device listings below.
3. If special features are desired, add the appropriate Form letter to the Class and Type. Arrange Form letters in alphabetical sequence when ordering more than one special feature.
4. Place packaging code at end of sequence with other forms when ordering.  
 For standard pack of 10 devices per box: ..... C10  
 (Available on GHB, GHG, GSB, and GSG)  
 For individual packaged devices: .....leave blank

*NOTE: If no packaging code is indicated, devices will be shipped individually packaged*



Square D Company  
8001 Highway 64 East  
Knightdale, NC 27545-9023, USA  
(919) 266-3671  
[www.squared.com](http://www.squared.com)

Square D and  are registered trademarks of Square D Company.  
PUMPTROL<sup>®</sup> is a registered trademark of Square D Company.  
 is a registered trademark of the Canadian Standard Association.  
 is a registered trademark of Underwriters Laboratory.

Catalog No. 9013CT9701R8/98 September 1998 © 1998 Square D All Rights Reserved.  
Replaces 9013CT9701 dated 6/98.