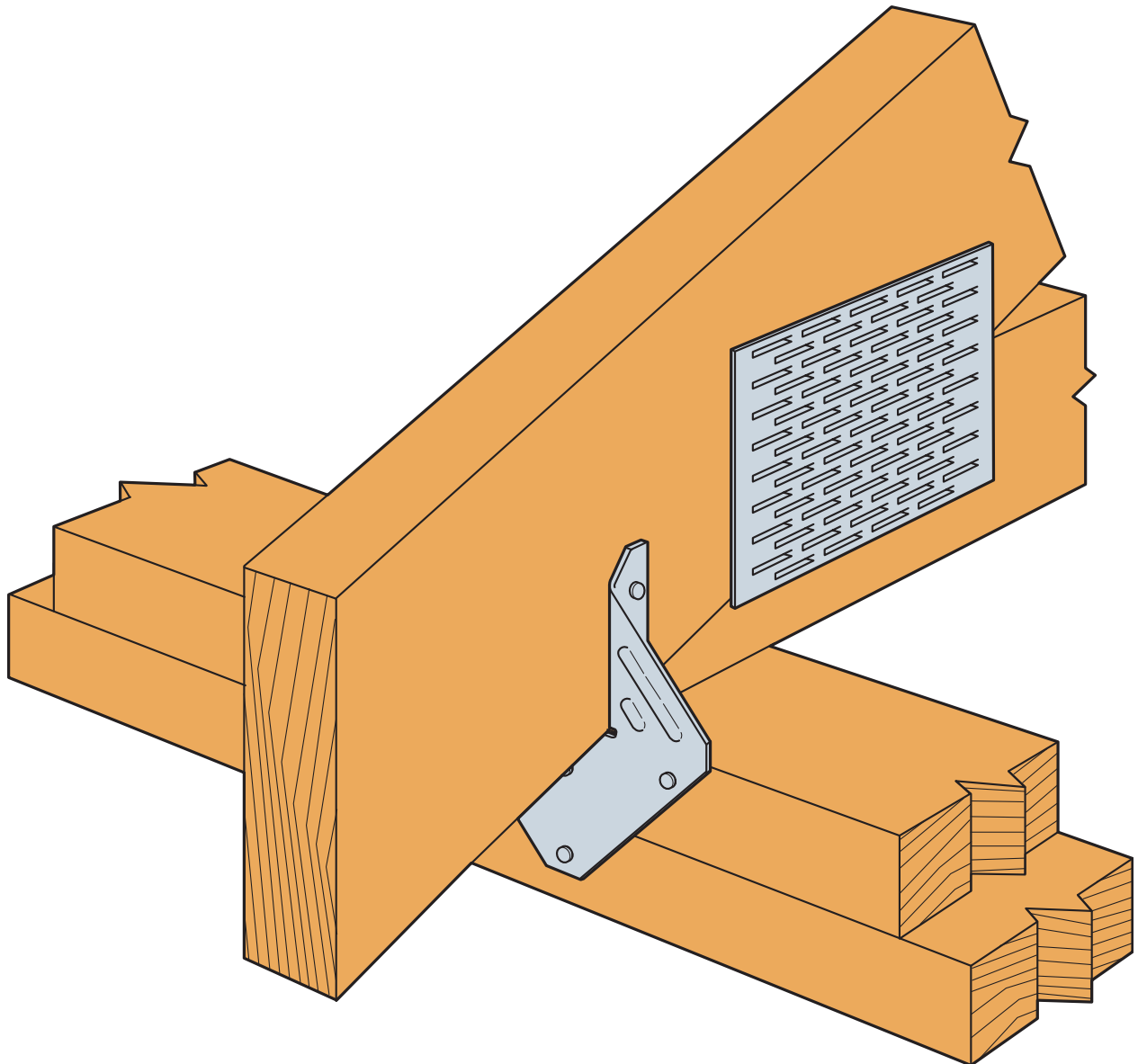


H1 Hurricane Tie

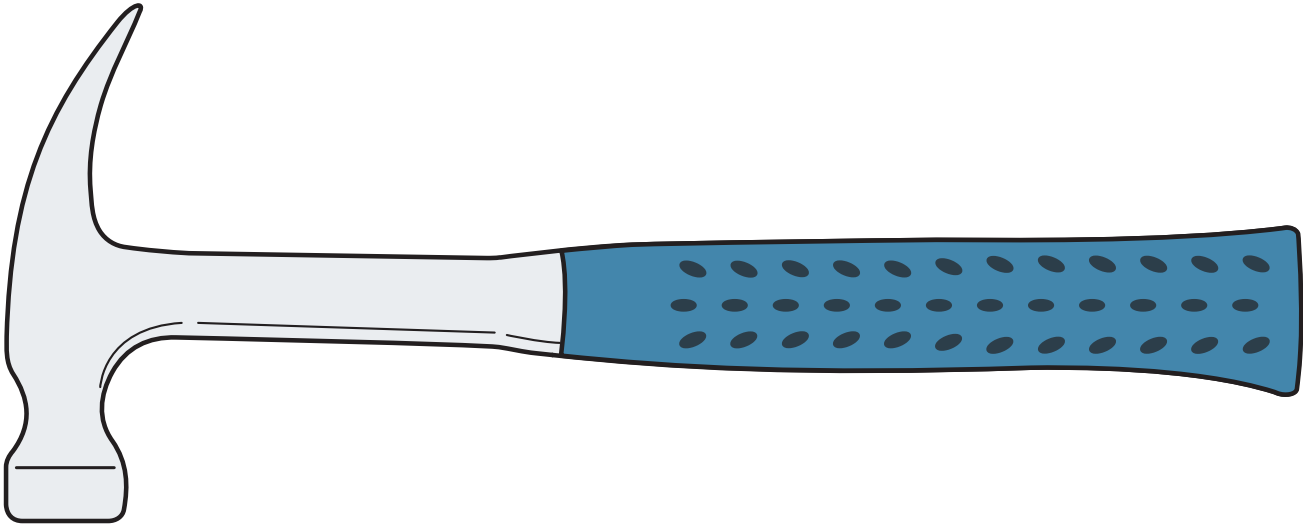
 strongtie.com/resources/product-installers-guide/h1-truss-condition



Truss Condition

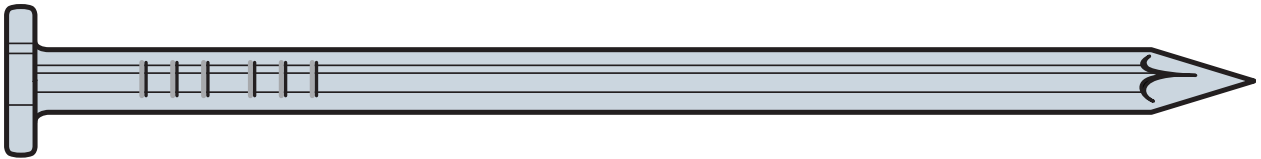
The H1 hurricane tie (truss condition) provides a positive connection between truss and the wall of the structure to resist wind and seismic forces.

Tools

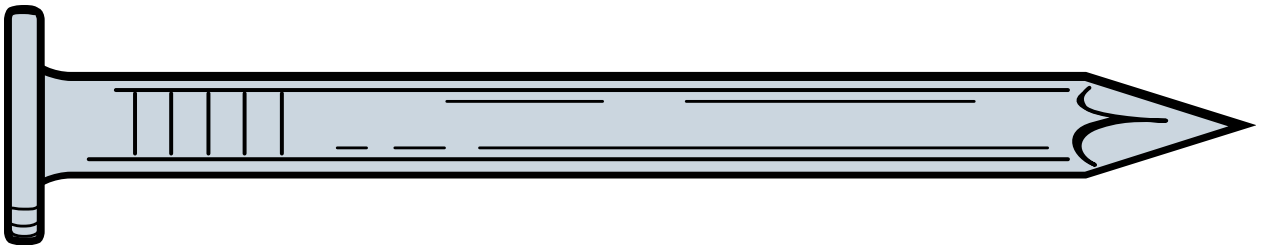


Hammer

Fasteners



8d (0.131" x 2 1/2") Nail



8d x 1 1/2" (0.131" x 1 1/2") Nail

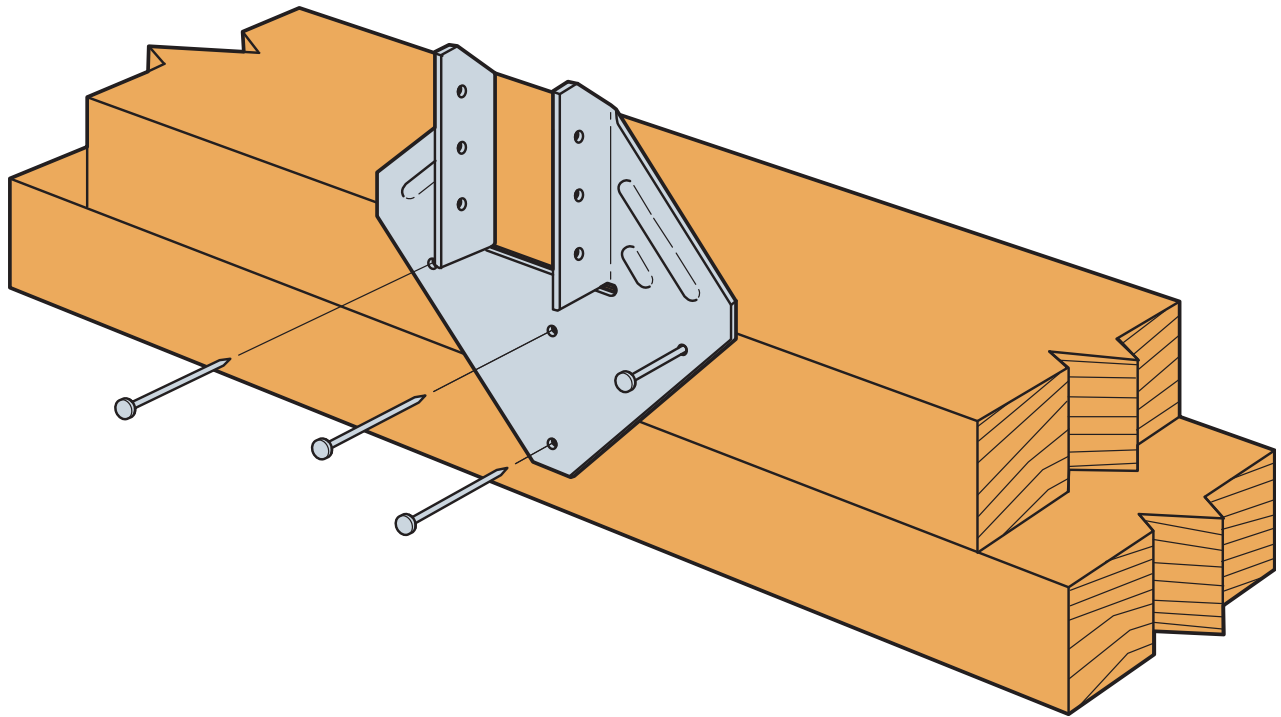
Installation

1

For plate fastening, use 2 1/2" nails.

Para la fijación de la placa, use clavos de 2 1/2 ".

2



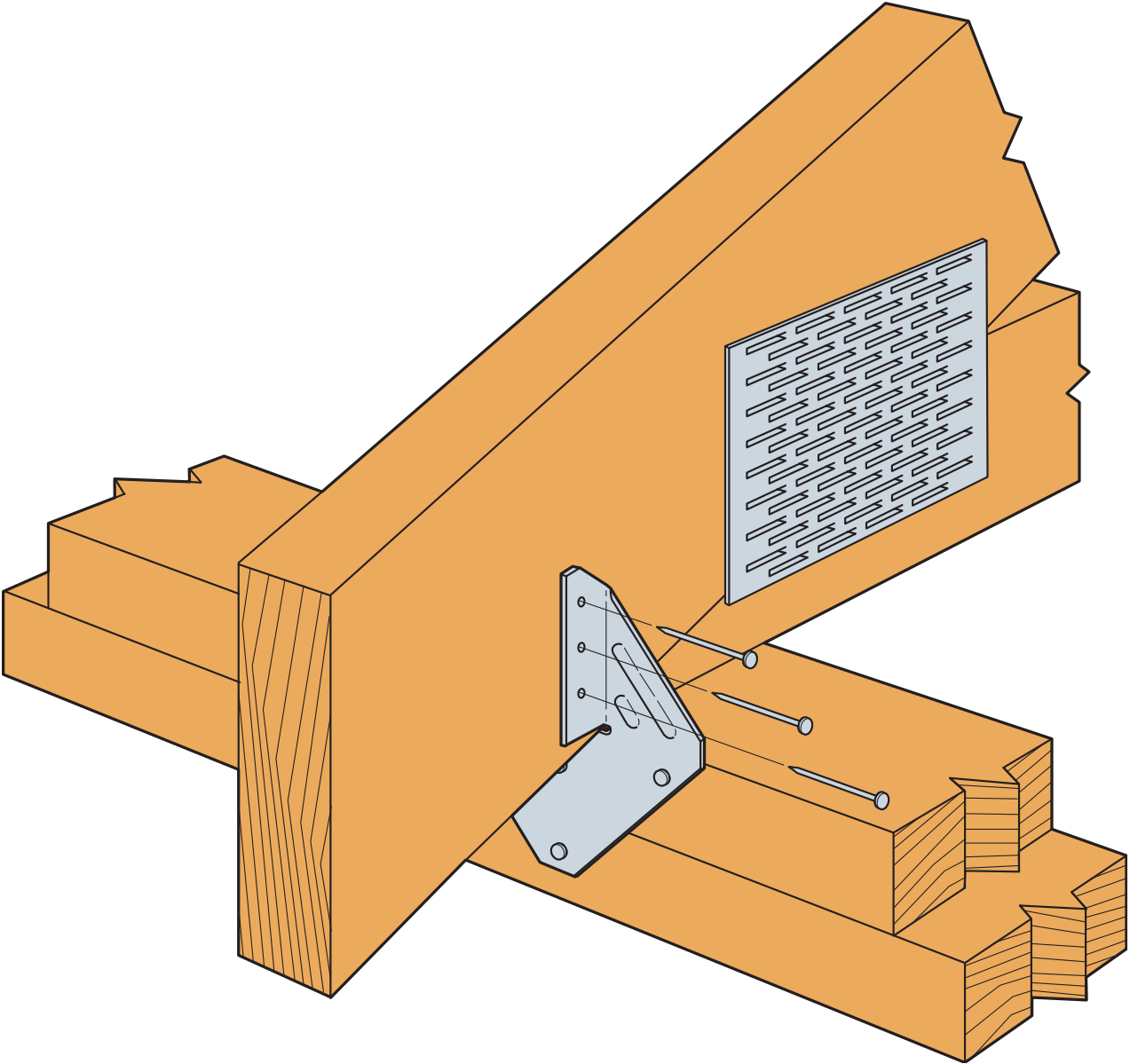
For truss fastening, use 1 1/2" nails.

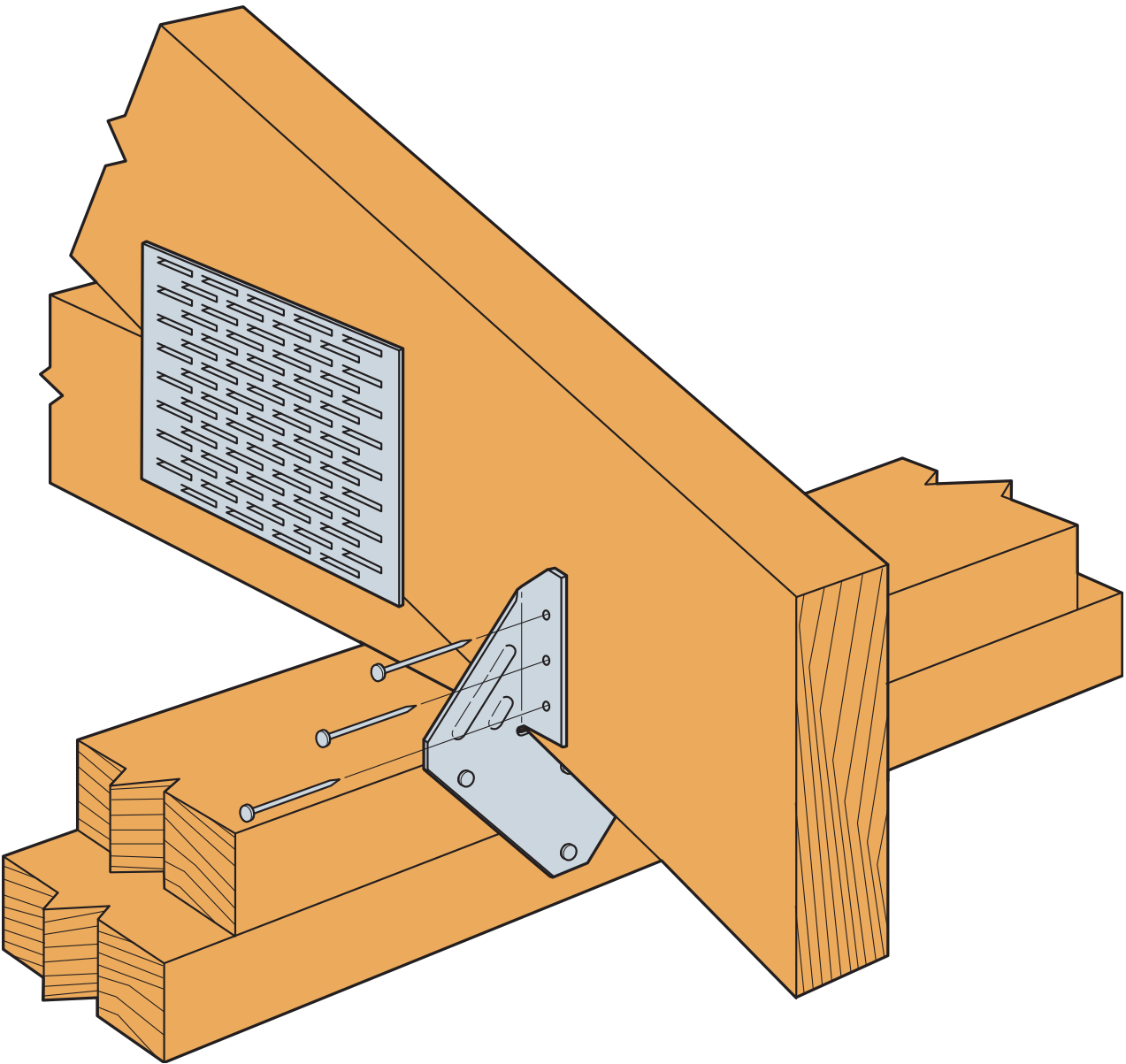
Para la fijación de truss, use clavos de 1 1/2".

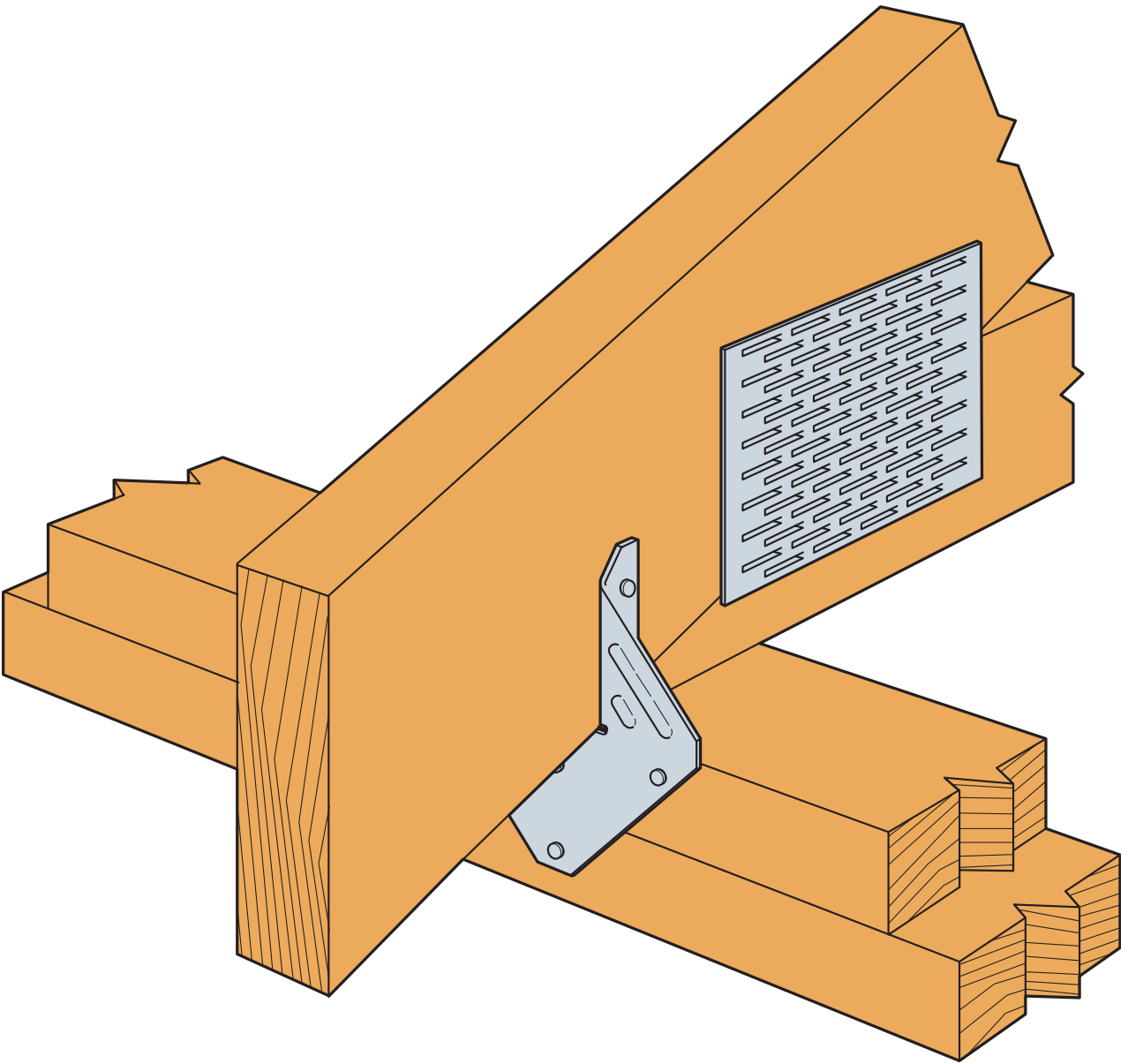
3

H1 Reversed

H1 Invertido







Additional Conditions

Rafter Condition

