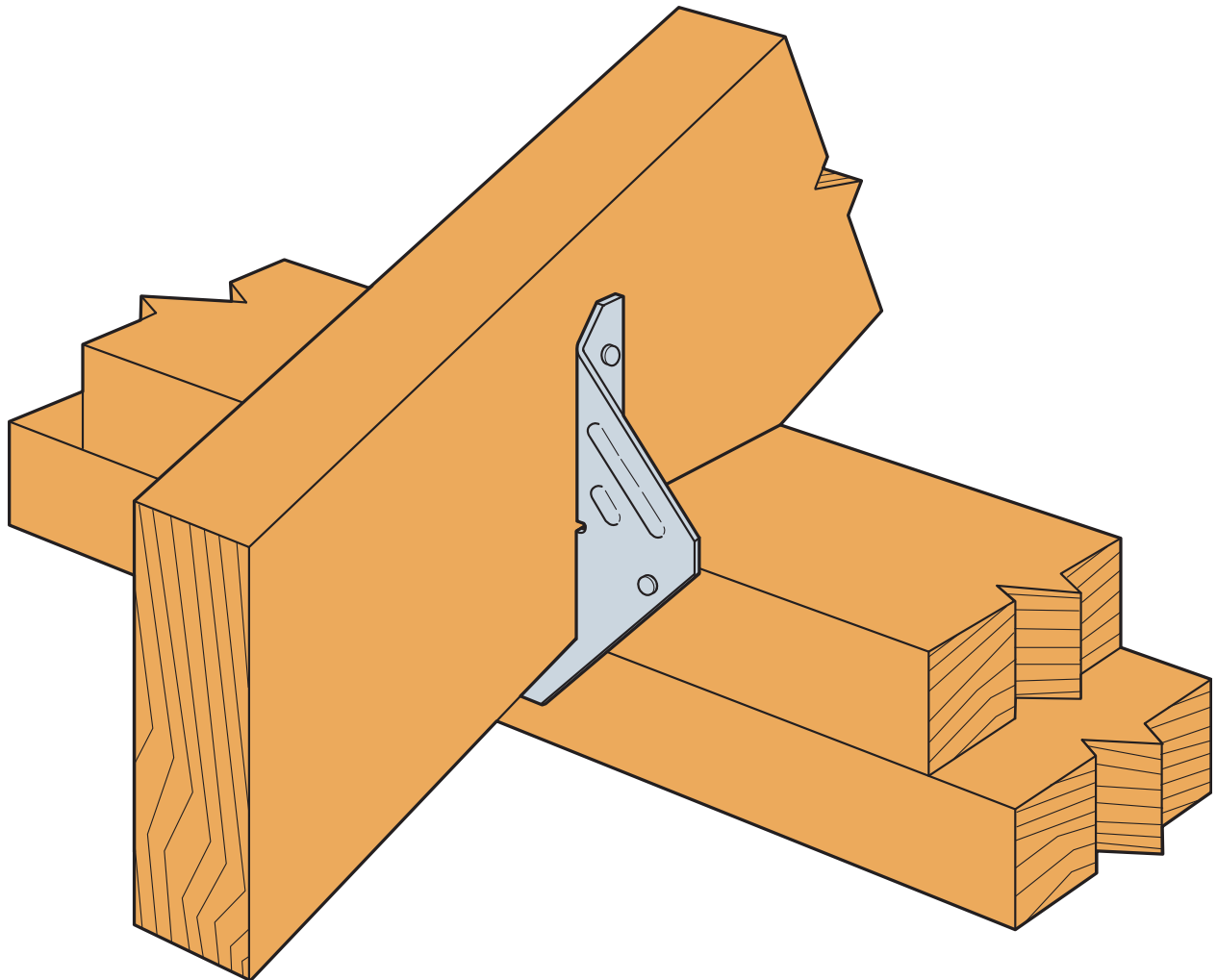


H1 Hurricane Tie

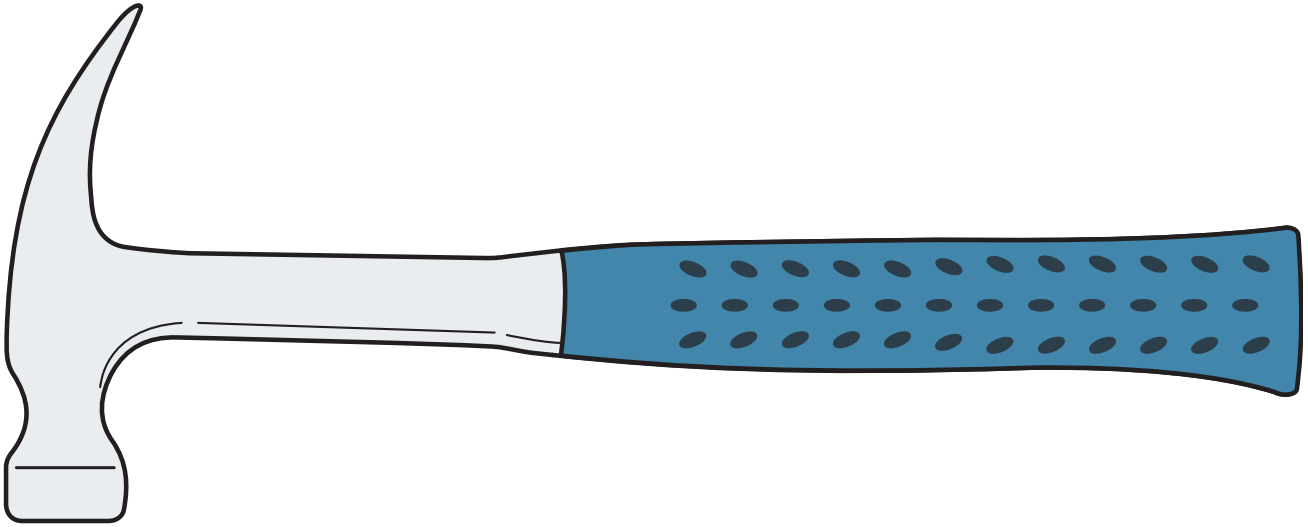
 strongtie.com/resources/product-installers-guide/h1-rafter-condition



Rafter Condition

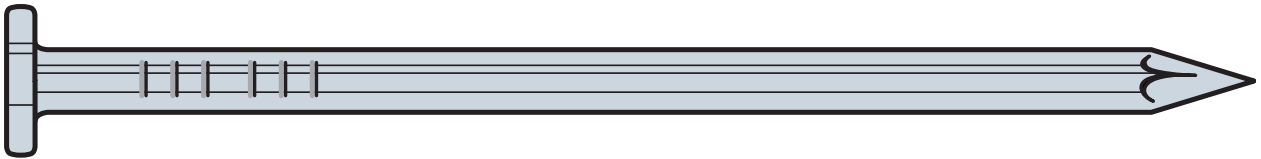
The H1 hurricane tie (rafter condition) provides a positive connection between rafter and the wall of the structure to resist wind and seismic forces.

Tools

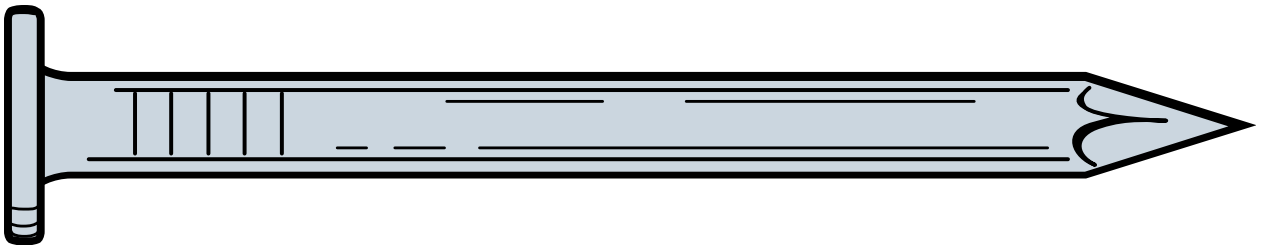


Hammer

Fasteners



8d (0.131" x 2 1/2") Nail



8d x 1 1/2" (0.131" x 1 1/2") Nail

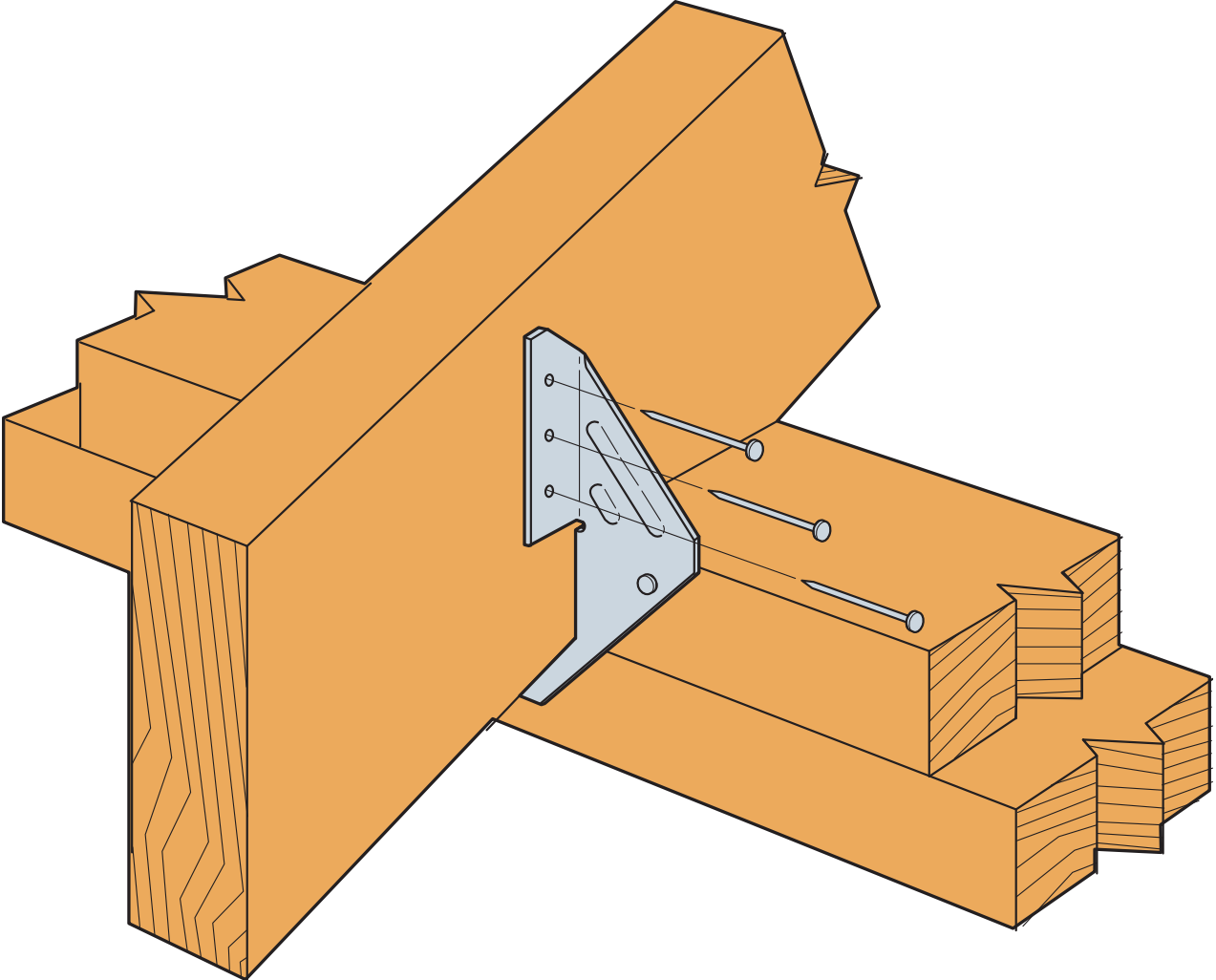
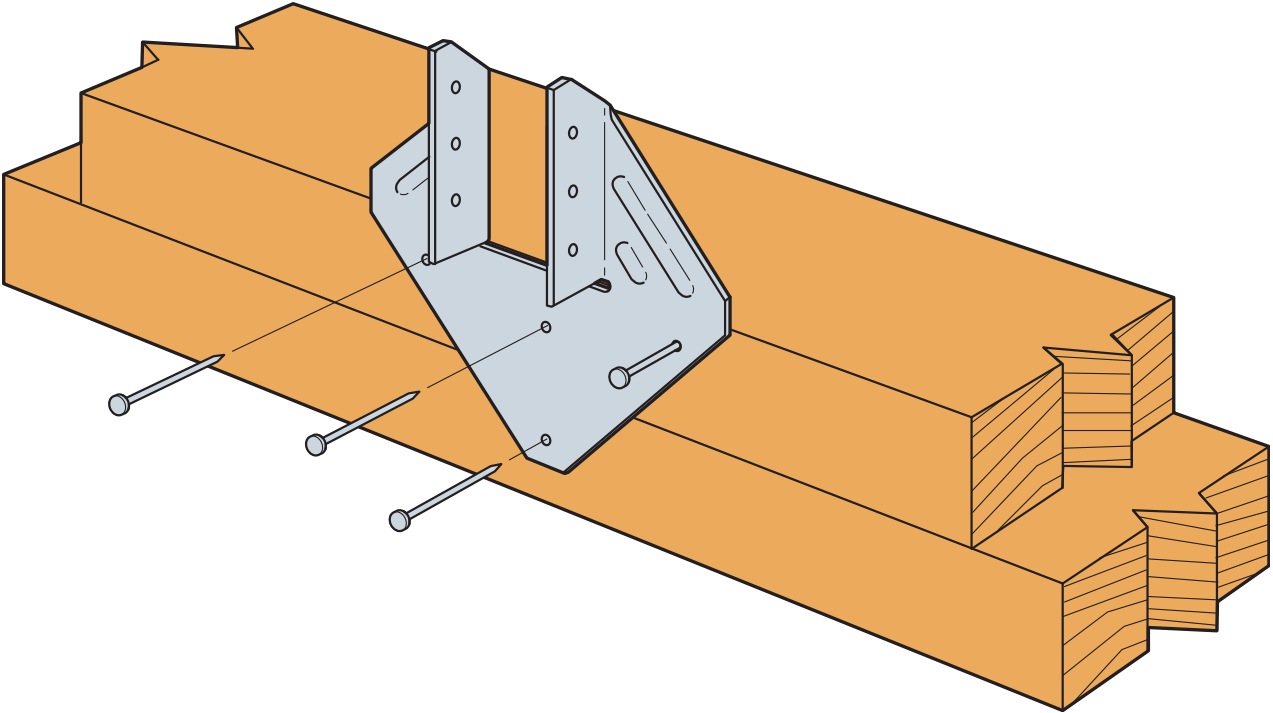
Installation

1

For plate fastening, use 2 1/2" nails.

Para la fijación de la placa, use clavos de 2 1/2 ".

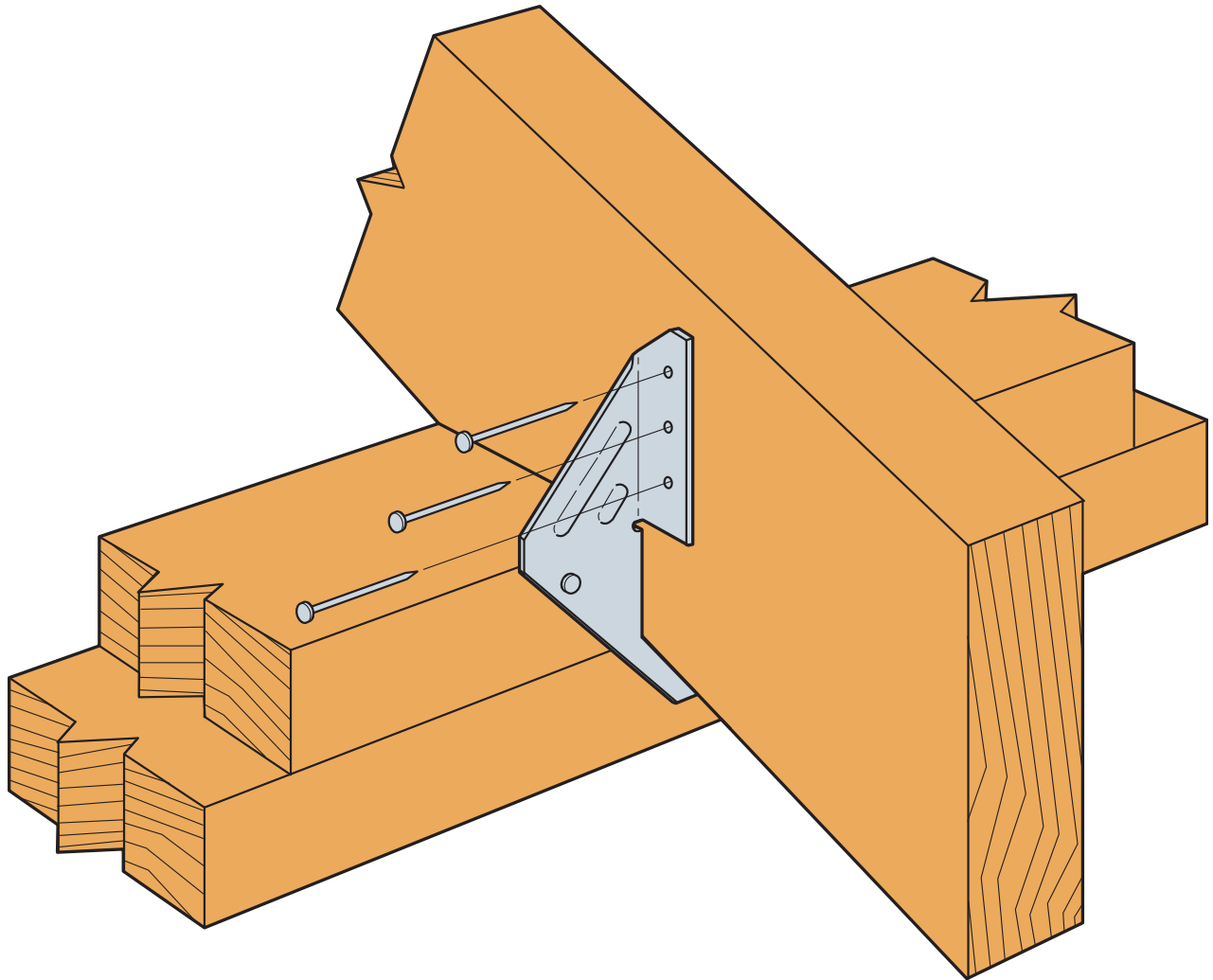
2



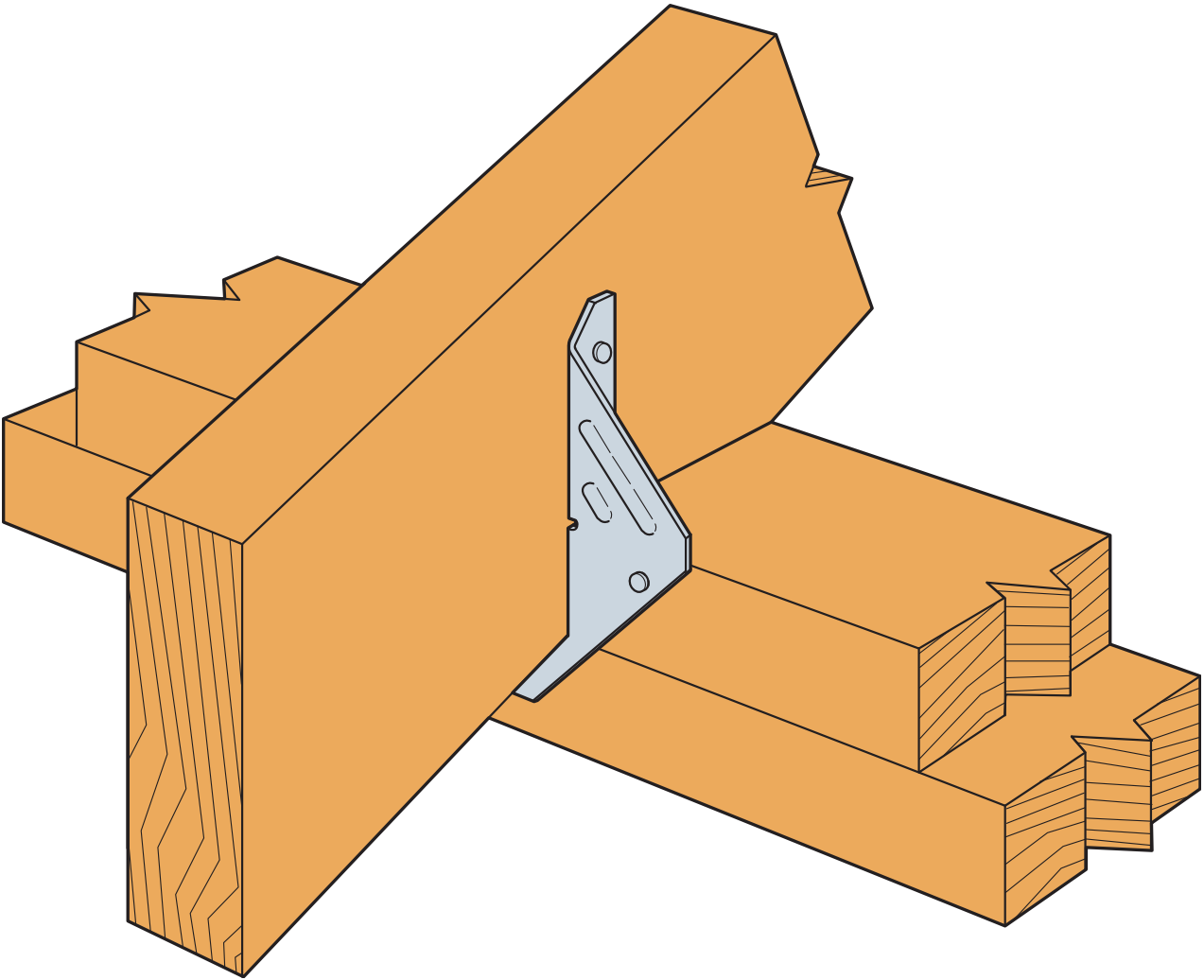
For rafter fastening, use 1 1/2" nails.

Para la fijación de cabrio, use clavos de 1 1/2".

3



H1 Reversed
H1 Invertido



Additional Conditions

Truss Condition

