



SUBMITTAL SHEET

9910 • 1/3 H.P.

PROFESSIONAL 3-BOLT MOUNT SYSTEM

- Space saving compact design!
- High-speed 1900 r.p.m. permanent magnet motor produces more power per pound.
- Corrosion resistant grinding components.
- Longest warranties in the industry demonstrates commitment to quality.
- **Safe for properly sized septic tanks.**

SEPTIC SAFE

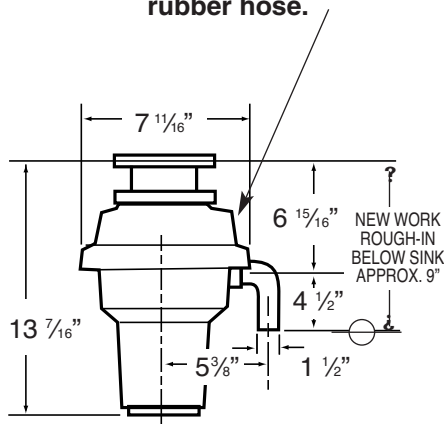


2 Year In-Home Service Warranty (see below).



DIMENSIONS

Knock-out for dishwasher drain connector sized for 7/8" I.D. rubber hose.



Measurements are in inches

SPECIFICATIONS

Motor Horsepower	1/3 H.P.
Motor Speed R.P.M.	1900
Voltage	115
Hz	60
Current-Amps	4.0
Motor Type	Permanent Magnet
Stopper	Positive Seal
Sink Flange	Stainless Steel & Celcon
Splash Guard	Not Removable
Waste Elbow	ABS
Feed	Continuous
Grind Ring	Heavy Gauge Steel
Swivel Impellers	Stainless Steel
Turntable	Galvanized Steel
Hopper	Glass Filled Nylon
Grinding Chamber	Corrosion Proof Glass Filled Polyester
Bearings	Permanently Lubricated; Sleeve Type
Overload Protector	Manual Reset Type
Shipping Weight (lbs.)	10.03
Pallet Quantity	196

36" power cord is included.

Due to continued product improvement, specifications may change without notice.

WARRANTY

Any Model 9910 less than 2 years old that develops a material or mechanical defect will be replaced in your home free of charge.

Anaheim Manufacturing

4240 E. La Palma Avenue • Anaheim, California 92807
 (800) 854-3229
www.wasteking.com



SUBMITTAL SHEET

9920 • 1/2 H.P.

PROFESSIONAL 3-BOLT MOUNT SYSTEM

- Space saving compact design!
- High-speed 2600 r.p.m. permanent magnet motor produces more power per pound.
- Corrosion resistant grinding components.
- Longest warranties in the industry demonstrates commitment to quality.
- Safe for properly sized septic tanks.

SEPTIC SAFE

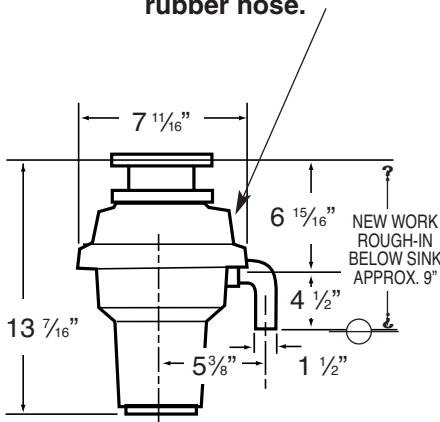


2 Year In-Home Service Warranty
(see below).



DIMENSIONS

Knock-out for dishwasher drain connector sized for 7/8" I.D. rubber hose.



Measurements are in inches

WARRANTY

Any Model 9920 less than 2 years old that develops a material or mechanical defect will be replaced in your home free of charge.

SPECIFICATIONS

Motor Horsepower	1/2 H.P.
Motor Speed R.P.M.	2600
Voltage	115
Hz	60
Current-Amps	4.5
Motor Type	Permanent Magnet
Sink Flange	Stainless Steel & Celcon
Stopper/Actuator	Positive Seal
Splash Guard	Not Removable
Waste Elbow	ABS
Feed	Continuous
Grind Ring	Heavy Gauge Steel
Swivel Impellers	Stainless Steel
Turntable	Galvanized Steel
Hopper	Glass Filled Nylon
Grinding Chamber	Corrosion Proof Glass Filled Polyester
Bearings	Permanently Lubricated; Sleeve Type
Overload Protector	Manual Reset Type
Shipping Weight (lbs.)	10.62
Pallet Quantity	196

36" power cord is included.

Due to continued product improvement, specifications may change without notice.

Anaheim Manufacturing

4240 E. La Palma Avenue • Anaheim, California 92807
(800) 854-3229
www.wasteking.com



SUBMITTAL SHEET

9930 • 1/2 H.P.

PROFESSIONAL 3-BOLT MOUNT SYSTEM

- High-speed 2600 r.p.m. permanent magnet motor produces more power per pound.
- Stainless steel, rust free grinding components.
- Longest warranties in the industry demonstrates commitment to quality.
- Sound insulated for quiet operation.
- Safe for properly sized septic tanks.

SEPTIC SAFE

IN-HOME 5 YEAR WARRANTY

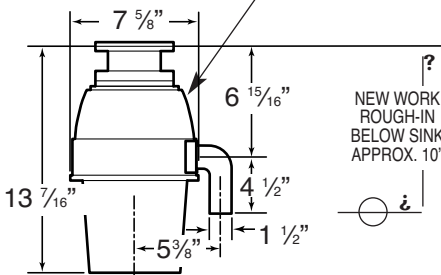


5 Year In-Home Service Warranty and LIFETIME Corrosion Warranty (see below)



DIMENSIONS

Knock-out for dishwasher drain connector sized for 7/8" I.D. rubber hose.



Measurements are in inches

WARRANTY

Any Model 9930 less than 5 years old that develops a material or mechanical defect will be replaced in your home free of charge.

LIFETIME WARRANTY AGAINST CORROSION.

Any Model 9930 that fails to operate because of corrosion will be repaired or replaced free of charge to the original purchaser. Labor not included.

SPECIFICATIONS

Motor Horsepower	1/2 H.P.
Motor Speed R.P.M.	2600
Voltage	115
Hz	60
Current-Amps	4.5
Motor Type	Permanent Magnet
Sink Flange	Stainless Steel & Celcon
Stopper	Positive Seal
Splash Guard	Not Removable
Waste Elbow	ABS
Feed	Continuous
Grind Ring	Stainless Steel
Swivel Impellers	Stainless Steel
Turntable	Stainless Steel
Hopper	Glass Filled Nylon
Grinding Chamber	Corrosion Proof Glass Filled Polyester
Bearings	Permanently Lubricated; Sleeve Type
Overload Protector	Manual Reset Type
Shipping Weight (lbs.)	10.48
Pallet Quantity	100

* 36" power cord is included.

Due to continued product improvement, specifications may change without notice.

Anaheim Manufacturing

4240 E. La Palma Avenue • Anaheim, California 92807
(800) 854-3229
www.wasteking.com



SUBMITTAL SHEET

9930TC • 1/2 H.P.

BATCH FEED OPERATION

PROFESSIONAL 3-BOLT MOUNT SYSTEM

- Batchfeed operation...No wall switch required!
- High-speed 2600 r.p.m. permanent magnet motor produces more power per pound.
- Stainless steel, rust free grinding components.
- Longest warranties in the industry demonstrates commitment to quality.
- Sound insulated for quiet operation.
- Safe for properly sized septic tanks.

SEPTIC SAFE

IN-HOME 5 YEAR WARRANTY

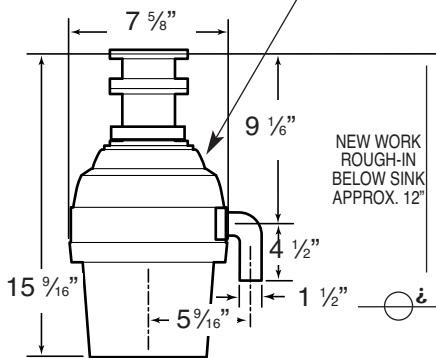


5 Year In-Home Service Warranty (see below)



DIMENSIONS

Knock-out for dishwasher drain connector sized for 7/8" I.D. rubber hose.



Measurements are in inches

WARRANTY

Any Model 9930TC less than 5 years old that develops a material or mechanical defect will be replaced in your home free of charge.

SPECIFICATIONS

Motor Horsepower	1/2 H.P.
Motor Speed R.P.M.	2600
Voltage	115
Hz	60
Current-Amps	4.5
Motor Type	Permanent Magnet
Sink Flange	Stainless Steel & Celcon
Stopper/Actuator	3 Position
Waste Elbow	ABS
Feed	Batch Loading
Grind Ring	Stainless Steel
Swivel Impellers	Stainless Steel
Turntable	Stainless Steel
Hopper	Glass Filled Nylon
Grinding Chamber	Corrosion Proof Glass Filled Polyester
Bearings	Permanently Lubricated; Sleeve Type
Overload Protector	Manual Reset Type
Shipping Weight (lbs.)	11.60
Pallet Quantity	75

* 36" power cord is included.

Due to continued product improvement, specifications may change without notice.

Anaheim Manufacturing

4240 E. La Palma Avenue • Anaheim, California 92807
 (800) 854-3229
 www.wasteking.com



SUBMITTAL SHEET

9940 • 3/4 H.P.
PROFESSIONAL 3-BOLT MOUNT SYSTEM

- High-speed 2600 r.p.m. permanent magnet motor produces more power per pound.
- Stainless steel, rust free grinding components.
- Longest warranties in the industry demonstrates commitment to quality.
- Sound insulated for quiet operation.
- **Safe for properly sized septic tanks.**

SEPTIC SAFE

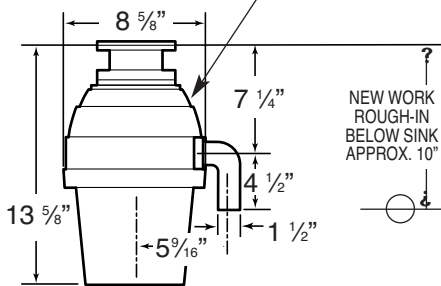


8 Year Replacement and LIFETIME Corrosion Warranty (see below)



DIMENSIONS

Knock-out for dishwasher drain connector sized for 7/8" I.D. rubber hose.



Measurements are in inches

WARRANTY

Any Model 9940 less than 8 years old that develops a material or mechanical defect will be replaced in your home free of charge.

LIFETIME WARRANTY AGAINST CORROSION.

Any Model 9940 that fails to operate because of corrosion will be replaced free of charge to the original purchaser. Labor not included.

SPECIFICATIONS

Motor Horsepower	3/4 H.P.
Motor Speed R.P.M.	2700
Voltage	115
Hz	60
Current-Amps	4.5
Motor Type	Permanent Magnet
Sink Flange	Stainless Steel & Celcon
Stopper	Positive Seal
Splash Guard	Not Removable
Waste Elbow	ABS
Feed	Continuous
Grind Ring	Stainless Steel
Swivel Impellers	Stainless Steel
Turntable	Stainless Steel
Hopper	Glass Filled Nylon
Grinding Chamber	Corrosion Proof Glass Filled Polyester
Bearings	Permanently Lubricated; Sleeve Type
Overload Protector	Manual Reset Type
Shipping Weight (lbs.)	11.335
Pallet Quantity	100

36" power cord is included.

Due to continued product improvement, specifications may change without notice.

Anaheim Manufacturing

4240 E. La Palma Avenue • Anaheim, California 92807
(800) 854-3229
www.wasteking.com



SUBMITTAL SHEET

9950 • 3/4 H.P.

PROFESSIONAL 3-BOLT MOUNT SYSTEM

- High-speed 2700 r.p.m. permanent magnet motor produces more power per pound.
- Stainless steel, rust free grinding components.
- Sound insulated for quiet operation.
- Longest warranties in the industry demonstrates commitment to quality.
- Safe for properly sized septic tanks.

SEPTIC SAFE

IN-HOME 10 YEAR WARRANTY

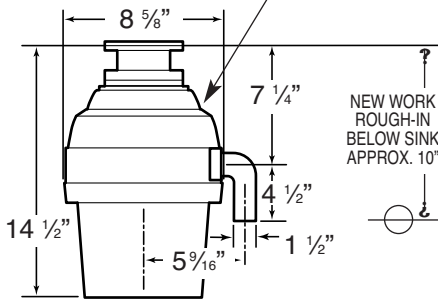


10 Year In-Home Service and LIFETIME Corrosion Warranty (see below)



DIMENSIONS

Knock-out for dishwasher drain connector sized for 7/8" I.D. rubber hose.



Measurements are in inches

WARRANTY

Any Model 9950 less than 10 years old that develops a material or mechanical defect will be replaced in your home free of charge.

LIFETIME WARRANTY AGAINST CORROSION

Any Model 9950 that fails to operate because of corrosion will be repaired or replaced free of charge to the original purchaser. Labor not included.

SPECIFICATIONS

Motor Horsepower	3/4 H.P.
Motor Speed R.P.M.	2700
Voltage	115
Hz	60
Current-Amps	6.0
Motor Type	Permanent Magnet
Stopper	Positive Seal
Sink Flange	Stainless Steel & Celcon
Splash Guard	Not Removable
Waste Elbow	ABS
Feed	Continuous
Grind Ring	Stainless Steel
Swivel Impellers	Cast Stainless Steel
Turntable	Stainless Steel
Hopper	Glass Filled Nylon
Grinding Chamber	Corrosion Proof Glass Filled Polyester
Bearings	Permanently Lubricated; Sleeve Type
Overload Protector	Manual Reset Type
Sound Shell	Yes-Full
Shipping Weight (lbs.)	13.36
Pallet Quantity	100

* 36" power cord is included.

Due to continued product improvement, specifications may change without notice.

Anaheim Manufacturing

4240 E. La Palma Avenue • Anaheim, California 92807
 (800) 854-3229
www.wasteking.com



SUBMITTAL SHEET

9900TC* • 3/4 H.P.

BATCH FEED OPERATION

PROFESSIONAL 3-BOLT MOUNT SYSTEM

- Batchfeed operation...No wall switch required!
- High-speed 2700 r.p.m. permanent magnet motor produces more power per pound.
- Stainless steel, rust free grinding components.
- Longest warranties in the industry demonstrates commitment to quality.
- Sound insulated for quiet operation.
- Safe for properly sized septic tanks.

SEPTIC SAFE

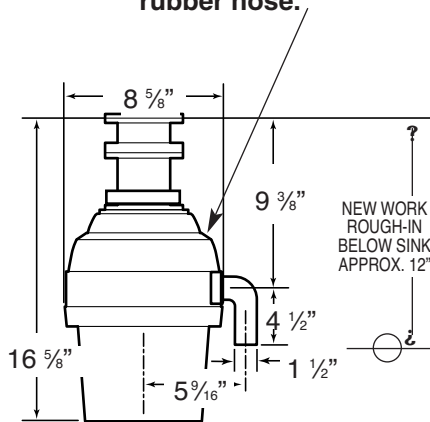


10 Year In-Home Service Warranty
(see below)



DIMENSIONS

Knock-out for dishwasher drain connector sized for 7/8" I.D. rubber hose.



Measurements are in inches

WARRANTY

Any Model 9900TC less than 10 years old that develops a material or mechanical defect will be replaced in your home free of charge.

SPECIFICATIONS

Motor Horsepower	3/4 H.P.
Motor Speed R.P.M.	2700
Voltage	115
Hz	60
Current-Amps	6.0
Motor Type	Permanent Magnet
Sink Flange	Stainless Steel & Celcon
Stopper/Actuator	3 Position
Waste Elbow	ABS
Feed	Batch Loading
Grind Ring	Stainless Steel
Swivel Impellers	Cast Stainless Steel
Turntable	Stainless Steel
Hopper	Glass Filled Nylon
Grinding Chamber	Corrosion Proof Glass Filled Polyester
Bearings	Permanently Lubricated; Sleeve Type
Overload Protector	Manual Reset Type
Sound Shell	Yes-Full
Shipping Weight (lbs.)	14.41
Pallet Quantity	75

* 36" power cord is included.

Due to continued product improvement, specifications may change without notice.

Anaheim Manufacturing

4240 E. La Palma Avenue • Anaheim, California 92807

(800) 854-3229

www.wasteking.com



SUBMITTAL SHEET

9980 • 1 H.P.

PROFESSIONAL 3-BOLT MOUNT SYSTEM

- High-speed 2800 r.p.m. permanent magnet motor produces more power per pound.
- Stainless steel, rust free grinding components.
- Longest warranties in the industry demonstrates commitment to quality.
- Sound insulated for quiet operation.
- Safe for properly sized septic tanks.

SEPTIC SAFE

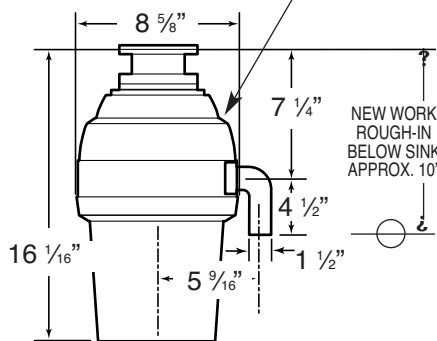


LIFETIME In-Home Service and LIFETIME Corrosion Warranty (see below)



DIMENSIONS

Knock-out for dishwasher drain connector sized for 7/8" I.D. rubber hose.



Measurements are in inches

WARRANTY

Any Model 9980 that fails to operate during the lifetime of the original purchaser and limited to the original purchaser, will be replaced in your home free of charge.

LIFETIME WARRANTY AGAINST CORROSION

Any Model 9980 that fails to operate because of corrosion will be repaired or replaced free of charge to the original purchaser. Labor not included.

SPECIFICATIONS

Motor Horsepower	1 H.P.
Motor Speed R.P.M.	2800
Voltage	115
Hz	60
Current-Amps	7.0
Motor Type	Permanent Magnet
Stopper	Positive Seal
Sink Flange	Stainless Steel & Celcon
Splash Guard	Not Removable
Waste Elbow	ABS
Feed	Continuous
Grind Ring	Stainless Steel
Swivel Impellers	Cast Stainless Steel
Turntable	Stainless Steel
Hopper	Glass Filled Nylon
Grinding Chamber	Corrosion Proof Glass Filled Polyester
Bearings	Permanently Lubricated; Sleeve Type
Overload Protector	Manual Reset Type
Sound Shell	Yes-Full
Shipping Weight (lbs.)	15.91
Pallet Quantity	100

* 36" power cord is included.

Due to continued product improvement, specifications may change without notice.

Anaheim Manufacturing

4240 E. La Palma Avenue • Anaheim, California 92807

(800) 854-3229

www.wasteking.com



SUBMITTAL SHEET

9980TC* • 1 H.P.

BATCH FEED OPERATION

PROFESSIONAL 3-BOLT MOUNT SYSTEM

- Batchfeed operation...No wall switch required!
- High-speed 2800 r.p.m. permanent magnet motor produces more power per pound.
- Stainless steel, rust free grinding components.
- Longest warranties in the industry demonstrates commitment to quality.
- Sound insulated for quiet operation.
- **Safe for properly sized septic tanks.**

SEPTIC SAFE

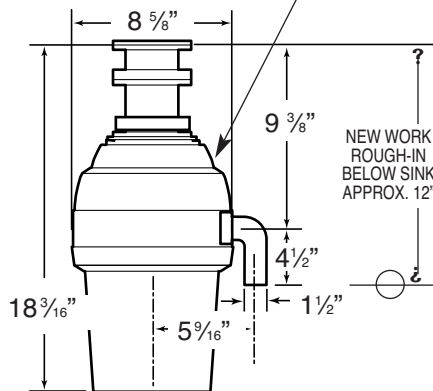


10 Year In-Home Service Warranty
(see below)



DIMENSIONS

Knock-out for dishwasher drain connector sized for 7/8" I.D. rubber hose.



Measurements are in inches

WARRANTY

Any Model 9980TC less than 10 years old that develops a material or mechanical defect will be replaced in your home free of charge.

SPECIFICATIONS

Motor Horsepower	1 H.P.
Motor Speed R.P.M.	2800
Voltage	115
Hz	60
Current-Amps	6.0
Motor Type	Permanent Magnet
Sink Flange	Stainless Steel & Celcon
Stopper/Actuator	3 Position
Waste Elbow	ABS
Feed	Batch Loading
Grind Ring	Stainless Steel
Swivel Impellers	Cast Stainless Steel
Turntable	Stainless Steel
Hopper	Glass Filled Nylon
Grinding Chamber	Corrosion Proof Glass Filled
Bearings	Polyester Permanently Lubricated; Sleeve Type
Overload Protector	Manual Reset Type
Sound Shell	Yes-Full
Shipping Weight (lbs.)	16.620
Pallet Quantity	75

* 36" power cord is included.

Due to continued product improvement, specifications may change without notice.

Anaheim Manufacturing

4240 E. La Palma Avenue • Anaheim, California 92807

(800) 854-3229

www.wasteking.com