

www.septicsolutions.com
 SEPTIC SOLUTIONS, INC.
CYCLONE™
 High Performance Air Pumps

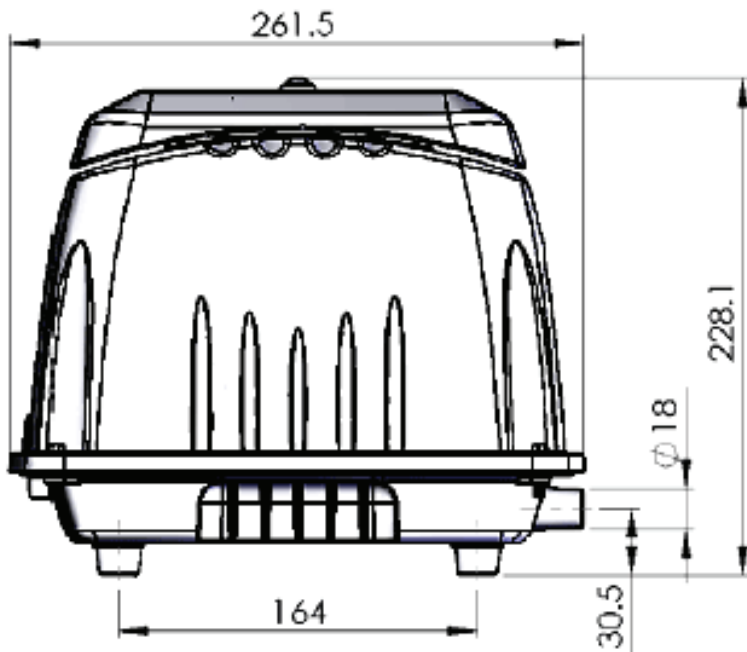
SSX-80



AIR PUMP SPECIFICATIONS

| | |
|-----------|----------|
| Voltage | 115 VAC |
| Amperage | 1.8 A |
| Wattage | 101 W |
| Max CFM | 5.1 cfm |
| Rated LPM | 80 lpm |
| Max PSI | 5.97 psi |

CFM = Cubic Feet/Min LPM = Liters/Min PSI = Lbs/Sq In



Dimensions measured in mm

