

212 Frost Free Sillcock • Spec Sheet

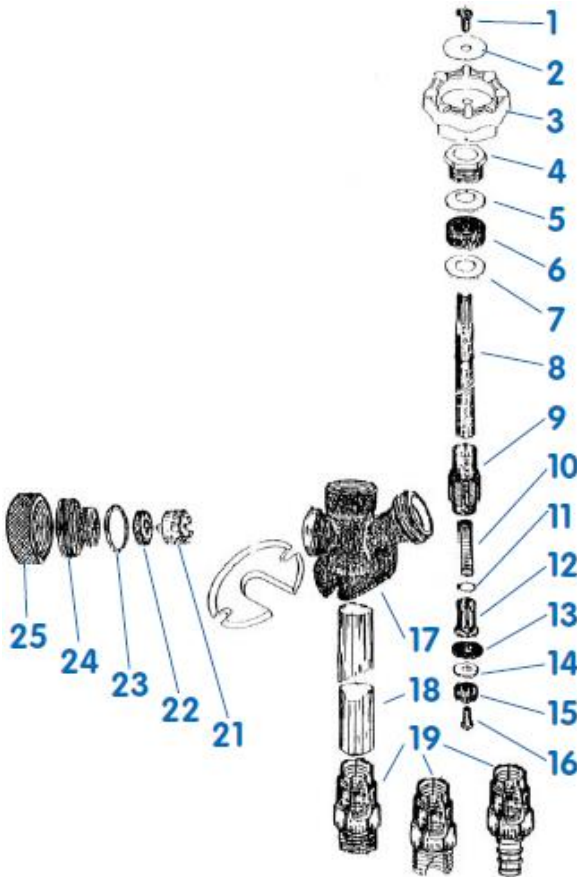


FEATURES & BENEFITS

- ISO 9001:2000
- 125 WOG
- Frost Free Sillcock-Anti-Siphon
- CSA & ASSE
- Chrome-Plated Brass Body and Tube
- Hose x 1/2" MIP / 1/2" Solder
- Sizes 4" - 14"

MATERIAL SPECIFICATIONS

No.	Part	Material	ASTM Designation
1	Handle Bolt	Hot Rolled	SAE 1010R
2	Name Plate	Aluminum	A1100
3	Hand Wheel	Zinc	Z30A
4	Bonnet	Brass	UNS B16, C36000
5	Washer	Brass	UNS B124, C37700
6	Packing	Rubber	SAE 1052
7	Washer	Brass	UNS B124, C37700
8	Stem Pipe	Brass	C37700
9	Stem	Brass	UNS B16, C36000
10	Spring	Stainless Steel	304/ 306
11	O-Ring	Rubber	SAE 1052
12	Spring Seat	Brass	UNS B16, C36000
13	Packing	Rubber	SAE 1052
14	Seat Holder	Brass	UNS B124, C37700
15	Seat Packing	Rubber	SAE 1052
16	Seat Screw	Brass	UNS B124, C37700
17	Body	Brass	B584, C85710
18	Pipe Flow	Brass	27000
19	Nipple	Brass	UNS B16, C36000
20	Flange Packing	Celcon	POM M90, CF500P
21	Floating	Celcon	POM M90, CF500P
22	Floating Pack	Rubber	SAE 1052
23	O-Ring	Rubber	SAE 1052
24	Bolt Packing	Celcon	POM M90, CF500P
25	Cap	Brass	UNS B16, C36000



MATCO-NORCA
Global sourcing. National compliance. Local service.

CALIFORNIA 5595 Fresca Dr., La Palma CA 90623
TEXAS 1150 Silber Rd., Houston TX 77055
ILLINOIS 278 Windy Point Dr., Glendale Heights, IL 60139
GEORGIA 113 Industrial Blvd., Americus, Georgia 31709
NEW YORK PO Box 27, Rt.22, Brewster NY 10509
 WEB: www.matco-norca.com

• Phone: 866-532-8306 • Fax: 866-532-8307
 • Phone: 800-935-5456 • Fax: 713-680-2999
 • Phone: 844-412-5068 • Fax: 800-640-2252
 • Phone: 800-433-7526 • Fax: 800-533-5134
 • Phone: 800-431-2082 • Fax: 845-278-9056
 EMAIL: mail@matco-norca.com