

## INSTALLATION INSTRUCTIONS FOR SOLID VENT KIT PART NUMBER

# 239-48914-00

# 239-51286-00

### WARNING

The vent-air intake system must be properly installed. Failure to properly install the vent-air intake system could result in property damage, personal injury or death.

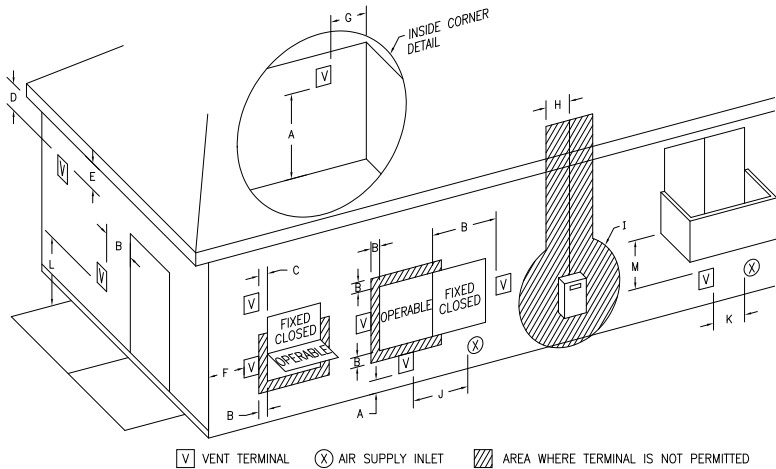
DO NOT install any damaged vent-air intake system components.  
Contact the manufacturer of the water heater for replacement parts.

This vent kit is designed to bring all air for combustion from the outside and vent all the combustion products to the outside when properly installed. This vent kit should only be used with direct vent water heaters that were designed to use this vent kit. Refer to the label on the water heater to determine if this kit is the correct kit for the water heater that you are installing. Consult the supplier of the water heater if you are not certain that this is the correct vent kit. Refer to the information in these instructions and the instructions provided with the water heater when determining the location of the vent terminal and water heater.

The vent system must terminate so that proper clearances are maintained as cited in local codes or the latest edition of the National Fuel Gas Code, ANSI Z223.1 as follows:

1. Do not terminate near soffit vents or crawl space or other area where condensate or vapor could create a nuisance or hazard or cause property damage.
2. Do not terminate the exhaust vent terminal where condensate or vapor could cause damage or could be detrimental to the operation of regulators, relief valves, or other equipment.
3. Do not terminate the exhaust vent terminal over public area or walkways where condensate or vapor can cause nuisance or hazard.
4. The vent shall terminate a minimum of 12 inches above expected snowfall level to prevent blockage of vent termination.

Vent pipes serving direct vent appliances are classified by building codes as "vent connectors". Required clearances from combustible materials must be provided in accordance with information in this manual under LOCATION OF WATER HEATER and CLEARANCES, and with National Fuel Gas Code and local code.



**Figure 1**

**Direct Vent Terminal Clearances**

	Canadian Installations <sup>1</sup>	US Installations <sup>2</sup>
A= Clearance above grade, veranda, porch, deck or balcony	12 inches (30 cm)	12 inches (30 cm)
B= Clearance to widow or door that may be opened	12 inches (30 cm)	9 inches (23 cm) for appliances > 10,000 Btuh (3 kW) and ≤ 50,000 Btuh (15 kW), 12 inches (30 cm) for appliances > 50,000 Btuh (15 kW)
C= Clearance to permanently closed widow	*b	*b
D= Vertical clearance to ventilated soffit located above the terminal within a horizontal distance of 2 feet (61 cm) from the center line of the terminal	12 inches (30 cm) *a	12 inches (30 cm) *a
E= Clearance to unventilated soffit	12 inches (30 cm) *a	12 inches (30 cm) *a
F= Clearance to outside corner	*b	*b
G= Clearance to inside corner	*b	*b
H= Clearance to each side of center line extended above meter/regulator assembly	3 feet (91 cm) within a height 15 feet (4.6 m) above the meter/regulator assembly	*b
I= Clearance to service regulator vent outlet or oil tank vent	36 inches (91 cm)	*b
J= Clearance to non-mechanical air supply inlet to building or the combustion air inlet to any other appliance	12 inches (30 cm)	9 inches (23 cm) for appliances > 10,000 Btuh (3 kW) and ≤ 50,000 Btuh (15 kW), 12 inches (30 cm) for appliances > 50,000 Btuh (15 kW)
K= Clearance to a mechanical air supply inlet	6 feet (1.83 m)	3 feet (91 cm) above if within 10 feet horizontally
L= Clearance above paved sidewalk or paved driveway located on public property	7 feet (2.13 m) †	*b
M= Clearance under a veranda, porch, deck, or balcony	12 inches (30 cm) ‡	*b

<sup>1</sup> In accordance with the current CAN/CGA-B149 *Installation Codes*.

<sup>2</sup> In accordance with the current ANSI Z223.1-(Latest edition)/NFPA 54 *National Fuel Gas Code*.

† A vent shall not terminate directly above a sidewalk or paved driveway that is located between two single-family dwellings and serves both dwellings.

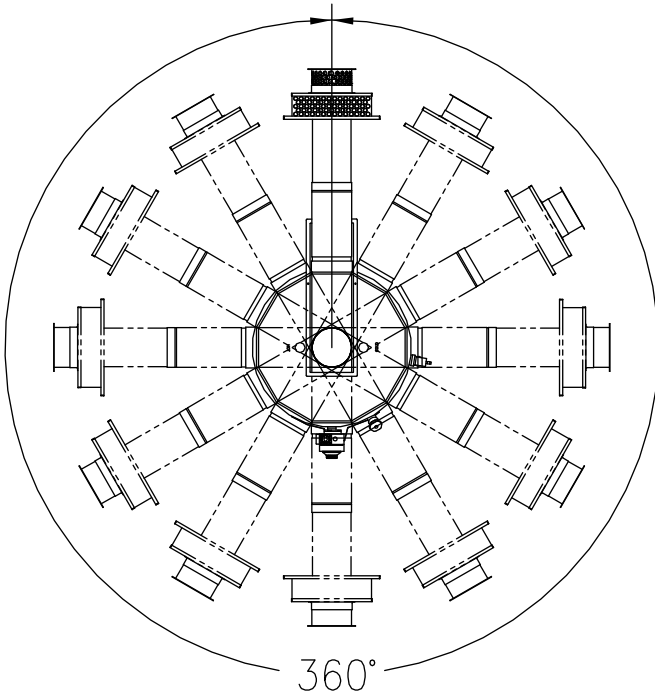
‡ Permitted only if a veranda, porch, deck or balcony is fully open on a minimum of two sides beneath the floor.

\*a) A minimum clearance value determined by testing in accordance with section 2.20.

\*b) "Clearance in accordance with local installation codes and the requirements of the gas supplier".

**IMPORTANT – Refer to parts list in the back of this manual and become familiar with the parts named in kit.**

The co-axial vent-air intake tubes of this water heater can be installed in any 360° configuration as long as the proper clearances for installation, plumbing, operation and servicing are maintained. (See Figure 2).



**Figure 2.**

**Note:** Maintain proper clearances for installation, plumbing, operation and service.

**⚠ WARNING**

The vent-air intake system must be properly installed. Failure to properly install the vent-air intake system could result in property damage, personal injury or death.

DO NOT install any damaged vent-air intake system components. Contact the manufacturer of the water heater for replacement parts.

## HORIZONTAL AND VERTICAL VENT-AIR INTAKE LENGTHS

Optional vent-air intake kits are available that can extend the horizontal length and/or vertical height of the vent-air intake system. Table A lists the various vertical and horizontal vent air-air intake system configurations.

The following components are found in the standard vent and air intake kit, P/N 239-42979-00 (kit H). This kit, as well as all optional vent and air intake kits must be ordered separately from the manufacturer shown on the rating plate.

4" Vent Tube*	Vent Terminal Hardware
6" Air Intake Tube	RTV Silicone Sealant
Vent Terminal	4" Vent Elbow
Inner Wall Term. Mounting Flange	6" Air Intake Elbow
Outer Wall Term. Mounting Flange	

- The vent and air intake telescopes from 13 3/4" to 23 11/16".

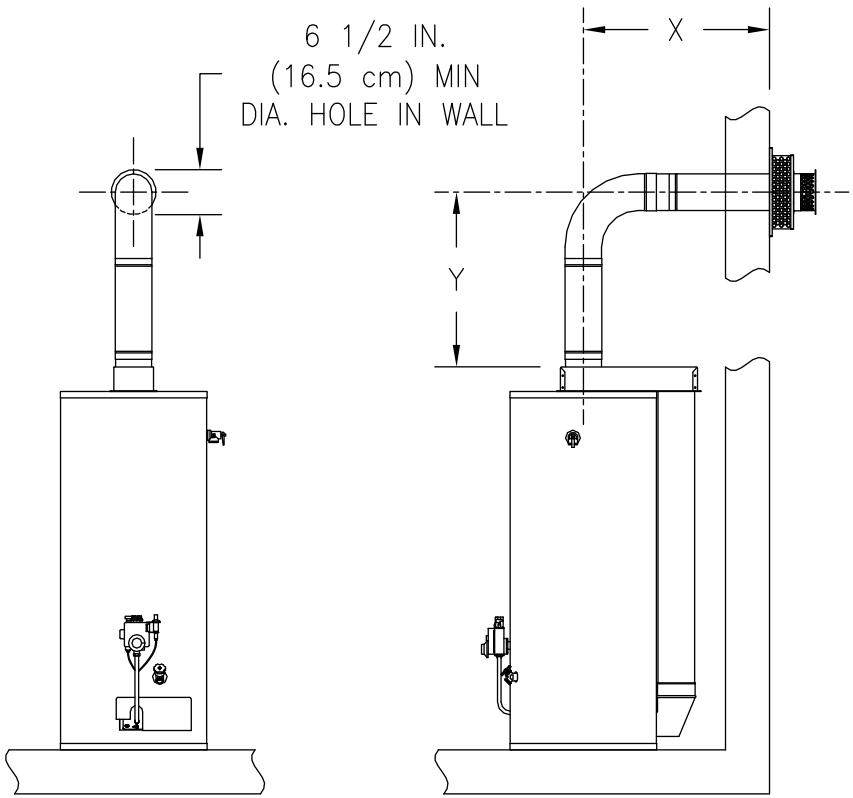
**Table A**

		Horizontal "X"				
		16 1/4 17 3/16	18 20 11/16	25 1/4 35 3/16	37 3/4 57 7/8	61 5/16 107 5/16
Vertical "Y"	11 9/16	order kit F	order kit G	<b>no add'l kit req'd</b>	<b>order kit H</b>	order kit I
	16 5/16 17 1/4	*order kit F (2)	order kit G & F	<b>order kit F</b>	<b>order kit H &amp; F</b>	order kit F & I
	18 1/16 20 3/4	order kit F & G	order kit G (2)	<b>order kit G</b>	<b>order kit G &amp; H</b>	order kit G & I
	25 5/16 35 1/4	<b>order kit F</b>	<b>order kit G</b>	<b>order kit H</b>	<b>order kit H (2)</b>	<b>order kit I</b>
	38 1/16 57 15/16	<b>order kit H &amp; F</b>	<b>order kit H &amp; G</b>	<b>order kit H (2)</b>	<b>order kit H (3)</b>	<b>order kit H &amp; I</b>
	61 3/8 107 3/8	order kit I & F	order kit I & G	<b>order kit I</b>	<b>order kit I &amp; H</b>	order kit I (2)

\* (2) = Order two of the kits referenced.

\* (3) = Order three of the kits referenced.

The bold text above show what kit(s) are needed in addition to the standard vent and air intake tubes. If the standard vent and air intake tubes are not used in the venting system (those that do not have bold text) they can be discarded or saved.



**Figure 3**

## VENT-AIR INTAKE SYSTEM INSTALLATION

### WARNING

The vent-air intake system must be properly installed. Failure to properly install the vent-air intake system could result in property damage, personal injury or death.

Do not install any damaged vent-air intake system components. Contact the manufacturer of the water heater for replacement parts.

### WARNING

The vent-air intake terminal must be installed through an outside wall in a horizontal position. This direct vent water heater is not designed for through the roof vertical venting.

### IMPORTANT

When the following instructions specify, to seal a vent-air intake joint, use only Loctite Ultra Blue 587 RTV Silicone sealant. A tube of Loctite Ultra Blue 587 RTV Silicone sealant is supplied with each optional vent-air intake kit. Make sure that all joints are completely sealed.

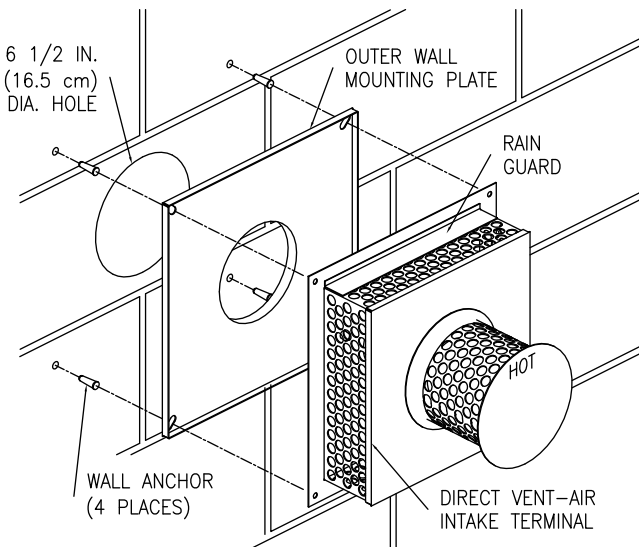
When drilling pilot holes for the #8 sheet metal screws through the six (6) inch (15.2 cm) diameter components, be careful not to drill into the inner four (4) inch (10.2 cm) diameter components.

## Tools Required For Vent-Air Intake Installation

The following minimum tools are required to properly install the vent-air intake system. *Note: Wall construction will determine tool usage.*

- **Tape Measure**
- **Drill**
- **3/16 inch (4.5 mm) Diameter Drill Bit(s)**
- **1/8 inch Diameter (3.0 mm) Drill Bit(s)**
- **Masonry Drill Bit(s)** (*For Poured Concrete, Concrete Block and Brick Wall Construction*)
- **Reciprocating Saw w/appropriate Blade(s)** (*Dependent on Wall Construction*)
- **Chisel** (*For Poured Concrete, Concrete Block and Brick Wall Construction*)
- **Hammer** (*For Poured Concrete, Concrete Block and Brick Wall Construction*)
- **1/4 & 5/16 inch Nut Drivers (Preferred) or Slotted Head Screwdriver**
- **Phillips Head Screwdriver**

1. Measure the vertical height “Y” required in your installation. (See Figure 3). Reference the appropriate Table A to determine number of vent-air intake kits required in your installation.
2. Measure the horizontal length “X” required in your installation (See Figure 3). Reference Table A to determine number of vent-air intake kits required in your installation.
3. Cut a 6-1/2 inch (16.5 cm) diameter minimum clearance hole in the wall at the point where the vent-air intake tubes will pass through the outside wall and connect with the direct vent-air intake terminal (See Figure 4).
4. From outside the building, position the outer wall mount plate and direct vent-air intake terminal over the center of the opening. Mark the mounting screw hole locations. With a 3/16 inch (4.5 mm) diameter drill bit (not supplied), drill holes for the wall anchors (supplied). Install the wall anchors but **DO NOT** affix the outer wall mount plate and direct vent-air intake terminal to the wall at this time (See Figure 4). Note: Certain construction of walls may require the use of a different type of wall anchoring means than supplied. **DO NOT** modify the direct vent-air intake terminal or outer wall mount plate.



**Figure 4**

## IMPORTANT

The following instructions detail the installation of the standard horizontal vent-air intake kit.

5. Insert the straight end of the four (4) inch (10.2 cm) diameter elbow into the flue reducer until firmly seated and oriented in the correct direction. With a 1/8 inch (3.0 mm) diameter drill bit (not supplied), drill three (3) holes, 120° apart, through the flue reducer into the four (4) inch (10.2 cm) diameter elbow. Fasten with three (3) #8 sheet metal screws (supplied). Using the supplied special RTV silicone sealant, apply a sufficient amount to seal the joint (See Figure 5).

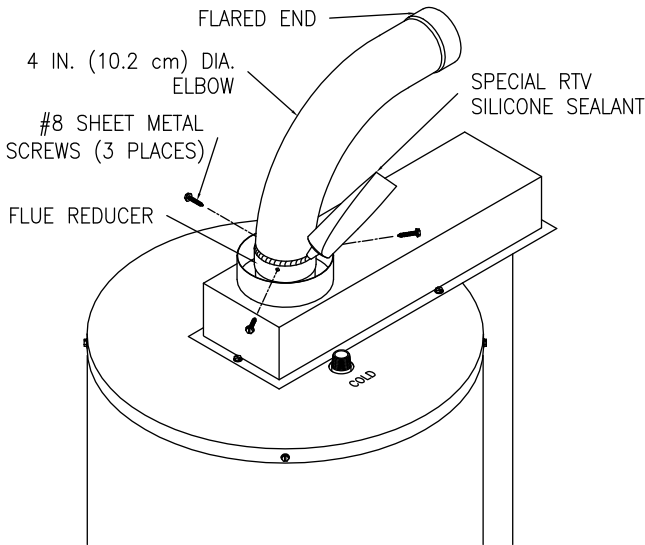
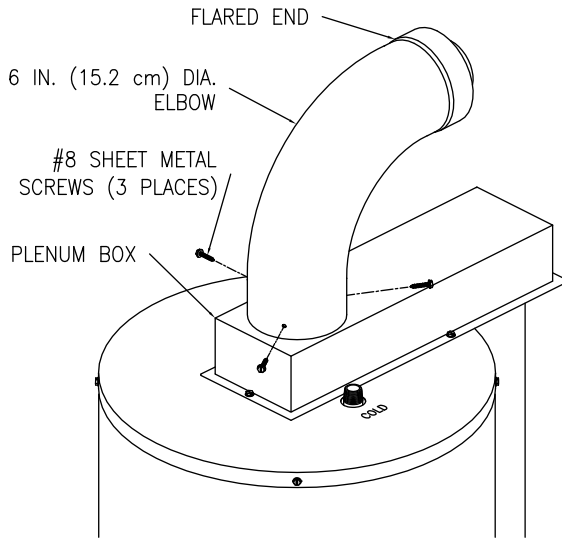


Figure 5

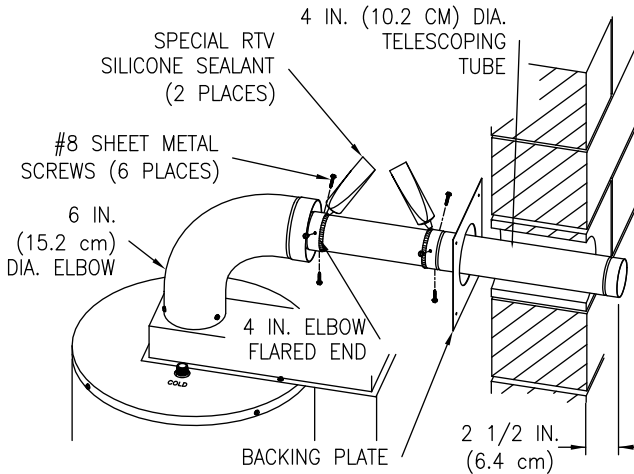
6. Place the straight end of the six (6) inch (15.2 cm) diameter elbow over the four (4) inch (10.2 cm) diameter elbow and plenum collar until seated on top of the plenum box. Make certain that the six (6) inch (15.2 cm) diameter elbow is oriented in the same direction as the four (4) inch (10.2 cm) diameter elbow and both are oriented in the correct direction. Drill three (3) 1/8 inch (3.0 mm) diameter holes, 120° apart, through the six (6) inch (15.2 cm) diameter elbow into the plenum collar. Fasten with three (3) #8 sheet metal screws (supplied) (See Figure 10).





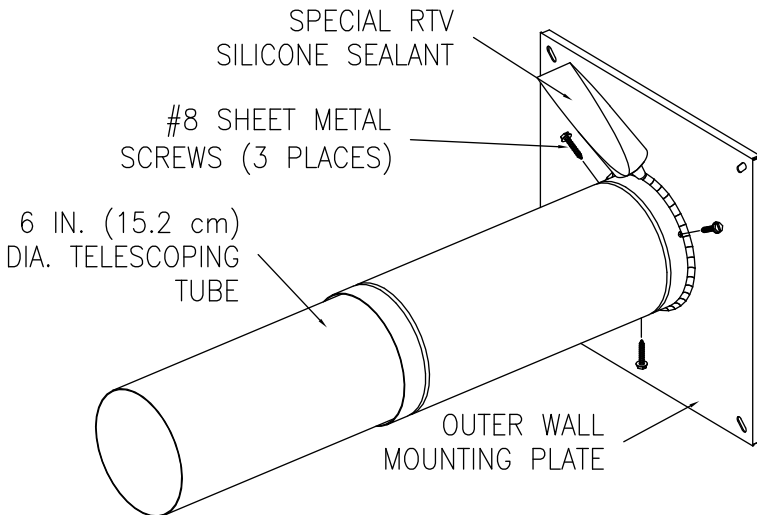
**Figure 6**

7. Extend the four (4) inch (10.2 cm) diameter telescopic tube to its maximum length and slide the backing plate over it. Place the large end of the four (4) inch (10.2 cm) diameter telescopic tube through the hole in the outside wall. Insert the smaller end of the four (4) inch (10.2 cm) diameter telescopic tube into the flared end of the four (4) inch (10.2 cm) diameter elbow, one (1) inch (2.5 cm) (or until seated). Drill three (3) 1/8 inch (3.0 mm) diameter holes, 120° apart, through the four (4) inch (10.2 cm) diameter elbow into the four (4) inch (10.2 cm) diameter telescopic tube. Fasten with three (3) #8 sheet metal screws (supplied). Adjust the overall length of the four (4) inch (10.2 cm) diameter telescopic tube so that 2-1/2 inches (6.4 cm) extends beyond the outside wall. Drill three (3) 1/8 inch (3.0 mm) diameter holes, 120° apart, through the four (4) inch (10.2) diameter telescopic tubes where the small and large sections overlap. Fasten with three (3) #8 sheet metal screws (supplied). Using the supplied special RTV silicone sealant, apply a sufficient amount to seal the joints (See Figure 6).



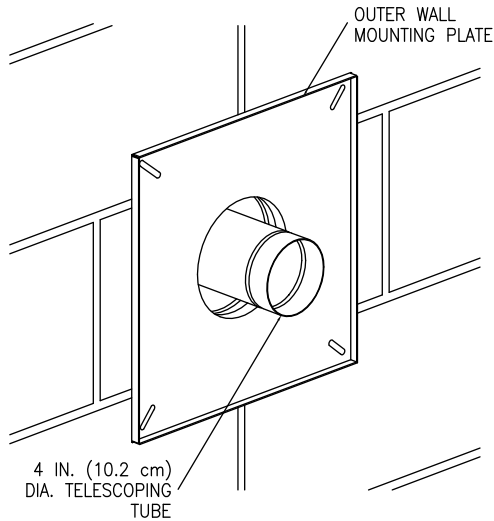
**Figure 7**

8. Extend the six (6) inch (15.2 cm) diameter telescopic tube to its maximum length. Place the large end of the six (6) inch (15.2 cm) diameter telescopic tube over the collar on the outer wall mounting plate. Drill three (3) 1/8 inch (3.2 mm) diameter holes, 120° apart, through the six (6) inch (15.2 cm) diameter telescopic tube into the collar on the outer wall mounting plate. Fasten with three (3) #8 sheet metal screws (supplied). Using the supplied special RTV silicone sealant, apply a sufficient amount to seal the joint (See Figure 7).



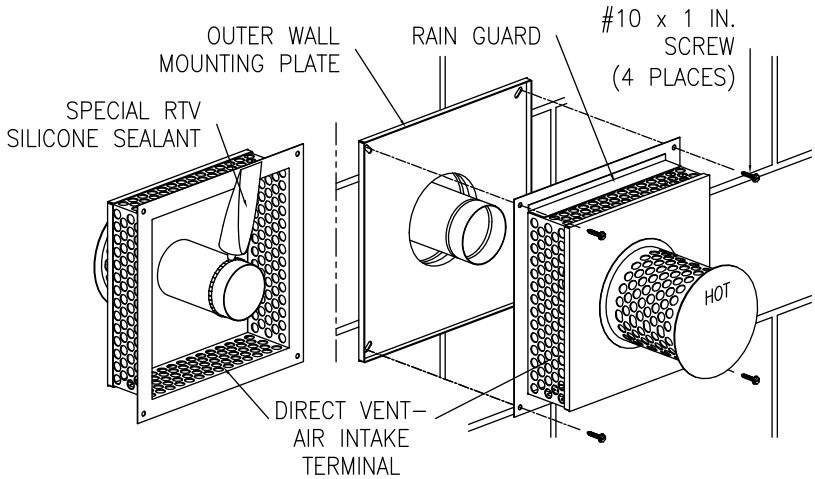
**Figure 8**

9. From outside the building, slide the six (6) inch (15.2 cm) diameter telescopic tube through the opening in the wall until the outer wall mounting plate is flush with the wall (See Figure 9).



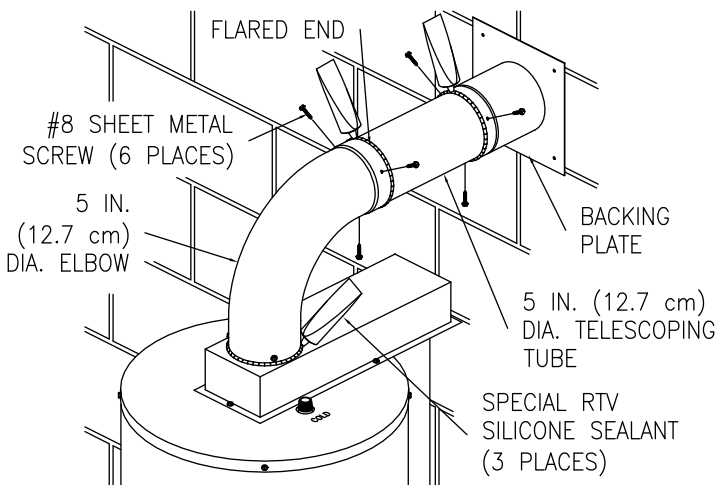
**Figure 9**

10. Using the supplied special RTV silicone sealant, apply a bead one (1) inch (2.5 cm) from the end of the four (4) inch (10.2 cm) diameter tube that is part of the vent-air intake terminal. Slide the direct vent-air intake terminal into the four (4) inch (10.2 cm) diameter telescopic tube that extends through the wall and position it so it is flush with the outer wall mounting plate. Make sure that the rain guard and the word "HOT" on the end of the direct vent-air intake terminal are oriented properly. Secure the direct vent-air intake terminal to the outer wall mounting plate and wall with four (4) #10 x 1 inch screws (supplied) (See Figure 10). Note: Certain construction of walls may require the use of different type of anchoring means than supplied. **DO NOT** modify the direct vent-air intake terminal or outer wall mounting plate.



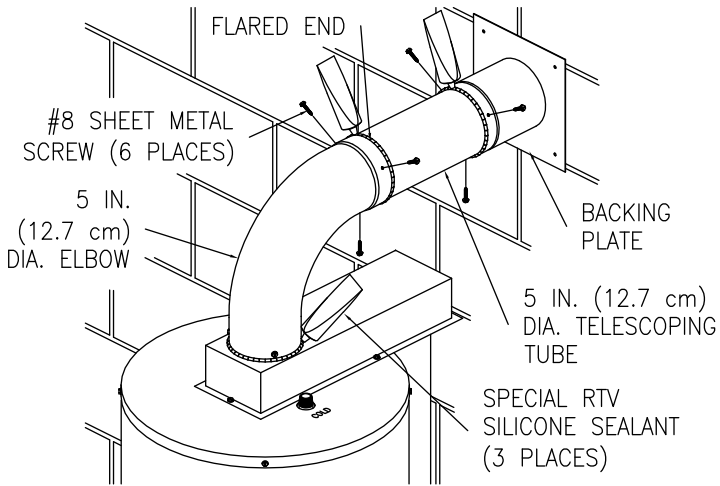
**Figure 10**

11. From inside the building, slide the backing plate over the six (6) inch (15.2 cm) diameter telescopic tube until it is flush with the wall. Adjust the length of the six (6) inch (15.2 cm) diameter telescopic tube and insert the end into the flared end of the six (6) inch (15.2 cm) diameter elbow one (1) inch (2.5 cm) (or until seated). Drill three (3) 1/8 inch (3.0 mm) diameter holes, 120° apart, through the six (6) inch (15.2 cm) diameter elbow into the six (6) inch (15.2 cm) diameter telescopic tube and through the tubes where the small and large sections overlap. Fasten with three (3) #8 sheet metal screws (supplied). Using the supplied special RTV silicone sealant, apply a sufficient amount to seal all joints (See Figure 11).



**Figure 11**

12. Mark the mounting screw hole locations for the backing plate. Rotate the backing plate in order to gain access to the markings. With a 3/16 (4.5 mm) inch diameter drill bit (not supplied), drill holes for the supplied wall anchors. Install the wall anchors and secure the backing plate to the wall with four (4) #10 x 1 inch screws (supplied) (See Figure 12). Note: Certain construction of walls may require the use of a different type of anchoring means than supplied.

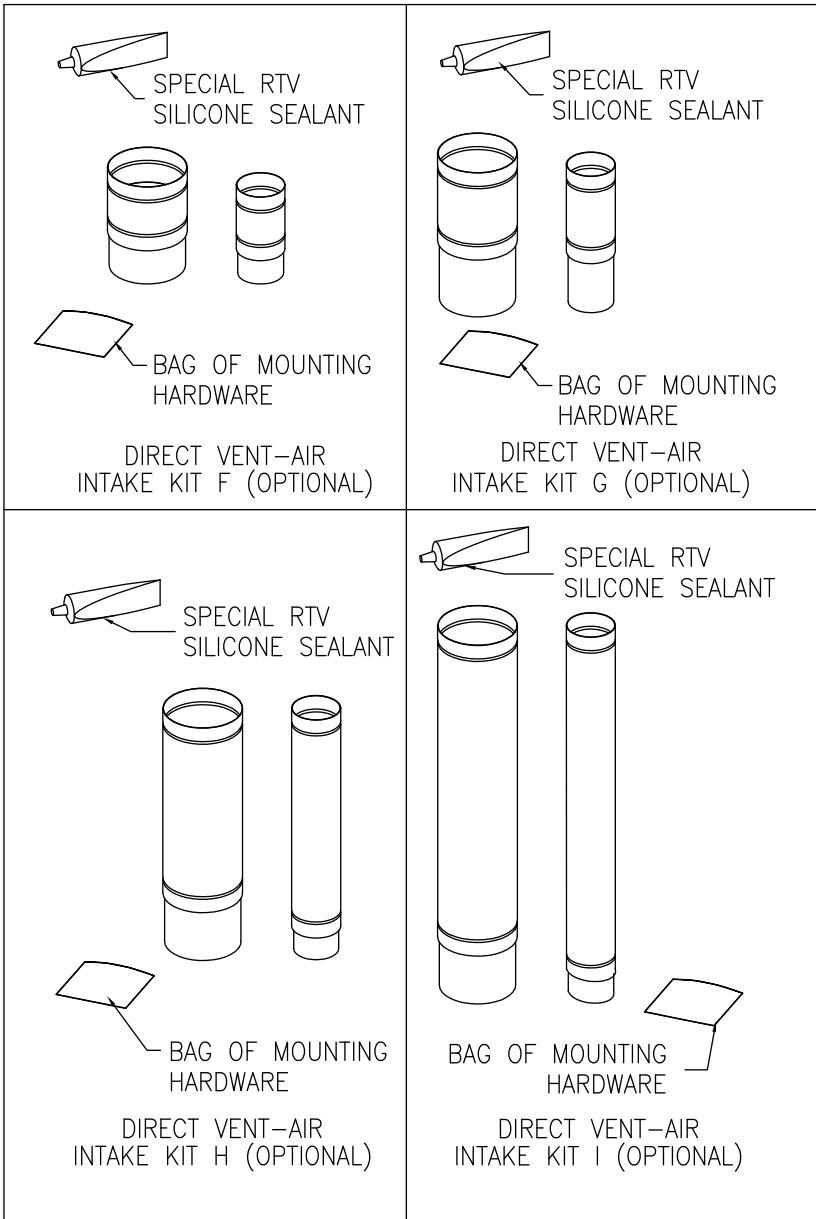


**Figure 12**

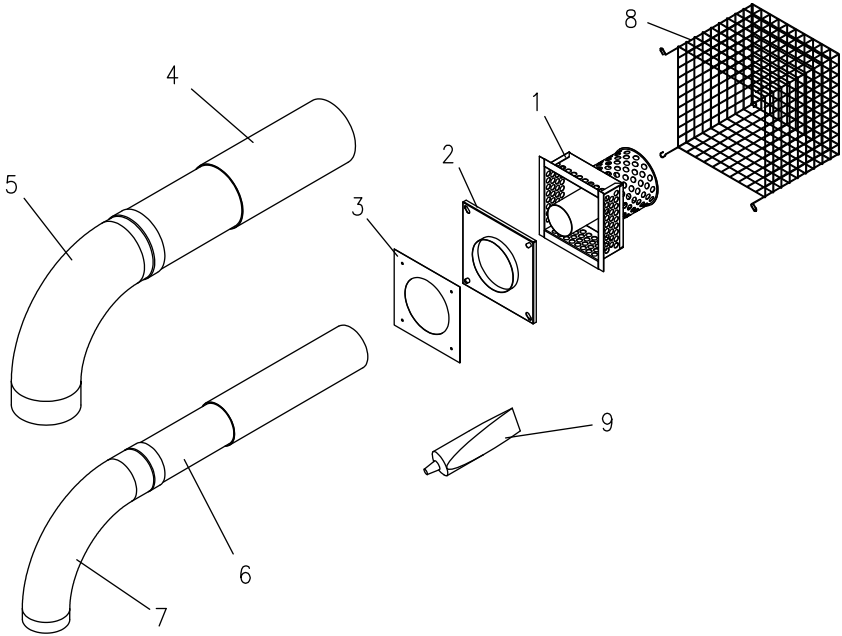
**IMPORTANT**

**When the installation is complete, visually inspect the air intake system to insure that all joints are completely sealed.**

# VENT-AIR INTAKE KITS



# DIRECT VENT WATER HEATER VENTING PARTS LISTS



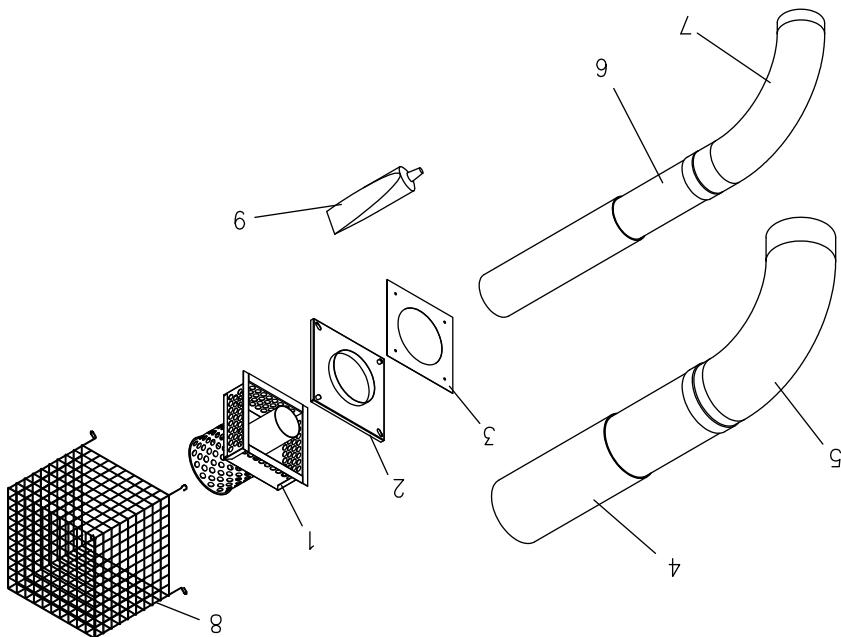
PART NAME & DESCRIPTION			
1.	Direct Vent-Air Intake Terminal	6.	Inner Telescopic Vent Tube
2.	Outer Wall Mounting Plate	7.	Inner Elbow
3.	Inner Wall Backing Plate	8.	Vent Terminal Guard (Optional not included)
4.	Outer Telescopic Air Intake Tube	9.	Special RTV silicone sealant
5.	Outer Elbow		

# NOTES



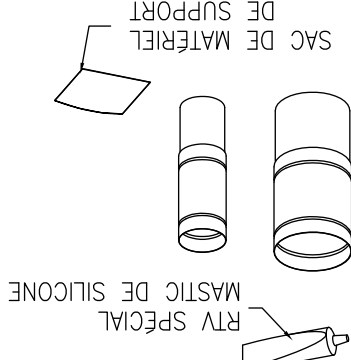
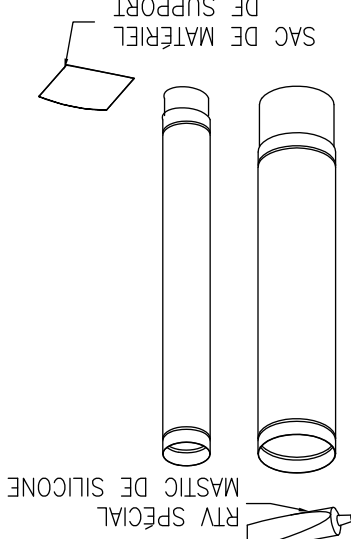
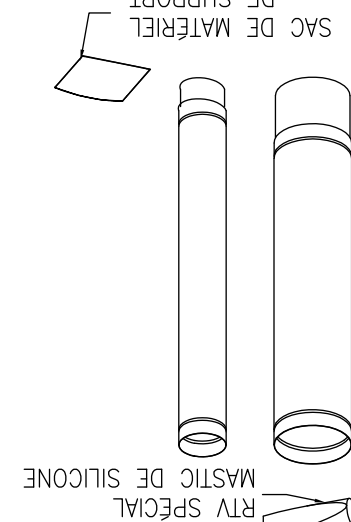
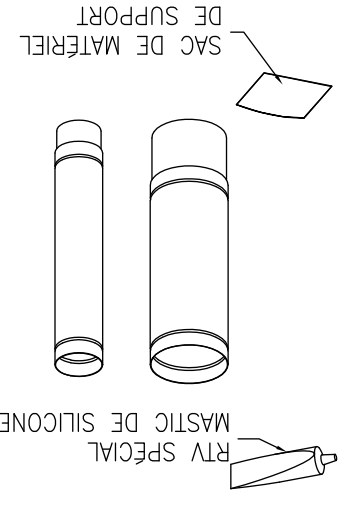


**LISTES DES PIÈCES DIRECTES DE MISE À L'AIR LIBRE DE CHAUFFE-EAU DE PASSAGE**



NOM ET DESCRIPTION DE PARTIE		
1.	Passage-Air	Borne directe de prise de
2.	Plat de support externe de mur	Coude intérieur de passage
3.	Plat intérieur de support de mur	Coude intérieur
4.	Tube télescopique externe	Mastic spécial de silicone de RTV
5.	Coude externe	

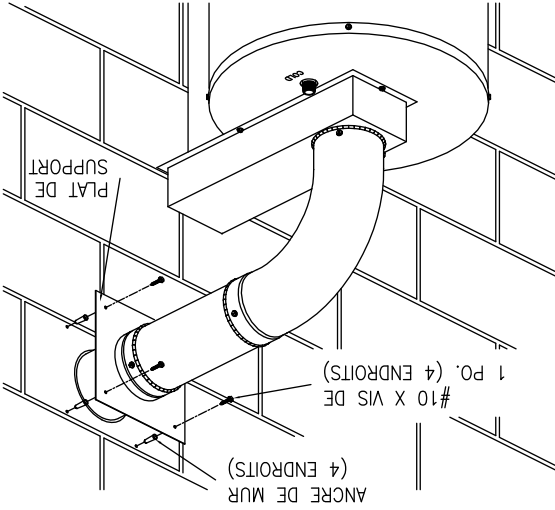
# KITS DE PRISE DE VENT-AIR

<p>                KIT DIRECT G DE PRISE DE VENT-AIR (FACULTATIF)              SAC DE MATÉRIEL DE SUPPORT              RTV SPÉCIAL MASTIC DE SILICONE         </p>	<p>                KIT DIRECT F DE PRISE DE VENT-AIR (FACULTATIF)              SAC DE MATÉRIEL DE SUPPORT              RTV SPÉCIAL MASTIC DE SILICONE         </p>
<p>                KIT DIRECT I DE PRISE DE VENT-AIR (FACULTATIF)              SAC DE MATÉRIEL DE SUPPORT              RTV SPÉCIAL MASTIC DE SILICONE         </p>	<p>                KIT DIRECT H DE PRISE DE VENT-AIR (FACULTATIF)              SAC DE MATÉRIEL DE SUPPORT              RTV SPÉCIAL MASTIC DE SILICONE         </p>

Quand l'installation est complète, inspectez visuellement le système d'entrée d'air pour assurer que tous les joints sont complètement scellés.

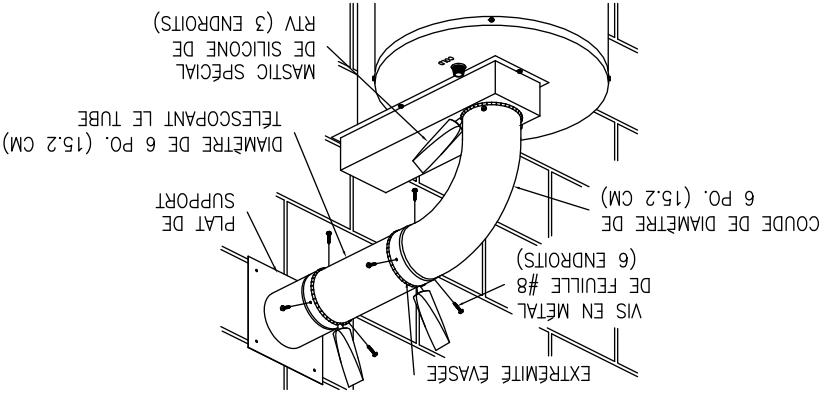
## IMPORTANT

Le schéma 12



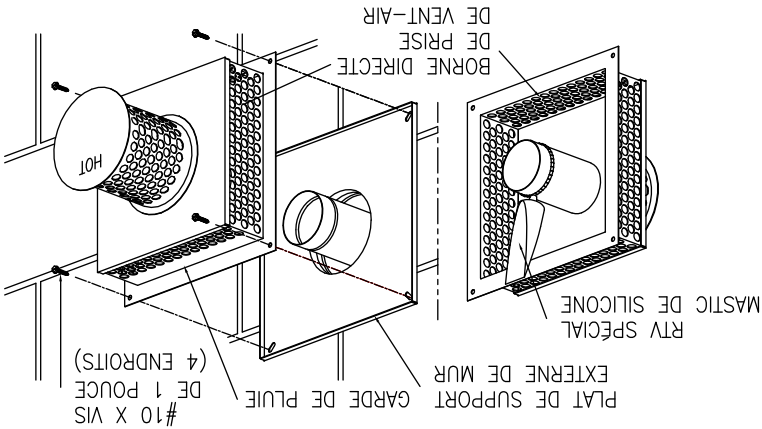
12. Marquez les endroits de trou de vis de support pour le plat de support. Tournez le plat de support afin d'accéder aux inscriptions. De po. de diamètre de 3/16 (4,5 mm) le peu de forêt (n'étant pas fourni), forez les trous pour les ancrés fournies de mur. Installez les ancrés de mur et fixez le plat de support au mur avec quatre (4) #10 X des vis de 1 pouce (fournies) (voir le schéma 12). Note: Certains construction des murs peut exiger l'utilisation d'un type différent d'ancrer des moyens que fournis.

## Le schéma 11



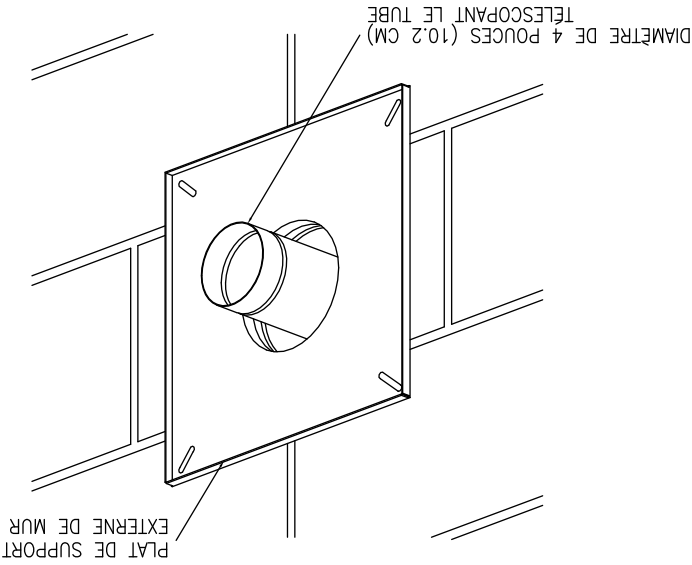
11. De l'intérieur du bâtiment, glissez le plat de support au-dessus (6) du tube télescopique de diamètre de pouce six (15.2 cm) jusqu'à ce qu'il soit affleurant du mur. Ajustez la longueur (6) du tube télescopique de diamètre de pouce six (15.2 cm) et insérez l'extrémité dans la fin évasée de six (6) po du coude un de (15.2 cm) et insérez l'extrémité dans la fin évasée de six (3.0 mm), 1200 à part, par (6) le coude de diamètre de pouce six (15.2 cm) dans (6) le tube télescopique de diamètre de pouce six (15.2 cm) et par les tubes ou les petites et grandes sections recouvrent. Attachez avec trois (3) vis en métal de feuille #8 (fournies). En utilisant le mastic spécial fourni de silicone de RTV, appliquez une quantité suffisante pour sceller tous les joints (voir le schéma 11).

## Le schéma 10



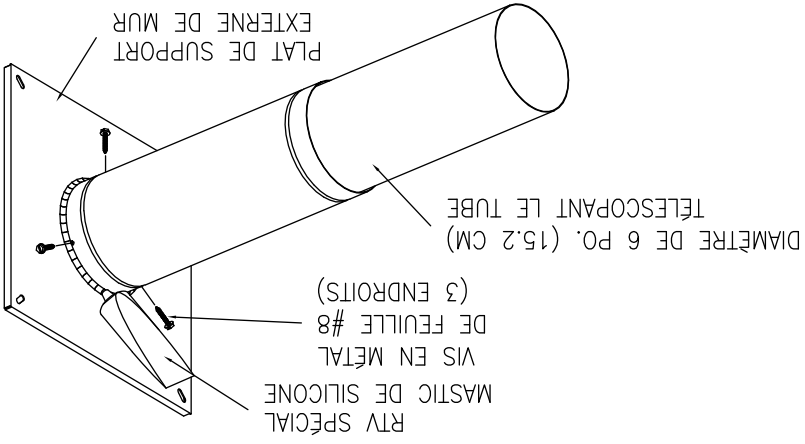
10. En utilisant le mastic spécial fourni de silicone de RTV, appliquez ponce de diamètre de la perte une (1) (2.5 cm) à partir de l'extrémité (4) du tube de prise de passage-air. Glissez la borne directe de prise de passage-air dans (4) le tube télescopique de diamètre de ponce quatre (10.2 cm) qui avance à travers le mur et placez-la ainsi elle est affleurante du plat de support externe de mur. Assurez-vous que la garde de pluie et le mot « CHAUDS » sur l'extrémité de la borne directe de prise de passage-air sont orientés correctement. Fixez la borne directe de prise de passage-air au plat et au mur de support externes de mur avec quatre (4) #10 X des vis de 1 pouce (fournies) (voir le schéma 10). Note: Certains construction des murs peut exiger l'utilisation du type différent d'ancrer des moyens que fournis. Ne modifiez pas la borne directe de prise de passage-air ou le plat de support externe de mur.

### Le schéma 9



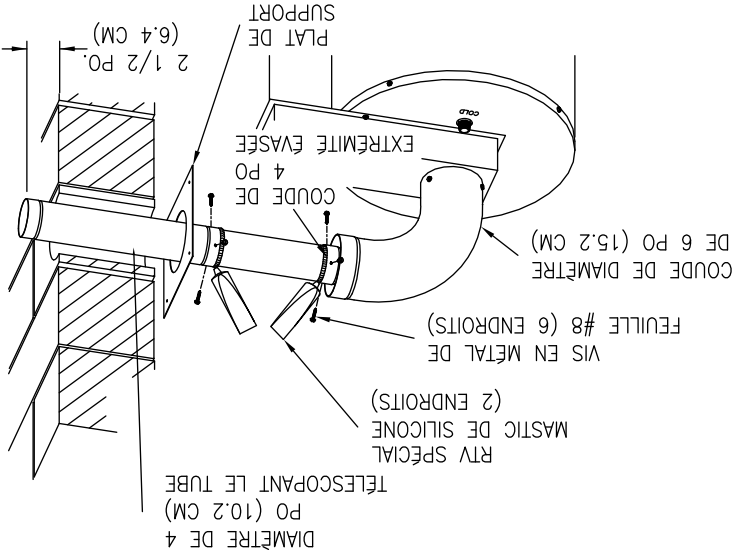
9. De l'extérieur du bâtiment, glissez (6) le tube télescopique de diamètre de ponce six (15.2 cm) par l'ouverture dans le mur jusqu'à ce que le plat de support externe de mur soit affleurant du mur (voir le schéma 9).

## Le schéma 8



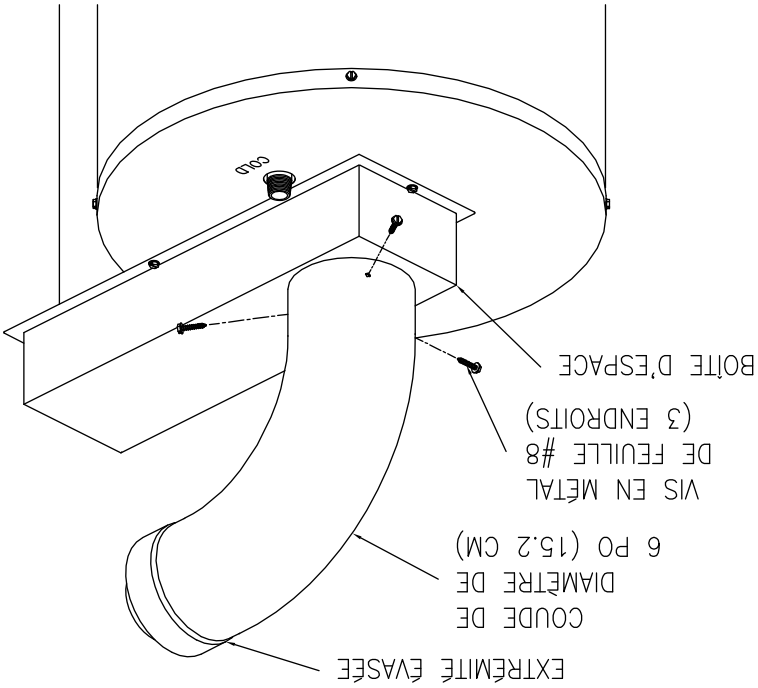
8. Prolongez (6) le tube télescopique de diamètre de pouce six (15.2 cm) à sa longueur maximum. Placez la grande extrémité (6) du tube télescopique de diamètre de pouce six (15.2 cm) au-dessus du collier sur le plat de support externe de mur. Forez trois (3) trous de diamètre de 1/8 pouce (3.2 mm), 1200 à part, par (6) le tube télescopique de diamètre de pouce six (15.2 cm) dans le collier du plat de support externe de mur. Attachez avec trois (3) vis en métal de feuille #8 (fournies). En utilisant le mastic spécial fourni de silicone de RTV, appliquez une quantité suffisante pour sceller le joint (voir le schéma 7).

## Le schéma 7



7. Prolongez (4) le tube télescopique de diamètre de pouce quatre (10.2 cm) à sa longueur maximum et glissez le plat de support au-dessus de lui. Placez la grande extrémité (4) du tube télescopique de diamètre de pouce quatre (10.2 cm) par le trou dans le mur extérieur. Insérez l'extrémité plus petite (4) du tube télescopique de po. de diamètre de (10.2 cm) dans l'extrémité évasée des quatre (4) coudes de diamètre de pouce (10.2 cm), un (1) pouce (2.5 cm) (ou jusqu'à assis). Forez trois (3) trous de diamètre de 1/8 pouce (3.0 mm), 1200 à part, par (4) le coude de diamètre de pouce quatre (10.2 cm) dans (4) le tube télescopique de diamètre de pouce quatre (10.2 cm). Attachez avec trois (3) vis en métal #8 (fournies). Ajustez la longueur hors-tout (4) du tube télescopique de diamètre de pouce quatre (10.2 cm) de sorte que 2-1/2 po (6.4 cm) se prolonge au delà du mur extérieur. Forez trois (3) trous de diamètre de 1/8 pouce (3.0 mm), 1200 à part, par les quatre (4) 10.2 tubes télescopiques de diamètre de pouce (où les petites et grandes sections recouvrent. Attachez avec trois (3) vis en métal de feuille #8 (fournies). En utilisant le mastic spécial fourni de silicone de RTV, appliquez une quantité suffisante pour sceller les joints (voir le schéma 7).

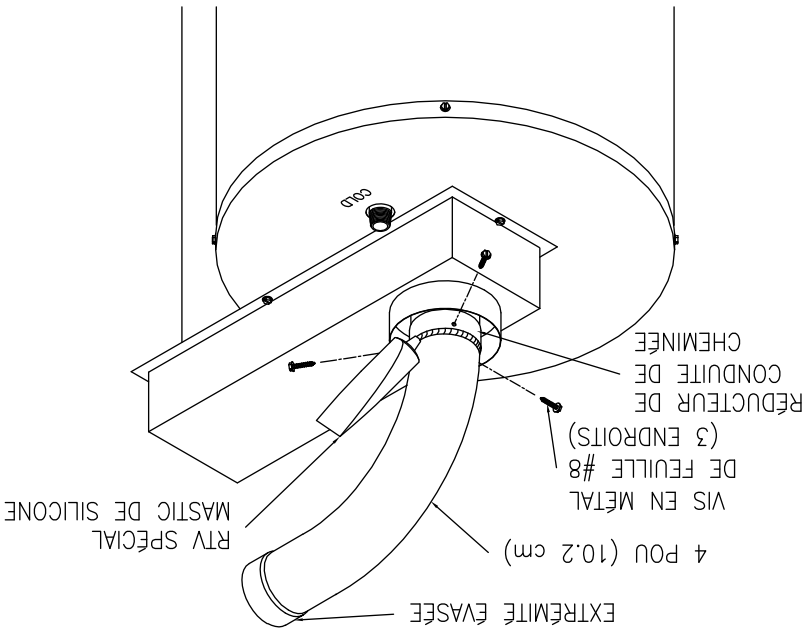
## Le schéma 6





- 6. Placez l'extrémité droite (6) du coude de diamètre de pouce six (15.2 cm) au-dessus (4) colliers de coude et d'espace de diamètre de pouce des quatre (10.2 cm) jusqu'à assis sur la boîte d'espace. Assurez-vous que (6) le coude de diamètre de pouce six (15.2 cm) est orienté dans la même direction que (4) le coude et tous les deux de diamètre de pouce quatre (10.2 cm) sont orientés dans la direction correcte. Forez trois (3) trous de diamètre de 1/8 pouce (3.0 mm), 1200 à part, par (6) le coude de diamètre de pouce six (15.2 cm) dans le collier d'espace. Attachez avec trois (3) vis en métal de feuille #8 (fournies) (voir le schéma 6).

### Le schéma 5

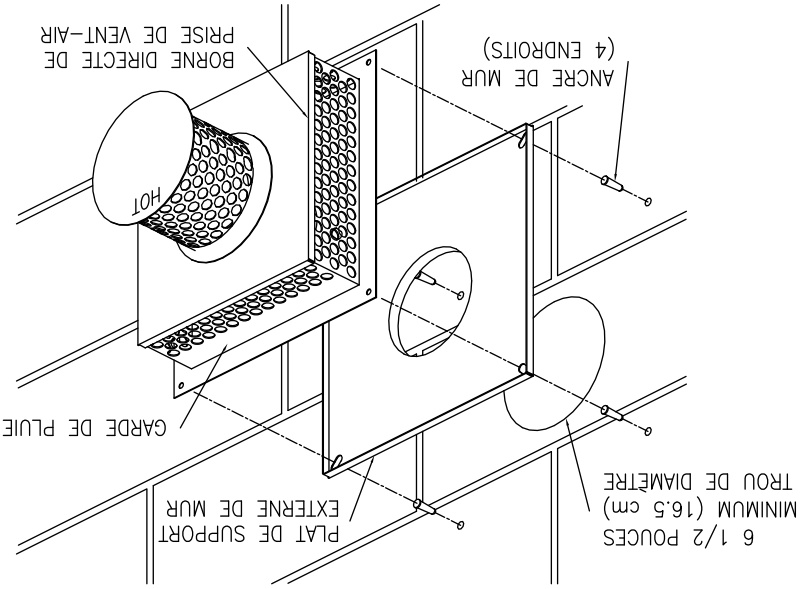


- 5. Insérez l'extrémité droite (4) du coude de diamètre de pouce quatre (10.2 cm) dans le réducteur de conduite de cheminée jusqu'à ce que fermement assis et orienté dans la direction correcte. Le peu de forêt de diamètre de 1/8 pouce (3.0 mm) (n'étant pas fourni), forez trois (3) trous, 1200 à part, par le réducteur de conduite de cheminée dans (4) le coude de diamètre de pouce quatre (10.2 cm). Attachez avec trois (3) vis en métal de feuille #8 (fournies). En utilisant le mastic spécial fourni de silicone de RTV, appliquez une quantité suffisante pour sceller le joint (voir le schéma 5).

**IMPORTANT**

Les instructions suivantes détaillent l'installation du kit horizontal standard de prise de passage-air.

## Le schéma 4



1. Mesurez la taille verticale « Y » requise dans votre installation. (Voir le schéma 3). Mettez en référence le Tableau approprié A pour déterminer le nombre de kits de prise de passage-air requis dans votre installation.
2. Mesurez la longueur horizontale « X » requise dans votre installation (voir le schéma 3). Mettez en référence le Tableau A pour déterminer le nombre de kits de prise de passage-air requis dans votre installation.
3. Coupez un trou de dégagement minimum de diamètre de pouce 6-1/2 (16.5 cm) dans le mur au point où les tubes de prise de passage-air traverseront le mur extérieur et se relieront à la borne directe de prise de passage-air (Voir le schéma 4).
4. De l'extérieur du bâtiment, placez le plat externe de bâti de mur et dirigez la borne de prise de passage-air sur le centre de l'ouverture. Marquez les endroits de trou de vis de support. Le peu de forêt de diamètre de 3/16 pouce (4.5 mm) (n'étant pas fourni), forez les trous pour les ancrés de mur (fournies). Installez les ancrés de mur mais n'apposez pas le plat externe de bâti de mur et la borne directe de prise de passage-air au mur actuellement (voir le schéma 4). Note: Certaines constructions des murs peut exiger l'utilisation d'un type différent de mur ancrant des moyens que fournis. Ne modifiez pas la borne directe de prise de passage-air ou le plat externe de bâti de mur.

**⚠ AVERTISSEMENT**

Le système de prise de passage-air doit être correctement installé. Le manque d'installer correctement le système de prise de passage-air a pu avoir comme conséquence des dégâts matériels, des blessures ou la mort.  
N'installez aucun composant endommagé de système de prise de passage-air. Entrez en contact avec le fabricant du chauffe-eau pour des pièces de rechange.

**IMPORTANT**

Quand les instructions suivantes indiquent, pour sceller un joint de prise de passage-air, mastic de silicone du bleu 587 RTV de Loctite d'utilisation seulement ultra. Un tube de mastic de silicone du bleu 587 RTV de Loctite ultra est fourni avec chaque kit facultatif de prise de passage-air. Assurez-vous que tous les joints sont complètement scellés.  
Quand le forage des trous pilotes pour le métal de feuille #8 visse par les six (6) composants de diamètre de pouce (15,2 cm), faites attention à ne pas forer dans les quatre (4) composants intérieurs de diamètre de pouce (10,2 cm).

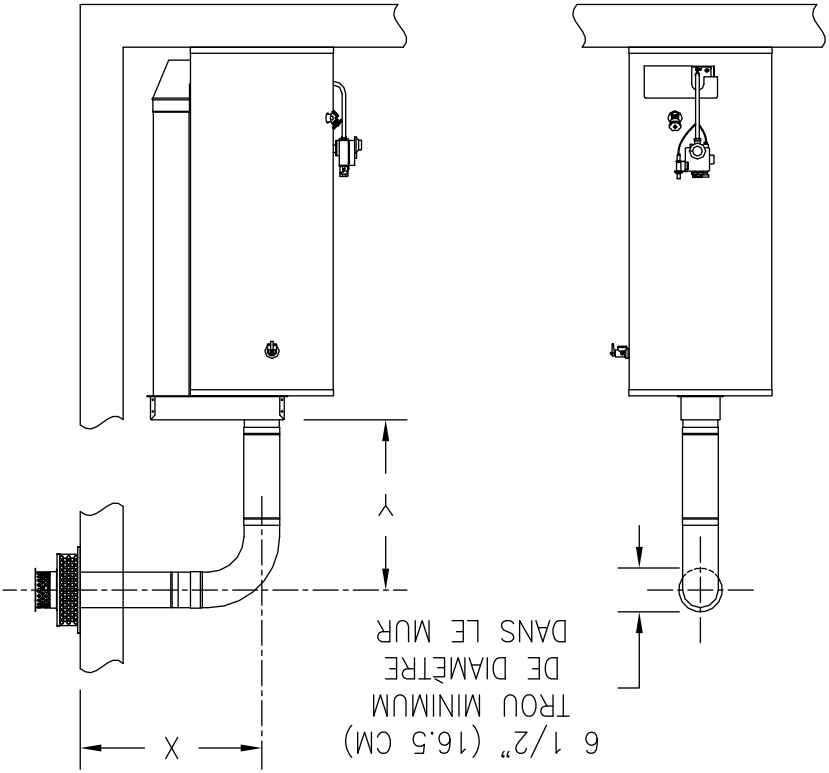
**⚠ AVERTISSEMENT**

La borne de prise de passage-air doit être installée par un mur d'outils dans une position horizontale. Ce chauffe-eau direct de passage n'est pas conçu pour la mise à l'air libre verticale de toit.  
Outils requis pour l'installation de prise de Passage-Air

Les outils minimum suivants sont exigés pour installer correctement le système de prise de passage-air. Note: La construction de mur déterminera l'utilisation d'outil.

- Mesure de bande
- Foret
- peu de forêt de diamètre de 3/16 pouce (4.5 mm)
- peu de forêt de 1/8 po. de diamètre (3.0 mm)
- Feu de forêt de maçonnerie (pour le bloc versé et la construction en béton et en brique) (dépendantes de la construction de mur)
- Burin (pour le bloc versé et la construction en béton et en brique)
- Marteau (pour le bloc versé et la construction en béton et en brique)
- clés à douille de 1/4 et 5/16 pouce (préférées) ou tournevis principal encoché
- Tournevis phillips

**Le schéma 3**



# ⚠ Avertissement

Le système de prise de passage-air doit être correctement installé. Le manque d'installer correctement le système de passage-air a pu avoir comme conséquence des dégâts matériels, des blessures ou la mort. N'installez aucun composant endommagé de système de prise de passage-air. Entrez en contact avec le fabricant du chauffe-eau pour des pièces de rechange.

## **LONGUEURS HORIZONTALES ET VERTICALES DE PRISE DE VENT-AIR**

Les kits facultatifs de prise de passage-air sont disponibles que puisse prolonger la longueur horizontale et/ou la taille verticale du système de prise de passage-air. Ajustez les listes d'A les diverses configurations de système verticales et horizontales de prise d'air-air de passage.

Les composants suivants sont trouvés dans le kit standard d'entrée de passage et d'air, (kit H), Ce kit, comme tous les kits facultatifs d'entrée de passage et d'air doit être commandé séparément du fabricant monté de la plaque de contrôle.

- 4" passage Tube\*
- 6" tube d'entrée d'air\*
- Borne de passage
- Limite intérieure de mur. Bride de de
- support
- Limite externe de mur. Bride de de
- support

- Matériel de borne de passage
- Mastic de silicone de RTV
- 4" coude de passage
- 6" coude d'entrée d'air

\*Les télescopes d'entrée de passage et d'air de 13 3/4" à 23 11/16"

### **Ajustez A**

Horizontal « X »

16 1/4	17 3/16	20 11/16	18	25 1/4	35 3/16	57 7/8	37 3/4	61 5/16	107 5/16
ordre	ordre	ordre	ordre	aucun add'l	req'd de kit	ordre	ordre	ordre	ordre
kit F	kit F	kit G	kit G	req'd de kit	kit H	kit H	kit H	kit I	kit I
16 5/16	17 1/4	17 1/4	17 1/4	16 5/16	17 1/4	17 1/4	16 5/16	17 1/4	17 1/4
*ordre	kit F (2)	kit G & F	kit G & F	ordre	ordre	ordre	ordre	ordre	ordre
ordre	ordre	ordre	ordre	ordre	ordre	ordre	ordre	ordre	ordre
18 1/16	20 3/4	20 3/4	20 3/4	18 1/16	20 3/4	20 3/4	18 1/16	20 3/4	20 3/4
ordre	ordre	ordre	ordre	ordre	ordre	ordre	ordre	ordre	ordre
kit F & G	kit F & G	kit G (2)	kit G	kit G & H	kit G & H	kit G & H	kit G & I	kit G & I	kit G & I
25 5/16	25 5/16	25 5/16	25 5/16	25 5/16	25 5/16	25 5/16	25 5/16	25 5/16	25 5/16
ordre	ordre	ordre	ordre	ordre	ordre	ordre	ordre	ordre	ordre
kit F	kit F	kit G	kit G	kit H	kit H	kit H	kit I	kit I	kit I
35 1/4	35 1/4	35 1/4	35 1/4	35 1/4	35 1/4	35 1/4	35 1/4	35 1/4	35 1/4
ordre	ordre	ordre	ordre	ordre	ordre	ordre	ordre	ordre	ordre
kit H & F	kit H & F	kit H & G	kit H & G	kit H (2)	kit H (2)	kit H (2)	kit H & I	kit H & I	kit H & I
38 1/16	38 1/16	38 1/16	38 1/16	38 1/16	38 1/16	38 1/16	38 1/16	38 1/16	38 1/16
ordre	ordre	ordre	ordre	ordre	ordre	ordre	ordre	ordre	ordre
57 15/16	57 15/16	57 15/16	57 15/16	57 15/16	57 15/16	57 15/16	57 15/16	57 15/16	57 15/16
ordre	ordre	ordre	ordre	ordre	ordre	ordre	ordre	ordre	ordre
kit I & F	kit I & F	kit I & G	kit I & G	kit I & H	kit I & H	kit I & H	kit I (2)	kit I (2)	kit I (2)
61 3/8	61 3/8	61 3/8	61 3/8	61 3/8	61 3/8	61 3/8	61 3/8	61 3/8	61 3/8
ordre	ordre	ordre	ordre	ordre	ordre	ordre	ordre	ordre	ordre
107 3/8	107 3/8	107 3/8	107 3/8	107 3/8	107 3/8	107 3/8	107 3/8	107 3/8	107 3/8

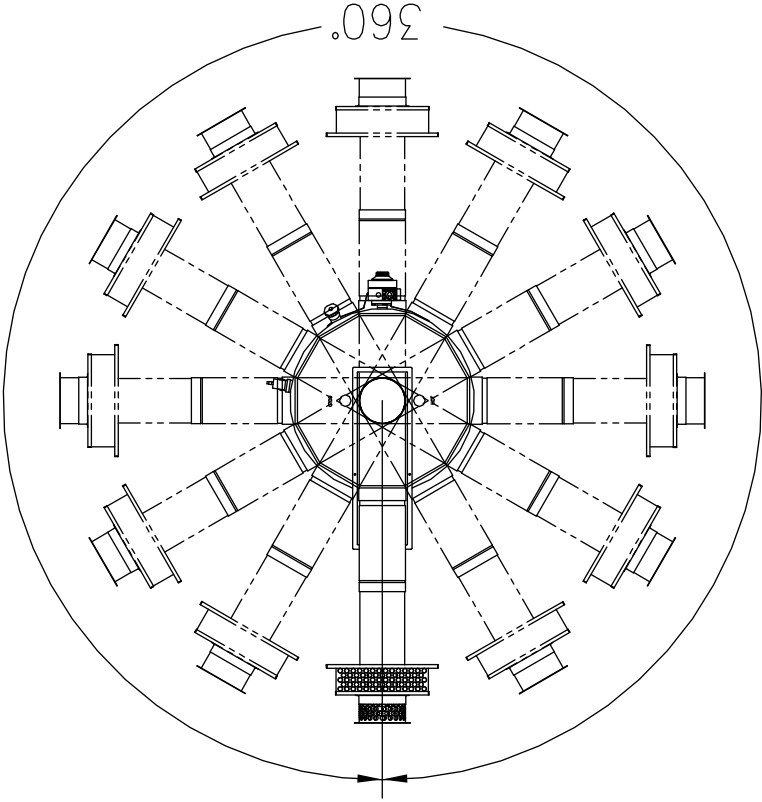
\* (2) = Ordre deux des kits référencés.

\* (3) = Ordre trois des kits référencés.

Le texte audacieux au-dessus de l'exposition quels kits sont nécessaires en plus des tubes standard d'entrée de passage et d'air. Si les tubes standard d'entrée de passage et d'air ne sont pas utilisés dans le circuit de mise à l'air libre (ceux qui n'ont pas le texte audacieux) elles peuvent être jetés ou sauvés.

Note: Maintenez les dégagements appropriés pour l'installation, tuyauterie, opération et service.

## Le schéma 2.

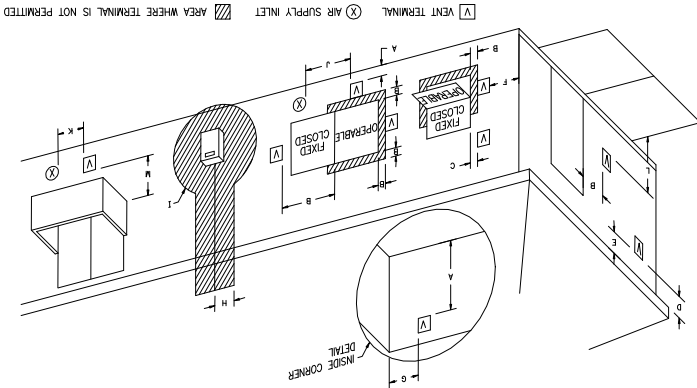


Les tubes coaxiaux de prise de passage-air de ce chauffe-eau peuvent être installés dans n'importe quelle configuration 360° tant que les dégagements appropriés pour l'installation, la tuyauterie, l'opération et entretenir sont maintenus. (Voir le schéma 2).

**IMPORTANT - référez-vous à la liste des pièces dans la fin de ce manuel et devenez au courant des pièces appelées dans le kit.**

<sup>1</sup> selon les codes courants de l'installation CAN/CGA-B149.  
<sup>2</sup> selon le code courant de gaz de carburant de national de la norme ANSI Z223.1- (la dernière édition) /NFPA 54.  
 † Le passage du A ne se terminera pas directement au-dessus d'un trottoir ou d'une allée pavée qui est située entre deux logements unifamiliaux et sert les deux logements.  
 ‡ Autorisé seulement si une véranda, un porche, une plate-forme ou un balcon est entièrement ouvert sur deux côtés au minimum sous le plancher.  
 \*a) Valeur de dégagement minimum du a déterminée par l'essai selon la section 2.20.  
 \*b) « dégagement selon des codes locaux d'installation et les conditions du fournisseur de gaz ».

## Le schéma 1 Dégagements directs de borne de passage



A	Le dégagement au-dessus du degré, la véranda, la porche, le pont ou le balcon	12 po (30 cm)	12 po (30 cm)	LES États-Unis Canada
B	Le dégagement à la vue ou à la porte qui peut être ouvert	12 po (30 cm)	9 po (23 cm) pour les appareils > 10,000 Btuh (3 kW) and ≤ 50,000 Btuh (15 kW), 12 po (30 cm) pour les appareils > 50,000 Btuh (15 kW)	
C	Le dégagement à la vue d'une façon permanente fermée	b*	b*	
D	Le dégagement vertical au soffite ventilée à localisé au-dessus du terminal dans une distance horizontale de 2 pieds (61 cm) de la ligne de centre du terminal	12 po (30 cm) *a	12 po (30 cm) *a	
E	Le dégagement à unventilié le soffite	12 po (30 cm) *a	12 po (30 cm) *a	
F	Le dégagement à hors du coin	b*	b*	
G	Le dégagement à dans le coin	b*	b*	
H	Le dégagement à chaque côté de ligne de centre s'est étendu au-dessus de l'assemblée mètre/régulateur	3 pieds (91 cm) dans une hauteur de 15 pieds (4,6 m) au-dessus de l'assemblée mètre/régulateur	36 pouces (91 cm)	b*
I	Le dégagement pour entretenir la sortie de conduit régulateur ou le conduit de réservoir de pétrole	36 pouces (91 cm)	b*	
J	Le dégagement à l'arrivée de provision d'air non-mécanique au bâtiment ou l'arrivée d'air de combustion à aucun autre appareil	12 pouces (30 cm)	9 po (23 cm) pour les appareils < 10,000 Btuh (3 kW) and ≤ 50,000 Btuh (15 kW), 12 po (30 cm) pour les appareils > 50,000 Btuh (15 kW)	
K	Le dégagement à une arrivée de provision d'air mécanique	6 pieds (1,83 m)	3 pieds (91 cm) au-dessus de si dans 10 pieds horizontalement	b*
L	Le dégagement au-dessus du trottoir pavé ou au-dessus de l'entrée de garage pavée à localisé sur la propriété publique	7 pieds (2,13 m)†	b*	
M	Le dégagement sous une véranda, une porche, un pont, ou un balcon	12 pouces (30 cm) ‡	b*	

# INSTRUCTIONS D'INSTALLATION POUR LE SOLIDE NUMÉRO DE LA PIÈCE DE KIT DE PASSAGE

# 239-48914-00

# 239-51286-00

## ⚠️ AVERTISSEMENT

Le système de prise de passage-air doit être correctement installé. Le manque d'installer correctement le système de prise de passage-air a pu avoir comme conséquence des dégâts matériels, des blessures ou la mort. N'installez aucun composant endommagé de système de prise de passage-air. Entrez en contact avec le fabricant du chauffe-eau pour des pièces de rechange.

Ce kit de passage est conçu pour apporter tout l'air pour la combustion de l'extérieur et exhalez tous produits de combustion à l'extérieur une fois correctement installé. Ce kit de passage devrait seulement être employé avec les chauffe-eau directs de passage qui ont été conçus pour employer ce kit de passage. Référez-vous à l'étiquette sur le chauffe-eau pour déterminer si ce kit est le kit correct pour le chauffe-eau que vous installez. Consultez le fournisseur du chauffe-eau si vous n'êtes pas certain que ce soit le kit correct de passage. Référez-vous à l'information dans ces instructions et les instructions équipées de chauffe-eau en déterminant l'endroit de la borne de passage et du chauffe-eau.

- Le circuit de mise à l'air libre doit se terminer de sorte que des dégagements appropriés soient maintenus comme cité dans les codes locaux ou la dernière édition du code national de gaz de carburant, la norme ANSI Z223.1 comme suit:
1. Ne terminez pas près des passages de soffit ou l'espace de rampe ment ou tout autre secteur où le condensat ou la vapeur pourrait créer un ennui ou mettre en danger ou causer des dégâts matériels.
  2. Ne terminez pas la borne de passage d'échappement où le condensat ou la vapeur pourrait endommager ou pourrait être nuisible au fonctionnement des régulateurs, des soupapes de sécurité, ou de tout autre équipement.
  3. Ne terminez pas la borne de passage d'échappement au-dessus du secteur public ou des caillibotis où le condensat ou la vapeur peut causer l'ennui ou le risque.
  4. Le passage terminera 12 po au minimum au-dessus des chutes de neige prévues de niveau pour empêcher le colmatage de l'arrêt de passage.

Des pipes de passage servant les appareils directs de passage sont classifiées par des codes de bâtiment en tant que « connecteurs d'évent ». Des dégagements exigés avec les matériaux combustibles doivent être fournis selon l'information en ce manuel sous l'ENDROIT DU CHAUFFE-EAU et DES DÉGAGEMENTS, et avec le code national de gaz de carburant et le code local.