



Fire Your Imagination

Stockton 5

Conventional Flue Coal Effect Stove

With Upgradeable Control Valve



Instructions for Use, Installation & Servicing

For use in GB & IE (Great Britain & Republic of Ireland).

IMPORTANT

THE OUTER CASING, FRONT AND GLASS PANEL BECOME EXTREMELY HOT DURING OPERATION AND WILL RESULT IN SERIOUS INJURY AND BURNS IF TOUCHED. IT IS THEREFORE RECOMMENDED THAT A FIREGUARD COMPLYING WITH BS 8423:2002 IS USED IN THE PRESENCE OF YOUNG CHILDREN, THE ELDERLY OR INFIRM.

This product contains a Heat resistant glass panel. This panel should be checked during Installation and at each servicing interval. If any damage is observed on the front face of the glass panel (scratches, scores, cracks or other surface defects), the glass panel must be replaced and the appliance must not be used until a replacement is installed. Under no circumstances should the appliance be used if any damage is observed, the glass panel is removed or broken.

These Instructions must be left with the appliance for future reference and for consultation when servicing the appliance. Please make the customer aware of the correct operation of the appliance before leaving these instructions with them.

The commissioning sheet found on Page 3 of this Instruction manual must be completed by the Installer prior to leaving the premises.

Contents

Stockton 5 - Conventional Flue Coal Effect

Covering the following models:

| Gas Type | Nat Gas | LPG |
|----------|----------|-----------|
| | 8575MCUC | P8575MCUC |

Appliance Commissioning Checklist3

User Instructions4

Installation Instructions8

Technical Specifications 8

Site Requirements..... 10

Installation 12

Commissioning 16

Servicing Instructions.....17

Fault Finding..... 17

How to Replace Parts 19

Basic Spare Parts List.....23

Service Records24



To receive your Extended Warranty your Gazco appliance must have been purchased from our Expert Retailer Network and registered within one month of purchase or installation. Please note that all warranties are effective from the date of purchase. Any Gazco product purchased outside of our Extended Retailer Network, or not registered within the stated time will carry a standard 12 month warranty.

It is a condition of the Extended Warranty that the installation complies with the relevant Building Regulations and is carried out by a suitably trained and qualified individual (GasSafe in the UK or equivalent in other countries) with the certificate of installation and the Commissioning Report on Page 3 completed and retained by the end user.

Full terms and conditions are detailed in the Warranty Statement on the Gazco website www.gazco.com. In the event of any conflict of information the wording on the website shall prevail.

Important Note: Should any problems be experienced with your product, claims must first be submitted to the Expert Retailer where the appliance was purchased from who will offer immediate assistance or contact Gazco on your behalf.



It is a requirement of the Building Regulations 2010 that the installation of this appliance is notified to the Local Authority. It is the responsibility of the GasSafe registered installer to carry out this notification to the Local Authority via the GasSafe register Competent Persons Scheme in England and Wales (different rules apply in Scotland and Northern Ireland).

When the installation has been notified, GasSafe will send a Building Regulations Compliance Certificate to you containing details of the work completed. Please ensure that the person responsible for the installation of this appliance completes this notification and records it in the Appliance Commissioning Checklist on page 3.

IT IS YOUR RESPONSIBILITY TO COMPLY WITH THE BUILDING REGULATIONS AND BE ABLE TO PRODUCE THIS CERTIFICATE SHOULD IT BE REQUIRED IN THE FUTURE.

Appliance Commissioning Checklist

To assist us in any guarantee claim please complete the following information:-

IMPORTANT NOTICE

Explain the operation of the appliance to the end user, hand the completed instructions to them for safe keeping, as the information will be required when making any guaranteed claims.

| FLUE CHECK | PASS | FAIL | |
|--|--|------|----|
| 1. Flue Is correct for appliance | | | |
| 2. Flue flow Test | | | |
| 3. Spillage Test | | | |
| GAS CHECK | | | |
| 1. Gas soundness & let by test | | | |
| 2. Standing gas pressure | mb | | |
| 3. Appliance working pressure (on High Setting) NB All other gas appliances must be operating on full | mb | | |
| 4. Gas rate | m ³ /h | | |
| 5. Does Ventilation meet appliance requirements | | | |
| 7. Have controls been upgraded (Upgradeable models only) | 8455 Standard | YES | NO |
| | 8456 Programmable Thermostatic and Timer | YES | NO |
| SAFETY CHECK | | | |
| 1. Glass checked to ensure no damage, scratches, scores or cracks. | | | |
| 2. Door secured correctly and screw replaced | | | |
| BUILDING CONTROL NOTIFICATION | YES | NO | |
| 1. Installer notified GasSafe/Local Authority of installation via Competent Persons Scheme? | | | |

RETAILER AND INSTALLER INFORMATION

| | |
|------------------------|----------------------------|
| Retailer | Installation Company |
| | |
| | |
| Contact No..... | Engineer..... |
| Date of Purchase | Contact No..... |
| Model No. | Gas Safe Reg No. |
| Serial No..... | Date of Installation |
| Gas Type | |

User Instructions

Welcome

Congratulations on purchasing your Stockton stove, if installed correctly Gazco hope it will give you many years of warmth and pleasure for which it was designed.

The purpose of this manual is to familiarise you with your appliance, and give guidelines for its installation, operation and maintenance. If, after reading, you need further information, please do not hesitate to contact your Gazco retailer.

WARNING



In the event of a gas escape or if you can smell gas, please take the following steps:

- **Immediately turn off the gas supply at the meter/emergency control valve**
- **Extinguish all sources of ignition**
- **Do not smoke**
- **Do not operate any electrical light or power switches (On or Off)**
- **Ventilate the building(s) by opening doors and windows**
- **Ensure access to the premises can be made**

Please report the incident immediately to the National Gas Emergency Service Call Centre on 0800 111 999 (England, Scotland and Wales) , 0800 002 001 (N. Ireland) or in the case of LPG, the gas supplier whose details can be found on the bulk storage vessel or cylinder.

The gas supply must not be used until remedial action has been taken to correct the defect and the installation has been recommissioned by a competent person.

1. General

- 1.1 Installation and servicing must only be carried out by a competent person whose name appears on the Gas Safe register. To ensure the engineer is registered with Gas Safe they should possess an ID Card carrying the following logo:

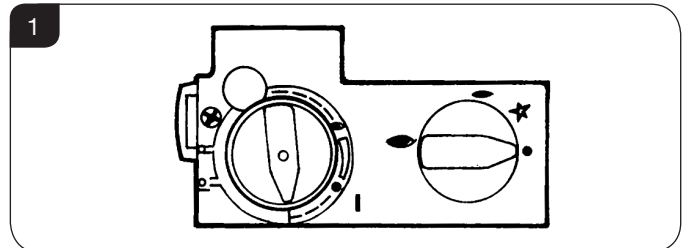


- 1.2 In all correspondence, please quote the appliance type and serial number which can be found on the data badge located at the rear of the appliance or on the Commissioning Checklist on Page 3.

- 1.3 **Do not** place curtains above the appliance: You must have 300mm (1') clearance between the appliance and any curtains at either side.
- 1.4 The manufacturer considers the full outer casing of this stove to be a working surface and it will become hot whilst in operation. A suitable guard is recommended to protect young children, the aged and the infirm.
- 1.5 No furnishings or other objects should be placed within 1 metre of the front of the appliance.
- 1.6 If a shelf is fitted, a distance of 225mm above the appliance is required.
- 1.7 Do not attempt to burn rubbish in this appliance.
- 1.8 This appliance must only be operated with the door secured firmly in position. If any cracks appear in the glass the appliance must not be used until the glass panel is replaced.
- 1.9 This product is guaranteed for 5 years from the date of installation, as set out in the terms and conditions of sale between Gazco and your local Gazco retailer. Please consult with your local Gazco retailer if you have any questions. In all correspondence always quote the Model Number and Serial Number.

2. Operating the Appliance

- 2.1 The control valve is at the foot on the right-hand side of the appliance. It has two controls, see Diagram 1:
1. The right-hand knob controls the pilot ignition.
 2. The left-hand knob controls the main burner.



- 2.2 Refer to separate instructions if your appliance is upgraded to include battery remote control. The instructions below apply whether or not you have the remote upgrade.

Lighting the Pilot

- 2.3 To start the left-hand and right-hand control knobs must both point to off (●):
- 2.4 Press in the right-hand control knob and rotate anti-clockwise until a click is heard. Continue to press in. The knob points to the pilot (←).

The pilot is lit.

- 2.5 Keep the knob depressed for 10 seconds before releasing. The pilot remains lit.

Repeat the above steps if the pilot does not stay lit.

User Instructions

NOTE: If the pilot goes out, the Interlock system prevents you lighting again for a short period.

- 2.6 If, after repeating the above steps the pilot does not light, contact your Retailer or Installer.
- 2.7 Turn the right-hand knob to the left to main burner setting (☞).

Adjusting the Flame height

- 2.8 You can now adjust the flame height and temperature using the left-hand control knob.
- 2.9 Turn the left-hand knob anti-clockwise to increase the flame height.
- 2.10 Turn clockwise to decrease the height.

i IMPORTANT: YELLOW FLAMES TYPICALLY APPEAR WHEN THE APPLIANCE HAS REACHED NORMAL OPERATING TEMPERATURE. THIS CAN TAKE UP TO 30 MINUTES.

! WARNING: IF THE APPLIANCE FAILS TO LIGHT OR BECOMES EXTINGUISHED IN USE, WAIT 3 MINUTES BEFORE ATTEMPTING TO RELIGHT.

3. Turning OFF the Appliance

- 3.1 To turn the main burner off turn the left-hand knob until it points to off (●). Just the pilot remains lit.
- 3.2 Press in and turn the right-hand knob until it points to off (●). The pilot goes out.

4. Upgrading the Appliance

- 4.1 The appliance is fitted with a control valve that can easily be upgraded to battery powered remote control. There are two versions of this control which can be obtained through your local Gazco stockist. There is no requirement for this upgrade to be carried out by an approved Gas engineer. However Gazco recommend that this task is undertaken by a suitably competent person.
- 4.2 This upgrade can be fitted before or after installation but if side clearances are limited then it will be easier to upgrade the appliance before installation. Full instructions are included with the kit.

Standard Remote Control (PART NUMBER 8455)

- 4.3 This remote control can control the gas appliance after the pilot has been lit. It can turn the main burner on and regulate it from low through to high and back again. It can turn the main burner off leaving the pilot burning.

Thermostatic and Timer Remote Control (PART NUMBER 8456)

- 4.4 This remote control can control the gas appliance after the pilot has been lit.

MANUAL MODE

Can be used to turn the main burner on and manually regulate it from low through to high and back again. It can also be used to turn the main burner off leaving the pilot burning.

AUTO MODE

Will automatically regulate the room to a pre-set temperature.

TIMER MODE

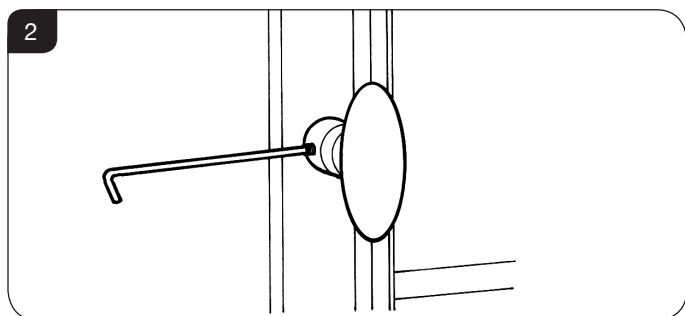
Will turn the appliance on and off according to a pre-set programme and automatically regulate the room temperature during the two on periods.

5. Cleaning the Appliance

! WARNING: NEVER CLEAN THE APPLIANCE WHILE IT'S HOT. THE APPLIANCE STAYS HOT FOR A LONG TIME AFTER SHUTDOWN.

IMPORTANT: THE OUTER PANNELLING AND DOOR OF THE APPLIANCE ARE MADE FROM CAST IRON. TAKE CARE WHEN INSTALLING, REMOVING AND STORING TO AVOID DAMAGING THE OUTER CASING, HEARTH OR DOOR.

- 5.1 To open the door of the appliance undo the grub screw with a 2mm Allen key, see Diagram 2.



- 5.2 Turn the knob anti-clockwise.
- 5.3 Pull the door open.
- 5.4 Carefully remove the ceramic fuel bed components and set aside. Protect the floor coverings and follow the advice given in Section 6.
- 5.5 The coals should not require cleaning. Do not use a vacuum cleaner or brush to clean the coals, any large pieces of debris can be removed by hand.
- 5.6 Ensure any debris is removed from the burner ports.
- 5.7 Replace the ceramics, see Section 7.

User Instructions

5.8 Ensure that the rope seal on the back of the door is intact, close the door and rotate the doorknob clockwise to seal, some resistance will be felt at the end of its stroke, the doorknob will come to a stop in the vertical plane.

5.9 Secure door by tightening the grub screw with the 2mm Allen key.

NEVER OPERATE THE APPLIANCE WHEN THE DOOR IS OPEN, OR THE GLASS IS BROKEN.

5.10 Use a damp cloth to clean the outer casing of the appliance.

6. Arrangement of Fuel Bed

Advice on handling and disposal of fire ceramics



The fuel effect and side panels in this appliance are made from Refractory Ceramic Fibre (RCF), a material which is commonly used for this application.

Protective clothing is not required when handling these articles, but we recommend you follow normal hygiene rules of not smoking, eating or drinking in the work area and always wash your hands before eating or drinking.

To ensure that the release of RCF fibres are kept to a minimum, during installation and servicing a HEPA filtered vacuum is recommended to remove any dust accumulated in and around the appliance before and after working on it. When servicing the appliance it is recommended that the replaced items are not broken up, but are sealed within heavy duty polythene bags and labelled as RCF waste.

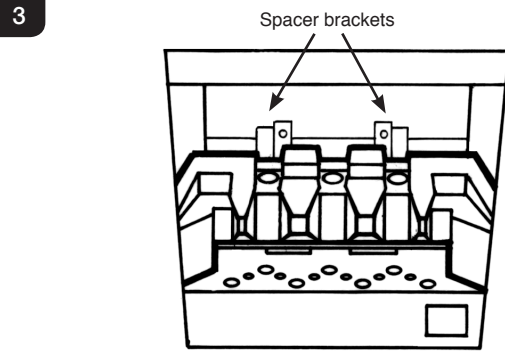
RCF waste is classed as stable, non-reactive hazardous waste and may be disposed of at a licensed landfill site.

Excessive exposure to these materials may cause temporary irritation to eyes, skin and respiratory tract; wash hands thoroughly after handling the material.

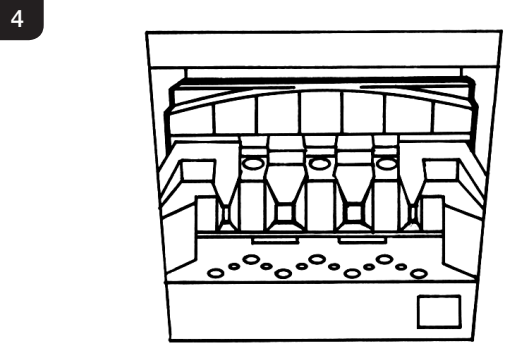
7. Coal Layout

COALS MUST BE POSITIONED ACCORDING TO THE FOLLOWING INSTRUCTIONS TO GIVE THE CORRECT FLAME EFFECT

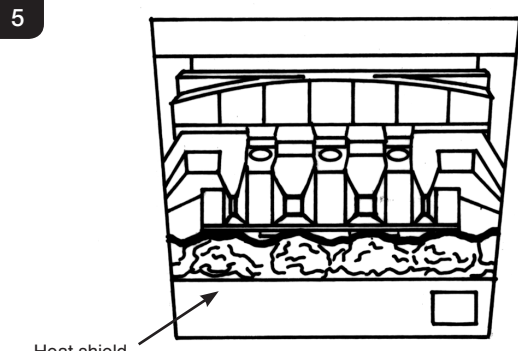
7.1 Place the flame baffle onto the burner and push against the rear tray lip, see Diagram 3.



7.2 Locate the rear panel against the spacer brackets, see Diagram 4 and slide down so that it locates on the ledge of the flame baffle, see Diagram 4.



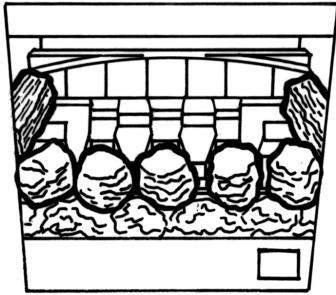
7.3 Locate the front coal between the heat shield and the flame baffle so that the ends sit flat against the burner skin, see Diagram 5.



7.4 Place five of the loose round coals on the front coal so they lean against the flame baffle, in between the fingers. Place the two rectangular coals against the reflector panels, one either side, behind the front row of loose coals, see Diagram 6.

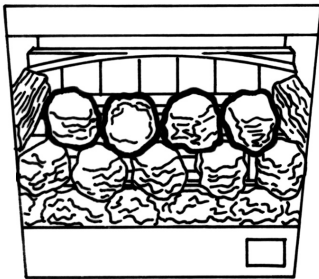
User Instructions

6



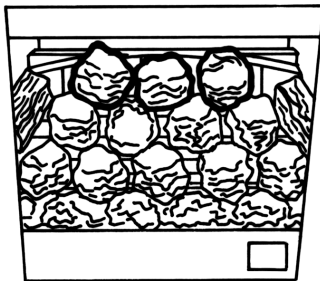
- 7.5 Place four of the loose round coals behind the first row so that they sit on the fingers of the flame baffle, the two outer ones should touch the rectangular coals, see Diagram 7.

7



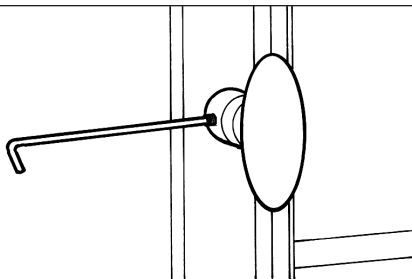
- 7.6 Place the remaining three round coals behind the centre row so that they touch the back panel, see Diagram 8.

8



- 7.7 Ensure that the rope seal on the back of the door is intact, close the door and rotate the doorknob clockwise to seal, some resistance will be felt at the end of its stroke, the doorknob will come to a stop in the vertical plane.
- 7.8 Secure door by tightening the grub screw with the 2mm Allen key.

9



NEVER OPERATE THE APPLIANCE WHEN THE DOOR IS OPEN, OR THE GLASS IS BROKEN.

8. Flue Sure System

- 8.1 The appliance is fitted with the Gazco Flue Sure System, which will act to cut off the gas supply to the burners in the event of incorrect operation of the flue. If the system acts to cut off the gas supply, this indicates that there is insufficient flue pull. If this occurs a minimum of 10 minutes should be allowed before trying to relight. Continued operation of this safety device means there may be a serious problem with the flue system. A qualified gas engineer should inspect this.

DO NOT USE THE APPLIANCE UNTIL AN ENGINEER SAYS IT IS SAFE TO DO SO.

9. Flame Failure Device

- 9.1 This is a safety feature incorporated on this appliance which automatically switches off the gas supply if the pilot goes out and fails to heat the thermocouple.

IF THIS OCCURS DO NOT ATTEMPT TO RELIGHT THE APPLIANCE FOR 3 MINUTES.

10. Running In

- 10.1 During initial use of a new Gazco appliance a strong odour will be encountered as various surface coatings become hot for the first time. Although these odours are harmless it is recommended that the appliance is operated on maximum for 4 to 8 hours in order to fully burn off these coatings. After this period the odours should then disappear.

If the odours persists, please contact your installer for advice.

- 10.2 During the first few hours of burning there may be discolouration of the flames. This will also disappear after a short period of use.

11. Servicing

- 11.1 The appliance must be serviced every 12 months by a qualified Gas Engineer. In all correspondence always quote the Model number and the Serial number which may be found on the Commissioning Checklist (Page 3).

12. Ventilation

- 12.1 Any purpose provided ventilation should be checked periodically to ensure that it is free from obstruction.

13. Installation Details

- 13.1 Your installer should have completed the commissioning sheet at the front of this book. This records the essential installation details of the appliance. In all correspondence always quote the Model number and Serial number.

14. Hot Surfaces

- 14.1 Parts of this appliance become hot during normal use. Regard all parts of the appliance as a working surface except the control area.
- 14.2 Provide a suitable fire guard to protect young children and the infirm.

Installation Instructions

Technical Specification

Covering the following models:

| Gas Type | Nat Gas | LPG |
|----------|----------|-----------|
| | 8575MCUC | P8575MCUC |

| Model | Gas CAT. | Gas Type | Working Pressure | Aeration | Injector | Gas Rate m ³ /h | Input kW (Gross) | | Country |
|--|------------------|---------------|------------------|--------------|----------|----------------------------|------------------|-----|---------|
| | | | | | | | High | Low | |
| Stockton 5 8575MCUC | I ₂ H | Natural (G20) | 20mbar | 1 x 7.5mm Ø | 260 | 0.438 | 4.6 | 2.5 | GB, IE |
| Stockton 5 P8575MCUC | I ₃ P | Propane (G31) | 37mbar | 1 x 13.5mm Ø | 110 | 0.165 | 4.4 | 2.3 | GB, IE |
| Efficiency Class 2 - 73% / NOx Class 5 | | | | | | | | | |
| Flue Outlet Size 127mm (5") ø | | | | | | | | | |
| Gas Inlet Connection Size 8mm ø | | | | | | | | | |
| Minimum flue specification T260 / N2 / O / D / 1 | | | | | | | | | |
| Maximum flue temperature 180°C | | | | | | | | | |

i The net efficiency of this appliance has been measured as specified in EN613:2001 and the result after conversion to gross using the appropriate factor from Table E4 of SAP 2009 is 67%. The test data has been certified by Kiwa Nederland BV. The gross efficiency value may be used in the UK Government's Standard Assessment Procedure (SAP) for energy rating of dwellings.

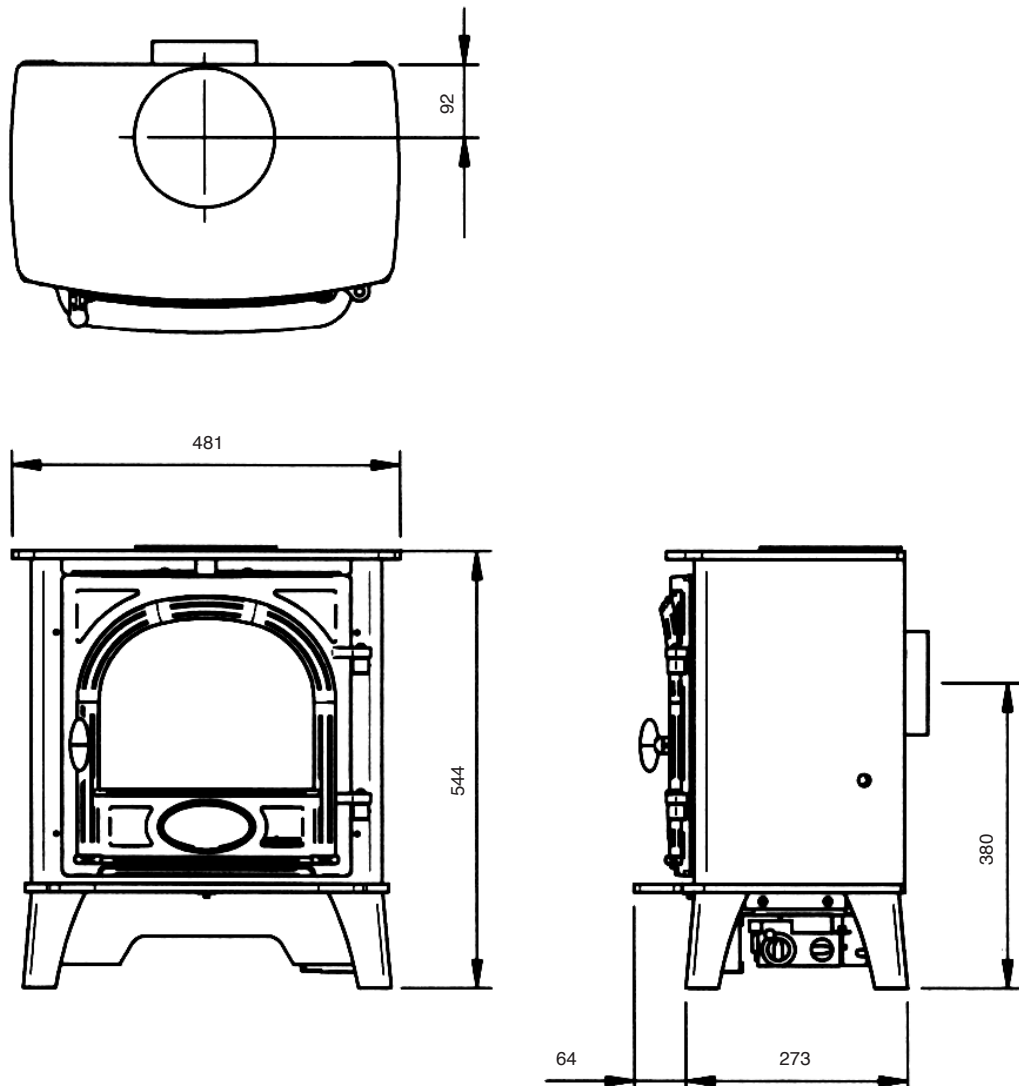
Installation Instructions

Technical Specification

This appliance has been certified for use in countries other than those stated. To install this appliance in these countries, it is essential to obtain the translated instructions and in some cases the appliance will require modification. Contact Gazco for further information.

PACKING CHECKLIST

| Qty Description | Fixing Kit containing:- |
|-----------------------|-------------------------|
| 1 x Appliance | 1 x Instruction manual |
| 1 x Flue infill plate | 2 x Wood screws |
| 1 x Front Coal | 2 x Rawl plugs |
| 1 x Flame Baffle | 1 x Allen key |
| 1 x Coal Set | |
| 1 x Rear Ceramic | |



Installation Instructions

Site Requirements

1. Flue & Chimney Requirements

- 1.1 The chimney or flue system must comply with the rules in force, and must be a minimum of 127mm in diameter. (5").
- 1.2 The minimum flue height for the appliance must be 3 metres (10ft). Any horizontal flue run from the rear outlet must not exceed 100mm from the back of the appliance.
- 1.3 The chimney or flue must be free from any obstruction. Any damper plates must be removed or secured in the fully open position, and no restrictor plates fitted.
- 1.4 The chimney must be swept prior to the installation, but it need not be swept if it can be seen the chimney is clean and unobstructed throughout its entire length.
- 1.5 NOTE: If it is intended to fit the appliance into an existing brick built chimney, a 5" (127mm) liner must be used. Larger lined flues can work, but in some instances could cause cold start flue problems resulting in nuisance shutdown. Lined flues above 7" (175mm) are not recommended.
- 1.6 Due to European chimney standards, new flues and chimneys are described by their temperature, pressure and resistance to corrosion, condensation and fire. To assist in identifying the correct flue system, the minimum flue specification is shown in the Technical Specification. Existing chimneys are not covered by this system.

2. Gas Supply

THIS APPLIANCE IS INTENDED FOR USE ON A GAS INSTALLATION WITH A GOVERNED METER.

- 2.1 Before installation, ensure that the local distribution conditions (identification of the type of gas and pressure) and the adjustment of the appliance are compatible.
- 2.2 Ensure the gas supply delivers the required amount of gas and is in accordance with the rules in force.
- 2.3 Soft copper tubing and soft soldered joints can be used but must not be closer than 50mm to the base of the tray.
- 2.4 A means of isolating the gas supply to the appliance must be provided independent of any appliance control.
- 2.5 All supply gas pipes must be purged of any debris that may have entered prior to connection to the appliance.
- 2.6 The gas supply must be installed in a way that does not restrict the removal of the appliance for servicing and inspection.

3. Ventilation

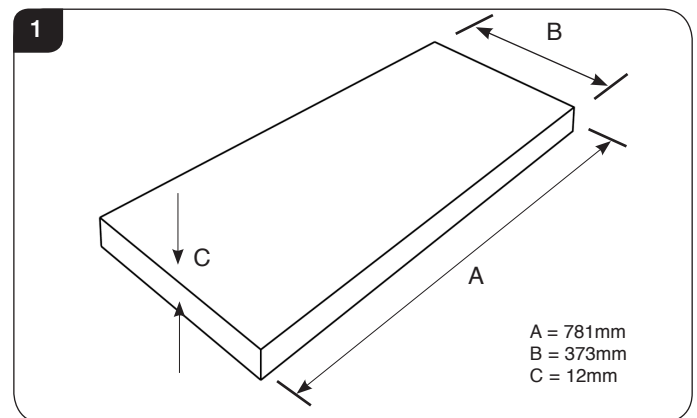
IMPORTANT: Ensure any national ventilation requirements are taken into account during installation of the appliance.

- 3.1 This appliance has a nominal input not exceeding 7.0kw and therefore, does not normally require any additional permanent ventilation.
- 3.2 If however, spillage is detected when commissioning the appliance, there may be insufficient natural ventilation and additional ventilation may be required.

FOR THE REPUBLIC OF IRELAND REFER TO THE RULES IN FORCE FOR VENTILATION REQUIREMENTS.

4. Appliance Location

- 4.1 Building Regulations state this appliance must stand on a non-combustible hearth that is at least 12mm thick and projects 50mm minimum from the base of the appliance in all directions, however Gazco recommend the hearth extends to the following dimensions, see Diagram 1.



- 4.2 Do not install in a room that contains a bath or shower.

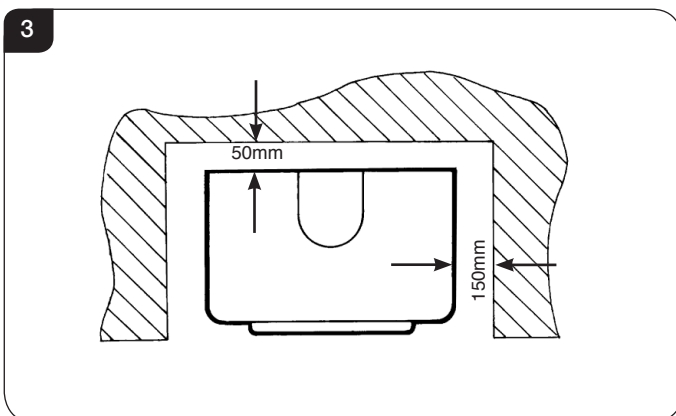
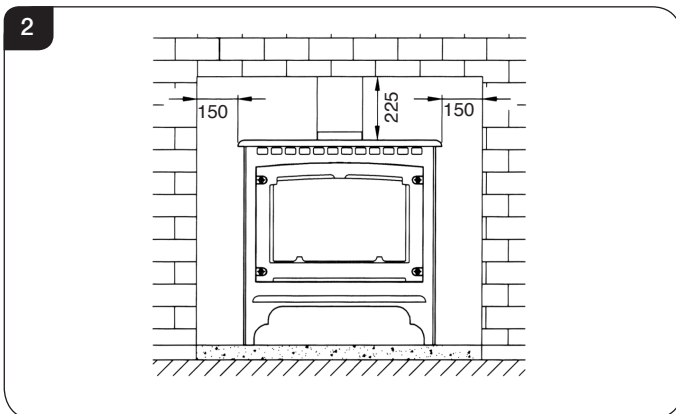
Installation Instructions

Site Requirements

MINIMUM CLEARANCE

- 4.3 The appliance is not suitable for installation against a combustible wall. All combustible materials must be removed from behind the appliance.
- 4.4 Ensure that all minimum clearances to combustible materials are complied with, see Diagrams 2 and 3.

The specified clearances provide the minimum distance to combustible materials. If the appliance is intended to be installed into a non-combustible opening the clearance to the **sides and above** the appliance can be reduced. However, it is recommended that the specified clearances are maintained irrespective of the materials used in the construction of the opening to allow adequate air flow and access to controls. **The clearance at the rear of the appliance must always be a minimum of 50mm.**



- 4.5 The above dimensions provide adequate clearance to combustible materials. It may be necessary to add additional clearance so that spillage tests can be performed when necessary.

Installation Instructions

1. Safety Precautions

- 1.1 For your own and other's safety, you must install this appliance according to local and national codes of practice. Failure to install the appliance correctly could lead to prosecution. **Read these instructions before installing and using this appliance.**
- 1.2 These instructions must be left intact with the user.
- 1.3 Do not attempt to burn rubbish on this appliance.
- 1.4 Keep all plastic bags away from young children.
- 1.5 Do not place any object on or near to the appliance and allow adequate clearance above the appliance.

IF THE APPLIANCE IS EXTINGUISHED OR GOES OUT IN USE, WAIT 3 MINUTES BEFORE ATTEMPTING TO RELIGHT THE APPLIANCE.

- 1.6 The appliance is fitted with the Gazco Flue Sure System, which will act to cut off the gas supply to the burners in the event of incorrect operation of the flue. If the system acts to cut off the gas supply, this indicates that there is insufficient flue pull. If this occurs a minimum of 10 minutes should be allowed before trying to relight. Continued operation of this safety device means there may be a serious problem with the flue system. A qualified gas engineer should inspect this.
- 1.7 Do not alter or tamper with the Flue Sure System. Use only genuine Gazco replacement parts when servicing the system - refer to the Servicing **Section, Replacing Parts.**

DO NOT USE THE APPLIANCE UNTIL AN ENGINEER SAYS IT IS SAFE TO DO SO.



IMPORTANT: REFER TO DATA BADGE AND TECHNICAL SPECIFICATION AT THE FRONT OF THE MANUAL TO ENSURE THE APPLIANCE IS CORRECTLY ADJUSTED FOR THE GAS TYPE AND CATEGORY APPLICABLE IN THE COUNTRY OF USE.

FOR DETAILS OF CHANGING BETWEEN GAS TYPES REFER TO SERVICING, SECTION 12, REPLACING PARTS.

Unpacking

- 1.6 Remove the appliance from its packaging, and check that it is complete and undamaged.

2. Upgrading the Appliance

- 2.1 The appliance is fitted with a control valve that can easily be upgraded to battery powered remote control. There are two versions of this control which can be obtained through your local Gazco stockist. There is no requirement for this upgrade to be carried out by an approved Gas engineer. However Gazco recommend that this task is undertaken by a suitably competent person.
- 2.2 This upgrade can be fitted before or after installation but if side clearances are limited then it will be easier to upgrade the appliance before installation. Full instructions are included with the kit.

Standard Remote Control (PART NUMBER 8455)

- 2.3 This remote control can control the gas appliance after the pilot has been lit. It can turn the main burner on and regulate it from low through to high and back again. It can turn the main burner off leaving the pilot burning.

Thermostatic and Timer Remote Control (PART NUMBER 8456)

- 2.4 This remote control can control the gas appliance after the pilot has been lit.

MANUAL MODE

Can be used to turn the main burner on and manually regulate it from low through to high and back again. It can also be used to turn the main burner off leaving the pilot burning.

AUTO MODE

Will automatically regulate the room to a pre-set temperature.

TIMER MODE

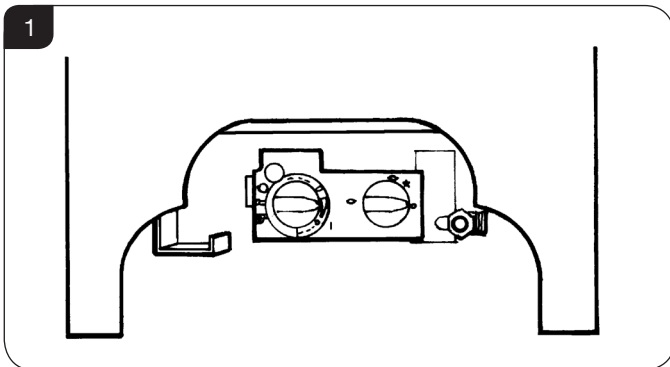
Will turn the appliance on and off according to a pre-set programme and automatically regulate the room temperature during the two on periods.

Installation Instructions

3. Installation of the Appliance

FLUE PIPE INSTALLATION

- 3.1 Decide whether to use top or rear flue exit.
The appliance is factory built for rear flue exit but it can be changed to top exit by swapping the flue spigot and blanking plate located on the appliance.
- 3.2 Position the appliance ensuring all appropriate clearances are observed.
- 3.3 Using a pencil, mark the position of the holes in the fixing brackets attached to the inside of the rear legs.
- 3.4 Remove the appliance and drill the holes using a number 12 masonry drill.
- 3.5 Push wall plugs into the holes and insert the wood screws until the head is approximately 3mm proud of the hearth.
- 3.6 Place the appliance in position over the bracket so that the screw heads locate in the large part of the slot.
- 3.7 Push the appliance back so that the screw heads engage fully into the narrow part of the slot, tighten the screws.
- 3.8 Having run the gas supply to the appliance **PURGE THE SUPPLY PIPE.**
This is essential to expel any debris that can block the gas controls.
- 3.9 Connect the gas supply to the 8mm compression elbow at the right-hand rear corner of the appliance
There is a cutout in the right-hand rear leg to enable a straight connection to the rear of the appliance, see Diagram 1. A gas soundness check must be completed up to the gas inlet connection.



- 3.10 The flue system may now be connected to the appliance.
- 3.11 Ensure all joints are sealed with a fire resistant cement and use a self-tapping screw at the flue spigot joint.

4. Gas Soundness Pressure Check

- 4.1 Connect a suitable pressure gauge to the test point located on the inlet fitting and turn the gas supply on. Light the appliance and check all gas joints for possible leaks. Turn the appliance to maximum and check that the supply pressure is as stated on the databadge. Turn the gas off and replace the test point screw, turn the gas on and check the test point for leaks.

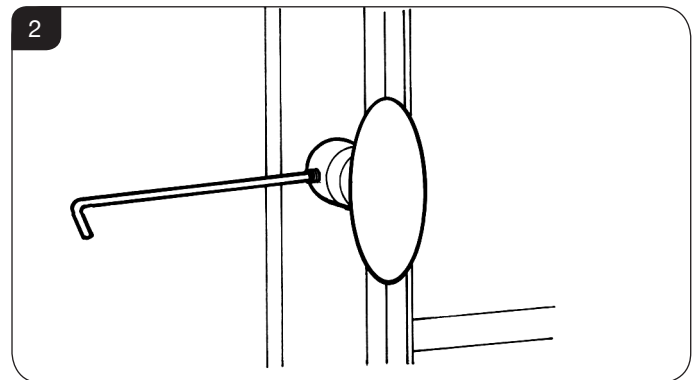
5. Opening the Door



IMPORTANT: THE OUTER PANNELLING AND DOOR OF THE APPLIANCE ARE MADE FROM CAST IRON . TAKE CARE WHEN INSTALLING, REMOVING AND STORING TO AVOID DAMAGING THE OUTER CASING, HEARTH OR DOOR.

The ceramic components are located behind the door.

- 5.1 To open the door of the appliance undo the grub screw with a 2mm Hexagon key, see Diagram 2.



- 5.2 Turn the knob anti-clockwise and pull the door open.
- 5.3 Remove the box and the protective packaging from the components.

Installation Instructions

6. Arrangement of Fuel Bed

Advice on handling and disposal of fire ceramics



The fuel effect and side panels in this appliance are made from Refractory Ceramic Fibre (RCF), a material which is commonly used for this application.

Protective clothing is not required when handling these articles, but we recommend you follow normal hygiene rules of not smoking, eating or drinking in the work area and always wash your hands before eating or drinking.

To ensure that the release of RCF fibres are kept to a minimum, during installation and servicing a HEPA filtered vacuum is recommended to remove any dust accumulated in and around the appliance before and after working on it. When servicing the appliance it is recommended that the replaced items are not broken up, but are sealed within heavy duty polythene bags and labelled as RCF waste.

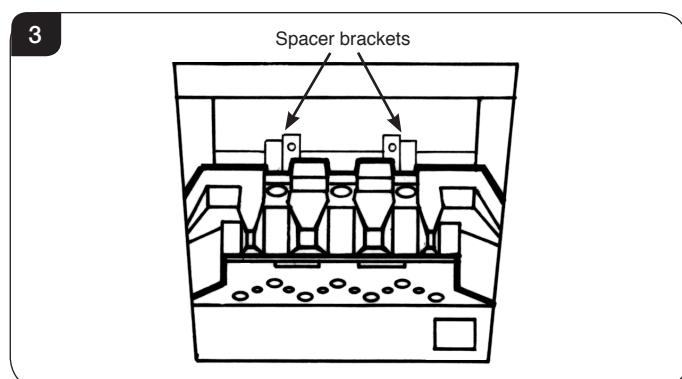
RCF waste is classed as stable, non-reactive hazardous waste and may be disposed of at a licensed landfill site.

Excessive exposure to these materials may cause temporary irritation to eyes, skin and respiratory tract; wash hands thoroughly after handling the material.

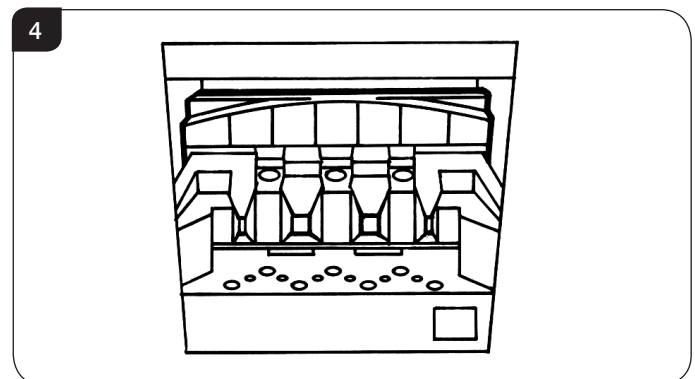
7. Coal Layout

COALS MUST BE POSITIONED ACCORDING TO THE FOLLOWING INSTRUCTIONS TO GIVE THE CORRECT FLAME EFFECT.

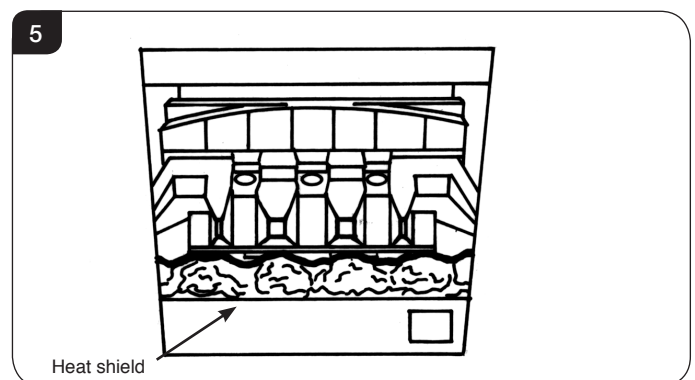
- 7.1 Place the flame baffle onto the burner and push against the rear tray lip, see Diagram 3.



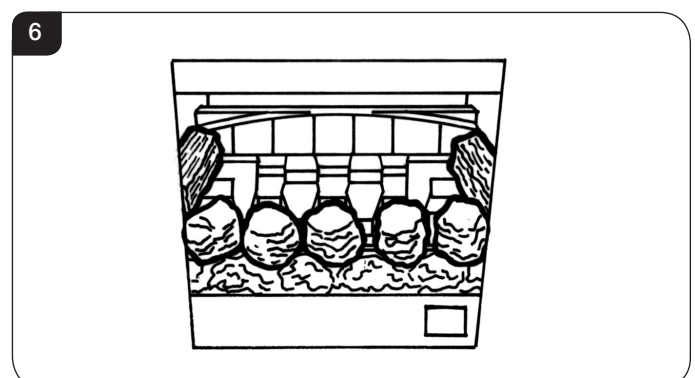
- 7.2 Locate the rear panel against the spacer brackets, see Diagram 3 and slide down so that it locates on the ledge of the flame baffle, see Diagram 4.



- 7.3 Locate the front coal between the heat shield and the flame baffle so that the ends sit flat against the burner skin, see Diagram 5.

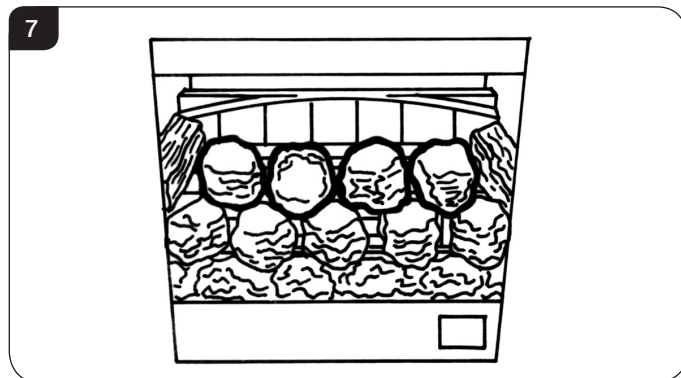


- 7.4 Place five of the loose round coals on the front coal so they lean against the flame baffle, in between the fingers. Place the two rectangular coals against the reflector panels, one either side, behind the front row of loose coals, see Diagram 6.

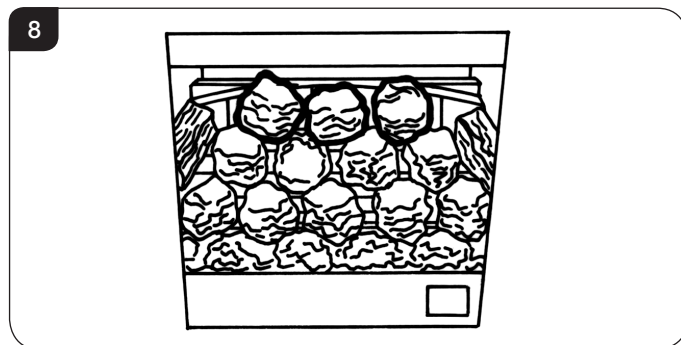


Installation Instructions

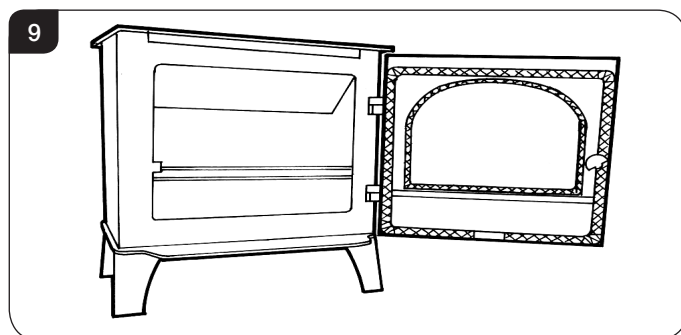
- 7.5 Place four of the loose round coals behind the first row so that they sit on the fingers of the flame baffle, the two outer ones should touch the rectangular coals, see Diagram 7.



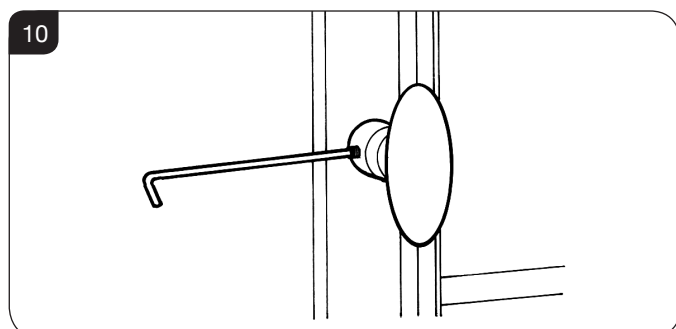
- 7.6 Place the remaining three round coals behind the centre row so that they touch the back panel, see Diagram 8.



- 7.7 Ensure that the rope seal on the back of the door is intact, close the door and rotate the doorknob clockwise to seal, some resistance will be felt at the end of its stroke, the doorknob will come to a stop in the vertical plane.



- 7.8 Secure door by tightening the grub screw with the 2mm Hexagon key.

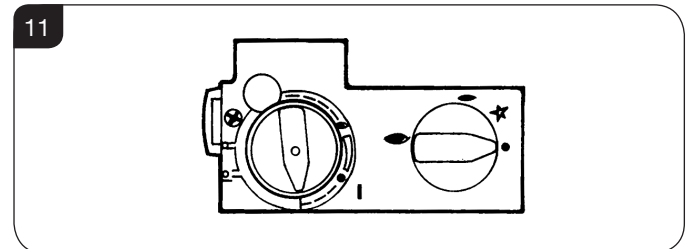


NEVER OPERATE THE APPLIANCE WHEN THE DOOR IS OPEN, OR THE GLASS IS BROKEN.

8. Operating the Appliance

- 8.1 The control valve is at the foot on the right-hand side of the appliance. It has two controls, see Diagram 11:

1. The right-hand knob controls the pilot ignition.
2. The left-hand knob controls the main burner.



- 8.2 Refer to separate instructions if your appliance is upgraded to include battery remote control. The instructions below apply whether or not you have the remote upgrade.

Lighting the Pilot

- 8.3 To start the left-hand and right-hand control knobs must both point to off (●):

- 8.4 Press in the right-hand control knob and rotate anti-clockwise until a click is heard. Continue to press in. The knob points to the pilot (→).

The pilot is lit.

- 8.5 Keep the knob depressed for 10 seconds before releasing. The pilot remains lit.

Repeat the above steps if the pilot does not stay lit.

NOTE: If the pilot goes out, the Interlock system prevents you lighting again for a short period.

- 8.6 If, after repeating the above steps the pilot does not light, contact your Retailer or Installer.

- 8.7 Turn the right-hand knob to the left to main burner setting (↶).

Adjusting the Flame height

- 8.8 You can now adjust the flame height and temperature using the left-hand control knob.

- 8.9 Turn the left-hand knob anti-clockwise to increase the flame height.

- 8.10 Turn clockwise to decrease the height.

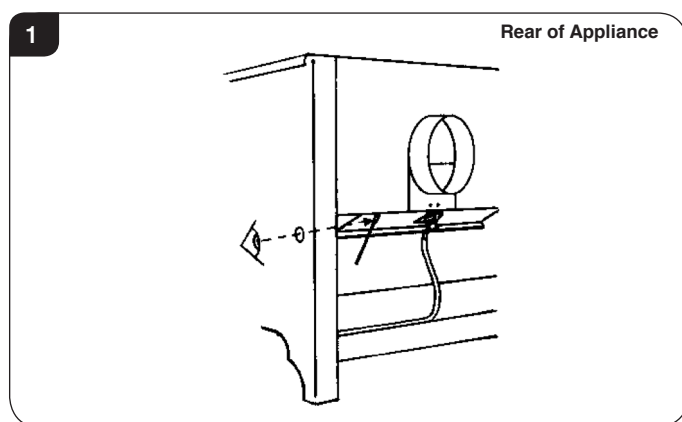
IMPORTANT: YELLOW FLAMES TYPICALLY APPEAR WHEN THE APPLIANCE HAS REACHED NORMAL OPERATING TEMPERATURE. THIS CAN TAKE UP TO 30 MINUTES.

WARNING: IF THE APPLIANCE FAILS TO LIGHT OR BECOMES EXTINGUISHED IN USE, WAIT 3 MINUTES BEFORE ATTEMPTING TO RELIGHT.

Commissioning

1. Commissioning

- 1.1 Close all doors and windows in the room.
- 1.2 Ignite the appliance and operate on maximum for 10 minutes.
- 1.3 Remove the plastic sight plug from the right hand side of the appliance.
- 1.4 Position a lighted smoke match just inside the draught diverter opening at the rear of the appliance.
- 1.5 Check that all smoke is drawn into the opening by viewing through the sight hole, see Diagram 1.



- 1.6 If there is any doubt, run the appliance for a further 10 minutes, and repeat the test.
- 1.7 If there are any extractor fans in adjacent rooms, the test must be repeated with the fans running on maximum and interconnecting doors open.

IF SPILLAGE PERSISTS, DISCONNECT THE APPLIANCE AND SEEK EXPERT ADVICE.

- 1.8 Complete the Commissioning Checklist at the front of this manual covering:
 - Flue checks
 - Gas checks
 - Log layout - flame picture
- 1.9 Upon completion of the commissioning and testing of the installation and correct operation of the appliance, the installer must instruct the user how to operate the appliance.
- 1.10 Guide the user through the User Instructions paying particular attention to:
 - a) Regular servicing (Section 11 of the User Instructions).
 - b) Ventilation (Section 12 of the User Instructions) - point out the ventilation positions where applicable.
 - c) Hot surfaces (Section 14 of the User Instructions).

Servicing Instructions

Servicing/Fault Finding Charts

1. Servicing Requirements

IMPORTANT – The glass panel on this appliance should be checked for any signs of damage on the front face of the glass panel (scratches, scores, cracks or other surface defects). If damage is observed, the glass panel must be replaced and the appliance must not be used until a replacement is installed. Under no circumstances should the appliance be used if any damage is observed. Please isolate the appliance until a replacement glass panel has been obtained and installed. Replacement glass panels can be purchased from Gazco via the retailer from which the appliance was purchased or any other Gazco distributor.

This appliance must be serviced at least once a year by a competent person.

All tests must be carried out in accordance with the current Gas Safe recommendations.

1.1 Before Testing:

- Conduct a gas soundness test for the property ensuring there are no leaks before servicing.
- Check the operation of the appliance before testing.

1.2 Special checks:

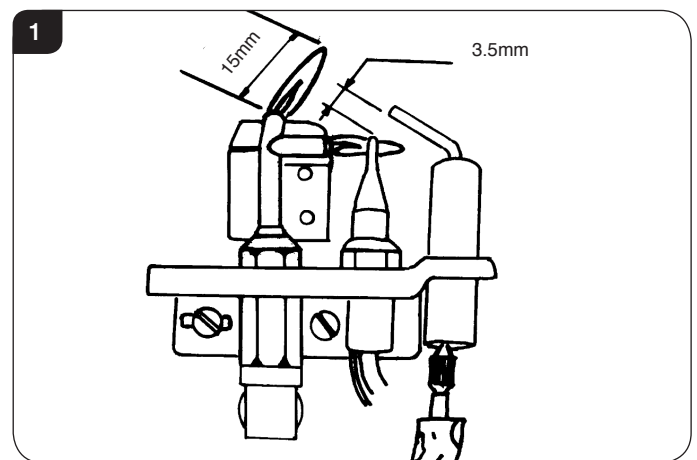
- Clean the burner using a vacuum cleaner with a soft brush attachment. Ensure all debris is removed from the burner ports.

- Clean any lint or fluff from the pilot - pay particular attention to the aeration holes of the pilot
- Clean away lint or fluff from under the burner.
- Check the spark gap on the pilot is correct, see Diagram 1.
- Ensure that the door is secured correctly.

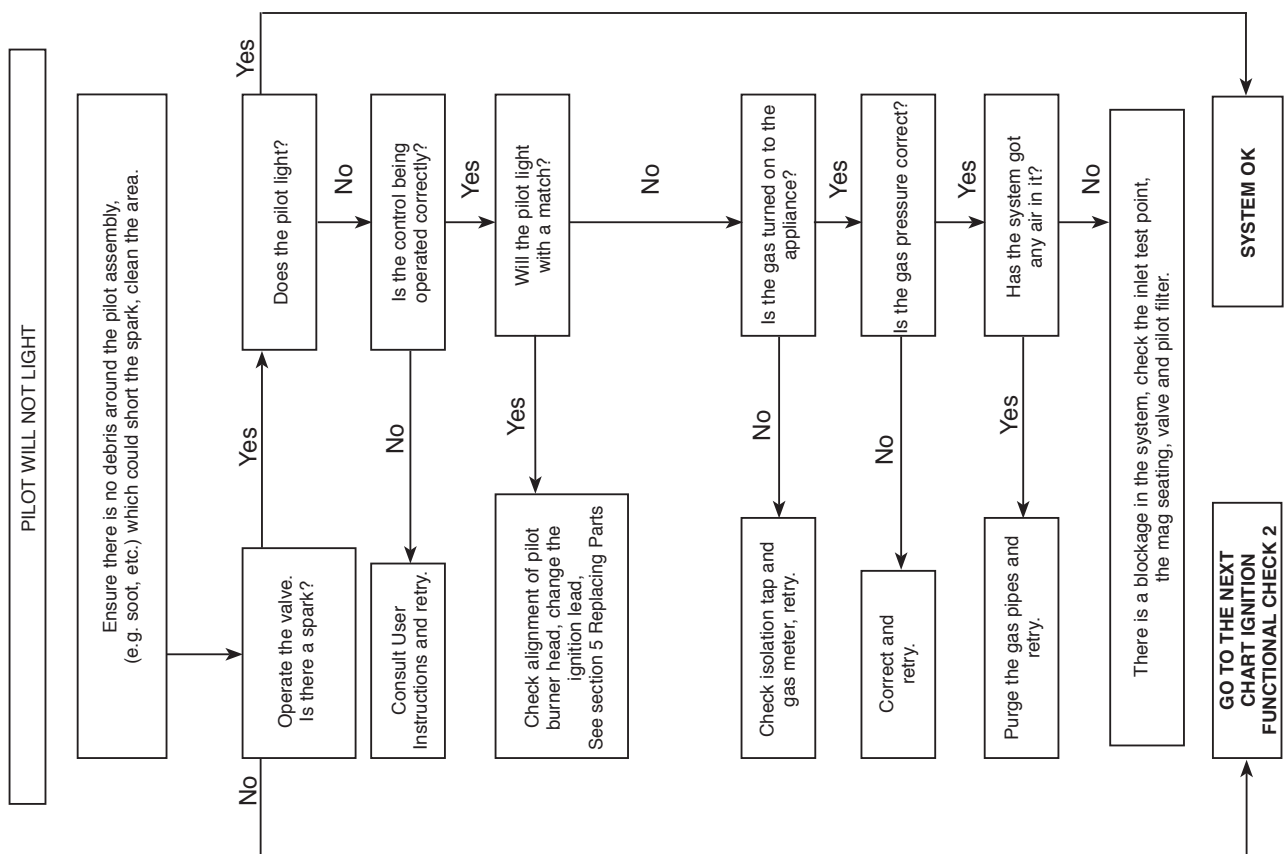
1.3 Correct any faults found during the initial test.

1.4 Re-commission the appliance in accordance with Commissioning Procedures.

1.5 Advise the customer of any remedial work undertaken.



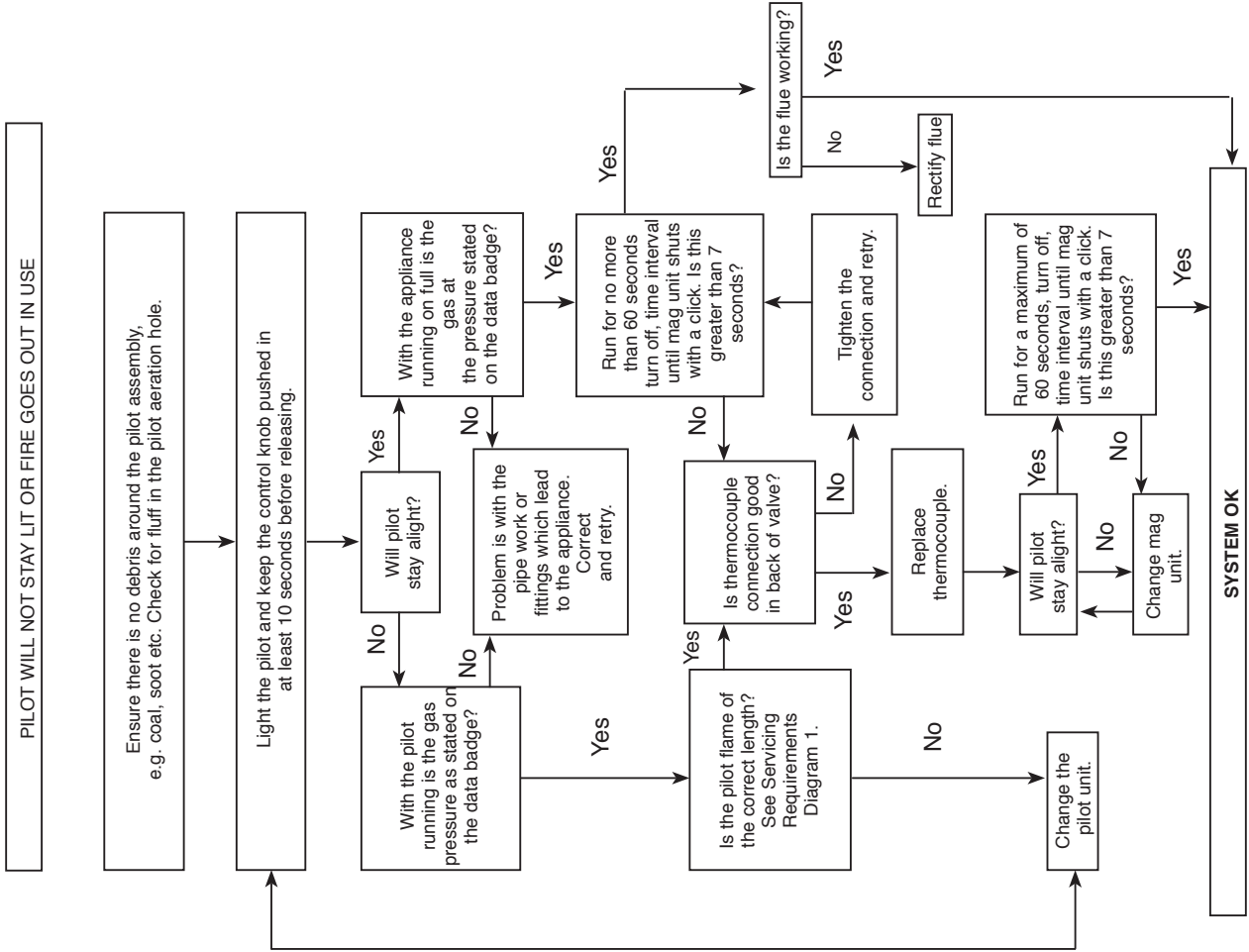
IGNITION FUNCTIONAL CHECK 1



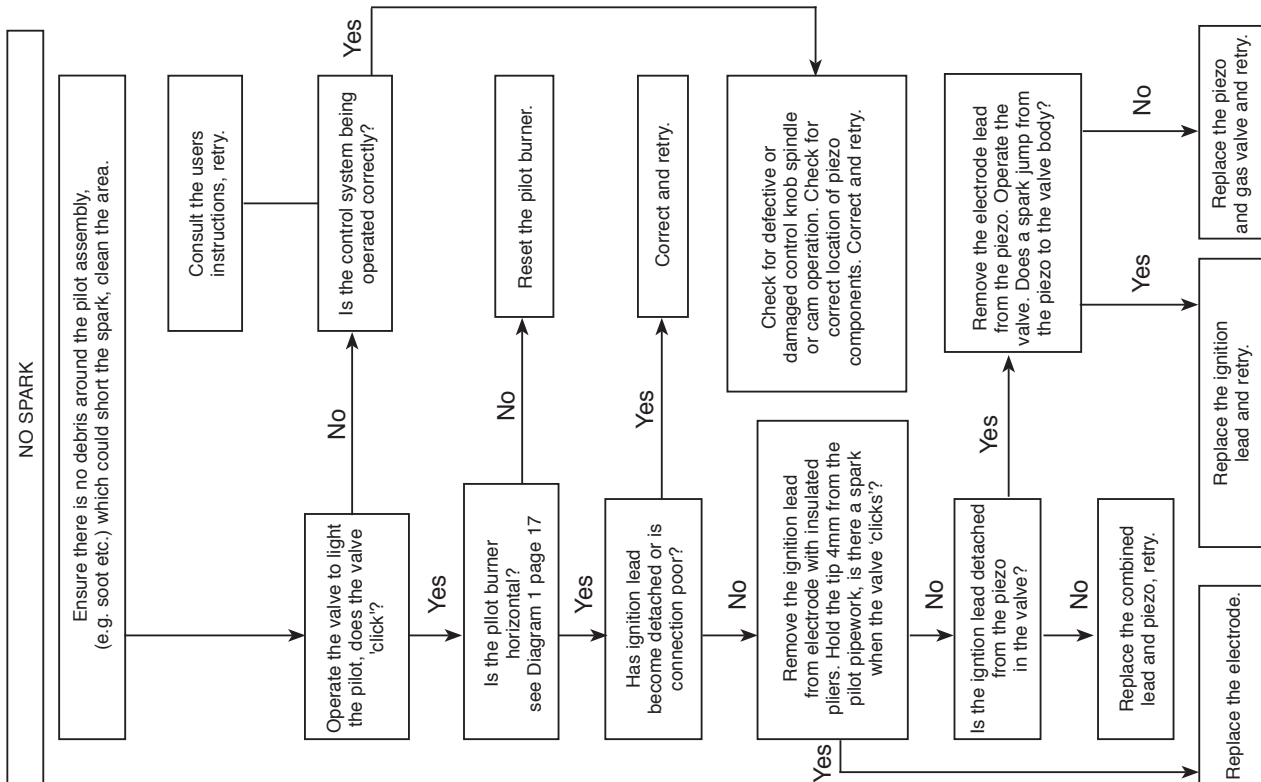
Servicing Instructions

Fault Finding Charts

FLAME FAILURE FUNCTIONAL CHECK 3



IGNITION FUNCTIONAL CHECK 2



Servicing Instructions - Replacing Parts

1. General

- 1.1 All main components can be replaced without removing the appliance from its installation.
- 1.2 Ensure the appliance and surrounds are cool before servicing.

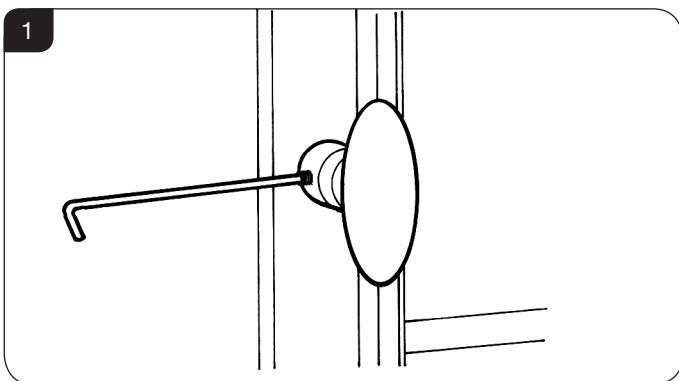
IT IS ESSENTIAL THAT THE GAS SUPPLY TO THE APPLIANCE IS TURNED OFF AT THE ISOLATION DEVICE BEFORE PROCEEDING FURTHER.

2. Opening the Door



IMPORTANT: THE OUTER PANNELLING AND DOOR OF THE APPLIANCE ARE MADE FROM CAST IRON. TAKE CARE WHEN INSTALLING, REMOVING AND STORING TO AVOID DAMAGING THE OUTER CASING, HEARTH OR DOOR.

- 2.1 To open the door of the appliance undo the grub screw with a 2mm Hexagon key, see Diagram 1.
- 2.2 Turn the knob anti-clockwise.
- 2.3 Pull the door open.

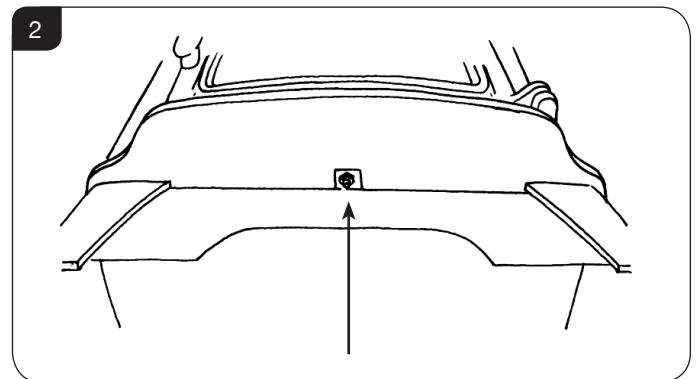


- 2.4 Refit in reverse order.
- 2.5 Ensure that the rope seal on the back of the door is intact, close the door and rotate the doorknob clockwise to seal, some resistance will be felt at the end of its stroke, the doorknob will come to a stop in the vertical plane.
- 2.5 Ensure that the grub screw is replaced and tightened with the Hexagon key, see Diagram 1.

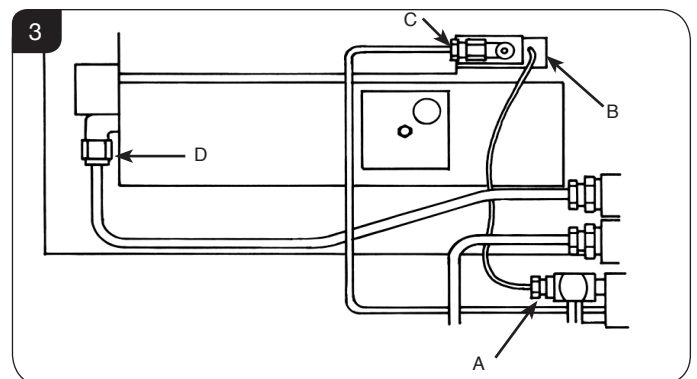
NEVER OPERATE THE APPLIANCE WHEN THE DOOR IS OPEN, OR THE GLASS IS BROKEN.

3. Main Burner

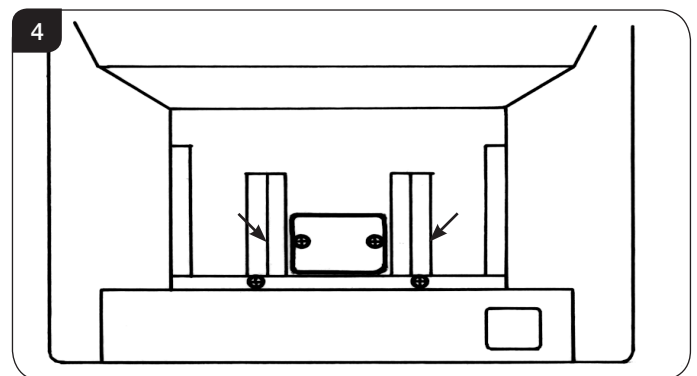
- 3.1 Turn off the gas supply at the isolation device and open the appliance door.
- 3.2 Carefully remove the ceramic fuel bed components.
- 3.3 Remove the cover plate from the bottom of the appliance by undoing the 6mm bolt, and place to one side, see Diagram 2.



- 3.4 Disconnect the thermocouple from the gas valve (A) and remove the ignition lead from the electrode (B). Cut the cable tie if required, undo the compression nut (C) from the pilot unit and undo the compression nut on the injector (D), see Diagram 3.



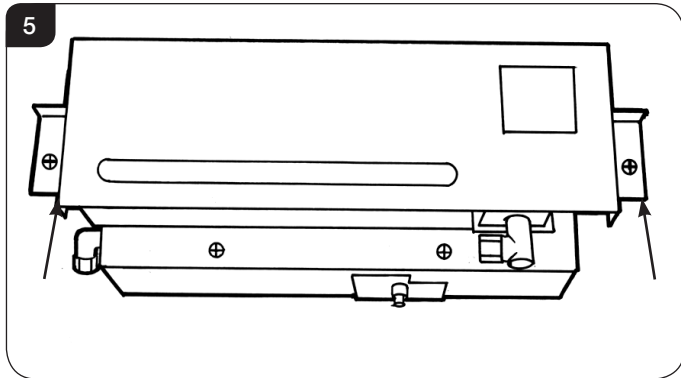
- 3.5 Remove the two screws at the back of the firebox and lift the burner unit clear, see Diagram 4.



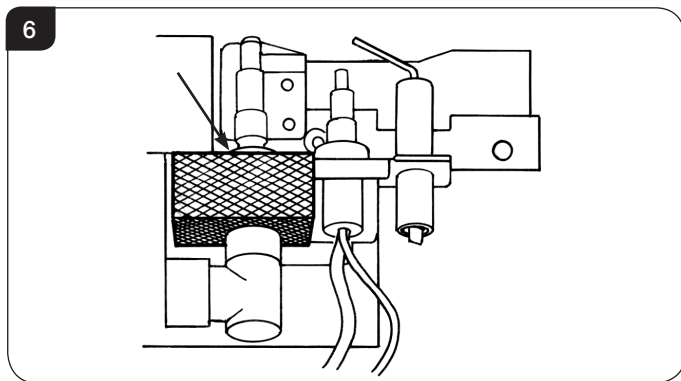
Servicing Instructions - Replacing Parts

4. Pilot Unit

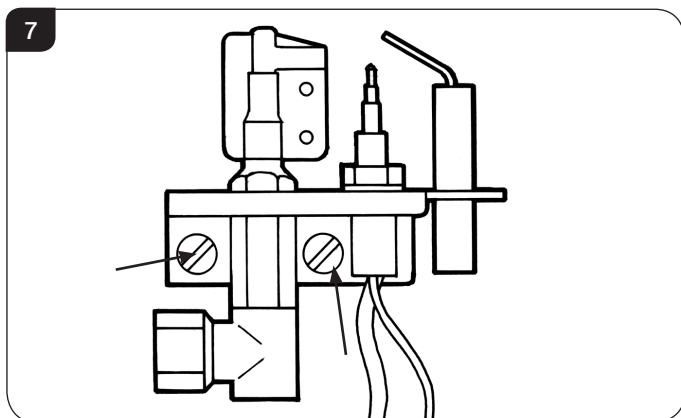
- 4.1 Follow the procedure for removing the main burner (see *Section 3*) when the burner is removed from the appliance, remove the aeration cover by undoing the two screws, see Diagram 5.



- 4.2 Remove the lint arrestor by folding the tabs back, see Diagram 6.



- 4.3 The pilot unit can now be removed by undoing the two screws, see Diagram 7.

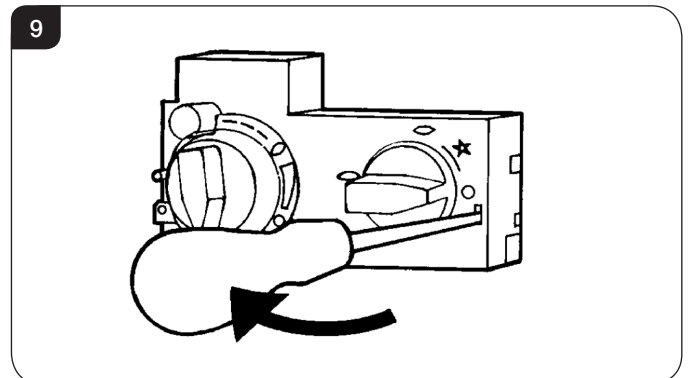
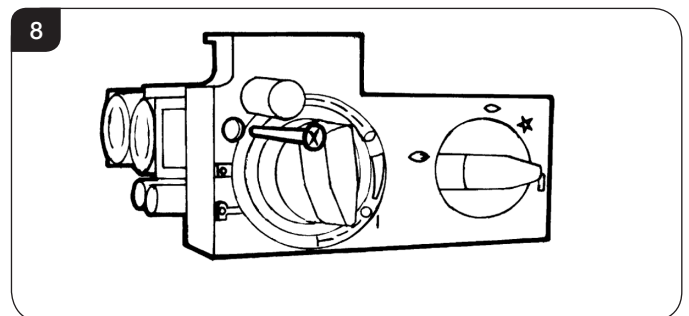


- 4.4 Reassemble in reverse order, do not overtighten.
NOTE: SPECIAL CARE SHOULD BE TAKEN WHEN REPLACING THE THERMOCOUPLE TO THE BACK OF THE GAS VALVE TO ENSURE THAT THE SENSOR WIRES FOR THE GAZCO FLUE SURE SYSTEM ARE NOT DISCONNECTED.

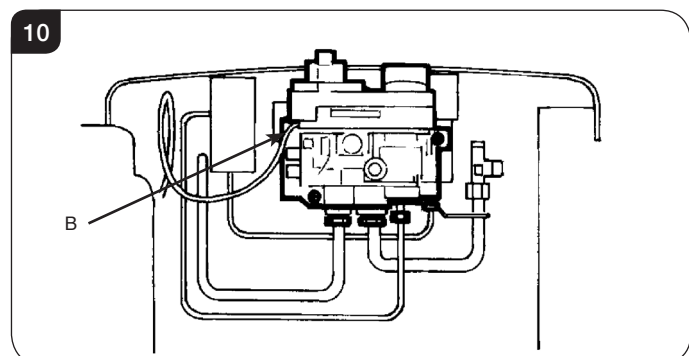
5. Ignition Lead

- 5.1 To access the back of the pilot assembly, see Section 4.
5.2 Disconnect the ignition lead from the electrode.
5.3 Remove the front cover from the control valve by removing the retaining screw, see Diagram 8 and gently levering clear with flat bladed screwdriver, see Diagram 9.

NOTE: There is a small cylindrical metal spacer inside the cover, this must be kept and replaced on the fixing screw on re-assembly



- 5.4 Disconnect the end of the ignition lead from the valve body, see Diagram 10, Arrow B, note the existing route of the ignition lead.



- 5.5 Replace with a new ignition lead following the same route as the old one.
5.6 Replace the valve cover and the pilot assembly.
5.7 Check operation of the new ignition lead.

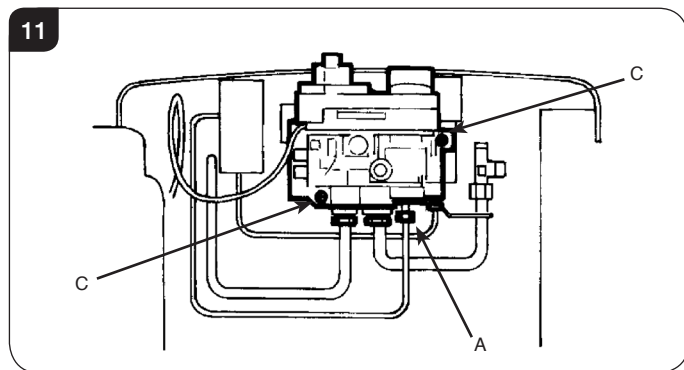
Servicing Instructions - Replacing Parts

6. Piezo

- 6.1 The piezo assembly used on this appliance is not serviceable and is unlikely to fail.
- 6.2 If a new piezo is required it will be necessary to change the valve, see Section 7.

7. Gas Valve

- 7.1 Turn off the gas supply at the isolation device.
- 7.2 Disconnect the 2 x 8mm and 1 x 4mm gas pipe fittings at the back of the gas valve.
- 7.3 Disconnect the thermocouple, see Diagram 11, Arrow A.



- 7.4 Remove the control valve cover and disconnect the ignition lead from the gas valve, see Section 5.
- 7.5 Undo the two bolts securing the gas valve to the appliance and remove the valve, see Diagram 11, Arrow C.
- 7.6 Replace in reverse order.
- 7.7 Check all joints for gas leaks and check operation of the thermocouple and ignition lead.

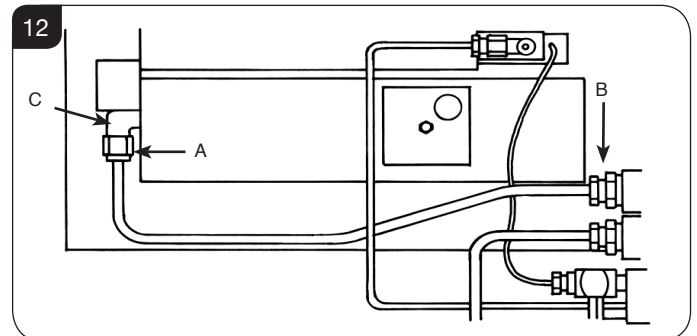
8. Magnetic Safety Valve

- 8.1 Turn the gas supply off at the isolation device.
- 8.2 Undo the thermocouple connection from the back of the gas valve.
- 8.3 Pull the sensor leads clear and remove the interrupter block.
- 8.4 Undo the magnetic valve retaining nut at the back of the control valve, see Diagram 11, Arrow A.
- 8.5 Gently tap out the magnetic valve and replace with a new unit.
- 8.6 Replace the retaining nut and tighten.
- 8.7 Reassemble the interrupter block and leads. Secure the thermocouple connection in the rear of the gas control. (Do not over tighten).
- 8.8 Turn the gas supply on and check the entire pipe work and valve joints for any leaks.

9. Main Injector

- 9.1 Turn the gas supply off at the isolation device.

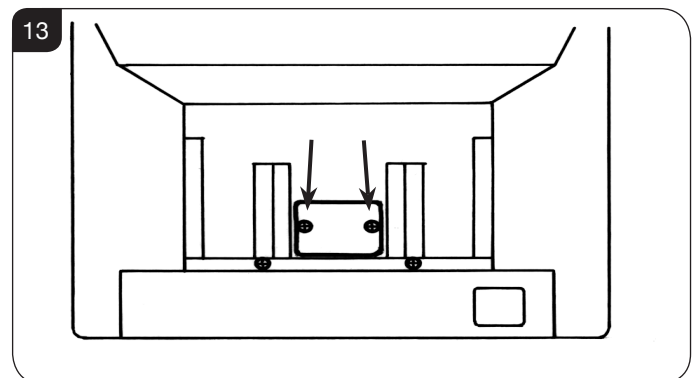
Ensure that the appliance is cold before commencing work.
- 9.2 Undo the compression nut from the injector (A) and loosen the compression nut (B) in the gas valve body. The pipe can now be positioned out of the way, screw the injector (C) out of the burner unit, see Diagram 12.



- 9.3 Reassemble in reverse order. **The injector must NOT be tightened into the burner but be allowed to float to enable it to line up with the pipe.**
- 9.4 Turn on the gas supply and check for leaks.

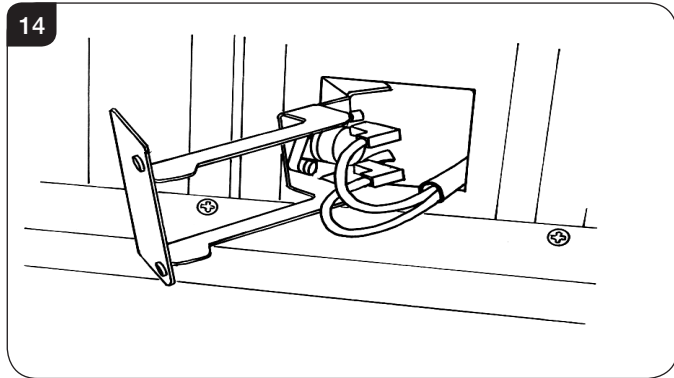
10. Flue Sure System

- 10.1 Open the door and remove the ceramics, placing them carefully to one side.
- 10.2 Undo the two screws in the back of the firebox and carefully withdraw the bracket, see Diagram 13.

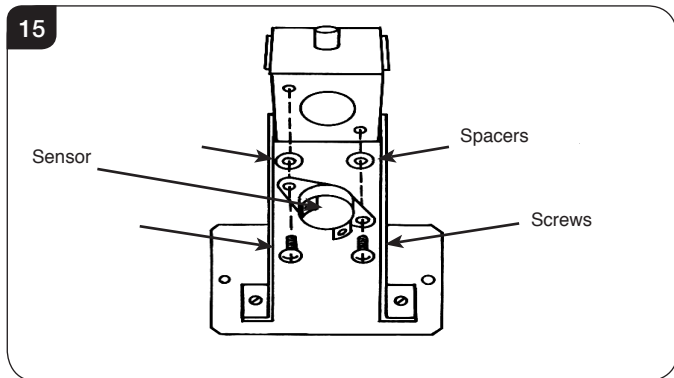


Servicing Instructions - Replacing Parts

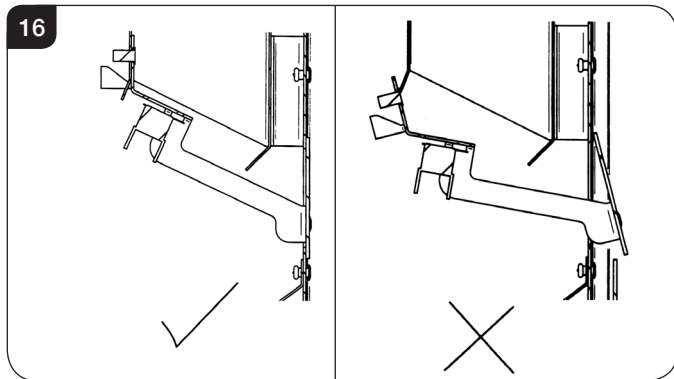
- 10.3 Disconnect the two sensor wires.
- 10.4 Undo the 2 retaining screws
- 10.5 Remove the sensor and the 2 plastic spacers, see Diagram 14.



- 10.6 Refit the new sensor ensuring that the plastic spacers are located between the bracket and the sensor.
- 10.7 Refit the leads, see Diagram 15.

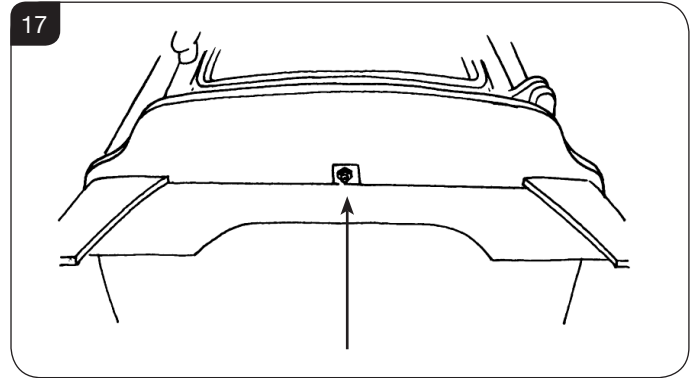


- 10.8 Feed the cable back through the hole as you replace the bracket.
When the bracket is located correctly it will sit flush with the back panel without force being required. If not positioned correctly the bracket will sit at an angle, see Diagram 16.

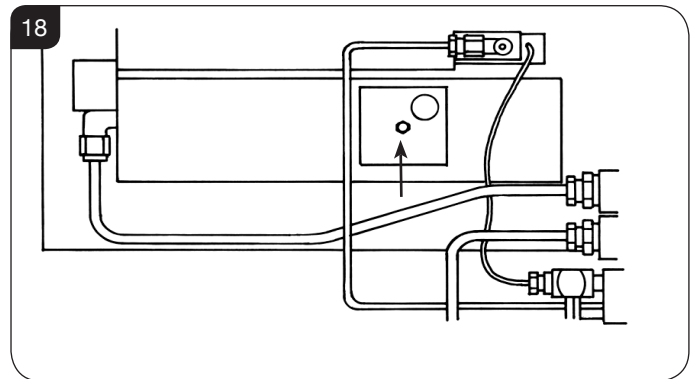


11. Primary Aeration Plate

- 11.1 Remove the cover plate from the bottom of the stove by undoing the 6mm bolt, see Diagram 17.



- 11.2 Undo the M5 nyloc nut from the bottom of the burner unit and remove the aeration plate, see Diagram 18.



- 11.3 Reassemble in reverse order with the correct aeration plate.

12. Changing Between Gas Types

In order to change between gas types, it will be necessary to change the following items:

- Pilot Injector
- Control Valve
- Injector
- Aeration Plate (if required)
- Data Badge

A kit of parts is available for this, always quote the Model number and Serial number when ordering any spare parts.

NOTE: THE CONTROL VALVE IS FACTORY PRESET FOR THE CORRECT GAS TYPE AND MODEL, A NEW UNIT WILL NEED TO BE ORDERED WHEN CHANGING BETWEEN GAS TYPES.

Servicing Instructions - Replacing Parts

13. Control Upgrade

See Installation Instructions, Section 2.

14. Short Spares List

| COMPONENT | NG | LPG |
|---|-----------|--------|
| | G20 | G31 |
| | 20mb | 37mb |
| MAIN INJECTOR | IN0001 | IN0054 |
| AERATION PLATE | ME4066 | ME4954 |
| PILOT INJECTOR | PI0036 | PI0037 |
| BURNER ASSEMBLY | B0214 | PB0214 |
| MAGNETIC UNIT | GC0166 | |
| ELECTRODE | PI0053 | |
| GAS VALVE | GC0088K** | |
| IGNITION LEAD | GC0090 | |
| FRONT COAL | CE0122 | |
| FLAME BAFFLE | CE0118 | |
| REAR PANEL | CE0135 | |
| COAL SET | CE0127 | |
| TTB SENSOR | EL0001 | |
| SENSOR LEAD | EL0064 | |
| INTERRUPTER | GC0026 | |
| STANDARD UPGRADE KIT | 8455 | |
| THERMO UPGRADE KIT | 8456 | |
| **Note: The control valve is factory preset for correct gas type and model. | | |

Service Records

1ST SERVICE

Date of Service
Next Service Due
Signed
Retailer's Stamp/Gas Safe Registration Number

3RD SERVICE

Date of Service
Next Service Due
Signed
Retailer's Stamp/Gas Safe Registration Number

5TH SERVICE

Date of Service
Next Service Due
Signed
Retailer's Stamp/Gas Safe Registration Number

7TH SERVICE

Date of Service
Next Service Due
Signed
Retailer's Stamp/Gas Safe Registration Number

9TH SERVICE

Date of Service
Next Service Due
Signed
Retailer's Stamp/Gas Safe Registration Number

2ND SERVICE

Date of Service
Next Service Due
Signed
Retailer's Stamp/Gas Safe Registration Number

4TH SERVICE

Date of Service
Next Service Due
Signed
Retailer's Stamp/Gas Safe Registration Number

6TH SERVICE

Date of Service
Next Service Due
Signed
Retailer's Stamp/Gas Safe Registration Number

8TH SERVICE

Date of Service
Next Due
Signed
Retailer's Stamp/Gas Safe Registration Number

10TH SERVICE

Date of Service
Next Service Due
Signed
Retailer's Stamp/Gas Safe Registration Number

Gazco Limited, Osprey Road, Sowton Industrial Estate, Exeter, Devon, England EX2 7JG
Technical Customer Services: (01392) 261950 Fax: (01392) 261951
E-mail: technicalservices@gazco.com

A member of the Stovax Group
E & O E