

Click anywhere on this page to
return to InspectAPedia.com
information on electric heaters,
radiators, radiator covers.

http://inspectapedia.com/heat/Heating_Radiators.htm

DeLonghi

PANNELLO ELETTRICO RADIANTE
ELECTRIC PANEL HEATER
PANNEAU RAYONNANT ÉLECTRIQUE
ELEKTRO-RADIATOREN
ELEKTRISCHE PANEELRADIATOR
PLACA ELECTRICA RADIANTE
PAINEL ELECTRICO RADIANTE
ΗΛΕΚΤΡΙΚΟ ΘΕΡΜΑΝΤΙΚΟ ΣΩΜΑ
ELEKTRISK RADIATOR
ELEKTRISK PANELOVN
ELRADIATOR
SAHKOKAYTTÖINEN LÄMPÖPATTERI
ELEKTROMOS LAPRADIATOR
ELEKTRYCZNY GRZEJNIK OLEJOWY
ЭЛЕКТРИЧЕСКАЯ ИЗЛУЧАЮЩАЯ ПАНЕЛЬ
ELEKTRICKY SALAVY PANEL
ELEKTRICNA GRIJALICA
PANELOVY ELEKTRICKY VYZAROVAČ TEPLA
ΕΛΕΚΤΡΙΚΕΣΚΙ ΙΖΛΥΧΒΑΨ ΠΑΝΕΛΕΝ
РАДИАТОР
ΠΑΝΟΥ ELECTRIC RADIANT

Istruzioni per l'uso
Instructions for use
mode d'emploi
Bedienungsanleitung
Gebruiksaanwijzingen
Instruções de utilização
Instruções de utilização
Οδηγίες χρήσης
Brugsvejledning
Bruksanvisning
Käyttöohjeet
Használati utasítás
Instrukcja obsługi
Инструкции по эксплуатации
Használati utasítás
Návod na použitie
Upute za uporabu
Návod km použití
Указания за употреба
Instruções de folosire

PC
ME 10

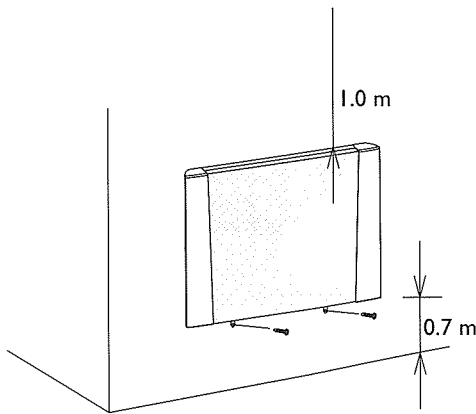


fig.1
Abb.1
εικ.1
rys. 1
obr. 1
صورة رقم 1

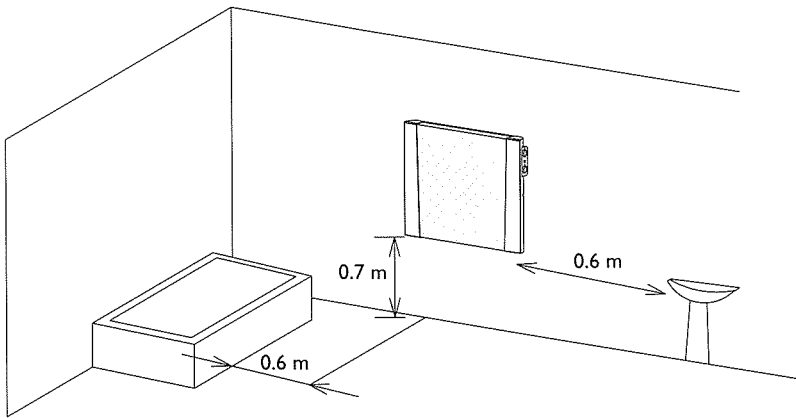


fig.2
Abb.2
εικ.2
rys. 2
obr. 2
صورة رقم 2

ELECTRICAL CONNECTION (U.K. ONLY)

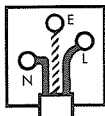
- A) If your appliance comes fitted with a plug, it will incorporate a 13 Amp fuse. If it does not fit your socket, the plug should be cut off from the mains lead, and an appropriate plug fitted, as below. **WARNING:** Very carefully dispose of the cut off plug after removing the fuse: do not insert in a 13 Amp socket elsewhere in the house as this could cause a shock hazard. With alternative plugs not incorporating a fuse, the circuit must be protected by a 15 Amp fuse. If the plug is a moulded-on type, the fuse cover must be re-fitted when changing the fuse using a 13 Amp Asta approved fuse to BS 1362. In the event of losing the fuse cover, the plug must NOT be used until a replacement fuse cover can be obtained from your nearest electrical dealer. The colour of the correct replacement fuse cover is that as marked on the base of the plug.
- B) If your appliance is not fitted with a plug, please follow the instructions provided below:

WARNING - THIS APPLIANCE MUST BE EARTHED


IMPORTANT

The wires in the mains lead are coloured in accordance with the following code:

Green and yellow	Earth
Blue	Neutral
Brown	Live



As the colours of the wires in the mains lead may not correspond with the coloured markings identifying the terminals in your plug, proceed as follows:

The green and yellow wire must be connected to the terminal in the plug marked with the letter E or the earth symbol  or coloured green or green and yellow.

The blue wire must be connected to the terminal marked with the letter N or coloured black.

The brown wire must be connected to the terminal marked with the letter L or coloured red.

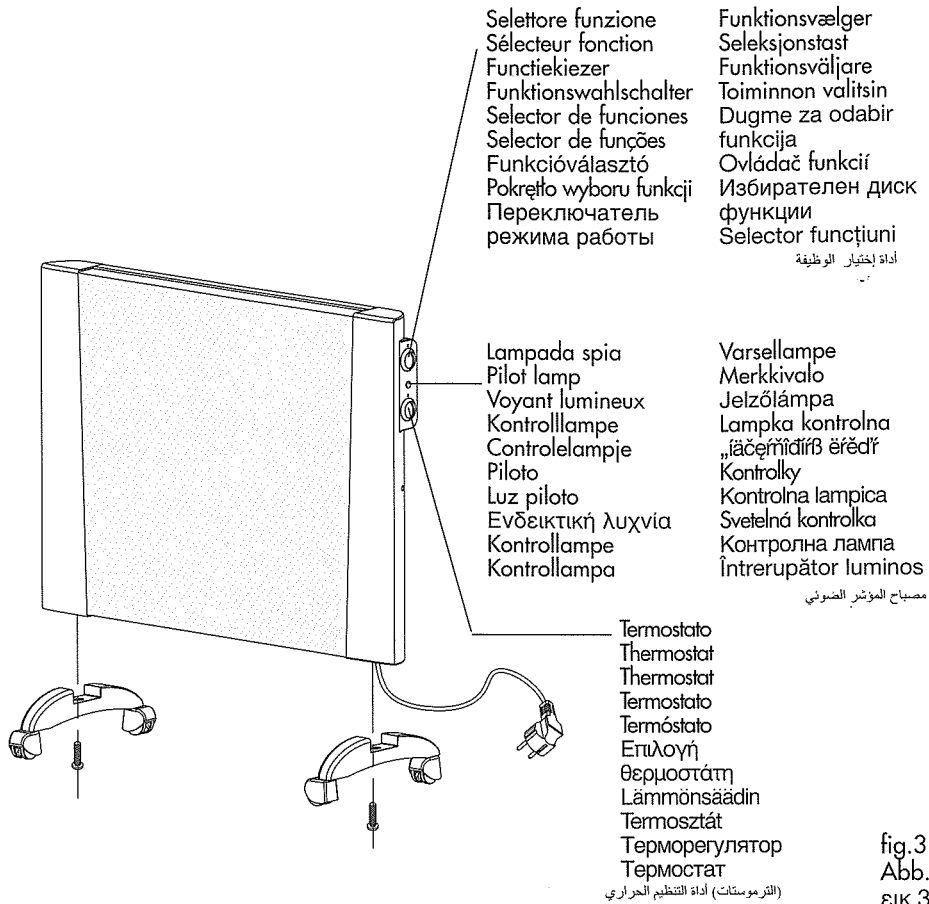


fig.3

Abb.3

εικ.3

rys. 3

obr. 3

صورة رقم 3

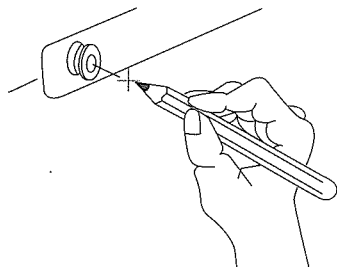


fig.4

Abb.4

εικ.4

rys. 4

obr.4

صورة رقم 4

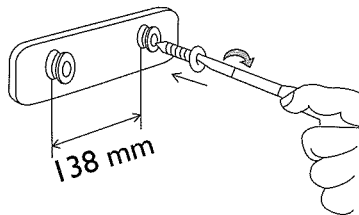


fig.5

Abb.5

εικ.5

rys. 5

obr. 5

صورة رقم 5

Thank you for choosing this De'Longhi heater. Please read this instruction booklet carefully before using this heater. By doing so, you will obtain optimum results with maximum safety.

1. General instructions

Remove the heater from the packaging. Check that neither the heater nor the power cable has been damaged during transport. Do not operate the heater if damaged. Your heater is suitable for either freestanding or wall mounting usage. Do not assemble the feet if wall mounting.

2. Electrical connection

- Before plugging the appliance into the mains, check that your supply voltage is the same as that shown on the rating plate of the appliance and that the electric installation is suitable to the power shown on the rating plate.
- If using more than one appliance at a time, it is important to ensure that the power supply is adequate to cope with the power requirements.
- This appliance complies with EEC Directive 89/336 relating to electromagnetic compatibility.

3. Free standing operation

To fit the feet to the appliance, proceed as follows:
Fix the foot with the relevant screws, as shown in fig.3.

4. Installation wall-mounting

To wall-mount, proceed as follows:

Drill holes in the wall, as shown in Fig.1, paying particular attention to the minimum distances indicated. When the appliance is used in bathroom, remember to position it outside the areas in which the presence of water may represent a source of danger (fig.2).

The wall mounting kit should contain:

1 support

4 x Screws

4 x Wall plugs ($\varnothing 6 \times 30$)

1. Select position for siting the heater ensuring that:

a. It is not located directly below a power socket outlet.

b. The plug and power outlet can be easily reached after installation.

c. No electric cables or other tubes could be damaged.

d. Keep away from curtains or inflammable materials. Also note the minimum undermentioned distances:

2. Before drilling the wall, mark out a template following carefully the dimensions as shown in fig.4.

3. For solid brick block walls, use a 6 mm masonry drill and drill according to the marks you have made and then insert the wall plugs provided.

(For plasterboard we suggest, locating the studding and using No 6 woodscrews directly into the wood, or special plasterboard fixings. For other wall types please seek specialist advice).

4. Fix the support by means of the the 2 screws provided. (fig.5).

5. Hang the heater on the support.

6. Mark out the 2 lower fixing points (see fig.1). Remove the appliance, drill the lower holes and insert the wall plugs. Now, you can hang the heater to the support and fix the lower part of the appliance with the 2 remaining screws.

5. Functioning and use. (Two power levels model)

- Turn the thermostat knob in a clockwise direction until it reaches the 6 setting.
- **Minimum power:** turn the function knob to setting 1 (the pilot light will come on).
- **Maximum power:** turn the function knob to setting 2.
- **Switching off:** turn the function knob to setting "0".

6. Functioning and use. (One power level models)

- Turn the thermostat knob in a clockwise direction until it reaches the 6 setting.
- Turn the function knob to setting 1 (the pilot light will come on).
- **Switching off:** turn the function knob to the "0" setting.

7. Adjusting the thermostat (both models)

The switches and thermostat should be maintained until the desired room temperature has been reached. Now move the thermostat back gradually until the red pilot lamps go out (or until you hear a 'click'). The thermostat can then remain at this setting.

8. Maintenance

Before carrying out any maintenance, unplug the heater from the mains and wait for it to cool. The heater requires no particular maintenance. It is sufficient to remove the dust with a soft, dry cloth. Never use abrasive powders or solvents. If necessary remove concentrated areas of dirt with a vacuum cleaner.

9. Warnings

- Do not use the heater in the vicinity of bathtubs, washbasins, showers or swimming pools.
- Never use the heater to dry laundry.
- Never place the power cable on top of the heater while it is hot.
- Only use the heater in an upright position.
- If the supply cord is damaged, it must be replaced by the manufacturer, its service agent or similarly qualified persons in order to avoid a hazard.
- We recommend that you not place the heater in a draught, because strong draughts of air may adversely affect the equipment's operational efficiency.
- **IMPORTANT:** Never for any reason cover the appliance during operation as this could lead to dangerous overheating.
- The use of an extension lead is not recommended, as overheating of the extension lead may occur during the operation of the heater.
- This appliance is filled with a precise quantity of oil and repairs which require it to be opened must be carried out exclusively by the manufacturer or an authorised service centre. In the case of oil leaks, contact the manufacturer or the authorised service centre.
- When scrapping the appliance, respect legislation on the disposal of oil.
- As with any electrical appliance, whilst the instructions aim to cover as many eventualities as possible, caution and common sense should be applied when operating your appliance, particularly in the vicinity of young children.
- Position the appliance so that the plug and the outlet can be easily reached even after installation.
- Do not use the appliance in rooms less than 4 m² in area.

The appliance is fitted with a tilt-switch which turns the appliance off if it should fall over.

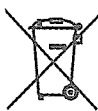
To restart the appliance, simply place it upright again.

The appliance is fitted with a **safety device** which will switch the appliance off in case of **accidental overheating**. To reset, disconnect the plug from the power socket for a few minutes, remove the cause of overheating then plug the appliance in again.



Important: never cover this appliance in any manner whatsoever while it is operating. To do so would cause a dangerous increase in the temperature of the appliance itself.

IMPORTANT INFORMATION FOR CORRECT DISPOSAL OF THE PRODUCT IN ACCORDANCE WITH EC DIRECTIVE 2002/96/EC.



At the end of its working life, the product must not be disposed of as urban waste.

It must be taken to a special local authority differentiated waste collection centre or to a dealer providing this service. Disposing of a household appliance separately avoids possible negative consequences for the environment and health deriving from inappropriate disposal and enables the constituent materials to be recovered to obtain significant savings in energy and resources. As a reminder of the need to dispose of household appliances separately, the product is marked with a crossed-out wheeled dustbin.