

Data sheet

Oil Nozzles Types AH, AS, AB and OD

Application

Oil nozzles type AH, AS, AB and OD are designed for residential high-pressure oil burners. AH, AS and AB are available with 4 different spray angles and sizes from 0.4 to 3 USgal/h. For other sizes, please request our standard OD program, which covers from 0.30 to 35 USgal/h. Nozzle sizes up through 1.75 USgal/h are equipped with sintered bronze filters. Larger sizes have monel strainers.

Features:

- Light and heavy oil
- CSA certified nozzles from 0.4 to 2.0 USgal/h
- 100% test of capacity and performance

Identification

The nozzles are marked with the following information (example shows type AH):



Stamped on the flats	
	Serial number for internal use
CSA	Certification marking
0.50	Capacity (USgal/h)
Specification point:	100 psi (7 bar), 37 SSU (3.4 cSt.), 6.84 lb/gal (820 kg/m ³)
60°	Spray angle
AH	Spray pattern: AH, OD-H = Hollow AS, OD-S = Solid AB, OD-B = Semi-solid

Technical Data

Program

For sizes available please refer to nozzle matrix in Product Overview, Oil Burner Nozzles Series - Brass. Please also refer to our program of Hago Steel Nozzles, Oil Burner Nozzles Series - Steel.

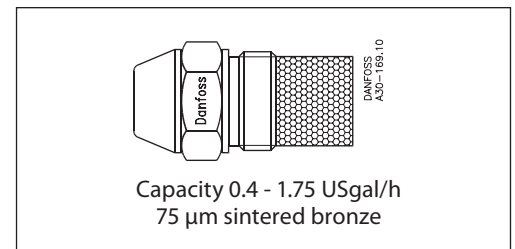
Recommended tightening torque

- 130 - 180 in-lbs (15 to 20 Nm)

Maximum tightening torque

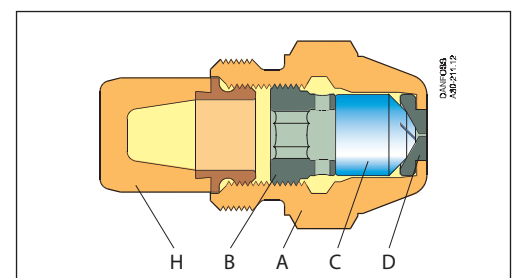
- 220 in-lbs (25 Nm)

Filters



Design

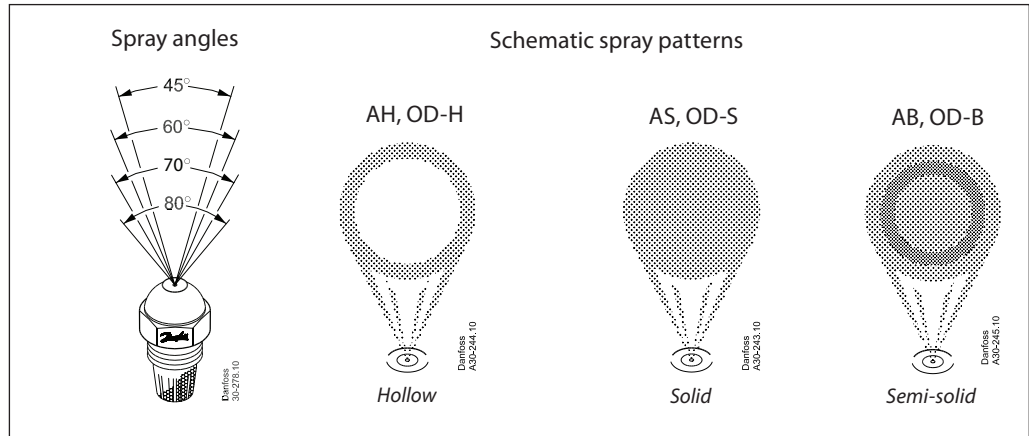
- A:** Nozzlehousing
- B:** Bottom screw
- C:** Nozzle cone
- D:** Orifice disc
- H:** Filter



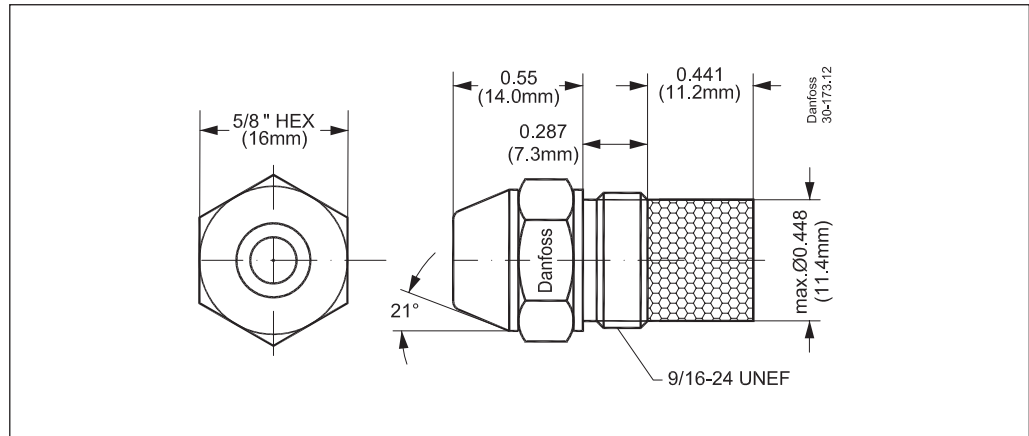
Data sheet

Oil Nozzles Types AH, AS, AB and OD

Spray angles/patterns



Dimensions



Additional documentation on burner components is available on <http://heating.danfoss.com/> or <https://store.danfoss.com/>

Danfoss A/S

Heating Segment • heating.danfoss.com • +45 7488 2222 • E-Mail: heating@danfoss.com

Danfoss can accept no responsibility for possible errors in catalogues, brochures and other printed material. Danfoss reserves the right to alter its products without notice. This also applies to products already on order provided that such alterations can be made without subsequential changes being necessary in specifications already agreed. All trademarks in this material are property of the respective companies. Danfoss and all Danfoss logotypes are trademarks of Danfoss A/S. All rights reserved.