

Data sheet

Brass Oil Nozzles Type AS, AH and AB

Application



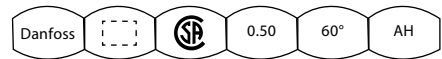
Oil nozzles type AH, AS, AB are designed for residential high-pressure oil burners. AH (Hollow), AS (Solid), and AB (Semi-solid) are available with 3 different spray angles and sizes from 0.40 to 2.00 GPH.

Features:

- Light and heavy oil
- CSA certified nozzles from 0.40 to 2.00 GPH
- 100% test of capacity and performance

Identification

The nozzles are marked with the following information (example shows type AH):



Stamped on the flats	
[]	Batch code for internal use
CSA	Certification marking
0.50	Reference capacity (GPH or USgal/h)
60°	Spray angle
AH	Spray pattern: AH = Hollow

Technical Data

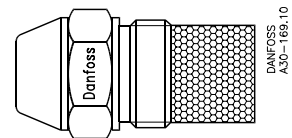
Program

For sizes available please refer to nozzle matrix on page 3.

Tightening Torque

- **Recommended:** 11 to 15 ft. lbf (15 to 20 Nm)
- **Maximum:** 18.5 ft. lbf (25 Nm)

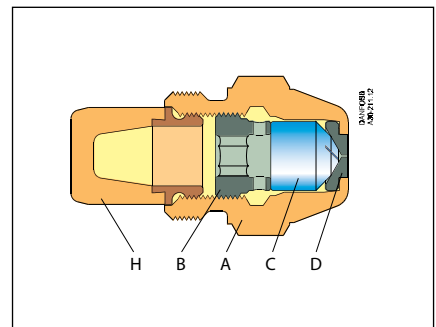
Filters



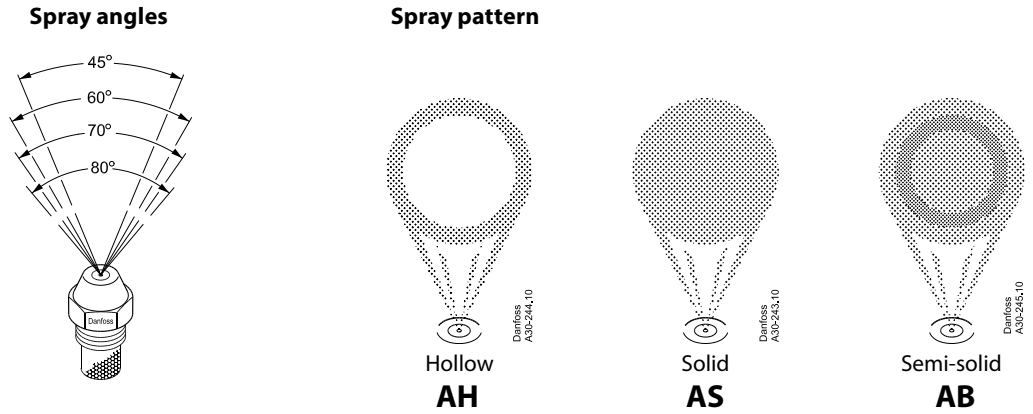
Capacity 0.40 – 2.00 GPH
75 µm sintered bronze filter

Design

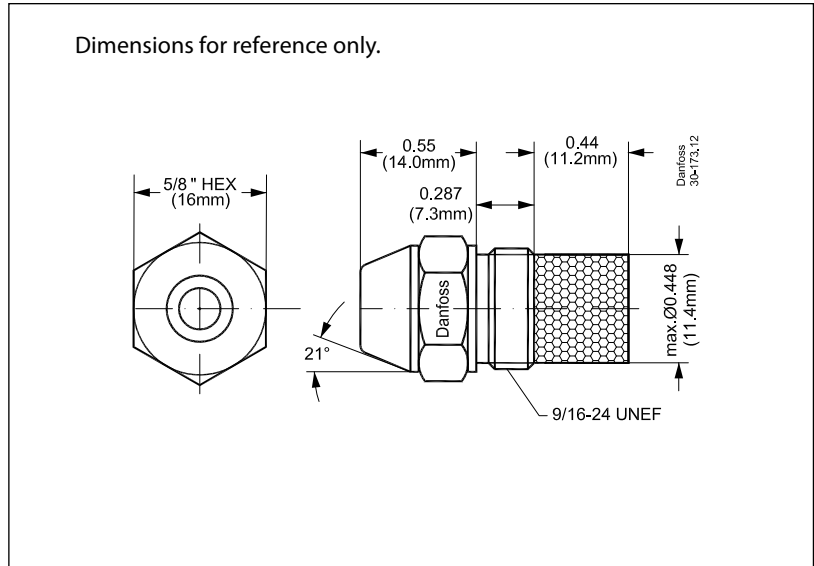
- A: Tip
- B: Locknut
- C: Disc
- D: Orifice disc
- H: Bronze filter or strainer



Design



Dimensions



Program: Brass Oil Nozzle Matrix

Reference Capacity (GPH)	AH - Hollow				AB - Semi-Solid			AS - Solid			
	60°	70°	80°	90°	45°	60°	80°	45°	60°	70°	80°
0.40			030H8504								
0.50	030H6508		030H8508						030F6508		030F8508
0.55			030H8510						030F6510		
0.60			030H8512	030H0512					030F6512		030F8512
0.65	030H6514		030H8514			030B5104	030B5204		030F6514	030F7514	030F8514
0.75	030H6516	030H7516	030H8516			030B5105	030B5205		030F6516	030F7516	030F8516
0.85	030H6518	030H7518	030H8518			030B5106	030B5206	030F4518	030F6518	030F7518	030F8518
1.00	030H6520	030H7520	030H8520			030B5107	030B5207		030F6520	030F7520	030F8520
1.10			030H8522			030B5108		030F4522	030F6522		030F8522
1.20									030F6523		030F8523
1.25			030H8524						030F6524		030F8524
2.00					030B5063			030F4532			

Danfoss

Toronto, ON/Baltimore, MD

Toll Free: 888-DANFOSS (326-3677) Option #3 for Heating

heating.danfoss.us

heating.cs.na@danfoss.com

Danfoss can accept no responsibility for possible errors in catalogues, brochures and other printed material. Danfoss reserves the right to alter its products without notice. This also applies to products already on order provided that such alterations can be made without subsequent changes being necessary in specifications already agreed. All trademarks in this material are property of the respective companies. Danfoss and the Danfoss logo are trademarks of Danfoss A/S. All rights reserved.