

Wi-Fi Enabled Room Thermostat / Thermostat d'ambiance Wi-Fi / Termostato WIFI para la estancia

# Bosch Control CT 100

Keep these instructions, with the serial number, in a safe place.

Conserver ces instructions, ainsi que le numéro de série, dans un lieu sûr.

Guardar estas instrucciones en un lugar seguro, incluyendo el número de serie.



**BOSCH**

[en] Installation and Operating manual . . . . . 2

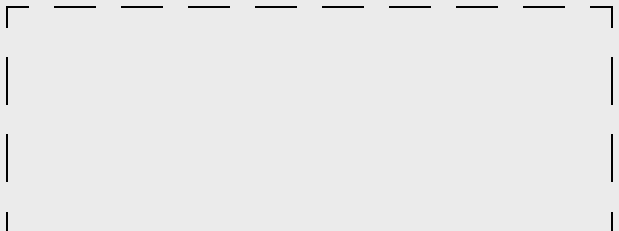
[fr] Notice d'installation et d'utilisation . . . . . 13

[es] Manual de instalación y de funcionamiento . . 24

6720816118 (2015/08) US/CA/MX



6720816118



## Table of Contents

<b>1</b>	<b>Key to symbols and safety instructions</b>	<b>2</b>
1.1	Key to symbols	2
1.2	Safety instructions	2
<b>2</b>	<b>Environment / disposal</b>	<b>3</b>
<b>3</b>	<b>Product information</b>	<b>3</b>
3.1	Scope of delivery	3
3.2	Warranty	3
3.3	Software version	3
3.4	Operating data	3
3.5	Data connection	3
3.6	Information	3
3.7	Touch screen	3
3.7.1	Proximity detection	3
3.7.2	Overview of the touch screen	4
<b>4</b>	<b>Installation</b>	<b>4</b>
4.1	Initial inspection	4
4.2	Choosing the installation location	5
4.3	Installation of the wall mounting plate	5
4.4	Connecting to the boiler	5
4.5	Installing/Removing the Bosch Control	6
4.6	Using for the first time	6
4.6.1	Software updates to the Bosch Control	6
4.6.2	Starting up the Bosch Control	6
4.6.3	Connecting to the Wi-Fi network and internet	6
4.6.4	Input Wi-Fi network password	7
<b>5</b>	<b>Operation</b>	<b>8</b>
5.1	Central Heating	8
5.1.1	Changing temperature setting	8
5.1.2	Manual mode/time program	9
5.2	Hot Water	9
5.2.1	Combi boilers	9
5.2.2	Temporarily adjusting the HW time program	9
5.2.3	Setting the HW permanently ON or OFF	9
<b>6</b>	<b>Specifications</b>	<b>10</b>
<b>7</b>	<b>Maintenance and troubleshooting</b>	<b>10</b>
7.1	Cleaning the touch screen	10
7.2	Change Wi-Fi network or new network password	10
7.3	Troubleshooting	10
7.3.1	After a power outage	10
7.3.2	Reset Bosch Control	10
7.3.3	Troubleshooting	11
<b>8</b>	<b>Warranty Bosch Control (CT 100)</b>	<b>12</b>

## 1 Key to symbols and safety instructions

### 1.1 Key to symbols

#### Warnings



Warnings in this document are identified by a warning triangle printed against a grey background.

Keywords at the start of a warning indicate the type and seriousness of the ensuing risk if measures to prevent the risk are not taken.

The following keywords are defined and can be used in this document:

- **NOTICE** indicates a situation that could result in damage to property or equipment.
- **CAUTION** indicates a situation that could result in minor to medium injury.
- **WARNING** indicates a situation that could result in severe injury or death.
- **DANGER** indicates a situation that will result in severe injury or death.

#### Important information



This symbol indicates important information where there is no risk to people or property.

#### Additional symbols

Symbol	Explanation
▶	Step in an action sequence
→	Cross-reference to another part of the document
•	List entry
–	List entry (second level)

Table 1

### 1.2 Safety instructions

The Bosch Control is intended for regulating the room temperature and boiler in your home.

- Never dismantle the Bosch Control.
- Avoid high temperatures, damp and a dusty environments.
- To prevent short circuits or damage to the Bosch Control: when cleaning, do not use water or cleaning agents (→ section 7.1).
- Before starting the installation of the Bosch Control, switch off the main power supply to the heat source.

## 2 Environment / disposal

Environmental protection is a fundamental corporate strategy of the Bosch Group. The quality of our products, their efficiency and environmental safety are all of equal importance to us and all environmental protection legislation and regulations are strictly observed. We use the best possible technology and materials for protecting the environment taking into account of economic considerations.

### Packaging

We participate in the recycling programs of the countries in which our products are sold to ensure optimum recycling. All of our packaging materials are environmentally friendly and can be recycled.

### Old electrical and electronic appliances



Electrical or electronic devices that are no longer serviceable must be collected separately and sent for environmentally compatible recycling.

To dispose of old electrical or electronic devices, you should use the return and collection systems put in place in the country concerned.

## 3 Product information

### 3.1 Scope of delivery

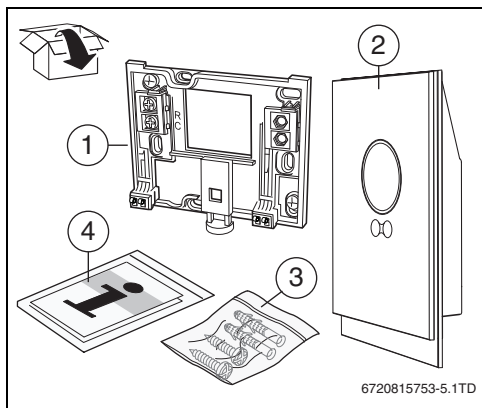


Fig. 1 Scope of delivery

- [1] Wall mounting plate
- [2] Bosch Control
- [3] Bag - screws (2 × ) and anchors (2 × )
- [4] Installation/Operating manual

### 3.2 Warranty

This product has a 3 year limited warranty.

See page 12 of this manual for further warranty information or visit [www.boschheatingandcooling.com](http://www.boschheatingandcooling.com).

### 3.3 Software version

When software upgrades are available, updates will be sent to the Bosch Control automatically via the Wi-Fi connection. After an update, the touch screen layout may vary from the image in this operating manual. The software version installed can be seen on the screen if the screen is locked for cleaning. The latest version of this document can be found in the App "info" pages.

### 3.4 Operating data

All data is stored in the Bosch Control, no consumption data is stored on an external server or on the Internet. This protects your privacy.

More information regarding legal and privacy information can be found in the App "info" pages.

### 3.5 Data connection

- The Bosch Control requires a Wi-Fi connection to your router.
  - The Bosch Control supports open Wi-Fi-connections and Wi-Fi-connections encrypted with WEP 128, WPA and WPA2 protocols.
  - WPA2 is the safest protocol and therefore has preference.
- The time setting of the Bosch Control is available via an external server. If the Bosch Control has not yet made a connection with this server, the Bosch Control can only be operated manually. Once the connection with the external server is created, the time on the Bosch Control is set.
- All the costs of creating a broadband Internet connection, the use of a smart device are your responsibility.
- The boiler type connected, determines which functions can be used.

### 3.6 Information

In the App in the "info" section, information can be found about legal and privacy information, frequently asked questions, what features are available on which boiler and links to help videos.

### 3.7 Touch screen

#### 3.7.1 Proximity detection

A proximity sensor detects a presence in front of the touch screen. This makes the touch screen light up. If nothing is detected, the touch screen will automatically go off. In the case of detection longer than 5 minutes, the touch screen automatical-

ly goes off. After this, the touch screen can only be activated again by touching.

### 3.7.2 Overview of the touch screen

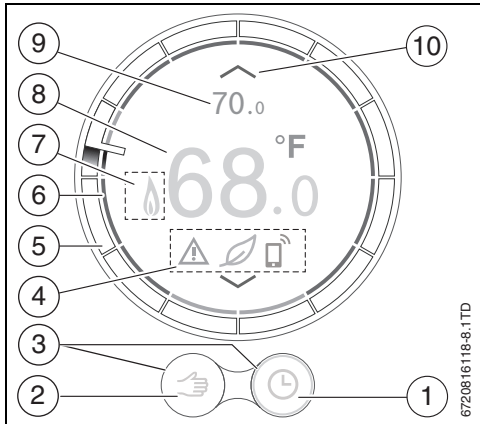


Fig. 2 Overview touch screen

No.	Symbol	Description
1		Time program
		Self-learning time program
		Confirm choice
		Vacation program active
		Sunday feature active
		Wi-Fi
2		Manual mode
		Back (return to the previous screen/function)
3		Active function
		Inactive function
4		Not connected to Internet server
		No Wi-Fi connection
		No boiler connected
		Eco-indication; temperature set is lower than the measured average.

Table 2 Description of symbols

No.	Symbol	Description
		Service question; information alert
		Error
		Last modification done via App or presence detection.
5		Time ring: ring is broken into one hour blocks with the current time indicated. The actions of the time program can be seen on the innermost ring. The color of the time block shows the action in the time program: <ul style="list-style-type: none"> <li>• Red indicates that the set temperature in the time program is higher than the previous time block</li> <li>• Blue indicates that the set temperature in the time program is lower than the previous time block.</li> </ul>
6		Temperature indication time program, when there is a fault, the ring is orange.
7		HW operation active; also visible during heating of the boiler.
		Boiler operating
8		Measured room temperature
9		Set room temperature; only visible if this is not the same as measured temperature.
10		Raise set temperature
		Lower set temperature

Table 2 Description of symbols

## 4 Installation

### 4.1 Initial inspection

- Before installation, check that your boiler and the Bosch Control are a compatible combination.

Visit our webpage at [www.boschheatingandcooling.com](http://www.boschheatingandcooling.com) for a list of compatible boilers.

The requirements for installation are:

- 2-wire EMS BUS connection between the boiler and the Bosch Control.
- Broadband Internet access via Wi-Fi 802.11 b/g if the App and Internet functionality are used.

## 4.2 Choosing the installation location



A reference room is an area (for example the living room) in which the temperature is measured, which is representative of the whole home and where the most time is spent.

### Installation in the reference room

- ▶ Mount the Bosch Control to an interior wall in the reference room. Ensure there is sufficient free space around the Bosch Control.

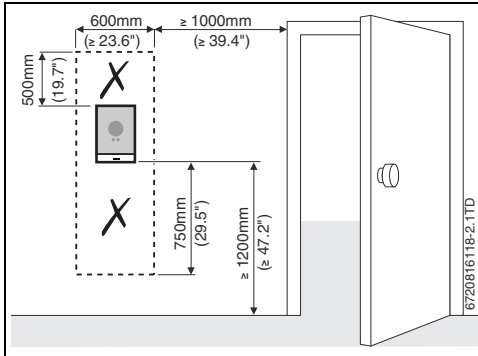


Fig. 3 Bosch Control installation - free space required

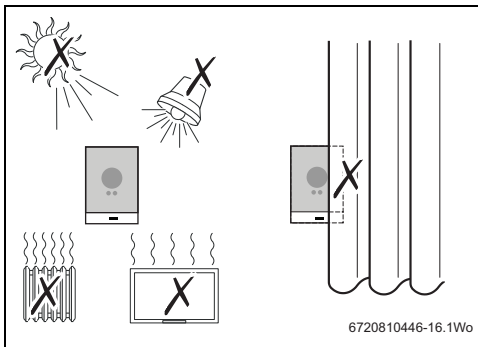


Fig. 4 Bosch Control installation considerations

## 4.3 Installation of the wall mounting plate



**CAUTION:** Bosch Control connection. EMS BUS connections only.

- ▶ Do not connect the Bosch Control to the boiler main power supply connection.

The wall mounting plate can be installed directly onto the wall, for example, in the location of the previous controller.



Ensure when installing on a junction box, that draughts cannot affect the measurement of the room temperature.

If necessary, fill the junction box with insulation material.

- ▶ Connect the 2-wire thermostat cable (EMS BUS) to the terminals on the wall plate. The connections are not polarity sensitive.

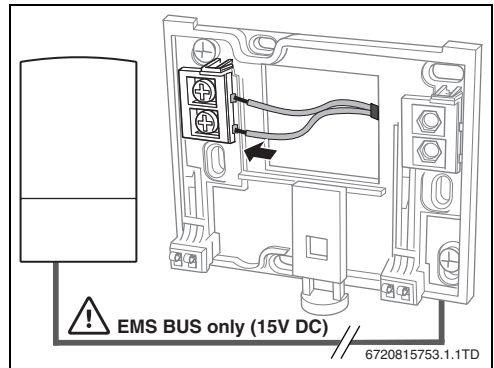


Fig. 5 Connecting the wall plate

## 4.4 Connecting to the boiler



**CAUTION:** Damage of the Bosch Control.

- ▶ Under no circumstances must the Bosch Control be connected to the boiler's 120 volt connections or external 120 volt supply.



See the installation instructions of the boiler for more information on where to find boiler connections.

The Bosch Control connects to your boiler's EMS BUS connections only.

## 4.5 Installing/Removing the Bosch Control

### Installing

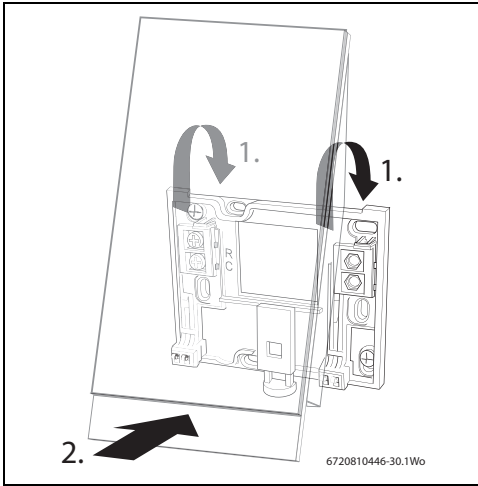


Fig. 6 Installing the Bosch Control

- ▶ Hook the Bosch Control to the back of the wall plate [1].
- ▶ Press the bottom of the Bosch Control against the wall plate until you hear a “click” [2]. The Bosch Control is now locked.

### Removing

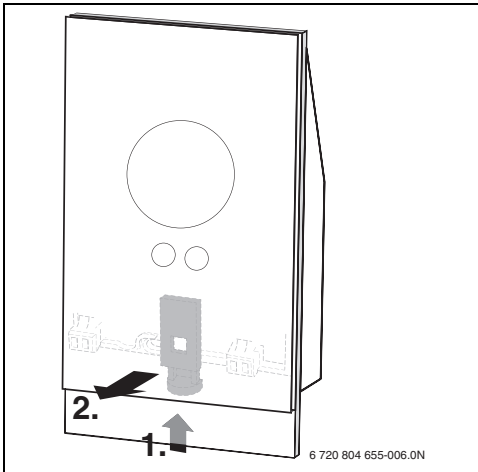


Fig. 7 Removing the Bosch Control

- ▶ Unlock the Bosch Control by pressing the unlock button [1] under the front edge.
- ▶ Tilt the bottom of the Bosch Control up and remove it [2].

## 4.6 Using for the first time

### 4.6.1 Software updates to the Bosch Control

The software is updated automatically, over your internet connection. Straight out of the box the Bosch Control may not have the latest software installed, as a result, the full App functionality may not yet be supported. The installed software version can be checked on the cleaning screen (→ section 7.1, page 10).

### 4.6.2 Starting up the Bosch Control

- ▶ Turn on the boiler, this provides power to the Bosch Control.
- ▶ Remove the plastic screen protector.

The Bosch Control and boiler will connect automatically (→ fig. 8):

- During the connection phase, the boiler, Wi-Fi and internet connection icons are present.
- The Bosch Control establishes a connection with the boiler (shown by a check mark [2] next to the boiler connection icon [1]).

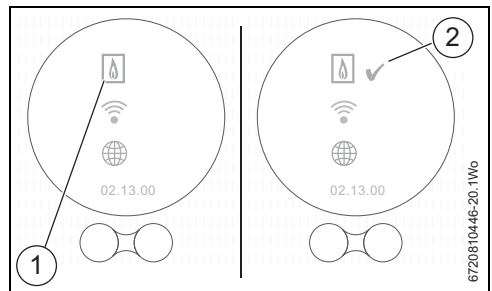


Fig. 8 Connection with the boiler

### 4.6.3 Connecting to the Wi-Fi network and internet



The Bosch Control can only connect to “visible” networks. If the network that the Bosch Control has to connect to is a “hidden network”, this will have to be made “visible”. After connection is made, the relevant network may be “hidden” again.

- Once connected to the boiler, the Bosch Control will automatically look for Wi-Fi networks [1] (→ fig. 9).
- The Wi-Fi networks possibilities are displayed [2].

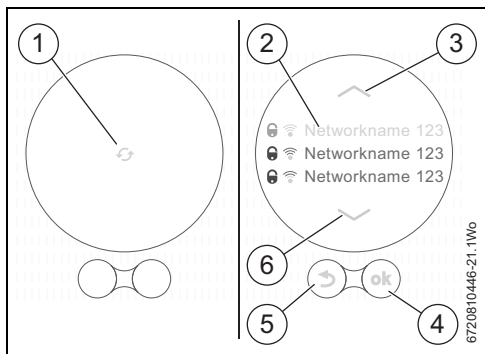
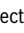


Fig. 9 Selecting Wi-Fi network

- [1] Searching for networks
- [2] Network names
- [3] Up arrow key
- [4] OK (confirmation) key
- [5] Back key
- [6] Down arrow key

The display [2] shows the Wi-Fi networks found.


- ▶ Select the required Wi-Fi network.
- ▶ Press the  key [4] to activate the selected Wi-Fi network.

Protected Wi-Fi networks are recognised by a padlock.

If the Wi-Fi network is password-protected:

- ▶ Input the Wi-Fi network password (→ section 4.6.4).

If the required Wi-Fi network is not found:

- ▶ Press the “back” key [5] to set the Bosch Control to the off-line mode.  
Now the temperature can only be set manually on the screen.
- ▶ Connection to the App or Bosch Control web-site is not possible.
- ▶ Press the  key [4] to search again.



See section 7.3.3, page 11 for troubleshooting guide.

#### 4.6.4 Input Wi-Fi network password



The Bosch Control uses the standard Wi-Fi protocol, do not use any \$-signs in your Wi-Fi router password.

- ▶ If necessary, remove the \$ sign from your router password.



Connecting and synchronising can take some time.

- ▶ Input the Wi-Fi network password (→ fig. 10).
- The password is entered with the keys [4].
- Use the shift key [3] to enter capital letters.
- Special punctuation symbols can be entered using the key [6].
- Each key [4] has several character options. By repeatedly pressing this key, the required character will appear on the entry line [7].
- An incorrectly entered character can be deleted with the “back”-key [5].
- ▶ Once the correct password has been entered, confirm the by pressing the “ok” key - [1].

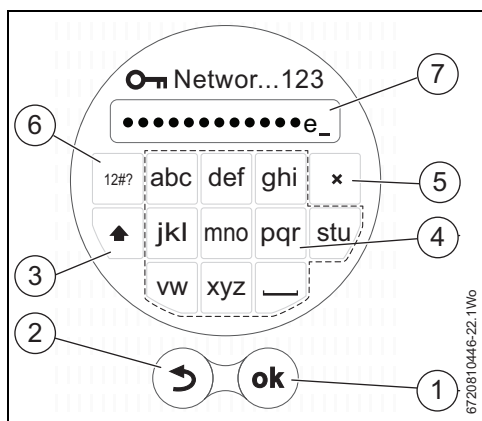


Fig. 10 Input Wi-Fi network password

#### Connecting to Wi-Fi network and internet

- Firstly, connection with the Wi-Fi-network [1] is made, confirmed with a check mark (→ fig. 11).
- Secondly, connection to Internet [2] is made, confirmed with a check mark.

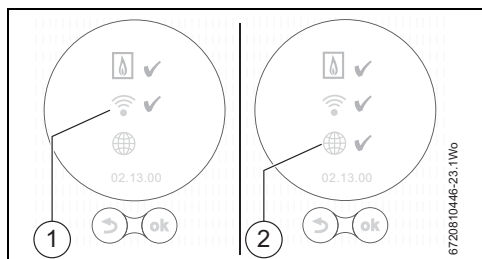


Fig. 11 Connecting to the Wi-Fi network and internet



Problem with making the connections?  
Refer to the Troubleshooting guide on page 11

- If all connections are made, the data is synchronised.
- The display will now show the basic screen.

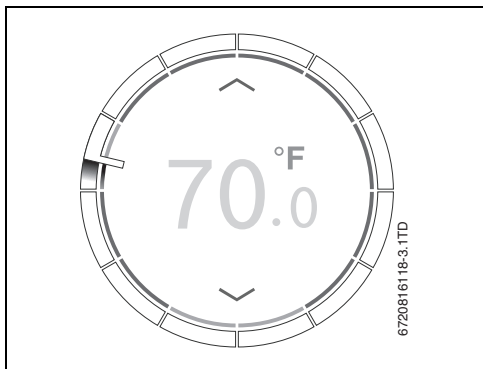


Fig. 12 Basic screen



In the App store the Bosch Control application is found in the iPhone section of the store, but can be installed on an iPhone or iPad.

- ▶ Download the Bosch Control App to your smart device from either:



- ▶ Install the Bosch Control App onto your smart device
- ▶ Make a connection to the Bosch Control from your smart device
- ▶ Register the App with the Bosch Control website.
- ▶ Enter the unique access code (→ label on the front page).
- ▶ Set a personal password, of your choice, and record this on the front of these operating instructions.

## 5 Operation

The touch screen is intended for limited manual operation, for all other operations and programming the Bosch Control App on your smart device must be used.

### 5.1 Central Heating

#### 5.1.1 Changing temperature setting

The touch screen lights up when approached. Changing the temperature may be done in the following 3 ways.

#### Swipe

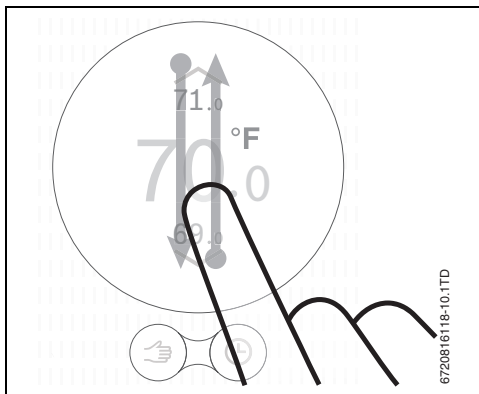


Fig. 13 Swipe

- ▶ Swipe down or up to change the temperature to change the temperature by 1 degree.

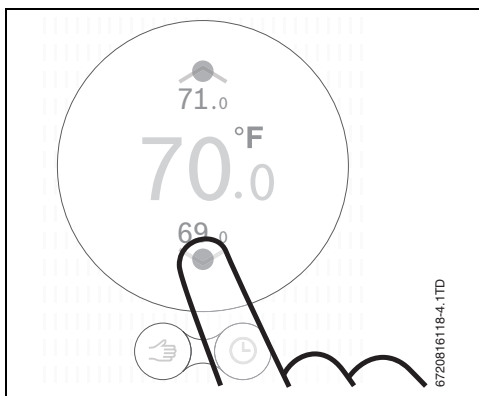


Fig. 14 Tap

- ▶ Tap above or below the temperature shown to change the temperature by 0.5 degree.



### Hold (Long press)

- ▶ Press and hold an up or down key to change the displayed temperature quickly.

#### 5.1.2 Manual mode/time program

The time program can only be set using the App on your smart device.

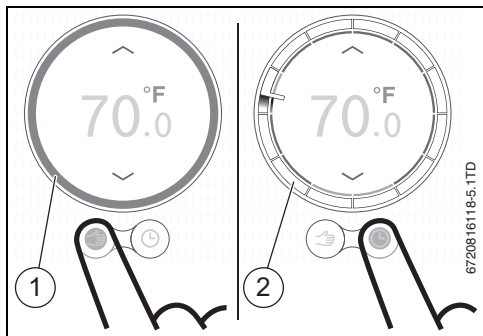


Fig. 15 Choose manual mode/time program

- [1] Manual mode icon
- [2] Time mode icon

- ▶ Briefly press the manual mode or time program icon to switch between these functions.

## 5.2 Hot Water

### 5.2.1 Combi boilers

The boiler preheat function must be enabled to allow the Bosch Control to take control of your hot water.

Refer to your combi boiler user guide to enable the preheat function, i.e. turn the ECO function off.

For combi boilers the hot water screens are only accessible when the hot water control is enabled by you in the App.

### 5.2.2 Temporarily adjusting the HW time program

Tap the “Time program” icon twice to enter the HW timed function, tap either the “HW timed” icon to switch the hot water ON until the next time period or “HW not timed” icon to switch the hot water OFF until the next time period.

Tap the “back” icon to return to the normal screen.

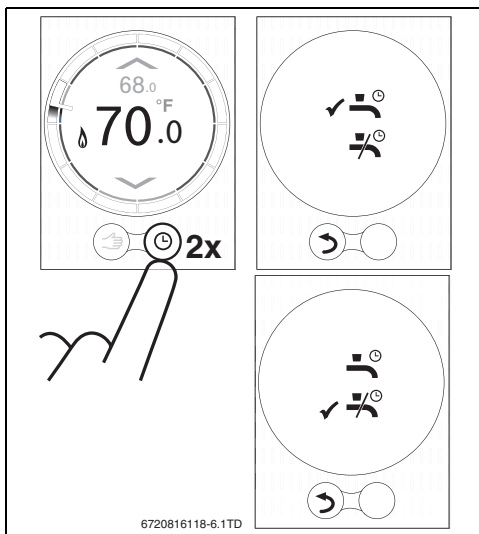


Fig. 16 Hot water screens

### 5.2.3 Setting the HW permanently ON or OFF

Tap the “manual” (hand) icon twice to enter the function, tap either the HW icon for permanently ON or the “no HW” icon for permanently OFF.

Tap the “back” icon to return to the normal screen.

Hot water will now remain permanently in this selected state until the “Time program” icon is selected.

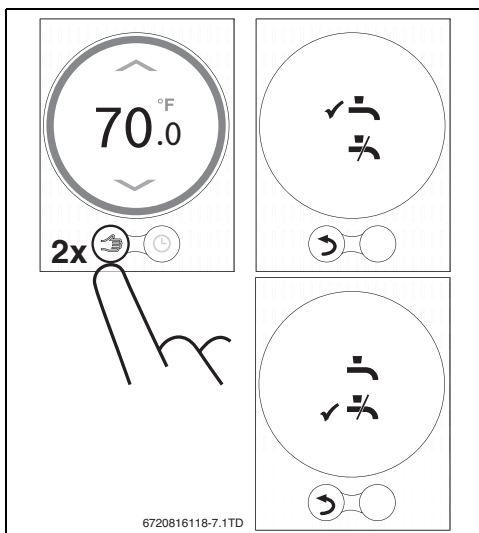


Fig. 17 Permanently ON or OFF

## 6 Specifications

Description	Unit	Value
<b>Voltage supply</b>	VDC	14.3 to 16.0
<b>Consumption (maximum)</b>	W	0.9
<b>Dimensions (L x W x H)</b>	inch	4 x 6.7 x 1
	mm	100 x 145 x 27
<b>Weight</b>	lbs	0.55
	g	250
<b>Permissible operating temp.</b>	°F	32 to 113
	°C	0 to 45
<b>Permissible relative humidity</b>	%	10 to 90
<b>Connection (Wi-Fi)</b>		802.11 b/g

Table 3 Specifications

## 7 Maintenance and troubleshooting

### 7.1 Cleaning the touch screen

- ▶ Swipe from left to right to lock the touch screen.  
The screen is now locked and the installed software version is displayed on the screen.

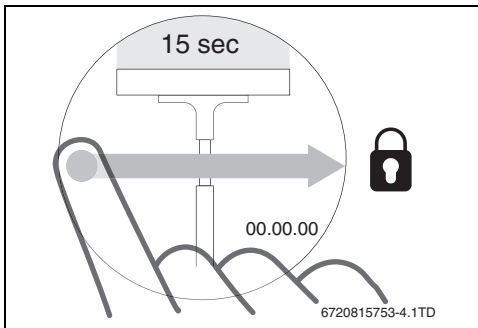


Fig. 18 Touch screen protection

- ▶ Clean the touch screen within 15 seconds with a clean, dry cloth.

### 7.2 Change Wi-Fi network or new network password

To connect the Bosch Control to a new Wi-Fi network or if the existing network has a new password:

- ▶ Reset the Bosch Control (→ section 7.3.2).
- ▶ Follow the step to set a Wi-Fi network (→ section 4.6.3).

## 7.3 Troubleshooting



Fault messages from the boiler are visible on the display and are sent automatically from the Bosch Control to the App.

### 7.3.1 After a power outage

All settings are saved during a power outage. After the connection is re-established with the Wi-Fi network, the settings will be synchronised with the external server.

- ▶ Check the date and time setting.

If a connection cannot be made with the internet, the date and time settings can be applied through the local Wi-Fi network with the App from a smart device. Date and time are automatically synchronised.

### 7.3.2 Reset Bosch Control

If the Bosch Control no longer works properly, it can be disconnected briefly from the wall plate and then re-attached (→ fig. 7, page 6).

If this does not solve the problem, with the Bosch Control mounted on the wall, the reset key (→ fig. 19) can be pressed for a few seconds to remove the fault. If the fault occurs again, then contact your installer or the Bosch Thermotechnology Corp. Technical Support team.



Reset!

Using the reset key deletes all personal settings and the Wi-Fi connection has to be set up again.

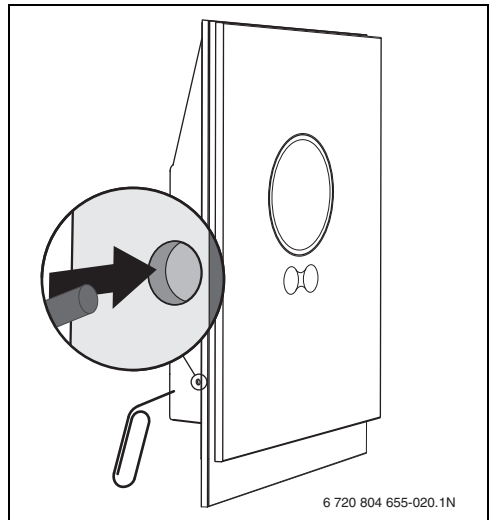


Fig. 19 Reset

### 7.3.3 Troubleshooting

A full list of frequently asked questions is available in the App "info" pages.






Error	Remedy
 <b>No Wi-Fi connection</b>	The Wi-Fi signal from the Wi-Fi router is possibly not strong enough. Contact Wi-Fi provider, or consider Wi-Fi repeater in some situations. Only compatible with "b" and "g" routers.
<b>Wi-Fi network not found</b>	Hide function of the Wi-Fi-router is possibly switched on or broadcast function (transmitting the SSID) is switched off. Temporarily switch the hide-function off or broadcast-function on.
 <b>This display remains on</b>	Wi-Fi network is possibly protected with "WEP64" protocol. This protocol is not supported. Change the safety protocol of the router (→ router manual).
<b>IP-address</b>	There is no IP-address allocated by the router yet. This can take some time. It may be necessary to manually allocate an IP-address in the router (→ router manual).
<b>New router or Wi-Fi network installed</b>	Remove the Bosch Control from the wall plate, wait 10 seconds and then click the Bosch Control back onto the wall plate. All Wi-Fi networks found are shown on the display (→ section 4.6.3).
<b>Time ring on the Bosch Control not shown</b>	Connection to the server is broken. Wait until the connection is restored.
<b>Serial number and access code missing</b>	The serial number and the access code are both on the label on the front of these instructions and also on the label on the back of the Bosch Control. If an App is used to log in, the serial number and the access code can be shown in the App by going via the "Info" menu to the submenu "product information". If the serial number and the access code cannot be found, then contact the installer/ Bosch Thermotechnology Corp. Technical Support.
<b>App cannot connect to the Bosch Control</b>	Is the Bosch Control connected to the Internet (→section 4.6.3)? Are the serial number and the access code input correctly? Please note, these are case-sensitive. There is possibly a delay in establishing the connection. Wait for a few minutes.
<b>Touch screen locked, timer counting down</b>	A horizontal swipe across the display makes the touch screen inactive. The touch screen is the locked for 15 seconds to be cleaned. The touch screen may be locked in the App, check the App and unlock if necessary.
<b>Temperature displayed is too high or too low</b>	In the App, the temperature shown can be calibrated.
<b>Touch screen will not come on</b>	If there is detection for longer than 5 minutes, the screen goes off automatically. After this, the screen can only be activated again by touching.
 <b>Symbol visible on the screen</b>	There is no connection to the Internet server, wait until the connection to the Internet server is restored automatically. Once started, the boiler can only be controlled manually, no time program is available.
<b>Password with \$ signs</b>	The Bosch Control uses the standard Wi-Fi protocol, so it is not possible to use a \$-sign in the Wi-Fi router password. Remove the \$ sign from the router password.
 <b>stays on</b>	Symbol disappears when the temperature is changed via the display or when the next switching point is reached in the time program mode.
<b>No full App functionality.</b>	Straight out of the box, the latest software version may not be installed on the Bosch Control, as a result functionality may not yet be supported by the Bosch Control. The software is updated automatically.
 <b>Symbol visible on the screen</b>	Indication of one of the following messages: repeated ignition attempts, boiler gives maintenance message. This relates to an information signal. The boiler runs normally.
<b>No software updates received in the Bosch Control</b>	The software is updated automatically and a continuous Internet connection is required for this. If the router is not on continually, updates may be missed.

Table 4 Troubleshooting list

## 8 Warranty Bosch Control

### Bosch Control room thermostat

#### Limited warranty

##### MODELS COVERED

This limited warranty is provided by Bosch Thermotechnology Corp. ("Bosch") and covers the Bosch Control, smart room thermostat (hereinafter referred to as "Product"). This warranty is provided to the original purchaser of the Product as long as the Product remains installed at its original place of installation.

##### WARRANTY COVERAGE

#### Limited Warranty

Bosch warrants that the product will remain free from defects in material and workmanship (3) years from the date of original installation or from the date of manufacture if proof of installation is not available, provided it is installed and properly maintained by a qualified service contractor and the other conditions of this warranty are met. If Bosch determines that the product has a defect in workmanship or materials, Bosch, at its option, will repair or replace the defective part.

##### ITEMS NOT COVERED

This limited warranty does not cover the following circumstances:

1. Components or parts not provided by Bosch.
2. Serviceable items and normal maintenance as required per the Installation Manual.
3. Components or parts on which the tags or nameplates have been removed, altered or defaced.
4. Scratches in or discoloration of finishes.
5. The workmanship of any installer. Bosch disclaims and does not assume any liability of any nature for unsatisfactory performance caused by improper installation, repair or maintenance.
6. Any labor or material costs for removal, reinstallation, repair and replacement of the defective component.
7. Electricity or fuel costs, or any increases or unrealized savings in same, for any reason whatsoever.
8. Damage caused by operation of the Product in a corrosive atmosphere, scale deposits and/or highly mineralized or un-softened water supply, electrical failures, water impurities, flooding or acts of God.
9. Damage caused by any attachment or modification to the Product, including any energy saving device.
10. Damage caused by Product not being installed in accordance with all applicable state and local plumbing and/or building codes and regulations.
11. Shipping charges, delivery expenses or administrative fees incurred by the purchaser in repairing or replacing the Product.

##### LIMITED WARRANTY

OTHER THAN THE OBLIGATIONS OF BOSCH EXPRESSLY SET FORTH HEREIN, BOSCH DISCLAIMS ALL WARRANTIES, EXPRESS OR IMPLIED, INCLUDING BUT NOT LIMITED TO ANY IMPLIED WARRANTIES OF MERCHANTABILITY OR FITNESS FOR A PARTICULAR PURPOSE. BOSCH'S SOLE OBLIGATION WITH RESPECT TO THE PRODUCT AND PURCHASER'S EXCLUSIVE REMEDIES ARE SET FORTH IN THE FOREGOING LIMITED WARRANTY. BOSCH SHALL NOT BE LIABLE FOR ANY INDIRECT, PUNITIVE, INCIDENTAL, SPECIAL, CONSEQUENTIAL OR SIMILAR DAMAGES INCLUDING, WITHOUT LIMITATION, INJURY OR DAMAGE TO PERSONS OR PROPERTY OR DAMAGES FOR LOSS OF USE, LOST PROFITS, INCONVENIENCE OR LOSS OF TIME. NOTE THAT ANY REPAIRED OR REPLACED PRODUCT WILL BE WARRANTED FOR ONLY THE UNEXPIRED TERM OF THE ORIGINAL WARRANTY.

Some states do not allow the exclusion of limitation of damages, or limitations on how long an implied warranty lasts, so the above limitations and exclusions may not apply to you.

##### WARRANTY CLAIMS PROCESS

If you have a warranty claim you should notify the heating contractor who installed your Product and ask that the contractor notify the distributor from whom the contractor purchased the Product. If this action is not possible or you don't receive a response, contact Bosch Thermotechnology Corp., 50 Wentworth Avenue, Londonderry, NH 03053. To process your claim, you will need a copy of your original invoice or other proof of purchase and documentation showing the original installation date and location. The alleged defective product must be returned to BTC in accordance with BTC procedure then in force for handling goods returned for the purpose of inspection to determine cause of failure (contact BTC if you have questions regarding the return process). If BTC determines that the returned product is defective and that this warranty applies, BTC will furnish the repaired or replacement product to an authorized BTC distributor who, in turn, will forward the product to the heating contractor who installed your Product.

This Warranty applies to Bosch Products installed in the Continental United States and Canada only.

## Sommaire

<b>1</b>	<b>Explication des symboles et mesures de sécurité</b>	<b>13</b>
1.1	Explication des symboles	13
1.2	Consignes de sécurité	13
<b>2</b>	<b>Protection de l'environnement / Recyclage</b>	<b>14</b>
<b>3</b>	<b>Informations sur le produit</b>	<b>14</b>
3.1	Pièces fournies	14
3.2	Garantie	14
3.3	Version logicielle	14
3.4	Données de fonctionnement	14
3.5	Connexion de données	14
3.6	Informations	14
3.7	Ecran tactile	15
3.7.1	Détection de proximité	15
3.7.2	Vue d'ensemble de l'écran tactile	15
<b>4</b>	<b>Installation</b>	<b>15</b>
4.1	Révision initiale	15
4.2	Choix de l'emplacement d'installation	16
4.3	Installation du support de montage mural	16
4.4	Connexion à la chaudière	16
4.5	Mise en place/retrait du Bosch Control	17
4.6	Première utilisation	17
4.6.1	Mises à jour logicielles du Bosch Control	17
4.6.2	Démarrage du Bosch Control	17
4.6.3	Connexion au réseau Wi-Fi et à Internet	17
4.6.4	Saisie du mot de passe du réseau Wi-Fi	18
<b>5</b>	<b>Opérations</b>	<b>19</b>
5.1	Chauffage central	19
5.1.1	Modification du réglage de température	19
5.1.2	Mode manuel/Programmation horaire	19
5.2	Eau chaude	20
5.2.1	Chaudières à deux services (chauffage et eau chaude)	20
5.2.2	Réglage temporaire du programme horaire pour l'eau chaude	20
5.2.3	Activation ou désactivation permanente de l'eau chaude	20
<b>6</b>	<b>Caractéristiques</b>	<b>21</b>
<b>7</b>	<b>Entretien et élimination des défauts</b>	<b>21</b>
7.1	Nettoyage de l'écran tactile	21
7.2	Nouveau réseau Wi-Fi ou mot de passe	21
7.3	Élimination des défauts	21
7.3.1	Coupure de courant	21
7.3.2	Remise à zéro du Bosch Control	21
7.3.3	Élimination des défauts	22
<b>8</b>	<b>Garantie Bosch Control (CT 100)</b>	<b>23</b>

## 1 Explication des symboles et mesures de sécurité

### 1.1 Explication des symboles

#### Avertissements



Les avertissements sont indiqués dans le texte par un triangle de signalisation.

En outre, les mots de signalement caractérisent le type et l'importance des conséquences éventuelles si les mesures nécessaires pour éviter le danger ne sont pas respectées.

Les mots de signalement suivants sont définis et peuvent être utilisés dans le présent document :

- **AVIS** signale le risque de dégâts matériels.
- **PRUDENCE** signale le risque d'accidents corporels légers à moyens.
- **AVERTISSEMENT** signale le risque d'accidents corporels graves à mortels.
- **DANGER** signale la survenue d'accidents mortels en cas de non respect.

#### Informations importantes



Les informations importantes ne concernant pas de situations à risques pour l'homme ou le matériel sont signalées par le symbole ci-contre.

#### Autres symboles

Symbole	Signification
▶	Étape à suivre
→	Renvois à un autre passage dans le document
•	Énumération/Enregistrement dans la liste
–	Énumération/Enregistrement dans la liste (2e niveau)

Tabl. 1

### 1.2 Consignes de sécurité

Le Bosch Control est destiné à la régulation de la chaudière de votre maison.

- Ne jamais démonter le Bosch Control.
- Éviter les environnements sous haute température, humides ou poussiéreux.
- Afin d'éviter tout court-circuit et endommagement du Bosch Control : ne pas utiliser d'eau ou d'agent nettoyant pour le nettoyage (→ section 7.1).
- Avant de démarrer l'installation du Bosch Control, couper la tension de réseau de la chaudière.

## 2 Protection de l'environnement/ Recyclage

La protection de l'environnement est un principe fondamental du groupe Bosch. Pour nous, la qualité de nos produits, la rentabilité et la protection de l'environnement constituent des objectifs aussi importants l'un que l'autre. Les lois et les règlements concernant la protection de l'environnement sont strictement observés. Pour la protection de l'environnement, nous utilisons, tout en respectant les aspects économiques, les meilleurs technologies et matériaux possibles.

### Emballage

En ce qui concerne l'emballage, nous participons aux systèmes de recyclage des différents pays, qui garantissent un recyclage optimal. Tous les matériaux d'emballage utilisés respectent l'environnement et sont recyclables.

### Appareils électriques et électroniques usagés



Les appareils électriques et électroniques hors d'usage doivent être collectés séparément.

Pour l'élimination des appareils électriques et électroniques usagés, utiliser les systèmes de renvoi et de collecte spécifiques au pays.

## 3 Informations sur le produit

### 3.1 Pièces fournies

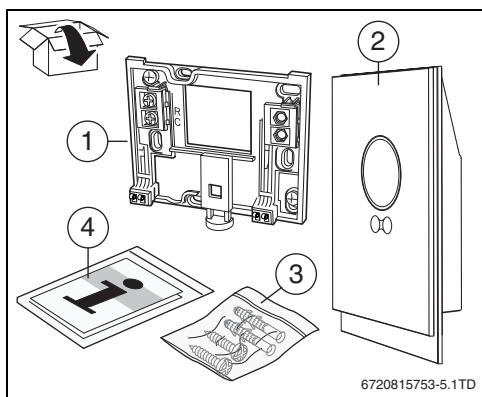


Fig. 1 Pièces fournies

- [1] Plaque de montage mural
- [2] Bosch Control
- [3] Sachet de vis (2 ×) et chevilles (2 ×)
- [4] Manuel d'installation/utilisation

### 3.2 Garantie

Ce produit dispose d'une garantie limitée de 3 ans. Pour davantage d'informations concernant la garantie, voir en page 12 ou consulter le site [www.boschheatingandcooling.com](http://www.boschheatingandcooling.com).

### 3.3 Version logicielle

Toute mise à jour du logiciel est automatiquement envoyée au Bosch Control par la connexion Wi-Fi. Après une mise à jour, il se peut que la présentation de l'écran tactile varie par rapport à l'image fournie dans le présent manuel d'utilisation. La version logicielle installée est affichée à l'écran lorsque celui-ci est verrouillé pour le nettoyage. La dernière version de ce document est accessible via les pages « info » de l'application.

### 3.4 Données de fonctionnement

Toutes les données sont stockées dans le Bosch Control. Aucune donnée de consommation n'est stockée sur un serveur externe ou sur Internet. Cela permet d'assurer la protection de votre vie privée.

Plus d'informations légales et relatives à la vie privée sont accessibles via les pages « info » de l'application.

### 3.5 Connexion de données

- L'utilisation du Bosch Control nécessite une connexion Wi-Fi à un routeur.
  - Il prend en charge les connexions Wi-Fi ouvertes et sécurisées par protocole WEP 128, WPA ou WPA2.
  - Le protocole le plus sûr est WPA2 ; il doit par conséquent être utilisé de préférence.
- L'horloge du Bosch Control est disponible par l'intermédiaire d'un serveur externe. Tant qu'aucune connexion n'a été établie avec le serveur concerné, le Bosch Control peut uniquement être actionné manuellement. Une fois la connexion établie avec le serveur externe, l'heure du Bosch Control est définie.
- Tous les coûts associés à la création d'une connexion Internet haut débit et à l'utilisation d'un appareil mobile incombent à l'utilisateur.
- Le type de chaudière connectée détermine les fonctions disponibles.

### 3.6 Informations

Les informations légales et relatives à la vie privée, les questions fréquemment posées, les options disponibles sur les différents types de chaudière et les liens vers les vidéos d'aide sont disponibles dans la section « info » de l'application.

## 3.7 Écran tactile

### 3.7.1 Détection de proximité

Un capteur de proximité permet de détecter la présence d'un utilisateur devant l'écran tactile. Cela active l'allumage de l'écran tactile. Si aucun utilisateur n'est détecté, l'écran tactile s'éteint automatiquement. Si une présence est détectée pendant plus de 5 minutes, l'écran tactile s'éteint automatiquement. Il ne peut alors être activé que par pression tactile.

### 3.7.2 Vue d'ensemble de l'écran tactile

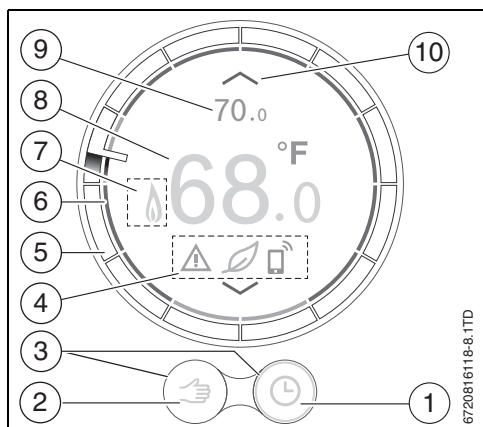


Fig. 2 Vue d'ensemble, écran tactile

N°	Symbole	Description
1		Programmation horaire
		Programme horaire à auto-apprentissage
	<b>ok</b>	Confirmation des choix
		Fonction vacances active
		Fonction dimanche active
		Wi-Fi
2		Mode manuel
		Retour (retour vers l'écran précédent / la fonction précédente)
3		Fonction active
		Fonction inactive

Tabl. 2 Description des symboles

N°	Symbole	Description
4		Non connecté au serveur Internet
		Aucune connexion Wi-Fi
		Aucune chaudière connectée
		Indication éco ; la température définie est inférieure à la température mesurée moyenne.
		Question de service ; message d'information
		Erreur
5		Dernière modification effectuée par l'application ou détection de présence.
		Cercle de programmation horaire : le cercle est divisé en segments d'une heure et l'heure est affichée.  Les actions du programme horaire sont affichées dans le cercle intérieur. La couleur d'un segment horaire indique l'action du programme effectuée au moment présent : <ul style="list-style-type: none"> <li>• La couleur rouge indique que la température définie dans le programme horaire est supérieure à celle du segment précédent</li> <li>• La couleur bleue indique que la température définie dans le programme horaire est inférieure à celle du segment précédent.</li> </ul>
6		Programme horaire de température : en cas d'erreur, le cercle s'affiche en orange.
7		Mode eau chaude activé ; également visible durant le chauffage de la chaudière.
		Chaudière en fonctionnement
8		Température ambiante mesurée
9		Température ambiante définie ; visible uniquement si elle est différente de la température mesurée.
10		Augmenter la température définie
		Diminuer la température définie

Tabl. 3 Description des symboles

## 4 Installation

### 4.1 Révision initiale

- ▶ Avant de procéder à l'installation, vérifier que la chaudière et le Bosch Control sont compatibles.

Consulter notre site web [www.boschheatingandcooling.com](http://www.boschheatingandcooling.com) pour obtenir la liste des chaudières compatibles.

Les exigences relatives à la connexion sont les suivantes :

- 2 connecteurs filaires EMS BUS entre la chaudière et le Bosch Control.
- Accès à Internet haut débit par Wi-Fi 802.11 b/g si l'application et la fonctionnalité en ligne est utilisée.

## 4.2 Choix de l'emplacement d'installation



Une pièce de référence est une zone (par exemple le salon), dans laquelle la température est mesurée, qui est représentative de toute la maison et où l'on passe la majeure partie du temps.

### Installation dans la pièce de référence

- Monter le Bosch Control sur un mur intérieur de la pièce de référence. S'assurer qu'il y ait un espace suffisant autour de la commande intelligente.

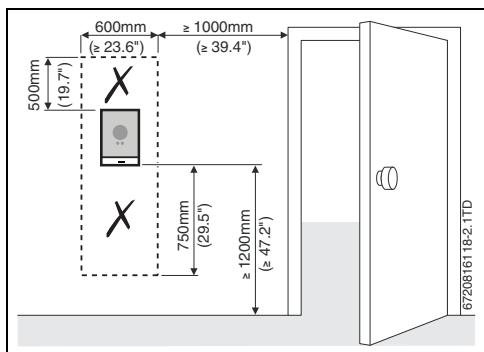


Fig. 3 Installation du Bosch Control: espace disponible requis

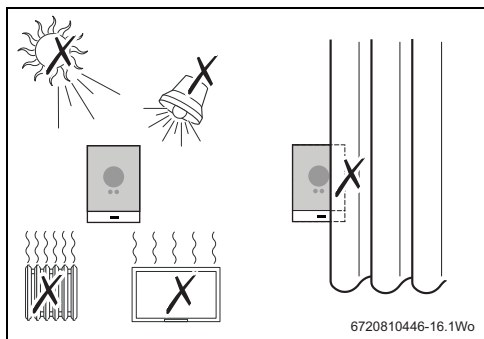


Fig. 4 Considérations relatives à l'installation du Bosch Control

## 4.3 Installation du support de montage mural



**PRUDENCE** : Connexion du Bosch Control. Connexions EMS BUS uniquement.

- Ne connectez pas le Bosch Control au raccordement de la tension de réseau de la chaudière.

Le support de montage mural peut être fixé directement sur le mur, à la place du Bosch Control précédent, par exemple.



Lors de l'installation sur un boîtier distributeur, vérifier que les courants d'air ne peuvent pas affecter la mesure de la température de la pièce. Remplir le boîtier distributeur d'un matériau isolant si nécessaire.

- Raccorder le câble bifilaire du Bosch Control (BUS EMS) aux supports de câbles de la plaque murale. Les raccordements sont de polarité indifférente.

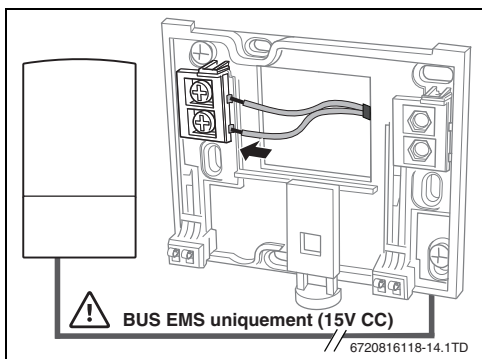


Fig. 5 Connexion au support mural

## 4.4 Connexion à la chaudière



**PRUDENCE** : Endommagement du Bosch Control.

- Le Bosch Control ne doit sous aucun prétexte être connecté à une alimentation 120 V intégrée à la chaudière ou une alimentation 120 V externe.



Voir la notice d'installation de la chaudière pour plus d'informations pour localiser les connexions adéquates

Le Bosch Control est connecté par l'intermédiaire des connecteurs EMS BUS de la chaudière uniquement.



## 4.5 Mise en place/retrait du Bosch Control

### Mise en place

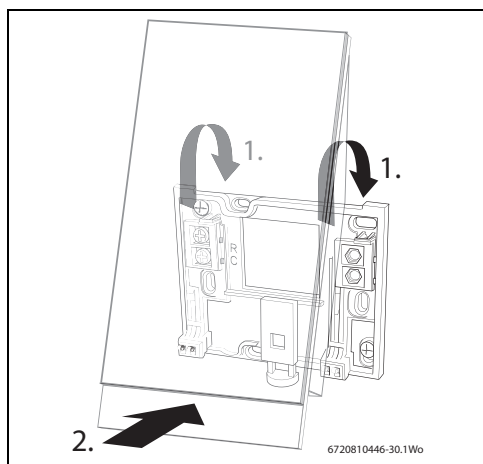


Fig. 6 Mise en place du Bosch Control

- ▶ Accrocher le Bosch Control à l'arrière de la plaque murale [1].
- ▶ Pousser le bas du Bosch Control contre la plaque murale jusqu'à entendre un « clic » [2]. Le Bosch Control est maintenant verrouillé.

### Retrait

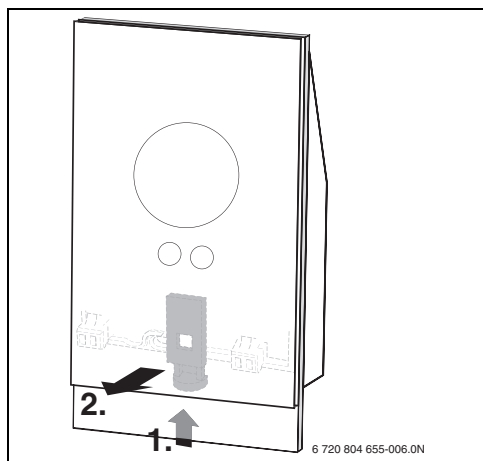


Fig. 7 Retrait du Bosch Control

- ▶ Déverrouiller le Bosch Control en appuyant sur le bouton de déverrouillage [1] sous le bord avant.
- ▶ Inclinez le bas du Bosch Control et le retirer [2].

## 4.6 Première utilisation

### 4.6.1 Mises à jour logicielles du Bosch Control

Le logiciel est mis à jour automatiquement, par l'intermédiaire de votre connexion Internet. Il est possible que le Bosch Control ne dispose pas de la dernière version du logiciel lors de son installation. Toutes les fonctionnalités de l'application risquent alors de ne pas être prises en charge.

La version logicielle installée peut être vérifiée sur l'écran de nettoyage (→ section 7.1, page 21).

### 4.6.2 Démarrage du Bosch Control

- ▶ Allumer la chaudière afin d'alimenter le Bosch Control.
- ▶ Retirer le film plastique de protection de l'écran.

La connexion entre le Bosch Control et la chaudière est établie automatiquement (→ fig. 8) :

- Durant la phase de connexion, les icônes de la chaudière, de connexion Wi-Fi et de connexion Internet sont affichées.
- Le Bosch Control établit la connexion avec la chaudière (indiquée par une coche [2] à côté de l'icône de connexion de la chaudière [1]).

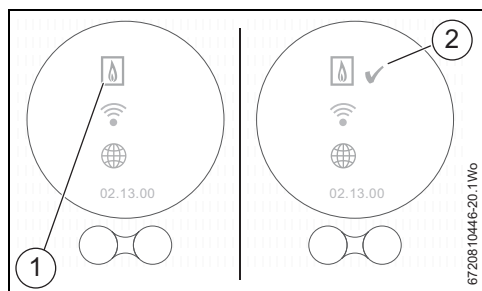


Fig. 8 Connexion avec la chaudière

### 4.6.3 Connexion au réseau Wi-Fi et à Internet



Le Bosch Control peut uniquement se connecter aux réseaux « visibles ». Si le réseau auquel le Bosch Control doit se connecter est « masqué », il doit être rendu « visible ». Une fois la connexion établie, le réseau peut être « masqué » à nouveau.

- Une fois connecté à la chaudière, le Bosch Control recherche automatiquement un réseau Wi-Fi [1] (→ fig. 9).
- Les réseaux Wi-Fi détectés sont affichés [2].

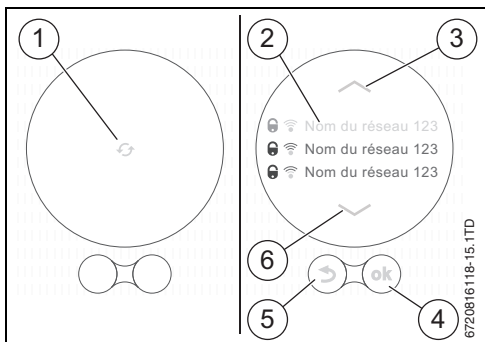


Fig. 9 Sélection du réseau Wi-Fi

- [1] Recherche de réseaux
- [2] Noms de réseau
- [3] Touche flèche vers le haut
- [4] Touche OK (confirmation)
- [5] Touche retour
- [6] Touche flèche vers le bas

L'écran [2] affiche les réseaux Wi-Fi détectés.

- ▶ Sélectionner le réseau Wi-Fi souhaité.
- ▶ Appuyer sur la touche **OK** [4] pour activer le réseau Wi-Fi sélectionné.

Les réseaux Wi-Fi protégés sont identifiés par un cadenas. Si le réseau est protégé par un mot de passe :

- ▶ Entrer le mot de passe du réseau (→ section 4.6.4).

Si le réseau souhaité est introuvable :

- ▶ Appuyer sur la touche « retour » [5] pour configurer le Bosch Control en mode hors-ligne. La température peut alors uniquement être définie manuellement à l'écran.
- ▶ La connexion à l'application ou au site Web de Bosch Control est impossible.
- ▶ Appuyer sur la touche **OK** [4] pour effectuer une nouvelle recherche.



Consulter le guide de dépannage au section 7.3.3, page 22.

#### 4.6.4 Saisie du mot de passe du réseau Wi-Fi



Le Bosch Control utilise le protocole Wi-Fi standard : n'utilisez pas de signe \$ dans le mot de passe du routeur Wi-Fi.

- ▶ Le cas échéant, supprimez le signe \$ du mot de passe du routeur.



La connexion et la synchronisation peuvent prendre un certain temps.

- ▶ Saisir le mot de passe du réseau Wi-Fi (→ fig. 10).
- Le mot de passe est saisi à l'aide des touches [4].
- Utiliser la touche de majuscule [3] pour entrer des lettres majuscules.
- Les symboles de ponctuation spéciale peuvent être saisis en utilisant la touche [6].
- Chaque touche [4] possède plusieurs options de caractères. En appuyant plusieurs fois sur la touche, le caractère requis apparaît sur la ligne de saisie [7].
- Il est possible de supprimer un caractère erroné à l'aide de la touche « retour » [5].
- ▶ Une fois le bon mot de passe saisi, confirmer en appuyant sur la touche « ok » [1].

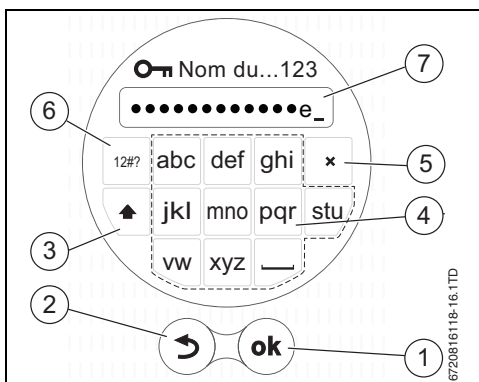


Fig. 10 Saisie du mot de passe du réseau Wi-Fi

#### Connexion au réseau Wi-Fi et à Internet

- La connexion au réseau Wi-Fi [1] est d'abord établie et confirmée par une coche (→ fig. 11).
- La connexion à Internet [2] est ensuite établie et confirmée par une coche.

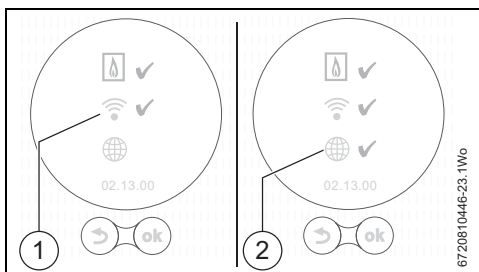


Fig. 11 Connexion au réseau Wi-Fi et à Internet



Problème avec l'établissement de connexions ?  
Se reporter au guide Élimination des défauts en page 11.

- Si toutes les connexions sont effectuées, les données sont synchronisées.
- L'écran affiche alors l'écran principal.

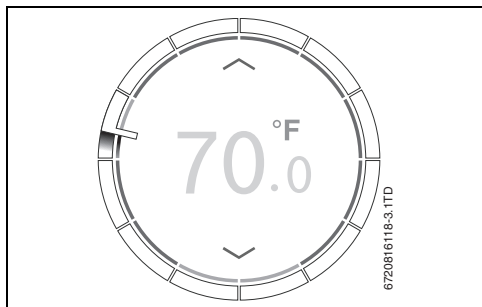


Fig. 12 Ecran principal



Dans l'App store, l'application du Bosch Control figure dans la section iPhone de la boutique, mais peut être installée sur un iPhone ou un iPad.

- L'application du Bosch Control pour appareil mobile peut être téléchargée sur les boutiques suivantes :
  - Available on the App Store
  - ANDROID-APP ON Google play
- Connecter l'appareil mobile au Bosch Control.
- Connecter l'appareil mobile à le Bosch Control.
- Enregistrer l'application avec le site Web du Bosch Control.
- Saisir le code d'accès unique (→ étiquette en première page)
- Définir un mot de passe personnel et noter l'opération sur la première page de cette notice d'utilisation.

## 5 Opérations

L'écran tactile est conçu pour une manipulation limitée ; pour toutes les autres opérations, notamment de programmation, il est recommandé d'utiliser l'application installée sur l'appareil mobile.

### 5.1 Chauffage central

#### 5.1.1 Modification du réglage de température

L'écran tactile s'allume à proximité du Bosch Control.

La modification de la température peut être effectuée par une des 3 manières suivantes.

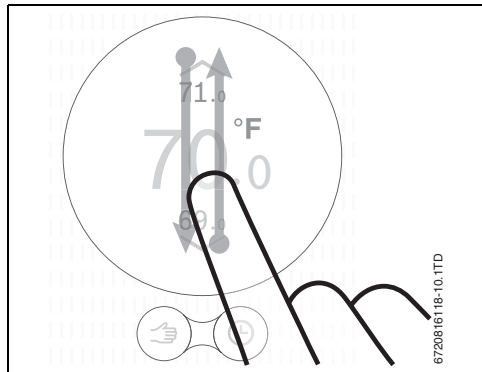


Fig. 13 Glissement

- Glisser vers le bas ou vers le haut pour augmenter ou réduire la température de 1°C.

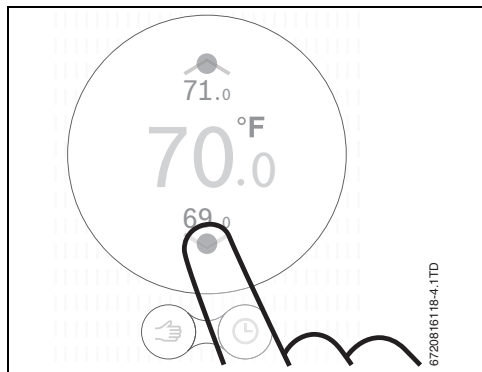


Fig. 14 Appuyer

- Taper au-dessus ou en dessous de la température affichée pour l'augmenter ou la réduire de 0,5°C.

#### Maintenir (appuyer longtemps)

- Appuyer et maintenir la touche haut ou bas pour modifier rapidement la température affichée.

#### 5.1.2 Mode manuel/Programmation horaire

Le programme horaire peut être réglé uniquement à l'aide de l'application, à partir de l'appareil mobile.

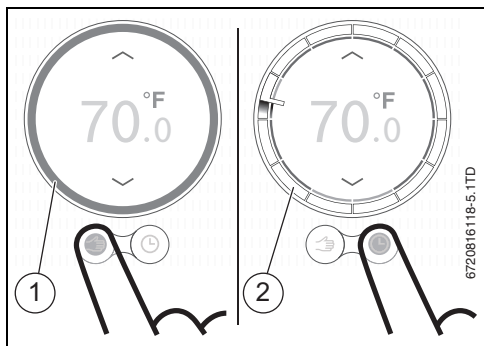


Fig. 15 Choix du mode manuel/programmation horaire

- [1] Icône de mode manuel  
[2] Icône de mode programmation horaire

- Appuyer brièvement sur l'icône de mode manuel ou de programmation horaire afin de permuter entre ces deux fonctions.

## 5.2 Eau chaude

### 5.2.1 Chaudières à deux services (chauffage et eau chaude)

La fonction de préchauffage de la chaudière doit être activée afin de permettre la commande de production d'eau chaude par le Bosch Control.

Se reporter au guide d'utilisateur de la chaudière à deux services pour activer la fonction de préchauffage, c'est-à-dire désactiver la fonction ECO.

Pour les chaudières à deux services, les fonctions d'eau chaude sont accessibles uniquement lorsque la commande de l'eau chaude est activée par l'intermédiaire de l'application.

### 5.2.2 Réglage temporaire du programme horaire pour l'eau chaude

Appuyer deux fois sur l'icône « Programme horaire » pour accéder à la fonction ECS temporisée, appuyer sous sur l'icône « ECS temporisée » pour mettre l'eau chaude sanitaire en MARCHÉ jusqu'à la prochaine période ou sur l'icône « ECS non temporisée » pour mettre l'eau chaude sanitaire en ARRÊT jusqu'à la prochaine période.

Appuyer sur l'icône « retour » pour revenir à l'affichage normal.

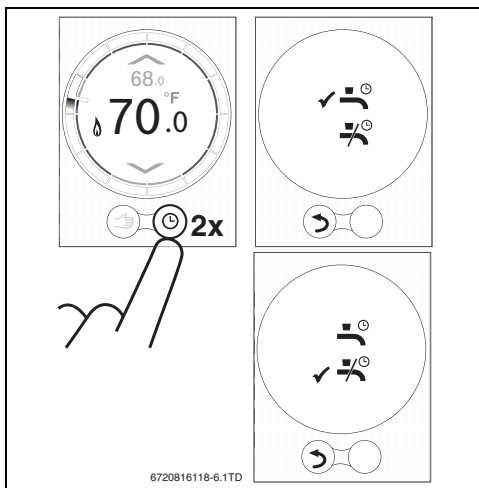


Fig. 16 Fonctions d'eau chaude

### 5.2.3 Activation ou désactivation permanente de l'eau chaude

Appuyer deux fois sur l'icône « manuel » (main) pour accéder à la fonction, appuyer soit sur l'icône « ECS » pour une MARCHÉ permanente, soit sur l'icône « pas d'ECS » pour un ARRÊT permanent.

Appuyer sur l'icône « retour » pour revenir à l'affichage normal.

L'eau chaude sanitaire reste en permanence dans le mode sélectionné jusqu'à ce que l'icône « Programme horaire » soit sélectionnée.

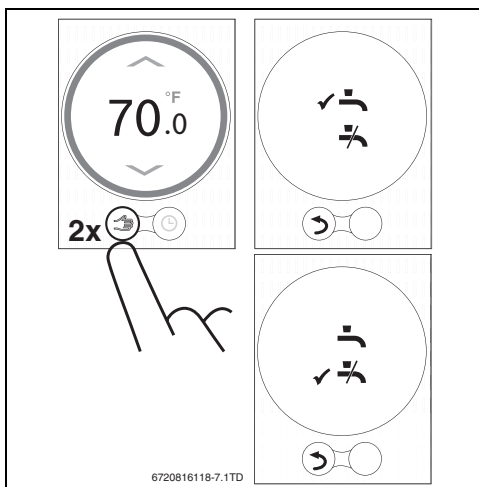


Fig. 17 Activation ou désactivation permanente

## 6 Caractéristiques

Description	Unité	Valeur
<b>Alimentation électrique</b>	V CC	14,3 à 16,0
<b>Consommation (max.)</b>	W	0,9
<b>Dimensions (L x W x H)</b>	pouces	4 x 6,7 x 1
	mm	100 x 145 x 27
<b>Poids</b>	lbs	0,55
	g	250
<b>Temp. de service autorisée</b>	°F	32 à 113
	°C	0 à 45
<b>Humidité relative autorisée</b>	%	10 à 90
<b>Connexion (Wi-Fi)</b>		802.11 b/g

Table 4 Caractéristiques

## 7 Entretien et élimination des défauts

### 7.1 Nettoyage de l'écran tactile

- Balayer l'écran de gauche à droite pour le verrouiller. Une fois verrouillé, l'écran affiche la version installée du logiciel.

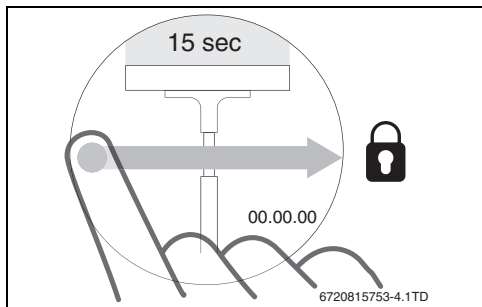


Fig. 18 Verrouillage de l'écran tactile

- Nettoyer l'écran tactile dans les 15 secondes qui suivent le verrouillage, au moyen d'un chiffon propre et sec.

### 7.2 Nouveau réseau Wi-Fi ou mot de passe

Pour connecter le Bosch Control à un nouveau réseau Wi-Fi ou si le mot de passe du réseau a été modifié :

- Remettre à zéro le Bosch Control (→ section 7.3.2).
- Suivre les étapes de connexion à un réseau Wi-Fi (→ section 4.6.3).

## 7.3 Elimination des défauts



Les messages d'erreur de la chaudière sont affichés à l'écran et envoyés automatiquement à l'application depuis le Bosch Control.

### 7.3.1 Coupure de courant

En cas de coupure de courant, tous les réglages sont enregistrés. Une fois la connexion au réseau Wi-Fi à nouveau établie, les paramètres sont synchronisés avec le serveur externe.

- Vérifier l'heure et la date.

Si la connexion au Internet ne peut **pas** être établie, l'heure et la date peuvent être réglées par l'intermédiaire de l'application, en connectant le smartphone au réseau Wi-Fi local. L'heure et la date sont synchronisées automatiquement.

### 7.3.2 Remise à zéro du Bosch Control

Si le Bosch Control connaît des problèmes de fonctionnement, il peut être déconnecté brièvement de la plaque murale, puis connecté à nouveau (→ fig. 7, page 17).

Si cela ne résout pas le problème, laisser le Bosch Control monté sur la plaque murale et appuyer sur le bouton de remise à zéro (→ fig. 19) pendant quelques secondes afin de supprimer l'erreur. Si l'erreur se produit à nouveau, contacter l'installateur ou l'équipe de support technique du groupe Bosch.



Remise à zéro !






L'utilisation du bouton de réinitialisation supprime tous les paramètres personnalisés et la connexion au réseau Wi-Fi doit être établie à nouveau.



Fig. 19 Remise à zéro

### 7.3.3 Élimination des défauts

Une liste complète des questions fréquemment posées est disponible via les pages « info » de l'application.

Erreur	Remède
 <b>Aucune connexion Wi-Fi</b>	Il est possible que le signal du routeur Wi-Fi soit trop faible. Installer un répéteur Wi-Fi. Compatible uniquement avec routeurs de type « b » et « g ».
<b>Réseau Wi-Fi introuvable</b>	Il est possible que la fonction de masquage du réseau Wi-Fi soit activée au niveau du routeur ou que la fonction de diffusion (transmission de SSID) soit désactivée. Désactiver temporairement la fonction de masquage ou activer la fonction de diffusion.
 <b> Icône affichée en permanence</b>	Il est possible que le réseau Wi-Fi soit protégé par protocole « WEP64 ». Ce protocole n'est pas pris en charge. Modifier le protocole de sécurité du routeur (→ manuel du routeur).
<b>Adresse IP</b>	Aucune adresse IP n'a été encore affectée par le routeur. Cette opération peut prendre un certain temps. Il peut être nécessaire de procéder à l'affectation manuelle d'une adresse IP au niveau du routeur (→ manuel du routeur).
<b>Nouveau routeur ou réseau Wi-Fi</b>	Retirer le Bosch Control de la plaque murale, attendre 10 secondes, puis replacer le Bosch Control sur la plaque murale. Tous les réseaux Wi-Fi détectés sont affichés à l'écran (→ section 4.6.3).
<b>Cercle de programmation horaire du Bosch Control non affiché</b>	La connexion au serveur a été interrompue. Attendre le rétablissement de la connexion.
<b>Numéro de série et code d'accès manquants</b>	Le numéro de série et le code d'accès sont tous deux indiqués sur l'étiquette située en première page de cette notice, ainsi que sur l'étiquette située à l'arrière du Bosch Control. Si une application est utilisée pour la connexion, le numéro de série et le code d'accès peuvent être affichés dans l'application en allant, via le menu « Infos », dans le sous-menu « Informations sur le produit ». Si le numéro de série et le code d'accès sont introuvables, contacter l'installateur ou l'équipe de support technique du groupe Bosch.
<b>Connexion impossible entre l'application et le Bosch Control</b>	Le Bosch Control est-il connecté à Internet (→ section 4.6.3) ? Le numéro de série et le code d'accès ont-ils été saisis correctement ? Veuillez noter qu'ils sont sensibles à la casse. Il est possible que l'établissement de la connexion prenne un certain temps. Attendre quelques minutes.
<b>Ecran tactile verrouillé, décompte du chronomètre en cours</b>	Un glissement horizontal sur l'écran tactile permet de le verrouiller. L'écran tactile est verrouillé pendant 15 secondes en vue du nettoyage. Il est possible de verrouiller l'écran tactile par l'intermédiaire de l'application. Vérifier l'application et y déverrouiller l'écran si nécessaire.
<b>Température affichée trop basse ou élevée</b>	Dans l'application, la température affichée peut être calibrée.
<b>L'écran tactile ne s'allume pas</b>	Si une présence est détectée pendant plus de 5 minutes, l'écran tactile s'éteint automatiquement. Il ne peut alors être activé que par pression tactile.
 <b> Symbole affiché à l'écran</b>	En cas d'absence de connexion au serveur, attendre le rétablissement automatique de la connexion. Une fois démarrée, la chaudière peut uniquement être commandée manuellement ; la programmation horaire n'est pas disponible.
<b>Mot de passe contenant un ou plusieurs signes \$</b>	Le Bosch Control utilise le protocole Wi-Fi standard : il est impossible d'utiliser le signe \$ dans le mot de passe du routeur Wi-Fi. Supprimer tout signe \$ du mot de passe du routeur.
 <b> Icône affichée en permanence</b>	Le symbole disparaît lorsque la température est modifiée à l'aide de l'écran tactile ou lorsque le point de commutation du programme horaire est atteint.
<b>Fonctionnalité de l'application incomplète.</b>	Il est possible que le Bosch Control ne dispose pas de la dernière version du logiciel lors de son installation. Toutes les fonctionnalités de l'application risquent alors de ne pas être prises en charge par le Bosch Control. La mise à jour étant automatique.
 <b> Symbole affiché à l'écran</b>	Affichage de l'un des messages suivants : tentatives d'allumage répétées, la chaudière indique un message de maintenance. Cela est associé à un signal d'information. La chaudière fonctionne normalement.
<b>Aucune mise à jour logicielle du Bosch Control</b>	La mise à jour du logiciel est automatique et nécessite une connexion permanente à Internet. Si le routeur n'est pas activé en permanence, certaines mises à jour risquent d'être omises.

Tabl. 5 Liste d'élimination des défauts

## 8 Garantie Bosch Control

### Thermostat d'ambiance intelligent (Smart room thermostat) Bosch

#### Garantie limitée

##### MODÈLES CONCERNÉS

Cette garantie limitée est accordée par Bosch Thermotechnology Corp. (« Bosch ») et couvre les régulateurs ambiants la commande Bosch (Bosch Control), thermostat d'ambiance intelligent (smart room thermostat) (ci-après dénommés « produit »). Cette garantie est valable pour le premier acquéreur du produit tant que ce dernier est installé dans le lieu d'origine.

##### COUVERTURE DE LA GARANTIE

#### Garantie limitée

Bosch garantit que le produit est exempt de vices de fabrication et dus aux matériaux pendant une période de trois (3) ans à partir de la date d'installation d'origine ou de la date de fabrication si la preuve d'installation n'est pas disponible, à condition que le produit soit correctement installé et entretenu par un chauffagiste qualifié et que les autres dispositions de cette garantie soient respectées. Si Bosch constate que le produit contient un défaut d'exécution ou matériel, Bosch se réserve le droit de réparer ou remplacer le produit défectueux selon sa propre appréciation.

##### OBJETS NON COUVERTS

Cette garantie limitée ne couvre pas les cas suivants :

1. Les composants et pièces non fournis par Bosch.
2. Les composants d'entretien et l'entretien courant conformément à la notice d'utilisation.
3. Les composants ou parties sur lesquels les étiquettes ou plaques de nom ont été retirées, modifiées ou abimées.
4. Les rayures ou décolorations du vernis.
5. Les prestations des monteurs. Bosch rejette et n'assume aucune responsabilité, de quelque nature que ce soit, en cas de performances insatisfaisantes dues à une installation, une réparation ou un entretien incorrects.
6. Les coûts de main d'œuvre et de matériel pour l'extraction, la réinstallation, la réparation ou le remplacement de composants défectueux.
7. Les coûts d'électricité ou de combustible, toute augmentation ou économies non réalisées pour quelque raison que ce soit.
8. Les dommages causés par le fonctionnement du produit dans une atmosphère corrosive, les dépôts de tartre et/ou l'eau hautement minéralisée ou non traitée, les défaillances électriques, les impuretés de l'eau, les inondations ou les catastrophes naturelles.
9. Les dommages causés par toute fixation ou modification du produit, incluant tout dispositif d'économie d'énergie.
10. Les dommages causés par un produit n'ayant pas été installé conformément aux codes et réglementations de plomberie et/ou de maçonnerie nationales et locales.
11. Les frais de transport, de livraison et de gestion incombant à l'acquéreur lors de la réparation ou du remplacement du produit.

##### GARANTIE LIMITÉE

OUTRE LES OBLIGATIONS DE BOSCH EXPRESSÉMENT EXPOSÉES DANS CETTE GARANTIE, BOSCH REJETTE TOUTES LES GARANTIES, EXPRESSES OU IMPLICITES, Y COMPRIS ET DE MANIÈRE NON LIMITATIVE TOUTES LES GARANTIES DE VALEUR COMMERCIALE OU D'ADÉQUATION POUR UN OBJECTIF PARTICULIER. LA GARANTIE LIMITÉE PRÉSENTÉE CI-DESSUS COMPREND LES OBLIGATIONS EXCLUSIVES DE BOSCH SE RAPPORTANT AU PRODUIT AINSI QUE LES VOIES DE RECOURS EXCLUSIVES DE L'ACQUÉREUR. BOSCH N'EST NULLEMENT RESPONSABLE EN CAS DE DOMMAGES INDIRECTS, DISSUASIFS, ACCIDENTELS, SPÉCIAUX, CONSÉCUTIFS OU SIMILAIRES, Y COMPRIS, MAIS DE MANIÈRE NON LIMITATIVE, LES BLESSURES OU DOMMAGES CAUSÉS À DES PERSONNES OU BIENS OU LES DOMMAGES ENGENDRÉS PAR LA PERTE D'UTILISATION, LA PERTE DE PROFITS, LE DÉSAGRÈMENT OU LA PERTE DE TEMPS. IL CONVIENT DE NOTER QUE TOUT PRODUIT RÉPARÉ OU REMPLACÉ SERA GARANTI UNIQUEMENT POUR LE TERME NON EXPIRÉ DE LA GARANTIE ORIGINALE.

Certains États n'autorisent pas l'exclusion de la limitation des dommages ou les limitations sur la durée d'une garantie implicite. Il se peut donc que les limitations et exclusions susmentionnées ne s'appliquent pas à votre cas.

##### PROCÉDURE DE RECOURS EN GARANTIE

En cas de recours en garantie, veuillez contacter le chauffagiste qui a installé votre produit en le priant d'informer le distributeur qui lui a vendu le produit. Si cette démarche n'est pas possible ou si vous n'obtenez aucune réponse, adressez-vous à Bosch Thermotechnology Corp., 50 Wentworth Avenue, Londonderry, NH 03053. Pour pouvoir traiter votre recours, vous aurez besoin d'une copie de la facture originale ou d'une autre preuve d'achat ainsi que des documents indiquant la date et l'emplacement de l'installation originale. Le produit supposé défectueux doit être retourné à BTC conformément à la procédure BTC alors en vigueur pour le traitement des marchandises retournées à des fins d'inspection afin de déterminer la cause de la défaillance (contactez BTC si vous avez des questions sur la procédure de retour). Si BTC constate que le produit renvoyé est défectueux et que la garantie est applicable, BTC remet le produit réparé ou échangé à disposition à un revendeur BTC agréé qui le transmet au chauffagiste qui a installé votre produit.

Cette garantie s'applique uniquement aux produits Bosch installés sur la partie continentale des États-Unis et au Canada.

## Índice de contenidos

<b>1 Explicación de la simbología e instrucciones de seguridad</b>	<b>24</b>
1.1 Explicación de los símbolos	24
1.2 Indicaciones de seguridad	24
<b>2 Medio ambiente / eliminación de residuos</b>	<b>25</b>
<b>3 Información del producto</b>	<b>25</b>
3.1 Volumen de suministro	25
3.2 Garantía	25
3.3 Versión del software	25
3.4 Datos de funcionamiento	25
3.5 Conexión de datos	26
3.6 Información	26
3.7 Pantalla táctil	26
3.7.1 Detección de proximidad	26
3.7.2 Vista general de la pantalla táctil	26
<b>4 Instalación</b>	<b>27</b>
4.1 Inspección inicial	27
4.2 Elegir el lugar de instalación	27
4.3 Instalación de la base de montaje en la pared	28
4.4 Conectar a la caldera	28
4.5 Instalación/desinstalación del sistema de control inteligente	28
4.6 Primer uso	29
4.6.1 Actualizaciones del software del sistema de control inteligente	29
4.6.2 Iniciando el sistema de control inteligente	29
4.6.3 Conectar la red Wi-Fi a internet	29
4.6.4 Ingresar contraseña de la red Wi-Fi	30
<b>5 Funcionamiento</b>	<b>31</b>
5.1 Calefacción	31
5.1.1 Cambio de ajustes de temperatura	31
5.1.2 Modo manual / programa de tiempo	32
5.2 Agua caliente	32
5.2.1 Calderas mixtas	32
5.2.2 Ajuste temporal del programa de tiempo de agua caliente	32
5.2.3 Conectar o desconectar permanentemente la producción del agua caliente	32
<b>6 Especificaciones</b>	<b>33</b>
<b>7 Mantenimiento y eliminación de fallas</b>	<b>33</b>
7.1 Limpieza de la pantalla táctil	33
7.2 Cambie la red Wi-Fi o ingrese una nueva contraseña de red	33
7.3 Eliminación de fallas	33
7.3.1 Después de un corte de luz	33
7.3.2 Reseteear el sistema de control inteligente	33
7.3.3 Eliminación de fallas	34
<b>8 Bosch Control (CT 100)</b>	<b>35</b>

## 1 Explicación de la simbología e instrucciones de seguridad

### 1.1 Explicación de los símbolos

#### Advertencias



Las advertencias están marcadas en el texto con un triángulo.

Adicionalmente las palabras de señalización indican el tipo y la gravedad de las consecuencias que conlleva la inobservancia de las medidas de seguridad indicadas para evitar riesgos.

Las siguientes palabras de señalización están definidas y pueden utilizarse en el presente documento:

- **AVISO** advierte sobre la posibilidad de que se produzcan daños materiales.
- **ATENCIÓN** advierte sobre la posibilidad de que se produzcan daños personales de leves a moderados.
- **ADVERTENCIA** advierte sobre la posibilidad de que se produzcan daños personales de graves a mortales.
- **PELIGRO** advierte sobre daños personales de graves a mortales.

#### Información importante



La información importante que no conlleve riesgos personales o materiales se indicará con el símbolo que se muestra a continuación.

#### Otros símbolos

Símbolo	Significado
▶	Procedimiento
→	Referencia cruzada a otro punto del documento
•	Enumeración/punto de la lista
–	Enumeración/punto de la lista (2.º nivel)

Tab. 6

### 1.2 Indicaciones de seguridad

El sistema de control inteligente ha sido desarrollado para regular la temperatura ambiente y la caldera en su casa.

- No desarmar el sistema de control inteligente.
- Evitar altas temperaturas así como entornos húmedos o polvorientos.
- Para prevenir cortocircuitos o daños en el sistema de control inteligente, no utilice agua o agentes de limpieza al limpiar el sistema (→ sección 7.1).



- Antes de iniciar la instalación del sistema de control inteligente, desconectar la alimentación de red de la fuente de calor.

## 2 Medio ambiente / eliminación de residuos

La protección del medio ambiente es parte fundamental de la estrategia corporativa del grupo Bosch. La calidad de nuestros productos, su eficiencia y seguridad medioambiental tienen la misma importancia para nosotros y cumplimos estrictamente con la legislación y las regulaciones de protección del medio ambiente. Para la protección del medio ambiente, y teniendo en cuenta los aspectos económicos, empleamos la mejor técnica y los mejores materiales posibles.

### Embalaje

Participamos en los programas de reciclaje de los países en los que se venden nuestros productos, a fin de garantizar el máximo reciclaje. Todos nuestros materiales usados para ello son respetuosos con el medio ambiente y reutilizables.

### Aparatos usados eléctricos y electrónicos



Los aparatos eléctricos y electrónicos inservibles deben separarse para su eliminación y reutilizarlos de acuerdo con el medio ambiente (Directiva Europea de Residuos de aparatos eléctricos y electrónicos).

Utilice los sistemas de restitución y colecta para la eliminación de residuos de aparatos eléctricos y electrónicos.

## 3 Información del producto

### 3.1 Volumen de suministro

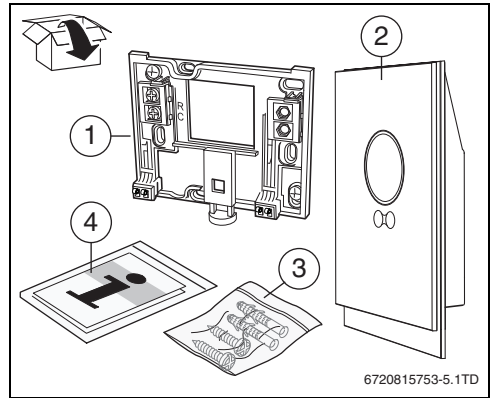


Fig. 20 Volumen de suministro

- [1] Base de montaje en la pared
- [2] Sistema de control inteligente
- [3] Tornillos (2 ×) y taquetes (2 ×)
- [4] Manual de instalación y de funcionamiento

### 3.2 Garantía

Este producto cuenta con una garantía estándar del fabricante de 3 años. Véase la aplicación que contiene un enlace al sistema de registro en línea.

### 3.3 Versión del software

En caso de haber actualizaciones del software, éstas serán enviadas automáticamente. Después de una actualización puede suceder que la visualización de la pantalla táctil varíe de la imagen presentada en este manual de funcionamiento. En la pantalla se puede ver la versión del software instalada cuando ésta se encuentre bloqueada para su limpieza. La última versión de este documento está a su disposición a través de la aplicación páginas "info".

### 3.4 Datos de funcionamiento

Todos los datos están almacenados en el sistema de control inteligente; ningún dato de consumo se encuentra almacenado en un servidor externo o en internet. Esto protegerá su privacidad.

Información adicional en cuanto a la información legal y de privacidad consta en la aplicación página "info".

### 3.5 Conexión de datos

- El sistema de control inteligente requiere de una conexión Wi-Fi a su router.
  - El sistema de control inteligente apoya conexiones Wi-Fi abiertas y conexiones Wi-Fi codificadas con WEP 128, WPA y protocolos WPA2.
  - WPA2 es el protocolo más seguro y por lo tanto tiene preferencia.
- El ajuste de tiempo del sistema de control inteligente está a su disposición a través de un servidor externo. En caso de que el sistema de control inteligente no haya establecido una conexión con este servidor, el sistema de control inteligente sólo podrá ser operado manualmente. Una vez que se haya establecido la conexión con un servidor externo, se ajusta el tiempo en el sistema de control inteligente.
- Todos los gastos de generar una conexión de internet de banda ancha así como el uso de un dispositivo inteligente es responsabilidad del usuario.
- El tipo de caldera conectado determina las funciones a utilizar. En la aplicación "info" se encuentra una vista general de las funciones disponibles para la respectiva caldera.

### 3.6 Información

En la aplicación debajo de la lengüeta "info" se puede encontrar información legal y de privacidad, preguntas frecuentes así como las funciones disponibles en las calderas respectivas y enlaces de vídeos de ayudas.

### 3.7 Pantalla táctil

#### 3.7.1 Detección de proximidad

Un sensor de proximidad detecta la presencia delante de la pantalla táctil. La consecuencia es que se activa la pantalla táctil. En caso de no detectar nada, la pantalla táctil se desconectará automáticamente después de un tiempo configurado. En caso de haber una detección durante un tiempo mayor a 5 minutos, la pantalla táctil se desconectará automáticamente. Después de ello se podrá activar la pantalla táctil únicamente tocándola.

#### 3.7.2 Vista general de la pantalla táctil

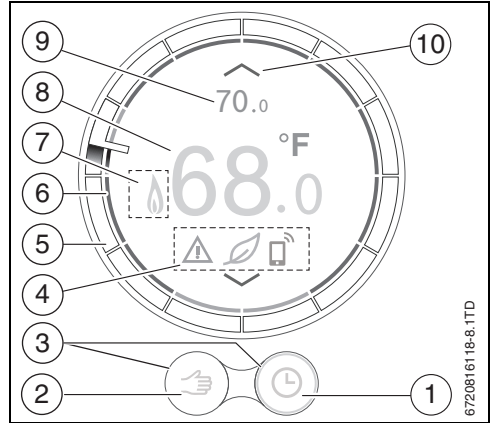

















Fig. 21 Vista general de la pantalla táctil

N°	Símbolo	Descripción
1		Programa de tiempo
		Programa de tiempo autoaprendizaje
		Confirmar opción
		Programa de vacaciones activo
		Función de domingo activa
		Wi-Fi
2		Tipo de funcionamiento "manual"
		Retornar (regresar a la pantalla/función previa)
3		Función activa
		Función inactiva

Tab. 7 Descripción de los símbolos

Nº	Símbolo	Descripción
4		No hay conexión al servidor de internet
		No hay conexión Wi-Fi
		No hay conexión de caldera
		Eco-indicación; temperatura ajustada es menor que el promedio medido.
		Pregunta de servicio; alerta de información
		Error
		Última modificación realizada mediante aplicación o detección de presencia.
5		Anillo de tiempo: el anillo está seccionado en bloques de una hora cada uno, con el tiempo actual visualizado.  Las acciones del programa de tiempo pueden verse en el anillo interior. El color del bloque de tiempo visualiza la acción en el programa de tiempo:
		<ul style="list-style-type: none"> <li>• Rojo indica que la temperatura ajustada en el programa de tiempo es mayor que el bloque anterior</li> <li>• Azul indica que la temperatura ajustada en el programa de tiempo es menor que el bloque anterior.</li> </ul>
6		Indicador de temperatura programa de tiempo; en caso de indicar una avería, el anillo está en anaranjado.
7		Producción de agua caliente activa; también visible durante la calefacción de la caldera.
		Funcionamiento de caldera
8		Temperatura ambiente medida
9		Ajustar temperatura ambiente, sólo visible si no es la misma que la temperatura medida.
10		Incrementar temperatura configurada
		Bajar temperatura configurada

Tab. 7 Descripción de los símbolos

La página de internet del sistema de control inteligente presenta una lista de calderas compatibles.

Los requisitos de la instalación son los siguientes:

- Conexión de BUS de 2 cables EMS entre la caldera y el sistema de control inteligente.
- Acceso de banda ancha a internet mediante Wi-Fi 802.11 b/g en caso de utilizar la aplicación y las funciones de internet.

## 4.2 Elegir el lugar de instalación



Una habitación de referencia es un área (por ejemplo la sala) en la cual se mide la temperatura y que es representativa para la casa completa porque es el lugar en la que los habitantes se encuentran la mayoría del tiempo.

### Instalación en la habitación de referencia

- Montar el sistema de control inteligente a una pared interior de la habitación de referencia. Asegurar que haya suficiente espacio libre alrededor del sistema de control inteligente.

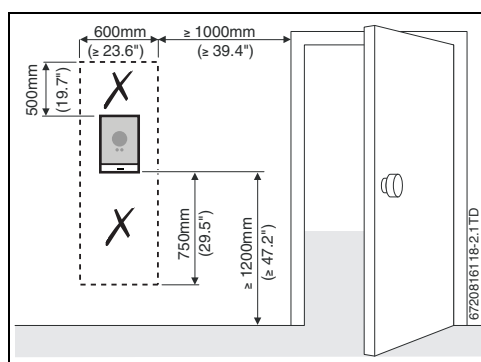


Fig. 22 Instalación del sistema de control inteligente - espacio libre necesario

## 4 Instalación

### 4.1 Inspección inicial

- Previo a instalación, controlar que su caldera y el sistema de control inteligente son compatibles.

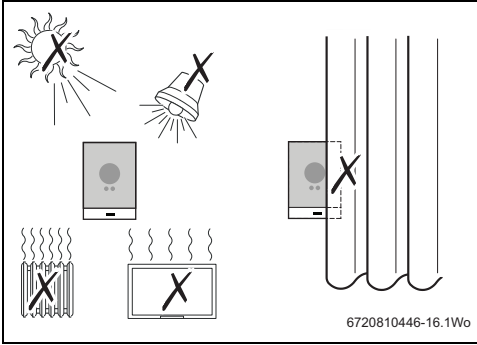


Fig. 23 Consideraciones sobre la instalación del sistema de control inteligente

### 4.3 Instalación de la base de montaje en la pared



**ATENCIÓN:** Conexión del sistema de control inteligente.

EMS Únicamente conexiones de BUS.

- ▶ No conectar el sistema de control inteligente a la conexión principal de corriente de la caldera.

La base de montaje en la pared puede ajustarse directamente a la pared, por ejemplo en el lugar del sistema de control anterior.



Al instalar la caja de unión, asegurarse que la dimensión de la sala no afecte la medida de la temperatura ambiente.

En caso de ser necesario, aislar la caja de unión con un aislante térmico.

- ▶ Conectar el cable del termostato de 2 hilos (EMS cable de BUS de la caldera) a las conexiones del cable en la base de la pared.  
Las conexiones no son sensibles a la polaridad.

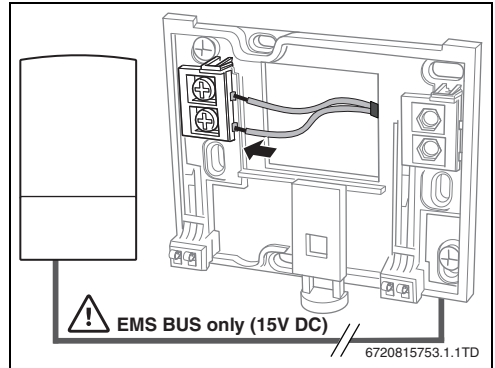




Fig. 24 Conectar la base de la pared

#### 4.4 Conectar a la caldera



**ATENCIÓN:** Daño del sistema de control inteligente.

- ▶ Bajo ninguna circunstancia debe conectarse el sistema de control inteligente a la conexión de 220 voltios de la caldera o a un suministro externo de 220 voltios.

 Véase las instrucciones de instalación de la caldera para información adicional en cuanto a la conexión del sistema de control inteligente.

El sistema de control inteligente se conecta únicamente a las conexiones BUS EMS de su caldera.

#### 4.5 Instalación/desinstalación del sistema de control inteligente

##### Instalación

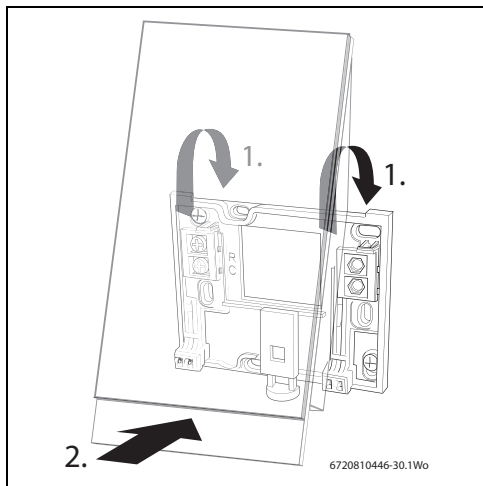


Fig. 25 Instalar el sistema de control inteligente

- ▶ Enganchar el sistema de control inteligente a la base de la pared [1].
- ▶ Presionar la parte inferior del sistema de control inteligente contra la base de la pared hasta escuchar un “clic” [2]. El sistema de control inteligente está colocado.

##### Desinstalar

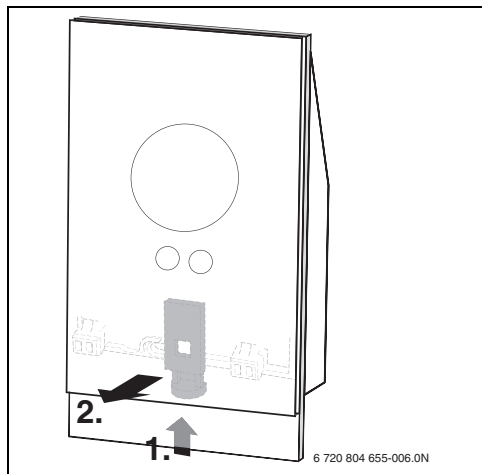


Fig. 26 Desinstalar el sistema de control inteligente

- ▶ Soltar el sistema de control inteligente pulsando la tecla de desbloqueo [1] ubicado debajo del borde delantero.
- ▶ Gire la parte inferior del sistema de control inteligente hacia arriba y retírelo [2].

#### 4.6 Primer uso

##### 4.6.1 Actualizaciones del software del sistema de control inteligente

El software se actualiza automáticamente a través de su conexión de internet. Al desembalar el sistema de control inteligente, éste probablemente no estará con el software actualizado y, como resultado, no estarán disponibles todas las funciones posibles de la aplicación. En el modo de limpieza de pantalla se puede controlar la versión de software instalada (→ sección 7.1, página 10).

##### 4.6.2 Iniciando el sistema de control inteligente

- ▶ Active la caldera, lo cual suministra corriente al sistema de control inteligente.
- ▶ Retire el protector de pantalla.

El sistema de control inteligente y la caldera estarán automáticamente enlazados:

- Durante la fase de conexión se visualizarán las teclas virtuales de la caldera, del Wi-Fi y de la conexión de internet.
- El sistema de control inteligente establece una conexión con la caldera (mostrada por una marca [2], situada junto a la tecla virtual de la conexión de caldera [1]).

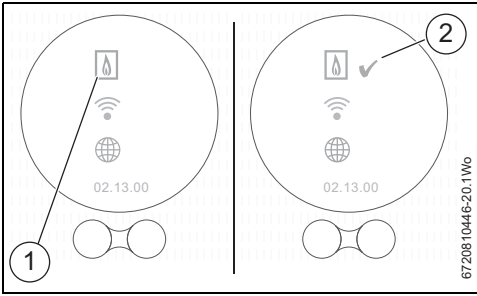


Fig. 27 Conexión con la caldera

- Se estableció la conexión con la caldera.

### 4.6.3 Conectar la red Wi-Fi a internet



El sistema de control inteligente sólo puede conectarse a redes “visibles”. En caso de que la red a la que debe conectarse el sistema de control inteligente sea una “red oculta”, ésta deberá estar en un estado “visible”. Después de haber establecido la conexión, la red relevante puede ser “ocultada” nuevamente.

- Una vez conectado a la caldera, el sistema de control inteligente registrará automáticamente las redes Wi-Fi [1].
- Se visualizarán las posibilidades de la red Wi-Fi [2].

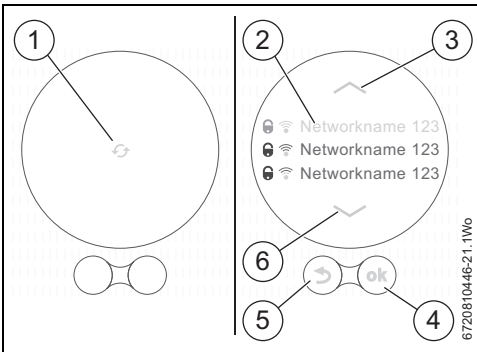


Fig. 28 Elegir la red Wi-Fi

- [1] Buscando redes
- [2] Nombres de redes
- [3] Tecla de flecha hacia arriba
- [4] Tecla OK (confirmación)
- [5] Tecla retorno
- [6] Tecla de flecha hacia abajo

La pantalla [2] muestra las redes Wi-Fi encontradas.

- Elegir la red Wi-Fi necesaria.

- Pulsar la tecla **OK** [4] para activar la red Wi-Fi elegida. Redes Wi-Fi protegidas son visualizadas con un candado.
- En caso de que la red Wi-Fi esté protegida con una contraseña:
  - Ingresar la contraseña de la red Wi-Fi (→ sección 4.6.4).
- En caso de no encontrar la red Wi-Fi elegida:
  - Pulsar la tecla “Retorno” [5] para ajustar el sistema de control inteligente fuera de línea. A continuación sólo se podrá ajustar manualmente la temperatura en la pantalla. La conexión a la aplicación o a la página web del sistema de control inteligente no es posible. Pulsar la tecla **OK** [4] para buscar nuevamente.



Véase la sección 7.3.3, página 11 para posibles soluciones a problemas de conexión.

### 4.6.4 Ingresar contraseña de la red Wi-Fi



En caso de que el sistema de control inteligente utilice el protocolo Wi-Fi estándar, no utilice caracteres \$ en la contraseña del router Wi-Fi.

- En caso necesario, retire el caracter \$ de la contraseña del router.



La conexión y sincronización puede durar un poco.

- Ingreso de la contraseña de red Wi-Fi (→ fig. 10).
- Ingrese la contraseña con las teclas [4].
- Utilice la tecla de mayúsculas [3] para ingresar letras mayúsculas.
- Con la tecla [6] se pueden ingresar caracteres especiales.
- Cada tecla [4] tiene diferentes opciones de caracteres. Pulsando repetidas veces la tecla, aparecerá el caracter requerido en la línea de ingreso de datos [7].
- Con la tecla de “retorno” [5] se puede borrar un caracter mal ingresado.
- Una vez ingresada la contraseña correcta, confirmela pulsando la tecla “ok” - [1].

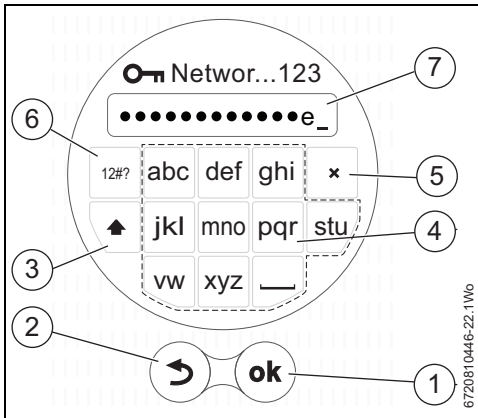


Fig. 29 Ingresar contraseña de la red Wi-Fi

**Conectar la red Wi-Fi e internet**

- Primero se establece la conexión a la red Wi-Fi [1], confirmando con un clic
- Segundo, se establece la conexión al internet [2], confirmando con un clic

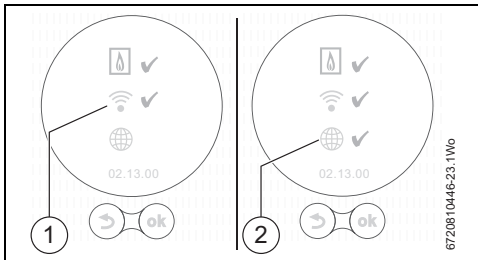


Fig. 30 Conectar la red Wi-Fi y el internet

**i** ¿Hay algún problema al establecer la conexión? Véase la guía de solución de problemas en la página 11

- En caso de haber establecido todas las conexiones, el sistema sincronizará los datos.
- La pantalla visualizará la pantalla básica.

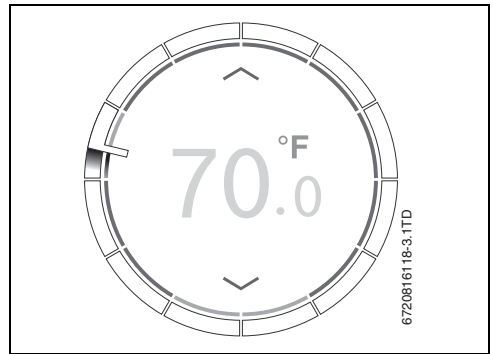


Fig. 31 Pantalla básica

**i** En la base de datos de las aplicaciones del sistema de control inteligente se encuentra la sección de la base de datos para iPhone pero necesita ser instalado en el iPhone o iPad.

- Descargue la aplicación del sistema de control inteligente de su dispositivo inteligente de:
  - 
  -
- Instalar la aplicación del sistema de control inteligente en su dispositivo inteligente
- Establecer una conexión al sistema de control inteligente desde su dispositivo inteligente
- Registrar la aplicación en la página internet del sistema de control inteligente.
- Ingresar el código de acceso único (→ etiqueta en la página frontal).
- Fijar una contraseña personal de su elección y anótela en la portada de este manual de servicio.

**5 Funcionamiento**

La pantalla táctil ha sido desarrollada para un manejo manual limitado, para todas las demás operaciones y programaciones de la aplicación debe utilizar la aplicación de la sistema de control inteligente en su dispositivo inteligente.

**5.1 Calefacción**

**5.1.1 Cambio de ajustes de temperatura**

La pantalla táctil se activa cuando alguien se aproxima. Se puede realizar el cambio de temperatura de las siguientes 3 maneras.

### Desplazar el dedo por la pantalla

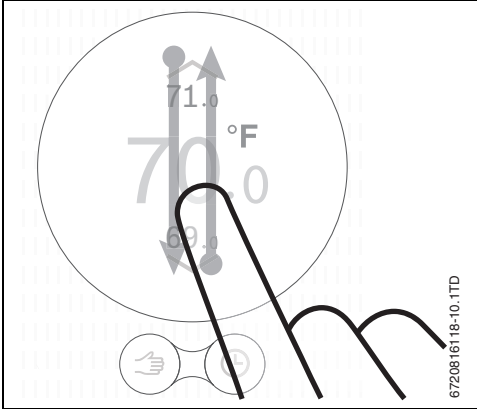


Fig. 32 Desplazar el dedo por la pantalla

- Desplazar el dedo por la pantalla o cambiar la temperatura.

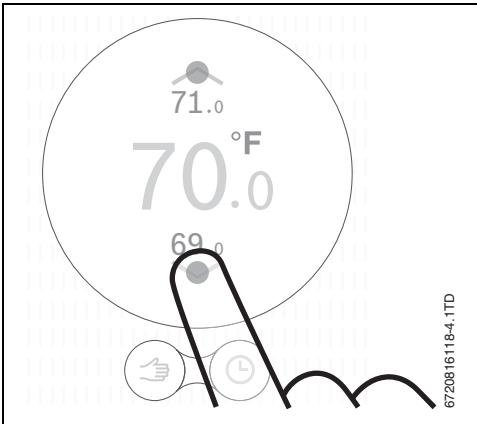


Fig. 33 Tocar la pantalla

- Tocar la pantalla encima o debajo de la temperatura visualizada para cambiarla.

### Mantener pulsado (por mayor tiempo)

- Pulsar y mantener pulsada la tecla de flecha hacia arriba o hacia abajo para cambiar rápidamente la temperatura visualizada.

### 5.1.2 Modo manual / programa de tiempo

El programa de tiempo sólo puede ajustarse utilizando la aplicación en su dispositivo inteligente.

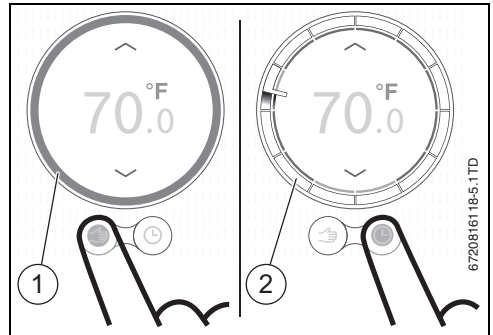


Fig. 34 Seleccionar modo manual/programa de tiempo

- [1] Anillo de modo manual
- [2] Anillo de modo de tiempo

- Pulse brevemente el modo manual o la tecla de programa de tiempo para cambiar entre estas funciones.

## 5.2 Agua caliente

### 5.2.1 Calderas mixtas

La función de precalentamiento de la caldera debe ser activada para permitir que el sistema de control inteligente tenga control sobre el agua caliente.

Véase el manual de uso de la caldera mixta para activar la función de precalentamiento, p.ej. desconectar la función ECO.

Para calderas mixtas, las pantallas de control de agua caliente sólo están accesibles si usted activó anteriormente el control de agua caliente en la aplicación.

### 5.2.2 Ajuste temporal del programa de tiempo de agua caliente

Pulse la tecla virtual del "programa de tiempo" dos veces para ingresar la función de tiempo de agua caliente, pulse la tecla virtual de "control temporal de agua caliente" para activar el agua caliente hasta el siguiente período o la tecla virtual "no temporal" para desconectar la función de agua caliente hasta el siguiente período.

Pulse la tecla virtual "Retorno" para regresar a la pantalla inicial.



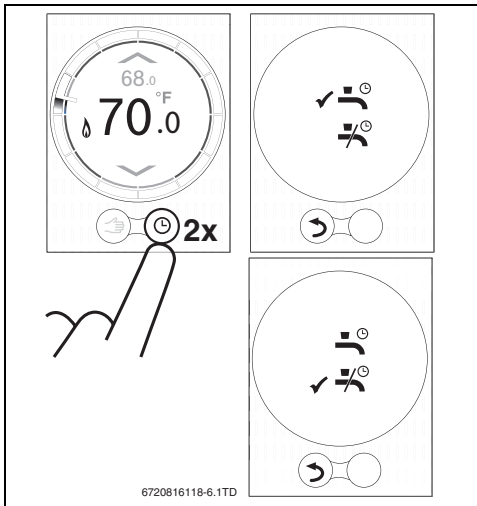


Fig. 35 Pantallas de agua caliente

### 5.2.3 Conectar o desconectar permanentemente la producción del agua caliente

Pulsar la tecla virtual "manual" (mano) dos veces para ingresar la función, pulse la tecla virtual de "Agua caliente" para la conexión permanente o la tecla virtual "No agua caliente" para la desconexión permanente.

Pulse la tecla virtual "Retorno" para regresar a la pantalla inicial.

El agua caliente permanecerá conectado permanentemente hasta pulsar nuevamente la tecla del "Programa de tiempo".

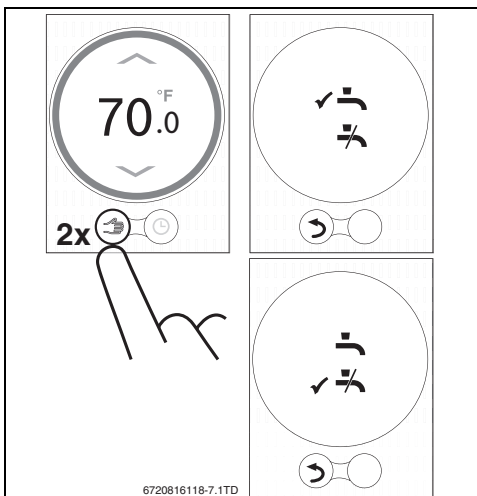


Fig. 36 Conexión o desconexión permanente

## 6 Especificaciones

Descripción	Unidad	Valor
Alimentación de voltaje	V DC	14.3 a 16.0
Consumo (máximo)	F	0,9
Dimensiones (L x Al x An)	pulgadas	4 x 6,7 x 1
	mm	100 x 145 x 27
Peso	lbs	0,55
	g	250
Temperatura de funcionamiento admitida	°F	32 a 113
	°C	0 a 45
Humedad relativa permitida	%	10 a 90
Conexión (Wi-Fi)		802.11b/g

Tab. 8 Especificaciones

## 7 Mantenimiento y eliminación de fallas

### 7.1 Limpieza de la pantalla táctil

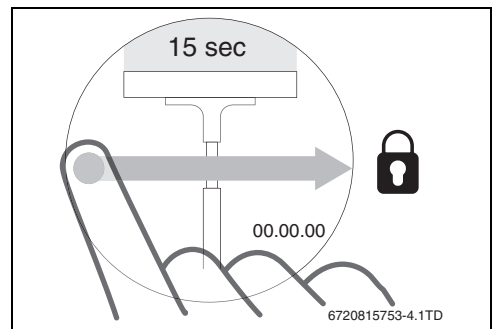


Fig. 37 Protección de la pantalla táctil

- ▶ Limpie la pantalla táctil en 15 segundos con un paño limpio y seco.

### 7.2 Cambie la red Wi-Fi o ingrese una nueva contraseña de red

Para registrar el sistema de control inteligente en una nueva red Wi-Fi o, en caso de que la red existente tenga una nueva contraseña:

- ▶ Resetee el sistema de control inteligente (→ sección 7.3.2).
- ▶ Cumpla con los pasos a seguir para fijar una red Wi-Fi (→ sección 4.6.3).

### 7.3 Eliminación de fallas



Mensajes de avería de la caldera son visualizados en la pantalla y enviados automáticamente del sistema de control inteligente a la aplicación.

#### 7.3.1 Después de un corte de luz

Todos los ajustes quedan guardados durante un corte de luz. Después de restablecer la conexión con la red Wi-Fi, los ajustes serán sincronizados con el servidor externo.

► Controlar la configuración de la fecha y de la hora

En caso de **no** poder establecer una conexión a la red Wi-Fi, es posible configurar la hora y el tiempo a través de una conexión Wi-Fi directa con la aplicación desde un dispositivo inteligente. El sistema sincroniza automáticamente la fecha y la hora.

#### 7.3.2 Resetear el sistema de control inteligente

En caso de que el sistema de control inteligente no funcione correctamente, es posible desconectarlo brevemente de la base de la pared y reconectarlo (→ fig. 7, página 6).

En caso de que esto no solucione el problema se puede pulsar la tecla Reset (→ fig. 19) con el sistema de control inteligente montado en la pared durante unos segundos para remover la visualización de la avería. En caso de repetirse la visualización

de la avería, contactar al instalador o a su Servicio Técnico Oficial de Bosch.



#### Reseteo

Al utilizar la tecla de reseteo, el sistema borra todos los ajustes personales y será necesario restablecer la conexión Wi-Fi.

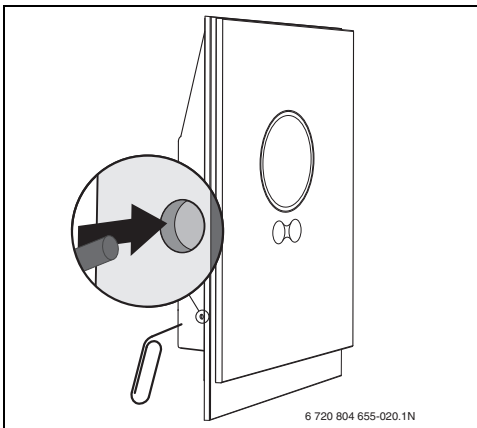






Fig. 38 Reseteo

#### 7.3.3 Eliminación de fallas

En la aplicación Páginas “info” consta una lista completa de las preguntas frecuentes.

Error	Solución
<b>No hay conexión Wi-Fi</b>	La señal Wi-Fi desde el router Wi-Fi posiblemente no es lo suficientemente fuerte. Contacte a su proveedor de Wi-Fi o considere comprar un repetidor de Wi-Fi en algunas situaciones.
<b>No se encontró una red Wi-Fi</b>	La función de ocultar el router Wi-Fi puede estar conectada o la función de transmisión (transmisión del SSID) puede estar desconectada. Desconectar temporalmente la función de ocultar o conectar la función de transmisión.
 <b>La pantalla permanece conectada</b>	Probablemente la red Wi-Fi está protegida con un protocolo “WEP64”. El sistema no apoya el protocolo. Cambiar el protocolo de seguridad del router.
<b>Dirección IP</b>	No se ha asignado ninguna dirección IP al router. Esto puede demorar un poco. Puede ser necesario ingresar manualmente una dirección IP en el router (→ router manual).
<b>Se instaló un router nuevo o una red Wi-Fi nueva</b>	Retirar el sistema de control inteligente de la base de la pared, esperar 10 segundos y colocar el sistema de control inteligente nuevamente. En la pantalla se visualizarán todas las redes Wi-Fi registradas (→ sección 4.6.3).
<b>No se visualiza el anillo temporal del sistema de control inteligente</b>	La conexión con el servidor está interrumpida. Esperar hasta haber restaurado la conexión.
<b>Falta el número de serie y el código de acceso</b>	El número de serie y el código de acceso se encuentran ambos en la pegatina en la portada de estas instrucciones así como en la pegatina situada en la parte posterior del sistema de control inteligente. En caso de utilizar una aplicación para registrarse, el número de serie y el código de acceso se visualizarán en la aplicación accediendo al submenú “Información de producto” a través del menú “Info”. En caso de no poder encontrar el número de serie y el código de acceso, contacte al instalador o a su Servicio Técnico Oficial de Bosch.

Tab. 9 Lista de eliminación de fallas

Error	Solución
<b>La aplicación no puede conectarse con el sistema de control inteligente</b>	¿Está conectado el sistema de control inteligente a internet (→sección 4.6.3)? ¿Ha sido ingresado correctamente el número de serie y el código de acceso? Tenga en cuenta que estos son muy sensibles. Existe una posible demora al establecer la conexión. Esperar unos pocos minutos.
<b>Pantalla táctil bloqueada, contando regresivamente</b>	Un desplazamiento horizontal con el dedo por la pantalla desactiva la pantalla táctil. La pantalla táctil está bloqueada durante 15 segundos para poder limpiarla. La pantalla táctil debe estar bloqueada en la aplicación, controle la aplicación y desbloquéela en caso de ser necesario.
<b>La temperatura visualizada es demasiado alta o demasiado baja</b>	En la aplicación se puede calibrar la temperatura visualizada.
<b>No se conectará la pantalla táctil</b>	En caso de que la detección sea mayor a 5 minutos, la pantalla táctil se desconectará automáticamente. Después de ello se podrá activar la pantalla únicamente tocándola.
 <b>Tecla virtual visible en la pantalla</b>	No hay una conexión al servidor de internet; esperar hasta que se haya restaurado automáticamente la conexión al servidor de internet. Una vez inicializada, la caldera sólo podrá ser controlada manualmente; no está disponible un programa de tiempo.
<b>Contraseña con caracteres \$</b>	El sistema de control inteligente utiliza un programa Wi-Fi estándar, de manera que no es posible utilizar un carácter \$ en la contraseña del router Wi-Fi. Retirar el carácter \$ de la contraseña del router.
 <b>permanece activado</b>	La señal desaparece si se cambia la temperatura en la pantalla o si se alcanzó el siguiente punto de mutación en el modo de programa de tiempo.
<b>La aplicación no funciona por completo.</b>	Al desembalar el sistema de control inteligente, éste probablemente no estará con el software actualizado y, como resultado, no estarán disponibles todas las funciones posibles de la app. El software se actualiza automáticamente a través de su conexión de internet, lo cual puede durar algunos días.
 <b>Tecla virtual visible en la pantalla</b>	Indicación de uno de los siguientes mensajes: intentos repetidos de encendido; la caldera indica un mensaje de mantenimiento. Esto se encuentra enlazado a una señal de información. La caldera funciona normalmente.
<b>El sistema de control inteligente no recibió ninguna actualización</b>	El software es actualizado automáticamente y se requiere una conexión constante a internet para ello. En caso de que el router no está conectado continuamente se puede perder una actualización.

Tab. 9 Lista de eliminación de fallas

---

## 8 Bosch Control (CT 100)

### Bosch Termostato inteligente

#### GARANTÍA LIMITADA

#### MODELOS CUBIERTOS

La presente garantía limitada cubre a Robert Bosch México, S.L.U. ("Bosch") y abarca el control Bosch, el termostato inteligente (mencionado a continuación como "Producto"). La presente garantía es válida para el primer comprador del producto en la medida en que éste permanezca instalado en su emplazamiento de instalación original.

#### COBERTURA DE LA GARANTÍA

##### Garantía limitada

Bosch garantiza que el producto permanecerá libre de defectos en material y de equipamiento por un plazo de (3) años desde la fecha de la instalación original o desde la fecha de producción, en caso de no estar a la disposición una prueba de instalación, con la condición de que haya sido instalada y sometida correctamente a un mantenimiento por una empresa especializada y que se hayan cumplido las demás condiciones de esta garantía. En caso de que Bosch determine que el producto tiene un defecto de fabricación o de materiales, Bosch, por su lado, reparará o reemplazará la pieza defectuosa.

#### ELEMENTOS NO CUBIERTOS

Esta garantía limitada no cubre las circunstancias siguientes:

1. Los componentes y piezas no facilitados por Bosch.
2. Componentes de mantenimiento y mantenimiento habitual de conformidad con el manual de instalación.
3. Componentes o piezas en las que se haya removido, alterado o borrado las etiquetas o las pegatinas con el nombre.
4. Rayones o decoloración del acabado.
5. El rendimiento del equipamiento de la instalación. Bosch recusa toda responsabilidad derivada de un rendimiento insatisfactorio como consecuencia de una instalación, una reparación o un mantenimiento deficientes.
6. Costes de mano de obra y de material derivados de la eliminación, reinstalación, reparación y sustitución de los componentes o piezas defectuosas.
7. Gastos de electricidad o incrementos o ahorros no realizados en la misma, por cualquier motivo que este sea.
8. Daños provocados por el funcionamiento del generador de calor en una atmósfera corrosiva, incrustaciones o un suministro de agua dura o con un elevado contenido en minerales, cortes en el suministro eléctrico, impurezas de agua, inundaciones o actos fortuitos.
9. Daños causados por cualquier añadido o modificación en el producto, incluido cualquier dispositivo de ahorro energético.
10. Daños por el producto por no haber sido instalado según los códigos y regulaciones nacionales y locales de montaje y/o de instalación.
11. Costes de transporte, de envío y de gestión que se le puedan presentar al comprador derivados de la reparación o la sustitución del producto.

#### GARANTÍA LIMITADA

MÁS ALLÁ DE LAS OBLIGACIONES DE BOSCH AQUÍ ESTIPULADAS DE FORMA EXPRESA, BOSCH RECHAZA TODAS LAS GARANTÍAS EXPRESAS DE IMPLÍCITAS, ESPECIALMENTE LAS GARANTÍAS IMPLÍCITAS CON RESPECTO A LA COMERCIABILIDAD O LA APTITUD PARA UN FIN DETERMINADO.

LA GARANTÍA LIMITADA DE BOSCH ANTERIORMENTE MENCIONADA INCLUYE LAS OBLIGACIONES EXCLUSI-

VAS CON RESPECTO AL PRODUCTO, ASÍ COMO LAS SOLUCIONES ESTÁN ESTIPULADAS EN LA GARANTÍA LIMITADA ANTES MENCIONADA. BOSCH NO SE RESPONSABILIZARÁ DE DAÑOS Y PERJUICIOS DIRECTOS, INDIRECTOS, PUNITIVOS, FORTUITOS, O SIMILARES, INCLUYENDO, SIN LÍMITES LA LESIÓN O EL DAÑO DE PERSONAS O DE PROPIEDAD O DE DAÑOS POR PÉRDIDA DE USO, GANANCIAS PERDIDAS, INCONVENIENCIAS O PÉRDIDA DE TIEMPO. ADVERTENCIA: PARA LOS PRODUCTOS SUSTITUIDOS Y REPARADOS, EL PERÍODO DE GARANTÍA CORRESPONDE ÚNICAMENTE AL PERÍODO NO TRANSCURRIDO DE LA GARANTÍA ORIGINAL.

Algunos Estados no permiten la exclusión de la limitación de daños, o limitaciones sobre la duración de una garantía implícita, por lo que puede que las limitaciones y exclusiones anteriores no le sean de aplicación.

#### **UTILIZACIÓN DE LA GARANTÍA**

En caso de utilización de la garantía, informe a la empresa especializada en calefacción que ha instalado su producto solicitando que informen al vendedor del cual adquirió el producto. Si esto no fuese posible o si no obtuviera ninguna respuesta, diríjase a Robert Bosch S. de R.L. de C.V., División de Termotecnología, Circuito Guillermo González Camarena No. 333, Col. Centro de Ciudad Santa Fe, Álvaro Obregón, C.P.: 01210 México, D.F. Para el procesamiento de su derecho, necesita una copia de la factura original o cualquier otra prueba de compra, como documentación en la que conste el emplazamiento original de instalación y la fecha de ésta. El producto supuestamente defectuoso se debe devolver a BTC a través de la vía correspondiente, de conformidad con los procedimientos de BTC válidos en cada caso para la manipulación de mercancías devueltas para la comprobación e indagación de la causa del defecto (en caso de dudas sobre el proceso de devolución, diríjase a BTC). En caso de que BTC constate que el producto presente defectos y la garantía existente los cubra, BTC pone el producto reparado o de sustitución a disposición de un vendedor autorizado, quien lo reenviará a la empresa especializada en calefacción que ha instalado su producto.

Esta garantía se aplica únicamente a productos Bosch instalados en los Estados Unidos continentales y en Canadá.

**United States and Canada /  
Les États Unis et le Canada**

Bosch Thermotechnology Corp.  
50 Wentworth Avenue  
Londonderry, NH 03053  
Tel. 603-552-1100  
Fax 603-965-7581  
www.bosch-climate.us  
U.S.A. / Les États Unis

Products manufactured by /  
Produits fabriqués par  
Bosch Thermotechnik GmbH  
Junkersstrasse 20-24  
D-73249 Wernau  
www.bosch-thermotechnology.com

Bosch Thermotechnology Corp. reserves the right  
to make changes without notice due to continuing  
engineering and technological advances.

Dans le but d'améliorer continuellement ses produits,  
Bosch Thermotechnology Corp. se réserve le droit de  
procéder à des modifications techniques sans préavis.

---

**México**

Robert Bosch S. de R.L. de C.V.  
División de Termotecnología  
Circuito Guillermo González Camarena No. 333,  
Col. Centro de Ciudad Santa Fe.  
Álvaro Obregón  
C.P.: 01210 México, D.F.  
Fax: (55) 5284 3077  
www.bosch.com.mx



Para dudas, conexión, garantía o mantenimiento:  
termotecnologia@mx.bosch.com  
Del D.F. y Área Metropolitana 1500 5867  
Del resto de la República 01 800 11 BOSCH (26724)