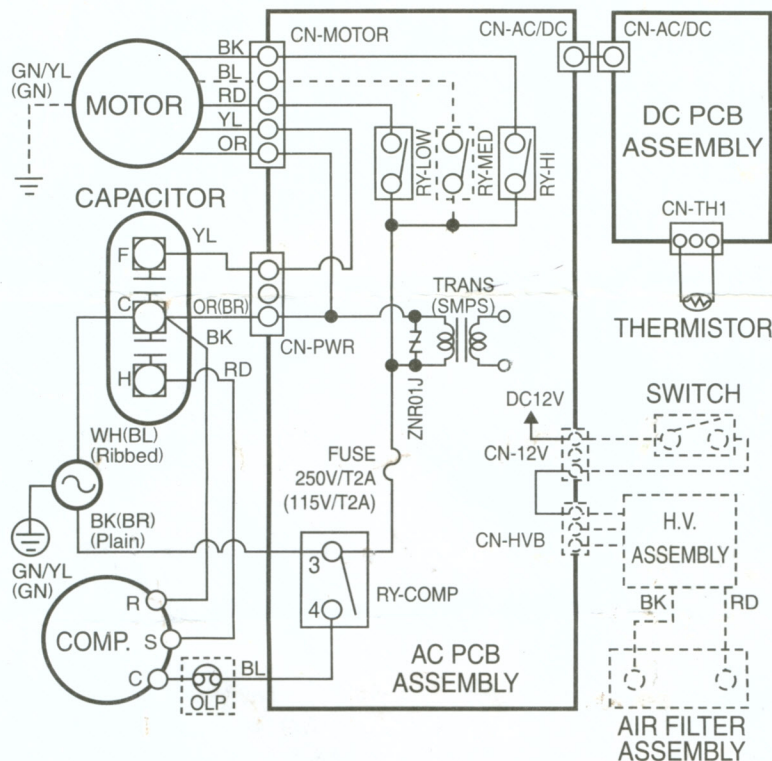


THIS INFORMATION IS DESIGNED TO ASSIST QUALIFIED REPAIR PERSONNEL ONLY. UNTRAINED PERSONS SHOULD NOT ATTEMPT TO MAKE REPAIRS DUE TO THE POSSIBILITY OF ELECTRICAL SHOCK.

TECH SHEET

PART NO. 3850A20439U



NOTE:

For compressor terminal arrangement, refer to compressor terminal cover.

Refer to Label Quality For:
Voltage, Amps,
And Refrigerant Charge.

Locked Rotor Amps 56

WARNING

DISCONNECT FROM ELECTRICAL SUPPLY BEFORE SERVICING

FUNCTIONAL PARTS

NAME	PART NO.
Compressor	2520UCBK027
Capacitor	0CZZA20005Y
Fan Motor	4681A20069K
Spring Clip (for Turbo Fan, Fan)	3H02932B
Turbo Fan	5900A20019C
Fan	5900A10009B
Thermistor	6323A20004P
Overload Protector	6750U-L067A (MRA12151-12027)

NOTICE: PLEASE RETURN THIS SHEET TO ITS ORIGINAL LOCATION

Illusion of conscious will