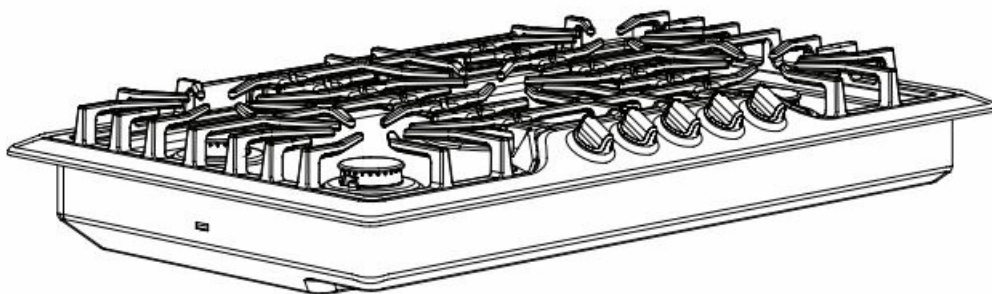
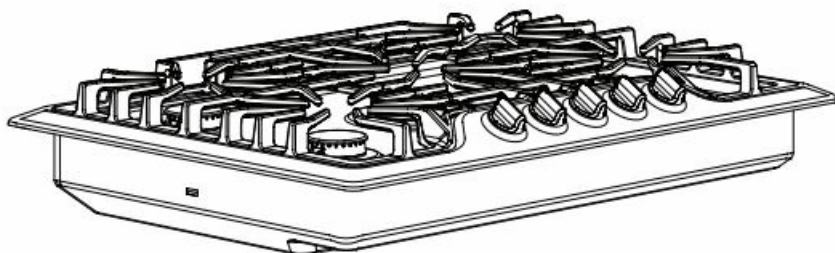


BRÄNNPUNKT AVBRÄNNING

CLICK ANYWHERE On THIS PAGE to RETURN to GAS COOKTOP INSTALLATION GUIDES at InspectApedia.com



INSTALLATION AND SERVICE MUST BE PERFORMED BY A QUALIFIED INSTALLER.



IMPORTANT: SAVE FOR LOCAL ELECTRICAL
INSTRUCTIONS FOR FUTURE REFERENCE.

INSPECTOR'S USE. READ AND SAVE THESE



WARNING!


FOR YOUR SAFETY: Do not store or use gasoline or other flammable vapors and liquids in the vicinity of this or any other appliance.


Your safety and the safety of others are very important.

We have provided many important safety messages in this manual and on your appliance. Always read and obey all safety messages.



This is the safety alert symbol. This symbol alerts you to potential hazards that can kill or hurt you and others. All safety messages will follow the safety alert symbol and either the word “WARNING” or “CAUTION.”

 **WARNING!** Indicates a potentially hazardous situation which, if not avoided, may result in death or serious injury.

 **CAUTION!** Indicates a potentially hazardous situation which, if not avoided, may result in minor or moderate injury.

All safety messages will tell you what the potential hazard is, tell you how to reduce the chance of injury, and tell you what can happen if the instructions are not followed.



Electric Shock Hazard

Disconnect power before servicing.

Use 12-gauge solid copper wire.

Electrically ground oven.

Failure to follow these instructions can result in death, fire, or electrical shock.

Appliances Installed in the state of Massachusetts:

This Appliance can only be installed in the state of Massachusetts by a Massachusetts licensed plumber or gas fitter. This appliance must be installed with a three (3) foot / 36 in. long flexible gas connector. A “T” handle type manual gas valve must be installed in the gas supply line to this appliance.



WARNING!

If the information in this manual is not followed exactly, a fire or explosion may result causing property damage, personal injury or death.

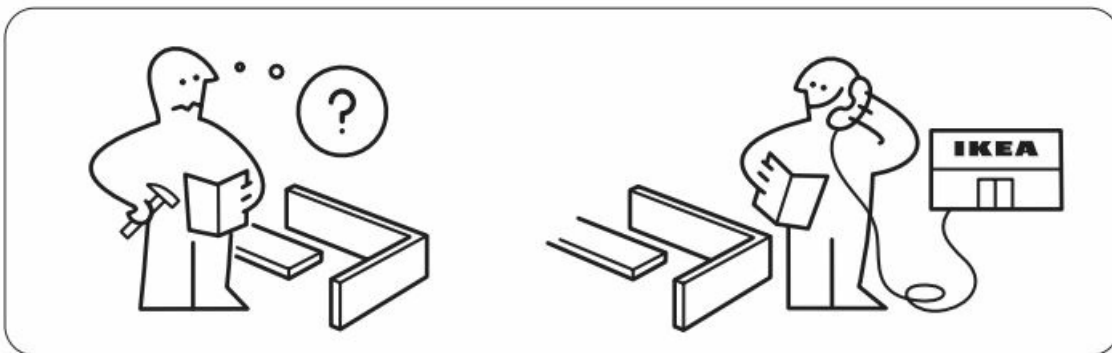
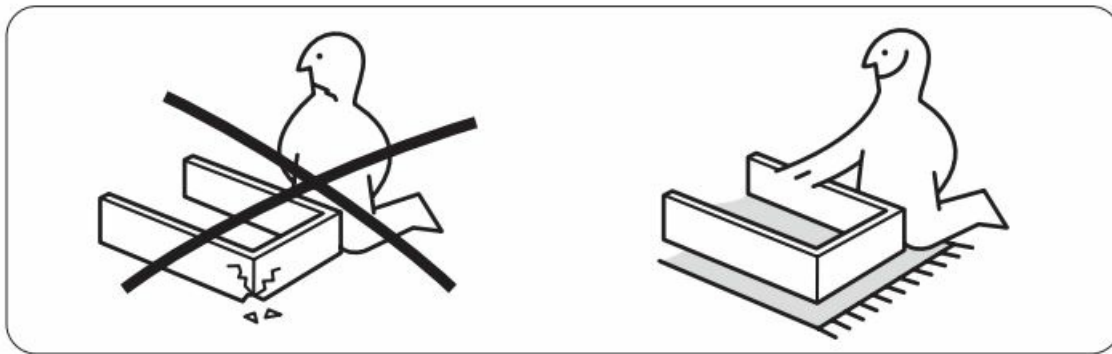
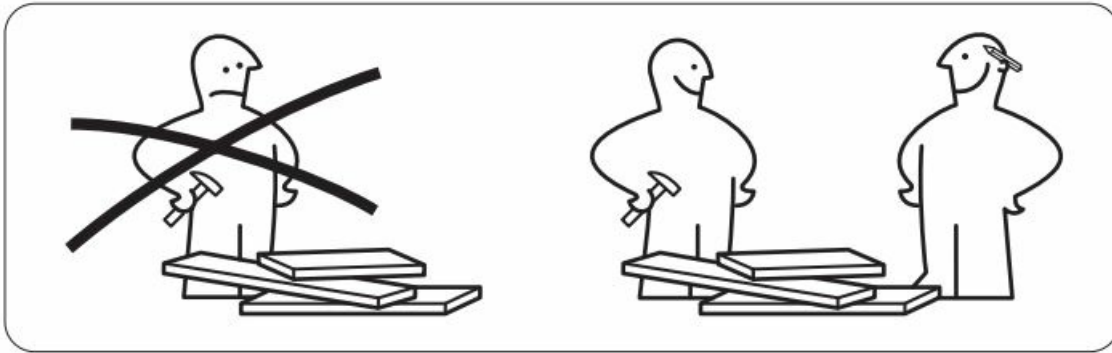
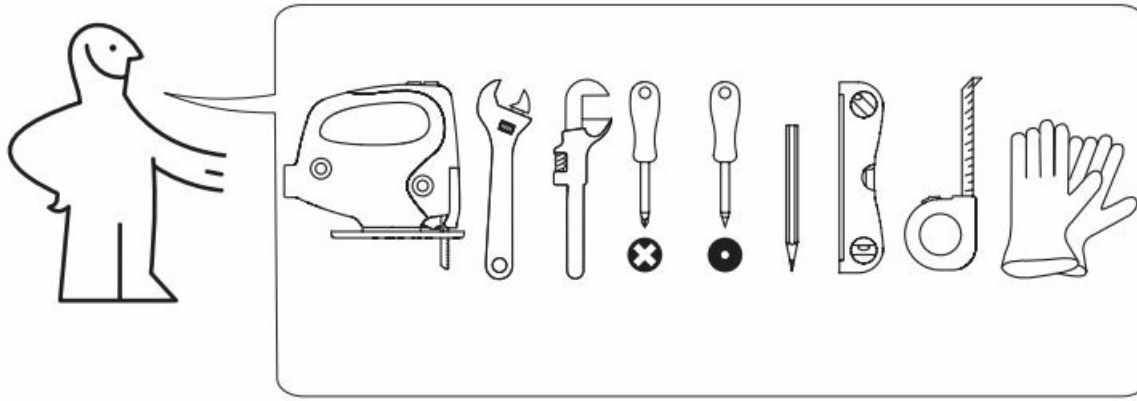
FOR YOUR SAFETY:

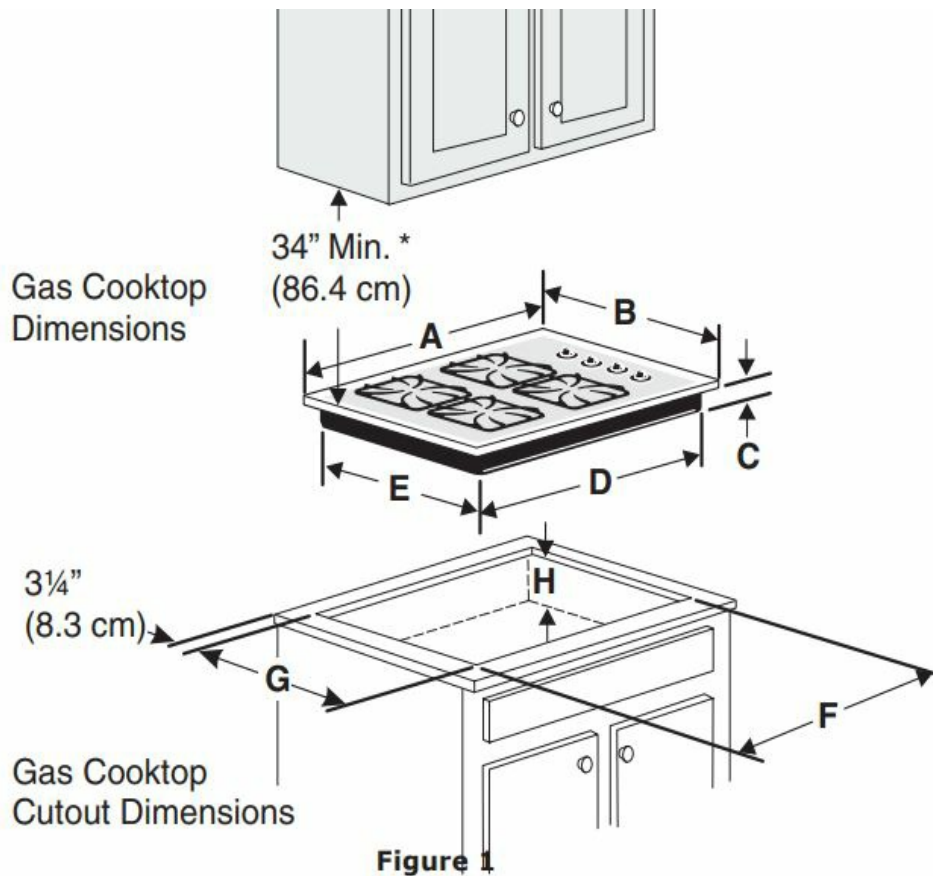
— Do not store or use gasoline or other

flammable vapors and liquids in the vicinity of this or any other appliance.

— **WHAT TO DO IF YOU SMELL GAS:**

- Do not try to light any appliance.
- Do not touch any electrical switch; do not use any phone in your building.
- Immediately call your gas supplier from a neighbor’s phone.
- Follow the gas supplier’s instructions.
- If you cannot reach your gas supplier, call the fire department.
 - Installation and service must be performed by a qualified installer, service agency or the gas supplier.





| PRODUCT DIMENSIONS | | | | | |
|--------------------|-------------|-------------|-------------|--------------|-------------------------|
| MODEL | A. WIDTH | B. DEPTH | C. HEIGHT | D. BOX WIDTH | E. BOX DEPTH |
| 30" Gas Cooktop | 30 (76.2) | 21 ¾ (55.2) | 4 ¼ (10.8) | 28 (71.1) | 19 ⅜ (49.2) |
| 36" Gas Cooktop | 36 (91.4) | 21 ¾ (55.2) | 4 ¼ (10.8) | 33 ⅝ (85.4) | 19 (48.3) |
| CUTOUT DIMENSIONS | | | | | |
| MODEL | F. WIDTH | | G. DEPTH | | H. HEIGHT BELOW COOKTOP |
| | MINIMUM | MAXIMUM | MINIMUM | MAXIMUM | |
| 30" Gas Cooktop | 28 ¼ (71.8) | 28 ⅝ (72.7) | 19 ⅜ (49.2) | 19 ¾ (50.2) | 8 (20.3) |
| 36" Gas Cooktop | 33 ⅞ (86) | 34 ¼ (87) | 19 ⅜ (49.2) | 19 ¾ (50.2) | 8 (20.3) |

All dimensions are stated in inches and (cm). Dimension H includes a 5" (12.7 cm) space underneath the cooktop for connection to gas supply line.

Important Notes to the Installer

1. Read all instructions contained in these installation instructions before installing the cooktop.
2. Remove all packing material before connecting the electrical supply to the cooktop.
3. Observe all governing codes and ordinances.
4. Be sure to leave these instructions with the consumer.
5. Note: For operation at 2000 ft. elevations above sea level, appliance rating shall be reduced by 4 percent for each additional 1000 ft.
6. All materials used in construction of cabinets, enclosures, and supports surrounding the product must have a temperature rating above 194°F (90°C).

Important Note to the Consumer

Keep these instructions with your User manual for future reference.

Contents [[hide](#)]

1 IMPORTANT SAFETY INSTRUCTIONS

2 TYPICAL UNDER COUNTER INSTALLATION OF AN ELECTRIC BUILT-IN OVEN WITH A COOKTOP MOUNTED ABOVE

3 TYPICAL GAS COOKTOP INSTALLATION OVER AN ELECTRIC BUILT-IN OVEN INSTALLED UNDER THE COUNTER

3.1 1. Wall Outlet Location

3.2 2. Cooktop Installation

3.3 3. Provide an Adequate Gas Supply

3.4 4. LP/Propane Gas Conversion

3.5 5. Install Pressure Regulator

3.6 6. Electrical Requirements

3.7 7. Check Operation

4 File Downloads

5 Related Manuals

IMPORTANT SAFETY INSTRUCTIONS

Installation of this cooktop must conform with local codes or, in the absence of local codes, with the National Fuel Gas Code ANSI Z223.1/NFPA 54 in the United States, or in Canada, with the Canadian Fuel Gas Code, CAN/CGA B149 and CAN/ CGA B149.2.

- When installed in a manufactured (mobile) home installation must conform with the Manufactured Home Construction and Safety Standard, title 24 CFR, part 3280 [Formerly the Federal Standard for Mobile Home Construction and Safety, title 24, HUD (part 280)] or, when such standard is not applicable, the Standard for Manufactured Home Installation, ANSI/NCSBCS A225.1 or with local codes where applicable. This cooktop has been design certified by CSA International. As with any appliance using gas and generating heat, there are certain safety precautions you should follow. You will find them in the User manual, read it carefully.
- Be sure your cooktop is installed and grounded properly by a qualified installer or service technician.
- This cooktop must be electrically grounded in accordance with local codes or, in their absence, with the National Electrical Code ANSI/NFPA No. 70—latest edition in the United States, or in Canada, with the Canadian Electrical Code, CSA C22.1 Part 1.
- The burners can be lit manually during an electrical power outage. To light a burner, hold a lit match to the burner head, then slowly turn the Surface Control knob to LITE. Use caution when lighting burners manually.
- Do not store items of interest to children in cabinets above the cooktop. Children could be seriously burned climbing on the cooktop to reach items.
- To eliminate the need to reach over the surface burners, cabinet storage space above the burners should be avoided.
- Adjust surface burner flame size so it does not extend beyond the edge of the cooking utensil. Excessive flame is hazardous.
- Never use your cooktop for warming or heating the room. Prolonged use of the cooktop without adequate ventilation can be hazardous.
- Do not store or use gasoline or other flammable vapors and liquids near this or any other appliance. Explosions or fires could result.

WARNING!

The electrical power to the cooktop must be shut off while gas line connections are being made. Failure to do so could result in serious injury or death.

Installation Bracket Type 1



2x



2x

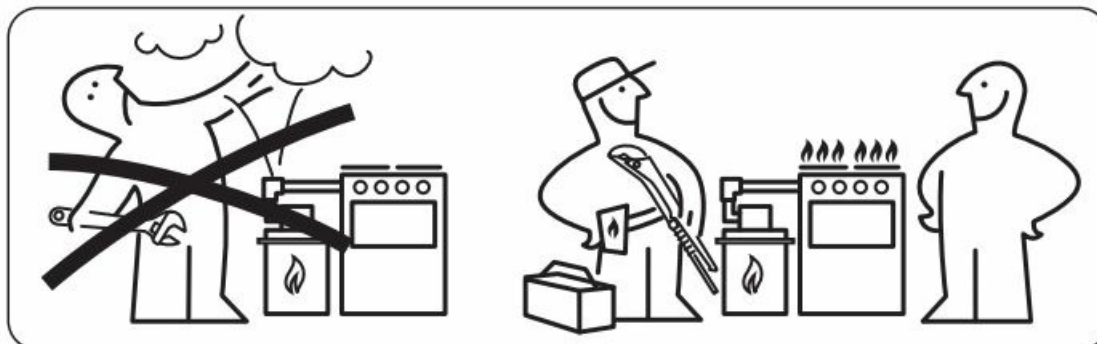
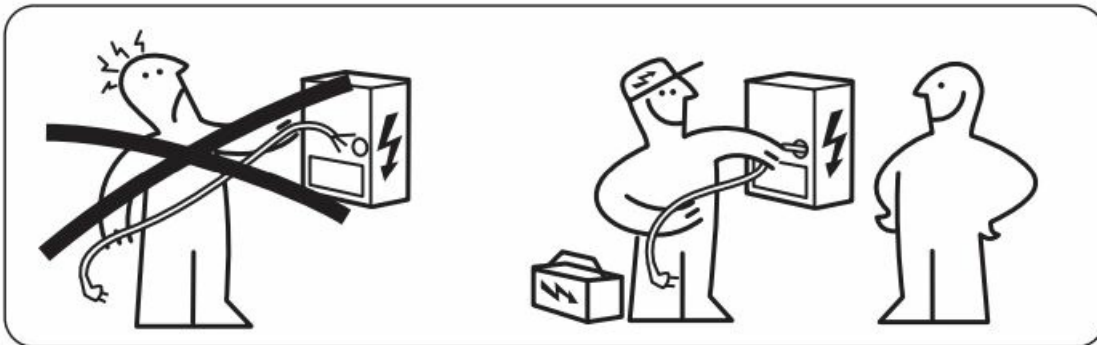
Installation Bracket Type 2



2x

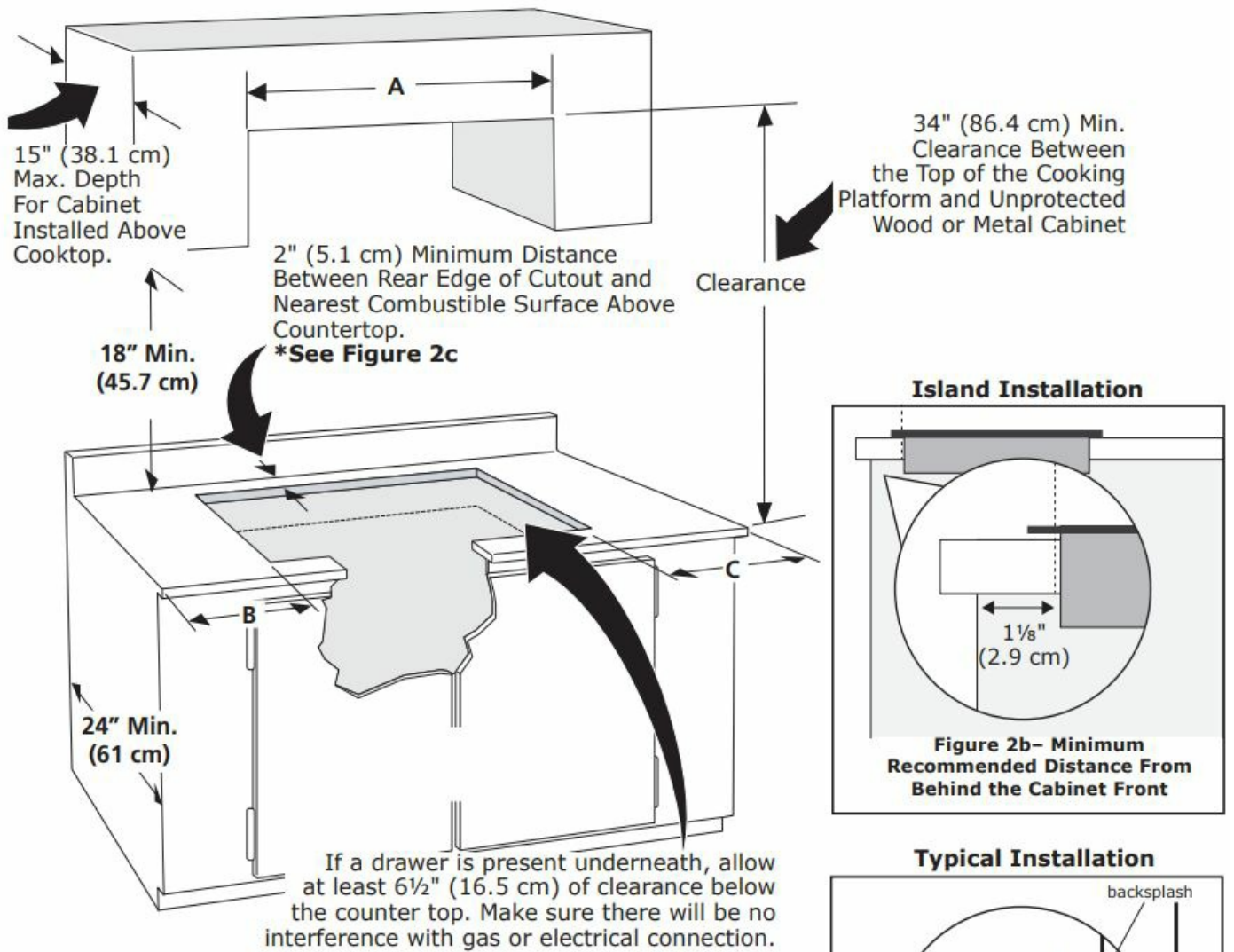


2x



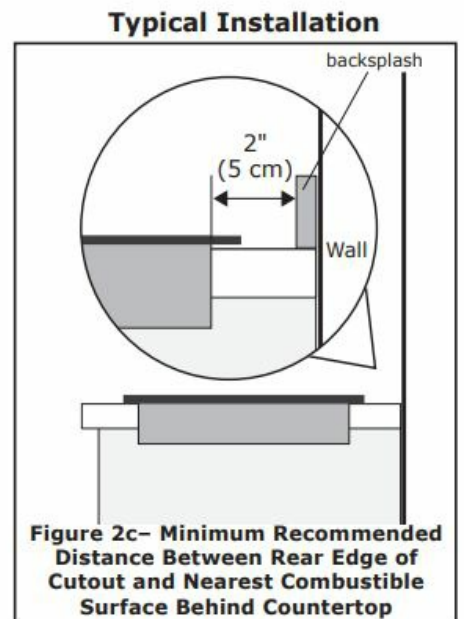
CAUTION!

To eliminate the risk of burns or fire from reaching over heated surfaces, cabinet storage space located above the cooktop should be avoided. If cabinet storage is provided, risk can be reduced by installing a range hood that projects horizontally a minimum of 5" (12.7 cm) beyond the bottom of the cabinets. Never store flammable products in the drawer.



| MODEL | A | B. Minimum Clearance from Left Side | C. Minimum Clearance from Right Side |
|-------------|---------------|-------------------------------------|--------------------------------------|
| 30" Cooktop | 30" (76.2 cm) | 12" (30.5 cm) | 12" (30.5 cm) |
| 36" Cooktop | 36" (91.4 cm) | 12" (30.5 cm) | 12" (30.5 cm) |

Figure 2a - CABINET DESIGN



TYPICAL UNDER COUNTER INSTALLATION OF AN ELECTRIC BUILT-IN OVEN WITH A COOKTOP MOUNTED ABOVE

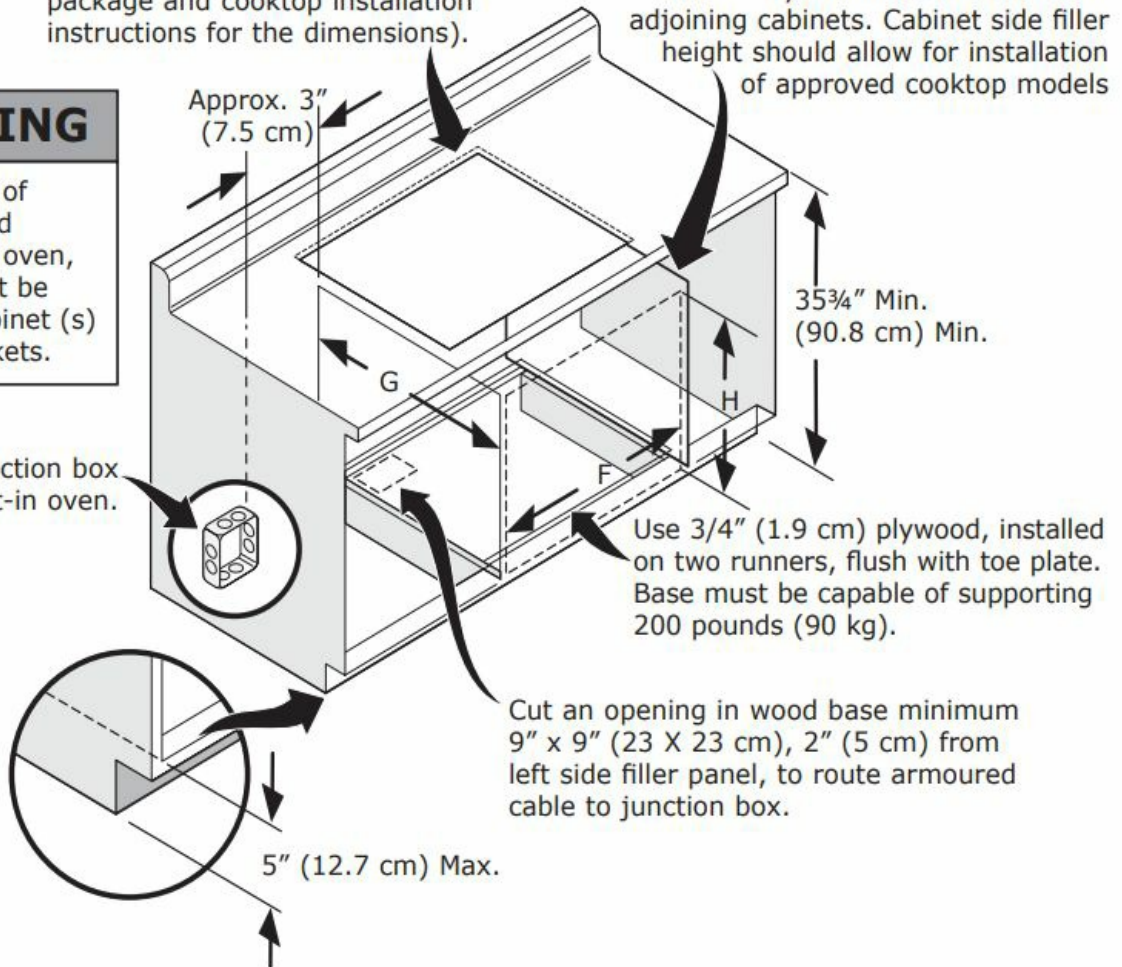
Only certain cooktop models may be installed over certain built-in electric oven models. Approved cooktops and built-in ovens are listed by the MFG ID number and product code (see the insert sheet included in the literature package and cooktop installation instructions for the dimensions).

Cabinet side filler panels are necessary to isolate the unit from adjoining cabinets. Cabinet side filler height should allow for installation of approved cooktop models

⚠ WARNING

To reduce the risk of personal injury and tipping of the wall oven, the wall oven must be secured to the cabinet (s) by mounting brackets.

208/240 Volt junction box for built-in oven.



| OVEN SIZE | CUTOUT DIMENSIONS (INCHES (CM)) | | | | |
|------------|---------------------------------|---------------|----------------|----------------|----------------|
| | F. WIDTH | | G. DEPTH | H. HEIGHT | |
| | Min. | Max. | Min. | Min. | Max. |
| 30" (76.2) | 28½" (72.4) | 29" (73.7) | 23½" (59.7) | 27¼" (69.2) | 28½" (72.4) |

Figure 3

TYPICAL GAS COOKTOP INSTALLATION OVER AN ELECTRIC BUILT-IN OVEN INSTALLED UNDER THE COUNTER

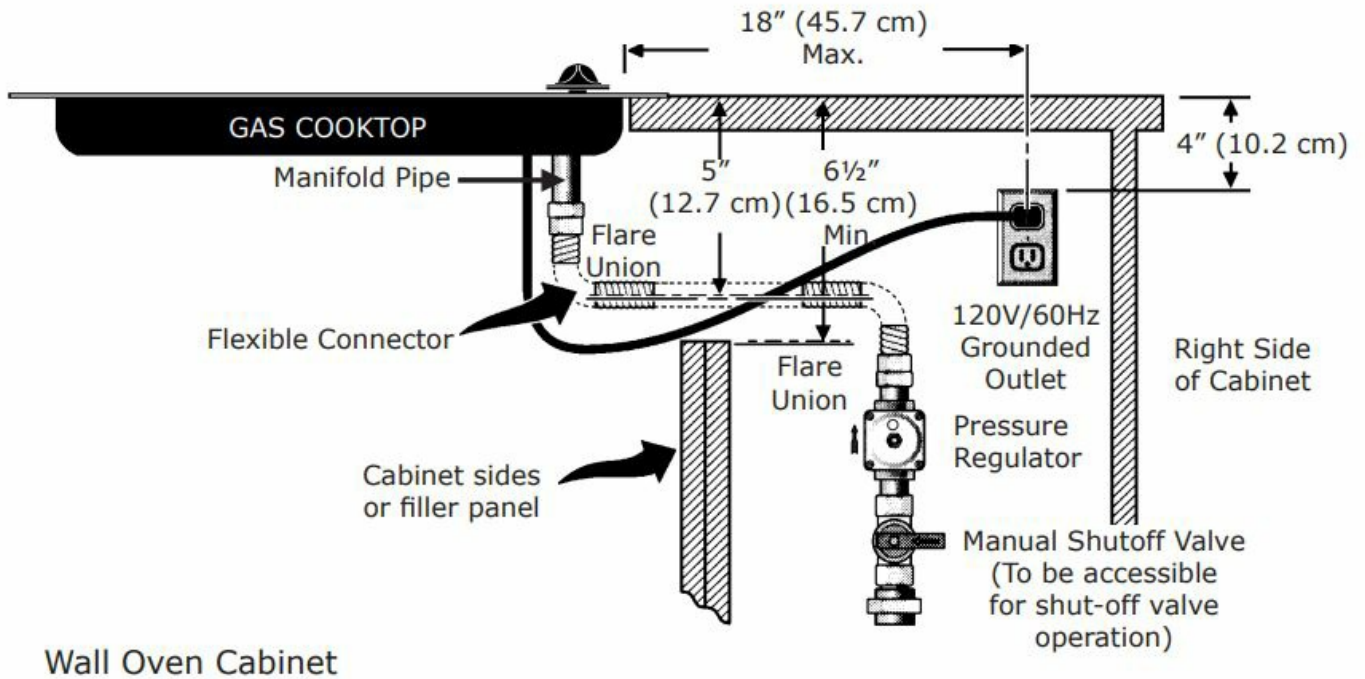


Figure 4

1. Wall Outlet Location

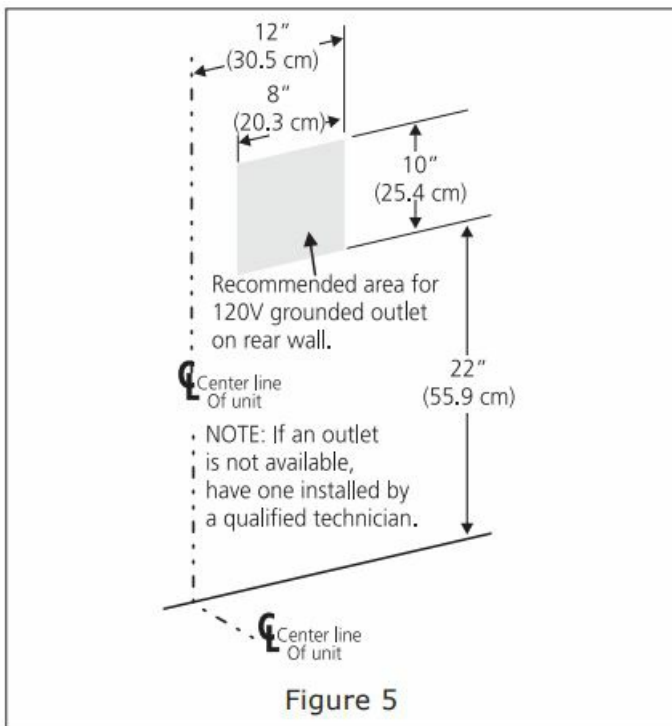


Figure 5

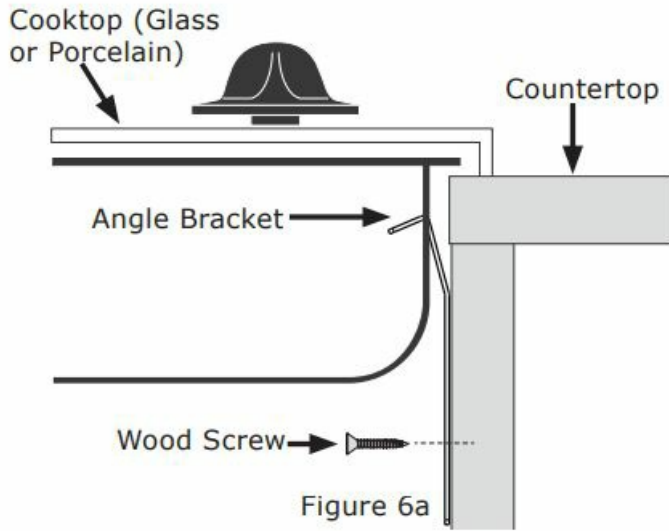
2. Cooktop Installation

NOTE: Your gas cooktop includes 2 different bracket and screw options. Select the bracket and screw that works best with your installation.

1. Visually inspect the cooktop for damage.
2. Set the cooktop into the countertop cutout.
After inserting the cooktop into the countertop opening, make sure the unit is sitting on the metal flange around the top of the burner box. Cooktop must not sit on the glass or the porcelain top. Avoid cutting an oversized

hole in the countertop.

3. If you are using Installation Bracket type 1, insert the Angle Bracket as shown below (Fig. 6a):



4. Once the cooktop is installed, insert the angle bracket into the slot on each side of the unit as shown (Fig. 6a) run wood screw to clamp the unit down.
5. If you are using Installation Bracket type 2, insert the thumb screw supplied (2) in the angle bracket as shown below (Fig. 6b):

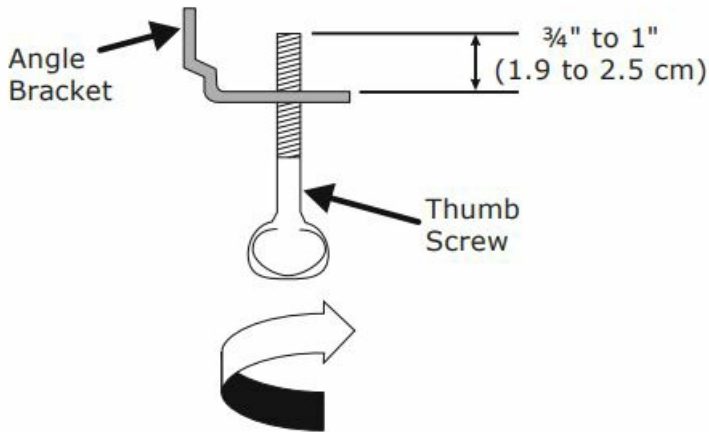


Figure 6b

6. Once the cooktop is installed, clamp the unit down, insert the angle bracket into the slot on each side of the unit as shown (Fig. 6c). Run the thumb screw up through the bracket, up against the bottom of the counter. Tighten until the unit draws down and is secure.

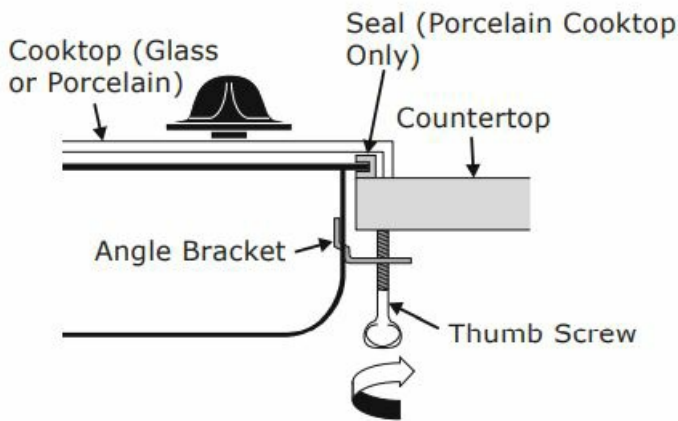


Figure 6c

3. Provide an Adequate Gas Supply

This cooktop is designed to operate on natural gas at 5" of manifold pressure only.

A pressure regulator is connected in series with the manifold on the cooktop and must remain in series with the supply line.

For proper operation, the maximum inlet pressure to the regulator must be no more than 14" of water column (W.C.) pressure.

For checking the regulator, the inlet pressure must be at least 1" (or 2.5 kPa) greater than the regulator manifold pressure setting. The regulator is set for 5" of manifold pressure, the inlet pressure must be at least 6".

The gas supply line to the range should be 1/2" or 3/4" pipe.

4. LP/Propane Gas Conversion

This appliance can be used with Natural gas or LP/ Propane gas. It is shipped from the factory for use with natural gas.

A kit for converting to LP gas is supplied with your cooktop. The kit is marked "FOR LP/PROPANE GAS CONVERSION".

The conversion must be performed by a qualified service technician in accordance with the kit instructions and all local codes and requirements. Failure to follow instructions could result in serious injury or property damage. The qualified agency performing this work assumes responsibility for the conversion.

WARNING

Failure to make the appropriate conversion can result in serious personal injury and property damage.

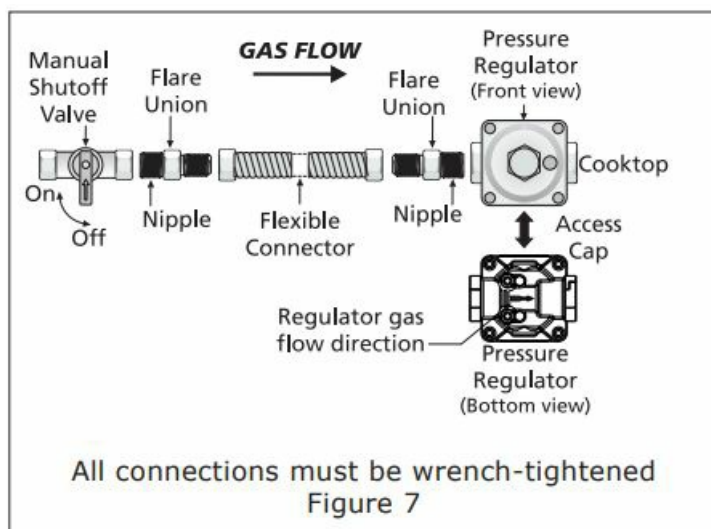
Important: Remove all packing material and literature from cooktop before connecting gas and electrical supply to cooktop

5. Install Pressure Regulator

Install the pressure regulator with the arrow on the regulator pointing up toward the unit in a position where you can reach the access cap.

WARNING

Do not make the connection too tight. The regulator is die cast. Overtightening may crack the regulator resulting in a gas leak and possible fire or explosion.



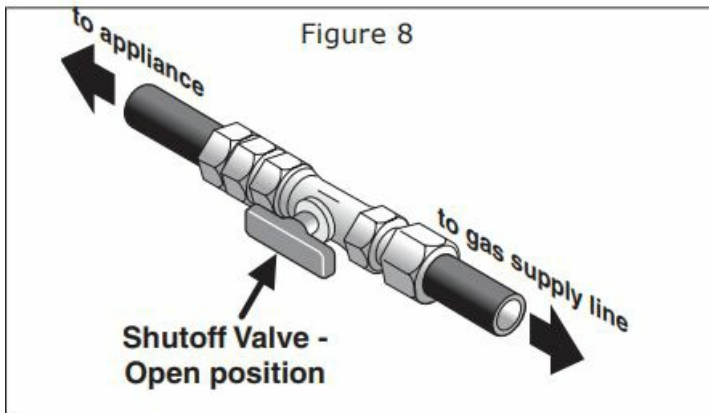
Assemble the flexible connector from the gas supply pipe to the pressure regulator in the following order:

1. manual shutoff valve
2. 1/2" (1.3 cm) nipple
3. 1/2" (1.3 cm) flare union adapter
4. flexible connector
5. 1/2" (1.3 cm) flare union adapter
6. 1/2" (1.3 cm) nipple

7. pressure regulator

Use pipe-joint compound made for use with Natural and LP/Propane gas to seal all gas connections. If flexible connectors are used, be certain connectors are not kinked.

The supply line must be equipped with an approved manual shutoff valve. This valve should be located in the same room as the cooktop and should be in a location that allows ease of opening and closing. Do not block access to the shutoff valve. The valve is for turning on or shutting off gas to the appliance.



Once regulator is in place, open the shutoff valve in the gas supply line. Wait a few minutes for gas to move through the gas line.

Check for leaks. After connecting the cooktop to the gas supply, check the system for leaks with a manometer. If a manometer is not available, turn on the gas supply and use a liquid leak detector (or soap and water) at all joints and connections to check for leaks.

WARNING

Do not use a flame to check for leaks from gas connections. Checking for leaks with a flame may result in a fire or explosion.

Tighten all connections if necessary to prevent gas leakage in the cooktop or supply line.

Check alignment of control knob valves after connecting the cooktop to the gas supply to be sure the cooktop manifold pipe has not moved. A misalignment could cause the valve stems to rub on the control panel, resulting in a gas leak at the valve.

Disconnect this cooktop and its individual manual shutoff valve from the gas supply piping system during any pressure testing of that system at test pressures greater than 1/2 sprig (3.5 kPa or 14" water column).

Isolate the cooktop from the gas supply piping system by closing its individual manual shutoff valve during any pressure testing of the gas supply piping system at test pressures equal to or less than 1/2 sprig (3.5 kPa or 14" water column).

6. Electrical Requirements

120 volt, 60 Hertz, properly grounded branch circuit protected by a 15 amp circuit breaker or time delay fuse. Do not use an extension cord with this cooktop.

Grounding Instructions

IMPORTANT: Please read carefully.

For personal safety, this appliance must be properly grounded.

The power cord of this appliance is equipped with a 3-prong (grounding) plug which mates with a standard 3-prong grounding wall receptacle (see Figure 9) to minimize the possibility of electric shock hazard from the appliance.

The wall receptacle and circuit should be checked by a qualified electrician to make sure the receptacle is properly grounded.

Preferred Method

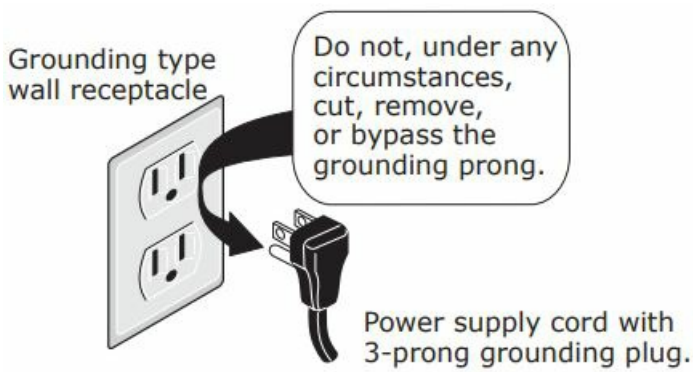


Figure 9

Where a standard 2-prong wall receptacle is installed, it is the personal responsibility and obligation of the consumer to have it replaced by a properly grounded 3-prong wall receptacle.

Do not, under any circumstances, cut or remove the third (ground) prong from the power cord.

⚠ WARNING

Disconnect electrical supply cord from wall receptacle before servicing cooktop.

7. Check Operation

Refer to the User manual packaged with the cooktop for operating instructions and for care and cleaning of your cooktop.

Do not touch the burners. They may be hot enough to cause burns.

1. 1. Remove foam caps.
2. 2. Turn on Electrical Power and Open Main Shutoff Gas Valve
3. 3. Check the Igniters

Operation of electric igniters should be checked after cooktop and supply line connectors have been carefully checked for leaks and the cooktop has been connected to electric power. To operate the surface burner:

A. Push in and turn a surface burner knob to the LITE position. You will hear a small ticking noise; this is the sound of the electric ignitor which lights the burner.

B. After the burner lights, turn to the desired flame size. The controls do not have to be set at a particular mark. Use the marks as a guide and adjust the flame as needed.

4. 4. Adjust the "LOW" Setting of Surface Burner Valves

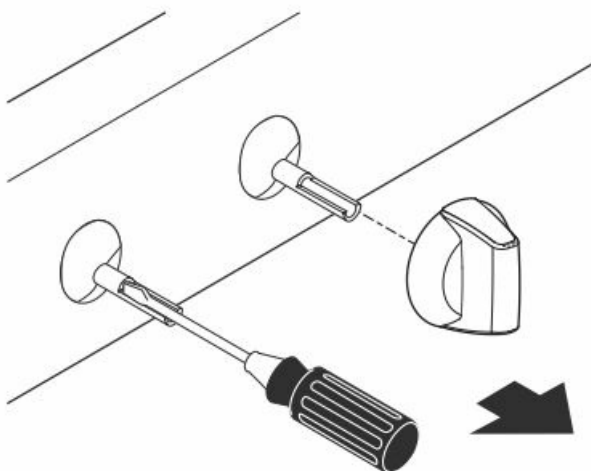


Figure 10

- A. Push in and turn each control to LITE until burner ignites.
- B. Push in and quickly turn knob to LOWEST POSITION.
- C. If burner goes out, Reset control to OFF.

- D. Remove the surface burner control knob.
- E. Insert a thin-bladed screwdriver into the hollow valve stem and engage the slotted screw inside. Flame size can be increased or decreased with the turn of the screw.

⚠ WARNING

Do not remove center screw.

NOTE: On models with twin burners (two rings of flame), only the outer burner is adjustable.

Burner Flame Size



Figure 11

Adjust flame until you can quickly turn knob from LITE to LOWEST POSITION without extinguishing the flame. Flame should be as small as possible without going out.

Note: Air mixture adjustment is not required on surface burners.

When All Hookups are Complete

Make sure all controls are left in the OFF position.

Make sure the flow of combustion and ventilation air to the cooktop is unobstructed.

Model and Serial Number Location

The rating plate is located on the underside of the cooktop.

When ordering parts for or making inquiries about your range, always be sure to include the model and serial numbers and a lot number or letter from the rating plate of your cooktop.

Your rating plate also tells you the rating of the burners, the type of fuel and the pressure the cooktop was adjusted for when it left the factory.

Before You Call for Service

Read the Before You Call for Service Checklist and operating instructions in your User manual. It may save you time and expense. The list includes common occurrences that are not the result of defective workmanship or materials in this appliance.

Refer to the warranty in your User manual for our service phone number and address. Please call or write if you have inquiries about your product and/ or need to order parts.