

CLICK ANYWHERE On THIS PAGE to RETURN to GAS COOKTOP INSTALLATION GUIDES at [InspectApedia.com](https://www.inspectapedia.com)



Installation Instructions

Heritage Dual Cooktop

HDCT304, HDCT365

Table of Contents

Important Safety Instructions	1	Verifying Package Contents	8
Important Information About Safety Instructions	1	Installing the Cooktop.....	8
General Safety Precautions	1	Connecting the Gas Line.....	8
Electrical Requirements	3	Assembling the Burners	9
Gas Supply Requirements	3	Verifying the Correct Setup	10
Installation Specifications	4	Installation Checklist.....	10
Product Dimensions	4	Replacement Parts List	11
Cabinet and Countertop Layout	6	Wiring Diagrams	13

Before You Begin...

Installer

- In the interest of safety and to minimize problems, read this **Installation Instruction** manual completely and carefully before you begin the installation process.
- Leave this **Installation Instructions** with the customer.
- Write the **Product Data Label** information in the **User Manual** for professional and user reference.

Consumer

- Keep these **Installation Instructions** for future reference and for the local electrical inspector's use.
- Dacor® is not responsible for service required to correct a faulty installation.

Customer Assurance Information

If You Need Help...

If you have questions or installation/operation/warranty issues, contact Dacor Customer Assurance. Have available the cooktop model and serial numbers, which are on the product data label (see right).

Dacor Customer Assurance

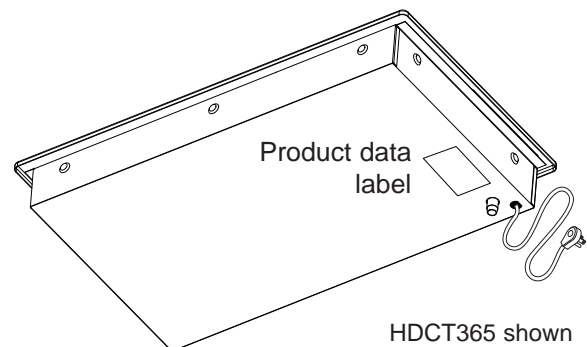
Phone: 833-35-ELITE (833-353-5483) USA, Canada

Mon – Fri 5:00 a.m. to 5:00 p.m. Pacific Time

Website: www.dacor.com/customer-care/contact-us

Product Data Label

This label, which contains the appliance's model/serial numbers and the electrical/gas-supply requirements is on the underside of the chassis.



All specifications are subject to change without notice. Dacor assumes no liability for changes to specifications.

© 2018 Dacor, all rights reserved.

READ AND SAVE THESE INSTRUCTIONS

Important Safety Instructions

- The Important Safety Instructions and warnings in this manual cannot address all possible issues and conditions. Use common sense and caution when installing the cooktop.
- Always contact Dacor Customer Assurance with questions and issues you cannot resolve. (See the contact info, facing page)

Safety Symbols, Labels, and Alerts

These labels alert the reader to the risk of injury or death:

DANGER

Immediate hazards that WILL cause severe personal injury or death.

WARNING

Hazards/unsafe practices that MAY cause severe personal injury or death.

WARNING

TO REDUCE THE RISK OF PERSONAL INJURY DUE TO A GREASE FIRE:

- Smother flames with a close-fitting lid, cookie sheet, or metal tray, then turn off the burner. BE CAREFUL TO PREVENT BURNS. If the flames do not go out immediately, evacuate and call the fire dept.
- NEVER PICK UP A FLAMING PAN.
- Do not douse flames with water (incl. wet dishcloths) a violent steam explosion may result.
- Use a fire extinguisher ONLY if:
 - you have a Class ABC extinguisher and know how to operate it.
 - the fire is small and contained in the area where it started.
 - the fire department is being called.
 - you can fight the fire with your back to an exit.

DANGER—IF YOU SMELL GAS:

- do not use or light any appliance.
- do not touch any electrical switch or use any electrical devices (incl. the telephone) in your building.
- from a neighbor's home, call the gas supplier, and follow their instructions. (If the gas supplier is unavailable, call the fire dept.)

DANGER

Do not store/use explosive and flammable items (ex: alcohol, gasoline, aerosol cans) on/near the unit (ex: countertops, cabinetry).

WARNING

NEVER use the cooktop as a space heater. Doing so may result in carbon monoxide poisoning and overheating the appliance.

WARNING

NEVER cover cooktop/chassis slots, holes, or passages. Doing so blocks needed air flow and may cause carbon monoxide poisoning. Aluminum foil linings may trap heat, causing a fire hazard. Keep all slots, holes, and passages clear of residue and debris.

CALIFORNIA PROP 65 WARNING

Gas combustion emits by-products known by the State of California to cause cancer and reproductive harm. To minimize exposure to these substances, operate the cooktop as instructed in the User Manual.

POWER OUTAGES

Do not try to light the burners manually during a power outage.

General Safety Precautions

To reduce risk of fire, electric shock, serious injury, or death when using the cooktop, follow basic safety precautions, including:

WARNING

- Read the User Manual completely before operating the cooktop.
- Keep packaging material away from children. Plastic sheets and bags can cause suffocation.
- If you receive a damaged appliance, immediately contact your dealer or builder. Do not install/use a damaged appliance.
- This cooktop must be properly installed and grounded by a qualified installer as given in this manual. The installer should show the owner how to open/close the gas valve and unplug the cooktop.
- Install/repair/replace cooktop parts only as instructed in this manual. A qualified service technician should perform all other service.
- Do not operate this appliance if the power cord is damaged.
- Turn the knobs to the OFF position prior to removing them from the valve stems.
- To avoid a fire hazard, do not hang flammable or heat-sensitive objects over the cooktop.
- Do not stand on the cooktop.
- Do not leave children unattended or let them play in/on/around the cooktop.
- Do not store items of interest to children on/above the cooktop.
- Keep flammable items (ex: paper, plastic cloth) away from the burners and other hot surfaces. Do not place such items on the cooktop.
- If the cooktop is near a window, do not use long curtains as window treatment.

IMPORTANT: The cooktop has a 3-prong grounding plug to prevent possible electric shock hazards. Plug it in to a dedicated, grounded 3-prong outlet. The owner shall ensure the proper type of outlet is installed. Do not:

- remove the third (ground) prong from the power cord.
- use an adapter plug or extension cord.
- use a power cord that is frayed or damaged.
- connect to an electrical outlet with a ground fault interrupter (GFI).

Important Safety Instructions

General Safety Precautions

To reduce the risk of fire, electric shock, or serious injury or death when using your appliance, follow basic safety precautions, including the following:

WARNING

- Read the accompanying use and care manual completely before operating this appliance.
- Keep packaging materials away from children. Plastic sheets and bags can cause suffocation.
- If you receive a damaged product, immediately contact your dealer or builder. Do not install or use a damaged appliance.
- This cooktop must be properly installed and grounded by a qualified installer according to these installation instructions prior to use. The installer should show the customer the location of the gas shut off valve and the power cord so that they know where and how to turn off the gas supply and disconnect power to the cooktop.
- Do not install, repair or replace any part of the cooktop unless specifically recommended in the literature accompanying it. A qualified service technician should perform all other service.
- Before servicing or installing this cooktop, make sure that the gas supply is turned OFF at the gas supply valve and that the power plug is disconnected from the electrical outlet.
- Disconnect the power plug from the electrical outlet before cleaning. Clean this appliance only in the manner specified in the Use and Care Manual.
- Only use the cooktop for cooking tasks expected of a home appliance as outlined in the literature accompanying it. This cooktop is not intended for commercial or laboratory use.
- DO NOT TOUCH THE SURFACES OF THE COOKTOP DURING OR IMMEDIATELY AFTER USE.
- Do not operate this appliance if the power cord is damaged.
- Turn the knobs to the OFF position prior to removing them from the valve stems.
- Clean the cooktop thoroughly before operating it for the first time. Make sure that all the cooktop parts are dry before lighting a burner.
- To avoid a fire hazard, do not hang flammable or heat sensitive objects over the cooktop.
- Do not climb on any part of the appliance.

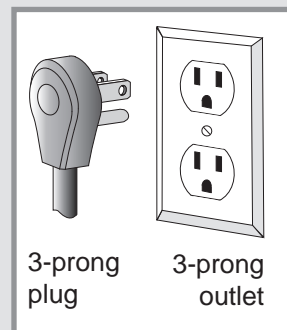
WARNING

- Do not leave the cooktop unattended while in use to avoid the possibility of a fire.
- Do not leave children alone or unattended in the area around the cooktop. Do not allow children to play with the controls or touch other parts of the cooktop. Do not store items of interest to children on top of or above the cooktop. Children could be burned or injured while climbing on the appliance.
- Keep flammable items, such as paper, cardboard, plastic, and cloth away from the burners and other hot surfaces. Do not place such items on the cooktop. Do not allow pot holders to touch hot surfaces or gas burners.
- Do not wear loose or hanging apparel while using the cooktop. Do not allow clothing to come into contact with the cooktop and surrounding areas during and immediately after use.
- If the cooktop is near a window, do not use long curtains as window treatment. The curtains could blow over the cooktop and create a fire hazard.
- Do not use towels or bulky cloth as pot holders.
- Do not use the cooktop to heat sealed containers. The container and contents may explode, causing personal injury.
- Non-stick coatings, when heated, can be harmful to pet birds. Relocate pet birds to a separate, well-ventilated room when using the cooktop.

IMPORTANT - This appliance is equipped with a three-prong grounding plug for your protection against possible electric shock hazards. Plug it only into a dedicated, grounded three-prong electrical outlet. It is the responsibility of the customer to make sure the proper type of outlet is installed.

Under any circumstances:

- DO NOT cut or remove the third (ground) prong from the power cord.
- DO NOT use an adapter plug.
- DO NOT use an extension cord.
- DO NOT use a power cord that is frayed or damaged.
- DO NOT connect to an electrical outlet with a ground fault interrupter (GFI).



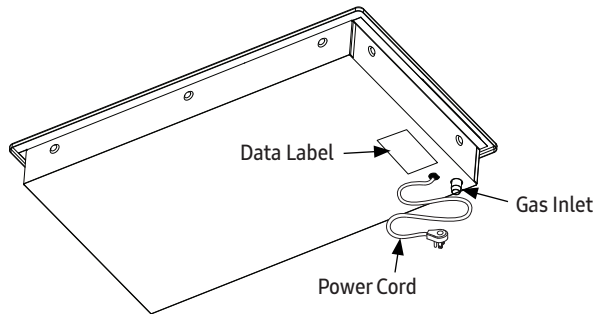
Important Safety Instructions

Electrical Requirements

WARNING

To prevent an electric shock hazard, the power supply must meet the specifications stated below. The owner shall ensure that the electrical service meets requirements and that the electrical outlet is properly installed by a licensed electrician.

- A 40", 3-prong, grounding power cord is connected to the the bottom-right rear corner of the chassis (see below). The plug must be inserted in a dedicated, grounded 3-prong outlet installed by a licensed electrician.
- Electrical installation (incl. min. supply wire size and grounding) must follow local codes/ordinances and National Electric Code ANSI/NFPA 70*, a copy of which may be obtained from:
National Fire Protection Association
1 Batterymarch Park
Quincy, MA 02269-9101
- Correct voltage, frequency, and amperage must be supplied to the power outlet per the data label (see below for location). See the **Gas and Electrical Requirements** table on this page.
- Locate the outlet so the power cord may be easily disconnected for cooktop maintenance/service.



Gas Supply Requirements

- Ensure the cooktop is set up for the supplied gas type (Natural or LP). If using the cooktop above 4000 ft. (1219 m) elevation, ensure it is equipped for high-altitude use. (Such units have an "H" at the end of the model number on the data label.)
- Units set up for LP operation have "LP" at the end of the model number. See the Product Data Label section for label location.
- Install the unit per local building codes and ordinances, in the absence of which you should follow the National Fuel Gas Code ANSI Z223.1/NFPA 54.
- An external, manual shut-off valve must be installed between the gas-supply line and cooktop for turning on/shutting off gas to the unit.
- Use only the provided regulator; install it between the cooktop gas inlet and the shut-off valve.
- The regulator inlet accommodates a 3/4" gas line. The cooktop inlet itself has a 3/4" male NPT fitting.

Gas and Electrical Requirements*

Data Type*	HDCT304/NG, HDCT365/NG	HDCT304/LP, HDCT365/LP
Gas Type	Natural Gas	LP Gas
Manifold Pressure	5" Water Column	10" Water Column
Min. Gas-Supply Pressure**	6" Water Column	11" Water Column
Max. Gas-Supply Pressure	1/2 psi	
Total Connected Load	0.25 Amp. (0.03 kW)	
Circuit Requirement	120 Vac, 60 Hz, 15 Amp.	

*This data is for reference only. If it does not agree with the product data label, use the data on the product data label; **the gas-supply pressure for testing the regulator setting shall be at least 1" water column (249 Pa) above the specified manifold pressure.

Installation Specifications

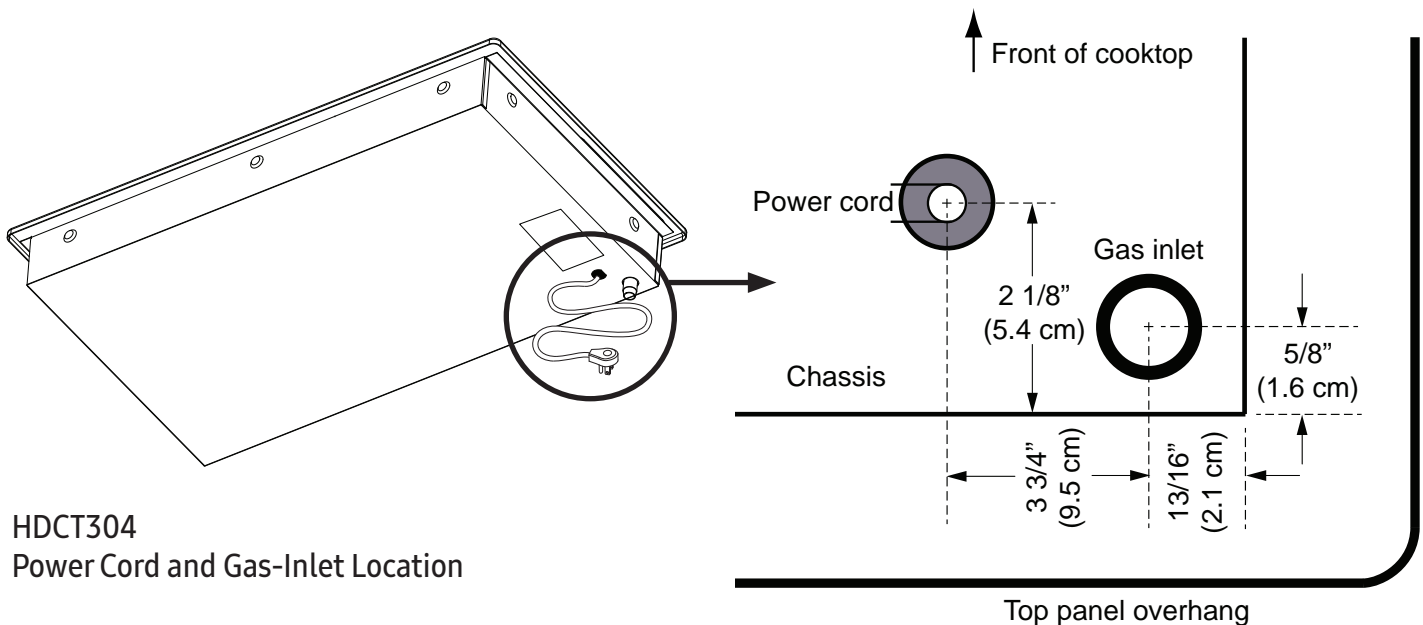
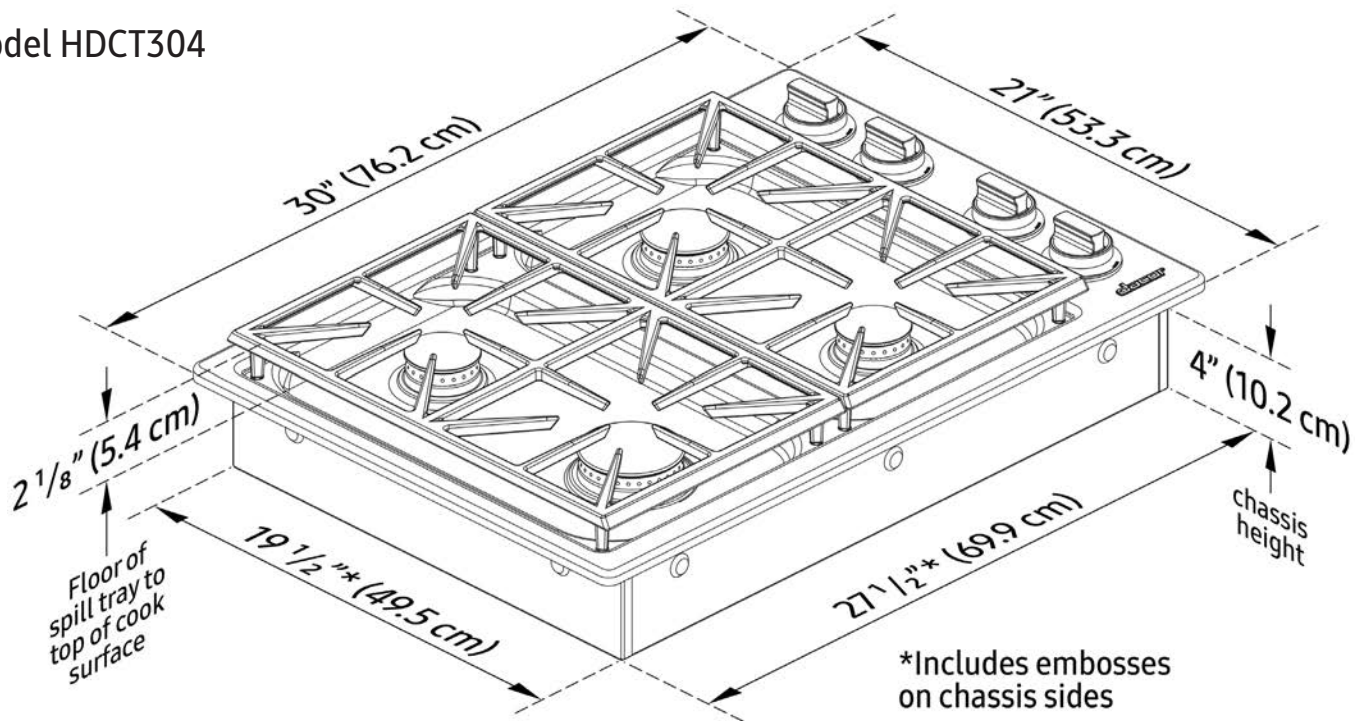
WARNING

Observe all governing codes and ordinances during planning and installation. Contact your local building department for further information.

Product Dimensions

All tolerances: $\pm 1/16$ " (± 1.6 mm) unless otherwise noted.

Model HDCT304



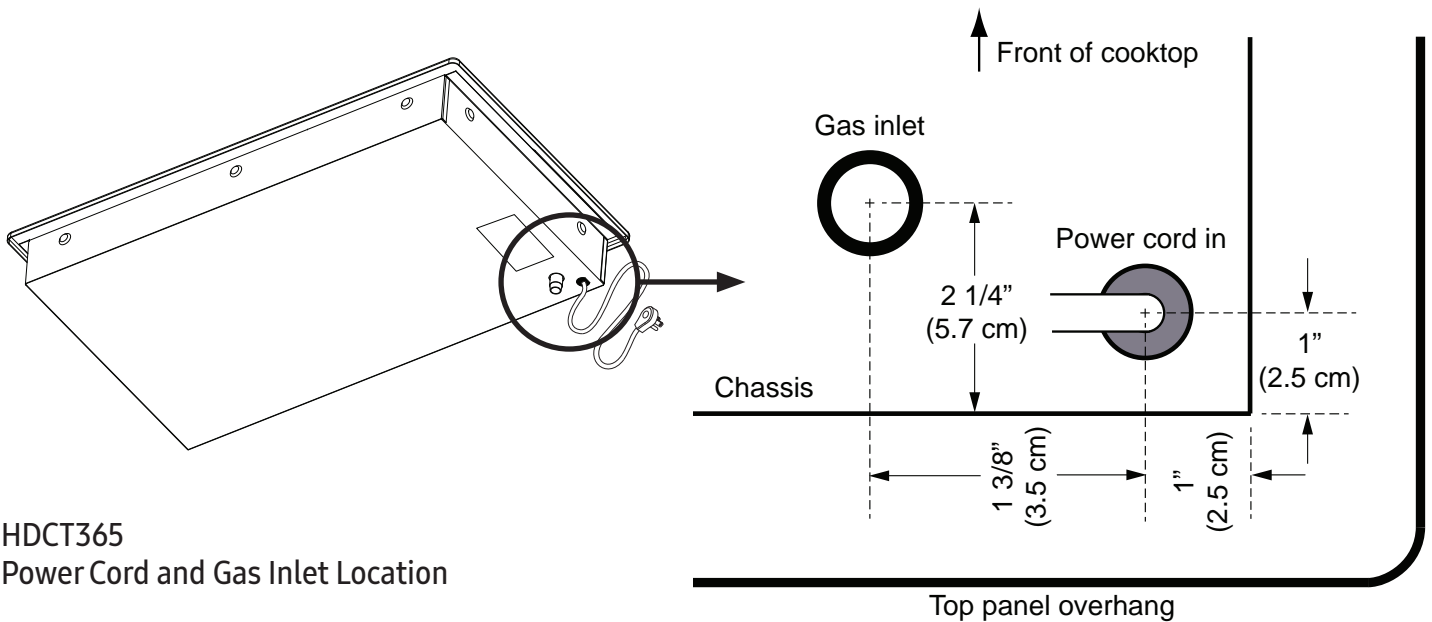
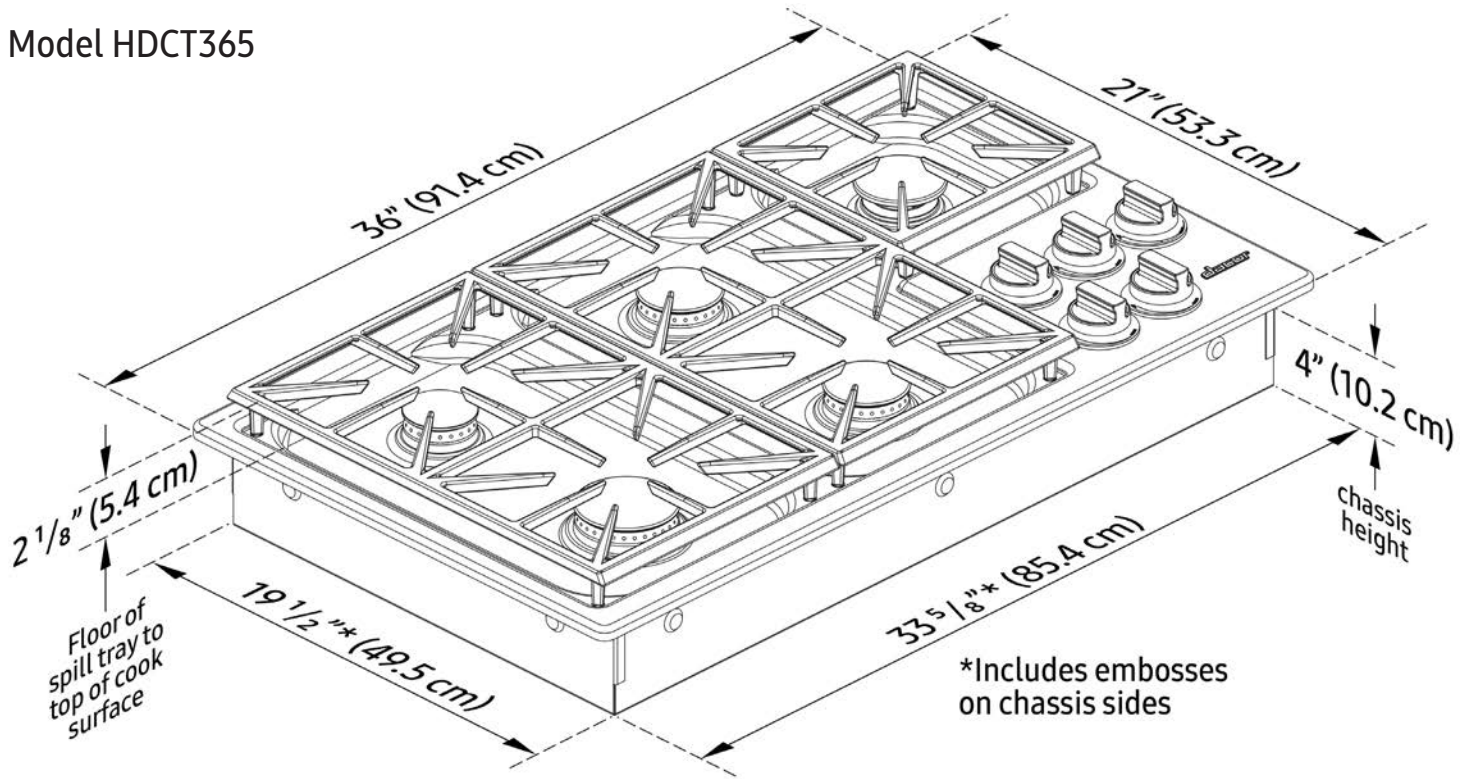
HDCT304
Power Cord and Gas-Inlet Location

Installation Specifications

Product Dimensions (Con't)

All tolerances: $\pm 1/16"$ (± 1.6 mm) unless otherwise noted.

Model HDCT365



HDCT365
Power Cord and Gas Inlet Location

Installation Specifications

Cabinet and Countertop Layout

WARNING

- To reduce risk of injury from reaching over a hot cooktop, avoid installing cabinets directly above the cooktop.
- Failure to meet or exceed the given maximum and minimum dimensions/clearances may cause a fire hazard.
- Follow the countertop manufacturer's instructions regarding the minimum corner radius, use of heat reflective tape, reinforcement of corners, etc.

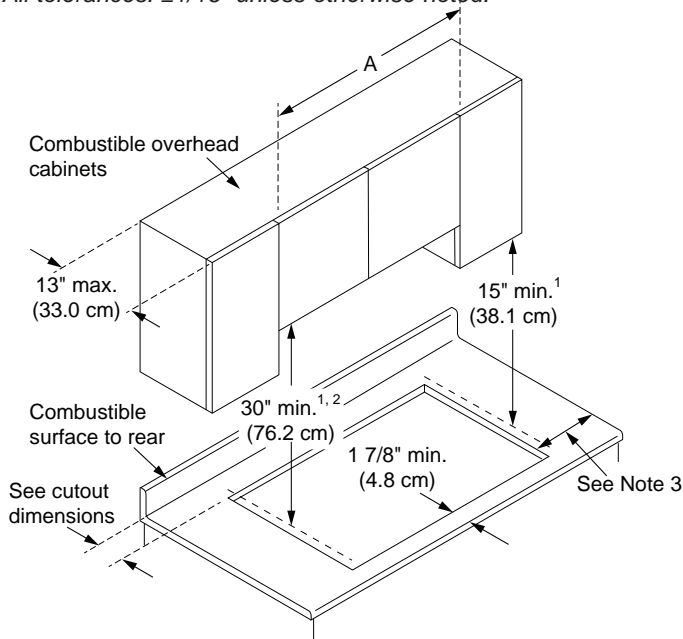
- Carefully check the location where the cooktop will be installed. For best performance, the cooktop should be placed away from drafts that may be caused by doors, windows, and heating and air conditioning vents.
- This appliance is to be used in conjunction with a suitable vent hood or an approved Dacor downdraft vent.

Required Min. Clearances Around the Cooktop

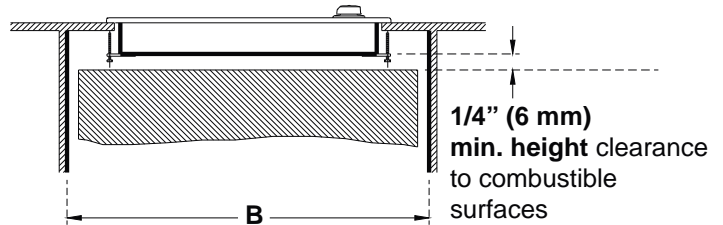
See the following illustrations/notes for clearance allowances.

Model	(A) Minimum	(A) Recommended
HDCT304	30" (76.2 cm)	36" (91.4 cm)
HDCT365	36" (91.4 cm)	42" (106.7 cm)

All tolerances: $\pm 1/16"$ unless otherwise noted.



- ¹ Measured from the cooking surface (top of cooking grate).
- ² If installing an overhead vent hood, check the hood installation instructions for the minimum required clearance specifications and requirements.
- ³ Not required if the side cabinets are at least 6 inches or more from both sides of the cooktop.



Underneath Cabinet Dimensions

All tolerances: $\pm 1/16"$ unless otherwise noted.

Model	(B) Minimum for clearance of hold-down brackets
HDCT304	29 in (73.7 cm)
HDCT365	35 1/4 in (89.5 cm)

- Allow at least 1/4" (6 mm) clearance between the bottom of the chassis and all combustible surfaces, including the upper edge of a drawer inside the countertop cabinet below the cooktop.
- The gas-supply piping, shut-off valve, and power outlet must be located so they do not interfere with the cooktop after it is installed. If installing another appliance in the cabinet below, allow for the routing of gas and electrical service behind it.

The installation must allow:

- access to the gas shut-off valve and regulator when the unit is installed.
- the 40-inch (101.6 cm) power cord to reach a power outlet, and that outlet must be easily accessible after installation.
- access to the bottom of the cooktop for service and inspection.
- clearance inside the counter for proper installation of the hold-down brackets.

To allow underneath access to the utilities and cooktop bottom, a fixed shelf should not be installed below the cooktop. See the following pages for countertop cutout dimensions.

Downdraft Compatibility

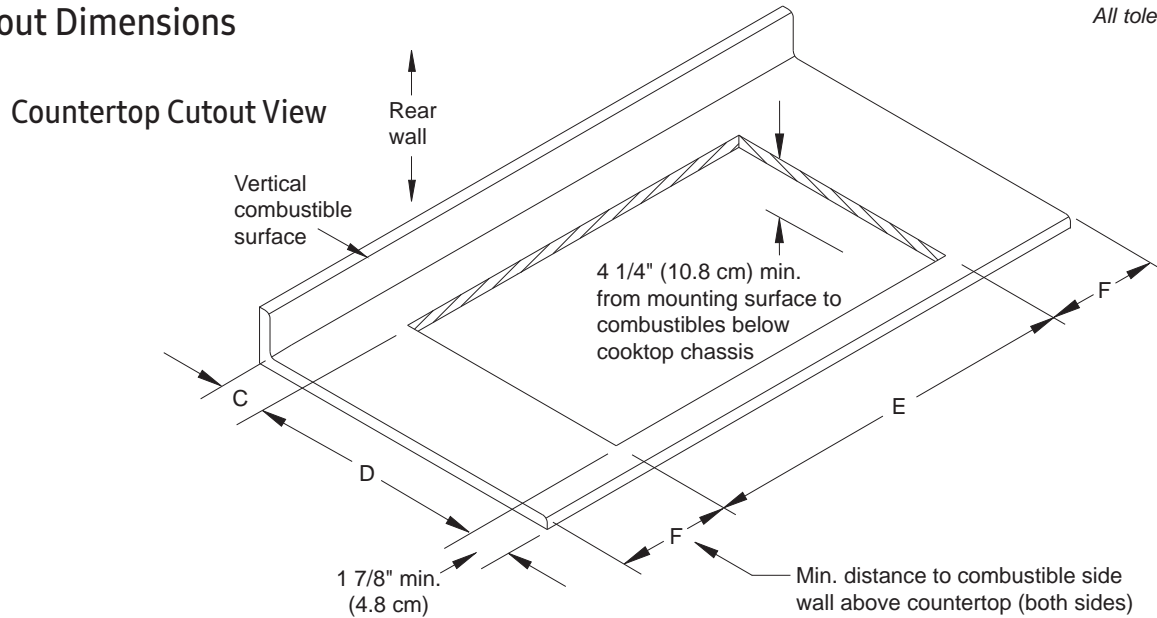
If installing the cooktop with a downdraft, use only the approved Dacor downdraft model numbers below:

Model	Approved Downdraft Models
HDCT304	MRV3015S
HDCT365	MRV3615S

Installation Specifications

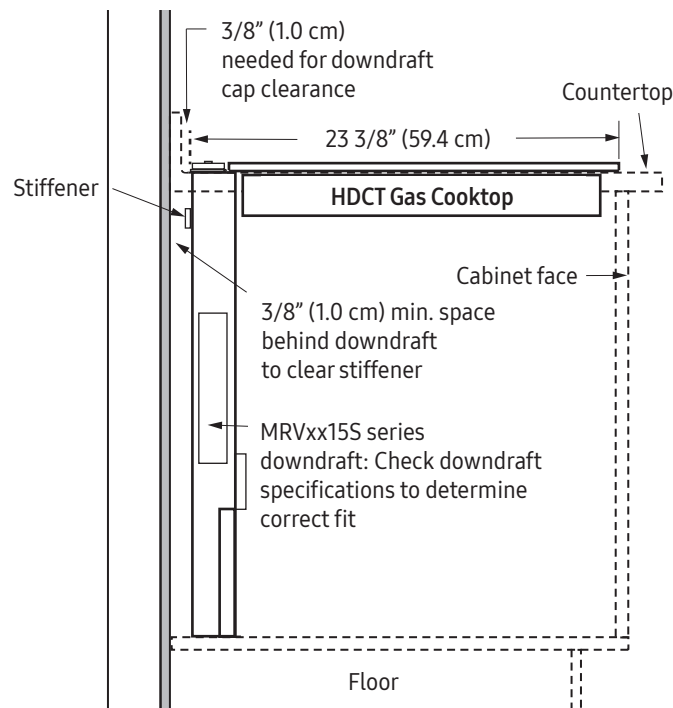
Cutout Dimensions

All tolerances $\pm 1/16"$ (± 1.6 mm) unless otherwise noted.



Countertop Cutout Dimensions

Installation Type	(C) Minimum	(D)	(E)	(F)
HDCT304 (no downdraft)	2 7/8" (7.3 cm)	19 3/4" (50.2 cm)	27 5/8" (70.1 cm)	7 1/2" (19.1 cm)
HDCT304 (with MRV3015S)	3/8" (1.0 cm)	22 1/2" (57.2 cm)		
HDCT365 (no downdraft)	2 7/8" (7.3 cm)	19 3/4" (50.2 cm)	33 3/4" (85.7 cm)	7" (17.8 cm)
HDCT365 (with MRV3615S)	3/8" (1.0 cm)	22 1/2" (57.2 cm)		



Cooktop with Downdraft: MRV Series

Installation Instructions

Verifying the Package Contents

- Hold-down brackets (2)
- Grates: HDCT304 (2), HDCT365 (3)
- Burner sets: HDCT304 (4), HDCT365 (5)
- Gas pressure regulator (1)
- Stainless steel cleaner (1)
(stainless steel models only)

If any parts are missing, see **Replacement Parts List** on Pg. 12 for Dacor Customer Assurance and ordering information.

Installing the Cooktop

WARNING

- Verify that the power supply meets the specifications on page 3 before proceeding.
- To prevent damage to the gas pressure regulator, install it only after the cooktop is mounted in its permanent position.

IMPORTANT

- Do not over-tighten the hold-down bolts. Doing so may cause the dual gas burners to malfunction.
- Do not use hardening compound or caulk to permanently fix the cooktop in place. The cooktop must be removable for service. Removal of sealant to service the unit will be charged to the owner.

1. If the cooktop will be used with a downdraft, first install the downdraft per the downdraft installation instructions.
2. Lower the cooktop into the cutout and center it.
3. Secure the cooktop to the countertop using the two (2) hold-down brackets as shown (included).

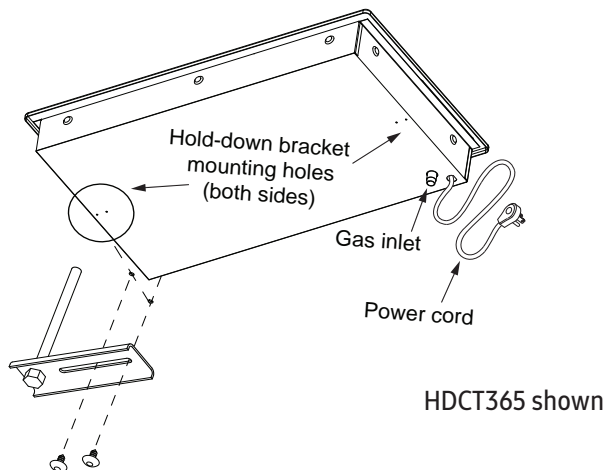


Figure 1

Connecting the Gas Line

WARNING

- Verify that the gas supply meets specifications before connection. (See Pg. 3.)
- Do not install/use the cooktop without installing the provided gas regulator.
- Ensure that the arrow on the regulator points toward the cooktop.
- Do not overtighten the gas connections and fittings.
- Do not use Teflon tape or plumber's putty on flexible gas line connections.
- Before use, test the gas lines for leaks as instructed. Do not use a flame to check for leaks.
- The maximum gas supply pressure to the regulator must never exceed ½ psi or 3.5 kPa.
- The cooktop and shut-off valve must be disconnected from the gas supply during pressure tests exceeding ½ psi (3.5 kPa).
- For LP gas installations, the LP gas tank must have its own high-pressure regulator in addition to the cooktop's provided regulator.

Refer to Figure 1 while following these gas hookup instructions:

1. Attach the gas pressure regulator (included) to the gas inlet on the cooktop.
 - When working in tight space constraints, the regulator can be installed anywhere between the cooktop and gas supply/shut-off valve.
 - For best performance, attach the regulator as close as possible to the cooktop to minimize pressure loss.
2. Connect regulator to the gas supply/shut-off valve with a minimum ½" flexible gas line (not included).
3. Check for gas leaks:
 - a. Turn all cooktop control valves to OFF.
 - b. Make a soap-and-water solution, or use a gas-leak detector, and check all lines and connections for gas leaks. (Open the gas supply/shut-off valve.)
 - c. Close the gas supply/shut-off valve.

Installation Instructions

Assembling the Burners

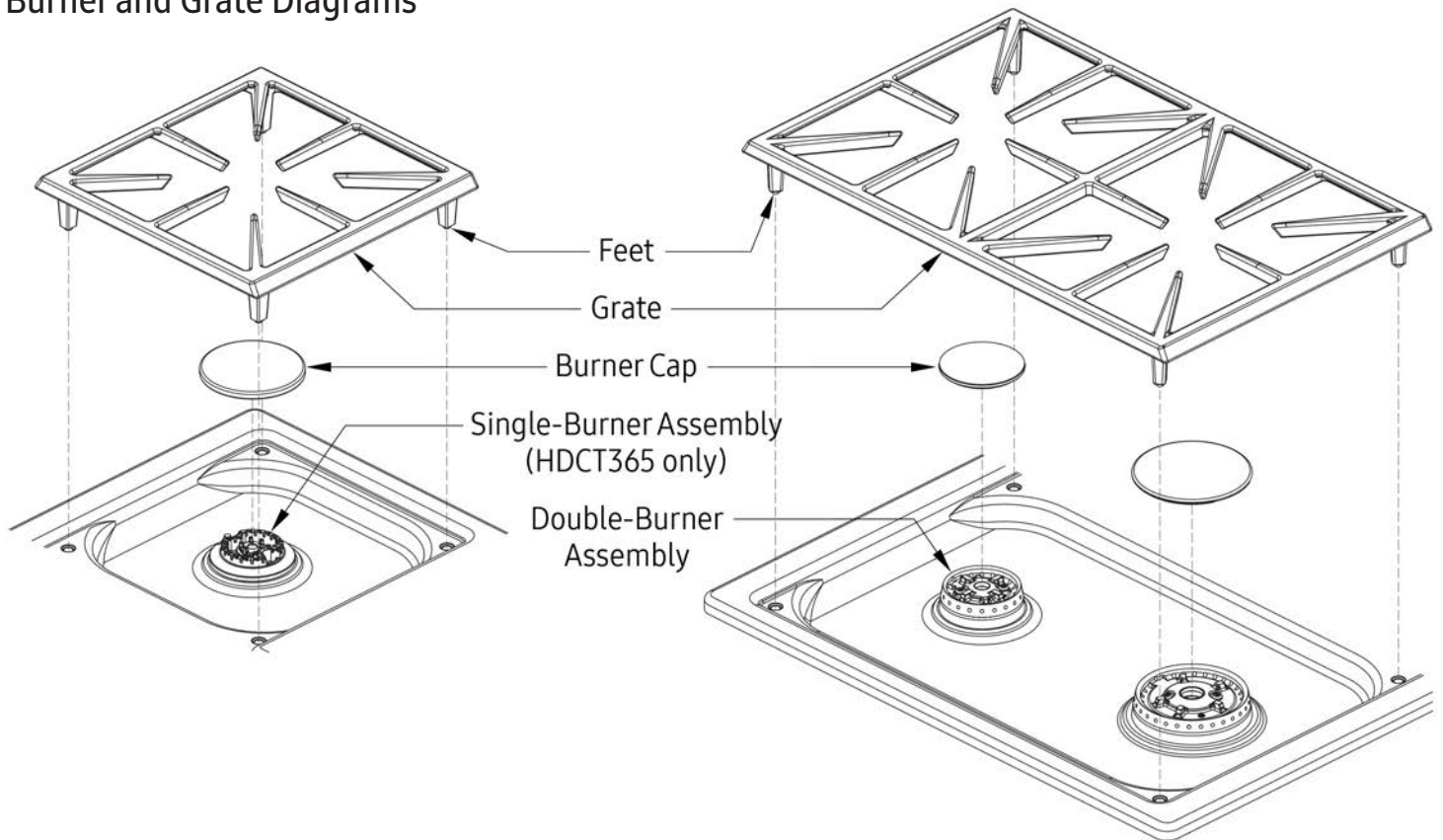
WARNING

- Never attempt to operate the cooktop with any of the burner parts removed.
- Do not attempt to adjust the burner air mixture settings. All adjustments are preset at the factory.

Remove the burner heads, burner rings, burner caps, and grates from their shipping packages.

1. Place the caps on the burner assemblies as shown below to ensure proper function.
2. Gently situate the grates so their rubber feet fit in the dimples formed into the spill tray.

Burner and Grate Diagrams



Installation Instructions

Verifying Correct Setup

WARNING

- Make sure that power to the electrical outlet is turned off at the circuit breaker panel or fuse box and that the gas is turned off at the gas supply valve before proceeding.
- The cooktop must be properly grounded at all times when electrical power is applied.

Before using the cooktop, read the User Manual carefully.

1. Turn off all the burner-control knobs.
2. Plug in the cooktop.
3. Turn on power to the outlet at the circuit breaker or fuse box.
4. Press-turn one burner-control knob slowly left to HIGH FLAME. Verify that the burner igniter sparks, then turn the knob OFF. Repeat for the other knobs.
5. Open gas valve.
6. Perform this IGNITION TEST on all burners:
 - a. Press-turn the control knob slowly left to HIGH FLAME. It may take up to 4 seconds for the burner to ignite, at which time the igniter stops. If ignition does not occur within 4 seconds, turn the knob OFF, wait for at least 5 minutes to allow any gas to dissipate, and repeat Step 6a.
 - b. After ignition, continue turning the knob to reduce flame height. Turn the knob to the simmer setting, and ensure the low-level flame can be adjusted.

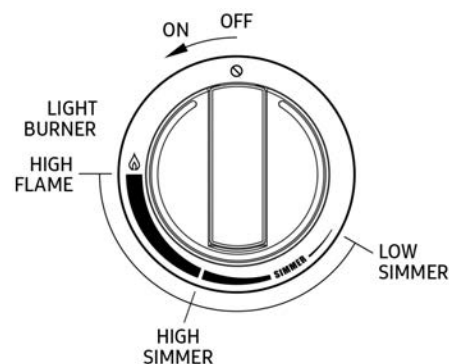
The flame should burn steadily with a sharp, blue inner cone that varies in length with the burner size.

NOTE: If the cooktop does not function properly, follow these troubleshooting steps:

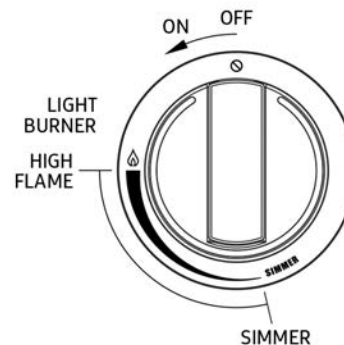
- Verify that power and gas are supplied to the cooktop.
- Verify that the cooktop is plugged in and power is turned on at the circuit breaker or fuse box.
- Verify that all burners are properly assembled.
- If a burner sparks after ignition, have a licensed electrician check the outlet for correct grounding or reversed polarity.
- Repeat the IGNITION TEST (Step 6).
- If the unit still does not work, contact Dacor Customer Assurance: 833-35-ELITE (833-353-5483). Do not try to repair the appliance yourself. Have available the model/serial numbers when you call. (See the inside cover for location.)

Dacor is not financially responsible for correcting problems caused by a faulty installation.

Single-Burner Control Knob



Dual-Burner Control Knob



Installation Checklist

WARNING

- To ensure thorough installation, the installer should complete this checklist.
- Proper installation is the owner's responsibility.

- Was the power outlet grounded and located as instructed and per applicable electrical codes? (See Pg. 3.)
- Was the gas service for the cooktop located and installed as instructed and per applicable codes? (See Pg. 3.)
- Was the gas-supply inlet pressure measured to ensure it is within the maximums in these instructions? (See Pg. 3.)
- Was the cooktop secured with the provided hold-down brackets? (See Pg. 8.)
- Was the cooktop connected to the gas supply as instructed and per applicable codes?
- Were gas-leak tests done on all burners? (See Pg. 8.)
- Were the burners and grates assembled as instructed? (See Pg. 9.)
- Was proper setup verified? (See Pg. 10.)
- Has the warranty been activated online or mailed?

Replacement Parts List

Replacement Parts List

Replacement parts can be obtained by contacting Dacor Customer Service.

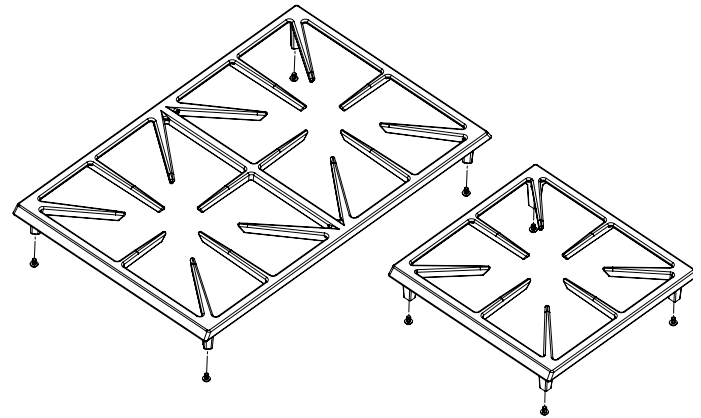
Dacor Customer Assurance

Phone: 833-35-ELITE (833-353-5483) USA, Canada)

Mon – Fri 5:00 A.M. to 5:00 P.M. Pacific Time

Cooktop Part	HDCT304	HDCT365
Hold-Down Bracket w/Screws (Set of 2)	PN 12269	PN 12269
Regulator (Natural Gas Models)	PN 62834	PN 62834
Regulator (LP Gas Models)	PN 72980	PN 72980
Knobs	PN 109321	PN 109321
Double Burner Trim Rings	PN 108924-05	PN 108924-05
Singler Burner Trim Rings	--	PN 108924-04
Grate: Large	PN 108900	PN 108900
Grate: Small	--	PN 108901
Grate Support Feet (4)	PN 103712	PN 103712
Stainless Steel Cleaner	PN A302	PN A302

Grate Sizes

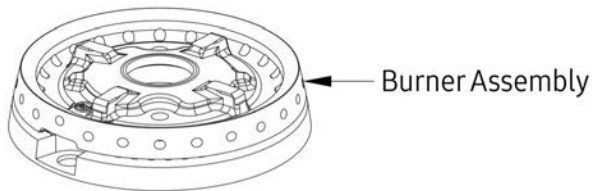


Large:
Models
HDCT304 (2 pcs)
HDCT365 (2 pcs)

Small:
Model
HDCT365 (1 pc)

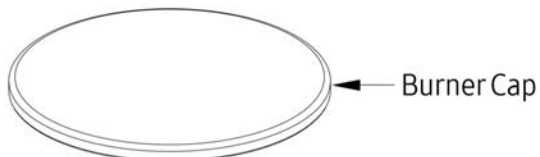


← Burner Cap

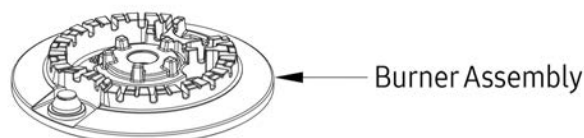


← Burner Assembly

Dual-Burner Assembly



← Burner Cap

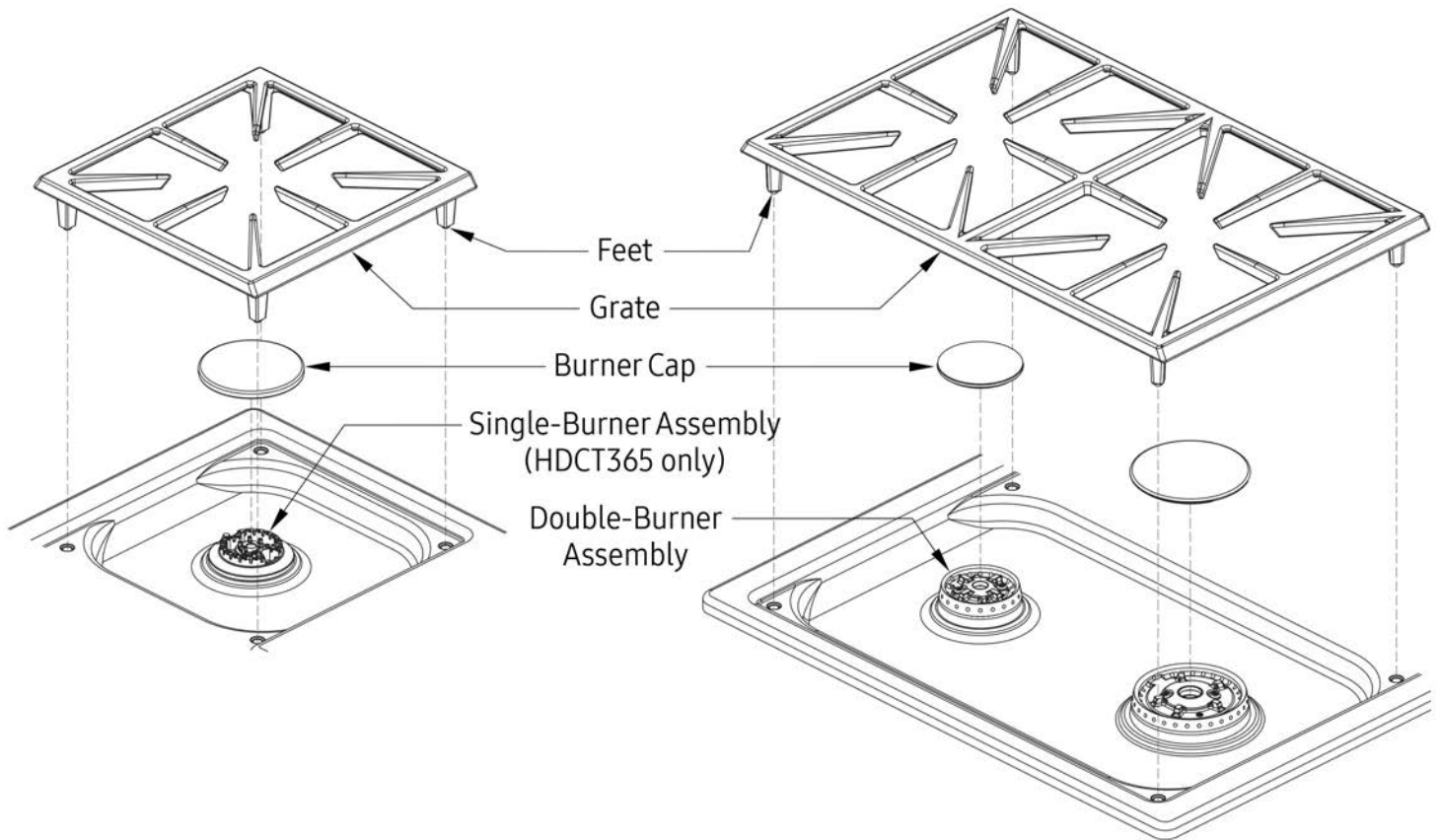


← Burner Assembly

Single-Burner Assembly

Replacement Parts List

Cooktop Parts

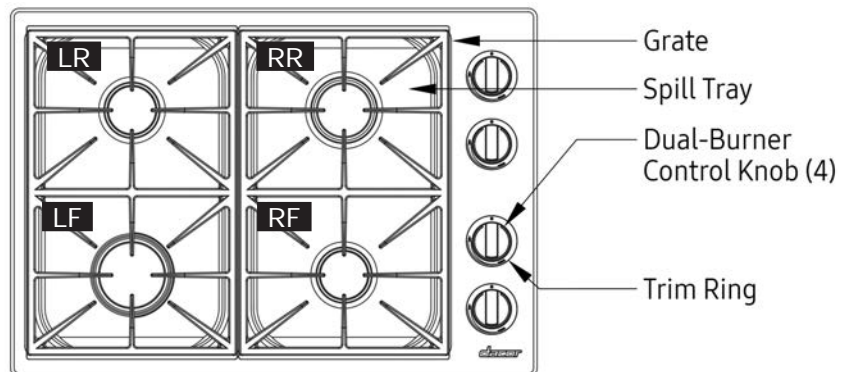


Cooktop Layout

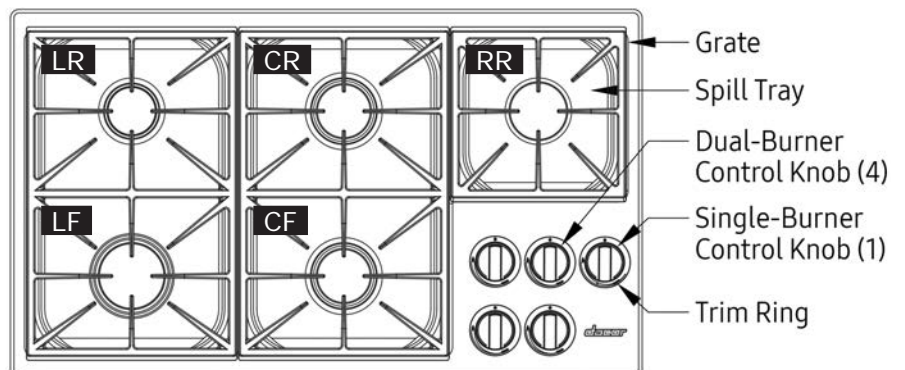
Burner Location

- LR** Left Rear
- RR** Right Rear
- CR** Center Rear
- LF** Left Front
- RF** Right Front
- CF** Center Front

HDCT 304



HDCT 365



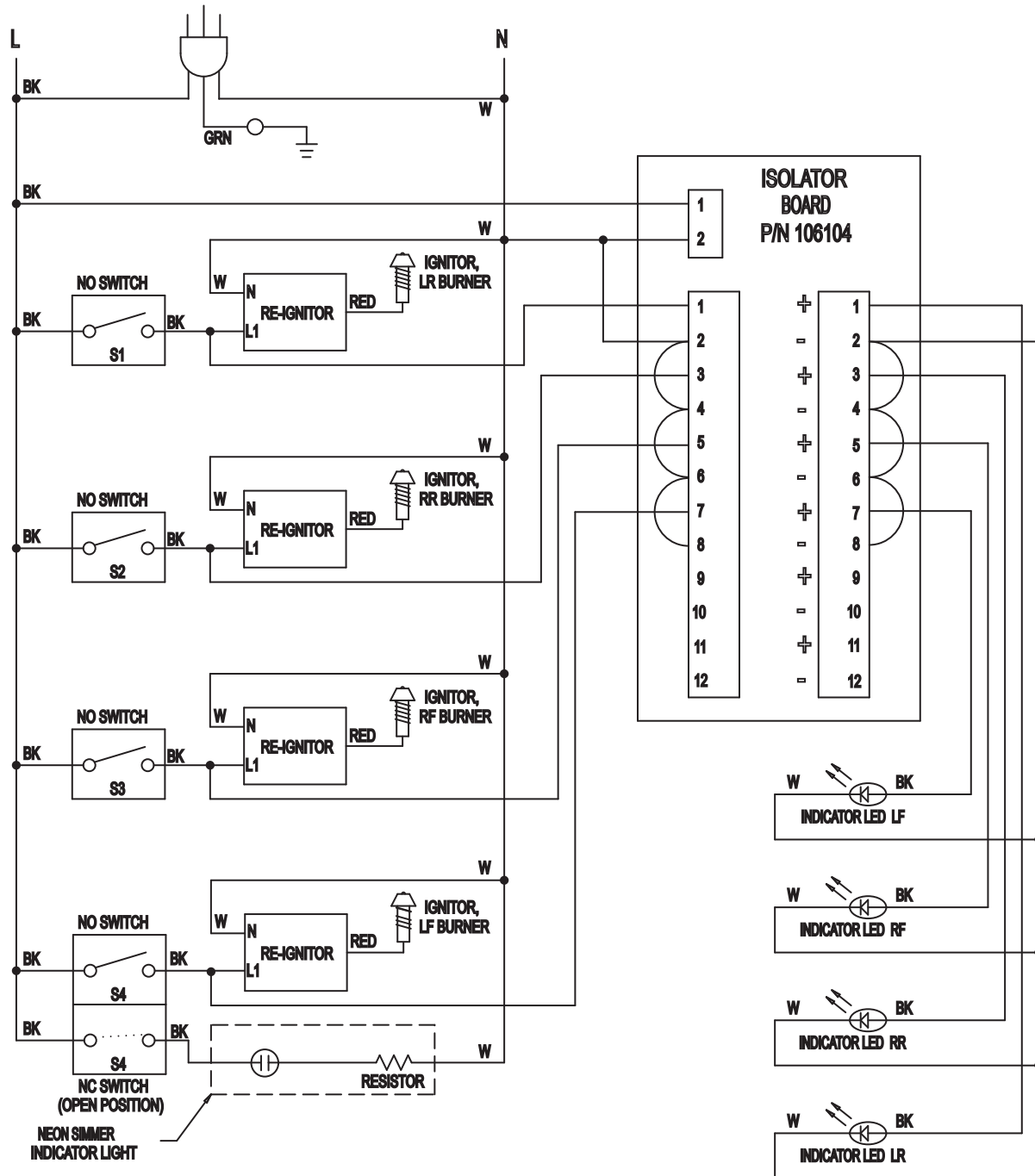
Wiring Diagrams

120V, 60Hz.
POWER SUPPLY

VERIFY PROPER OPERATION
AFTER SERVICING

WIRING DIAGRAM HDCT304

CAUTION: LABEL ALL WIRES PRIOR TO DISCONNECTION
WHEN SERVICING CONTROLS. WIRING ERRORS CAN
CAUSE IMPROPER AND DANGEROUS OPERATION.

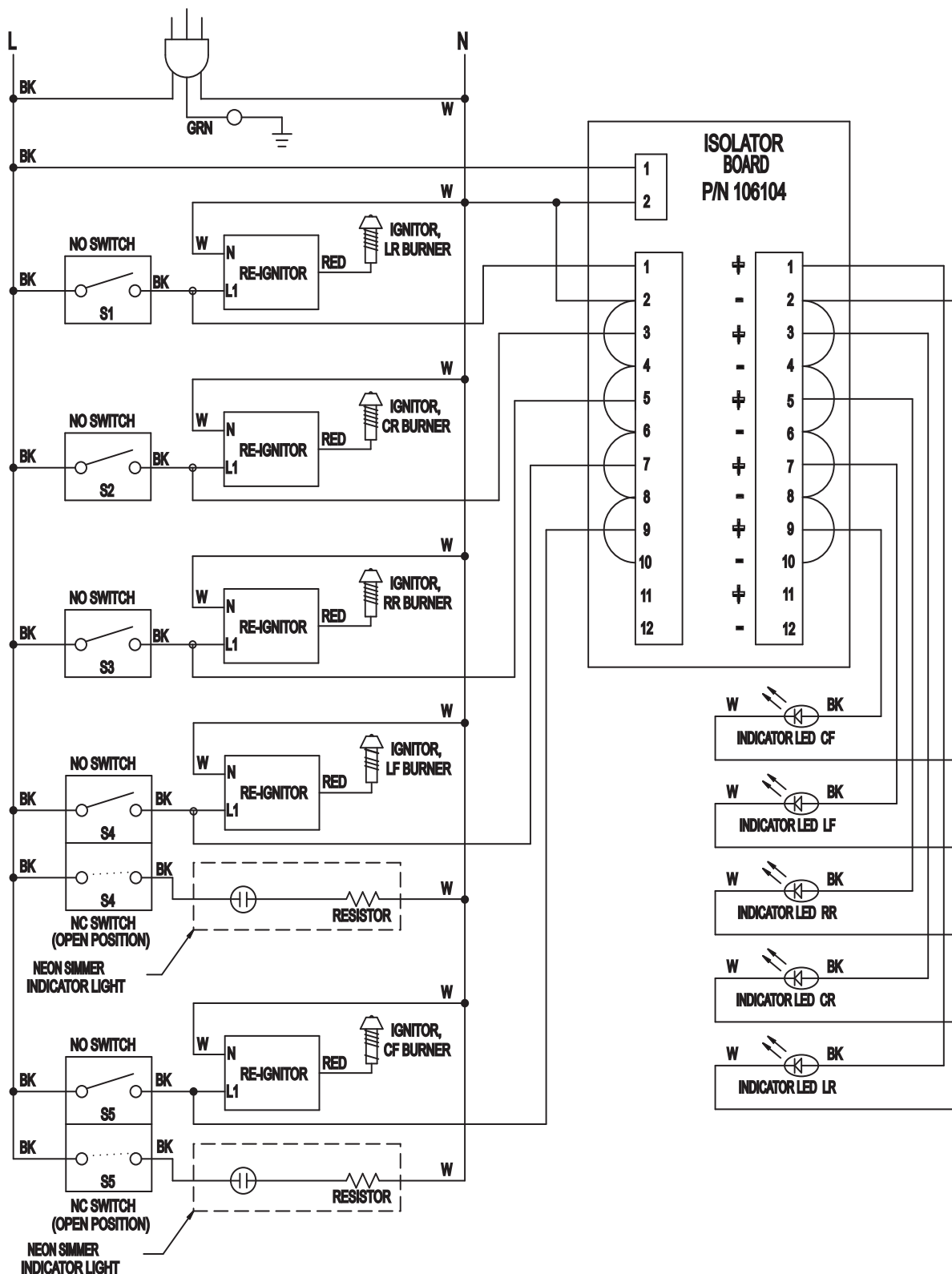


Wiring Diagrams

120V, 60Hz.
POWER SUPPLY
 VERIFY PROPER OPERATION
 AFTER SERVICING

WIRING DIAGRAM HDCT365

CAUTION: LABEL ALL WIRES PRIOR TO DISCONNECTION
 WHEN SERVICING CONTROLS. WIRING ERRORS CAN
 CAUSE IMPROPER AND DANGEROUS OPERATION.



Notes

dacor

LET THE SHOW BEGIN