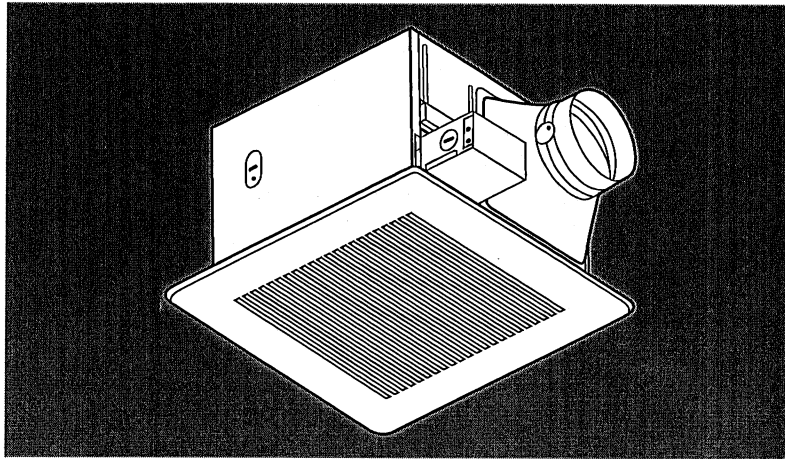


# INSTALLATION INSTRUCTIONS

Ventilating Fan

FV-05VQ3 FV-08VQ3  
FV-11VQ3 FV-15VQ4



## Panasonic®

### READ AND SAVE THESE INSTRUCTIONS.

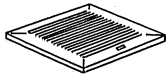




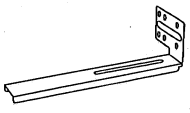


Please read these instructions carefully before attempting to install, operate or service the Panasonic Ventilating Fan. Failure to comply with instructions could result in personal injury and/or property damage. Please retain this booklet for future reference.

### Table of Contents

Supplied Accessories .....	2
Description .....	2
Wiring diagram .....	2
Dimensions .....	3
Specifications .....	4
Unpacking .....	4
General Safety Information .....	4-5
Installation I ( Joist Mounting-I ).....	6-8
Installation II ( Joist Mounting-II ).....	8-9
Installation III ( I-Joist Mounting ).....	10
Installation IV ( Between Joist Mounting ).....	10-11
Installation V ( Wooden Header ).....	12
Installation VI ( In Existing Construction ).....	12
Maintenance .....	13
Practical Guide to Installation .....	14
Product Service .....	14

## SUPPLIED ACCESSORIES

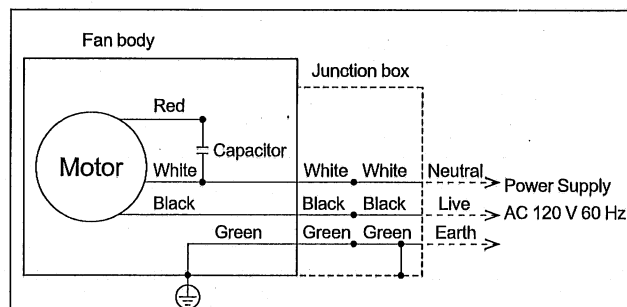
FV-05VQ3  
 FV-08VQ3  
 FV-11VQ3  
 FV-15VQ4

Part name	Appearance	Quantity
Grille		1
Long screw (ST4.2X20)		6
Thumb screw		1
Screw I (ST4.2X8)		2
Screw II (ST4.2X10)		2
Suspension bracket I		1
Suspension bracket II		1
Suspension bracket III		1

## DESCRIPTION

These Panasonic ceiling mount ventilation fans use a sirocco fan with dolphin-shaped blades driven by a capacitor motor. The motor is designed to have an extended service life with reduced energy consumption. Double orifice technology is used to reduce noise. It also incorporates a thermal-cutoff for safety. The grille covering the main body is a spring-loaded, quick-release type. A damper for preventing counterflow is provided. The double orifice technology and the sirocco fan are patented.

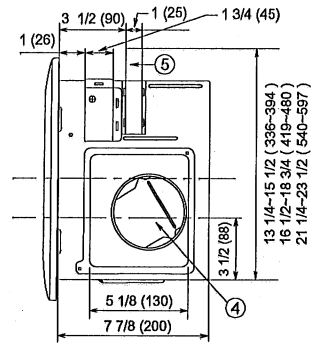
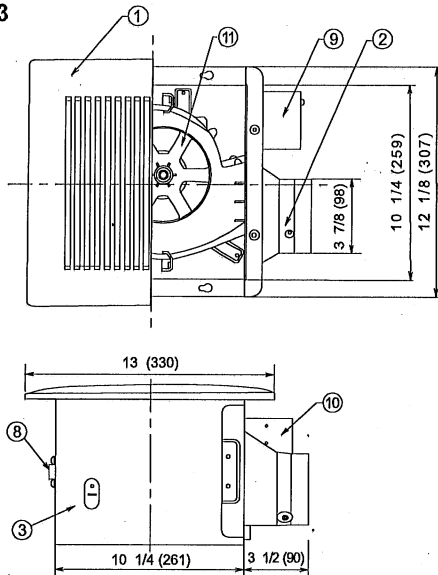
## WIRING DIAGRAM



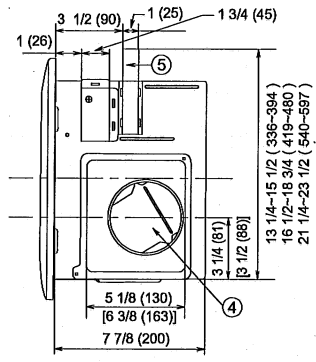
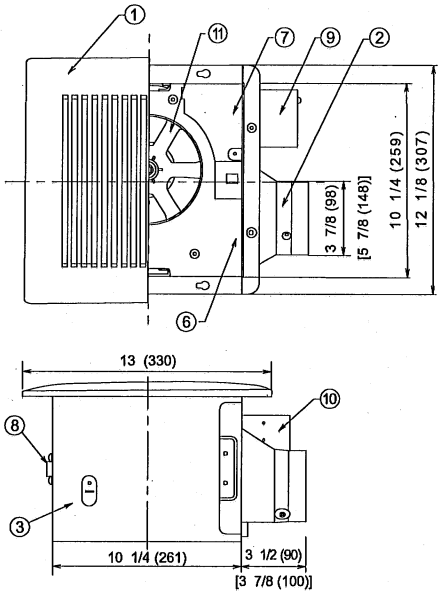
# DIMENSIONS

**FV-05VQ3**

Unit: inches(mm)



**FV-08VQ3 FV-11VQ3 FV-15VQ4** (The dimension in square brackets refers to FV-15VQ4 which is different from FV-08/11VQ3)



No.	Part name	No.	Part name
1	Grille	7	Orifice cover
2	Adaptor	8	Bracket cover
3	Fan body	9	Junction box cover
4	Damper	10	Junction box
5	Suspension bracket	11	Blade
6	Orifice		

(For 16 inches on center joists, only use suspension bracket I, for 19.2 inches on center joists, only use suspension bracket III, If more than 19.2 inches on center joists, use suspension bracket II & III.)

## SPECIFICATIONS

Model No.	Air direction	V	Hz	Duct diameter (inches)	Noise (sones)	Power consumption (W)	Speed (tr/min)	Air deliver at 0.1" WG(cfm)	Weight lb. (kg)
FV-05VQ3	Exhaust	120	60	4	< 0.3	13.0	820	50	11.7 (5.3)
FV-08VQ3				4	0.3	23.0	730	80	12.6 (5.7)
FV-11VQ3				4	0.8	31.0	810	110	13.0 (5.9)
FV-15VQ4				6	0.6	32.0	670	150	14.1 (6.4)

Specifications are based on HVI standard. .

## UNPACKING

Unpack and carefully remove unit from carton.  
Refer to the Supplied Accessories list to verify that all parts are present.

## GENERAL SAFETY INFORMATION

1. Do not install this ventilating fan where interior room temperature may exceed 104°F (40°C).
2. Make sure that the electric service supply voltage is 120 V, 60 Hz.
3. Follow all local electrical and safety codes, as well as the National Electrical Code (NEC) and the Occupation Safety and Health Act (OSHA).
4. Always disconnect the power source before working on or near the fan, motor or junction box.
5. Protect the power cord from sharp edges, oil, grease, hot surfaces, chemicals or other objects.
6. Do not kink the power cord.
7. Do not install the unit where ducts are configured as shown in Fig. A.
8. Provide suction parts with proper ventilation.
9. This unit is UL listed for use over a bathtub or shower when installed in a GFCI protected branch circuit.

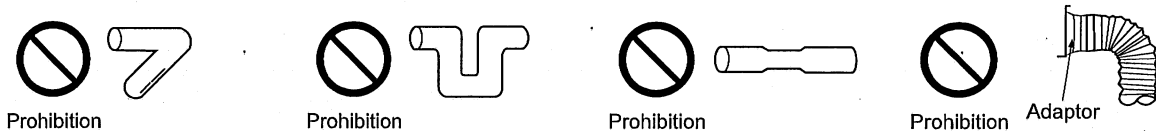


Fig. A

## GENERAL SAFETY INFORMATION CONTINUED

### CAUTION:

1. For general ventilating use only. Do not use to exhaust hazardous or explosive materials and vapors.
2. Not for use in cooking area. (Fig .B)
3. This product must be properly grounded.

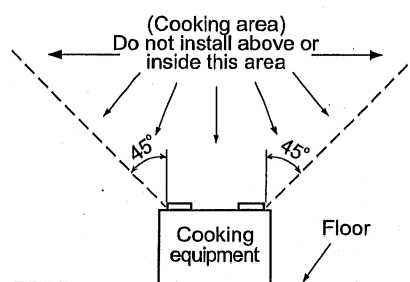


Fig. B

### WARNING:

To reduce the risk of fire, electric shock or injury to persons, observe the following;

- A. Use this unit only in the manner intended by the manufacturer. If you have any questions, contact to the manufacturer.
- B. Installation work and electrical wiring must be done by qualified person(s) in accordance with all applicable codes and standards, including fire-rated construction.
- C. Sufficient air is needed for proper combustion and exhausting of gases through the flue (chimney) of fuel burning equipment to prevent backdrafting. Follow the heating equipment manufacturer's guideline and safety standards such as those published by the National Fire Protection Association (NFPA), and the American Society for Heating Refrigeration and Air Conditioning Engineers (ASHRAE) and the local code authorities.
- D. When cutting or drilling into wall or ceiling, do not damage electrical wiring and other hidden utilities.
- E. Ducted fans must always be vented to the outdoors.
- F. These models are UL listed for tub and shower enclosures.
- G. Before servicing or cleaning unit, switch power off at service panel and lock the service disconnecting means to prevent power from being switched on accidentally. When the service disconnecting means cannot be locked, securely fasten a prominent warning device, such as a tag, to the service panel.
- H. NEVER place a switch where it can be reached from a tub or shower.
- I. Not to be installed in a ceiling thermally insulated to a value greater than R40. (This is required for installation in Canada only.)

# INSTALLATION I (JOIST MOUNTING-I)

1. Before installation, open the orifice cover. Secure the fan body to adaptor by using thumb screw. (Fig.1)

Press and hold the claw of orifice cover to open the orifice cover.

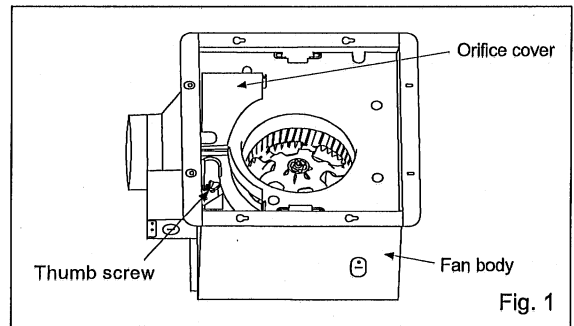
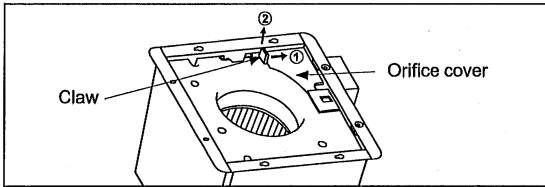


Fig. 1

**IMPORTANT:**

Remove the tape from damper and adaptor before installation. As shown below:

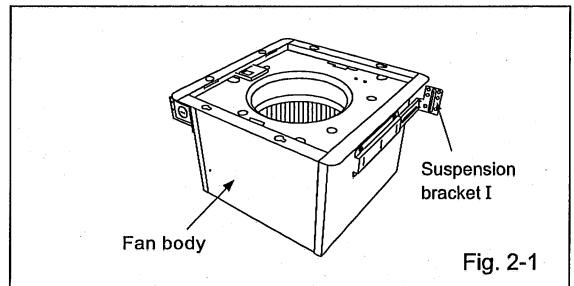
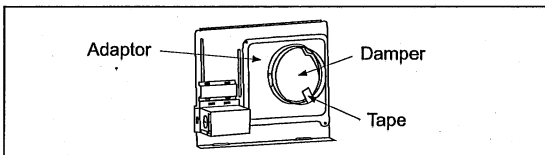
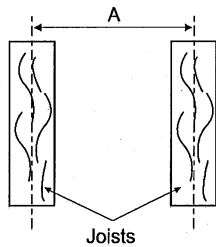


Fig. 2-1

2. Insert the suspension bracket into the fan body and adaptor. (Select the suspension bracket as shown below)



Spacing A on center joists	Insert Suspension bracket
12 inches	Refer to Fig. 2-1
16 inches	Refer to Fig. 2-2
19.2 inches vertical joists	Refer to Fig. 2-3
24 inches	Refer to Fig. 2-4

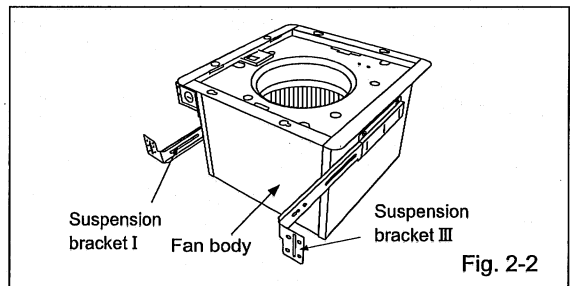


Fig. 2-2

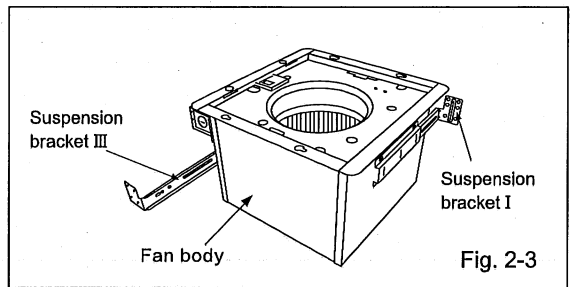


Fig. 2-3

If spacing A on center joists is 24 inches, connect suspension bracket II and III (C4 mark to C4 mark) as shown below :

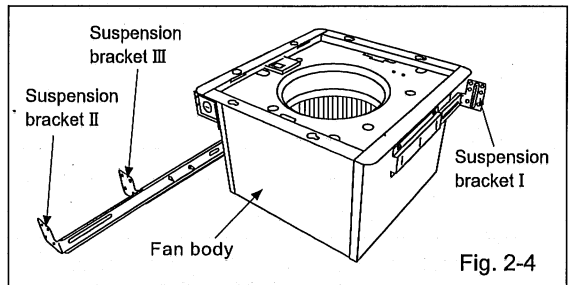
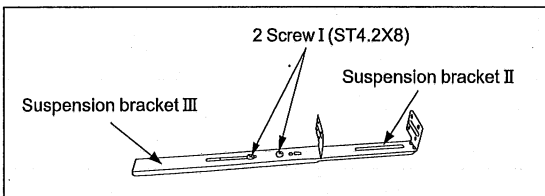
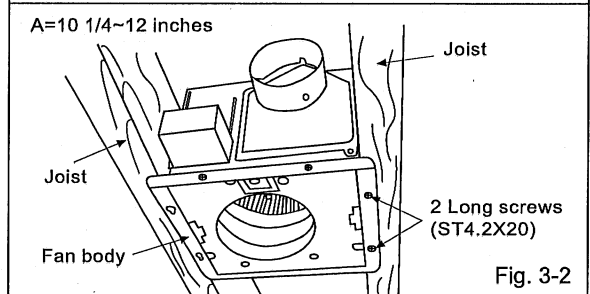
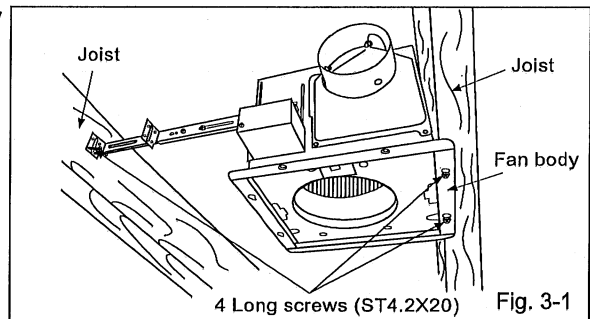


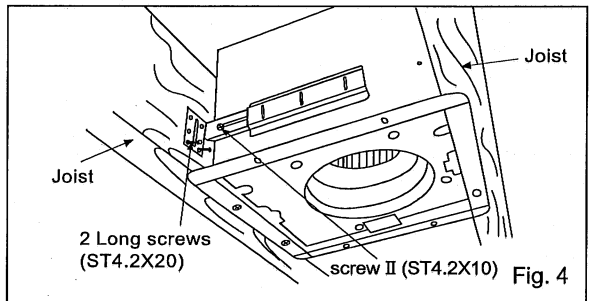
Fig. 2-4

## INSTALLATION I (JOIST MOUNTING-I) CONTINUED

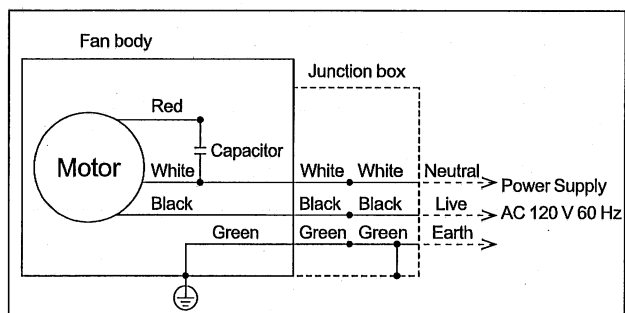
3. Install the suspension bracket and the flange of fan body to joists by using long screws. (ST4.2X20) ( If spacing A between joists is 10 1/4~12 inches, install the flange of fan body according to Fig.3-2, others according to Fig.3-1 to install the product.)



4. Install the suspension bracket to joists by using long screws (ST4.2X20) and secure it to the fan body by using screw II (ST4.2X10). (Fig.4)
5. Remove junction box cover and secure conduit or stress relief to junction box knock-out hole. (Fig.5)
6. Refer to wiring diagram below.  
Using wire nuts, connect house power wires to ventilating fan wires:  
black to black; white to white; green to green;  
Replace the junction box cover. (Fig.5)



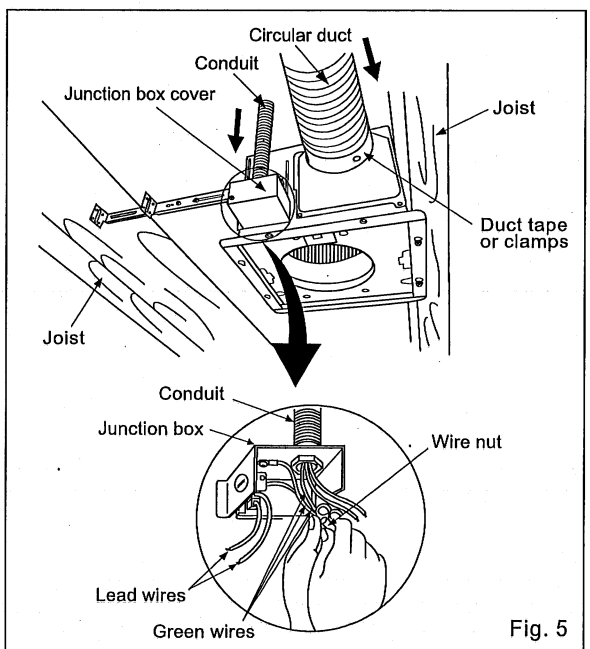
### Wiring diagram



### CAUTION:

Mount junction box cover carefully so that lead wires are not pinched.

7. Install a circular duct and secure it with duct tape or clamps.



## INSTALLATION I (JOIST MOUNTING-I) CONTINUED

8. Finish ceiling work. Ceiling hole should be aligned with the edge of the flange. (Fig.6)

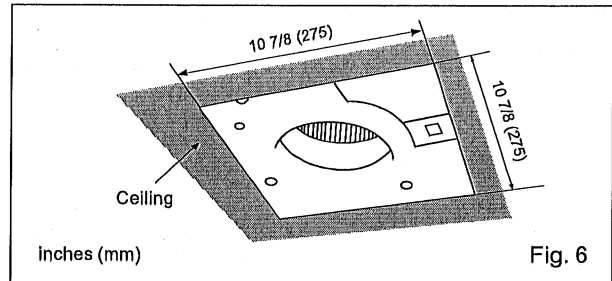


Fig. 6

9. Insert mounting springs into slots as shown and mount grille to fan body. (Fig.7)

**Note:**

Suitable for use with solid-state speed controls. Solid-state speed controls may cause harmonic distortion which can cause a motor humming noise.

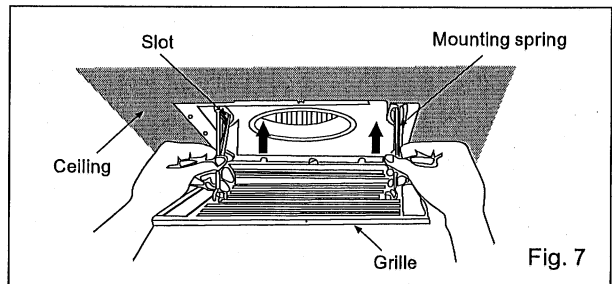


Fig. 7

## INSTALLATION II (JOIST MOUNTING-II)

1. Open the orifice cover, disconnect plug connector from receptacle and remove adaptor from fan body before starting installation.
2. Insert the suspension bracket into the adaptor and secure it to joists by using long screw (ST4.2X20). (Fig.8) Ensure that distance B (7/8 inch, 21.6mm) for the thickness of ceiling board.

If spacing A between joists is 21 1/4 to 23 1/2 inches (540~597mm), connect suspension bracket II and III (C4 mark to C4 mark) according to page 6. Select the suspension bracket according to spacing A as shown below.

Spacing A between Joists inches (mm)	13 1/4~15 1/2 (336~394)	16 1/2~18 3/4 (419~480)	21 1/4~23 1/2 (540~597)
suspension bracket	suspension bracket I	suspension bracket III	suspension bracket II & III

3. Follow step 5 to 7 of the installation I (page 7) to complete the duct work and wiring.

4. Insert the suspension bracket into fan body (referring to step 2 of installation I, page 6)

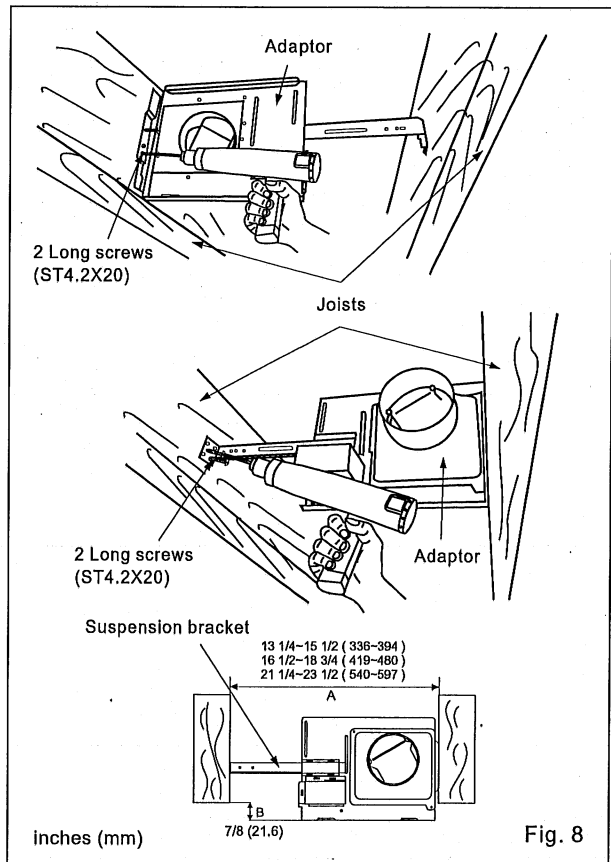


Fig. 8



## INSTALLATION II ( JOIST MOUNTING-II ) CONTINUED

5. Insert the fan body into joists. (Fig.9)

### IMPORTANT:

Make sure that adaptor claws are properly inserted into fan body slots.

6. Open the orifice cover, secure the fan body to adaptor by using thumb screw and plug connector to receptacle. (Fig.10)

7. Secure the suspension bracket to joists by using long screws (ST4.2X20) and secure it to fan body by using screw II (ST4.2X10) in vertical direction. (Fig.11)

8. Follow step 8 to 9 of installation I (page 8) to complete the installation work.

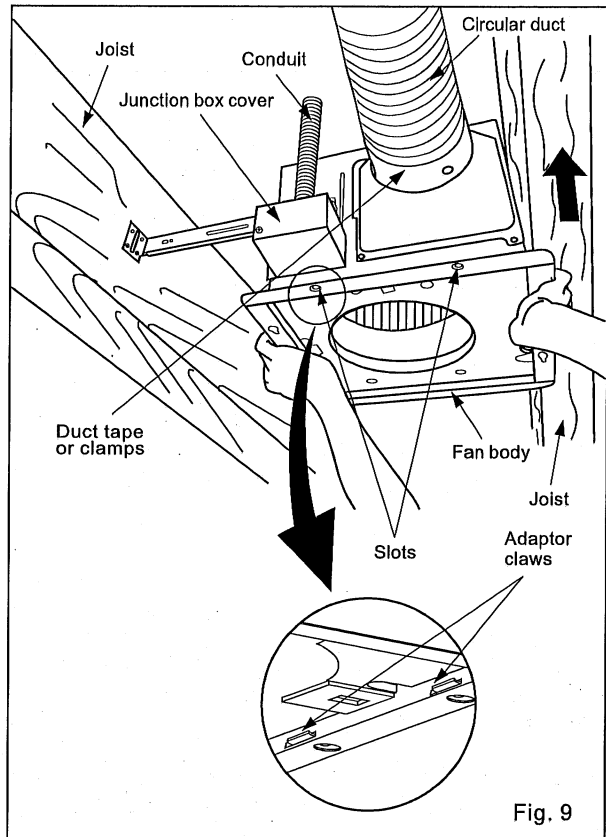


Fig. 9

### When mounting body and blower separately

1. Loosen 3 screws (but do not remove them from blower). (Fig.12-1)

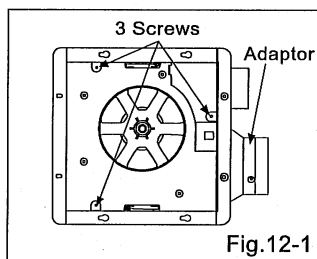


Fig.12-1

2. Remove blower section. (Fig.12-2)

3. Remove adaptor from fan body and secure it to joists as in Fig.8 of page 8.

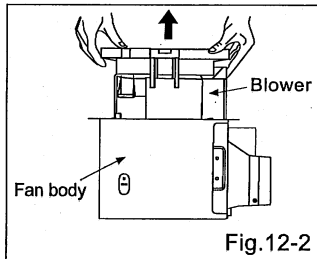


Fig.12-2

4. Insert fan body (without blower section) into joists. (Fig.9)

5. Secure the adaptor to fan body by using thumb screw. (Fig.10)

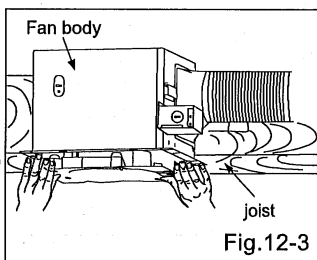


Fig.12-3

6. Secure the fan body to joists by using long screw (ST4.2X20). (Fig.11)

7. Insert the blower into the fan body. (Fig.12-3)

8. Secure the blower. (Fig.12-4) and plug connector to receptacle. (Fig.10)

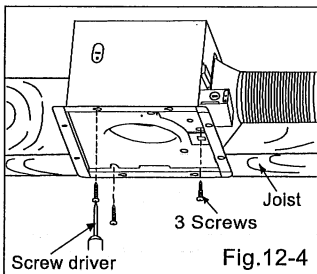


Fig.12-4

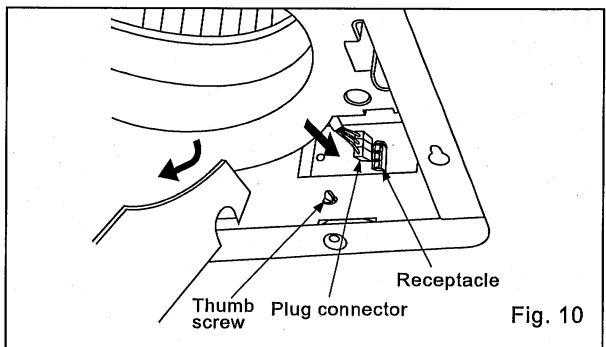


Fig. 10

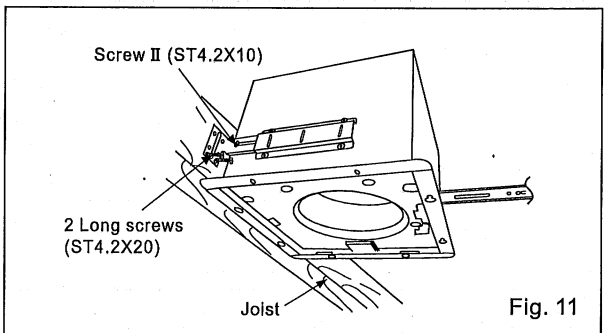
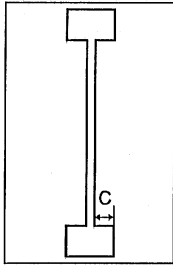
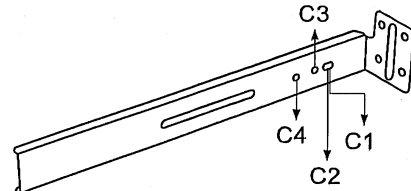


Fig. 11

## INSTALLATION III ( I-JOIST MOUNTING )



4 kinds of I-joist inches (mm)	
C1	9/16 (14.3)
C2	11/16 (17.5)
C3	31/32 (24.6)
C4	1 17/32 (38.9)



Suspension bracket III  
The suspension bracket III can comply with different kinds of I-joist.

1. Before installation, open the orifice cover. Secure the fan body to adaptor by using thumb screw. (Fig.1 of page 6)
2. Connect the suspension bracket III to fan body. (Fig.13)  
(Select the hole by checking I-joist size and fix the screw to the frame hole.)
3. Connect the fan body to the I-joist. (Fig.14)
4. Follow step 5 to 9 of installation I (page 7 ~ page 8) to complete the installation work.

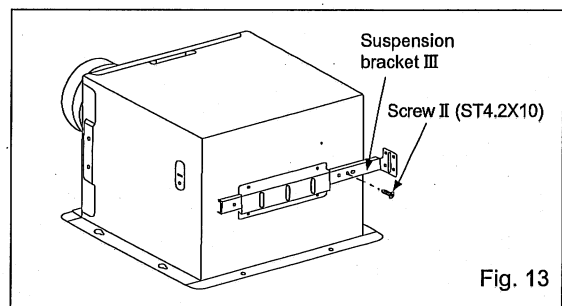


Fig. 13

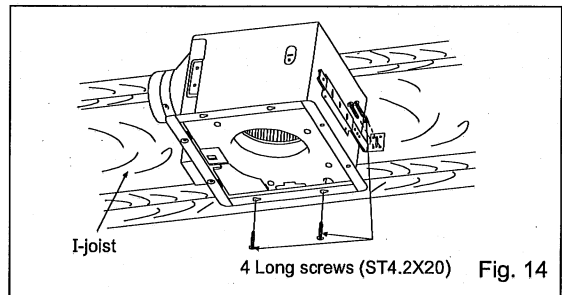
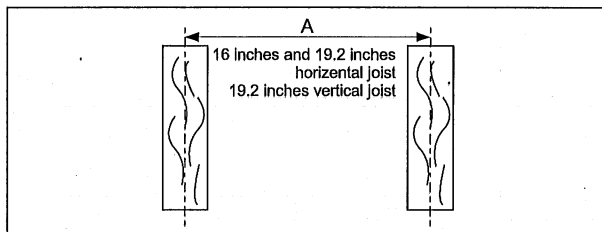


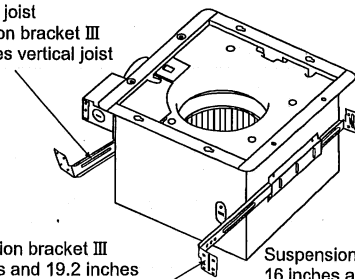
Fig. 14

## INSTALLATION IV ( BETWEEN JOIST MOUNTING )

1. Before installation, open the orifice cover. Secure the fan body to adaptor by using thumb screw. (Fig.1 of page 6)
2. Insert the suspension bracket into the bracket cover of adaptor side and the back of the fan body. (Fig.15)  
(select the suspension bracket according to spacing A as shown below)



Suspension bracket I  
16 inches and 19.2 inches  
horizontal joist  
Suspension bracket III  
19.2 inches vertical joist



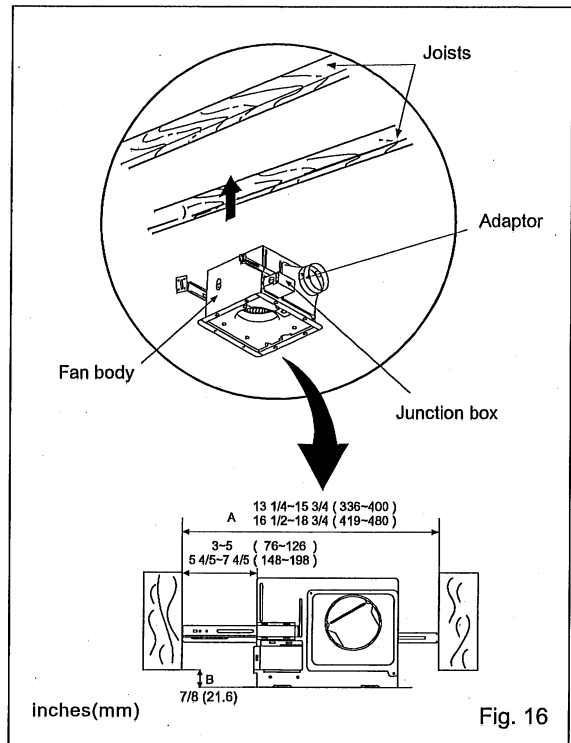
Suspension bracket III  
16 inches and 19.2 inches  
horizontal joist  
Suspension bracket II  
19.2 inches vertical joist

Suspension bracket II  
16 inches and 19.2 inches  
horizontal joist  
Suspension bracket I  
19.2 inches vertical joist

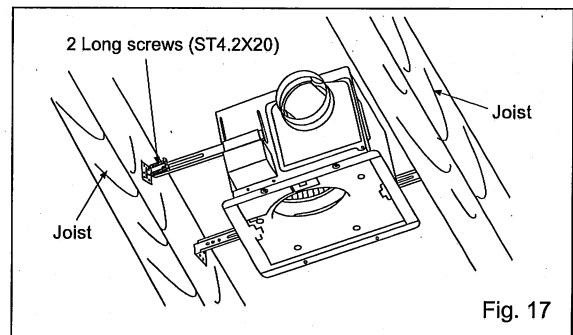
Fig. 15

## INSTALLATION IV ( BETWEEN JOIST MOUNTING ) CONTINUED

3. Insert the fan body between joists.  
 Make sure the fan body is level and square (perpendicular) with the joists. (Fig.16)  
 Ensure that distance B (7/8 inch, 21.6mm) for the thickness of ceiling board.

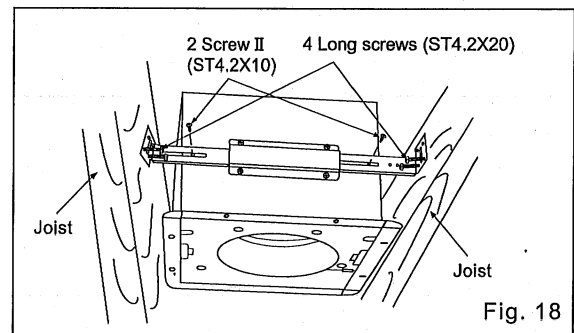


4. Secure the suspension bracket to joists by using long screws (ST4.2X20). (Fig.17 , Fig.18)



5. Secure the suspension bracket to fan body by using screw II (ST4.2x10). (Fig.18)

6. Follow step 5 to 9 of installation I (page 7 ~ page 8) to complete the installation work.



## INSTALLATION V ( WOODEN HEADER )

1. Before installation, open the orifice cover. Secure the fan body to adaptor by using thumb screw. (Fig.1 of page 6)
2. Install header between joists by using nails or screws.
3. Install the fan body and secure it by using long screws (ST4.2X20). (Fig.19, Fig.20)
4. Follow steps 5 to 9 of installation I (page 7 ~ page 8) to complete the installation work.

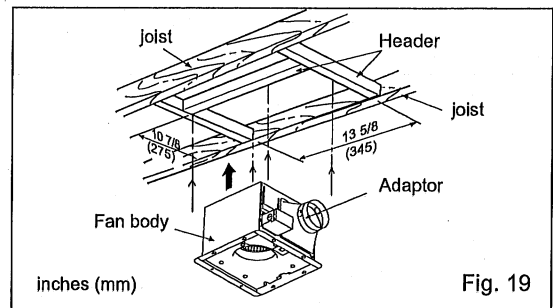


Fig. 19

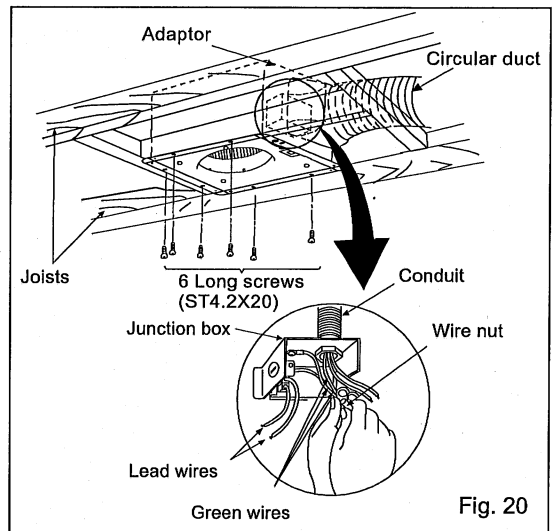


Fig. 20

## INSTALLATION VI ( IN EXISTING CONSTRUCTION )

1. Installation in existing construction.  
Installing the fan body in an existing building requires an accessible area (attic or crawl space) above the planning installation location or existing ducting and wiring.
  - (1) To install the fan body, follow the procedures described in Installation II. Take the following precautions before installation.

### CAUTION:

Check area above planning installation location to be sure that:

1. Duct work can be done and that area is sufficient for proper ventilation.
2. Wiring can be run to planning location.
3. No wiring or other obstructions shall interfere with installation.

- (2) Inspect duct work and wiring before proceeding with installation.
- (3) Plan suitable location for fan body. (next to ceiling joist)
- (4) Before installation, provide inspection and maintenance access at a location that will not interfere with installation work shown in installation II.
- (5) First, remove ceiling section according to Fig.6 of page 8.
- (6) Install fan body.
2. Installation from accessible area above fan location.
  - (1) Inspect duct work and wiring before proceeding with installation.
  - (2) Remove ceiling section according to Fig.6 of page 8.
  - (3) Install fan body.

## MAINTENANCE

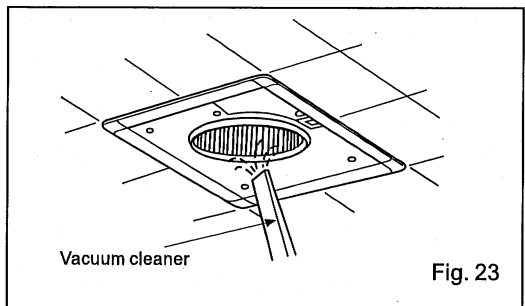
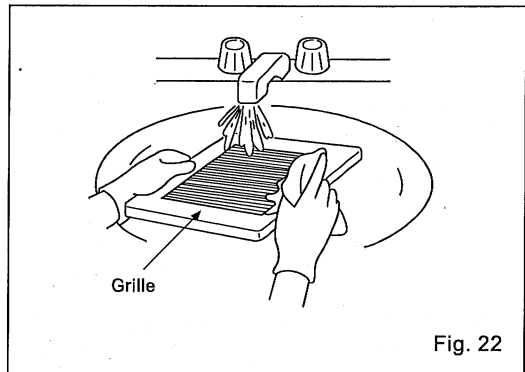
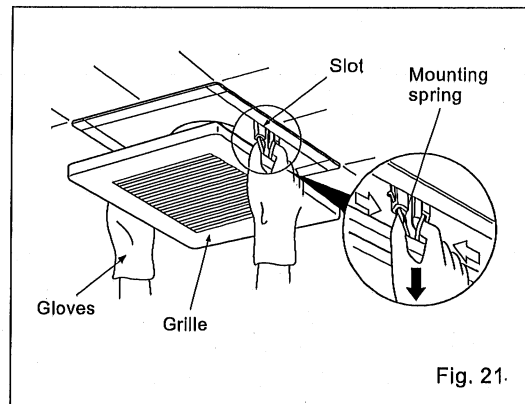
### WARNING:

Disconnect power source before working on unit. Routine maintenance must be done every year.

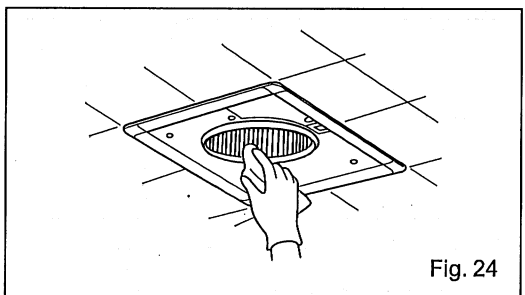
### CAUTION:

1. Never use petrol, benzene, thinner or any other such chemicals for cleaning the ventilating fan.
2. Do not damp water to motor.
3. Do not soak resin parts in water over 60°C.

1. Remove grille. (Squeeze mounting spring and pull down carefully.) (Fig.21)
2. Wash and clean grille. (Use non-abrasive kitchen detergent, wipe dry with new cloth.) (Fig.22)



5. Replace grille.



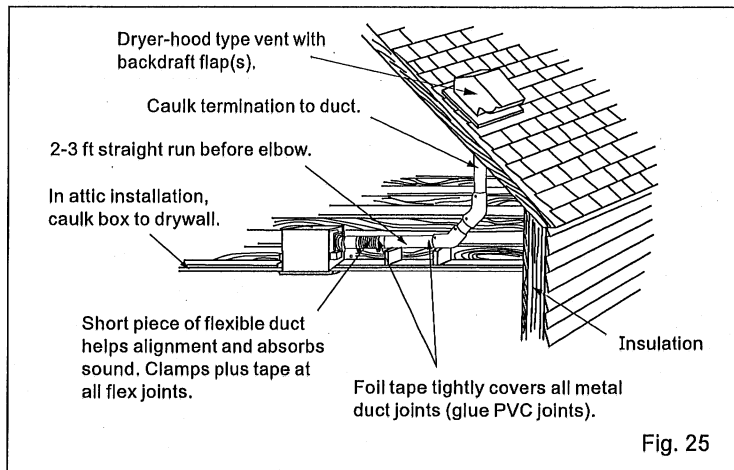
---

## PRACTICAL GUIDE TO INSTALLATION

---

Properly insulate the area around the fan to minimize building heat loss and gain. (Fig.25)

Loose fill or batt insulation can be placed directly over the fan housing in the attic. Panasonic fans and fan/light combination units do not create excessive heat that is a common problem with recessed light fixtures or some competitors' fan/light combinations. Our efficient, cool-running motors and our fluorescent bulbs do not create enough ambient heat to be subjected to these limitations.



---

## PRODUCT SERVICE

---

### Warning Concerning Removal of Covers.

The unit should be serviced by qualified technicians only. No service information is provided for customers. Your product is designed and manufactured to ensure a minimum of maintenance. However, should your unit ever require service, a nationwide system of factory service centers and AUTHORIZED INDEPENDENT SERVICE CENTERS is maintained to support your product's warranty. (In the U.S.A., call 1-866-292-7292 to Customer call center.)

---

**PANASONIC CONSUMER ELECTRONICS COMPANY**

Division of Panasonic Corporation of North America,  
One Panasonic Way, Secaucus, NJ 07094

**PANASONIC CANADA INC.**

5770 Ambler Drive, Mississauga, ON L4W 2T3

[www.panasonic.com](http://www.panasonic.com)

X1204-8189 08VQ34020G