

**Irritrol**<sup>®</sup>

**Landscape Irrigation** Catalogue  
2 0 1 5



# Welcome to the world of Irritrol...



**F**or over 40 years we have been active in the irrigation industry with state-of-the-art products. We have a wide range of products on the market suitable to satisfy our customers' increasingly demanding requests

both from an innovation point of view and in terms of respect for the environment.

Controllers, valves, sprayheads and rotors, nozzles, accessories and software for the design of the entire irrigation system... everything necessary for a high quality irrigation system. Our commitment, this year more than ever, has concentrated on the development of products that exploit technological innovation, able to guarantee high water savings.

In fact, now, you have the chance to get hold of the new Minisat, the latest generation Irritrol control unit that enables the standardised management of an entire irrigation system through your own PC; its operation is simple and intuitive; all you need is a radio or internet connection. Or the MC-E, the Irritrol controller with 18 to 48 stations, intended for use in large systems, or

Climate Logic, the innovative wireless system for the detection of evapo-transpiration in your garden, which by adjusting the water budget allows significant savings in terms of water and money. There is even a new product in the valve range, the E-pic, the smallest Irritrol valve, ideal for small residential systems whose dimensions and simplicity of use and maintenance are fundamental. Still small but powerful are the Rotary Nozzles, which through an internal rotating mechanism allow more uniform water delivery, and produce water savings that cannot be reached with the other nozzles on the market. So, to provide everything necessary for your system, we decided that a new range of valve boxes could be useful, adaptable to the different installation requirements and also resistant to higher loads, which we have therefore called Hercules.

The mixture of new products is obviously to be integrated with the rest of the range, making Irritrol one of the most reliable and popular brand on the market.

So, why wait? Have a look through our catalogue and enter the world of Irritrol made especially for you!



# New Products

**Rotary  
Nozzles**



**MC-E**



**E-Pic**





## Hercules Valve Boxes



## Climate Logic



## Minisat



# Index



## Controllers

<b>Electronic Tap Timer</b>	pag. 8
<b>New Tap Timer</b>	pag. 9
<b>Junior DC</b>	pag. 10
<b>Junior Plus</b>	pag. 12
<b>Junior Max</b>	pag. 14
<b>Kwik Dial</b>	pag. 16
<b>Rain Dial</b>	pag. 18
<b>Total Control</b>	pag. 20
<b>MC-E</b>	pag. 22
<b>Minisat</b>	pag. 24
<b>Icod Plus</b>	pag. 28
<b>Remote Control Kit</b>	pag. 30



## Valves

<b>E-Pic</b>	pag. 34
<b>Euro F and M</b>	pag. 36
<b>S Series</b>	pag. 38
<b>2400 Series</b>	pag. 40
<b>2500 Series</b>	pag. 42
<b>200B Series</b>	pag. 44
<b>Century Plus Series</b>	pag. 46
<b>700 Ultraflow Series</b>	pag. 48
<b>Omnireg</b>	pag. 50



## Sprinklers

### Sprayheads and Nozzles

<b>SL Series</b>	pag. 54
<b>I-PRO Series</b>	pag. 56
<b>Rotary Nozzles</b>	pag. 58
<b>I-PRO Nozzles</b>	pag. 60
<b>Pro-Van Nozzles</b>	pag. 62
<b>Special Nozzles</b>	pag. 64

### Rotors

<b>430R</b>	pag. 68
<b>550R-SC</b>	pag. 70
<b>Titan</b>	pag. 72
<b>Platinum</b>	pag. 74
<b>SIS 120F and SIS 120P</b>	pag. 76
<b>SGSI05</b>	pag. 78
<b>SPSI75</b>	pag. 80
<b>SPSI78</b>	pag. 81
<b>WT118</b>	pag. 82



## Accessories

<b>Hercules Valve Boxes</b>	pag. 86
<b>Climate Logic</b>	pag. 90
<b>Rain Sensors</b>	pag. 92
<b>Pressure Regulators</b>	pag. 93
<b>Lasco PVC</b>	pag. 94
<b>Blue Twister</b>	pag. 96
<b>Swivel Fittings</b>	pag. 97
<b>Modular Manifold</b>	pag. 98
<b>Super Blue Flex Hose</b>	pag. 99
<b>Waterproof Connector</b>	pag. 100
<b>Blazing Waterproof Connector</b>	pag. 100
<b>Cut-off Risers</b>	pag. 101

<b>Blazing Saddles</b>	pag. 101
<b>Self-Threading Elbow</b>	pag. 102
<b>Blazing Elbow</b>	pag. 102
<b>Swing Joint</b>	pag. 103
<b>Antivandalism Union</b>	pag. 103
<b>Blazing cutters</b>	pag. 104
<b>Check Valve</b>	pag. 104
<b>Drain Valve</b>	pag. 105
<b>Blazing drains valves</b>	pag. 105
<b>H<sub>2</sub>OCAD® Software</b>	pag. 106

<b>Promotional items</b>	
<b>Literature</b>	pag. 108
<b>Merchandising</b>	pag. 109







# Controllers

## Comparison Table

	Electronic Tap Timer	New Tap Timer	Junior DC	Junior Plus	Junior Max	Kwik Dial	Rain Dial	Total Control	MC-E	Minisat
<b>Pages n°</b>	8	9	10	12	14	16	18	20	22	24
<b>Battery power</b>	✓	✓	✓							✓
<b>Current power supply</b>				✓	✓	✓	✓	✓	✓	✓
<b>Stations number</b>	1	1	1,2,4	2,4,6,8	2,4,6,8	4,6,9,12	6,9,12	6,9,12,15,18,24,36,48	18,24,36,48	from 4 to 16
<b>Indipendent programs</b>	8	1	2	2	3	3	3	4	8	8
<b>Start times per program</b>	1	24	3	3	3	3	3	16	8	4
<b>Indoor model</b>				✓	✓		✓			
<b>Outdoor model</b>	✓	✓	✓		✓	✓	✓	✓	✓	✓
<b>Water Budget</b>			✓	✓	✓	✓	✓	✓	✓	✓
<b>Applications:</b>										
<i>Terraces and balconies</i>	●	●	●							●
<i>Small size gardens</i>			●	●	●					●
<i>Medium size gardens</i>					●	●	●			●
<i>Big size gardens</i>								●	●	●



# Electronic Tap Timer



- 1 station
- 8 independent programs
- 1 start per program
- 3/4" threaded female connection

**E**lectronic Tap Timer, the Irritrol battery-powered single-station control unit with a built-in solenoid valve, very simple to use. Connectable to a normal tap, it can be installed on any terrace or balcony without needing any special materials or equipment. It is also equipped with a cover to protect the display and a gasket for the battery for protection against atmospheric agents. The programming is simple and quick, also providing the possibility of managing the irrigation manually or automatically.



## Features

- Irrigation duration from 1 minute to 23 hours and 59 minutes
- Irrigation programming: weekly or alternate days (from 1 to 30)
- Flat battery indicator
- Key to cancel the program
- Manual or automatic start

## Specifications

- Power supply: one 9V alkaline battery
- Operating temperature: from 5°C to 38°C
- Recommended water pressure: from 1,4 to 6,9 bar
- Max operating pressure: 10 bar (with higher pressures use a pressure reducer from the tap)

## Codification

Code	Description
IT-EET	Electronic Tap Timer, battery-powered single-station electronic controller with built-in solenoid valve

# New Tap Timer



- 1 station
- 1 program
- 24 starts per program
- 3/4" threaded female connection



**T**he new Tap Timer by Irritrol is a battery-powered, single-station electromechanical controller with built-in solenoid valve and comes in a new and compact design. The solenoid valve allows accurate and reliable irrigation making it perfect for small gardens and terraces.

Programming is easy and fast as irrigation can be managed based on two parameters: irrigation frequency and duration. There is also a model with a rain sensor connection for even greater irrigation flexibility and accuracy.

## Features

- Irrigation duration from 0 to 120 minutes
- Irrigation programming from 1 hour to 1 week
- Flat battery indicator
- Program start delay up to 12 hours

## Specifications

- Power supply: one 9V alkaline battery
- Latching solenoid valve
- Valve flow rate: 20 – 1140 l/h (at approx. 2,0 bar)
- Recommended water pressure from 1,0 to 8,0 bar
- Model with rain sensor connection

## Options

- Rain sensor

## Codification

Codice	Descrizione
<b>IT-NTT</b>	New Tap Timer - a single-station electromechanical controller with 9V battery and 3/4" female threaded coupling
<b>IT-NTT-R</b>	New Tap Timer - a single-station electromechanical controller with 9V battery and 3/4" female threaded coupling with rain sensor connection.
<b>IT-TT*</b>	Tap Timer - a battery-powered, single-station electromechanical controller with 3/4" female threaded coupling (previous model).



\* until stock runs out

# Junior DC



- 1,2,4 stations
- 2 independent programs
- 3 starts per program
- Water Budget: from 10% to 200%

The electronic battery-powered Junior DC control unit is the ideal solution when the use of electricity on your terrace or in your garden is a problem. Also, thanks to the IP68 box it can also be installed in a valve box or mounted on a wall. This small control unit, which can be directly connected to a valve, allows up to four stations to be managed with three start times per each of the two programs, therefore guaranteeing remarkable flexibility and accuracy in your irrigation, also through the possibility to connect a wired rain sensor.



## Features

- Irrigation duration from 1 minute to 599 minutes (10 hours), with 1 minute increases
- Irrigation programming: 7 calendar days or at intervals of 1 to 14 days
- Flat battery indicator
- Program cancellation possibility
- Stacking Program
- Rain interruption function
- Cover for display protection



## Additional Features

- Water-resistant IP68 box
- Use with Irritrol DCL 9 Volt solenoid

## Specifications

- Power supply: one 9V alkaline battery
- One 9-12 V outlet for Irritrol Latching DCL solenoid
- Operation with latching solenoid valves 9-12V, two 2 or 3 way wires

## Dimensions

- Height: 14 cm
- Width: 8,5 cm
- Depth: 7,6 cm

## Options

- Rain sensor



Maximum distance between Junior DC and Irritrol DCL latching solenoid

Cable section (mm <sup>2</sup> )	Max distance (m)
0,5	100
1,0	200
1,5	300

## Codification

Code	Description
<b>JRDC-1-R</b>	Junior DC, battery-powered electronic controller, 1 station, without solenoid
<b>JRDC-2-R</b>	Junior DC, battery-powered electronic controller, 2 stations, without solenoid
<b>JRDC-4-R</b>	Junior DC, battery-powered electronic controller, 4 stations, without solenoid
<b>JRDC-1-2400MT</b>	Junior DC, battery-powered electronic controller, 1 station, with DCL solenoid and 2400 MT valve
<b>JRDC-1-25003</b>	Junior DC, battery-powered electronic controller, 1 station, with DCL solenoid and Euro F" FC valve
<b>DCL</b>	Irritrol latching solenoid 9-12 VDC



# Junior Plus



- 2, 4, 6, 8 stations
- 2 independent programs
- 3 starts per program
- Water Budget: from 10% to 200%

The Junior Plus controller is ideal for watering small gardens and not very big areas where flexible irrigation and simple programming is required. Junior Plus is the right compromise for anyone who needs to manage irrigation in his/her garden without a controller that is too complicated to program.



## Features

- Irrigation duration from 1 minute to 599 minutes (10 hours), with 1 minute increases
- Irrigation programming:
  - Weekly irrigation
  - Irrigation on alternate days from 1 to 30 days
- Program cancellation possibility
- Stacking Program
- Rain interruption function
- Manual start per program or per station
- Pump control
- EC approvals



## Additional Features

- “24V” warning indicating a power cut
- “25V” warning indicating a burnt fuse

## Specifications

- Input power:
  - 2 AA 1,5 V alkaline batteries (not included)
- Output power:
  - Max output per station: 24 VAC (0,35 A)
  - Max output per valve (including pump control): 24VAC (0,5 A)
- 0,5 Amp fuse

## Dimensions

- Height: 9,5 cm
- Width: 11,5 cm
- Depth: 2,5 cm

## Options

- Rain sensor

## Codification

Code	Description
<b>JR+2-220</b>	Junior Plus, 2-station controller, with external transformer 220 VAC
<b>JR+4-220</b>	Junior Plus, 4-station controller, with external transformer 220 VAC
<b>JR+6-220</b>	Junior Plus, 6-station controller, with external transformer 220 VAC
<b>JR+8-220</b>	Junior Plus, 8-station controller, with external transformer 220 VAC

# Junior Max



- 2,4,6,8 stations
- 3 independent programs
- 3 starts per program
- Water Budget: from 0% to 200%

The Junior Max control unit combines simplicity with reliability and can therefore be used by non-specialist people for watering small, medium gardens or small, medium green areas. In fact, it is equipped with self-guided LED displayed programming, which helps the user through the different programming procedures.



## Features

- Irrigation duration from 1 to 240 minutes
- Flexible irrigation programming:
  - Weekly irrigation
  - Irrigation on even and odd days (excluding the 31st day of the month)
  - Irrigation at 1 to 14 day intervals
  - 365-day calendar
- Battery charge indication in real time
- Program cancellation possibility
- Rain interruption function up to 7 days
- Manual start per program or per station
- Master valve command per program
- Pre-set program in the event of power cut
- Permanent memory up to 5 years
- Container with cover and lock for the outdoor version
- Multilingual menu
- EC approval

## Additional Features

- Standard start for programs A and B, whereas program C offers the chance to have a "Loop\*" or another start
- Self-guided programming LED displayed, to help the user through the different irrigation planning procedures
- Easy programming wherever you are (thanks to the batteries no electricity is needed for the programming stage)

\* Very useful program during germination



## Specifications

- Input power:**
  - 230 VAC, 50/60 Hz (0,5 A)
- Output power:**
  - Max per station: 24 VAC (0,25 A)
  - Max total (including pump control): 24 VAC (0,5 A)
- Restorable electronic fuse

## Dimensions

- Indoor model:**
  - Height: 11,3 cm
  - Width: 13,5 cm
  - Depth: 4,0 cm
- Outdoor model:**
  - Height: 19,4 cm
  - Width: 16,8 cm
  - Depth: 8,9 cm

## Options

- Rain sensor connection

## Codification

Code	Description
JRMAX-2-220	Junior Max, 2-station controller, with external transformer 220 VAC
JRMAX-4-220	Junior Max, 4-station controller, with external transformer 220 VAC
JRMAX-6-220	Junior Max, 6-station controller, with external transformer 220 VAC
JRMAX-8-220	Junior Max, 8-station controller, with external transformer 220 VAC
JRMAX-2-220-EXT	Junior Max, 2-station controller, with built-in transformer 220 VAC
JRMAX-4-220-EXT	Junior Max, 4-station controller, with built-in transformer 220 VAC
JRMAX-6-220-EXT	Junior Max, 6-station controller, with built-in transformer 220 VAC
JRMAX-8-220-EXT	Junior Max, 8-station controller, with built-in transformer 220 VAC



# Kwik Dial



- 4,6,9,12 stations
- 3 independent programs
- 3 starts per program
- Water Budget: from 0% to 200%

**K**wik Dial was designed for watering medium-sized gardens that require more careful planning. It is the entry-level control unit with mechanical Dial in the Irritrol range, which makes the simple programming similar to other Irritrol professional controllers.



## Features

- Irrigation duration from 1 minute to 240 minutes (4 hours), with 1 minute increases per station
- Flexible irrigation programming:
  - Daily irrigation (up to 9 starts per day)
  - Weekly irrigation
  - Irrigation on even and odd days (excluding the 31st day of the month and the 29th day of a leap year)
  - Irrigation at 1 to 30 day intervals
  - Day exclusion option: possibility to choose the day or specific days when not to irrigate
- Stacking Program
- Rain interruption function up to maximum 7 days
- Automatic, semi-automatic and manual start
- Permanent memory
- The "Super Cap" option provides back up power for maintaining the current time and date in the event of a power cut for more than 24 hours (without needing batteries)
- Test program for all the stations
- Automatic program for electronic protection\*
- Rain sensor activation through switch
- Container with cover and lock
- Multilingual menu
- EC approval

\* Identifies the valve in short circuit and removes it from the program

## Additional Features

Protection against current surges (both on internal and external lines) for damage caused by lightning and voltage surges

## Specifications

- Input power:
  - 220 VAC, 50Hz (0,5 A)
- Output power:
  - Max per station: 24 VAC (0,4 A)
  - Max total (including pump control): 24 VAC (0,8 A)
- Operating temperature: from -10° to 60° C



## Options

- Rain sensor connection
- Climate Logic
- CMR KIT
- KWIK Start Kit

## Dimensions

- Height: 23 cm
- Width: 15,3 cm
- Depth: 10,2 cm

## Codification

Code	Description
<b>KD4-EXTE</b>	Kwik Dial, 4-station controller, with built-in transformer 220 VAC
<b>KD6-EXTE</b>	Kwik Dial, 6-station controller, with built-in transformer 220 VAC
<b>KD9-EXTE</b>	Kwik Dial, 9-station controller, with built-in transformer 220 VAC
<b>KD12-EXTE</b>	Kwik Dial, 12-station controller, with built-in transformer 220 VAC

# Rain Dial



- 6, 9, 12 stations
- 3 independent programs
- 3 starts per program
- Water Budget: from 0% to 200%

The electronic control unit Rain Dial was created for quick, flexible setting of irrigation in parks and gardens of medium sizes. Thanks to the removable panel, it can be set anywhere and through its many programming possibilities, it is one of the most complete Irritrol control units, which can be used in different situations.



## Features

- Irrigation duration from 1 minute to 359 minutes (5,9 hours), with 1 minute increases per station
- Flexible irrigation programming:
  - Daily irrigation (up to 3 starts at day)
  - Weekly irrigation
  - Irrigation on even and odd days (excluding the 31st day of the month)
  - Irrigation at 1 to 15 day intervals
  - Day exclusion option: possibility to choose the day or specific days when not to irrigate
  - 365-day calendar
- Possibility to cancel a program
- Stacking Program
- Rain interruption function up to maximum 9 days
- Automatic, semi-automatic and manual start per station or per program
- Pump/master valve command per station
- Permanent memory
- Test program for all the stations
- Delay option between 2 stations: possibility to set an adjustable interval from 1 second to 2 hours between one station and the next (facilitates the operation of the slow closing valves or well water recovery)
- Activation and deactivation of the pump/master valve also during the delay between 2 stations
- Diagnostic switch to identify the stations with excessive energy consumption, highlight them and stop them (they are automatically bypassed and highlighted on the display)
- Container with cover and lock for the outdoor version
- Multilingual menu
- EC approval



## Additional Features

- Program start time removal option at four time intervals:  
11:59 p.m./12:00 a.m.;  
11:59 a.m./12:00 p.m.;  
5:59 a.m./6.00 a.m.  
and 5:59 p.m./6:00 p.m.
- Pre-set default setting reset

## Specifications

- Input power:
  - Indoor model: 24 VAC, 50 Hz (0,5 A) (from plug-in transformer)
  - Outdoor model: 220 VAC, 50Hz (0,5 A)
- Output power for both models:
  - Max per station: 24 VAC (0,5 A)
  - Max total (including pump control): 24 VAC max (1,25 A)
  - Slow action 2 A fuse
  - 9 volt alkaline battery (not included)
  - Operating temperature: from 0° to 60° C

## Dimensions

- Indoor model:**
  - Height: 46,3 cm
  - Width: 17,8 cm
  - Depth: 21,0 cm
- Outdoor model:**
  - Height: 46,3 cm
  - Width: 65,8 cm
  - Depth: 10,2 cm

## Options

- Rain sensor connection
- Climate Logic



## Codification

Code	Description
<b>RD600-INT-LT</b>	Rain Dial, 6-station controller, with external transformer 220 VAC
<b>RD900-INT-LT</b>	Rain Dial, 9-station controller, with external transformer 220 VAC
<b>RD1200-INT-LT</b>	Rain Dial, 12-station controller, with external transformer 220 VAC
<b>RD600-EX-50H</b>	Rain Dial, 6-station controller, with built-in transformer 220 VAC
<b>RD900-EX-50H</b>	Rain Dial, 9-station controller, with built-in transformer 220 VAC
<b>RD1200-EX-50H</b>	Rain Dial, 12-station control unit, with built-in transformer 220 VAC
<b>RD-6MOD-R</b>	Module for Rain Dial - 6 stations
<b>RD-9MOD-R</b>	Module for Rain Dial - 9 stations
<b>RD-12MOD-R</b>	Module for Rain Dial - 12 stations



# Total Control



- 6, 9, 12, 15, 18, 24, 36, 48 stations
- 4 independent programs
- 4 starts per program
- Water Budget: from 0% to 200%

**T**otal Control is the Irritrol controller designed for the irrigation of large gardens and parks, which can manage up to 48 stations. Its flexibility enables to program up to 16 daily start times; and thanks to the large display and central dial the programming is simple and quick even for systems with a lots of stations.



## Features

- Irrigation duration from 1 minute to 600 minutes (10 hours), with 1 minute increases
- Flexible irrigation programming:
  - Daily irrigation (up to 16 starts per day)
  - Weekly irrigation
  - Irrigation on even and odd days (excluding the 31st day of the month)
  - Irrigation at 1 to 30 day intervals
  - 365-day calendar
- Possibility to cancel a program
- Stacking Program
- Rain interruption function up to maximum 7 days
- Automatic, semi-automatic and manual start
- Pump/master valve command per program
- Permanent memory up to 8 years
- Automatic program for electronic protection\*
- Off switch to interrupt irrigation keeping the program on for a programmable period of 1 to 7 days
- Rain sensor activation through switch
- Container with cover and lock
- Multilingual menu
- EC approval

\* Identifies the valve in short circuit and removes it from the program



## Additional Features

- Clock moves on in the event of power cut up to 90 days
- Metal box with lock for versions with 36 to 48 stations

## Specifications

- Input power:
  - 220 VAC, 50Hz (0,5 A)
- Output power:
  - Max per station: 24 VAC, 50 Hz (0,5 A)
  - Max total (including pump control): 24 VAC, 50 Hz (1,25 A)
- Slow action 2 A, 250 Volt fuse
- 9 volt alkaline battery (not included)
- Operating temperature: from 0° to 60° C



## Dimensions

- Height: 21,3 cm
- Width: 26,7 cm
- Depth: 12,7 cm

## Options

- Rain sensor connection
- Climate Logic



## Codification

Code	Description
<b>TC-6EX-R-50H</b>	Total Control, 6 station controller, built-in transformer 220 VAC
<b>TC-9EX-R-50H</b>	Total Control, 9 station controller, built-in transformer 220 VAC
<b>TC-12EX-R-50H</b>	Total Control, 12 station controller, built-in transformer 220 VAC
<b>TC-15EX-R-50H</b>	Total Control, 15 station controller, built-in transformer 220 VAC
<b>TC-18EX-R-50H</b>	Total Control, 18 station controller, built-in transformer 220 VAC
<b>TC-24EX-R-50H</b>	Total Control, 24 station controller, built-in transformer 220 VAC
<b>TC-36EX-R-50H</b>	Total Control, 36 station controller, built-in transformer 220 VAC, metal box
<b>TC-48EX-R-50H</b>	Total Control, 48 station controller, built-in transformer 220 VAC, metal box
<b>TC-6MOD-R</b>	Module for Total Control 6 stations
<b>TC-9MOD-R</b>	Module for Total Control 9 stations
<b>TC-12MOD-R</b>	Module for Total Control 12 stations
<b>TC-15MOD-R</b>	Module for Total Control 15 stations
<b>TC-18MOD-R</b>	Module for Total Control 18 stations
<b>TC-24MOD-R</b>	Module for Total Control 24 stations
<b>TC-36MOD-R</b>	Module for Total Control 36 stations
<b>TC-48MOD-R</b>	Module for Total Control 48 stations



# MC-E

- 18, 24, 36, 48 stations
- 8 independent programs
- 8 starts per program
- Water Budget: from 0% to 250%

The MC-E electronic control unit created to control the irrigation of large gardens and parks offers many advantages for water saving. Thanks to the possibility to set alarms, unexpected events and excessive water consumption can be detected.



## Features

- Irrigation duration:
  - From 0 to 59 seconds, with 1 second increases per station
  - From 1 minute to 24 hours, with 1 minute increases per station
- Flexible irrigation programming:
  - Daily irrigation
  - Irrigation on even and odd days (excluding the 31st day of the month)
  - Irrigation at 1 to 60 day intervals
- Possibility to cancel a program
- Stacking Program
  - Up to 6 stations can work at the same time
- Rain interruption function up to maximum 14 days
- Automatic, semi-automatic and manual start per station or per program
- Pump/master valve command per station
- Permanent memory
- The spare battery maintains the current time and date in the event of power cuts
- Test program for all the stations
- Delay option between 2 stations: possibility to set an adjustable interval from 1 second to 2 hours between one station and the next (facilitates the operation of the slow closing valves or well water recovery)
- Activation and deactivation of the pump/master valve also during the delay between 2 stations
- Diagnostic switch to identify the stations with excessive energy consumption, highlight them and stop them (they are automatically bypassed and highlighted on the display)
- Protection against short circuits
- Multilingual menu
- EC approval





# Minisat



- from 4 up to 16 stations
- 8 independent programs
- 4 start times per program
- Water Budget: from 5% to 250%

The Minisat is the innovative Irritrol control unit that allows a whole irrigation system to be managed and controlled via PC, based on a wired connection, a radio connection or via GPRS/GSM.



## Features

- Time or volume based irrigation control
- Irrigation planning: 14 day calendar
- Manual start per program or per station
- Permanent memory

## Additional Features

- Possibility of managing the entire irrigation system through the PC software
- Automatic calculation of the flow rate for each sector (one water totalizer and one water choke)
- Automatic calculation of the water budget with the ground humidity sensor
- Possibility of installing the control unit directly in the valve boxes (model IP68)
- Possibility of setting alarms in the event of malfunctioning
- Possibility of direct connection of the soil humidity sensor and also a choice from:
  - 1 on/off contact (rain, wind, etc.)
  - 1 litre meter (Reed or TTL)
- Possibility of GPRS/GSM connection to a weather station (Minisat Weather GSM) to which other sensors can be connected: soil moisture sensor, wind sensor, rain gauge, air humidity and temperature sensor and solar radiation sensor.

## Specifications

### Alimentation:

- 4 stations model:
  - Battery or mains powered (220 VAC) or with a solar panel (10W)
  - Output 9-12 VDC
  - Latching solenoids 9-12 Volt

- 16 stations model:
  - Mains powered (220 VAC)
  - Output 24 VAC
  - Solenoids 24 VAC

Output for optical siren

Operation with radio connection through the frequency: 868 Mhz and 434 Mhz

Maximum distances to respect:

- for distances from 500 mt to 3 km\*, you need a Minisat operating at a frequency of 868 MHz
- for distances from 700 mt to 4 km\*, you need a Minisat operating at a frequency of 434 MHz

Operation with internet (GPRS) and modem GSM connection when the distances exceed those permitted by radio connection

\* In this case the Minisat master must be configured as repeater

## Options

- Possibility of expansion of the 4 stations model up to 16 stations with:
- Wired slave: 4 and 8 stations
  - Wireless slave: 1 station (Minisat One)

## Dimensions

- 4 stations model:
- Height: 9,0 cm
  - Width: 15,0 cm
  - Depth: 5,5 cm

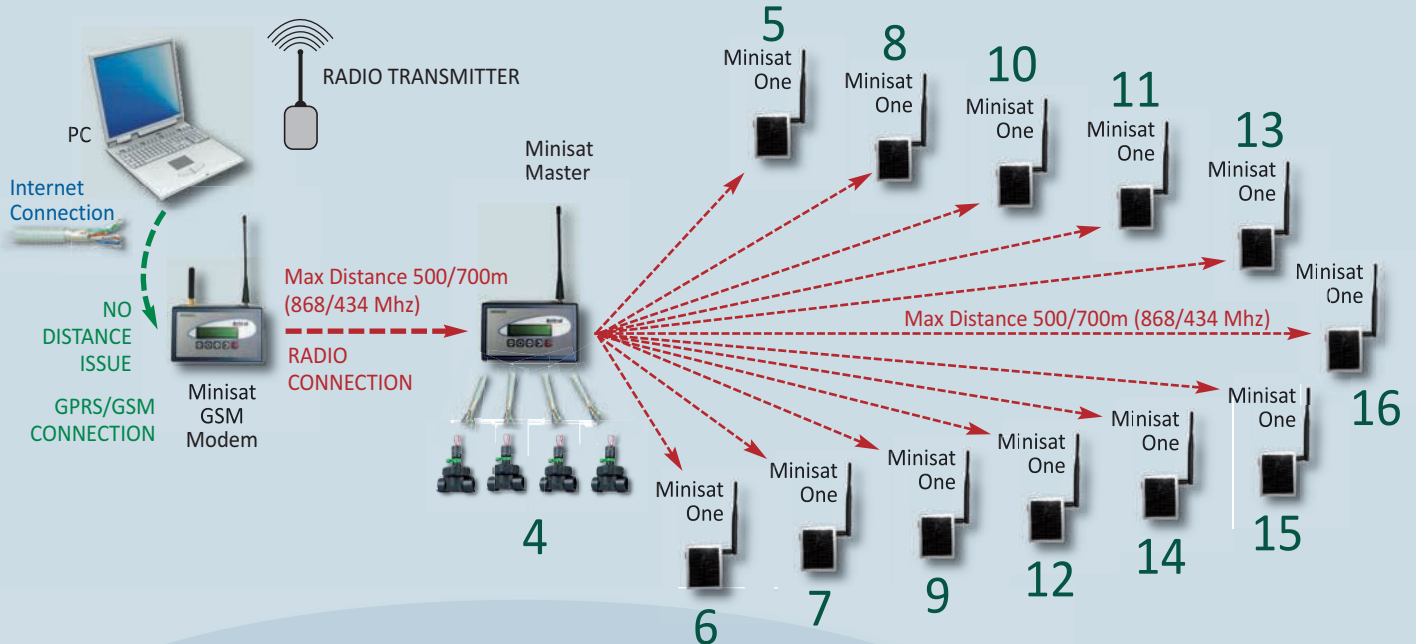
## Codification

Code	Description
<b>IT-MINISAT-220-434</b>	Minisat controller 4 st. - Radio frequency 434 Mhz - Input 230VAC / Output 9-12 VDC
<b>IT-MINISAT-220-868</b>	Minisat controller 4 st. - Radio frequency 868 Mhz - Input 230VAC / Output 9-12 VDC
<b>IT-MINISAT434</b>	Minisat controller 4 st. IP68 (9-12VDC) - Radio frequency 434 Mhz - battery not included
<b>IT-MINISAT868</b>	Minisat controller 4 st. IP68 (9-12VDC) - Radio frequency 868 Mhz - battery not included
<b>IT-MINISAT-BAT</b>	Minisat GSM Meteo 4 st. with solar panel - Radio frequency 868 Mhz
<b>IT-MINISAT-SP-434</b>	Minisat controller 4st. With solar panel - Radio frequency 434 MHz (9-12 VDC)
<b>IT-MINISAT-SP-868</b>	Minisat controller 4st. With solar panel - Radio frequency 868 MHz (9-12 VDC)
<b>IT-MINISAT434-ACAC</b>	Minisat controller 16 st. AC- Radio frequency 434 Mhz - Input 230VAC / Output 24 VAC
<b>IT-MINISAT868-ACAC</b>	Minisat controller 16 st. AC- Radio frequency 868 Mhz - Input 230VAC / Output 24 VAC
<b>IT-MINISAT-TRSW434</b>	Minisat Software for PC with USB Radio Module 434 Mhz
<b>IT-MINISAT-TRSW868</b>	Minisat Software for PC with USB Radio Module 868 Mhz
<b>Wired Slave</b>	
<b>IT-MINISAT-SLAVE4</b>	Wired Slave 4 station for Minisat (9-12 VDC)
<b>IT-MINISAT-SLAVE8</b>	Wired Slave 8 station for Minisat (9-12 VDC)
<b>IT-MINIONE434-WP</b>	Minisat One - Wireless Slave 1 st. with battery included (IP68) for Minisat - Radio frequency 434 Mhz
<b>IT-MINIONE868-WP</b>	Minisat One - Wireless Slave 1 st. with battery included (IP68) for Minisat - Radio frequency 868 Mhz
<b>IT-MINIONE434-SP</b>	Minisat One - Wireless Slave 1 st. with solar panel (IP65) for Minisat - Radio frequency 434 Mhz
<b>IT-MINIONE868-SP</b>	Minisat One - Wireless Slave 1 st. with solar panel (IP65) for Minisat - Radio frequency 868 Mhz
<b>Minisat GSM Meteo</b>	
<b>IT-MINISAT220-G434</b>	Minisat GSM Meteo - Radio frequency 434 Mhz - Input 230VAC
<b>IT-MINISAT220-G868</b>	Minisat GSM Meteo - Radio frequency 868 Mhz - Input 230VAC
<b>IT-MINISAT434GACAC</b>	Minisat GSM Meteo + Minisat 16 st. AC - Radio frequency 434 Mhz - Input 230VAC / Output 24 VAC
<b>IT-MINISAT868GACAC</b>	Minisat GSM Meteo + Minisat 16 st. AC - Radio frequency 868 Mhz - Input 230VAC / Output 24 VAC
<b>IT-MINISAT-G434</b>	Rechargeable IP68 battery for Minisat - battery pack (8) x 1,2Volt (Ni-Mh 4000 mA)
<b>IT-MINISAT-G868</b>	Minisat GSM Meteo 4 st. with solar panel - Radio frequency 434 Mhz
<b>Sensors</b>	
<b>IT-MINISAT-GH</b>	Ground humidity sensor for Minisat
<b>IT-MINISAT-TEMP-AH</b>	Temperature and Air Humidity sensor for Minisat GSM Meteo
<b>IT-MINISAT-WIND</b>	Wind sensor for Minisat
<b>IT-MINISAT-PLUV</b>	Pluviometer for Minisat GSM Meteo





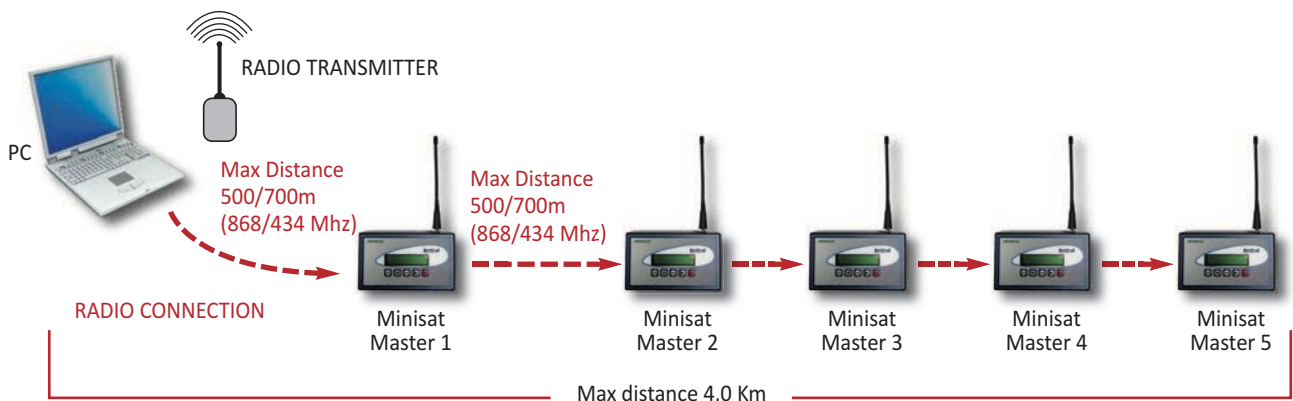
### 16 stations diagram with Minisat GSM modem and wireless slave (Minisat One)



**Material list:**

- 1 Minisat GSM Modem (IT-MINISAT220-G434 or IT-MINISAT220-G868)
- 1 Minisat controller 4 stations (IT-MINISAT-220-434 or IT-MINISAT-220-868)
- 12 Wireless slave 1 station (IT-MINIONE434-SP / IT-MINIONE868-SP or IT-MINIONE434-WP / IT-MINIONE868-WP)
- 1 Radio Transmitter with software for Pc (IT-MINISAT-TRSW434 or IT-MINISAT-TRSW868)

### Diagram to manage valves up to distance 4,0 km



**Minisat material list:**

- 5 Minisat controller 4 stations (IT-MINISAT220-434 or IT-MINISAT220-868)
- 1 Radio Transmitter with software for Pc (IT-MINISAT-TRSW434 or IT-MINISAT-TRSW868)

# Icod Plus



- Inputs 8, 16, 24, 32, 40, 48 depending on the modules installed (max 1 to 6 modules)
- Max 4 decoders per area or 3 valves per decoder
- Adaptable to all programmers (not to those with open circuit alarm)

Icod Plus, the Irritrol cod-decod system. Made up of a control unit (Icod Plus), that codifies the signals from the controller, retransmit them through two unpolarized wires, and a decoder that decodes the signal transmitted (by the control unit). There are three types of decoders: one for the solenoid valves, one for the main valve and another for the pump control. Thanks to the six keys on the panel and the alphanumerical display, the programming is quick and easy even for not professional installers.



## Features

- The decoders are identified by a six-figure code which is read automatically by the control unit
- Activation of the stations in manual mode, without the need for a control unit to give the command
- 4 different types of alarm which identify potential problems, such as open circuit, overload, short-circuit and a generic one
- Possibility to update the software and to modify the operating parameters (delay times between one decoder and another, EV maintenance voltage, alarms, etc.) through an RS232 socket for connection to PC.
- Possibility of changing the impedance to better adapt to the various electrical conditions of the system
- Extractable terminals to facilitate system wiring
- Multilingual system
- Resin-bonded decoder IP68 (up to 50 cm depth)
- PVC container for indoor/outdoor use (IP56), removable cover with 4 screws, for wall-mounting



## Specifications

### Input power:

- primary 230 VAC, 50/60Hz
- secondary A: 7 VAC, 400 mA

2-wire output power, 46 VDC, max 2 A

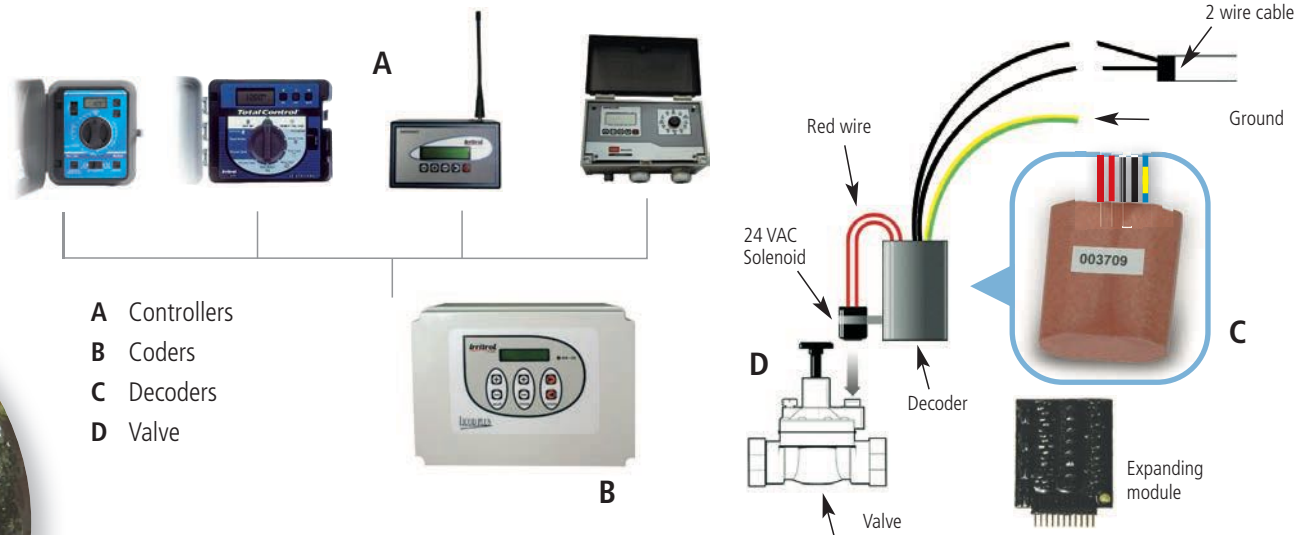
Input sensor power: N.F. switch

Output alarm power: N.C. or N.O. relay, 230VAC, 10 Amp

### Terminal boards:

- Inputs: (1,2,3,...,48) 1 mm
- Output: max 6 mm

Temperature: from -5° to +50° C



- A Controllers
- B Coders
- C Decoders
- D Valve

### Maximum cable lengths

Cable section FG7 (mm <sup>2</sup> )	Specific resistance (Ohm/km)	Number of valve decoder connected to only solenoid activated simultaneously			
		1	2	3	4
1,0	17,70	3.700 m	2.300 m	1.700 m	1.300 m
1,5	12,20	5.500 m	3.500 m	2.600 m	1.800 m
2,5	7,35	9.300 m	5.800 m	4.400 m	3.400 m
4,0	4,60	14.900 m	9.400 m	7.000 m	5.500 m
6,0	3,06	22.300 m	14.100 m	10.500 m	8.300 m

## Codification

Code	Description
<b>IT-ICODPLUS</b>	16-station Icod coder (expandable to 48)
<b>IT-IDECODM</b>	Main valve decoder (MV)
<b>IT-IDECODP</b>	Decoder for pump control
<b>IT-IDECODPLUS</b>	Field decoder for IP68 valve
<b>IT-IDECODPLUS-L</b>	Field decoder for latching solenoid valve
<b>IT-IDECODPLUS-2</b>	Multiple field decoder for 2 valves
<b>IT-IDECODPLUS-4</b>	Multiple field decoder for 4 valves
<b>IT-IDECODPLUS-6</b>	Multiple field decoder for 6 valves
<b>IT-ICODEXP8PLUS</b>	Internal 8-station expansion module with pre-wired terminal

# Remote Control Kit



- Up to 300 m range LOS (line-of-sight)
- 9-volt battery powers the handheld
- The controller powers the remote receiver
- Address code "0000 through 9999"
- Provides individual station (zone) ON and OFF command
- Set maximum station count to match controller
- "Start Program A, B, or C" capability on some controllers

The remote provides the installer, or maintenance personnel, the convenience and cost savings of one-person remote access. Use for system checks, troubleshooting, and supplemental watering as needed. An easily accessible mini-USB port on the handheld transmitter allows a computer connection for future upgrades or new product applications so there is no need to purchase a new remote as new features or controllers are added.



## Features

- Labor savings: Makes system testing and maintenance a one person job
- Cost savings: Programmable upgrades to the handheld without buying a new remote
- "9999" selectable pin codes: Individual PIN addresses reduce "cross talk" and unauthorized activity
- Compatible with 4 series of Irritrol controllers: the mini-receiver connects to the standard remote ports on 35 models
- Works with the Irritrol climate logic® weather sensing system: allows remote access through CLIMATE LOGIC
- Range up to 300 m (Line-Of-Sight): Adequate for large residential and small to medium commercial irrigation systems
- **Compatible with controllers:**
  - Kwik Dial
  - Rain Dial
  - Total Control
  - MC-E

## Codification

Code	Description
R-100-KITEU	Remote control kit, mini receiver and adapter cable









## Comparison table

### Comparison table

	Pages n°	Height (cm)	Thickness (cm)	Length (cm)	Operating pressure (bar)	Flow range (m <sup>3</sup> /h)	Globe Config.	Globe/Angle Config.	Flow control	OmniReg	NPT	Small Gardens	Medium Gardens	Big Gardens
<b>E-Pic F 3/4"- 1"</b>	34	12,7	5,9	11,2	0,5-10,0	1,2-7,2	√		Option			●		
<b>Euro M 3/4"</b>	36	12,8	9,5	14,0	0,5-12,0	1,2-9,6	√		Option			●		
<b>Euro M 1"</b>	36	13,5	9,5	14,0	0,5-12,0	1,2-9,6	√		Option			●		
<b>Euro M 1 1/4"</b>	36	14,5	9,5	14,5	0,5-12,0	1,2-9,6	√		Option			●		
<b>Euro F 3/4"</b>	36	13,0	9,5	12,0	0,5-12,0	1,2-7,2	√		Option			●		
<b>Euro F 1"</b>	36	13,0	9,5	12,0	0,5-12,0	1,2-9,6	√		Option			●		
<b>Serie S 1 1/2"</b>	40	16,0	10,0	15,0	0,7-10,0	4,8-18,0	√		Option	√			●	
<b>Serie S 2"</b>	40	18,0	11,5	18,0	0,7-10,0	6,0-36,0	√		Option	√				●
<b>2400 1"</b>	42	13,0	7,6	10,0	0,7-10,0	0,06-7,2	√		Option		√	●		
<b>2500 3/4" e 1"</b>	44	13,0	7,0	12,7	0,7-10,0	0,06-7,2	√		Option		√	●		
<b>200 B 1 1/2"</b>	46	20,3	10,6	13,6	1,4-10,0	4,8-18,0		√	Standard	√	√		●	
<b>200 B 2"</b>	46	23,0	12,0	15,8	1,4-10,0	6,0-36,0		√	Standard	√	√			●
<b>Century Plus 1"</b>	48	17,1	9,2	12,1	0,7-15,0	1,1-12,0		√	Standard	√	√	●		
<b>Century Plus 1-1/2"</b>	48	18,4	9,2	12,1	0,7-15,0	7,2-24,0		√	Standard	√	√		●	
<b>Century Plus 2"</b>	48	24,1	15,5	19,7	0,7-15,0	18,0-33,0		√	Standard	√	√			●
<b>Century Plus 3"</b>	48	27,3	15,5	20,9	0,7-15,0	36,0-68,1		√	Standard	√	√			●
<b>700 UltraFlow 3/4"</b>	50	11,5	4,8	8,6	0,7-10,0	0,02-7,2	√		-	√	√	●		
<b>700 UltraFlow 1"</b>	50	11,5	7,6	11,6	0,7-10,0	0,02-10,8	√		Standard	√	√	●		
<b>700 UltraFlow 1 1/2"</b>	50	14,0	11,1	15,8	0,7-10,0	3,6-30,0	√		Standard	√	√		●	
<b>700 UltraFlow 2"</b>	50	17,8	14,0	20,3	0,7-10,0	6,0-42,0	√		Standard	√	√			●

# E-pic



Female thread  $\frac{3}{4}$ ", 1", 1  $\frac{1}{4}$ "

Globe configuration

Body and bonnet in Nylon reinforced with fiberglass (30%)

## Features

- Internal manual bleed
- Optional flow control
- Slow, anti-water hammer closing
- Double beaded diaphragm in thermoplastic rubber

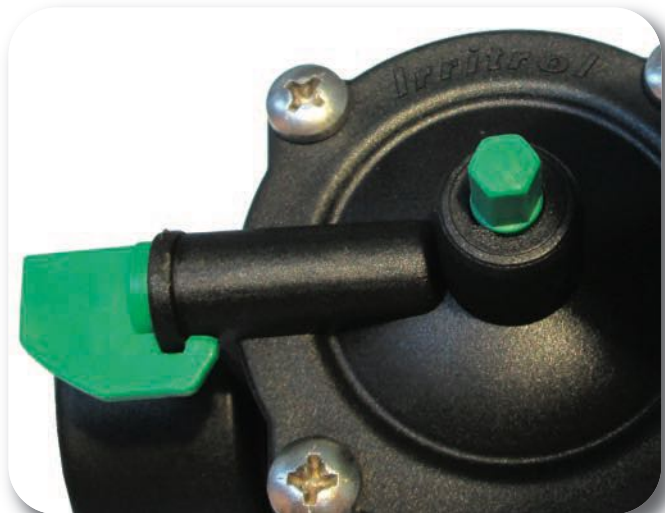
## Additional Features

- Fast lid removing with 4 screws
- Flow Control with 6mm hexagonal system
- Inspectable spiral removable from the outside
- Flow rate of 80,0 l/min for 0,5 bar head losses

## Specifications

- Flow range: 1,2-7,2 m<sup>3</sup>/h (20-120 l/min)
- Operating pressure: 0,5-10,0 bar
- Solenoid 24VAC – 50Hz
  - Inrush current 0,34 A
  - Holding current 0,20 A

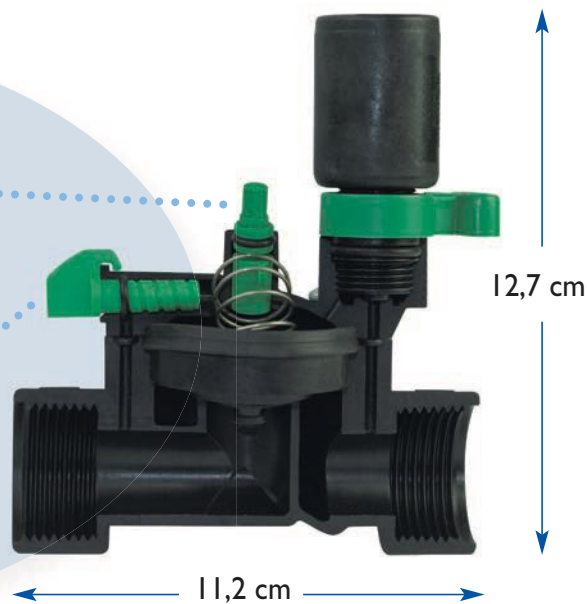
**E**pic is the new Irritrol valve specially designed for small residential irrigation systems. In fact, the guaranteed low flow rates, its small size and extremely easy maintenance make it the best choice for these applications.





Easy and fast flow control thanks to the hexagonal head of the pin

Easy to clean inside thanks to the removable spiral



Compact design



Pressure Loss (bar)\*

m <sup>3</sup> /h	1,2	2,4	3,6	4,8	6,0	7,2
l/min	20	40	60	80	100	120
3/4"	0,16	0,26	0,41	0,62	0,88	-
1"	0,16	0,26	0,41	0,60	0,86	1,12

## Codification

Code	Description
<b>EU-EPIC-0.75-C</b>	Valve E-pic 3/4" female, Flow Control
<b>EU-EPIC-0.75-S</b>	Valve E-pic 3/4" female, without Flow Control
<b>EU-EPIC-1-C</b>	Valve E-pic 1" female, Flow Control
<b>EU-EPIC-1-S</b>	Valve E-pic 1" female, without Flow Control

\* The valve can also be used for systems with flow rates starting from 20 l/h

# Euro F and M Series



Male and female thread 3/4", 1", 1 1/4"

Globe configuration

Body and bonnet in Nylon reinforced with fiberglass (30%)

The F and M series is a complete range valves that are very easy to install and use. A historical range for Irritrol who has always guaranteed high performance and reliability.

## Features

- Internal manual bleed
- Optional flow control
- Slow, anti-water hammer closing
- Double beaded diaphragm in thermoplastic rubber
- Captive Solenoid (the plunger is retained in the solenoid)
- Closing with screws

## Specifications

- Flow range: 1,2 – 9,6 m<sup>3</sup>/h (20 – 160 l/min)
- Operating pressure: 0,5 – 12,0 bar
- Solenoid 24VAC – 50Hz
  - Inrush current 0,34 A
  - Holding current 0,20 A

## Options

- DCL latching solenoid for EURO F model

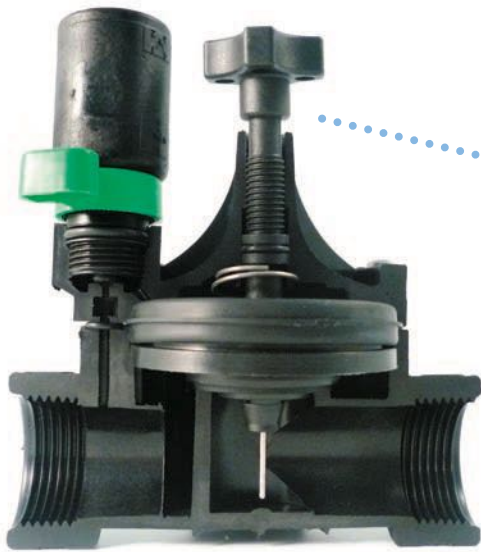


### EURO F SERIES Pressure Loss (bar)

m <sup>3</sup> /h	1,2	2,4	3,6	4,8	6,0	7,2	8,4	9,6
l/min	20	40	60	80	100	120	140	160
3/4"	0,28	0,33	0,30	0,27	0,36	0,50	-	-
1"	0,28	0,33	0,30	0,27	0,36	0,50	0,68	0,89

### EURO M SERIES Pressure Loss (bar)

m <sup>3</sup> /h	1,2	2,4	3,6	4,8	6,0	7,2	8,4	9,6
l/min	20	40	60	80	100	120	140	160
3/4"	0,25	0,19	0,17	0,29	0,44	0,63	0,86	1,12
1"	0,28	0,33	0,30	0,27	0,36	0,50	0,68	0,89
1 1/4"	0,28	0,32	0,27	0,23	0,35	0,50	0,67	0,88



Easy and fast flow control thanks to the removable handle

## Codification

### EURO F

Codice	Description
EU-VHE020033-I	Valve Euro F, ¾" female, without Flow Control
EU-VHE020003-I	Valve Euro F, ¾" female, Flow Control
EU-VHE025033-I	Valve Euro F, 1" female, without Flow Control
EU-VHE025003-I	Valve Euro F, 1" female, Flow Control
EU-VHE025003-I-DCL	Valve Euro F, 1" female, Flow Control, DCL latching solenoid
EU-VHE020033-4	Valve Euro-F, ¾" female, without Flow Control, without solenoid
EU-VHE020003-4	Valve Euro-F, ¾" female, Flow Control without solenoid
EU-VHE025033-4	Valve Euro-F, 1" female, without Flow Control, without solenoid
EU-VHE025003-4	Valve Euro-F, 1" female, Flow Control, without solenoid

### EURO M

Codice	Description
EU-VHE020133-I	Valve Euro M, ¾" male, without Flow Control
EU-VHE020103-I	Valve Euro M, ¾" male, Flow Control
EU-VHE025133-I	Valve Euro M, 1" male, without Flow Control
EU-VHE025103-I	Valve Euro M, 1" male, Flow Control
EU-VHE032133-I	Valve Euro M, 1¼" male, without Flow Control
EU-VHE032103-I	Valve Euro M, 1¼" male, Flow Control



# S Series\*



- Female thread 1 1/2", 2"
- Globe configuration
- Body and bonnet in Nylon reinforced with fiberglass (30%)

## Features

- Internal manual bleed
- Flow control
- Slow, anti-water hammer closing
- Double beaded Santoprene diaphragm
- Captive Solenoid (the plunger is retained in the solenoid)

## Additional Features

- Labyrinth that allows slow and fast valve closure
- Easily inspectable internal filter
- Removable flow regulator

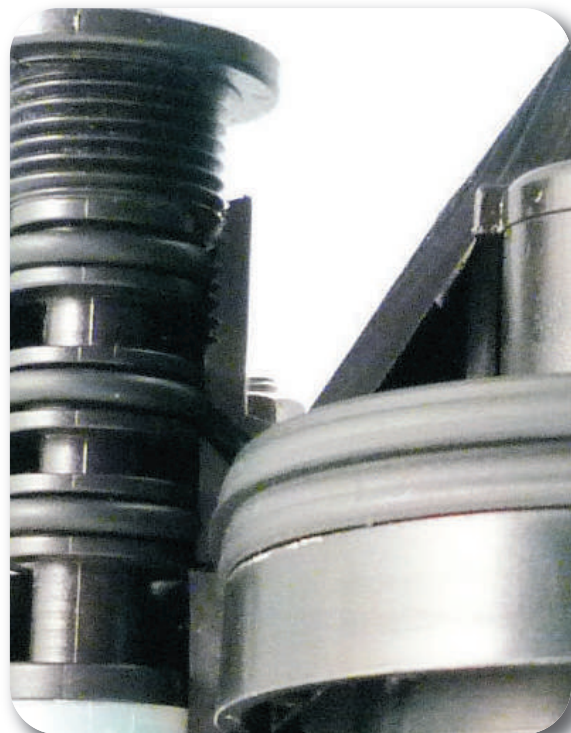
## Specifications

- Flow Range: 4,8-36,0 m<sup>3</sup>/h (80-600 l/min)
- Operating pressure: 0,7 – 10,0 bar
- Solenoid 24VAC – 50Hz (24VAC – 60Hz on request)
  - Inrush current 0,34 A
  - Holding current 0,20 A

## Options

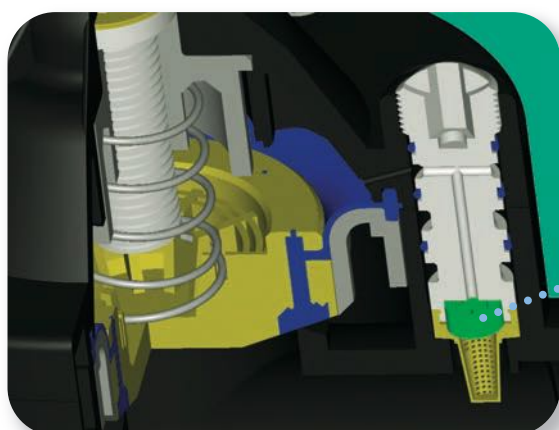
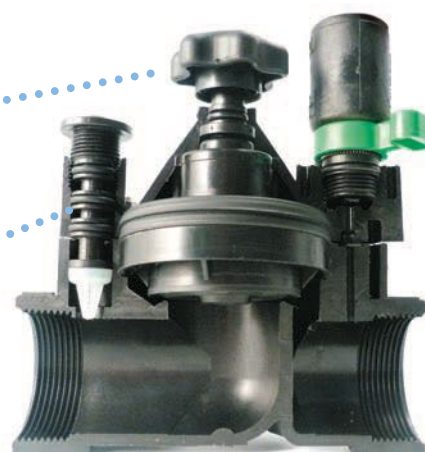
- Accepts Irritrol Ominireg pressure regulator

La serie S è la speciale linea di valvole Irritrol dotate di un sistema brevettato per una chiusura lenta o veloce. Inoltre, la manutenzione è resa semplice dalla posizione del filtro nella parte alta della valvola che lo rende facilmente ispezionabile senza bisogno di smontarla.



Easy and fast flow control thanks to the handle

Labyrinth that ensures slow closure against



Labyrinth that ensures slow closure against water hammering

### Pressure Loss (bar)

<b>m<sup>3</sup>/h</b>	4,8	6,0	7,2	8,4	9,6	10,8	12,0	15,0	18,0	21,0	24,0	27,0	30,0	33,0	36,0
<b>l/min</b>	80	100	120	140	160	180	200	250	300	350	400	450	500	550	600
<b>1 ½"</b>	0,21	0,19	0,18	0,16	0,16	0,19	0,23	0,32	0,38	-	-	-	-	-	-
<b>2"</b>	-	0,14	0,13	0,12	0,12	0,11	0,11	0,13	0,20	0,29	0,36	0,43	0,51	0,62	0,74

## Codifications

Codice	Description
<b>EU-VIS040</b>	Valve S Series 1 ½" female, with flow control
<b>EU-VIS050</b>	Valve S Series 2" female, with flow control

# 2400 Series



- Male and female thread 1"
- Globe configuration
- Body in PVC, bonnet and collar in polypropylene reinforced with fiberglass (30%)

## Features

- Internal/External manual bleed
- Option flow control
- Slow, anti-water hammer closing
- Double beaded Santoprene diaphragm
- Captive Solenoid (the plunger is retained in the solenoid)

## Specifications

- Flow range: 0,06 – 7,2 m<sup>3</sup>/h (1-120 l/min)
- Operating pressure: 0,7-10,0 bar
- Solenoid 24VAC – 50Hz (24VAC – 60Hz on request):
  - Inrush current 0,34 A
  - Holding current 0,20 A

## Options

- The 2400 series valve can be fitted directly on the Junior DC 1-station battery-powered controller
- DCL latching solenoid

The 2400 series valves are the right answer to the needs for ease and convenience of installation thanks to the in-line configuration and the ring nut closure.

Intended for use in small systems, they are characterised by a PVC body and a double rib diaphragm that make them some of the most durable valves and resistant to UV rays and water leaks.



Pressure loss (bar)

<b>m<sup>3</sup>/h</b>	0,06	0,45	1,2	2,4	3,6	4,8	6,0	7,2
<b>l/min</b>	1	8	20	40	60	80	100	120
<b>1"</b>	0,34	0,31	0,24	0,28	0,21	0,23	0,34	0,45





For easier maintenance, the threaded ring nut allows removing the cover from the top without having to remove the solenoid

The internal components can be replaced in just a few minutes

The double beaded diaphragm ensures protection against leaks



## Codification

Code	Description
<b>2400MT</b>	Valve 2400 1" female, without Flow Control
<b>2400MTF</b>	Valve 2400 1" female, Flow Control
<b>2400MT-DCL</b>	Valve 2400 1" female, without Flow Control, with DCL latching solenoid
<b>2400MT-M</b>	Valve 2400 1" male, without Flow Control
<b>2400MTF-M</b>	Valve 2400 1" male, Flow Control

# 2500 Series



- Female thread ¾", 1"
- Globe configuration
- Body in PVC

**T**he 2500 series valves are ideal for small- and medium-sized systems.

The double rib diaphragm ensures high performance without water leaks for long periods of time even in the presence of debris.

## Features

- Internal/External manual bleed
- Option flow control
- Slow, anti-water hammer closing
- Double beaded Santoprene diaphragm
- Captive Solenoid (the plunger is retained in the solenoid)

## Pressure Loss (bar)

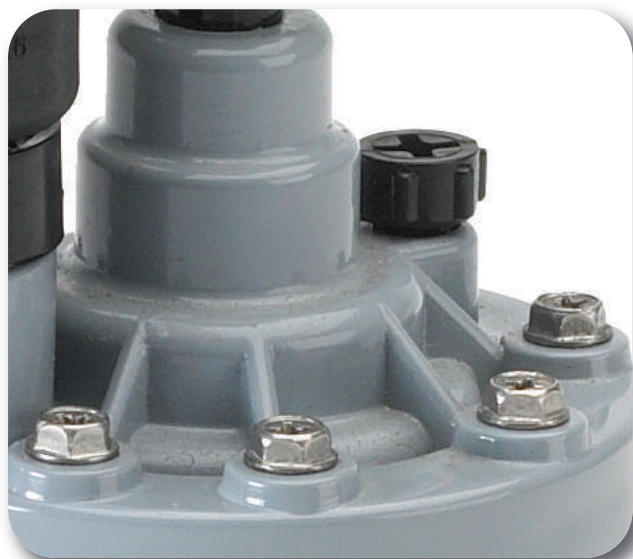
<b>m<sup>3</sup>/h</b>	0,06	0,45	1,2	2,4	3,6	4,8	6,0	7,2
<b>l/min</b>	1	8	20	40	60	80	100	120
<b>¾"</b>	0,19	0,23	0,26	0,29	0,18	0,29	0,30	0,60
<b>1"</b>	0,37	0,27	0,20	0,16	0,14	0,23	0,37	0,52

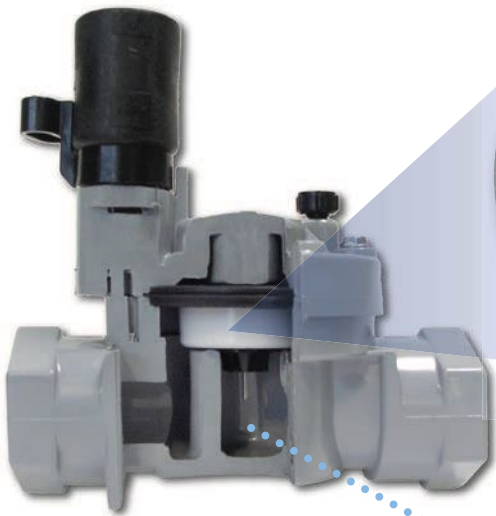
## Specifications

- Flow range: 0,06 – 7,2 m<sup>3</sup>/h  
(1 – 120 l/min)
- Operating pressure: 0,7 – 10,0 bar
- Solenoid 24VAC – 50Hz  
(24VAC – 60Hz on request)
  - Inrush current 0,34 A
  - Holding current 0,20 A

## Options

- DCL latching solenoid





Guaranteed high tolerance to debris without water leaks



## Codification

Code	Description
<b>2507T-50H</b>	Valve 2500 ¾" female, without Flow Control
<b>2507TF-50H</b>	Valve 2500 ¾" female, Flow Control
<b>2500MT</b>	Valve 2500 1" female, without Flow Control
<b>2500MTF</b>	Valve 2500 1" female, Flow Control



# 200B Series



- Female thread 1 1/2", 2"
- Globe/Angle configuration
- Body and bonnet in PVC

## Features

- Internal and external manual bleed
- Flow control
- Slow, anti-water hammer closing
- Synthetic rubber diaphragm reinforced with double rib
- Captive Solenoid (the plunger is retained in the solenoid)
- O-Ring gasket on unused inlet cap guarantees hermetic seal and does not require Teflon

## Specifications

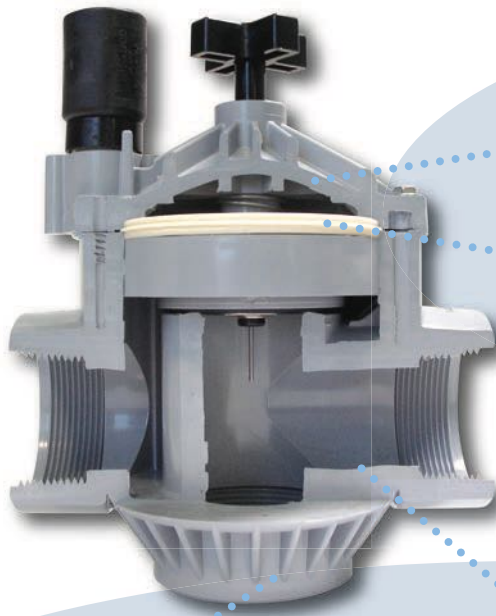
- Flow Range: 4,8-36,0 m<sup>3</sup>/h (80-600 l/min)
- Operating pressure: 1,4 – 10,0 bar
- Solenoid 24VAC – 50Hz
  - Inrush current 0,34 A
  - Holding current 0,20 A

## Options

- Accepts Irritrol Ominireg pressure regulator

**T**hanks to the PVC body and cover, the 200B series offers valves resistant to UV rays and even to corrosion being equipped with stainless steel screws. Both the base and the top of the structure are reinforced making this range among the most resistant in the market.





The ribs in the cover contribute to reinforcing the valve structure

The diaphragm reinforced with double rib ensures protection against leaks

The cap to close the water inlet from the bottom and the O-Ring allow installing the valve in a straight line and at an angle

The thicker PVC edge makes the valve even more durable over time

## Pressure Loss (bar)

m <sup>3</sup> /h	4,8	6,0	7,2	8,4	9,6	10,8	12,0	15,0	18,0	21,0	24,0	27,0	30,0	33,0	36,0
l/min	80	100	120	140	160	180	200	250	300	350	400	450	500	550	600
<b>1 ½" globe</b>	0,20	0,19	0,18	0,16	0,16	0,19	0,23	0,32	0,38	-	-	-	-	-	-
<b>1 ½" angle</b>	0,19	0,17	0,15	0,14	0,15	0,15	0,21	0,25	0,30	-	-	-	-	-	-
<b>2" globe</b>	-	0,14	0,13	0,12	0,12	0,11	0,11	0,13	0,20	0,3	0,36	0,43	0,51	0,62	0,74
<b>2" angle</b>	-	0,14	0,13	0,12	0,12	0,11	0,11	0,12	0,15	0,19	0,25	0,33	0,61	0,61	0,61

## Codification

Code	Description
<b>216B-M</b>	Valve 200B 1½" female, Flow Control,
<b>216-M-LS</b>	Valve 200B 1½" female, Flow Control, without solenoid
<b>217B-M</b>	Valve 200B 2" female, Flow Control
<b>217B-M-LS</b>	Valve 200B 2" female, Flow Control, without solenoid

# Century Plus Series



- Female thread 1", 1 1/2", 2" e 3"
- Globe/Angle configuration
- Body and bonnet in Nylon reinforced with fiberglass (30%)

## Additional

- Internal and external manual bleed
- Flow control
- Slow, anti-water hammer closing
- Rubber diaphragm reinforced with double rib
- Captive Solenoid (the plunger is retained in the solenoid)
- O-Ring gasket on unused inlet cap guarantees hermetic seal and does not require Teflon

## Additional Features

- Fastening of the top of the body by means of nuts and threaded pins incorporated in the mould
- Self-cleaning control orifices
- Brass flow control stem (mod 2" and 3")

## Specifications

- Flow Range: 1,1-68,1 m<sup>3</sup>/h (18-1135 l/min)
- Operating pressure: 0,7 – 15,0 bar
- Solenoid 24VAC – 50Hz
  - Inrush current 0,34 A
  - Holding current 0,20 A

## Options

- Accepts Irritrol Ominireg pressure regulator

**T**he Century Plus series comprises valves of excellent quality intended for use in both medium- and large-sized systems. Highly pressure resistant, this range allows achieving high performance confirming it as one of the best on the market.



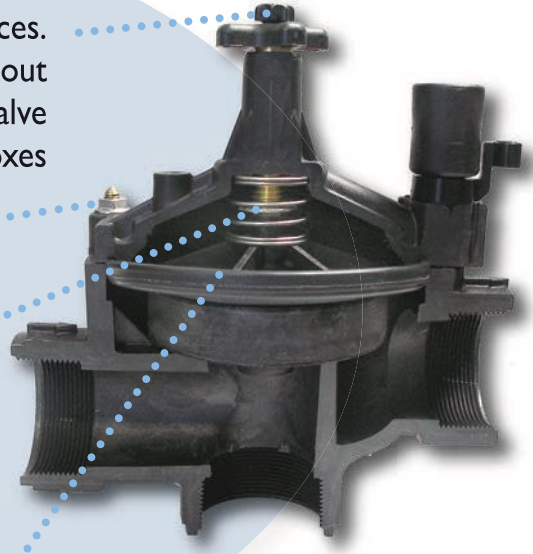


Self-cleaning control orifices.  
All the parts are easily accessible without  
having to remove the valve from the valve  
boxes

Self-cleaning control orifices.  
All the parts are easily accessible without

The steel spring and the reinforced  
membrane ensure valve strength even in  
difficult conditions

The rubber diaphragm reinforced  
with double rib ensures protection  
against leaks



## Pressure Loss (bar)

m <sup>3</sup> /h	1,1	1,2	2,4	3,6	4,5	6,0	7,2	8,4	9,6	10,8	12,0	15,0	18,0	21,0	24,0	27,0	30,0	33,0	36,0	39,0	42,0	45,0	48,0	51,0	54,0	57,0	60,0	63,0	68,1
l/min	18	20	40	60	76	100	120	140	160	180	200	250	300	350	400	450	500	550	600	650	700	750	800	850	900	950	1000	1050	1135
1" globe	0,43	0,32	0,29	0,24	0,22	0,25	0,32	0,43	0,55	0,69	0,83	-	-	-	-	-	-	-	-	-	-	-	-	-	-	-	-	-	-
1" angle	0,43	0,32	0,29	0,24	0,21	0,19	0,22	0,30	0,39	0,49	0,61	-	-	-	-	-	-	-	-	-	-	-	-	-	-	-	-	-	-
1 1/2" globe	-	-	-	-	-	-	0,12	0,14	0,18	0,22	0,28	0,43	0,62	0,9	1,11	-	-	-	-	-	-	-	-	-	-	-	-	-	-
1 1/2" angle	-	-	-	-	-	-	0,09	0,10	0,12	0,17	0,22	0,34	0,48	0,65	0,84	-	-	-	-	-	-	-	-	-	-	-	-	-	-
2" globe	-	-	-	-	-	-	-	-	-	-	-	-	0,14	0,20	0,25	0,32	0,40	0,48	-	-	-	-	-	-	-	-	-	-	-
2" angle	-	-	-	-	-	-	-	-	-	-	-	-	0,08	0,12	0,15	0,19	0,24	0,29	-	-	-	-	-	-	-	-	-	-	-
3" globe	-	-	-	-	-	-	-	-	-	-	-	-	-	-	-	-	-	-	0,18	0,20	0,23	0,28	0,32	0,36	0,41	0,47	0,52	0,58	0,7
3" angle	-	-	-	-	-	-	-	-	-	-	-	-	-	-	-	-	-	-	0,14	0,16	0,19	0,22	0,26	0,30	0,34	0,38	0,43	0,49	0,58

## Codification

Code	Description
<b>I00P1-BSP</b>	Valve Century Plus, 1" female, Flow Control
<b>I00P1.5-BSP</b>	Valve Century Plus, 1 1/2" female, Flow Control
<b>I00P2-BSP</b>	Valve Century Plus, 2" female, Flow Control
<b>I00P3-BSP</b>	Valve Century Plus, 3" female, Flow Control
<b>I00P1-LS-BSP</b>	Valve Century Plus, 1" female, Flow Control, without solenoid
<b>I00P1.5-LS-BSP</b>	Valve Century Plus, 1 1/2" female, Flow Control, without solenoid
<b>I00P2-LS-BSP</b>	Valve Century Plus, 2" female, Flow Control, without solenoid
<b>I00P3-LS-BSP</b>	Valve Century Plus, 3" female, Flow Control, without solenoid

# 700 Ultraflow Series



- Female thread ¾", 1", 1 ½", 2"
- Globe configuration
- Body and bonnet in Nylon reinforced with fiberglass (30%)

## Features

- Internal manual bleed
- Flow control (excluding ¾" model)
- Slow, anti-water hammer closing
- Buna-N diaphragm
- Captive Solenoid (the plunger is retained in the solenoid)

## Additional Features

- Internal filter in stainless steel 150 Mesh (excluding ¾" model)
- Unique straight-through flow path for low pressure loss
- Brass shaft and stainless steel travel stop plate for membrane protection

## Specifications

- Flow Range: 0,02 – 42,0 m<sup>3</sup>/h (0,3 – 700 l/min)
- Operating pressure: 0,7 – 10,0 bar
- Solenoid 24VAC – 50Hz
  - Inrush current 0,34 A
  - Holding current 0,20 A

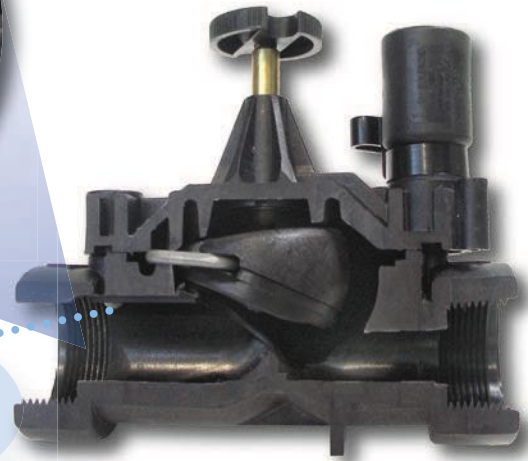
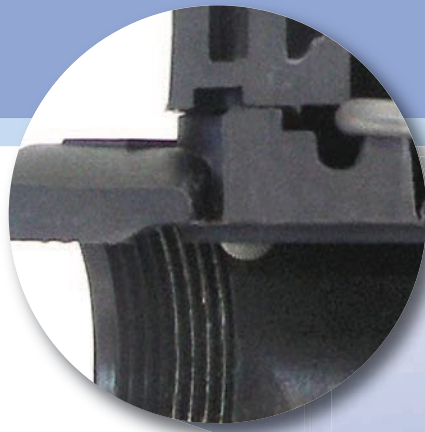
## Options

- Accepts OmniReg pressure regulator

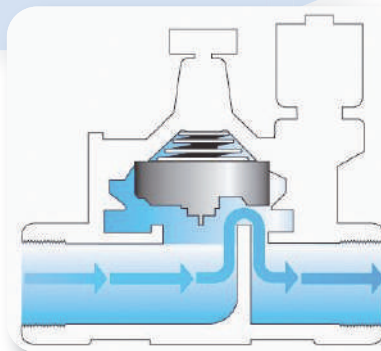
**T**he 700 Ultraflow series offers the right solution when working with very dirty water even in large systems; in fact, the stainless steel filter ensures regular valve functioning even in the presence of debris. In addition, the water runs through the valves on a straight path without curves thus ensuring considerable reduction in pressure drops.



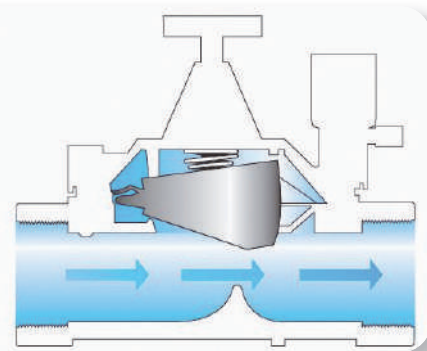
# 700 Ultraflow Series



Water cleanliness is ensured by the internal 150-mesh stainless steel filter



Standard flow path



The UltraFlow Series straight-through flow path

## Pressure Loss (bar)

<b>m<sup>3</sup>/h</b>	0,02	0,45	1,2	2,4	3,6	4,8	6,0	7,2	8,4	9,6	10,8	12,0	15,0	18,0	21,0	24,0	27,0	30,0	33,0	36,0	39,0	42,0
<b>l/min</b>	0,3	8	20	40	60	80	100	120	140	160	180	200	250	300	350	400	450	500	550	600	650	700
<b>¾"</b>	0,02	0,02	0,06	0,09	0,15	0,25	0,37	0,51	-	-	-	-	-	-	-	-	-	-	-	-	-	-
<b>1"</b>	0,15	0,11	0,12	0,13	0,16	0,17	0,19	0,24	0,32	0,43	0,54	-	-	-	-	-	-	-	-	-	-	-
<b>1 ½"</b>	-	-	-	-	0,02	0,03	0,04	0,05	0,07	0,08	0,10	0,11	0,18	0,26	0,36	0,47	0,59	0,73	-	-	-	-
<b>2"</b>	-	-	-	-	-	-	0,04	0,05	0,05	0,06	0,07	0,07	0,10	0,14	0,16	0,23	0,27	0,32	0,38	0,44	0,51	0,60

## Codification

Code	Description
<b>700B-.75-50H</b>	Valve 700 Ultraflow ¾" female, without Flow Control
<b>700-I-BSP</b>	Valve 700 Ultraflow 1" female, Flow Control
<b>700-I.5-BSP</b>	Valve 700 Ultraflow 1 1/2" female, Flow Control
<b>700-2-BSP</b>	Valve 700 Ultraflow 2" female, Flow Control
<b>700-.75-LS</b>	Valve 700 Ultraflow ¾" female, without Flow Control, without solenoid
<b>700-I-BSP-LS</b>	Valve 700 Ultraflow 1" female, Flow Control, without solenoid
<b>700-I.5-BSP-LS</b>	Valve 700 Ultraflow 1 1/2" female, Flow Control, without solenoid
<b>700-2-BSP-LS</b>	Valve 700 Ultraflow 2" female, Flow Control, without solenoid

VALVES



# Omnireg



Adaptable to Irritrol valve: 200 Series, Century Plus, 700 Ultraflow Series and S-Series

Vertical installation

Body in Nylon reinforced with fiberglass, metal components made of steel and brass

## Features

- Vertical installation in the solenoid cavity, using the two screws provided\*
- No need for gauge because the central selector indicates the outlet pressure both in Bars and Psi
- The desired pressure can be adjusted when the system is shutdown or in operation
- Maintains a constant downstream pressure for a higher precision in low pressure conditions
- Eliminates the need to keep double valve stocks
- Accuracy of  $\pm 0,2$  bar

\*The solenoid is fitted in the side cavity provided in the OmniReg

## Specifications

- Flow Range: 3,8 – 1136 l/min
- Inlet pressure: up to 13,8 bar
- Outlet pressure regulated:
  - OMR-30 model: from 0,35 to 2,1 bar
  - OMR-100 model: from 0,35 to 6,9 bar
- Inlet pressure has to be at least 0,7 bar higher than the desired outlet pressure
- To reduce the risk of water hammer, the flow rate must not exceed 2,3 m/sec

## Options

- "Schrader" coupling to enable pressure controls

The Omnireg pressure regulator is a very useful accessory when you need to maintain the pressure downstream of the system constant. It does not require the use of a pressure gauge and its "visible" vertical position on the valve makes it easy to install and also allows easy adjustment and considerable space saving.



Simply turn the dial to the desired pressure

## Codification

Code	Description
OMR-30	Omnireg Pressure regulator (up to 2,1 bar)
OMR-100	Omnireg Pressure regulator (up to 6,9 bar)
OMR-DS	Downstream sensing kit









# Sprayheads and Nozzles

## Comparison Table

### Sprayheads

	SL SERIES	I-PRO SERIES
Pages n°	56	58
Body Height	2",4",6"	3",4",6",12"
Inlet	1/2" Female	1/2" Female
Operating pressure (bar)	1,5-3,0	1,5-3,5
Check valve option	●	●
Pressure regulator option		●
Recycled-water indicator option		●
Pre-installed nozzles option	●	●

### Nozzles

	ROTARY NOZZLES	I-PRO NOZZLES	PRO-VAN NOZZLES	SPECIAL NOZZLES
Pages n°	60	62	64	66
Arc	adjustable	fixed	adjustable	fixed
Radius (m)	4,3-8,0	1,2-4,9	2,1-5,1	3,9-14,7
Flow Range (l/min)	0,68-15,82	0,19-17,33	1,7-16,0	1,6-5,1
Operating pressure (bar)	1,7-5,2	1,5-3,5	1,0-2,0	1,4-2,7

# SL Series



2", 4", 6" models

½" female threaded

Compatible nozzles: I-Pro, Pro-Van, Rotary Nozzles, Special nozzles

**T**he SL series is a family of sprayheads with a compact design that guarantees flexibility, reliability and good value for money. It is ideal for small and medium-sized systems and is adaptable to both fixed and variable arc nozzles.

## Features

One-piece molded body adds durability

Pressure-activated seal reduces flow-by during pop up and keeps away from stem during retraction

Heavy-duty, stainless steel retract spring ensures positive pop down

Nozzles with matched precipitation rate

The arc can be adjusted even when the sprinkler is running

Available with pre-installed Pro-Van nozzles with radius: 10', 12', 15', 17'

## Additional Features

Removable nozzles, screen and internal components for flushing and servicing

Debris labels on models without nozzles for easy flushing

## Specifications

Exposed diameter: 3,18 cm

Recommended working pressure: 1,5-3,0 bar

Flushing:

- from 0 to 0,7 bar: 1,9 l/min
- above 0,7 bar: 0 l/min (flow range null)

Body height:

- SL200: 10,5 cm
- SL400: 15,5 cm
- SL600: 20,6 cm
- I-PRO1200-SI: 40,5 cm

## Options

Integrated check valve that prevents drainage and hence wasting water for a difference in height of up to 2,10 m





## Codification

### SL Series body only

Code	Description
<b>SLP200</b>	SL 2" Fixed Sprayhead – riser height 5 cm, without nozzles (body only)
<b>SLP400</b>	SL 4" Fixed Sprayhead – riser height 10 cm, without nozzles (body only)
<b>SLP600</b>	SL 6" Fixed Sprayhead – riser height 15 cm, without nozzles (body only)
<b>SL-CV</b>	SL Check Valve

### SL Series with Pro Van nozzle preassembled 10, Radius 2,7-3,0m, Trajectory 10°

Code	Description
<b>SLP210</b>	SL 2" Fixed Sprayhead – riser height 5 cm, with Pro Van nozzles 10°
<b>SLP410</b>	SL 4" Fixed Sprayhead – riser height 10 cm, with Pro Van nozzles 10°

### SL Series with Pro Van nozzle preassembled 12, Radius 3,0-3,7m, Trajectory 15°

Code	Description
<b>SLP212</b>	SL 2" Fixed Sprayhead – riser height 5 cm, with Pro Van nozzles 15°
<b>SLP412</b>	SL 4" Fixed Sprayhead – riser height 10 cm, with Pro Van nozzles 15°

### SL Series with Pro Van nozzle preassembled 15, Radius 4,1-4,6m, Trajectory 20°

Code	Description
<b>SLP215</b>	SL 2" Fixed Sprayhead – riser height 5 cm, with Pro Van nozzles 20°
<b>SLP415</b>	SL 4" Fixed Sprayhead – riser height 10 cm, with Pro Van nozzles 20°

### SL Series with Pro Van nozzle preassembled 17, Radius 4,3-5,1m Trajectory 26°

Code	Description
<b>SLP217</b>	SL 2" Fixed Sprayhead – riser height 5 cm, with Pro Van nozzles 26°
<b>SLP417</b>	SL 4" Fixed Sprayhead – riser height 10 cm, with Pro Van nozzles 26°



# I-PRO Series



3", 4", 6", 12" models

1/2" female threaded

Compatible nozzles: I-Pro, Pro-Van, Rotary Nozzles, Specials Nozzles



The I-PRO series sprinklers are suitable for most landscape configurations and are easy and fast to install thanks to their rough body and non-slip grip. With this range, Irritrol proposes sprayheads with superior efficiency, allowing time and money saving and at the same time meeting the needs of professional installers.

## Features

- Sturdy and robust, textured body for easy installation with a non-slip grip
- Pressure-activated seal with lubricant additive
- Stainless steel spring that ensures proper piston descent
- Nozzles with matched precipitation rate
- The arc can be adjusted even when the sprinkler is running

## Additional Features

- Pre-installed flush plug makes system flushing a breeze and allows easy nozzle installation
- Side and bottom inlets on 6" and 12" (6" also available in non-side inlet) reduces installation time

## Specifications

- Side inlet: 11 cm (from center of side inlet to top of cap)
- Exposed diameter: 5,6 cm
- Body diameter: 4 cm
- Recommended working pressure:
  - Standard model: 1,5-3,5 bar (max 5,0 bar)
  - Model with pre-installed check valve (CV): 1,7 - 3,4 bar (max 5,0 bar)
  - Model with pre-installed pressure regulator (PR): 2,0 - 4,8 bar (max 5,0 bar)
- Body height:
  - I-PRO300: 12,5 cm
  - I-PRO400: 14,6 cm
  - I-PRO600: 23,5 cm
  - I-PRO1200-SI: 40,5 cm

## Options

- Spare piston for the 4" coupling that also adapts to the Rain Bird sprinkler body of the 1800 series
- Pre-installed in-riser pressure regulator maintains optimum nozzle performance at 2,0 bar and eliminates misting in varying pressure applications
- Pre-installed check valve prevents low-head drainage, eliminating flood or erosion damage by keeping water in lateral pipes in elevation changes up to 3,3 mt
- Recycled-water indicator cap (I-PRO-NPC)

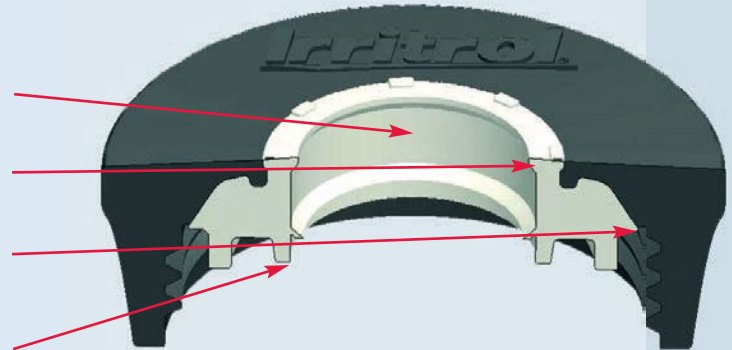
## Superior performing wiper seal

Additional lubricant additive further eliminates stick-ups

Tapered lip design prevents the intrusion of debris

Lip creates positive seal to prevent body to cap leaks

Pressure-activated lip seal ensures a positive seal around the riser and reduces "flow-by"



## Codification

Code	Description
<b>I-PRO300</b>	I-Pro 3" Sprayhead – riser height 7,5 cm
<b>I-PRO400</b>	I-Pro 4" Sprayhead – riser height 10 cm
<b>I-PRO400-CV</b>	I-Pro 4" Sprayhead – riser height 10 cm with check valve
<b>I-PRO400-PR</b>	I-Pro 4" Sprayhead – riser height 10 cm with pressure regulator
<b>I-PRO400-PR-CV</b>	I-Pro 4" Sprayhead – riser height 10 cm with check valve and pressure regulator
<b>I-PRO600</b>	I-Pro 6" Sprayhead – riser height 15cm
<b>I-PRO600-CV</b>	I-Pro 6" Sprayhead – riser height 15 cm with check valve
<b>I-PRO600-PR</b>	I-Pro 6" Sprayhead – riser height 15 cm with pressure regulator
<b>I-PRO600-PR-CV</b>	I-Pro 6" Sprayhead – riser height 15 cm with check valve and pressure regulator
<b>I-PRO600-SI</b>	I-Pro 6" Sprayhead – riser height 15 cm with side inlet
<b>I-PRO600-SI-PR</b>	I-Pro 6" Sprayhead – riser height 15 cm with side inlet and pressure regulator
<b>I-PRO1200-SI</b>	I-Pro 12" Sprayhead – riser height 30 cm
<b>I-PRO1200-SI-CV</b>	I-Pro 12" Sprayhead – riser height 30 cm with side inlet and check valve
<b>I-PRO1200-SI-PR</b>	I-Pro 12" Sprayhead – riser height 30 cm with side inlet and pressure regulator
<b>I-PRO1200-SI-PR-CV</b>	I-Pro 12" Sprayhead – riser height 30 cm with side inlet, check valve and pressure regulator

### I-PRO 400 Replacement kit

Code	Description
<b>I-PRO400R</b>	I-Pro 4" Retrofit - riser height 10 cm
<b>I-PRO400R-CV</b>	I-Pro 4" Retrofit - riser height 10 cm with check valve
<b>I-PRO400R-PR</b>	I-Pro 4" Retrofit - riser height 10 cm with pressure regulator
<b>I-PRO400R-PR-CV</b>	I-Pro 4" Retrofit - riser height 10 cm with check valve and pressure regulator

SPRAYHEADS

# Rotary Nozzles



2 Models: full circle (360°) and arc adjustable (45°-270°)

Female threaded compatible with any male-threaded riser

Matched precipitation rate of 14 mm/h

**T**he new Irritrol Rotary Nozzles created to manage your garden in efficient and balanced way. Thanks to an innovative internal mechanism the water is delivered in the best way to reduce runoff and wasted water.



## Features

- Gear driven system
- Consistent speed of rotation not affected by pressure
- Consistent uniformity
- Easy arc adjustment
- Pre-attached screen for easy installation
- Radius reduction up to 25%
- Color coded for easy radius identification

## Specifications

- Radius: 4,3-8,0 m
- Flow Range: 0,68-15,82 l/min
- Operating pressure: 1,7-5,2 bar

## Additional Features

- Maintains precipitation rate as radius is reduced
- Maximum height of 20° trajectory to fight through wind





Thanks to the presence of 15 streams "steps" of a different shape ensures a uniform even and continuous is very close to the maximum radius of the head.



A proven planetary gear drive, variable stator and turbine to rotate the nozzle

## Performance

Pressure (bar)	Arc	Flow Rate (l/min)	Radius (m)	Precipitation (mm/h)	
				Square	Triangular
1,7	45	0,68	4,3	17,65	20,38
	90	1,7	4,9	16,99	19,62
	120	1,93	4,9	14,47	16,71
	180	2,88	4,6	16,33	18,86
	240	4,24	4,6	18,03	20,82
	270	4,09	4,3	17,7	20,43
2,4	360	6,85	4,6	19,42	22,43
	45	0,95	4,9	18,99	21,93
	90	2,04	5,8	14,55	16,81
	120	2,88	6,1	13,93	16,09
	180	3,94	5,8	14,05	16,23
	240	5,49	5,8	14,69	16,96
3,1	270	5,19	5,5	13,73	15,85
	360	8,9	5,8	15,87	18,33
	45	1,55	5,8	22,12	25,54
	90	2,54	6,7	13,58	15,68
	120	3,48	7	12,78	14,76
	180	4,96	6,7	13,26	15,31
3,8	240	6,36	6,4	13,97	16,14
	270	6,93	6,4	13,54	15,63
	360	11,96	6,7	15,99	18,46
	45	1,74	6,1	22,45	25,92
	90	2,84	7	13,91	16,06
	120	3,79	7,3	12,8	14,78
4,5	180	5,53	7	13,54	15,64
	240	7,15	6,7	14,34	16,55
	270	8,06	6,7	14,36	16,59
	360	13,55	7	16,59	19,16
	45	1,21	6,1	15,61	18,02
	90	3,14	7,6	13,05	15,07
5,2	120	4,2	7,6	13,09	15,11
	180	6,25	7,6	12,98	14,99
	240	7,87	7	14,46	16,69
	270	8,93	7,3	13,41	15,48
	360	14,61	7,3	16,45	18,99
	45	1,32	6,7	14,11	16,3
5,2	90	3,37	7,9	12,96	14,96
	120	4,47	7,6	13,93	16,09
	180	6,7	7,9	12,88	14,88
	240	8,52	7,3	14,39	16,62
	270	9,88	7,6	13,68	15,8
	360	15,82	7,6	16,43	18,98

## Codification

Code	Description
IPN-R360	Full circle nozzle 360°
IPN-RADJ	Adjustable arc nozzle 45°-270°
IPN-RTOOL	Key for rotary nozzle adjustment

# I-PRO Nozzles



5 Models: 5', 8' 10', 12', 15'

Female-threaded compatible with any male-threaded riser in the industry

Matched precipitation rate ensures even water distribution

**T**he I-PRO fixed nozzles with Matched Precipitation Rate ensure uniform water distribution allowing accurate control of the precipitation rate, the range and the flow so as to considerably reduce leaks and over-irrigation.



## Features

6 arc setting\*

Ribbed-edge design provides for a non-slip grip

Radius reduction up to 25%

Color-coded top for a quick and easy radius identification

\* 5', 8' e 10' nozzles are not available in TT and TQ arc setting

## Specifications

Radius: 1,2 - 4,9 m

Flow range: 0,19-17,33 l/min

Recommended operating pressure range: 1,5 - 3,5 bar

## Codification





Code	Description
<b>IPN-5XX</b>	Series 5 I-Pro nozzle: radius 1,3-1,8 m
<b>IPN-8XX</b>	Series 8 I-Pro nozzle: radius 2,2-2,7 m
<b>IPN-10XX</b>	Series 10 I-Pro nozzle: radius 2,8-3,7 m
<b>IPN-12XX</b>	Series 12 I-Pro nozzle: radius 3,4-4,3 m
<b>IPN-15XX</b>	Series 15 I-Pro nozzle: radius 4,3-4,9 m

**XX:** add "F" for 360°, "H" for 180°, "T" for 120°, "Q" for 90°, "TQ" for 270°, "TT" for 240





## Performance

Arc	Code	Pressure bar	Flow l/min	Radius m
-----	------	--------------	------------	----------





### 5' - 1,8 m Radius

	IPN-5-Q	1,5	0,21	1,2
		2,0	0,38	1,5
		2,5	0,50	1,8
		3,0	0,55	1,7
		3,5	0,63	1,8
	IPN-5-T	1,5	0,29	1,2
		2,0	0,49	1,5
		2,5	0,66	1,8
		3,0	0,71	1,7
		3,5	0,82	1,8
	IPN-5-H	1,5	0,40	1,2
		2,0	0,76	1,5
		2,5	0,92	1,8
		3,0	1,00	1,7
		3,5	1,08	1,8
	IPN-5-F	1,5	0,09	1,2
		2,0	1,55	1,5
		2,5	1,84	1,8
		3,0	2,00	1,7
		3,5	2,16	1,8

### 8' - 2,4 m Radius







	IPN-8-Q	1,5	0,70	2,1
		2,0	0,98	2,4
		2,5	1,07	2,7
		3,0	1,16	2,6
		3,5	1,19	2,7
	IPN-8-T	1,5	0,99	2,1
		2,0	1,29	2,4
		2,5	1,54	2,7
		3,0	1,68	2,6
		3,5	1,72	2,7
	IPN-8-H	1,5	1,46	2,1
		2,0	1,97	2,4
		2,5	2,28	2,7
		3,0	2,48	2,6
		3,5	2,56	2,7
	IPN-8-F	1,5	2,91	2,1
		2,0	3,94	2,4
		2,5	4,57	2,7
		3,0	4,97	2,6
		3,5	5,12	2,7

### 10' - 3 m Radius







	IPN-10-Q	1,5	1,14	2,7
		2,0	1,51	3,0
		2,5	1,89	3,4
		3,0	2,06	3,5
		3,5	2,27	3,7
	IPN-10-T	1,5	1,62	2,7
		2,0	2,01	3,0
		2,5	2,51	3,4
		3,0	2,73	3,5
		3,5	2,89	3,7
	IPN-10-H	1,5	2,35	2,7
		2,0	3,07	3,0
		2,5	3,67	3,4
		3,0	3,99	3,5
		3,5	4,28	3,7
	IPN-10-F	1,5	4,62	2,7
		2,0	6,21	3,0
		2,5	6,71	3,4
		3,0	7,30	3,5
		3,5	7,71	3,7

Arc	Code	Pressure bar	Flow l/min	Radius m
-----	------	--------------	------------	----------

### 12' - 3,6 m Radius

	IPN-12Q	1,5	1,73	3,4
		2,0	2,16	3,7
		2,5	2,59	4,0
		3,0	2,82	4,0
		3,5	2,72	4,0
	IPN-12T	1,5	2,25	3,4
		2,0	2,84	3,7
		2,5	3,43	4,0
		3,0	3,73	4,0
		3,5	3,82	4,0
	IPN-12H	1,5	3,79	3,4
		2,0	4,35	3,7
		2,5	5,19	4,0
		3,0	5,65	4,0
		3,5	6,19	4,0
	IPN-12TT	1,5	4,53	3,4
		2,0	5,87	3,7
		2,5	6,6	4,0
		3,0	7,17	4,0
		3,5	7,28	4,0
	IPN-12TQ	1,5	4,41	3,4
		2,0	6,51	3,7
		2,5	6,93	4,0
		3,0	7,54	4,0
		3,5	7,56	4,0
	IPN-12F	1,5	6,58	3,4
		2,0	8,63	3,7
		2,5	9,26	4,0
		3,0	10,07	4,0
		3,5	10,6	4,0

### 15' - 4,5 m Radius

	IPN-15Q	1,5	2,76	4,3
		2,0	3,44	4,6
		2,5	4,21	4,9
		3,0	4,58	4,9
		3,5	4,98	4,9
	IPN-15T	1,5	3,89	4,3
		2,0	4,5	4,6
		2,5	5,32	4,9
		3,0	5,79	4,9
		3,5	5,94	4,9
	IPN-15H	1,5	5,72	4,3
		2,0	6,89	4,6
		2,5	8,43	4,9
		3,0	9,17	4,9
		3,5	8,94	4,9
	IPN-15TT	1,5	7,38	4,3
		2,0	9,12	4,6
		2,5	11,0	4,9
		3,0	12,0	4,9
		3,5	11,8	4,9
	IPN-15TQ	1,5	8,44	4,3
		2,0	10,4	4,6
		2,5	12,1	4,9
		3,0	13,11	4,9
		3,5	13,7	4,9
	IPN-15F	1,5	11,2	4,3
		2,0	14,1	4,6
		2,5	16,5	4,9
		3,0	17,92	4,9
		3,5	18,0	4,9



# Pro-Van Nozzles



- 5 Models with adjustable arc from 0° to 360°
- Female-threaded compatible with I-Pro and SL sprayheads

**T**he Pro-Van adjustable nozzles allow adjusting the arc according to need and reducing the radius thanks to the radius adjustment screw. In addition, they offer excellent tolerance to dirt and highly uniform performance.



## Features

- Excellent distribution uniformity
- Excellent tolerance to dirty
- Pre-installed filter for an easy installation
- Radius reduction up to 25%
- Color coded for an easy radius identification

## Specifications

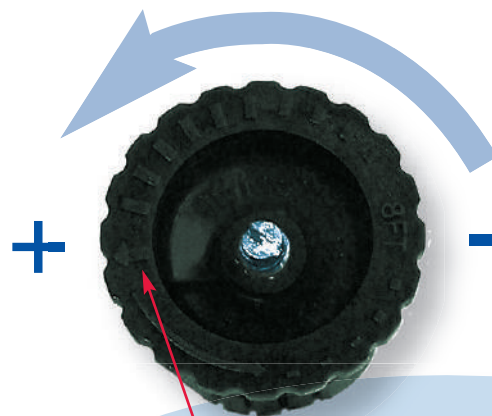
- Radius: 2,1 – 5,1 m
- Flow range: 1,7 – 16,0 l/min
- Recommended operating pressure: 1,0 – 2,0 bar

## Performance

Adjustable nozzle	Mod 8 Radius 2,4 m Trajectory 5°			Mod 10 Radius 3,0 m Trajectory 10°		Mod 12 Radius 3,7 m Trajectory 15°		Mod 15 Radius 4,6 m Trajectory 20°		Mod 17 Radius 5,1 m Trajectory 26°	
	Arc	Pressure (bar)	Flow Range (l/min)	Radius (m)	Flow Range (l/min)	Radius (m)	Flow Range (l/min)	Radius (m)	Flow Range (l/min)	Radius (m)	Flow Range (l/min)
360°	1	6,8	2,1	7,2	2,7	9,2	3,0	10,0	4,1	12,0	4,3
	1,5	8,0	2,4	9,6	3,0	10,8	3,4	12,0	4,3	14,0	4,8
	2	9,6	2,4	10,8	3,0	12,0	3,7	14,0	4,6	16,0	5,1
180°	1	3,4	2,1	3,6	2,7	4,6	3,0	5,0	4,1	6,0	4,3
	1,5	4,0	2,4	4,8	3,0	5,4	3,4	6,0	4,3	7,0	4,8
	2	4,8	2,4	5,4	3,0	6,0	3,7	7,0	4,6	8,0	5,1
90°	1	1,7	2,1	1,8	2,7	2,3	3,0	2,5	4,1	3,0	4,3
	1,5	2,0	2,4	2,4	3,0	2,7	3,4	3,0	4,3	3,5	4,8
	2	2,4	2,4	2,7	3,0	3,0	3,7	3,5	4,6	4,0	5,1

Data represent results in zero wind. Adjust for local conditions.

Radius may be reduced up to 25% with adjustment screw (this may alter the uniformity of the spray pattern).



Top-visible arrow quickly indicates left edge of arc setting when adjusted

## Codification

Code	Description
<b>PRO-VAN8</b>	Serie 8 Pro Van nozzle, adjustable arc 0°-360°, radius 2,1-2,4 m, brown
<b>PRO-VAN10</b>	Serie 10 Pro Van nozzle, adjustable arc 0°-360°, radius 2,7-3,0 m, red
<b>PRO-VAN12</b>	Serie 12 Pro Van nozzle, adjustable arc 0°-360°, radius 3,0-3,7 m, green
<b>PRO-VAN15</b>	Serie 15 Pro Van nozzle, adjustable arc 0°-360°, radius 4,1-4,6 m, black
<b>PRO-VAN17</b>	Serie 17 Pro Van nozzle, adjustable arc 0°-360°, radius 4,3-5,1 m, grey

# Special Nozzles



9', 15' models (2,7 & 4,5 m models)




Female-threaded compatible with I-Pro and SL sprayheads

Precipitation rates balanced with the I-Pro fixed arc nozzles



The range of special Irritrol nozzles has been designed so that they can be adapted to the most varied situations and they can also be arranged at any point in the system

## Performance

Code	2,7 m RADIUS			4,5 m RADIUS		
	bar	WxL (m)	l/min	bar	WxL (m)	l/min
SS 	1,4	0,9 x 4,9	3,2	1,4	0,9 x 8,5	4,2
	2,0	1,2 x 5,5	3,4	2,0	1,2 x 9,1	4,6
	2,7	1,5 x 6,1	3,7	2,7	1,5 x 9,8	5,1
CS 	1,4	0,9 x 4,9	3,2	1,4	0,9 x 8,5	4,2
	2,0	1,2 x 5,5	3,4	2,0	1,2 x 9,1	4,6
	2,7	1,5 x 6,1	3,7	2,7	1,5 x 9,8	5,1
ES 	1,4	0,9 x 2,4	1,6	1,4	0,9 x 4,3	2,0
	2,0	1,2 x 2,7	1,7	2,0	1,2 x 4,6	2,3
	2,7	1,5 x 3,0	1,8	2,7	1,5 x 5,2	2,6

W = width L = length

The values given in these charts are representative of the throw for each nozzle at each pressure point

## Features

Suitable for square patterns:

- SS = side strip
- CS = central strip
- ES = end strip

Filter included

Radius reduction up to 25%

## Specifications

Pattern covered: 0,9x4,3 – 1,5x9,8 m

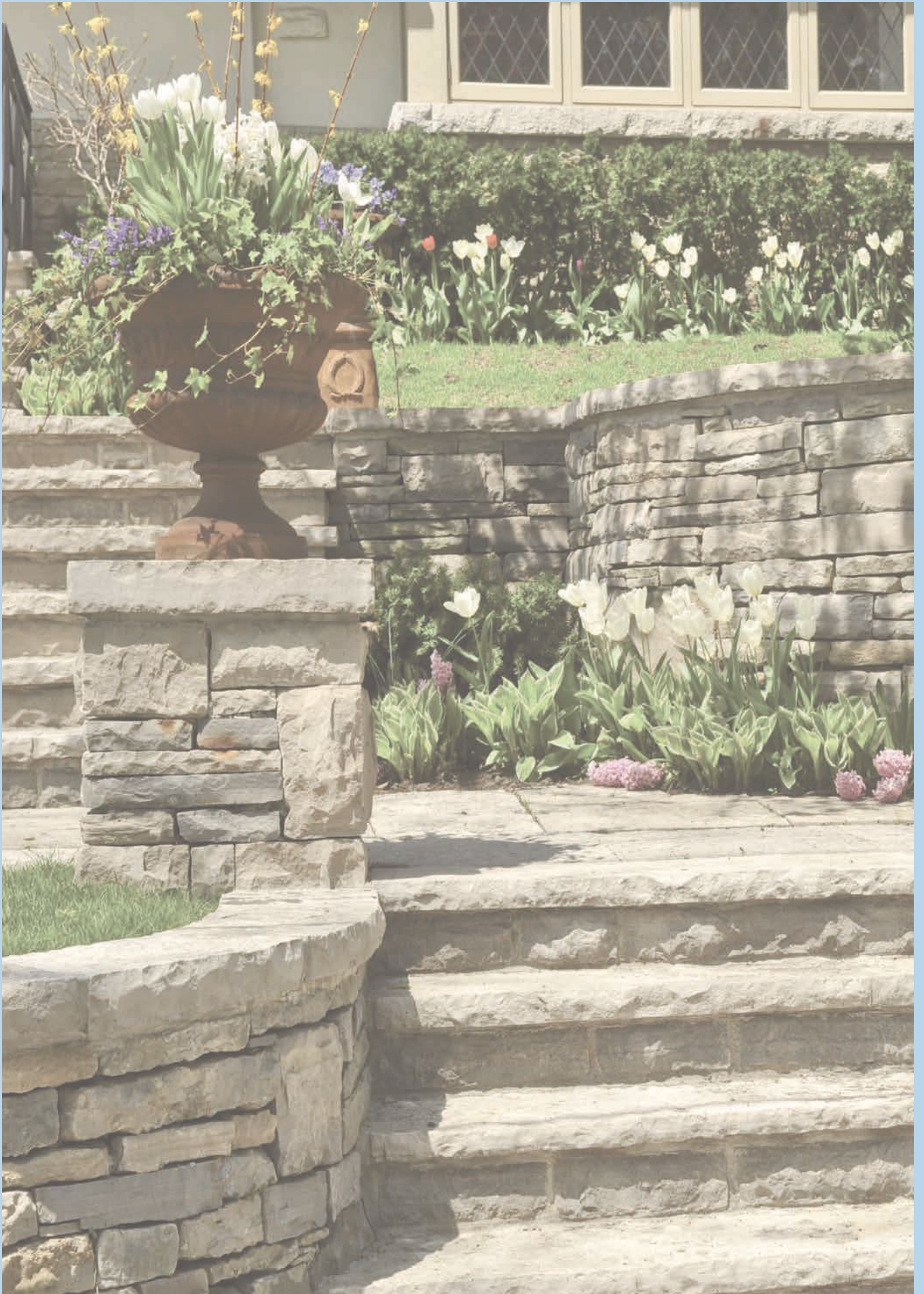
Flow Range: 1,6 – 5,1 l/min

Recommended operating pressure:  
1,4 – 2,7 bar

## Codification

Code	Description
IPN-9SST	Series 9 Special nozzle – side strip
IPN-9CST	Series 9 Special nozzle – central strip
IPN-9EST	Series 9 Special nozzle – end strip
IPN-15SST	Series 15 Special nozzle – side strip
IPN-15CST	Series 15 Special nozzle – central strip
IPN-15EST	Series 15 Special nozzle – end strip











# Sprinklers

## Comparison Table

	430R	550R-SC	TITAN	PLATINUM	SISI20	SGSI05	SPSI75	SPSI78	WT118
<b>Pages n°</b>	68	70	72	74	76	78	80	81	82
<b>Adjustable Arc</b>	40°-360°	40°-360°	20°-340°	45°-360°	30°-330°	30°-330°		180°	trattorino
<b>Full Circle</b>					360°		360°		
<b>Inlet</b>	1/2"	3/4"	1"	1"	1 1/2"	1 1/2"	2 1/2"	2"	
<b>Radius (m)</b>	5,1-9,0	7,6-15,2	9,7-13,8	14,9-24,1	19,0-36,5	21,0-32,0	32,0-53,0	34,0-54,0	28,0-36,0
<b>Flow range (l/min)</b>	2,8-12,5	2,8-36,7	5,7-28,7	279-115,9	71,6-451,6	86,6-386,6	366,6-1250	383-1803	50
<b>Operating Pressure (bar)</b>	2,0-3,5	1,7-4,5	2,0-3,5	2,8-6,9	3,0-7,0	4,0-7,0	4,0-8,0	4,0-8,0	3,0
<b>Shrub</b>		✓							
<b>High Pop</b>		✓							
<b>Applications:</b>									
<i>Small and medium gardens</i>	●	●							
<i>Big garden and parks</i>			●	●					
<i>Sports fields</i>				●	●	●	●	●	



# 430R



- Inlet: ½" female threaded
- Adjustable arc range: 40° - 360°
- 5 interchangeable nozzles



**T**he 430R sprinkler has everything a ½" turbine can offer for irrigation of small areas. Because the arc is easy to adjust and the right and left block easy to check, the 430R is a sprinkler that can also be used by not professional users.

## Features

- Pressure activated seal
- Positive left and right stops reduces set-up time by allowing you to quickly check the arc
- Part and full-circle model in one unit
- Adjustments can be made with a normal screwdriver without needing to use special tools

## Specifications

- Radius: 5,1 – 9,0 m
- Flow range: 2,8 - 12,5 l/min
- Operating pressure: 2,0 - 3,5 bar
- Overall height (retracted): 15 cm
- Riser height: 10 cm
- Standard nozzle trajectory: 25°

## Performance

Pressure (bar)	Nozzle	Radius (m)	Flow (l/min)	■ (mm/h)	▲ (mm/h)
2,0	0,75	5,1	2,8	5,67	6,54
	1,0	6,0	3,4	6,46	7,46
	1,5	6,9	5,3	6,68	7,71
	2,0	7,5	6,8	7,25	8,38
	3,0	8,4	10,2	8,67	10,01
2,8	0,75	5,4	3,0	6,17	7,13
	1,0	6,3	4,5	6,80	7,85
	1,5	7,2	6,4	7,41	8,55
	2,0	8,1	8,0	7,32	8,45
	3,0	9,0	11,4	8,44	9,75
3,5	0,75	5,4	3,4	7,00	8,08
	1,0	6,3	4,9	7,41	8,55
	1,5	7,2	7,2	8,33	9,62
	2,0	8,1	9,1	8,32	9,61
	3,0	9,0	12,5	9,26	10,69

- Precipitation rates for "square" spacing and full circle operation
  - ▲ Precipitation rates for "triangular" spacing and full circle operation
  - Spacing based on 100% of radius
- The data indicated is the result of tests conducted in zero wind conditions



### No special tool required

All arc adjustments made from the top with a standard screwdriver reduces set up time



### Codification

Code	Description
430R	430R Rotor 1/2", 40°-360

# 550R-SC



- Inlet: 3/4" female threaded
- Adjustable arc setting: 40° - 360°
- 8 standard and 4 low angle nozzles



**T**he Irritrol 550R-SC 3/4" sprinkler offers ease of use and operating reliability in one single device. Thanks to the innovative Slip Clutch system, you can now manually adjust the arc without needing to use any tools.

## Features

- Familiar top adjustment, wet or dry
- Non-flushing wiper seal reduces leaks caused by debris trapped under seal
- Standard rubber cover provides added protection against debris
- Right (fixed) and left stops allow you to easily check the arc thus reducing the installation time.
- One model for part- and full-circle irrigation

## Additional Features

- Filter with double surface area for better resistance to clogging and tolerance to debris.
- Body made of ABS and hence more robust.
- Single thread (rather than 5 like the competitors) to reduce the risk of blockage due to the intrusion of debris.

## Specifications

- Radius: 7,6 - 15,2 m
- Flow range: 2,8 - 36,7 l/min
- Operating pressure: 1,7 - 4,5 bar (3,0 bar recommended operating pressure)
- Overall height (retracted): 19 cm
- Riser height: 12,7 cm
- Standard nozzle trajectory: 25°
- Low angle nozzle trajectory: 12°

## Options

- Check valve holds up to 2,1 m of elevation change eliminates water waste
- Recycled-water indicator cover (purple)



## Performance

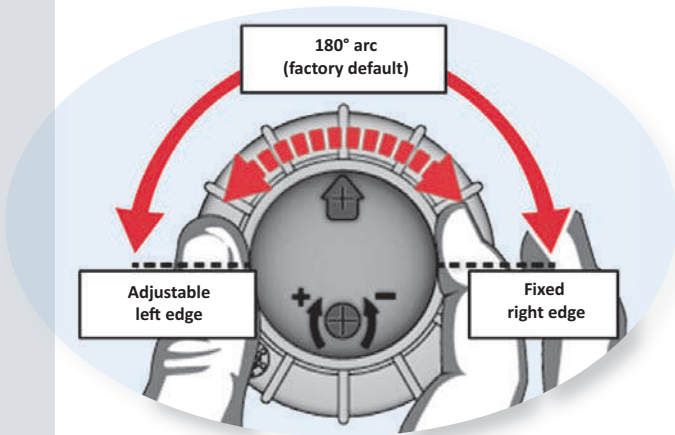
### 550R-SC Rotor – Standard Nozzles 25°

Pressure (bar)	Nozzle	Radius (m)	Flow (l/min)	■ (mm/h)	▲ (mm/h)
1,7	1,5	10,0	4,3	2,58	2,98
	2,0	10,6	5,5	2,94	3,39
	2,5	10,6	6,7	3,58	4,13
	3,0	11,0	8,3	4,12	4,75
	4,0	11,3	11,2	5,26	6,08
	5,0	11,9	14,2	6,02	6,95
	6,0	11,9	16,0	6,78	7,83
2,4	1,5	10,4	5,2	2,88	3,33
	2,0	11,0	6,8	3,37	3,89
	2,5	11,0	8,3	4,12	4,75
	3,0	11,6	9,8	4,37	5,05
	4,0	12,2	13,4	5,00	6,24
	5,0	12,5	17,0	6,53	7,54
	6,0	13,1	19,6	6,85	7,91
3,1	1,5	10,7	6,0	3,14	3,63
	2,0	11,3	8,0	3,76	4,34
	2,5	11,3	9,6	4,51	5,21
	3,0	12,2	11,5	4,64	5,35
	4,0	12,8	15,5	5,68	6,55
	5,0	13,1	19,3	6,75	7,79
	6,0	13,4	23,0	7,69	8,87
3,8	1,5	10,7	6,6	3,46	3,99
	2,0	11,3	8,7	4,09	4,72
	2,5	11,3	10,6	4,98	5,75
	3,0	12,2	13,3	5,36	6,19
	4,0	12,8	16,8	6,15	7,10
	5,0	13,7	21,7	6,94	8,01
	6,0	14,3	25,1	7,36	8,50
4,5	1,5	11,0	7,1	3,52	4,07
	2,0	11,3	9,7	4,56	5,26
	2,5	11,3	11,5	5,40	6,24
	3,0	12,2	14,4	5,80	6,70
	4,0	13,1	18,3	6,40	7,39
	5,0	13,7	23,0	7,35	8,49
	6,0	14,6	27,4	7,71	8,91
	8,0	15,2	36,7	9,53	11,00

### 550R-SC Rotor – Low Angle Nozzles 12°

Pressure (bar)	Nozzle	Radius (m)	Flow (l/min)	■ (mm/h)	▲ (mm/h)
1,7	1,0	7,6	2,8	2,91	3,36
	1,5	8,2	4,1	3,66	4,22
	2,0	8,8	5,3	4,11	4,74
	3,0	8,8	8,3	6,43	7,43
2,4	1,0	8,5	3,5	2,91	3,36
	1,5	9,1	5,1	3,70	4,27
	2,0	9,4	6,5	4,41	5,10
	3,0	10,0	9,8	5,88	6,79
3,1	1,0	8,8	3,9	3,02	3,49
	1,5	9,4	5,7	3,87	4,47
	2,0	9,7	7,8	4,97	5,74
	3,0	10,3	11,5	6,50	7,51
3,8	1,0	8,8	4,3	3,33	3,85
	1,5	9,4	6,6	4,48	5,17
	2,0	10,0	8,5	5,10	5,89
	3,0	11,0	12,9	6,40	7,39
4,5	1,0	8,8	4,7	3,64	4,20
	1,5	9,4	7,2	4,89	5,65
	2,0	10,0	9,3	5,58	6,44
	3,0	11,0	14,0	6,94	8,02

- Precipitation rates for "square" spacing and full circle operation
  - ▲ Precipitation rates for "triangular" spacing and full circle operation
  - Spacing based on 100% of radius
- The data indicated is the result of tests conducted in zero wind conditions



550R with Shrub adapter



550R high pop

## Codification

Code	Description
<b>550R-SC</b>	550R-SC 3/4" 40-360° turbine sprinkler with 12.7cm riser and slip clutch
<b>550RHP-SC*</b>	550RHP-SC* - High Pop for 550R-SC with 30cm riser
<b>550RS</b>	550RS- Shrub adapter for 550R without slip clutch
<b>550RS-SC*</b>	550RS-SC*Shrub adapter for 550R with slip clutch

\* Available as of 2015

# Titan



Base connection ¾" female and ½" female side ways

Adjustable arc setting: 20° - 340°

5 interchangeable nozzles (1 pre-installed)

The Titan impact sprinkler is designed for use in small- and medium-sized gardens. The compact design with reinforcement rib on the side ensures durability. The self-cleaning seal removes any debris so that the piston can move up and down without jamming.



## Features

- Pressure-activated seal
- Positive left and right stops reduce set-up time by allowing you to quick check the arc
- Part and full-circle model in one unit
- All adjustments made with a standard screwdriver. No special tools required
- Radius reduction screw breaks water into smaller droplets for uniform watering

## Additional Features

- Heavy-duty, high impact case with sturdy, reinforced ribbed design
- Unique lip case design aids in setting proper installation height, prevents grass and weeds from growing into head and minimizes backwash
- Weighted spray guide arm controls stream and prevents side splash onto buildings and walkways
- Color coded for an easy nozzles identification

## Specification

- Radius: 9,7 – 13,8 m
- Flow range: 5,7 – 28,7 l/min
- Operating pressure: 2,0 - 3,5 bar
- Diameter: 12,7 cm
- Overall height: 23,6 cm
- Nozzle pre-installed 11,0 l/min (black)



### Codification

Code	Description
<b>TITAN</b>	Titan Impact Rotor 20°-340°

### Performance

Pressure (bar)	Radius (m)	Flow (l/min)	Nozzle color code	Pattern
<b>2.0</b>	9,7	5,7	Orange	90°
	10,0	7,6	Red	120°
	10,6	11,0	Black	180°
	11,6	14,4	Blue	270°
	11,9	21,9	Green	360°
<b>2.5</b>	10,3	6,4	Orange	90°
	10,8	8,0	Red	120°
	11,4	12,6	Black	180°
	12,2	15,3	Blue	270°
	12,6	23,6	Green	360°
<b>3.0</b>	10,8	7,5	Orange	90°
	11,6	8,7	Red	120°
	12,1	14,2	Black	180°
	12,6	17,1	Blue	270°
	13,3	25,9	Green	360°
<b>3.5</b>	11,0	8,8	Orange	90°
	12,3	9,5	Red	120°
	12,5	15,3	Black	180°
	12,8	19,6	Blue	270°
	13,8	28,7	Green	360°



# Platinum



- Inlet: 1" female threaded
- Adjustable arc range: 45° - 360°
- 7 interchangeable nozzles

**T**he Platinum 1" sprinkler is ideal for medium-sized sports fields. All the adjustments can be made on the top of the turbine, and what's more, the permanent arc memory guarantees regular functioning even with accidental tampering.



## Features

- The nozzles are easy to fit and remove from the upper part (using a dedicated wrench).
- Standard rubber cover provides added protection against debris
- Part and full-circle model in one unit
- Stainless steel radius adjustment screw allows up to 25% radius reduction
- ArcView arc indicator simplifies adjustments
- Antivandalism permanent arc memory. Resets the sprinkler to the working arc set during adjustment even after alterations during operation.
- Vandalism locking cap screw

## Additional Features

- Water-lubricated gear drive assembly enhances reliability
- Nozzle support/Break up screw
- Reversible check valve eliminates low-head drainage
- Also available with stainless steel riser

## Specification

- Radius: 14,9 – 24,1m
- Flow range: 279 – 115,9 l/min
- Operating pressure: 2,8 – 6,9 bar
- Cap diameter: 5,6 cm
- Body diameter: 6,9 cm
- Riser height: 12,7 cm
- Body height: 22,4 cm
- Nozzle trajectory: 25°



## Performance

Pressure (bar)	Nozzle	Radius (m)	Flow (l/min)	■ (mm/h)	▲ (mm/h)
3,4	7	14,9	27,9	7,50	8,66
	9	15,5	31,3	7,77	8,97
	12	15,5	43,7	10,86	12,54
	16	17,1	57,2	11,79	13,61
	20	17,7	66,4	12,75	14,72
	24	18,3	66,2	11,88	13,72
	27	19,8	88,5	13,54	15,63
4,1	7	15,2	30,6	7,91	9,13
	9	15,9	32,6	7,85	9,06
	12	16,2	47,9	11,02	12,73
	16	18,0	61,4	11,40	13,17
	20	18,6	73,9	12,82	14,80
	24	19,2	73,2	11,92	13,76
	27	22,3	89,2	10,81	12,48
4,8	7	15,5	33,2	8,25	9,52
	9	16,2	35,7	8,21	9,48
	12	16,5	52,3	11,58	13,37
	16	18,6	66,1	11,48	13,26
	20	18,6	78,1	13,56	15,65
	24	19,8	78,3	11,97	13,82
	27	22,9	97,6	11,20	12,94
5,5	7	16,2	35,7	8,20	9,47
	9	16,5	37,6	8,33	9,62
	12	16,8	55,6	11,87	13,71
	16	18,6	71,1	12,34	14,25
	20	19,8	83,9	12,82	14,80
	24	20,4	84,5	12,15	14,03
	27	23,5	103,8	11,31	13,06
6,2	7	16,2	38,8	8,93	10,32
	9	16,8	41,3	8,81	10,18
	12	17,1	59,1	12,18	14,06
	16	19,2	75,7	12,32	14,22
	20	20,4	89,5	12,88	14,87
	24	20,4	90,1	12,97	14,97
	27	23,8	110,0	11,68	13,49
6,9	7	16,8	40,5	8,66	10,00
	9	17,1	43,6	8,98	10,37
	12	17,4	62,5	12,42	14,34
	16	19,2	79,7	12,97	14,97
	20	20,4	94,0	13,52	15,61
	24	21,6	95,6	12,25	14,15
	27	24,1	115,9	11,99	13,85

- Precipitation rates for "square" spacing and full circle operation
- ▲ Precipitation rates for "triangular" spacing and full circle operation
- Spacing based on 100% of radius

The data indicated is the result of tests conducted in zero wind conditions

Top arc indicator allows you to see the arc setting, saving valuable set up time



## Codification

Code	Description
PTSPORT-BSP	Platinum Rotor 1", 45°-360°
PTSPORT-BSP-SS	Platinum Rotor 1", 45°-360°, stainless steel riser

# SIS I20F and SIS I20P



Inlet: 1 1/2" female threaded

2 models:

- SIS120F: full circle 360°

- SIS120P: arc adjustable: 30° - 330°

Nozzles range: 7 – 17,5 mm (standard nozzle preassembled)

**T**he SIS series impact sprinklers are intended for use on sports fields and in parks and also allow filling natural grass in turf lid.



## Features

- High rotation speed < 1 min/360°
- Water-lubricated gear drive assembly enhances reliability
- Sector easily adjustable. No tools required
- Two different model: full circle and arc adjustable
- Lid in plastic or with artificial grass in green
- SIS120F model with sod cup for natural turf
- The solenoid (in the version with valve in head) is fitted at the top of the sprinkler for easier replacement.
- Vandalism locking cap screw
- Availability spare parts

## Additional Features

- Nozzle lock screw
- High stability of the water jet even in wind exposed areas
- Also suitable for grey water
- Also available with valve in head

## Specification

- Radius: 19,0 – 36,5 m
- Flow range: 71,6 – 451,6 l/min
- Operating pressure: 3,0– 7,0 bar
- Trajectory: 22°
- Solenoid 24 VAC - 50 Hz
  - Inrush current 0,34 A
  - Holding current 0,20 A



# SIS 120F and SIS 120P



Sprinkler type	SIS120P-PG	SIS120PV-PGV	SIS120F	SIS120FV
Installation height	370 mm	450 mm	573 mm	660 mm
Rising height	98 mm	99 mm	205 mm	206 mm
Outer Ø housing	246 mm	246 mm	246 mm	246 mm
Outer Ø id	180 mm	180 mm	242 mm	242 mm

## Performance

2 Nozzle SIS120P	Nozzle 7 mm		Nozzle 8 mm		Nozzle 9 mm		Nozzle 10 mm		Nozzle 11 mm		Nozzle 12 mm		Nozzle*		Nozzle 13 mm		Nozzle 14 mm		Nozzle 15 mm		Nozzle 17,5mm	
Operating Pressure	m <sup>3</sup> /h	m	m <sup>3</sup> /h	m	m <sup>3</sup> /h	m	m <sup>3</sup> /h	m	m <sup>3</sup> /h	m	m <sup>3</sup> /h	m	m <sup>3</sup> /h	m	m <sup>3</sup> /h	m	m <sup>3</sup> /h	m	m <sup>3</sup> /h	m	m <sup>3</sup> /h	m
3,0 bar	4,6	19,0	5,7	19,5	6,8	20,0	7,9	20,5	8,8	21,0	10,0	21,5	11,2	22,0	12,7	22,5	14,1	23,0	15,7	23,5	17,0	24,0
4,0 bar	5,2	19,5	6,5	20,5	7,8	21,2	9,0	21,9	10,2	23,0	11,5	24,0	12,9	25,0	14,6	26,0	16,3	27,0	18,1	28,0	19,6	28,0
5,0 bar	5,8	20,6	7,2	21,5	8,7	22,4	10,0	23,3	11,3	24,8	12,8	26,5	14,4	27,5	16,3	29,0	18,1	30,0	20,0	31,0	21,8	31,0
6,0 bar	6,4	21,4	7,9	22,5	9,5	23,6	11,0	24,7	12,4	26,6	14,0	28,0	15,7	29,0	17,8	30,5	19,8	32,0	21,9	33,0	23,9	34,0
7,0 bar	6,8	21,9	8,5	23,3	9,2	24,7	11,8	26,1	13,3	27,9	15,1	29,4	16,9	30,5	19,2	32,0	21,4	33,5	23,8	35,0	25,8	36,5

3 Ugelli SIS120F	Nozzle 7 mm		Nozzle 8 mm		Nozzle*		Nozzle 10 mm		Nozzle 11 mm		Nozzle 12 mm		Nozzle 13 mm		Nozzle 14 mm		Nozzle 15 mm		Nozzle 17,5mm			
Operating Pressure	m <sup>3</sup> /h	m	m <sup>3</sup> /h	m	m <sup>3</sup> /h	m	m <sup>3</sup> /h	m	m <sup>3</sup> /h	m	m <sup>3</sup> /h	m	m <sup>3</sup> /h	m	m <sup>3</sup> /h	m	m <sup>3</sup> /h	m	m <sup>3</sup> /h	m		
3,0 bar	5,6	19,0	6,7	19,5	7,8	20,0	8,9	20,5	9,8	21,0	11,0	21,5	12,2	22,0	13,7	22,5	15,1	23,0	16,6	23,5	18,0	24,0
4,0 bar	6,3	19,5	7,6	20,5	8,9	21,2	10,1	21,9	11,3	23,0	12,6	24,0	14,0	25,0	15,7	26,0	17,4	27,0	19,3	28,0	20,7	28,0
5,0 bar	7,1	20,6	8,5	21,5	10,0	22,4	11,3	23,3	12,6	24,8	14,1	26,5	15,7	27,5	17,6	29,0	19,4	30,0	21,4	31,0	23,1	31,0
6,0 bar	7,9	21,4	9,4	22,5	11,0	23,6	12,5	24,7	13,9	26,6	15,5	28,0	17,2	29,0	19,3	30,5	21,3	32,0	23,4	33,0	25,4	34,0
7,0 bar	8,3	21,9	10,1	23,3	11,8	24,7	13,4	26,1	14,9	27,9	16,7	29,4	18,5	30,5	20,8	32,0	23,0	33,5	25,4	35,0	27,4	36,5

\* Standard Nozzle Preassembled

## Codification

Code	Description
<b>SISI 120-F</b>	Impact sprinkler SIS120 1 1/2", 360° with sod cup
<b>SISI 120-FV</b>	Impact sprinkler SIS120 1 1/2", 360° with sod cup and valve in head
<b>SISI 120-P</b>	Impact sprinkler SIS120 1 1/2", 30°-330°
<b>SISI 120-PV</b>	Impact sprinkler SIS120 1 1/2", 30°-330° with valve in head
<b>SISI 120-PG</b>	Impact sprinkler SIS120 1 1/2", 30°-330° with artificial grass
<b>SISI 120-PGV</b>	Impact sprinkler SIS120 1 1/2", 30°-330° with artificial grass and valve in head

# SGS105



Inlet: 1 1/2" female threaded made of brass

Adjustable arc: 30° - 330°

Nozzles range: 7 - 14 mm



**T**he SGS105 turbine is intended for use on natural or synthetic grass sports field. Manual arc control and valve pressure adjustment are easy and fast on top of the sprinkler.

## Features

- High rotation speed 60-30sec/360°
- Central flow system reduces hydraulic friction and improves the performance efficiency
- Both left and right sectors are adjustable
- Part and full-circle model in one unit
- Housing cover and sprinkler head complete with artificial grass top
- The solenoid is fitted at the top of the sprinkler for easier replacement
- Slip clutch combats vandalism
- Availability spare parts

## Additional Features

- Arc degrees can be viewed on the dial on top of the sprinkler
- High endurance ball bearings used inside the sprinkler
- Manual control and pressure regulation on valve in head models can be adjusted from the top of the sprinkler (ON-OFF-AUTO)

## Specification

- Radius: 21,0 – 32,0 m
- Flow range: 86,6 – 386,6 l/min
- Operating pressure: 4,0– 7,0 bar
- Trajectory: 25°
- Solenoid 24 VAC - 50 Hz
  - Inrush current 0,34 A
  - Holding current 0,20 A



Installation height	470 mm
Rising height	90 mm
Outer Ø housing	225 mm
Outer Ø lid	87 mm

## Performance

Operation Pressure	Nozzle 7 mm		Nozzle 8 mm		Nozzle 9 mm*		Nozzle 10 mm		Nozzle 11 mm		Nozzle 12 mm		Nozzle 13 mm**		Nozzle 14 mm	
	m³/h	m	m³/h	m	m³/h	m	m³/h	m	m³/h	m	m³/h	m	m³/h	m	m³/h	m
4,0 bar	5,2	21,0	6,6	23,0	8,0	24,0	9,7	24,5	11,5	25,0	13,1	26,0	15,2	27,0	17,5	27,5
5,0 bar	5,9	22,5	7,3	24,5	8,9	25,5	10,8	26,0	12,9	27,5	14,7	28,0	17,0	29,5	19,6	29,5
6,0 bar	6,4	24,0	8,0	26,0	9,8	27,0	11,9	28,0	14,1	29,0	16,1	30,0	18,6	30,5	21,4	31,0
7,0 bar	6,9	25,5	8,7	27,0	10,6	28,0	12,8	29,5	15,2	30,0	17,3	31,0	20,0	31,5	23,2	32,0

\*\* Full circle sprinkler standard nozzle preassembled - \* Part circle sprinkler standard nozzle preassembled

## Codification

Code	Description
<b>SGS105-FGV</b>	Gear driven sprinkler SIS105 1 ½", 360° with valve in head and artificial grass
<b>SGS105PGV</b>	Gear driven sprinkler SIS105 1 ½", 30-330° with valve in head and artificial grass



# SPS175



- Inlet: 2 1/2" female threaded made of brass
- Full and part circle sprinkler
- Nozzles range: 16 - 26 mm

The SPS175 pop-up sprinkler is the most powerful sprinkler in the Irritrol range. It is intended for use on synthetic grass football fields, hockey fields and racecourses. It can be installed outside the playing area without needing to install further sprinklers in the field, as it provides complete coverage because of its wide radius and high rotation speed.



## Features

- Rotation time 180°: from min. 50 to max 120 sec at 3-6 bar
- Unique piston drive for precise irrigation
- Full circle model in one unit
- Housing cover and sprinkler head complete with artificial grass top
- The solenoid and all other parts are fitted at the top of the sprinkler for easier replacement.
- Availability spare parts
- Second nozzle for the irrigation of the area around the sprinkler
- Possibility of adjustments with every tool in case of tampering

## Specification

- Radius: 32,0 – 53,0 m
- Flow range: 366,6 – 1250 l/min
- Operating pressure: 4,0 – 8,0 bar
- Trajectory: 25°
- Rotation time 180°: 50-120 sec at 3,0-6,0 bar

## Performance

Operating pressure	Nozzle 16 mm		Nozzle* 18 mm		Nozzle 20 mm		Nozzle 22 mm		Nozzle 24 mm		Nozzle 26 mm	
	m³/h	m	m³/h	m	m³/h	m	m³/h	m	m³/h	m	m³/h	m
4,0 bar	22,8	32,0	27,6	34,0	33,0	35,5	39,0	37,0	45,5	38,0	52,6	39,0
5,0 bar	25,5	34,0	30,9	37,0	36,9	38,5	43,6	40,0	50,9	41,0	58,8	42,0
6,0 bar	27,9	37,0	33,8	39,0	40,4	41,0	47,7	43,0	55,8	45,0	64,5	47,0
7,0 bar	30,1	38,0	36,5	42,0	43,7	43,0	51,6	45,0	60,2	48,0	69,6	50,0
8,0 bar	32,2	41,0	39,0	44,0	46,7	46,0	56,2	48,0	64,4	50,0	74,5	53,0

\* Standard nozzle preassembled

## Codification

Installation height	605 mm
Rising height	70 mm
Outer Ø housing	382 mm
Outer Ø lid	273 mm

Code	Description
SPS175	Rotor SPS175 2 1/2", 360° with artificial grass

# SPS178



- Brass inlet with 2" female thread
- Full and part circle sprinkler
- Nozzle range: 16 - 24 mm



## Features

- Rotation time 180°: from min. 50 to max 120 sec at 4-8 bar
- New technology nozzles to achieve excellent uniformity and reduced water consumption even with a radius of over 50m.
- One piston for precise irrigation
- Built-in valve that assures high reliability and low head loss.
- Slow valve closure to prevent water hammers
- The solenoid valve and all the other parts are fitted at the top of the sprinkler for easy maintenance
- Black plastic cover
- Spare parts available

## Performance

Operating pressure	Nozzle 16 mm		Nozzle 20 mm		Nozzle 24 mm	
	m <sup>3</sup> /h	m	m <sup>3</sup> /h	m	m <sup>3</sup> /h	m
4,0 bar	25,80	34,0	36,05	40,0	48,57	42,0
5,0 bar	28,85	37,0	40,31	42,0	54,31	44,0
6,0 bar	31,61	40,0	44,15	45,0	59,49	49,0
7,0 bar	42,0	42,0	47,69	48,0	64,26	52,0
8,0 bar	36,49	44,0	50,98	50,0	68,69	54,0

The brand-new SPS178 pop-up sprinkler is the most powerful sprinkler in the Irritrol range. It is intended for use on synthetic grass football fields and all large sports fields. It is installed outside the playing area without needing to install further sprinklers in the field. In fact, it ensures even coverage thanks to its wide range of 54 metres, which, together with the reduced water requirements, make it unique of its kind.

## Additional Features

- One side nozzle and a further 3 smaller nozzles to irrigate the area around the sprinkler
- Filter (50 micron) built into the body for the control water
- Hard-wearing ball bearings fitted in the sprinkler
- Self-draining when the connection hose is not pressurized

## Specification

- Radius: 34.0 – 54.0 m
- Flow rate: 23.0 – 65.0 m<sup>3</sup>/h
- Operating pressure: 4.0– 8.0 bar
- Trajectory: 25°
- Solenoid 24 VAC - 50 Hz
  - Inrush current 0,34 A
  - Holding current 0,20 A

Total height	680 mm
Turret rising height	75 mm
Exposed surface diameter	350 mm
Turret diameter	256 mm

## Codification

Code	Descrizione
SPS178	SPS178 - SPS178 2" 180° turbine sprinkler with built-in valve

# WT118



- Possibility to define the path to follow
- Full or partial irrigation
- Materials: alu, brass durable engineering plastic

**W**T118 is a tractor sprinkler that irrigates on its own, it is ideal for irrigation of large green areas and sports fields, but also nurseries and gardens. Thanks to its compact design and the little maintenance required, the Irritrol tractor is an innovative easy-to-use product.



## Operation

The WT118 starts moving as soon as the water supply is turned on and is slowly drawn on the grass, along the previously laid out nylon cable. At the end of the designated area the WT118 automatically stops water flow and irrigation.



## Features

- Travelling speed: 10 – 20 m/h
- Definition of the area to irrigate
- The water flow is adjustable for better adaptation to different applications
- Water distribution is uniform thanks to the accuracy of the sprinkler located on the tractor and the constant speed of the vehicle
- The sealed gears have a very low friction factor and are therefore practically maintenance free
- Using a part circle sprinkler the WT118 always travels on dry grass

## Specification

- Width of irrigation: 28,0 – 36,0 m
- Length of irrigation: 120 m
- Water consumption: 50 l/min
- Operating pressure: min 3,0 bar at unit
- Total weight: 27Kg
- Overall measurements: 77x47x40 cm
- The hose is not included with the sprinkler:
  - Diameter: 1"
  - Length minimum: 60 m

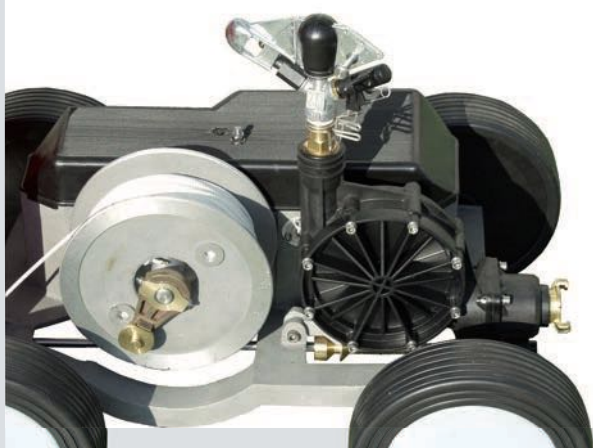




## Performance

Nozzle	3,0 bar		4,0 bar		5,0 bar		6,0 bar		7,0 bar	
	Radius (m)	Water consumption (m <sup>3</sup> /h)	Radius (m)	Water consumption (m <sup>3</sup> /h)	Radius (m)	Water consumption (m <sup>3</sup> /h)	Radius (m)	Water consumption (m <sup>3</sup> /h)	Radius (m)	Water consumption (m <sup>3</sup> /h)
7	17,8	3,0	18,8	3,49	19,8	4,09	20,8	4,44	21,8	4,61

Nozzle	Operating pressure (bar)	Speed (m/h)	Water consumption (m <sup>3</sup> /h)
7	4	10	3,2
	5		↓
	6	22	↓
	7		4,2



## Codification

Code	Description
WT118	Water Tractor









# Hercules Valve Boxes



**H**ERCULES is the new Irritrol's valve boxes range, a whole brand created to join together maximum protection of underground systems (valves and related instruments), and handiness of use, with ease of installation and adjustment for existent or new irrigation systems.



Load up to 1.5 tons

## Features

Resistance

Versatility

Range in line with the standard EN124, designed to support loads of up to 1.5 tons

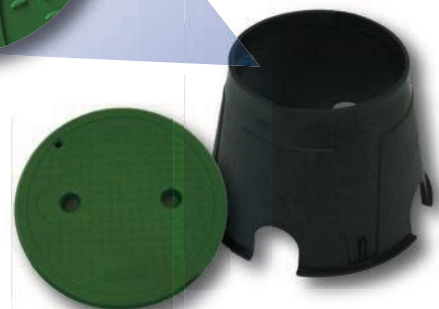
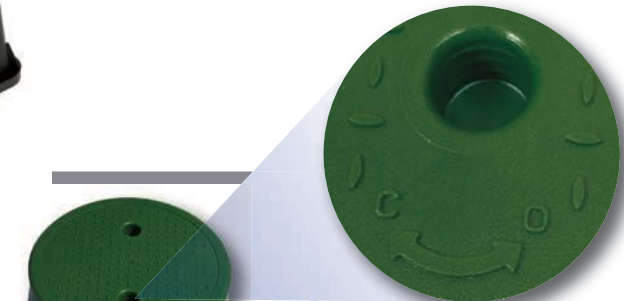
### Circular models:

#### Lid:

- Double-hole handle, with opening direction indicated
- Bayonet coupling system, with optional locking screw
- Circular border covering the body, rapid positioning and water/earth entrance prevention
- Anti-slip surface
- Grass green color

#### Body:

- Conical shape, for underground fastness
- Reinforced wall thickness against structural collapse
- Ready to use pipe inlet slots, easily enlargeable



Patented design: UAMI No. 002417675

# Hercules Valve Boxes

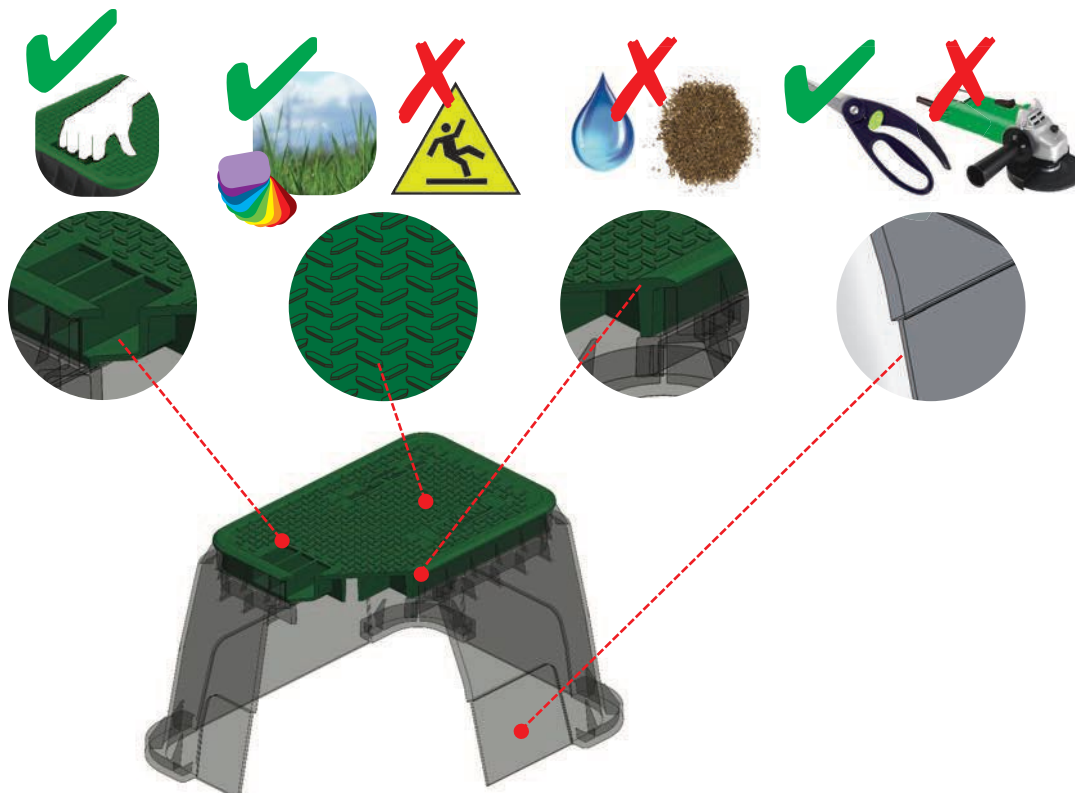
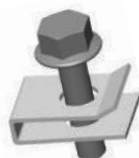
## Rectangular models:

### Lid:

- Access handle for easy opening
- Perimetric border covering the body, rapid positioning and water/earth entrance prevention
- Optional locking screw
- Anti-slip surface
- Grass green color

### Body:

- Oblique shape for underground fastness
- Innovative wall design for rapid and safe opening for tube entrances, without the necessity of electric power on site
- Reinforced angles against structural collapse



Patented design: UAMI No. 002417675

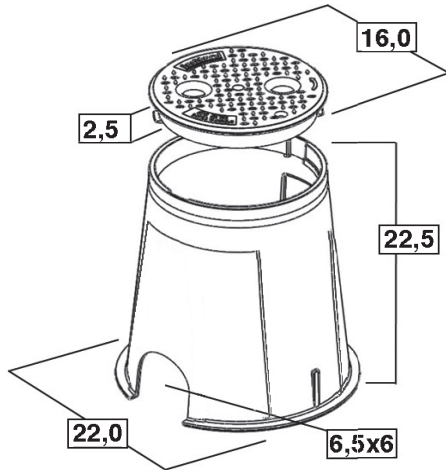
# Hercules Valve Boxes

## Round model sizes

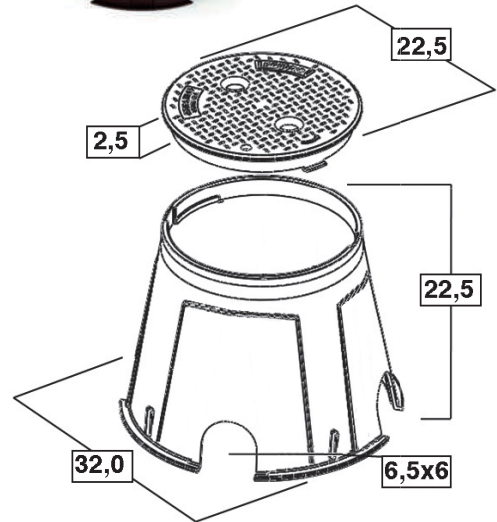
The sizes are expressed in cm



**SMALL  
ROUND**



**MEDIUM  
ROUND**

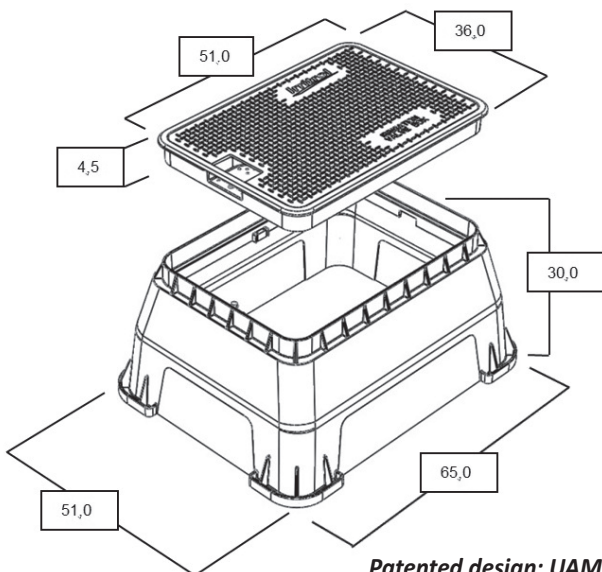


## Rectangular model sizes

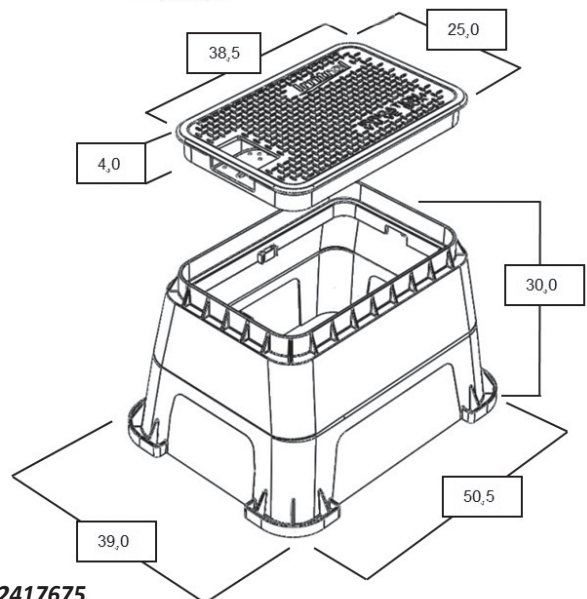
The sizes are expressed in cm



**STANDARD  
RECTANGULAR**



**JUMBO  
RECTANGULAR**



Patented design: UAMI No. 002417675



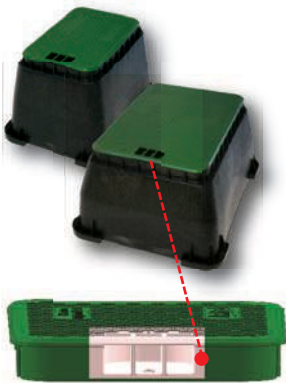
## Codification



### Basic models without holes

Code	Description
<b>EU-HCS</b>	EU-HCS Small circular*
<b>EU-HCM</b>	EU-HCM Medium circular*
<b>EU-HRS</b>	EU-HRS Standard rectangular
<b>EU-HRJ</b>	EU-HRJ Jumbo rectangular
<b>EU-HCSL</b>	EU-HCSL Small circular lid*
<b>EU-HCML</b>	EU-HCML Medium circular lid *
<b>EU-HRSL</b>	EU-HRSL Standard rectangular lid
<b>EU-HRJL</b>	EU-HRJL Jumbo rectangular lid

\* Optional tightening after manual hole drilling and EU-HCK locking kit purchasable separately



### Models with one hole - *EU-HRK locking kit not included*

Code	Description
<b>EU-HRSO</b>	EU-HRSO Standard rectangular with one hole
<b>EU-HRJO</b>	EU-HRJO Jumbo rectangular with one hole
<b>EU-HRSLO</b>	EU-HRSLO Standard rectangular lid with one hole
<b>EU-HRJLO</b>	EU-HRJLO Jumbo rectangular lid with one hole



### Models with multiple holes (tightening hole and ventilation holes) *EU-HRK locking kit not included*

Code	Description
<b>EU-HRSM</b>	EU-HRSM Standard rectangular with multiple holes
<b>EU-HRJM</b>	EU-HRJM Jumbo rectangular with multiple holes
<b>EU-HRSLM</b>	EU-HRSLM Standard rectangular lid with multiple holes
<b>EU-HRJLM</b>	EU-HRJLM Jumbo rectangular lid with multiple holes

### Accessories



Code	Description
<b>EU-HCK</b>	EU-HCK locking kit for round models (M5x35 screw + M5x8 hexagonal nut)
<b>EU-HRK</b>	EU-HRK locking kit for rectangular models (M6x25 hexagonal bolt + M6 G 24x16x11 plate)
<b>EU-HRC</b>	EU-HRC Cable holder for rectangular models

Customisable lid - contact us for details

Patented design: UAMI No. 002417675

# Climate Logic

Wireless system for measuring evapotranspiration in your garden



## Features

- Adjustment of the water budget per program
- Possibility of going over 100% of the water budget if necessary
- Possibility of deciding during the day when to start and/or stop irrigation (0-24 hours)
- Possibility of defining the time interval on which to base evapotranspiration calculation (1-7 days)
- Automatic system shutdown in case of rain or very low temperatures
- Definition of the system reactivation times after a thunderstorm or frost
- Storage of all the daily data collected for 2 years

## Components

### 1. Weather transmitter:

Collects the data from the sensors and sends them to the receiver module

Composed of:

- Rain sensor
- Air temperature sensor
- Solar radiation sensor

### 2. Receiver module:

Converts the data received and adds them to those of the database taking as reference the meteorological data of the worst month for the place where it is located

Modifies the water budget data of the control unit

Connected to the control unit with only one adapter cable

### 3. SD Meteo Card:

Database that contains the European meteorological data of the last 10 years

The place where it is located is identified by entering the latitude and the longitude

## Technical Specifications

- Connection via radio for easy and fast wireless installation
  - Maximum distance of 300 metres for the radio connection between the weather transmitter and the receiver module
- Control of several receiver modules with only one weather transmitter
  - System compatible with:
    - Kwik Dial
    - Rain Dial (also the old model)
    - Total Control (also the old model)
    - MC-E
- Automatic identification of the receiver module with the control unit used

## Electrical Specifications

- Weather transmitter:
  - 9V battery (lifetime 5 years)
  - Sustainable temperature between -10° and +60°C
- Receiver module:
  - Power supply from the control unit 5VDC
  - The same model for both indoors and outdoors

## Options

- Remote control with simple ON/OFF functions that communicates directly with the receiver module (maximum distance 300 metres). Work also without Climate Logic.

### Remote Control Kit



Cable adapter

Mini-receiver

## Codification

Code	Description
<b>CL-100W-EU</b>	Climate Logic system, weather transmitter, receiver module and adapter cable
<b>CL-WI-EU</b>	Weather transmitter for Climate Logic
<b>CL-MI-EU</b>	Receiver module for Climate Logic
<b>R-100-KIT-EU</b>	Remote control kit, mini receiver and adapter cable



# Rain Sensors



## RS500 - Hard-wired model

- Fully adjustable shutoff points from 3-25mm of accumulated rainfall
- Compatible with virtually all controllers
- 7,6 m cable (white, UV resistant, UL-rated) provides installation flexibility

## RS1000 - Wireless model

- Fully adjustable shutoff points from 3-25mm of accumulated rainfall
- Compatible with nearly all 24VAC controllers
- Enhanced communication and signal link integrity features
- 91,4 m transmission range offers virtually limitless installation options
- Easy, versatile one-piece mounting requires no special tools.
- Signal strength indicator
- Smart Bypass™ for easy system override – sensor switches back automatically on next activation
- Slide-snap-on cover protects receiver from the elements
- Five-year battery life



## RSF1000 – Wireless model (Rain/Freeze)



- Rain and freeze sensors fully integrated into one unit
- Digital, highly accurate 5°C activation point

## Operating specifications

- Sensor type: industry-standard hygroscopic discs
- Operating temperature: from -29°C to +49°C
- Materials: UV-resistant engineered polymer
- Wireless only features:
  - Transmission range: up to 91,4 m line of sight
  - Battery: two CR2032 da 3V cells

## Electrical specifications

- Receiver power: 22-28VCA, 100 mA (to be used with class 2, UL-approved transformer)
- Load rating: normally open or normally closed (3A@24VCA)
- UL listed

## Codification

### Shutoff Point

1/8"	Rainfall 3 mm
1/4"	Rainfall 6 mm
1/2"	Rainfall 13 mm
3/4"	Rainfall 19 mm
1"	Rainfall 25 mm

Code	Description
RS500	Irritrol rain sensor wired (length 7,6m)
RS1000-I	Irritrol rain sensor wireless
RFS1000-I	Irritrol rain and freeze sensor wireless

# Pressure Regulators

## Features

- Ideal for areas where there are low flow and low pressure requirements and the incoming supply pressure is variable.
- The plunger and valve assembly are constructed of DuPont ZYTEL for longer life and constant operation
- Body in high quality ABS plastic, sonic welded for extra security
- Silicone O-rings for reduced pressure loss
- Stainless steel return springs.



## Specifications

- Inlet: 3/4" male and female threaded
- Operating pressure: 1,4 – 7,0 bar

Model 15

Inlet pressure (bar)	Outlet pressure (bar)				
1,4	0,87	1,22	1,07	0,90	0,87
2,1	1,21	1,38	1,35	1,19	1,19
2,8	1,44	1,42	1,35	1,24	1,22
3,4	1,48	1,43	1,34	1,25	1,19
4,1	1,47	1,45	1,32	1,23	1,18
4,8	1,47	1,46	1,32	1,19	1,15
5,5	1,47	1,46	1,32	1,17	1,13
6,2	1,46	1,49	1,31	1,16	1,15
6,9	1,44	1,46	1,31	1,16	1,15
l/min	3,8	7,6	15,1	22,7	30,3

Model 19

Inlet pressure (bar)	Outlet pressure (bar)				
1,4	1,04	1,30	1,03	0,76	0,57
2,1	1,34	1,50	1,39	1,05	0,79
2,8	1,51	1,58	1,51	1,33	1,03
3,4	1,59	1,56	1,51	1,41	1,23
4,1	1,61	1,55	1,48	1,41	1,34
4,8	1,59	1,52	1,46	1,37	1,30
5,5	1,59	1,51	1,44	1,35	1,26
6,2	1,55	1,49	1,41	1,35	1,26
6,9	1,50	1,48	1,38	1,32	1,23
l/min	3,8	7,6	15,1	22,7	30,3

Model 25

Inlet pressure (bar)	Outlet pressure (bar)				
1,4	1,33	1,36	1,30	1,20	1,06
2,1	2,02	1,92	1,78	1,63	1,47
2,8	2,08	2,01	1,90	1,80	1,69
3,4	2,13	2,01	1,91	1,82	1,73
4,1	2,14	2,01	1,92	1,80	1,72
4,8	2,14	1,97	1,93	1,77	1,69
5,5	2,09	1,97	1,92	1,76	1,67
6,2	2,07	1,88	1,94	1,76	1,66
6,9	2,01	1,88	1,95	1,75	1,63
l/min	3,8	7,6	15,1	22,7	30,3

## Codification

Code	Description
IT-VRR202015I	Pre-set pressure regulator 3/4", model 15
IT-VRR202019I	Pre-set pressure regulator 3/4", model 19
IT-VRR202025I	Pre-set pressure regulator 3/4", model 25

# Lasco PVC



## Features

- Assembly of valves in a group more quickly and without the use of Teflon
- "Valve Connection" sliding without the need to add new parts
- O-ring that guarantees the absence of dripping
- Cannot be used in piping systems with compressed air or gas

## Specifications

- Thread: 1"
- Operating pressure: 10,0 bar

## Codification

Lasco PVC manifolds for valves with male thread

Code	Description
<b>1301-010</b>	Lasco manifold Tee 1" - Swivel + one connection valve + male thread
<b>1301-210</b>	Lasco manifold Double Tee 1" - Swivel + two connections valve + male thread
<b>1301-310</b>	Lasco manifold Triple Tee 1" - Swivel + three connections valve + male thread
<b>1301-410</b>	Lasco manifold Quadruple Tee 1" - Swivel + four connections valve + male thread
<b>1303-010</b>	Lasco 1" T-manifold - ring nut + two valve connections + male thread
<b>1306-010</b>	Lasco manifold Elbow 1" - male thread + one connection valve
<b>1312-010</b>	Lasco 1" elbow manifold - ring nut + one valve connection + male thread
<b>1320-010</b>	Lasco manifold Cross 1" - Swivel + two connections valve + male thread



# Lasco PVC



1201-010



1201-210



1201-310



1201-410



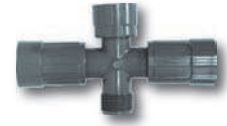
1203-010



1206-010



1212-010



1220-010



1239-131



1282-010



1282-131



## Attention

- To modify these products drops the two years warranty
- Don't use harmful products to PVC

## Codification

Lasco PVC manifolds for valves with female thread

Code	Description
1201-010	Lasco 1" T-manifold - ring nut + one valve connection + female thread
1201-210	Lasco 1" double T-manifold - ring nut + two valve connections + female thread
1201-310	Lasco 1" triple T-manifold - ring nut + three valve connections + female thread
1201-410	Lasco 1" quadruple T-manifold - ring nut + four valve connections + female thread
1203-010	Lasco 1" T-manifold - ring nut + two valve connections + female thread
1206-010	Lasco 1" elbow manifold - male thread + one valve connection + female thread
1212-010	Lasco 1" elbow manifold - ring nut + one valve connection + female thread
1220-010	Lasco 1" cross-manifold - ring nut + two valve connections + female thread
1239-131	Lasco adaptor 1" Male x 3/4" Female
1282-010	Lasco adaptor 1" Male x 1" Male
1282-131	Lasco adaptor 1" Male x 3/4" Male

# Blue Twister



3100-005



3101-004



3300-005  
3300-007



3201-004



3302-005



3400-005  
3400-007

## Specifications

- Sprinkler inlet: 1/2" e 3/4"
- To use with Super Blue Flex Hose or other pipes in PE with an internal diameter of 12,5 mm and a thickness
- Max operating pressure: 7,0 bar

## Features

- Double helix inlet self-tapping
- Easy and quick installation; Just twist the pipe and let the Double Helix pull the pipe onto the fitting
- No special tool required
- Materials: acetalic
- Patent pending

## Codification

Code	Description
<b>3100-005</b>	Lasco Blue Twister manifold - Tee 1/2" male + two x double helix inlet male
<b>3101-004</b>	Lasco Blue Twister manifold - Tee 1/2" male + three x double helix inlet male
<b>3300-005</b>	Lasco Blue Twister manifold - Elbow 1/2" male + one double helix inlet male
<b>3300-007</b>	Lasco Blue Twister manifold - Elbow 3/4" male + one double helix inlet male
<b>3302-005</b>	Lasco Blue Twister manifold - Elbow 1/2" female + one double helix inlet male
<b>3201-004</b>	Lasco Blue Twister joint 1/2" male + two x double helix inlet male
<b>3400-005</b>	Lasco Blue Twister joint 1/2" male + one x double helix inlet male
<b>3400-007</b>	Lasco Blue Twister joint 3/4" male + one x double helix inlet male

# Swivel fittings



IT-FPT9224



IT-FPT9260



IT-FPE9218



IT-FPE9220



IT-FPC9232  
IT-FPC9265



IT-FPN9270  
IT-FPN9271

## Features

- Quick valve installation thanks the swivel joints (SJ)
- Tee and elbow models
- Material: polypropylene

## Specifications

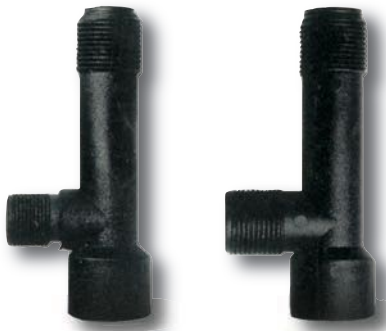
Thread: 1"

## Codification

Code	Description
<b>IT-FPT9260</b>	Modular Tee fitting 1"Mx1"SJx1"SJ with O-ring
<b>IT-FPT9224</b>	Modular Tee fitting 1"SJx1"SJx1"SJ with O-ring
<b>IT-FPC9232</b>	Modular compression fitting $\varnothing$ 32mmx1"SJ (female thread)
<b>IT-FPC9265</b>	Modular compression fitting $\varnothing$ 25mmx1"SJ (female thread)
<b>IT-FPE9218</b>	Modular elbow fitting 90° 1"SJx1"SJ
<b>IT-FPE9220</b>	Modular elbow fitting 90° 1"Mx1"SJ
<b>IT-FPN9270</b>	Nipple 1"Mx1"M with O-ring
<b>IT-FPN9271</b>	Nipple 1"Mx3/4"M with O-ring



# Modular manifold



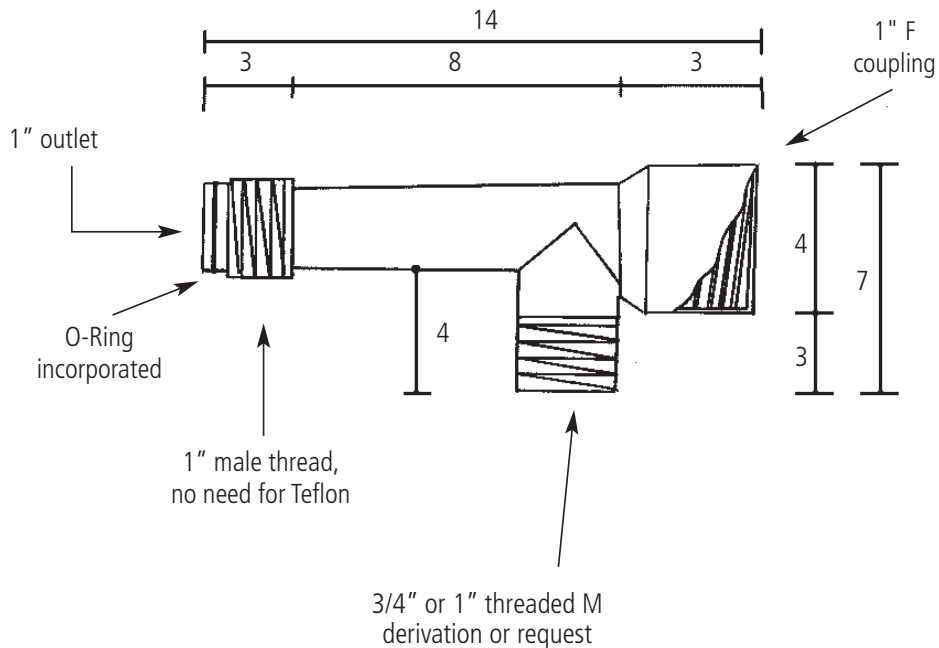
## Features

- Quick assembly of valve groups, without needing Teflon or adhesives
- Seal O-ring allows rotation of manifolds without leaks
- Simplifies servicing

## Specifications

- 2 models:
  - Thread: 1" F x 3/4" M x 1" M
  - Thread: 1" F x 1" M x 1" M

### MANIFOLD DIMENSIONS (cm.)



## Codification

Code	Description
EU-FMV020-I	Modular manifold 1" F x 3/4" M x 1" M
EU-FMV025-I	Modular manifold 1" F x 1" M x 1" M

# Super Blue Flex Hose

## Features

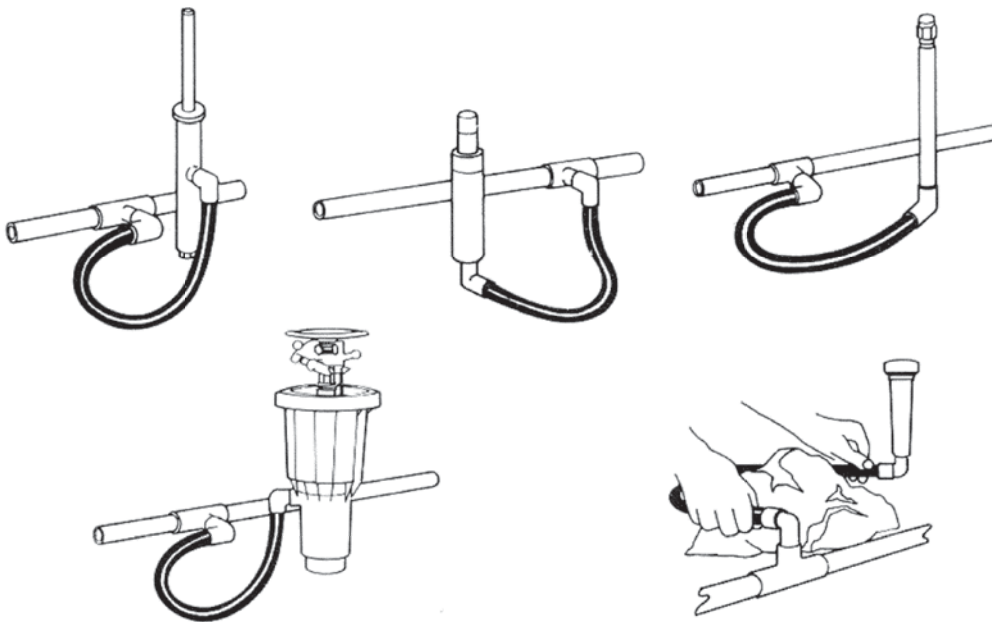
- Very low density polyethylene
- High flexibility
- The reels are wound to allow unwinding from center of coil
- Compatible with all fittings ranges of: Toro, Rain Bird, Olson E-Z-Ell, Dura



## Specifications

- Reel length: 30 m
- Inside tube diameter 12,5 mm
- Minimum wall thickness 2,4 mm
- Maximum working pressure, 5,5 bar at 35°C

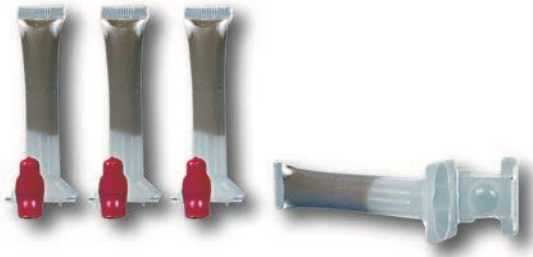
## EXAMPLES OF INSTALLATION



## Codification

Code	Description
<b>EHD1295-010-D</b>	Super Blue Flex Hose – flexible reel 30 m

# Waterproof connector



## Features

- Waterproof connection
- Operating temperature: 105°C maximum
- Housing section cables: 2, 5, 6, 10 mm<sup>2</sup>
- For cables with section less than 1 mm<sup>2</sup> is necessary strip, fold them on themselves, rolling them into and put them in yellow clamp

## Specifications

- Yellow clamps: 2 – 6 mm<sup>2</sup>
- Red clamps: 5 – 10 mm<sup>2</sup>
- Suitable for electrical connection up to 30 V

## Codification

Code	Description
<b>IT-VCCDBY</b>	Plastic tube with insulating Gel for yellow clamp. Section 2-6 mm <sup>2</sup>
<b>IT-VCCDBR</b>	Plastic tube with insulating Gel for red clamp. Section 5-10 mm <sup>2</sup>

# Blazing waterproof connectors

## Features

- Superior wire restraint and an ease of use that is unrivaled
- Filled with high grade silicone that won't harden or run



## Specifications

- Blue connector for cable from 0,5 to 1,5mm<sup>2</sup>
- Yellow connector for flexible cable from 0,5 to 1,5 mm<sup>2</sup> and stiff cable from 2,0 to 3,5 mm<sup>2</sup>
- Suitable for electrical system up to 50V – 10 A
- Resistant to temperatures up to 107°C
- UL486D listed (CEI EN 60947-7-1/-2)

## Codification

Code	Description
<b>BVS-1</b>	Blazing waterproof connector 0,5 – 1,5 mm <sup>2</sup> - Blue
<b>BVS-2</b>	Blazing waterproof connector 0,5 – 3,5 mm <sup>2</sup> - Yellow



# Cut-off risers

## Features

- To connect directly to the sprinkler
- Possibility of cut to any height
- Also used with the bubbler



EU-TPR1515-1



EU-TPR1520-1  
EU-TPR15201



EU-TPR2020-1

## Specifications

Thread: 3/4" e 1/2"

## Codification

Code	Description
<b>EU-TPR1515-I</b>	Cut off riser 1/2"x1/2"
<b>EU-TPR1520-I</b>	Cut off riser 1/2"x3/4"
<b>EU-TPR1520I</b>	Cut off riser to screwing 1/2"x3/4"
<b>EU-TPR2020-I</b>	Cut off riser 3/4"x3/4"

# Blazing saddles

## Features

- Made of high impact ABS
- Reduction of the costs of labor and training of coring
- Quick installation to tap polyethylene pipe or PVC
- No special tool required

## Specifications

- Thread: 1/2" e 3/4"
- Tested to over 1 million on/off cycles, to 4,2 bar without leak



## Codification

Code	Description
<b>BS2550</b>	Blazing Saddle for pipe ø 25 mm – 1/2" female
<b>BS2575</b>	Blazing Saddle for pipe ø 25 mm – 3/4" female
<b>BS2590</b>	Blazing Saddle for pipe ø 25 mm – with graft 3/8" for Blue Flex Hose
<b>BS3350</b>	Blazing Saddle for pipe ø 33 mm – 1/2" female
<b>BS3375</b>	Blazing Saddle for pipe ø 33 mm – 3/4" female
<b>BS3390</b>	Blazing Saddle for pipe ø 33 mm – with graft 3/8" for Blue Flex Hose
<b>BS4050</b>	Blazing Saddle for pipe ø 33 mm – 1/2" female
<b>BS4075</b>	Blazing Saddle for pipe ø 40 mm – 3/4" female
<b>BS4090</b>	Blazing Saddle for pipe ø 40 mm – with graft 3/8" for Blue Flex Hose

# Self-threading elbow



## Features

- Automatic threading of the hose onto the elbow union
- No Teflon or adhesives required
- 90° design for easy installation
- Use it with Super Blue Flex Hose

## Specifications

- Thread: 1/2" e 3/4" male
- Maximum operating pressure: 7,0 bar

## Codification

Code	Description
<b>IT-FEM1515</b>	1/2" Self-threading Elbow 90° for Super Blue Flex Hose
<b>IT-FEM2015</b>	3/4" Self-threading Elbow 90° for Super Blue Flex Hose

# Blazing Elbow



## Features

- Drainage fittings
- Automatic threading of the hose onto the elbow union
- No special tools required
- 90° design for easy installation

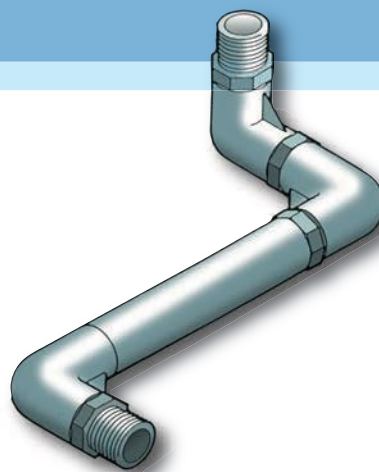
## Specifications

- Thread: 1/2" e 3/4" male

## Codification

Code	Description
<b>FP1800</b>	Blazing Drainage Elbow – graft 1/2" male
<b>FP1900</b>	Blazing Drainage Elbow – graft 3/4" male

# Swing joint



## Features

- Body in Hi-Impact PVC
- 360° rotation in three directions
- Essential for perfect ground leveling of sprinklers
- Ready-made assembly that simplifies and speeds up installation of irrigation systems

## Specifications

- Thread: 1" e 1 1/2" male
- Maximum operating pressure: 13,6 bar at 22°C

## Codification

Code	Description
IT-TPK025	Swing Joint of 2 x 1" male, 30,5 cm
IT-TPK040	Swing Joint of 2 x 1 1/2" male, 30,5 cm

# Antivandalism union



## Features

- Prevents malfunction of the system due to tampering

## Specifications

- Thread: 1/2" e 3/4"

## Codification

Code	Description
TAV015	Antivandalism Union 1/2"M x 3/4"F
TAV020	Antivandalism Union 3/4"M x 3/4"F



# Blazing cutters



## Features

- Adjustability to cut the polyethylene pipe and PVC of different dimensions
- Ensuring a clean, precise and straight cut

## Specifications

Pipes: 25, 40, 50 mm

## Codification

Code	Description
<b>SB3300</b>	Blazing Adjustable Cutter for polyethylene pipe (40mm) and PVC (25mm)
<b>BL2000</b>	Replacement blade for SB3300 cutter model
<b>RC1000</b>	Blazing Economic Cutter (for pipe 40 mm)
<b>BLRC50</b>	Replacement blade for RC5000 cutter model
<b>BLRC70</b>	Replacement blade for RC7000 model

# Check valve



## Features

- Prevents low head drainage for sprinklers located on slopes
- Permits an immediate lock after watering has been complete
- Material: plastic

## Specifications

- Thread: 1/2", 3/4"
- Adjustment: 0,12-0,96 bar
- Shuts off when the pressure drops below 0,4 bar
- Turning clockwise increases the shut off pressure by about 0,12 bar each turn

## Codification

Code	Description
<b>IT-VHCV015</b>	Check Valve 1/2" in plastic
<b>IT-VHCV020</b>	Check Valve 3/4" in plastic

# Drain valve



## Features

- Used to drain out the piping after watering has been complete
- Materials: plastic or bronze

## Specifications

- Thread: 1/2"
- One spring automatically opens the valve when the pressure drops below 0,2 bar

## Codification

Code	Description
IT-VAD0150	Drain valve 1/2" in bronze

# Blazing drains valves

## Features

- Gradual drainage avoids soggy patches
- Turbulent flushing action with every on/off cycle
- When the irrigation system pressure is off the EPDM ball seats in new orientation every cycle
- Made of High Grade ABS material

## Specifications

- Inlet: 1/2" and 3/4" male
- Automatically opens when the pressure drops below 7,0 – 1,0 bar



HP 2000



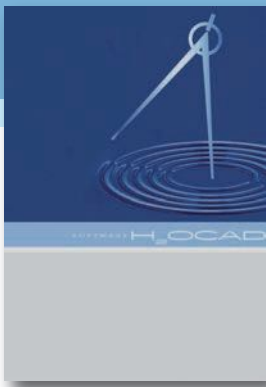
HP 3000  
HP 4000



SD 1000

## Codification

Code	Description
HP2000	Blazing drain valve for lateral line – 1/2" male
HP3000	Blazing drain valve for lateral line – 3/4" male
HP4000	Blazing drain valve for main line – 1/2" male
SD1000	Blazing siphon drain



# H<sub>2</sub>OCAD®

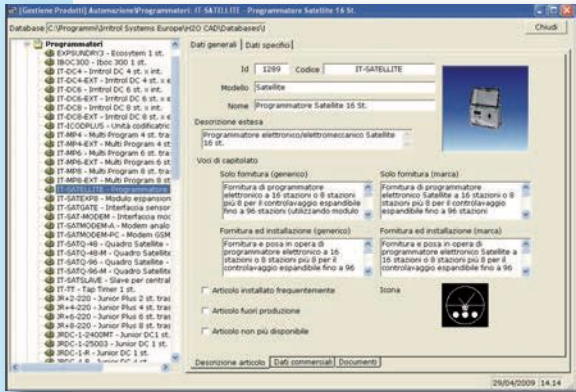
the software to design irrigation systems

**H**<sub>2</sub>OCAD® comes from the union of experiences Toro Ag Irrigation, Irritrol Systems, Alpha Consult and NovacomItalia. This software is an integrated application created to make the process of design irrigation systems (both agriculture and turf) easier.

In fact H<sub>2</sub>OCAD® is able to integrate its calculation softwares needed for the design of any irrigation system: pressure loss, ETP (as per FAO formula), electrical cables sizing, pumps sizing, irrigation areas sizing, system water needs, etc.

In the meantime, thanks to important database on which this software is based (more than 1.500 products, more than 1.500 varieties of plants, more than 8.000 crops and hundreds climatic data), you can automate all the individual project phases of the process.

Innovativeness, completeness, efficiency and effectiveness of design make H<sub>2</sub>OCAD® a unique product.

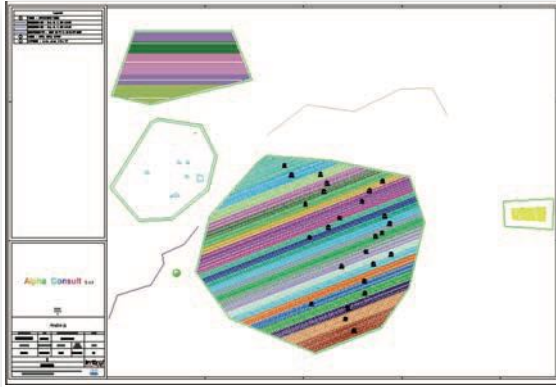


Product Database

SOFTWARE







**Final window  
of the project**

## Features

### High degree of automation of the design process

The software can automate different operations by facilitating the position of the sprinklers and drip-lines both along and inside the irrigation perimeter

### Prices and costs management

Through this software is possible to manage a variety of costs over product cost communicated by supplier, such as those related to transport, general overheads of the business or labour required.

### Planimetry

Inside the database the starting planimetry of the project and the post inspection planimetry (with all informations and the corresponding symbols founded during the field inspection) will always be available.

### Precision in project design

The software allows to proceed with the design of all project components: pipes, electrical cables, excavations and accessories.

### Print

The software has a procedure for projects printing that allows to create an high professional layout with logo, legend and cartouche.

**The new release of H<sub>2</sub>OCAD® 3.0  
will be available soon.**

Ask your Sales Manager  
for more information.



# Promotional Items

## Literature

Code	Description
<b>IT-QMINISAT-X</b>	Sell Sheet Minisat
<b>IT-QIPN-R-X</b>	Sell Sheet Rotary Nozzles
<b>IT-QCL-X</b>	Sell Sheet Climate Logic
<i>"X" = Language: English (E), French (F), Spanish (S), German (G), Russian (R)</i>	
<b>IT-QCATIR-X/I5</b>	Irritrol Catalogue 2015
<b>IT-QEPIC-X</b>	Sell Sheet E-pic
<b>IT-QHER-X</b>	Sell Sheet Hercules
<i>"X" = Language: English (E), French (F), Spanish (S), Russian (R)</i>	
<b>IT-QSPORTE</b>	Sell Sheet Sport field, English
<b>IT-QMKTP25-X</b>	Sell Sheet 2400/2500 & 200B Valves
<b>IT-QMKTP36-X</b>	Sell Sheet Century Plus/OmniReg
<b>IT-QMKTP37-X</b>	Sell Sheet F Series Filter for Turf / Valve Series 700 Ultraflow
<b>IT-QMKTP39-X</b>	Sell Sheet Euro Valves
<b>IT-QMKTP44-X</b>	Sell Sheet Cr500 Rotor
<b>IT-QMKTP45-X</b>	Sell Sheet SL Spray Head
<b>IT-QMKTP47-X</b>	Sell Sheet Kwik Dial
<b>IT-QMKTP51-X</b>	Sell Sheet Titan/Junior DC
<b>IT-QMKTP54-X</b>	Sell Sheet Junior Max
<b>IT-QMKTP55-X</b>	Sell Sheet Tap timer, wireless rain sensor series
<b>IT-QMKTP56-X</b>	Sell Sheet Valves Series S/Nozzle Pro-Van
<b>IT-QIPRO-X</b>	Sell Sheet I-Pro
<b>IT-QIPRON-X</b>	Sell Sheet Nozzle I-Pro
<b>IT-Q430-PLAT-X</b>	Sell Sheet 430R and Platinum
<b>IT-QRD07-X</b>	Sell Sheet New Rain Dial
<b>IT-Q550R-X</b>	Sell Sheet 550R-SC
<i>"X" = Language: English (E), French (F), German (G)</i>	



## Merchandising

Code	Description
<b>IT-QMIGMA2</b>	Irritrol T-Shirt
<b>IT-QSHIRTIPN</b>	Rotary Nozzles T-Shirt
<b>IT-QMIGMA5</b>	Irritrol Polo Shirt
<b>IT-QMUGCA2</b>	Irritrol Cap
<b>IT-QIRJACK</b>	Irritrol Jacket
<b>IT-QGILIR</b>	Irritrol Gilet
<b>IT-QIRFEL</b>	Irritrol Plush
<b>IT-QPANIPN</b>	Rotary Nozzles short pants
<b>IT-QCOVIPN</b>	Rotary Nozzles table cover
<b>IT-QMIGRAI</b>	Irritrol Binder
<b>IT-QMKRIG</b>	Irritrol plastic ruler (20 cm)
<b>IT-QMKMP</b>	Mouse Pad Irritrol
<b>IT-QMIGTAI</b>	Irritrol Doormat
<b>IT-QMIGCAL</b>	Irritrol Calculator
<b>IT-QIRRFOL</b>	Irritrol New Folder
<b>IT-QMIGPB</b>	Irritrol Note-Pad
<b>IT-QMIGPE</b>	Irritrol Pen
<b>IT-QSHOP-IR</b>	Irritrol plastic shopper
<b>IT-QMUGSTI</b>	Irritrol Banner in flexible in PVC (1,8x0,6m)
<b>IT-QMKES</b>	Irritrol Counter display
<b>IT-QVFLAG-IR</b>	Irritrol Vertical flag
<b>IT-QMUGBAI</b>	Position Flag for Sprinklers, red colour
<b>IT-QMUGBA2</b>	Position Flag for Sprinklers, white colour
<b>IT-QMUGBA3</b>	Position Flag for Sprinklers, green colour
<b>IT-QIRAD-1912</b>	Irritrol Adhesive (19x12cm)
<b>IT-QIRAD-104</b>	Irritrol Adhesive (10x4,4cm)
<b>IT-QIRAD-52</b>	Irritrol Adhesive (5x2,2cm)
<b>IT-QI-PROPOS-1</b>	Poster I-PRO (70x100 cm)
<b>IT-QI-PROPOS-2</b>	Poster I-PRO (50x70 cm)
<b>IT-Q550RPOS</b>	Poster 550R (70x100 cm)
<b>IT-QVALPOS</b>	Poster Richdel Valves (70x100 cm)
<b>IT-QRDPOS</b>	Poster New Rain Dial (70x100 cm)
<b>IT-QIRRPOST</b>	Poster Irritrol (70x100 cm)
<b>IT-QIRRPOST-I</b>	Poster Irritrol (50x70 cm)
<b>IT-QMKTP17</b>	Poster "Landscaping" (50x70 cm)
<b>T-QMKTP17-P</b>	Poster "Landscaping" (35x50 cm)
<b>IT-QEPIC-ESP</b>	Bench Exhibiting box for 6 E-pic valves (to be combined with IT-QEPIC-SUP)
<b>IT-QEPIC-SUP</b>	Support for 6 E-pic valves (to be combined with IT-QEPIC-ESP)
<b>IT-QHERCUT</b>	Hercules cutter
<b>IT-QHERPOS</b>	Hercules poster (50 x 70 cm)





A large rectangular area with a light blue background and a thin blue border, containing horizontal dashed lines for writing.

***Irritrol***<sup>®</sup>



**Irritrol**

**I.S.E. s.r.l.** Via dell'Artigianato, I-3  
00065 Fiano Romano (Roma) • Italy  
Tel. (+39) 0765 40191  
Fax (+39) 0765 455386  
[www.irritrol.it](http://www.irritrol.it)

**YouTube**

[www.youtube.com/ISEontheweb](http://www.youtube.com/ISEontheweb)

