

Installation Instructions

Choose Model

[NT-50SS, NT-30SS & PL-45 Variable Speed](#)

[NT-50SS, NT-30SS & PL-45 Constant Pressure Valve](#)

[FLEX 325 Variable Speed](#)

[FLEX 325 Constant Pressure Valve](#)

PRODUCT INFORMATIONAL BULLETIN

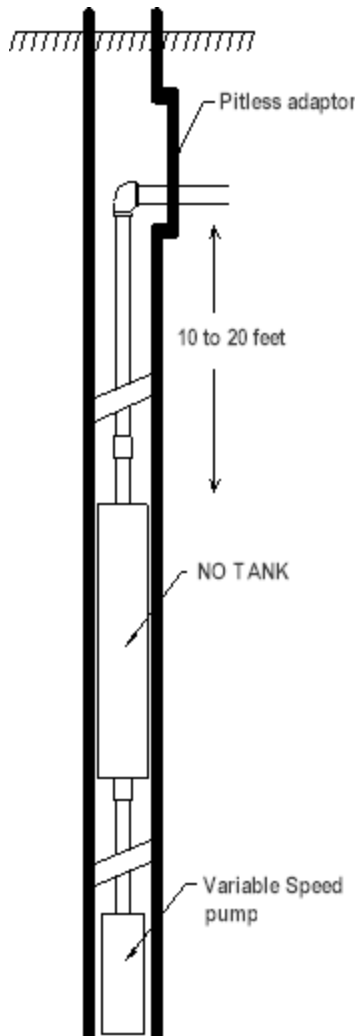
INSTALLATION INSTRUCTIONS Models NT-50SS, NT-30SS & PL-45 NO-TANK with Constant Pressure Pump (Variable Speed)

Inspect NO-TANK for damage and proper tank pressure.

Following are a few simple suggested steps

1. Determine operating pressure of water system and adjust air pressure in **NO-TANK** to pump manufactures recommended pre charge.
2. Pump is set in the well and wired to manufactures recommendation.
3. **NO-TANK** should be located in pump drop pipe 5' to 20' below the pitless adaptor. This will allow the tank to be centered in the well.
4. Install the pressure transducer either at the well or in the home in accordance with pump manufacturers instructions. If there is reference to the transducer being within 6' of pressure tank, disregard. Since **NO-TANK** is directly in line there is no danger of water hammer.
5. Complete piping in accordance with all plumbing and electrical codes.
6. Start systeml.
7. At start up, pump may not function properly until all air is removed from system. Cycle pump several times before any adjustments are made. Once pump is running normally adjust according to desired pressure.
8. Attach information tag supplied to main shut off valve or electrical wire in well.

[Click here](#) to download these instructions in PDF format.



Choose Model

- [NT-50SS, NT-30SS & PL-45 Variable Speed](#)
- [NT-50SS, NT-30SS & PL-45 Constant Pressure Valve](#)
- [FLEX 325 Variable Speed](#)
- [FLEX 325 Constant Pressure Valve](#)

**INSTALLATION INSTRUCTIONS Models NT-50SS, NT-30SS & PL-45
NO-TANK with a Constant Pressure Valve**

Inspect **NO-TANK** for damage and proper tank pressure.

Following are a few simple suggested steps

1. Determine the operating pressure for the water system and make adjustment per chart below.

Constant pressure valve	Tank percharge	Pressure Switch setting FYG1 FYG2
40#	28#	30-56
50#	38#	40-66 50-70
60#	48#	45-71 50-70

2. Pump is set in the well and wired to pump manufactures recommendations. **NO-TANK** with constant pressure valve should be placed 5' to 10' below pitless. The tank and valve will be centered in the well casing. We do not recommend setting the top of the pressure tank lower than 10' since this may result in the constant pressure valve being lower than 20' in the well and could cause low water pressure in the home.

3. Install the constant pressure valve in drop pipe string.

4. Install a pipe nipple between constant pressure valve and **NO-TANK**.

5. Install **NO-TANK**.

6. Install the 5' to 10' final section of pipe above NO-TANK and lower pipe into the well so that the NO-TANK is positioned properly, continue with the normal installation.

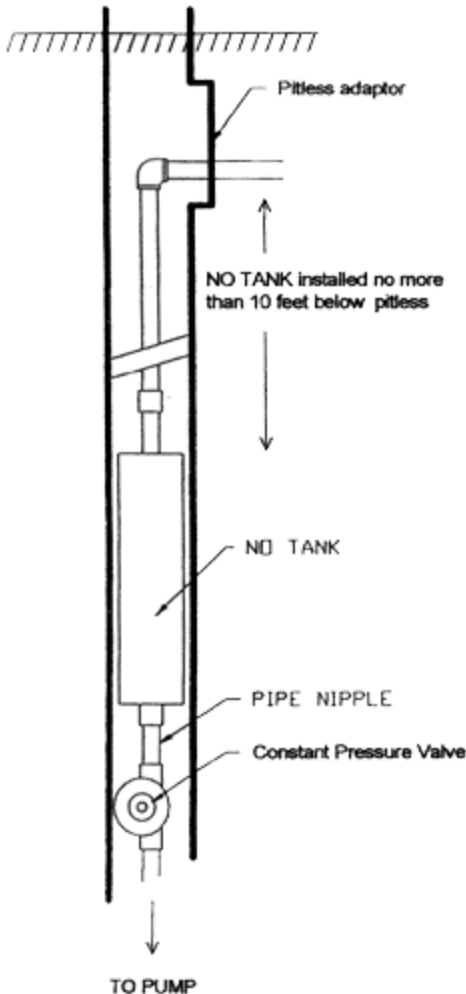
7. Install the pressure switch and other fittings as required. We suggest that SQ-D model FYG2 50-70 be used when either a 50# or 60# Constant pressure valve is used. If a 30-50 or 40-60 model FYG1 is used, then the switch will have to be adjusted as follows: **Adjust the differential setting of the switch to 26PSI. For a 50# valve, the setting should be 40-66 . For a 60# valve, the setting should be 45-71. (If the switch is a SQ D, tighten the short spring three turns. This should increase the differential about 6 pounds.)**

8. Start system; allow system to run a few minutes to remove trapped air from water lines.

9. Close valve, if pump short cycles, increase pressure switch setting slightly until short cycling stops. (This may be a 2 to 5# increase in pressure before the problem is corrected) There is no need to add additional air to **NO-TANK**.

12. Attach Information tag to main shut off valve

[Click here](#) to download these instructions in PDF format.

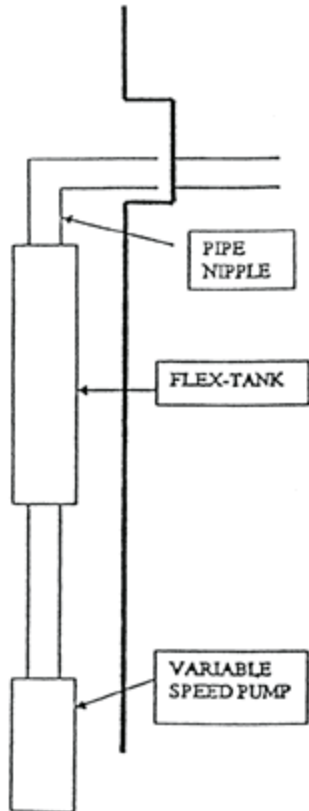


Choose Model
[NT-50SS, NT-30SS & PL-45 Variable Speed](#)
[NT-50SS, NT-30SS & PL-45 Constant Pressure Valve](#)
[FLEX 325 Variable Speed](#)
[FLEX 325 Constant Pressure Valve](#)

**INSTALLATION INSTRUCTIONS for Model FX-325
FLEX-TANK with Constant Pressure Pump (Variable Speed)**

FLEX-TANK can be installed with either end up. If a center discharge pitless is used then have the center discharge end of tank up. If a side discharge pitless is used then the off center end of the tank is up.

Following are a few simple suggested steps



1. FLEX-TANK can be either pre-charged prior to being placed in the well or it can be pre-charged after being placed in the well and before it is set on the pitless adaptor.
2. Determine operating pressure of water system and pre-charge FLEX-TANK to pump manufacturers recommended pre-charge.
3. Pump is set in the well and wired to manufacturers recommendation.
4. Install FLEX-TANK in the drop pipe string. Use holding strap on tank to hold tank while tank is pre-charged and pipe nipple and pitless adaptor is attached.
5. Install the pressure transducer in the home in accordance with pump manufacturers instructions. If there is reference to the transducer being within 6' of pressure tank, disregard. Since FLEX-TANK is directly in line there is no danger of water hammer.
6. Complete piping in accordance with all plumbing and electrical codes.
7. At start up, pump may not function properly until all air is removed from system. Cycle pump several times before any adjustments are made. Once pump is running normally adjust to manufacturers recommendation.
9. Attach information tag supplied to main shut off valve or electrical wire in well.

[Click here](#) to download these instructions in PDF format.

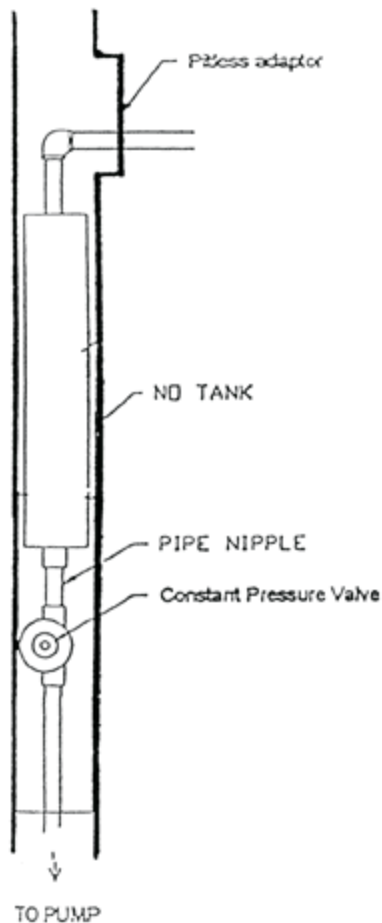
Before you leave the site remember you have just installed FLEX-TANK one of the most advanced water systems designed to meet the customers needs.

Choose Model
[NT-50SS, NT-30SS & PL-45 Variable Speed](#)
[NT-50SS, NT-30SS & PL-45 Constant Pressure Valve](#)
[FLEX 325 Variable Speed](#)
[FLEX 325 Constant Pressure Valve](#)

**INSTALLATION INSTRUCTIONS for Model FX-325
FLEX-TANK with Constant Pressure Valve**

FLEX-TANK can be installed with either end up. If a center discharge pitless is used then have the center discharge end of tank up. If a side discharge pitless is used then the off center end of the tank is up.

1. **FLEX-TANK** can be either pre-charged prior to being placed in the well (this would be required if a center discharge pitless is used) or it can be pre-charged after being placed in the well and before it is set on the pitless adaptor. The **FLEX-TANK** should be precharged to 40PSI, this will be the correct pressure for pressure systems operated at either 50 or 60PSI.
2. Pump is set in the well and wired to manufacturers recommendation.
3. **FLEX-TANK** and constant pressure valve would be located just below the pitless adaptor.
4. Install the constant pressure valve in drop pipe string.



5. Install a pipe nipple between constant pressure valve and **FLEX-TANK**.

6. Install **FLEX-TANK**. Pre charge tank at this point to 40PSI.

7. Install pipe nipple above **FLEX-TANK** and set on pitless adaptor. The pressure switch can be installed at either the well or on the water line in the home or building.

8. Install the pressure switch and other fittings as required. We suggest that a 50-70 switch be used, if it is, there is no need to make any adjustments. If a 40-60 switch is used then the differential needs to be increased. Adjust the differential by tightening the short spring at least 3 turns. The pressure should be 40-66.

9. Start system; allow system to run for a few minutes to remove trapped air from water lines.

10. If pump short cycles at 1 gallon per minute flow rate, increase pressure switch setting slightly until short cycling stops. (This may be a 2 to 5# increase in pressure before the problem is corrected) There is no need to add additional air to the **FLEX-TANK**.

11. Attach information tag supplied to main shut off valve in well.

[Click here](#) to download these instructions in PDF format.

You have just installed FLEX -TANK, one of the most advanced water systems designed to meet the needs of the customer.

PRODUCT INFORMATIONAL BULLETIN

Number 1 July 18, 2003

Placement of check valve when installing the No-Tank.

- When installing the No-Tank, be sure to place the check valve below the pressure tank. If the check valve is installed above the pressure tank, it is possible for the water pressure to increase in the water lines, as the water in the hot water heater is heated.
- It has been brought to our attention, if two or more check valves are installed in the drop pipe, that some pump installers are installing one of the check valves between the constant pressure valve and the pressure tank. Their reasoning is that it reduces the backpressure on the constant pressure valve when the pump is not running. The placement would be constant pressure valve, short nipple, check valve, short nipple, and then the No-Tank.

Cycle Stop Valve release

- Cycle Stop has sent out an informational release, regarding their CSV1 valve, when it is submerged. They are recommending that a $\frac{1}{8}$ " diameter hole should be drilled in the valve, to allow the valve to react to changes in pressure at a faster rate. **IT SHOULD ONLY BE DRILLED THROUGH THE RED LAYER IN THE VALVE.** The red layer is about $\frac{3}{16}$ " thick, then a $\frac{3}{16}$ " space, and then a yellow layer. When the hole is drilled only through the red layer, no water will leak from the valve.

Instructions attached.

(If you have additional questions please contact Cycle Stop at 800-652-0207)

IN-WELL
TECHNOLOGIES INC.

7391 S. Porcupine Lake Rd.
Lena, WI 54139

Toll Free: 920-829-5690
Fax: 920-829-5535
Email: info@inwelltech.com
Web: www.inwelltech.com