

Getting Started

Please refer to the Merillat® Cabinetry Installation Guide for general cabinet installation instructions (if one was not included in your order, download from Merillat.com or contact Customer Care at 866-850-8557).

Tools Required

Standard Installation Tools can be used. Fasteners, leveling and attachment methods are the same as those used in standard sink base installs (see Merillat® Cabinetry Installation Guide).

Additional Tools Required: Hole saw, fine tooth saw blades (for non-circular holes), adhesive (See recommendations under finishing section), silicone caulk, grease pencil.

Hole Size

It is recommended that all holes for plumbing pass-throughs (drain lines, hot/cold water lines, dishwasher drain, etc) be cut within a 1/4" oversized from the pipe diameter. Due care should be exercised when cutting holes in the CoreGuard™ polymer materials — such that holes are cut cleanly and accurately.

Installation (Figure 1)

The Merillat CoreGuard™ Sink Base cabinet installs similarly to a standard sink base cabinet with the differences noted below.

Wood screws can be used to secure the polymer to the floor blocks for island/peninsula installations.

⚠ For an island/peninsula installation, the CoreGuard™ Sink Base cabinet must have a minimum of one (1) 15" base cabinet or larger installed adjacent to it in order for the island/peninsula to have adequate structural stability. **Standard wood shims can be used for leveling.**

⚠ In order to preserve water resistance, installing accessories that involve cutting or drilling holes is NOT recommended.

Sealing (Figure 2 & 3)

Standard clear silicone caulk can be used to seal the holes that were cut to accommodate pipes. Completely fill the gaps between the pipes and the CoreGuard™ Sink Base cabinet (figure 2). Caulk all interior seams in order to provide the greatest protection from minor leaks and spills (figure 3).

⚠ Failure to properly seal will result in leaks below the cabinet, which may cause floor damage and possible mold. If necessary, apply several layers of caulk to provide a sealed joint.

Figure 1

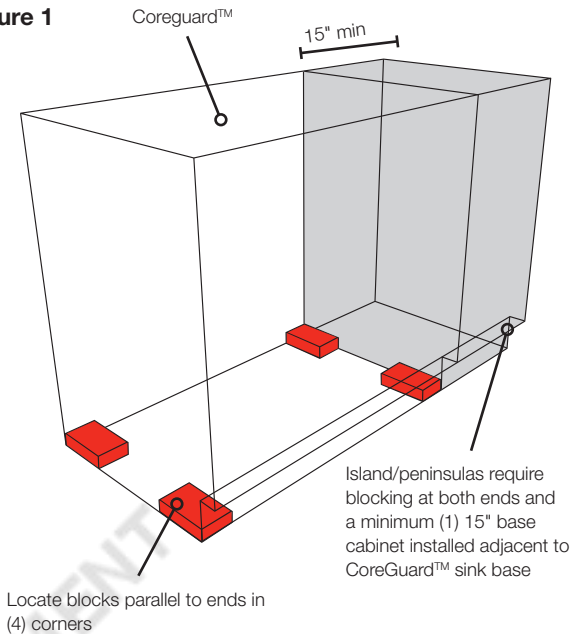


Figure 2

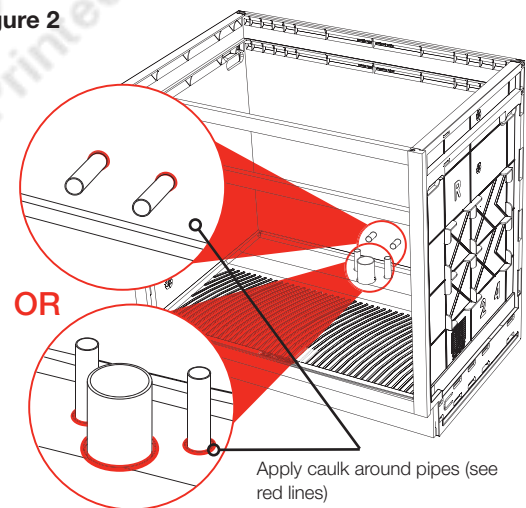
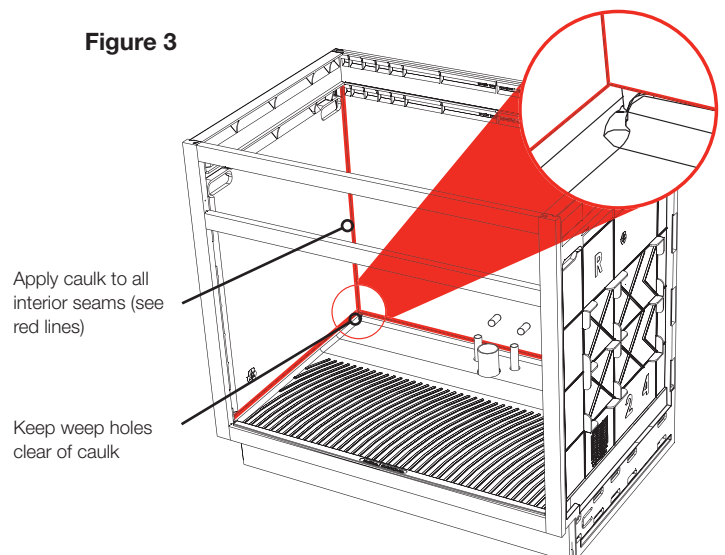


Figure 3



Finishing (Figure 4)

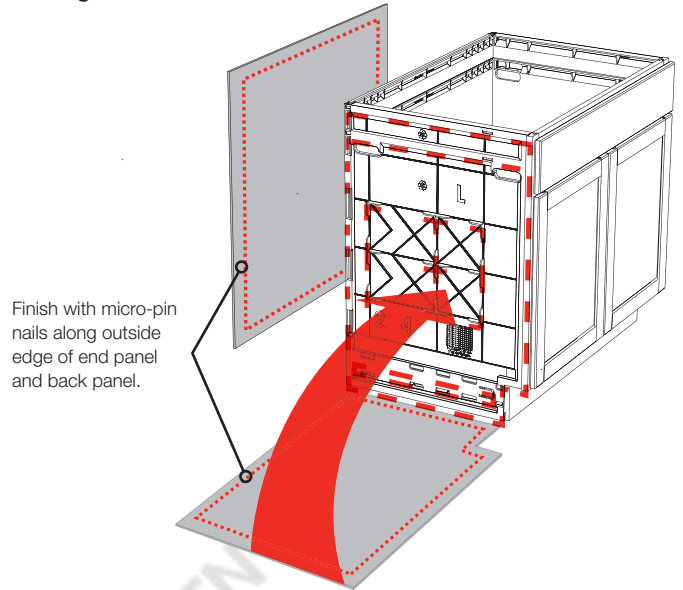
Install finished end panels, back panels and toe-kick cover using similar methods to standard wood cabinet installation.

Apply adhesive to edges and construction ribbons of the CoreGuard™ unit. Fasten all panels using up to 18 gauge finishing nails or micro-pins. Fasten back and end panels along perimeter, maximum 3" on center.

⚠ *Not all adhesives bond well to polymer. Below are the recommended adhesives. All adhesives must be installed per manufacturer specifications.*

1. Amazing Goop®
2. Liquid Nails® Heavy Duty

Figure 4



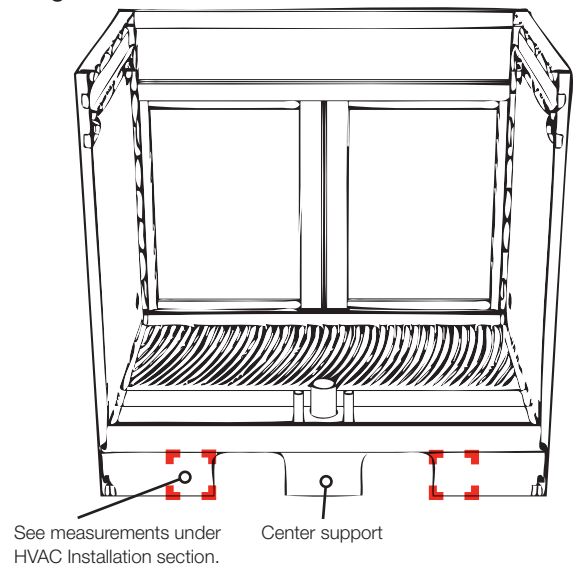
HVAC Installation (Figure 5)

The four base corner supports can be trimmed with a fine-tooth saw to accommodate duct installation. These supports can be trimmed up to:

- 4 1/2" per support for 36" wide CoreGuard cabinet
- 3" per support for 33" wide CoreGuard cabinet
- 1 1/2" per support for 30" wide CoreGuard cabinet

⚠ *In order to preserve the structural integrity of the cabinet, the center support should not be removed.*

Figure 5



Service (Figure 6)

Face Frame and Door Assembly for the CoreGuard™ Sink Base cabinet can be replaced if damaged. Remove the staples from inside the cabinet (and any screws that join the face frame to adjacent cabinet face frames). Tilt face frame forward and down to remove remaining staples from underside.

Install new face frame by using six (6) #8 x 5/8" long truss head screws (SCW#8x5/8TRSABZ10/CT), three per end panel.

Trimnable Replacement Back Panel material (CGPB36) is available to repair excessive gaps caused by improper cutting/drilling of pipe holes.

Figure 6

