

Selkirk Chimney Systems (USA Only - See separate instructions for Canada)

S-3

Installation Instructions

Covering - Round Top, Flashing, Storm

Read Sheet GS for important clearance and safety precautions before installing any of the parts described by this Sheet. Sheet GS is packaged with Supports.

IMPORTANT

Chimney Sizes 5", 6", 7" and 8" are Type HT.

WARNING

Failure to follow the installation instructions could cause **FIRE, CARBON MONOXIDE POISONING, OR DEATH.** If you are unsure of installation requirements, call the Phone Number listed on the instructions or visit www.selkirkcorp.com.

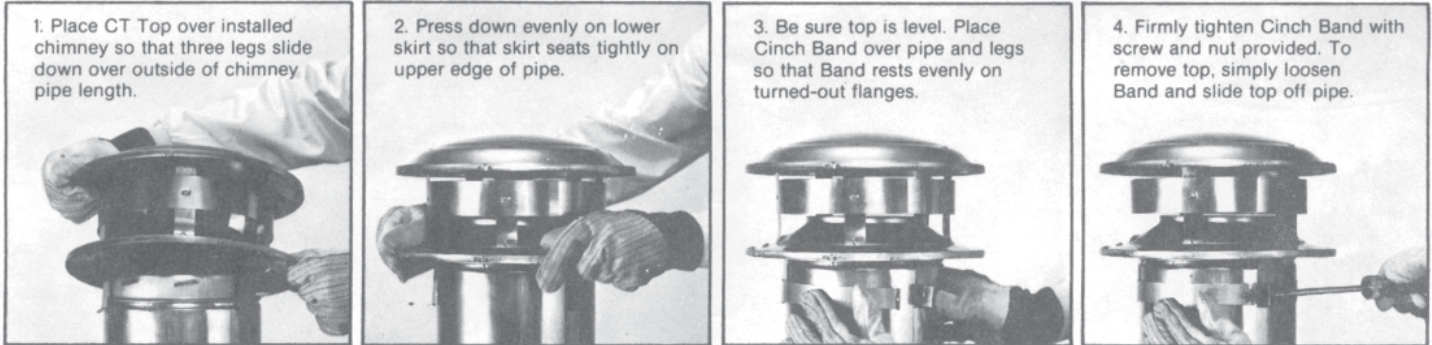


FIG. 1 INSTALLATION & REMOVAL OF CT TOP (ALSO SEE FIG. 5 FOR ALTERNATE TOP ATTACHMENT.)

FLASHINGS

- Part Nos.: TF Flat Roofs & up to 2/12
 AF6 2/12 to 6/12 pitch
 AF12 6/12 to 12/12 pitch
 AF24 12/12 to 24/12 pitch

ROOF SHIELD Included with TF flashing

STORM COLLAR Part No.: SC

Selkirk Chimney Systems flashings are provided with screened ventilation openings or slots at the top of the cone. In service these openings are protected from rain by the storm collar. **DO NOT SEAL THESE OPENINGS. Make sure the openings are not obstructed when installing the storm collar.**

In unoccupied attics, the flashing termination will provide a small amount of ventilation. If this ventilation is not desired, the underside of the roof or ceiling may be trimmed and closed with a Pitched Ceiling Plate (PCP) or a fitted metal plate.

All Selkirk Chimney Systems flashings have adequate interior space for a Roof Support (RSP). See Sheet S-4 for Roof Support details.

If you are installing a chimney with Flashing and Storm Collar, follow these steps:

1. Finish the chimney to its desired height. Maintain 2-inch clearance to combustibles where the chimney passes through the roof.
2. Place the Flashing suitable for the roof pitch over the chimney pipe and nail securely to the roof through side and top flanges. (DO NOT nail through lower flange.) Use nails with a neoprene washer, or cover the nail heads with a waterproof mastic. See illustration.
3. Finish roofing around chimney, covering the side and upper areas of

the flange with roofing material. However, be sure the lower unnailed portion of the flange covers the roofing material. See Fig. 2.

4. Place the Storm Collar down over the chimney until it touches the flashing. Tighten the adjusting screws or tabs until the Storm Collar fits snugly against the pipe. Work in a waterproof mastic between the pipe and the Storm Collar.

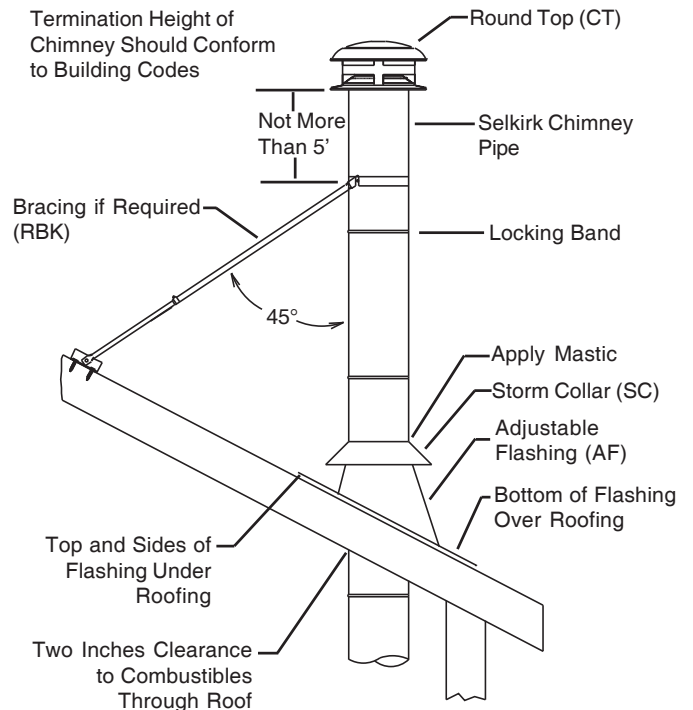


FIG. 2 CHIMNEY FLASHING & BRACING

BRACING REQUIREMENTS WHEN USING ROUND CHIMNEY ASSEMBLY

These requirements apply to roof-supported chimneys, using the Roof Support (RSP), and also to chimneys supported below the roof.

A. Up to four feet of chimney above the roof.

- NO bracing required above roof;
- BUT a roof supported chimney must be stabilized below the roof by a Pitched Ceiling Plate.
- Normally a chimney will be stabilized by its support or fire stop below.

REGARDLESS of height, if the chimney cannot be stabilized below the roof, use the Roof Brace Kit (RBK), or construct a suitable Bracing System.

B. Over 5 feet above the roof:

General Rule: Clamp the Support Band to the chimney at a point about 2/3'ds of height above the roof. The angle of the Support Braces to the chimney should be approx. 45 degrees. (See Fig. 2) Depending on roof slope and chimney height, it may be necessary to locate the Support Band at a height lower than the desired 2/3'ds. This is acceptable as long as the installation complies with the following:

- 1.) Never locate the Support Band lower than 1/2 of the height of the chimney above the roof.
- 2.) The height of the chimney above the Support Band does not exceed 5' (See Fig. 2).
- 3.) Do not extend Braces (which adjust from 4' to 7') farther than 7'. Some installations may require the use of more than one set of Braces.

C. Up to 10 feet above the roof, use one brace.

D. Over 10 feet above the roof, use one brace 4 feet up and one every five feet thereafter.

The preferred location for the Support Band is next to a joint, immediately above or below a locking band or the screws. The purpose of the bracing is to hold the chimney against wind loads. In areas of heavy snow or ice accumulation, the Braces and chimney may require additional protection such as a "Splitter" to prevent damage to the chimney system. Check with local chimney professionals to assess need / options for such product.

Steps:

1. Install Flashing and Storm Collar in usual manner. See Fig. 2.
2. Build chimney to desired height and locate external Guy Band at 1/2 H above the roof.
3. Bolt brace tubes to band and attach angle brackets to roof with lag screws into structure, bending brace and tabs as necessary. Braces should be at 45 degree angle to the chimney or at any convenient angle when at minimum length (4'-6' total). Included angle between the braces in plan should be 90 degrees.
4. Tighten end clamps on larger bracing tube.
5. The underside of the opening through an exposed ceiling may be trimmed with a flat metal plate (or pair of half-plates) cut to a round or elliptical opening to fit the chimney pipe, or use a Pitched Ceiling Plate (PCP).

SPARK ARRESTER (Part No. SA)

For 6" to 8" diameters a pre-formed Spark Arrester is available. See separate instructions packaged with the Spark Arrester.

For all other diameters, the expanded Spark Arrester is made of flexible expanded metal mesh of 18-8 stainless steel, with diamond shaped openings roughly 1/2 x 1 inch. Each size is cut to fit the same size Round Chimney Top (CT).

1. PLACE the pre-formed spark arrester directly over the dome and slide the spark arrester down.
2. Ensure that the top edge of the spark arrester is flush with the dome and the bottom of the spark arrester is flush with the edge of the skirt.

If the chimney is used for venting a gas appliance, use a spark arrester to keep birds out.

If the spark arrester becomes clogged with creosote, it should be cleaned or replaced.

IMPORTANT

Burning wood and coal produces creosote, soot, and fly ash which tend to collect in chimney flue and on termination parts causing reduced flow of gases through the chimney. Check top weekly for excessive accumulation of these normal combustion products and clean as necessary.

Use a spark arrester if you have a shingle roof or live in a forested area.

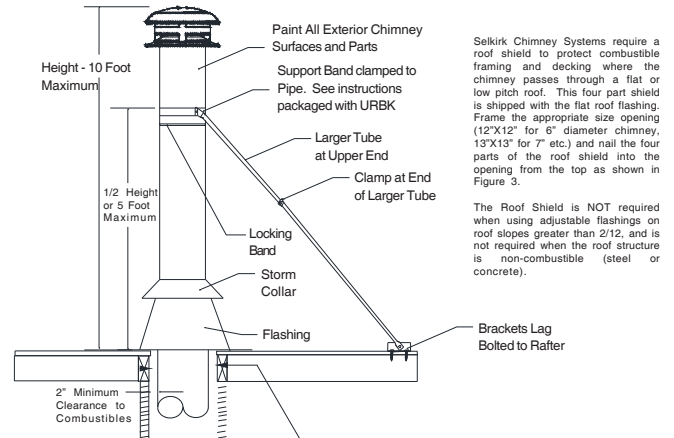


FIG. 3 ROUND CHIMNEY BRACING REQUIREMENTS USING 6", 7", OR 8" ROOF BRACE KIT OR EQUIVALENT METHOD

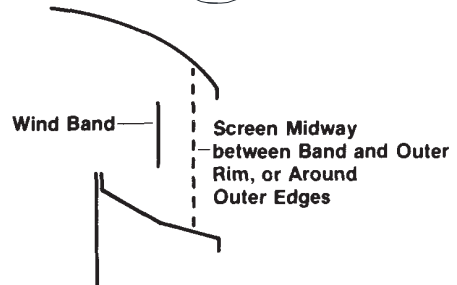
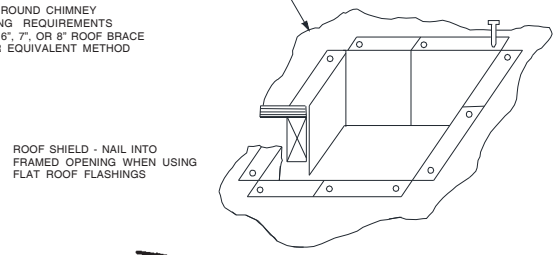


Fig. 4 PROPER LOCATION OF SPARK ARRESTER (SA) SCREEN IN CT TOP

Some Selkirk Tops (CT) have a nominal inch diameter expanding utility attachment adaptable to Selkirk Selkirk Chimney and other products of like internal diameter. To attach securely:

1. Loosen screw on top of collar and squeeze bottom to allow collar to enter pipe.
2. Press down evenly on lower skirt until it contacts upper end of pipe.
3. Tighten screw on collar to expand lower end and clamp to inside of pipe. Keep tightening screw until collar is expanded and fully tight.

