

Gallows Brackets provide support when removing an internal chimney breast.

- Supplied in pairs.

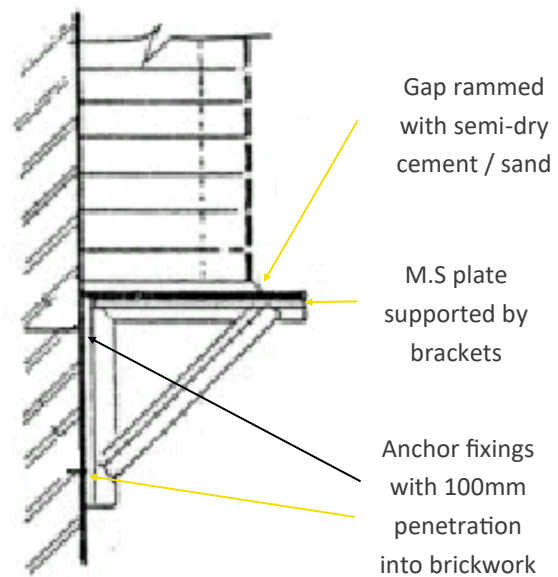
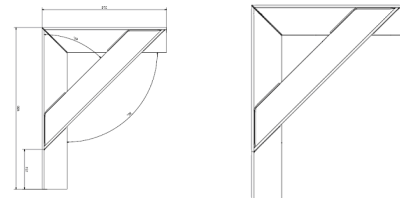
SPECIFICATION

- Horizontal and vertical angle 50 x 50 x 5mm.
- 45 degree angle 25 x 25 x 3mm.
- Holed for M12.

INSTALLATION

Please note that in general Gallows Brackets cannot be used if;

- The Wall to which they are to be fixed is less than 225mm thick, or
- The projection of the breast is more than 340mm (more than 150% of the thickness of the supporting wall), or
- The adjacent neighbours chimney breasts have already been removed or partially removed and gallows brackets installed, or
- The Brickwork or Mortar beds of the supporting walling are in poor condition.
- The chimney breast is located on an external flank wall and no external projection exists.
- Where Gallows Brackets are not being used, then a steel beam (s) will be required. If there are loadbearing walls either side of the chimney breast, then the Building Control Surveyor may be able to provide you with guidance on the type of beam and bearing which should be provided. In other cases a Structural Engineer should be employed to design a solution.
- Holed for M12, Anchor fixings to be used with a minimum 100mm penetration into brickwork.



Code	Product	Size (mm)
Painted - Red or Grey Primer		
GB375	Gallows Brackets	375 x 375
GB490	Gallows Brackets	490 x 375